



KILLARK[®]

Harsh and Hazardous Products

Full Line Catalog

www.hubbell.com/killark





Established in 1913, Killark, a member of the Hubbell Harsh & Hazardous group of companies, has become a global provider of harsh and hazardous location products. Our range encompasses industrial and explosion proof equipment engineered to perform in the most extreme environments.

Safety and reliability has been the cornerstone of our business for more than a century. We are dedicated to exceed customer needs with engineering solutions, new product development, and worldwide product accreditation.

Our dedication goes beyond products and services. Our Quality Systems conform to ISO 9001 : 2015. We are committed to sustainability, which is defined as **“meeting the needs of the present without compromising the ability of the future generations to meet their own needs.”** In 2010, Hubbell announced HSI – the Hubbell Sustainability Initiative – which is an enterprise-wide commitment to develop sustainable products and business practices.

Our mission is to:

Achieve an ongoing culture of environmental responsibility with our employees, community, and industry, implementing educational programs and sustainable practices.

Hubbell Harsh & Hazardous Brands

All of our brands are long established and well respected within each of their industries. Our primary products include lighting, control devices, motor control, power distribution systems, and connection products. Can't find exactly what you want in the catalog? We have a long history of manufacturing products to specific requirements, simply tell us what you need.

Chalmit[®]

HAWKE
International

KILLARK[®]

RIGPOWER

Vantage[®]
Technology

About this catalog

This Killark catalog is organized to help you quickly locate product and application information. Each product section begins with a contents page that lists all the items in the section. Each section is color coded. The table of contents is below.

INTRODUCTION

N1-N72
H1-H40

ENCLOSURES

Ei-E88

CONTROLS

Ci-C112

FITTINGS

Fi-F222

CONNECTIVITY

CNi-CN120

LIGHTING

Li-L134

DISTRIBUTION

DEi-DE56

STARTERS

Si-S24

Innovative thinking has made Killark an industry leader.

Killark is known for providing individual client solutions to complex environmental requirements. Reliable and proven technology, coupled with value added engineering enables lower total installation costs with a lifetime of savings.

INTRODUCTION

NUMERIC INDEX

Part #	SEC./PG	PROD. GRP.
170	F18	DURALOY 7 Series
270	F18	DURALOY 7 Series
370	F18	DURALOY 7 Series
470	F18	DURALOY 7 Series
570	F18	DURALOY 7 Series
670	F18	DURALOY 7 Series
870	F18	DURALOY 7 Series
970	F18	DURALOY 7 Series
1430	L59	NVL Series
4041	L42, L44, L46, L48	Floodlight Accessories
6038	E79	GR Series
6053	E79	GR Series
6058	E79	GR Series
6064	E79	GR Series
6074	E79	GR Series
15515	E69	EXB / EXBLT Series
15516	E69	EXB / EXBLT Series
15517	E69	EXB / EXBLT Series
17596	E69	EXB / EXBLT Series
17617	E69	EXB / EXBLT Series
17618	E69	EXB / EXBLT Series
17619	E69	EXB / EXBLT Series
17620	E69	EXB / EXBLT Series
17621	E69	EXB / EXBLT Series
17622	E69	EXB / EXBLT Series
17623	E69	EXB / EXBLT Series
17624	E69	EXB / EXBLT Series
20567	E69	EXB / EXBLT Series
22061	E69	EXB / EXBLT Series
4GRHD	E79	GR Series
8GRHD	E79	GR Series
00891896	C69	X/XS/XCS Series
00891898	C69	X/XS/XCS Series
150 W A-21 LAMP	L83	V Series
15722AAAB	E41	HKBX-TB Series
15722JABB	E39	HKBX Series
15722LABB	E44	HK/2HK Series
15871AABB	L83	V Series
170C	F18	DURALOY 7 Series
170CG	F18	DURALOY 7 Series
170CGSA	F18	DURALOY 7 Series
170CSA	F18	DURALOY 7 Series
170G	F18	DURALOY 7 Series
170GSA	F18	DURALOY 7 Series
170SA	F17	DURALOY 7 Series
17505AAAB	L95	EBB Series

Part #	SEC./PG	PROD. GRP.
180F	F27	DURALOY 8 Series
180S	F27	DURALOY 8 Series
1FA	F83	FS/FD Series
1FAC	F83	FS/FD Series
1FA-CP	F21	K-PAK
1FB	F83	FS/FD Series
1FBC	F83	FS/FD Series
1FG	F83	FS/FD Series
1FGC	F83	FS/FD Series
1FR	F83	FS/FD Series
1FRC	F83	FS/FD Series
1FT	F83	FS/FD Series
1FTC	F83	FS/FD Series
1FT-CP	F21	K-PAK
270C	F18	DURALOY 7 Series
270CG	F18	DURALOY 7 Series
270CGSA	F18	DURALOY 7 Series
270CSA	F18	DURALOY 7 Series
270G	F18	DURALOY 7 Series
270GSA	F18	DURALOY 7 Series
270SA	F18	DURALOY 7 Series
280F	F27	DURALOY 8 Series
280S	F27	DURALOY 8 Series
2FA	F83	FS/FD Series
2FAC	F83	FS/FD Series
2FB	F83	FS/FD Series
2FBC	F83	FS/FD Series
2FD-1	F77	2FS/2FD Series
2FD-1M	F77	2FS/2FD Series
2FD-2	F77	2FS/2FD Series
2FD-2M	F77	2FS/2FD Series
2FDC-1	F77	2FS/2FD Series
2FDC-1M	F77	2FS/2FD Series
2FDC-2	F77	2FS/2FD Series
2FDC-2M	F77	2FS/2FD Series
2FG	F83	FS/FD Series
2FGC	F83	FS/FD Series
2FR	F83	FS/FD Series
2FRC	F83	FS/FD Series
2FS-1	F77	2FS/2FD Series
2FS-1M	F77	2FS/2FD Series
2FS-2	F77	2FS/2FD Series
2FS-2M	F77	2FS/2FD Series
2FS-3	F77	2FS/2FD Series
2FS-3M	F77	2FS/2FD Series
2FSBC	F84	FZ/FCL-GF/FST Series

Part #	SEC./PG	PROD. GRP.
2FSBCM	F84	FZ/FCL-GF/FST Series
2FSC-1	F77	2FS/2FD Series
2FSC-1M	F77	2FS/2FD Series
2FSC-2	F77	2FS/2FD Series
2FSC-2M	F77	2FS/2FD Series
2FSD-1	F77	2FS/2FD Series
2FSD-1M	F77	2FS/2FD Series
2FSD-2	F77	2FS/2FD Series
2FSD-2M	F77	2FS/2FD Series
2FSRG	F83	FS/FD Series
2FST	F84	FZ/FCL-GF/FST Series
2FT	F83	FS/FD Series
2FTA	F83	FS/FD Series
2FTAC	F83	FS/FD Series
2FTC	F83	FS/FD Series
2GOU	F129	GE Series
2GRB	E79, E80	GR Series
2GRBD	E79	GR Series
2HKB	E44	HK/2HK Series
2HKB-B-2D	E44	HK/2HK Series
2HKB-B-2GLD	E44	HK/2HK Series
2HKB-B-4D	E44	HK/2HK Series
2HKB-B-B	E44	HK/2HK Series
2HKB-BC-2DC	E44	HK/2HK Series
2HKB-BC-2GLDC	E44	HK/2HK Series
2HKB-BC-4DC	E44	HK/2HK Series
2HKB-BC-BC	E44	HK/2HK Series
2HKB-BC-GLC	E44	HK/2HK Series
2HKB-B-GL	E44	HK/2HK Series
2KRS-215-120	CN55	KR Series
2KRS-215-220	CN55	KR Series
2KRS-215-320	CN55	KR Series
2KRS-218-120	CN55	KR Series
2KRS-218-220	CN55	KR Series
2KRS-218-320	CN55	KR Series
370C	F18	DURALOY 7 Series
370CG	F18	DURALOY 7 Series
370CGSA	F18	DURALOY 7 Series
370CSA	F18	DURALOY 7 Series
370G	F18	DURALOY 7 Series
370GSA	F18	DURALOY 7 Series
370SA	F18	DURALOY 7 Series
380F	F27	DURALOY 8 Series
380S	F27	DURALOY 8 Series
3FA	F83	FS/FD Series
3FB	F83	FS/FD Series

INTRODUCTION NUMERIC INDEX

Part #	SEC./PG	PROD. GRP.
3FSBC	F84	FZ/FCL-GF/FST Series
3FSRG	F83	FS/FD Series
3FST	F84	FZ/FCL-GF/FST Series
3FT	F83	FS/FD Series
3GRMD	F129	GE Series
470C	F18	DURALOY 7 Series
470CG	F18	DURALOY 7 Series
470CGSA	F18	DURALOY 7 Series
470CSA	F18	DURALOY 7 Series
470G	F18	DURALOY 7 Series
470GSA	F18	DURALOY 7 Series
470SA	F18	DURALOY 7 Series
480F	F27	DURALOY 8 Series
480S	F27	DURALOY 8 Series
4GOU	F129	GE Series
4GRB	E79, E80	GR Series
4GRBD	E79	GR Series
4GRH	E79, E80	GR Series
4GRHA	E79, E80	GR Series
4GRHC	E79, E80	GR Series
4GRHD	E79	GR Series
4GRK	E79, E80	GR Series
4GRKD	E79	GR Series
51698-1	E69	EXB / EXBLT Series
51705-1	E69	EXB / EXBLT Series
570C	F18	DURALOY 7 Series
570CG	F18	DURALOY 7 Series
570CGSA	F18	DURALOY 7 Series
570CSA	F18	DURALOY 7 Series
570G	F18	DURALOY 7 Series
570GSA	F18	DURALOY 7 Series
570SA	F18	DURALOY 7 Series
580F	F27	DURALOY 8 Series
580S	F27	DURALOY 8 Series
5GRM	E79, E80	GR Series
5GRMD	E79, F129	GR Series, GE Series
6086PAN	E79	GR Series
670C	F18	DURALOY 7 Series
670CG	F18	DURALOY 7 Series
670CGSA	F18	DURALOY 7 Series
670CSA	F18	DURALOY 7 Series
670G	F18	DURALOY 7 Series
670GSA	F18	DURALOY 7 Series
670SA	F18	DURALOY 7 Series
680F	F27	DURALOY 8 Series
680S	F27	DURALOY 8 Series

Part #	SEC./PG	PROD. GRP.
75 W A-19 LAMP	L83	V Series
7988-1	E69	EXB / EXBLT Series
7988-4	E69	EXB / EXBLT Series
7995-1	E69	EXB / EXBLT Series
7995-2	E69	EXB / EXBLT Series
7996-1	E69	EXB / EXBLT Series
7996-2	E69	EXB / EXBLT Series
7997-1	E69	EXB / EXBLT Series
7997-5	E69	EXB / EXBLT Series
7997-6	E69	EXB / EXBLT Series
8000-1	E69	EXB / EXBLT Series
870C	F18	DURALOY 7 Series
870CG	F18	DURALOY 7 Series
870CGSA	F18	DURALOY 7 Series
870CSA	F18	DURALOY 7 Series
870G	F18	DURALOY 7 Series
870GSA	F18	DURALOY 7 Series
870SA	F18	DURALOY 7 Series
880F	F27	DURALOY 8 Series
880S	F27	DURALOY 8 Series
8GRH	E79, E80	GR Series
8GRHA	E79, E80	GR Series
8GRHC	E79, E80	GR Series
8GRHD	E79	GR Series
970C	F18	DURALOY 7 Series
970CG	F18	DURALOY 7 Series
970CGSA	F18	DURALOY 7 Series
970CSA	F18	DURALOY 7 Series
970G	F18	DURALOY 7 Series
970GSA	F18	DURALOY 7 Series
970SA	F18	DURALOY 7 Series
980F	F27	DURALOY 8 Series
980S	F27	DURALOY 8 Series
ADUP-01	F157	R/RE/ADUP Series
ADUP-12	F157	R/RE/ADUP Series
ADUP-23	F157	R/RE/ADUP Series
AF-100	F58	AF/AF8 Series
AF-125	F58	AF/AF8 Series
AF-150	F58	AF/AF8 Series
AF-200	F58	AF/AF8 Series
AF-250	F58	AF/AF8 Series
AF-300	F58	AF/AF8 Series
AF-350	F58	AF/AF8 Series
AF-400	F58	AF/AF8 Series
AF-50	F58	AF/AF8 Series
AF-500	F58	AF/AF8 Series

Part #	SEC./PG	PROD. GRP.
AF-75	F58	AF/AF8 Series
AF8-100	F58	AF/AF8 Series
AF8-125	F58	AF/AF8 Series
AF8-150	F58	AF/AF8 Series
AF8-200	F58	AF/AF8 Series
AF8-250	F58	AF/AF8 Series
AF8-300	F58	AF/AF8 Series
AF8-350	F58	AF/AF8 Series
AF8-400	F58	AF/AF8 Series
AF8-50	F58	AF/AF8 Series
AF8-75	F58	AF/AF8 Series
AF-B1516-612SL-XX	CN66	Explosionproof Starline
AF-B1516-621SL-XX	CN66	Explosionproof Starline
AF-B1516-633SL-XX	CN66	Explosionproof Starline
AF-B1516-640SL-XX	CN66	Explosionproof Starline
AF-B1516-655SL-XX	CN66	Explosionproof Starline
AF-B1516-676SL-XX	CN66	Explosionproof Starline
AF-B1516-677SL-XX	CN66	Explosionproof Starline
AF-B1516-681SL-XX	CN66	Explosionproof Starline
AF-B1520-613SL-XX	CN66	Explosionproof Starline
AF-B1520-632SL-XX	CN66	Explosionproof Starline
AF-B1520-650SL-XX	CN66	Explosionproof Starline
AF-B1520-676SL-XX	CN66	Explosionproof Starline
AF-B1520-686SL-XX	CN66	Explosionproof Starline
AF-B1520-687SL-XX	CN66	Explosionproof Starline
AF-B1520-688SL-XX	CN66	Explosionproof Starline
AF-B1524-613SL-XX	CN66	Explosionproof Starline
AF-B1716-612SL- FH	CN65	Explosionproof Starline
AF-B1716-612SL-L36	CN66	Explosionproof Starline
AF-B1716-621SL- FH	CN65	Explosionproof Starline
AF-B1716-621SL-L36	CN66	Explosionproof Starline
AF-B1716-633SL- FH	CN65	Explosionproof Starline
AF-B1716-633SL-L36	CN66	Explosionproof Starline
AF-B1716-640SL- FH	CN65	Explosionproof Starline
AF-B1716-640SL-L36	CN66	Explosionproof Starline
AF-B1716-655SL- FH	CN65	Explosionproof Starline
AF-B1716-655SL-L36	CN66	Explosionproof Starline
AF-B1716-676SL- FH	CN65	Explosionproof Starline
AF-B1716-676SL-L36	CN66	Explosionproof Starline
AF-B1716-677SL- FH	CN65	Explosionproof Starline
AF-B1716-677SL-L36	CN66	Explosionproof Starline
AF-B1716-681SL-FH	CN65	Explosionproof Starline
AF-B1716-681SL-L36	CN66	Explosionproof Starline
AF-B1720-613SL- FH	CN65	Explosionproof Starline
AF-B1720-613SL-L36	CN66	Explosionproof Starline
AF-B1720-632SL- FH	CN65	Explosionproof Starline

INTRODUCTION

NUMERIC INDEX

Part #	SEC./PG	PROD. GRP.
AF-B1720-632SL-L36	CN66	Explosionproof Starline
AF-B1720-650SL- FH	CN65	Explosionproof Starline
AF-B1720-650SL-L36	CN66	Explosionproof Starline
AF-B1720-676SL- FH	CN65	Explosionproof Starline
AF-B1720-676SL-L36	CN66	Explosionproof Starline
AF-B1720-686SL- FH	CN65	Explosionproof Starline
AF-B1720-686SL-L36	CN66	Explosionproof Starline
AF-B1720-687SL- FH	CN65	Explosionproof Starline
AF-B1720-687SL-L36	CN66	Explosionproof Starline
AF-B1720-688SL- FH	CN65	Explosionproof Starline
AF-B1720-688SL-L36	CN66	Explosionproof Starline
AF-B1724-613SL-BK	CN65	Explosionproof Starline
AF-B1724-613SL-L36	CN66	Explosionproof Starline
AF-B1916-612SL-L48	CN66	Explosionproof Starline
AF-B1916-621SL-L48	CN66	Explosionproof Starline
AF-B1916-633SL-L48	CN66	Explosionproof Starline
AF-B1916-640SL-L48	CN66	Explosionproof Starline
AF-B1916-655SL-L48	CN66	Explosionproof Starline
AF-B1916-676SL-L48	CN66	Explosionproof Starline
AF-B1916-677SL-L48	CN66	Explosionproof Starline
AF-B1916-681SL-L48	CN66	Explosionproof Starline
AF-B1920-613SL-L48	CN66	Explosionproof Starline
AF-B1920-632SL-L48	CN66	Explosionproof Starline
AF-B1920-650SL-L48	CN66	Explosionproof Starline
AF-B1920-676SL-L48	CN66	Explosionproof Starline
AF-B1920-686SL-L48	CN66	Explosionproof Starline
AF-B1920-687SL-L48	CN66	Explosionproof Starline
AF-B1920-688SL-L48	CN66	Explosionproof Starline
AF-B1924-613SL-L48	CN66	Explosionproof Starline
AF-D1016-612PL-TC	CN65	Explosionproof Starline
AF-D1016-612PL-XX	CN65	Explosionproof Starline
AF-D1016-621PL-TC	CN65	Explosionproof Starline
AF-D1016-621PL-XX	CN65	Explosionproof Starline
AF-D1016-633PL-TC	CN65	Explosionproof Starline
AF-D1016-633PL-XX	CN65	Explosionproof Starline
AF-D1016-640PL-TC	CN65	Explosionproof Starline
AF-D1016-640PL-XX	CN65	Explosionproof Starline
AF-D1016-655PL-TC	CN65	Explosionproof Starline
AF-D1016-655PL-XX	CN65	Explosionproof Starline
AF-D1016-676PL-TC	CN65	Explosionproof Starline
AF-D1016-676PL-XX	CN65	Explosionproof Starline
AF-D1016-677PL-TC	CN65	Explosionproof Starline
AF-D1016-677PL-XX	CN65	Explosionproof Starline
AF-D1016-681PL-TC	CN65	Explosionproof Starline
AF-D1016-681PL-XX	CN65	Explosionproof Starline
AF-D1020-613PL-TC	CN65	Explosionproof Starline

Part #	SEC./PG	PROD. GRP.
AF-D1020-613PL-XX	CN65	Explosionproof Starline
AF-D1020-632PL-TC	CN65	Explosionproof Starline
AF-D1020-632PL-XX	CN65	Explosionproof Starline
AF-D1020-650PL-TC	CN65	Explosionproof Starline
AF-D1020-650PL-XX	CN65	Explosionproof Starline
AF-D1020-676PL-TC	CN65	Explosionproof Starline
AF-D1020-676PL-XX	CN65	Explosionproof Starline
AF-D1020-686PL-TC	CN65	Explosionproof Starline
AF-D1020-686PL-XX	CN65	Explosionproof Starline
AF-D1020-687PL-TC	CN65	Explosionproof Starline
AF-D1020-687PL-XX	CN65	Explosionproof Starline
AF-D1020-688PL-TC	CN65	Explosionproof Starline
AF-D1020-688PL-XX	CN65	Explosionproof Starline
AF-D1024-613PL-TC	CN65	Explosionproof Starline
AF-D1024-613PL-XX	CN65	Explosionproof Starline
AFDF-100	F65	AFDF Combo Series
AFDF-125	F65	AFDF Combo Series
AFDF-150	F65	AFDF Combo Series
AFDF-200	F65	AFDF Combo Series
AFDF-250	F65	AFDF Combo Series
AFDF-300	F65	AFDF Combo Series
AFDF-350	F65	AFDF Combo Series
AFDF-400	F65	AFDF Combo Series
AFDF-50	F65	AFDF Combo Series
AFDF-500	F65	AFDF Combo Series
AFDF-75	F65	AFDF Combo Series
AJ-100125-14	F58, F60	AF/AF8, AJ/AJE Series
AJ-100125-24	F58, F59, F60	AF/AF8, TAF, AJ/AJE Series
AJ-150200-14	F58, F60	AF/AF8, AJ/AJE Series
AJ-150200-24	F58, F59, F60	AF/AF8, TAF, AJ/AJE Series
AJ-250300-14	F58, F60	AF/AF8, AJ/AJE Series
AJ-250300-24	F58, F59, F60	AF/AF8, TAF, AJ/AJE Series
AJ-350400-14	F58, F60	AF/AF8, AJ/AJE Series
AJ-350400-24	F58, F59, F60	AF/AF8, TAF, AJ/AJE Series
AJ-500600-14	F58, F60	AF/AF8, AJ/AJE Series
AJ-500600-24	F58, F60	AF/AF8, AJ/AJE Series
AJ-5075-14	F58, F60	AF/AF8, AJ/AJE Series
AJ-5075-24	F58, F59, F60	AF/AF8, TAF, AJ/AJE Series
AJAC-4	CN57	KR Series
AJAC-5	CN57	KR Series
AJAC-6	CN57	KR Series
AJAT-4	CN57	KR Series
AJAT-5	CN57	KR Series

Part #	SEC./PG	PROD. GRP.
AJC-2	CN55, CN56	KR Series
AJC-3	CN55, CN56	KR Series
AJE-100125-16	F60	AJ/AJE Series
AJE-100125-24	F60	AJ/AJE Series
AJE-150200-16	F60	AJ/AJE Series
AJE-150200-24	F60	AJ/AJE Series
AJE-250300-16	F60	AJ/AJE Series
AJE-250300-24	F60	AJ/AJE Series
AJE-350400-16	F60	AJ/AJE Series
AJE-350400-24	F60	AJ/AJE Series
AJE-500600-16	F60	AJ/AJE Series
AJE-500600-24	F60	AJ/AJE Series
AJE-5075-16	F60	AJ/AJE Series
AJE-5075-24	F60	AJ/AJE Series
AN-1	F150	AN Series
AN-10	F150	AN Series
AN-10-EX	F150	AN Series
AN-10S	F150	AN Series
AN-10S-EX	F150	AN Series
AN-11	F150	AN Series
AN-11S	F150	AN Series
AN-12	F150	AN Series
AN-12S	F150	AN Series
AN-1B	F150	AN Series
AN-1B-EX	F150	AN Series
AN-1BS	F150	AN Series
AN-1BS-EX	F150	AN Series
AN-1-EX	F150	AN Series
AN-1S	F150	AN Series
AN-1S-EX	F150	AN Series
AN-2	F150	AN Series
AN-2B	F150	AN Series
AN-2B-EX	F150	AN Series
AN-2BS	F150	AN Series
AN-2BS-EX	F150	AN Series
AN-2-EX	F150	AN Series
AN-2S	F150	AN Series
AN-2S-EX	F150	AN Series
AN-3	F150	AN Series
AN-3-EX	F150	AN Series
AN-3S	F150	AN Series
AN-3S-EX	F150	AN Series
AN-4	F150	AN Series
AN-4-EX	F150	AN Series
AN-4S	F150	AN Series
AN-4S-EX	F150	AN Series

INTRODUCTION NUMERIC INDEX

Part #	SEC./PG	PROD. GRP.
AN-5	F150	AN Series
AN-5-EX	F150	AN Series
AN-5S	F150	AN Series
AN-5S-EX	F150	AN Series
AN-6	F150	AN Series
AN-6-EX	F150	AN Series
AN-6S	F150	AN Series
AN-6S-EX	F150	AN Series
AN-7	F150	AN Series
AN-7-EX	F150	AN Series
AN-7S	F150	AN Series
AN-7S-EX	F150	AN Series
AN-8	F150	AN Series
AN-8-EX	F150	AN Series
AN-8S	F150	AN Series
AN-8S-EX	F150	AN Series
AN-9	F150	AN Series
AN-9-EX	F150	AN Series
AN-9S	F150	AN Series
AN-9S-EX	F150	AN Series
AUX	S23	EXB70 Series
B7010HB	S4	B7 Series
B7010HG	S4	B7 Series
B7010HK	S4	B7 Series
B7010HM	S4	B7 Series
B7011	S7	B7 Series
B7011HB	S4	B7 Series
B7011HG	S4	B7 Series
B7011HK	S4	B7 Series
B7011HM	S4	B7 Series
B7012	S7	B7 Series
B7012HB	S4	B7 Series
B7012HG	S4	B7 Series
B7012HK	S4	B7 Series
B7012HM	S4	B7 Series
B7013	S7	B7 Series
B7013HB	S4	B7 Series
B7013HG	S4	B7 Series
B7013HK	S4	B7 Series
B7013HM	S4	B7 Series
B7014	S7	B7 Series
B7014HB	S4	B7 Series
B7014HG	S4	B7 Series
B7014HK	S4	B7 Series
B7014HM	S4	B7 Series
B7020HBCA	S5	B7 Series

Part #	SEC./PG	PROD. GRP.
B7020HBCB	S5	B7 Series
B7020HBCC	S5	B7 Series
B7020HGCB	S5	B7 Series
B7020HGCC	S5	B7 Series
B7020HKCA	S5	B7 Series
B7020HKCB	S5	B7 Series
B7020HKCC	S5	B7 Series
B7020HMCA	S5	B7 Series
B7020HMCB	S5	B7 Series
B7020HMCC	S5	B7 Series
B7021	S7	B7 Series
B7021HBCC	S5	B7 Series
B7021HBCF	S5	B7 Series
B7021HGCF	S5	B7 Series
B7021HKCF	S5	B7 Series
B7021HMCF	S5	B7 Series
B7022	S7	B7 Series
B7022HBCK	S5	B7 Series
B7022HBCM	S5	B7 Series
B7022HGCK	S5	B7 Series
B7022HGCM	S5	B7 Series
B7022HKCK	S5	B7 Series
B7022HMCK	S5	B7 Series
B7023	S7	B7 Series
B7023HBCQ	S5	B7 Series
B7023HGCO	S5	B7 Series
B7023HKCO	S5	B7 Series
B7023HMCQ	S5	B7 Series
B7024	S7	B7 Series
B7024HBCT	S5	B7 Series
B7024HGCT	S5	B7 Series
B7024HKCT	S5	B7 Series
B7024HMCT	S5	B7 Series
B7025A2	S6	B7 Series
B7025A4	S6	B7 Series
B7025C2	S6	B7 Series
B7025C4	S6	B7 Series
B7025CBCMCPJ250	S5	B7 Series
B7025CBCMCPK400	S5	B7 Series
B7025CGCMCPJ250	S5	B7 Series
B7025CGCMCPK400	S5	B7 Series
B7025CKCMCPJ250	S5	B7 Series
B7025CKCMCPK400	S5	B7 Series
B7025CMCMCPJ250	S5	B7 Series
B7025CMCMCPK400	S5	B7 Series
B7025G2	S6	B7 Series

Part #	SEC./PG	PROD. GRP.
B7025G4	S6	B7 Series
B7025S2	S6	B7 Series
B7025S4	S6	B7 Series
B7025W2	S6	B7 Series
B7025W4	S6	B7 Series
B7AD020H6CA	S9	B7 Series
B7AD020H6CB	S9	B7 Series
B7AD020H6CC	S9	B7 Series
B7AD021H6CF	S9	B7 Series
B7AD022H6CK	S9	B7 Series
B7AD023H6CQ	S9	B7 Series
B7AD024H6CT	S9	B7 Series
B7AD025H6K400	S9	B7 Series
B7BLA1000	DE23, DE29	B7L, D2LC Series
B7BLA1010	DE29	D2LC Series
B7BLA1015	DE23, DE29	B7L, D2LC Series
B7BLA1020	DE23, DE29	B7L, D2LC Series
B7BLA1025	DE29	D2LC Series
B7BLA1030	DE23, DE29	B7L, D2LC Series
B7BLA1035	DE29	D2LC Series
B7BLA1040	DE23, DE29	B7L, D2LC Series
B7BLA1045	DE29	D2LC Series
B7BLA1050	DE23, DE29	B7L, D2LC Series
B7BLA1055	DE29	D2LC Series
B7BLA1060	DE23, DE29	B7L, D2LC Series
B7BLA1070	DE23, DE29	B7L, D2LC Series
B7BLA1100	DE23, DE29	B7L, D2LC Series
B7BLA2000	DE23, DE30	B7L, D2LC Series
B7BLA2010	DE30	D2LC Series
B7BLA2015	DE23, DE30	B7L, D2LC Series
B7BLA2020	DE23, DE30	B7L, D2LC Series
B7BLA2025	DE30	D2LC Series
B7BLA2030	DE23, DE30	B7L, D2LC Series
B7BLA2035	DE30	D2LC Series
B7BLA2040	DE23, DE30	B7L, D2LC Series
B7BLA2045	DE30	D2LC Series
B7BLA2050	DE23, DE30	B7L, D2LC Series
B7BLA2055	DE30	D2LC Series
B7BLA2060	DE23, DE30	B7L, D2LC Series
B7BLA2070	DE23, DE30	B7L, D2LC Series
B7BLA2080	DE30	D2LC Series
B7BLA2090	DE23, DE30	B7L, D2LC Series
B7BLA2100	DE23, DE30	B7L, D2LC Series
B7BLA2110	DE30	D2LC Series
B7BLA2125	DE30	D2LC Series
B7BLB3000	DE23, DE30	B7L, D2LC Series

INTRODUCTION

NUMERIC INDEX

Part #	SEC./PG	PROD. GRP.
B7BLB3010	DE30	D2LC Series
B7BLB3015	DE23, DE30	B7L, D2LC Series
B7BLB3020	DE23, DE30	B7L, D2LC Series
B7BLB3025	DE30	D2LC Series
B7BLB3030	DE23, DE30	B7L, D2LC Series
B7BLB3035	DE30	D2LC Series
B7BLB3040	DE23, DE30	B7L, D2LC Series
B7BLB3045	DE30	D2LC Series
B7BLB3050	DE23, DE30	B7L, D2LC Series
B7BLB3055	DE30	D2LC Series
B7BLB3060	DE23, DE30	B7L, D2LC Series
B7BLB3070	DE23, DE30	B7L, D2LC Series
B7BLB3080	DE30	D2LC Series
B7BLB3090	DE23, DE30	B7L, D2LC Series
B7BLB3100	DE23, DE30	B7L, D2LC Series
B7BLB3110	DE30	D2LC Series
B7BLB3125	DE30	D2LC Series
B7BLC1000	DE23, DE29	B7L, D2LC Series
B7BLC1015	DE23, DE29	B7L, D2LC Series
B7BLC1020	DE23, DE29	B7L, D2LC Series
B7BLC1025	DE29	D2LC Series
B7BLC1030	DE23, DE29	B7L, D2LC Series
B7BLC1040	DE23, DE29	B7L, D2LC Series
B7BLC2000	DE23, DE30	B7L, D2LC Series
B7BLC2015	DE23, DE30	B7L, D2LC Series
B7BLC2020	DE23, DE30	B7L, D2LC Series
B7BLC2025	DE30	D2LC Series
B7BLC2030	DE23, DE30	B7L, D2LC Series
B7BLC2040	DE23, DE30	B7L, D2LC Series
B7BLC2050	DE23, DE30	B7L, D2LC Series
B7BLD1000	DE23, DE29	B7L, D2LC Series
B7BLD1015	DE23, DE29	B7L, D2LC Series
B7BLD1020	DE23, DE29	B7L, D2LC Series
B7BLD1030	DE23, DE29	B7L, D2LC Series
B7BLD1040	DE23, DE29	B7L, D2LC Series
B7BLD1050	DE23, DE29	B7L, D2LC Series
B7BLD1060	DE23, DE29	B7L, D2LC Series
B7BLD2000	DE23, DE30	B7L, D2LC Series
B7BLD2015	DE23, DE30	B7L, D2LC Series
B7BLD2020	DE23, DE30	B7L, D2LC Series
B7BLD2030	DE23, DE30	B7L, D2LC Series
B7BLD2040	DE23, DE30	B7L, D2LC Series
B7BLD2050	DE23, DE30	B7L, D2LC Series
B7BLD2060	DE23, DE30	B7L, D2LC Series
B7BLE1000	DE23, DE29	B7L, D2LC Series
B7BLE1015	DE23, DE29	B7L, D2LC Series

Part #	SEC./PG	PROD. GRP.
B7BLE1020	DE23, DE29	B7L, D2LC Series
B7BLE1025	DE29	D2LC Series
B7BLE1030	DE23, DE29	B7L, D2LC Series
B7BLE1040	DE23, DE29	B7L, D2LC Series
B7BLE2000	DE23, DE30	B7L, D2LC Series
B7BLE2015	DE23, DE30	B7L, D2LC Series
B7BLE2020	DE23, DE30	B7L, D2LC Series
B7BLE2025	DE30	D2LC Series
B7BLE2030	DE23, DE30	B7L, D2LC Series
B7BLE2040	DE23, DE30	B7L, D2LC Series
B7BLE2050	DE23, DE30	B7L, D2LC Series
B7BLF2000	DE23, DE30	B7L, D2LC Series
B7BLF2015	DE23, DE30	B7L, D2LC Series
B7BLF2020	DE23, DE30	B7L, D2LC Series
B7BLF2030	DE23, DE30	B7L, D2LC Series
B7BLF3000	DE23, DE30	B7L, D2LC Series
B7BLF3015	DE23, DE30	B7L, D2LC Series
B7BLF3020	DE23, DE30	B7L, D2LC Series
B7BLF3030	DE23, DE30	B7L, D2LC Series
B7BLG1000	DE29	D2LC Series
B7BLG1010	DE29	D2LC Series
B7BLG1015	DE29	D2LC Series
B7BLG1020	DE29	D2LC Series
B7BLG1025	DE29	D2LC Series
B7BLG1030	DE29	D2LC Series
B7BLG1035	DE29	D2LC Series
B7BLG1040	DE29	D2LC Series
B7BLG1045	DE29	D2LC Series
B7BLG1050	DE29	D2LC Series
B7BLG1055	DE29	D2LC Series
B7BLG1060	DE29	D2LC Series
B7BLG1070	DE29	D2LC Series
B7BLG2000	DE30	D2LC Series
B7BLG2010	DE30	D2LC Series
B7BLG2010H	DE30	D2LC Series
B7BLG2015	DE30	D2LC Series
B7BLG2015H	DE30	D2LC Series
B7BLG2020	DE30	D2LC Series
B7BLG2020H	DE30	D2LC Series
B7BLG2025	DE30	D2LC Series
B7BLG2025H	DE30	D2LC Series
B7BLG2030	DE30	D2LC Series
B7BLG2030H	DE30	D2LC Series
B7BLG2035	DE30	D2LC Series
B7BLG2035H	DE30	D2LC Series
B7BLG2040	DE30	D2LC Series

Part #	SEC./PG	PROD. GRP.
B7BLG2040H	DE30	D2LC Series
B7BLG2045	DE30	D2LC Series
B7BLG2045H	DE30	D2LC Series
B7BLG2050	DE30	D2LC Series
B7BLG2050H	DE30	D2LC Series
B7BLG2055	DE30	D2LC Series
B7BLG2055H	DE30	D2LC Series
B7BLG2060	DE30	D2LC Series
B7BLG2060H	DE30	D2LC Series
B7BLG2070	DE30	D2LC Series
B7BLG2070H	DE30	D2LC Series
B7BLG2080	DE30	D2LC Series
B7BLG2080H	DE30	D2LC Series
B7BLG2090	DE30	D2LC Series
B7BLG2090H	DE30	D2LC Series
B7BLG2100	DE30	D2LC Series
B7BLG2100H	DE30	D2LC Series
B7BLG2110	DE30	D2LC Series
B7BLG2110H	DE30	D2LC Series
B7BLG2125	DE30	D2LC Series
B7BLG2125H	DE30	D2LC Series
B7BLG3000	DE30	D2LC Series
B7BLG3010H	DE30	D2LC Series
B7BLG3015H	DE30	D2LC Series
B7BLG3020H	DE30	D2LC Series
B7BLG3025H	DE30	D2LC Series
B7BLG3030H	DE30	D2LC Series
B7BLG3035H	DE30	D2LC Series
B7BLG3040H	DE30	D2LC Series
B7BLG3045H	DE30	D2LC Series
B7BLG3050H	DE30	D2LC Series
B7BLG3055H	DE30	D2LC Series
B7BLG3060H	DE30	D2LC Series
B7BLG3070H	DE30	D2LC Series
B7BLG3080H	DE30	D2LC Series
B7BLG3090H	DE30	D2LC Series
B7BLG3100H	DE30	D2LC Series
B7BLG3110H	DE30	D2LC Series
B7BLG3125H	DE30	D2LC Series
B7CA	DE5, DE7	B7C Series
B7CA-AXT1-43015	DE6	B7C Series
B7CA-AXT1-44015	DE6	B7C Series
B7CA-AXT1-63015	DE6	B7C Series
B7CA-AXT1-63020	DE6	B7C Series
B7CA-AXT1-63025	DE6	B7C Series
B7CA-AXT1-63030	DE6	B7C Series

INTRODUCTION

NUMERIC INDEX

Part #..... SEC./PG PROD. GRP.

B7CC-SJDL-62200.....	DE6	B7C Series
B7CC-SJDL-62225.....	DE6	B7C Series
B7CC-SJDL-62250.....	DE6	B7C Series
B7CC-SJDL-63150.....	DE6	B7C Series
B7CC-SJDL-63175.....	DE6	B7C Series
B7CC-SJDL-63200.....	DE6	B7C Series
B7CC-SJDL-63225.....	DE6	B7C Series
B7CC-SJDL-63250.....	DE6	B7C Series
B7CC-WJDB-62125.....	DE6	B7C Series
B7CC-WJDB-62150.....	DE6	B7C Series
B7CC-WJDB-62175.....	DE6	B7C Series
B7CC-WJDB-62200.....	DE6	B7C Series
B7CC-WJDB-62225.....	DE6	B7C Series
B7CC-WJDB-62250.....	DE6	B7C Series
B7CC-WJDB-63125.....	DE6	B7C Series
B7CC-WJDB-63150.....	DE6	B7C Series
B7CC-WJDB-63175.....	DE6	B7C Series
B7CC-WJDB-63200.....	DE6	B7C Series
B7CC-WJDB-63225.....	DE6	B7C Series
B7CC-WJDB-63250.....	DE6	B7C Series
B7CD.....	DE5, DE7	B7C Series
B7CD-AT5N-63300.....	DE6	B7C Series
B7CD-AT5N-63400.....	DE6	B7C Series
B7CD-AT5N-64300.....	DE6	B7C Series
B7CD-AT5N-64400.....	DE6	B7C Series
B7CD-AXT4N-63250.....	DE6	B7C Series
B7CD-AXT4N-64250.....	DE6	B7C Series
B7CD-SJDL-62250.....	DE6	B7C Series
B7CD-SJDL-63250.....	DE6	B7C Series
B7CD-SLDL-62400.....	DE6	B7C Series
B7CD-SLDL-63400.....	DE6	B7C Series
B7CD-WKD-62250.....	DE6	B7C Series
B7CD-WKD-62300.....	DE6	B7C Series
B7CD-WKD-62350.....	DE6	B7C Series
B7CD-WKD-62400.....	DE6	B7C Series
B7CD-WKD-63250.....	DE6	B7C Series
B7CD-WKD-63300.....	DE6	B7C Series
B7CD-WKD-63350.....	DE6	B7C Series
B7CD-WKD-63400.....	DE6	B7C Series
B7CE.....	DE5, DE7	B7C Series
B7CE-SLDL-62600.....	DE6	B7C Series
B7CE-SLDL-63600.....	DE6	B7C Series
B7CE-WLD-62400.....	DE6	B7C Series
B7CE-WLD-62500.....	DE6	B7C Series
B7CE-WLD-62600.....	DE6	B7C Series
B7CE-WLD-63400.....	DE6	B7C Series

Part #..... SEC./PG PROD. GRP.

B7CE-WLD-63500.....	DE6	B7C Series
B7CE-WLD-63600.....	DE6	B7C Series
B7CF.....	DE5, DE7	B7C Series
B7CF-AT6N-63600.....	DE6	B7C Series
B7CF-AT6N-63800.....	DE6	B7C Series
B7CF-AT6N-64600.....	DE6	B7C Series
B7CF-AT6N-64800.....	DE6	B7C Series
B7CF-AT7N-631000.....	DE6	B7C Series
B7CF-AT7N-631200.....	DE6	B7C Series
B7CF-AT7N-641000.....	DE6	B7C Series
B7CF-AT7N-641200.....	DE6	B7C Series
B7CF-SPDL-621200.....	DE6	B7C Series
B7CF-SPDL-631200.....	DE6	B7C Series
B7CF-WND-621000.....	DE6	B7C Series
B7CF-WND-621200.....	DE6	B7C Series
B7CF-WND-62600.....	DE6	B7C Series
B7CF-WND-62700.....	DE6	B7C Series
B7CF-WND-62800.....	DE6	B7C Series
B7CF-WND-631000.....	DE6	B7C Series
B7CF-WND-631200.....	DE6	B7C Series
B7CF-WND-63600.....	DE6	B7C Series
B7CF-WND-63700.....	DE6	B7C Series
B7CF-WND-63800.....	DE6	B7C Series
B7CGRND.....	DE7	B7C Series
B7C-SN1.....	DE7	B7C Series
B7C-SN2.....	DE7	B7C Series
B7C-SN3.....	DE7	B7C Series
B7C-SN4.....	DE7	B7C Series
B7EA.....	E73	B7E Series
B7EB.....	E73	B7E Series
B7EC.....	E73	B7E Series
B7ED.....	E73	B7E Series
B7EE.....	E73	B7E Series
B7EF.....	E73	B7E Series
B7EG.....	E73	B7E Series
B7EH.....	E73	B7E Series
B7EK.....	E73	B7E Series
B7EL.....	E73	B7E Series
B7EM.....	E73	B7E Series
B7EN.....	E73	B7E Series
B7EP.....	E73, E76	B7E, B7EP, B7EQ Series
B7EQ.....	E73, E76	B7E, B7EP, B7EQ Series
B7EYEBOLT.....	DE23, DE26	B7L, D2LC Series
B7GSN.....	DE23, DE26	B7L, D2LC Series
B7L20 - 112 - ML100.....	DE22	B7L Series
B7L20 - 312 - ML100.....	DE22	B7L Series

Part #..... SEC./PG PROD. GRP.

B7L29 - 112 - MBB100.....	DE22	B7L Series
B7L29 - 112 - MBE100.....	DE22	B7L Series
B7L29 - 118 - MBB100.....	DE22	B7L Series
B7L29 - 118 - ML100.....	DE22	B7L Series
B7L29 - 118 - ML225.....	DE22	B7L Series
B7L29 - 124 - ML100.....	DE22	B7L Series
B7L29 - 312 - MBB100.....	DE22	B7L Series
B7L29 - 312 - MBE100.....	DE22	B7L Series
B7L29 - 318 - MBB100.....	DE22	B7L Series
B7L29 - 318 - ML100.....	DE22	B7L Series
B7L29 - 318 - ML225.....	DE22	B7L Series
B7L29 - 324 - ML100.....	DE22	B7L Series
B7L41 - 118 - MBE100.....	DE22	B7L Series
B7L41 - 124 - MBB100.....	DE22	B7L Series
B7L41 - 124 - MBC225.....	DE22	B7L Series
B7L41 - 124 - MBE100.....	DE22	B7L Series
B7L41 - 124 - ML225.....	DE22	B7L Series
B7L41 - 130 - MBB100.....	DE22	B7L Series
B7L41 - 130 - MBC225.....	DE22	B7L Series
B7L41 - 130 - MBE100.....	DE22	B7L Series
B7L41 - 130 - ML100.....	DE22	B7L Series
B7L41 - 130 - ML225.....	DE22	B7L Series
B7L41 - 136 - ML225.....	DE22	B7L Series
B7L41 - 142 - ML225.....	DE22	B7L Series
B7L41 - 318 - MBE100.....	DE22	B7L Series
B7L41 - 324 - MBB100.....	DE22	B7L Series
B7L41 - 324 - MBC225.....	DE22	B7L Series
B7L41 - 324 - MBE100.....	DE22	B7L Series
B7L41 - 324 - ML225.....	DE22	B7L Series
B7L41 - 330 - MBB100.....	DE22	B7L Series
B7L41 - 330 - MBC225.....	DE22	B7L Series
B7L41 - 330 - MBE100.....	DE22	B7L Series
B7L41 - 330 - ML100.....	DE22	B7L Series
B7L41 - 330 - ML225.....	DE22	B7L Series
B7L41 - 336 - ML225.....	DE22	B7L Series
B7L41 - 342 - ML225.....	DE22	B7L Series
B7L50 - 136 - MBC225.....	DE22	B7L Series
B7L50 - 142 - MBC225.....	DE22	B7L Series
B7L50 - 336 - MBC225.....	DE22	B7L Series
B7L50 - 342 - MBC225.....	DE22	B7L Series
B7ML225.....	DE23	B7L Series
B7MLBTM.....	DE23	B7L Series
B7MS1.....	S14	B7MS Series
B7MS1PS-1.....	S15	B7MS Series
B7MS1PS-10.....	S15	B7MS Series
B7MS1PS-11.....	S15	B7MS Series

INTRODUCTION NUMERIC INDEX

Part #	SEC./PG	PROD. GRP.
B7MS1PS-2	S15	B7MS Series
B7MS1PS-3	S15	B7MS Series
B7MS1PS-4	S15	B7MS Series
B7MS1PS-5	S15	B7MS Series
B7MS1PS-6	S15	B7MS Series
B7MS1PS-7	S15	B7MS Series
B7MS1PS-8	S15	B7MS Series
B7MS1PS-9	S15	B7MS Series
B7MS1RA-1	S15	B7MS Series
B7MS1RA-10	S15	B7MS Series
B7MS1RA-2	S15	B7MS Series
B7MS1RA-3	S15	B7MS Series
B7MS1RA-4	S15	B7MS Series
B7MS1RA-5	S15	B7MS Series
B7MS1RA-6	S15	B7MS Series
B7MS1RA-7	S15	B7MS Series
B7MS1RA-8	S15	B7MS Series
B7MS1RA-9	S15	B7MS Series
B7MS1RS-1	S15	B7MS Series
B7MS1RS-10	S15	B7MS Series
B7MS1RS-2	S15	B7MS Series
B7MS1RS-3	S15	B7MS Series
B7MS1RS-4	S15	B7MS Series
B7MS1RS-5	S15	B7MS Series
B7MS1RS-6	S15	B7MS Series
B7MS1RS-7	S15	B7MS Series
B7MS1RS-8	S15	B7MS Series
B7MS1RS-9	S15	B7MS Series
B7MS2	S14	B7MS Series
B7MS2RA-12	S15	B7MS Series
B7MS2RA-13	S15	B7MS Series
B7MS2RA-14	S15	B7MS Series
B7MS2RA-15	S15	B7MS Series
B7MS2RA-16	S15	B7MS Series
B7MS2RA-17	S15	B7MS Series
B7MS2RA-18	S15	B7MS Series
B7MS2RS-11	S15	B7MS Series
B7MS2RS-12	S15	B7MS Series
B7MS2RS-13	S15	B7MS Series
B7MS2RS-14	S15	B7MS Series
B7MS2RS-15	S15	B7MS Series
B7MS2RS-16	S15	B7MS Series
B7MS2RS-17	S15	B7MS Series
B7MS2RS-18	S15	B7MS Series
B7MSN2P	S17	B7MSN Series
B7MSN2PC0B	S17	B7MSN Series

Part #	SEC./PG	PROD. GRP.
B7MSN2PC0C	S17	B7MSN Series
B7MSN2PC1B	S17	B7MSN Series
B7MSN2PC1C	S17	B7MSN Series
B7MSN2PS0B	S17	B7MSN Series
B7MSN2PS0C	S17	B7MSN Series
B7MSN2PS0V	S17	B7MSN Series
B7MSN2PS1B	S17	B7MSN Series
B7MSN2PS1C	S17	B7MSN Series
B7MSN2PS1V	S17	B7MSN Series
B7MSN2PSDB	S17	B7MSN Series
B7NFD1	DE13	B7NFD Series
B7NFD13A	DE13	B7NFD Series
B7NFD16A	DE13	B7NFD Series
B7NFD2	DE13	B7NFD Series
B7NFD21A	DE13	B7NFD Series
B7NFD25A	DE13	B7NFD Series
B7NFD26A	DE13	B7NFD Series
B7NFD32A	DE13	B7NFD Series
B7NFD63A	DE13	B7NFD Series
B7NFD80A	DE13	B7NFD Series
B7PLR220	C106	G Series
B7PLR440	C106	G Series
B7PLR550	C106	G Series
B7SF	DE7, DE23, DE26	B7C, B7L, D2LC Series
B7SPNPT	DE7, DE23	B7C, B7L Series
BKF131830	L72	NV2 Series
BKF26324230	L72	NV2 Series
BL-90-1	F159	FF/MF/MM/BL/GUFS/Y/ EYMF Series
BL-90-1-EX	F160	FF/MF/MM/BL/GUFS/Y/ EYMF Series
BL-90-1M	F159	FF/MF/MM/BL/GUFS/Y/ EYMF Series
BL-90-1M-EX	F160	FF/MF/MM/BL/GUFS/Y/ EYMF Series
BL-90-2	F159	FF/MF/MM/BL/GUFS/Y/ EYMF Series
BL-90-2-EX	F160	FF/MF/MM/BL/GUFS/Y/ EYMF Series
BL-90-2M	F159	FF/MF/MM/BL/GUFS/Y/ EYMF Series
BL-90-2M-EX	F160	FF/MF/MM/BL/GUFS/Y/ EYMF Series
BL-90-3	F159	FF/MF/MM/BL/GUFS/Y/ EYMF Series
BL-90-3-EX	F160	FF/MF/MM/BL/GUFS/Y/ EYMF Series
BL-90-3M	F159	FF/MF/MM/BL/GUFS/Y/ EYMF Series
BL-90-3M-EX	F160	FF/MF/MM/BL/GUFS/Y/ EYMF Series

Part #	SEC./PG	PROD. GRP.
BUIG1	F89	RIGID/IMC
BUIG10	F89	RIGID/IMC
BUIG11	F89	RIGID/IMC
BUIG12	F89	RIGID/IMC
BUIG2	F89	RIGID/IMC
BUIG3	F89	RIGID/IMC
BUIG4	F89	RIGID/IMC
BUIG5	F89	RIGID/IMC
BUIG6	F89	RIGID/IMC
BUIG7	F89	RIGID/IMC
BUIG8	F89	RIGID/IMC
BUIG9	F89	RIGID/IMC
C107	F16	DURALOY 7 Series
C107SA	F16	DURALOY 7 Series
C17	F16	DURALOY 7 Series
C17SA	F16	DURALOY 7 Series
C18	F23	DURALOY 8 Series
C27	F16	DURALOY 7 Series
C27SA	F16	DURALOY 7 Series
C28	F23	DURALOY 8 Series
C28SS	F36	Stainless Steel Conduit Bodies
C37	F16	DURALOY 7 Series
C37SA	F16	DURALOY 7 Series
C38	F23	DURALOY 8 Series
C38SS	F36	Stainless Steel Conduit Bodies
C448	F23	DURALOY 8 Series
C47	F16	DURALOY 7 Series
C47SA	F16	DURALOY 7 Series
C57	F16	DURALOY 7 Series
C57SA	F16	DURALOY 7 Series
C58	F23	DURALOY 8 Series
C58SS	F36	Stainless Steel Conduit Bodies
C67	F16	DURALOY 7 Series
C67SA	F16	DURALOY 7 Series
C68	F23	DURALOY 8 Series
C68SS	F36	Stainless Steel Conduit Bodies
C77	F16	DURALOY 7 Series
C77SA	F16	DURALOY 7 Series
C78	F23	DURALOY 8 Series
C87	F16	DURALOY 7 Series
C87SA	F16	DURALOY 7 Series
C88	F23	DURALOY 8 Series
C97	F16	DURALOY 7 Series
C97SA	F16	DURALOY 7 Series

INTRODUCTION

NUMERIC INDEX

Part #.....	SEC./PG	PROD. GRP.	Part #.....	SEC./PG	PROD. GRP.	Part #.....	SEC./PG	PROD. GRP.
CG100100S.....	F174	CG Series	CGB239.....	F199	CGB Series	COLR-2CG	F21, F30	K-PAK, CO & TW Series
CG100125S.....	F174	CG Series	CGB255.....	F199	CGB Series	COLR-3CG	F21, F30	K-PAK, CO & TW Series
CG112125S.....	F174	CG Series	CGB339.....	F199	CGB Series	COLR-4CG	F30	CO & TW Series
CG115150S.....	F174	CG Series	CGB355.....	F199	CGB Series	COLR-5CG	F30	CO & TW Series
CG1238S.....	F174	CG Series	CGB386.....	F199	CGB Series	COLR-6CG	F30	CO & TW Series
CG1250S.....	F174	CG Series	CGB4102.....	F199	CGB Series	COT-1CG	F21, F31	K-PAK, CO & TW Series
CG125125S.....	F174	CG Series	CGB455.....	F199	CGB Series	COT-2CG	F21, F31	K-PAK, CO & TW Series
CG1275S.....	F174	CG Series	CGB486.....	F199	CGB Series	COT-3CG	F21, F31	K-PAK, CO & TW Series
CG128150S.....	F174	CG Series	CGB5102.....	F199	CGB Series	COT-4CG	F31	CO & TW Series
CG137125S.....	F174	CG Series	CGB5138.....	F199	CGB Series	COT-5CG	F31	CO & TW Series
CG153200S.....	F174	CG Series	CGB586.....	F199	CGB Series	COT-6CG	F31	CO & TW Series
CG1838S.....	F174	CG Series	CGB6102.....	F199	CGB Series	CS-444-B	CN115	QUICK STAB Series
CG1850S.....	F174	CG Series	CGB6138.....	F199	CGB Series	CS-444-C	CN115	QUICK STAB Series
CG1965250S.....	F174	CG Series	CGB6181.....	F199	CGB Series	CS-444-H	CN115	QUICK STAB Series
CG2060200S.....	F174	CG Series	CGB7138.....	F199	CGB Series	CS-535-B	CN115	QUICK STAB Series
CG2187250S.....	F174	CG Series	CGB7181.....	F199	CGB Series	CS-535-C	CN115	QUICK STAB Series
CG2360250S.....	F174	CG Series	CGB7236.....	F199	CGB Series	CS-535-H	CN115	QUICK STAB Series
CG2365300S.....	F174	CG Series	CGB8181.....	F199	CGB Series	CS-646-B	CN115	QUICK STAB Series
CG2565250S.....	F174	CG Series	CGB8236.....	F199	CGB Series	CS-646-C	CN115	QUICK STAB Series
CG2575S.....	F174	CG Series	CGB8295.....	F199	CGB Series	CS-646-H	CN115	QUICK STAB Series
CG2755300S.....	F174	CG Series	CJB-AL.....	F97	SPARTAN POLE	CS-777-B	CN115	QUICK STAB Series
CG2985300S.....	F174	CG Series	CL-1	F68	CL/CLM/SOLB Series	CS-777-C	CN115	QUICK STAB Series
CG3138S.....	F174	CG Series	CL-2	F68	CL/CLM/SOLB Series	CS-777-H	CN115	QUICK STAB Series
CG31501S.....	F174	CG Series	CL-3	F68	CL/CLM/SOLB Series	CUP-0	F146	CUP/PLUG Series
CG3150S.....	F174	CG Series	CLM-1	F68	CL/CLM/SOLB Series	CUP-1	F146	CUP/PLUG Series
CG3220300S.....	F174	CG Series	CLM-2	F68	CL/CLM/SOLB Series	CUP-1-EX.....	F147	CUP/PLUG Series
CG37100S.....	F174	CG Series	CLM-3	F68	CL/CLM/SOLB Series	CUP-2	F146	CUP/PLUG Series
CG3750S.....	F174	CG Series	COC-1CG.....	F21, F29	K-PAK, CO & TW Series	CUP-2-EX.....	F147	CUP/PLUG Series
CG3775S.....	F174	CG Series	COC-2CG.....	F21, F29	K-PAK, CO & TW Series	CUP-3	F146	CUP/PLUG Series
CG50100S.....	F174	CG Series	COC-3CG.....	F21, F29	K-PAK, CO & TW Series	CUP-375	F146	CUP/PLUG Series
CG5050S.....	F174	CG Series	COC-4CG.....	F29	CO & TW Series	CUP-3-EX.....	F147	CUP/PLUG Series
CG5075S.....	F174	CG Series	COC-5CG.....	F29	CO & TW Series	CUP-4	F146	CUP/PLUG Series
CG62100S.....	F174	CG Series	COC-6CG.....	F29	CO & TW Series	CUP-4-EX.....	F147	CUP/PLUG Series
CG6250S.....	F174	CG Series	COLB-1CG.....	F21, F29	K-PAK, CO & TW Series	CUP-5	F146	CUP/PLUG Series
CG6275S.....	F174	CG Series	COLB-2CG.....	F21, F29	K-PAK, CO & TW Series	CUP-5-EX.....	F147	CUP/PLUG Series
CG75100S.....	F174	CG Series	COLB-3CG.....	F21, F29	K-PAK, CO & TW Series	CUP-6	F146	CUP/PLUG Series
CG75125S.....	F174	CG Series	COLB-4CG.....	F29	CO & TW Series	CUP-6-EX.....	F147	CUP/PLUG Series
CG7575S.....	F174	CG Series	COLB-5CG.....	F29	CO & TW Series	CUP-7	F146	CUP/PLUG Series
CG87100S.....	F174	CG Series	COLB-6CG.....	F29	CO & TW Series	CUP-7-EX.....	F147	CUP/PLUG Series
CG87125S.....	F174	CG Series	COLL-1CG	F21, F30	K-PAK, CO & TW Series	CUP-8	F146	CUP/PLUG Series
CGB0236.....	F199	CGB Series	COLL-2CG.....	F21, F30	K-PAK, CO & TW Series	CUP-8-EX.....	F147	CUP/PLUG Series
CGB0295.....	F199	CGB Series	COLL-3CG.....	F21, F30	K-PAK, CO & TW Series	CUP-9	F146	CUP/PLUG Series
CGB0334.....	F199	CGB Series	COLL-4CG.....	F30	CO & TW Series	CUPX-0	F148	CUP/PLUG Series
CGB115.....	F199	CGB Series	COLL-5CG.....	F30	CO & TW Series	CUPX-1	F148	CUP/PLUG Series
CGB139.....	F199	CGB Series	COLL-6CG.....	F30	CO & TW Series	CUPX-2	F148	CUP/PLUG Series
CGB215.....	F199	CGB Series	COLR-1CG	F21, F30	K-PAK, CO & TW Series	CUPX-250	F148	CUP/PLUG Series

INTRODUCTION

NUMERIC INDEX

Part #.....	SEC./PG	PROD. GRP.
CUPX-3.....	F148	CUP/PLUG Series
CUPX-4.....	F148	CUP/PLUG Series
CUPX-5.....	F148	CUP/PLUG Series
CUPX-6.....	F148	CUP/PLUG Series
CUPX-7.....	F148	CUP/PLUG Series
CUPX-8.....	F148	CUP/PLUG Series
CUPX-9.....	F148	CUP/PLUG Series
D2CL-142-MB225.....	DE27	D2LC Series
D2CL-142-ML225.....	DE27	D2LC Series
D2CL-342-MB225.....	DE27	D2LC Series
D2CL-342-ML225.....	DE27	D2LC Series
D2LC-112-MB100.....	DE27	D2LC Series
D2LC-112-ML100.....	DE27	D2LC Series
D2LC-118-MB225.....	DE27	D2LC Series
D2LC-118-ML225.....	DE27	D2LC Series
D2LC-124-MB225.....	DE27	D2LC Series
D2LC-124-ML225.....	DE27	D2LC Series
D2LC-130-MB225.....	DE27	D2LC Series
D2LC-130-ML225.....	DE27	D2LC Series
D2LC-136-MB225.....	DE27	D2LC Series
D2LC-136-ML225.....	DE27	D2LC Series
D2LC-312-MB100.....	DE27	D2LC Series
D2LC-312-ML100.....	DE27	D2LC Series
D2LC-318-MB225.....	DE27	D2LC Series
D2LC-318-ML225.....	DE27	D2LC Series
D2LC-324-MB225.....	DE27	D2LC Series
D2LC-324-ML225.....	DE27	D2LC Series
D2LC-330-MB225.....	DE27	D2LC Series
D2LC-330-ML225.....	DE27	D2LC Series
D2LC-336-MB225.....	DE27	D2LC Series
D2LC-336-ML225.....	DE27	D2LC Series
DAG-100.....	L69, L85	DVL, DV Series
DAG-200.....	L85	DV Series
DCGE-10.....	L69, L85	DVL, DV Series
DCGE-20.....	L85	DV Series
DEDS-100.....	DE9	DEDS Series
DEDS-100A.....	DE9	DEDS Series
DEDS-100AA.....	DE9	DEDS Series
DEDS-30.....	DE9	DEDS Series
DEDS-30A.....	DE9	DEDS Series
DEDS-30AA.....	DE9	DEDS Series
DEDS-60.....	DE9	DEDS Series
DEDS-60A.....	DE9	DEDS Series
DEDS-60AA.....	DE9	DEDS Series
DEDS-A.....	DE9	DEDS Series
DEDS-B.....	DE9	DEDS Series

Part #.....	SEC./PG	PROD. GRP.
DF-100.....	F63	DF Series
DF-125.....	F63	DF Series
DF-150.....	F63	DF Series
DF-200.....	F63	DF Series
DF-250.....	F63	DF Series
DF-300.....	F63	DF Series
DF-350.....	F63	DF Series
DF-400.....	F63	DF Series
DF-50.....	F63	DF Series
DF-500.....	F63	DF Series
DF-600.....	F63	DF Series
DF-75.....	F63	DF Series
DS-350-B.....	CN115	QUICK STAB Series
DS-350-C.....	CN115	QUICK STAB Series
DS-350-H.....	CN115	QUICK STAB Series
DT-002.....	CN102	RMPH Series
DVA1.....	L69	DVL Series
DVA-110.....	L85	DV Series
DVA-120.....	L85	DV Series
DVA2.....	L69	DVL Series
DVA-210.....	L85	DV Series
DVA-220.....	L85	DV Series
DVB1.....	L69	DVL Series
DVB2.....	L69	DVL Series
DVL 1327.....	L69	DVL Series
DVL 1330.....	L69	DVL Series
DVL 1627.....	L69	DVL Series
DVL 1630.....	L69	DVL Series
DVL1330.....	L69	DVL Series
DVL1330A1G.....	L69	DVL Series
DVL1330A2G.....	L69	DVL Series
DVL1330B1G.....	L69	DVL Series
DVL1330B2G.....	L69	DVL Series
DVL1330X1G.....	L69	DVL Series
DVL1330X2G.....	L69	DVL Series
DVL1630.....	L69	DVL Series
DVL1630A1G.....	L69	DVL Series
DVL1630A2G.....	L69	DVL Series
DVL1630B1G.....	L69	DVL Series
DVL1630B2G.....	L69	DVL Series
DVL1630X1G.....	L69	DVL Series
DVL1630X2G.....	L69	DVL Series
DVX1.....	L69	DVL Series
DVX-110.....	L85	DV Series
DVX-120.....	L85	DV Series
DVX2.....	L69	DVL Series

Part #.....	SEC./PG	PROD. GRP.
DVX-210.....	L85	DV Series
DVX-220.....	L85	DV Series
E17.....	F15	DURALOY 7 Series
E17SA.....	F15	DURALOY 7 Series
E27.....	F15	DURALOY 7 Series
E27SA.....	F15	DURALOY 7 Series
E37.....	F15	DURALOY 7 Series
E37SA.....	F15	DURALOY 7 Series
EAAP-C2.....	L37	EAC/EACH Series
EAC.....	L37	EAC/EACH Series
EAC/EACH.....	L32	EML Series
EAC-1.....	F48	E Series
EAC-10.....	F48	E Series
EAC-10CG.....	F54	E Series
EAC-1CGN.....	F54	E Series
EAC-2.....	F48	E Series
EAC-2CGN.....	F54	E Series
EAC-3.....	F48	E Series
EAC-3CGN.....	F54	E Series
EAC-4.....	F48	E Series
EAC-4CGN.....	F54	E Series
EAC-5.....	F48	E Series
EAC-5CGN.....	F54	E Series
EAC-6.....	F48	E Series
EAC-6CGN.....	F54	E Series
EAC-7.....	F48	E Series
EAC-7CG.....	F54	E Series
EAC-8.....	F48	E Series
EAC-8CG.....	F54	E Series
EAC-9.....	F48	E Series
EAC-9CG.....	F54	E Series
EACH12.....	L37	EAC/EACH Series
EACH16.....	L37	EAC/EACH Series
EALB-1.....	F48	E Series
EALB-10.....	F48	E Series
EALB-10.....	F49	E Series
EALB-10CG.....	F55	E Series
EALB-10CGN.....	F54	E Series
EALB-1CGN.....	F54	E Series
EALB-2.....	F48	E Series
EALB-2CGN.....	F54	E Series
EALB-3.....	F48	E Series
EALB-3CGN.....	F54	E Series
EALB-4.....	F48	E Series
EALB-4CGN.....	F54	E Series
EALB-5.....	F48	E Series

INTRODUCTION
NUMERIC INDEX

Part #	SEC./PG	PROD. GRP.
EALB-5CGN.....	F54	E Series
EALB-6.....	F48	E Series
EALB-6CGN.....	F54	E Series
EALB-7.....	F48	E Series
EALB-7CGN.....	F54	E Series
EALB-8.....	F48	E Series
EALB-8CGN.....	F54	E Series
EALB-9.....	F48	E Series
EALB-9CGN.....	F54	E Series
EALL-1.....	F49	E Series
EALL-10.....	F49	E Series
EALL-10CG.....	F55	E Series
EALL-1CGN.....	F55	E Series
EALL-2.....	F49	E Series
EALL-2CGN.....	F55	E Series
EALL-3.....	F49	E Series
EALL-3CGN.....	F55	E Series
EALL-4.....	F49	E Series
EALL-4CGN.....	F55	E Series
EALL-5.....	F49	E Series
EALL-5CGN.....	F55	E Series
EALL-6.....	F49	E Series
EALL-6CGN.....	F55	E Series
EALL-7.....	F49	E Series
EALL-7CG.....	F55	E Series
EALL-8.....	F49	E Series
EALL-8CG.....	F55	E Series
EALL-9.....	F49	E Series
EALL-9CG.....	F55	E Series
EALR-1.....	F49	E Series
EALR-10.....	F49	E Series
EALR-10CG.....	F55	E Series
EALR-1CGN.....	F55	E Series
EALR-2.....	F49	E Series
EALR-2CGN.....	F55	E Series
EALR-3.....	F49	E Series
EALR-3CGN.....	F55	E Series
EALR-4.....	F49	E Series
EALR-4CGN.....	F55	E Series
EALR-5.....	F49	E Series
EALR-5CGN.....	F55	E Series
EALR-6.....	F49	E Series
EALR-6CGN.....	F55	E Series
EALR-7.....	F49	E Series
EALR-7CG.....	F55	E Series
EALR-8.....	F49	E Series

Part #	SEC./PG	PROD. GRP.
EALR-8CG.....	F55	E Series
EALR-9.....	F49	E Series
EALR-9CG.....	F55	E Series
EASLB-1.....	F52	E Series
EASLB-2.....	F52	E Series
EASLB-3.....	F52	E Series
EASLB-4.....	F52	E Series
EASLB-5.....	F52	E Series
EASLB-6.....	F52	E Series
EAT-1.....	F49	E Series
EAT-1CGN.....	F55	E Series
EAT-2.....	F49	E Series
EAT-2CGN.....	F55	E Series
EAT-3.....	F49	E Series
EAT-3CGN.....	F55	E Series
EAT-4.....	F49	E Series
EAT-4CGN.....	F55	E Series
EAT-5.....	F49	E Series
EAT-5CGN.....	F55	E Series
EAT-6.....	F49	E Series
EAT-6CGN.....	F55	E Series
EAT-7.....	F49	E Series
EAT-7CG.....	F55	E Series
EAT-8.....	F49	E Series
EAT-8CG.....	F55	E Series
EAT-9.....	F49	E Series
EAT-9CG.....	F55	E Series
EBB32010A2.....	L95	EBB Series
EBB32010A3.....	L95	EBB Series
EBB32010B2.....	L95	EBB Series
EBB32010B3.....	L95	EBB Series
EBB32010X3.....	L95	EBB Series
EBB-BC.....	L95	EBB Series
EBB-L12.....	L95	EBB Series
EBB-PL.....	L95	EBB Series
EBB-RB.....	L95	EBB Series
EBB-TRANS.....	L95	EBB Series
EBC-1.....	F50	E Series
EBC-2.....	F50	E Series
EBC-3.....	F50	E Series
EBC-4.....	F50	E Series
EBC-5.....	F50	E Series
EBC-6.....	F50	E Series
EBLB-1.....	F50	E Series
EBLB-10.....	F50	E Series
EBLB-2.....	F50	E Series

Part #	SEC./PG	PROD. GRP.
EBLB-3.....	F50	E Series
EBLB-4.....	F50	E Series
EBLB-5.....	F50	E Series
EBLB-6.....	F50	E Series
EBLB-7.....	F50	E Series
EBLB-8.....	F50	E Series
EBLB-9.....	F50	E Series
EBLL-1.....	F51	E Series
EBLL-2.....	F51	E Series
EBLL-3.....	F51	E Series
EBLL-4.....	F51	E Series
EBLL-5.....	F51	E Series
EBLL-6.....	F51	E Series
EBLR-1.....	F51	E Series
EBLR-2.....	F51	E Series
EBLR-3.....	F51	E Series
EBLR-4.....	F51	E Series
EBLR-5.....	F51	E Series
EBLR-6.....	F51	E Series
EBS23DH.....	L56	EBS Series
EBS23DH-PNA.....	L54	EBS Series
EBS23DH-PNBE.....	L54	EBS Series
EBS23DH-PNBG.....	L54	EBS Series
EBS23DH-PNCE.....	L54	EBS Series
EBS23DH-PNCG.....	L54	EBS Series
EBS23DH-PNN.....	L54	EBS Series
EBS23DH-PTA.....	L54	EBS Series
EBS23DH-PTBE.....	L54	EBS Series
EBS23DH-PTBG.....	L54	EBS Series
EBS23DH-PTCE.....	L54	EBS Series
EBS23DH-PTCG.....	L54	EBS Series
EBS23DH-PTN.....	L54	EBS Series
EBS23DH-RNA.....	L54	EBS Series
EBS23DH-RNBE.....	L54	EBS Series
EBS23DH-RNBG.....	L54	EBS Series
EBS23DH-RNCE.....	L54	EBS Series
EBS23DH-RNCG.....	L54	EBS Series
EBS23DH-RNN.....	L54	EBS Series
EBS23DH-RTA.....	L54	EBS Series
EBS23DH-RTBE.....	L54	EBS Series
EBS23DH-RTBG.....	L54	EBS Series
EBS23DH-RTCE.....	L54	EBS Series
EBS23DH-RTCG.....	L54	EBS Series
EBS23DH-RTN.....	L54	EBS Series
EBS-AHFS.....	L55	EBS Series
EBSSEL1030.....	L55	EBS Series



INTRODUCTION NUMERIC INDEX

Part #	SEC./PG	PROD. GRP.
EBSHK1030	L56	EBS Series
EBS-PTT	L55	EBS Series
EBS-PTT-LO	L55	EBS Series
EBS-VC	L55	EBS Series
EBT-1	F51	E Series
EBT-2	F51	E Series
EBT-3	F51	E Series
EBT-4	F51	E Series
EBT-5	F51	E Series
EBT-6	F51	E Series
ECC050	F197	PCG/ECC/RACC Series
ECC075	F197	PCG/ECC/RACC Series
ECC100	F197	PCG/ECC/RACC Series
ECC125	F197	PCG/ECC/RACC Series
ECC150	F197	PCG/ECC/RACC Series
ECC200	F197	PCG/ECC/RACC Series
ECC250	F197	PCG/ECC/RACC Series
ECC300	F197	PCG/ECC/RACC Series
ECF-110	F162	ECF/EKJ Series
ECF-112	F162	ECF/EKJ Series
ECF-115	F162	ECF/EKJ Series
ECF-118	F162	ECF/EKJ Series
ECF-121	F162	ECF/EKJ Series
ECF-124	F162	ECF/EKJ Series
ECF-130	F162	ECF/EKJ Series
ECF-136	F162	ECF/EKJ Series
ECF-14	F162	ECF/EKJ Series
ECF-16	F162	ECF/EKJ Series
ECF-18	F162	ECF/EKJ Series
ECF-210	F162	ECF/EKJ Series
ECF-212	F162	ECF/EKJ Series
ECF-215	F162	ECF/EKJ Series
ECF-218	F162	ECF/EKJ Series
ECF-221	F162	ECF/EKJ Series
ECF-224	F162	ECF/EKJ Series
ECF-230	F162	ECF/EKJ Series
ECF-236	F162	ECF/EKJ Series
ECF-24	F162	ECF/EKJ Series
ECF-26	F162	ECF/EKJ Series
ECF-28	F162	ECF/EKJ Series
ECF-310	F162	ECF/EKJ Series
ECF-312	F162	ECF/EKJ Series
ECF-315	F162	ECF/EKJ Series
ECF-318	F162	ECF/EKJ Series
ECF-321	F162	ECF/EKJ Series
ECF-324	F162	ECF/EKJ Series

Part #	SEC./PG	PROD. GRP.
ECF-330	F162	ECF/EKJ Series
ECF-336	F162	ECF/EKJ Series
ECF-36	F162	ECF/EKJ Series
ECF-38	F162	ECF/EKJ Series
ECFUF-110	F164	ECF/EKJ Series
ECFUF-112	F164	ECF/EKJ Series
ECFUF-115	F164	ECF/EKJ Series
ECFUF-118	F164	ECF/EKJ Series
ECFUF-121	F164	ECF/EKJ Series
ECFUF-124	F164	ECF/EKJ Series
ECFUF-130	F164	ECF/EKJ Series
ECFUF-136	F164	ECF/EKJ Series
ECFUF-14	F164	ECF/EKJ Series
ECFUF-16	F164	ECF/EKJ Series
ECFUF-18	F164	ECF/EKJ Series
ECFUF-210	F164	ECF/EKJ Series
ECFUF-212	F164	ECF/EKJ Series
ECFUF-215	F164	ECF/EKJ Series
ECFUF-218	F164	ECF/EKJ Series
ECFUF-221	F164	ECF/EKJ Series
ECFUF-224	F164	ECF/EKJ Series
ECFUF-230	F164	ECF/EKJ Series
ECFUF-236	F164	ECF/EKJ Series
ECFUF-24	F164	ECF/EKJ Series
ECFUF-26	F164	ECF/EKJ Series
ECFUF-28	F164	ECF/EKJ Series
ECFUF-310	F164	ECF/EKJ Series
ECFUF-312	F164	ECF/EKJ Series
ECFUF-315	F164	ECF/EKJ Series
ECFUF-318	F164	ECF/EKJ Series
ECFUF-321	F164	ECF/EKJ Series
ECFUF-324	F164	ECF/EKJ Series
ECFUF-330	F164	ECF/EKJ Series
ECFUF-336	F164	ECF/EKJ Series
ECFUF-36	F164	ECF/EKJ Series
ECFUF-38	F164	ECF/EKJ Series
EEQ0026E30A2G	L92	EEQ Series
EEQ0026E30B2G	L92	EEQ Series
EEQ0026E30D4G	L92	EEQ Series
EEQ0026E30X2G	L92	EEQ Series
EEQ0032E30A2G	L92	EEQ Series
EEQ0032E30B2G	L92	EEQ Series
EEQ0032E30D4G	L92	EEQ Series
EEQ0032E30X2G	L92	EEQ Series
EEQ0042E30A2G	L92	EEQ Series
EEQ0042E30B2G	L92	EEQ Series

Part #	SEC./PG	PROD. GRP.
EEQ0042E30D4G	L92	EEQ Series
EEQ0042E30X2G	L92	EEQ Series
EEQ2626E30A2G	L92	EEQ Series
EEQ2626E30B2G	L92	EEQ Series
EEQ2626E30D4G	L92	EEQ Series
EEQ2626E30X2G	L92	EEQ Series
EEQ3232E30A2G	L92	EEQ Series
EEQ3232E30B2G	L92	EEQ Series
EEQ3232E30D4G	L92	EEQ Series
EEQ3232E30X2G	L92	EEQ Series
EEQ4242E30A2G	L92	EEQ Series
EEQ4242E30B2G	L92	EEQ Series
EEQ4242E30D4G	L92	EEQ Series
EEQ4242E30X2G	L92	EEQ Series
EF-500	F58	AF/AF8 Series
EGKN-1	F53	E Series
EGKN-2	F53	E Series
EGKN-3	F53	E Series
EGKN-4	F53	E Series
EGKN-5	F53	E Series
EGKN-6	F53	E Series
EGKN-7	F53	E Series
EKJ-110	F162, L107	ECF/EKJ, HXB/XFH/EKJ Series
EKJ-112	F162, L107	ECF/EKJ, HXB/XFH/EKJ Series
EKJ-112SS-EX	F167	EKJ Series
EKJ-115	F162, L107	ECF/EKJ, HXB/XFH/EKJ Series
EKJ-116SS-EX	F167	EKJ Series
EKJ-118	F162, L107	ECF/EKJ Series, HXB/XFH/EKJ Series
EKJ-120SS-EX	F167	EKJ Series
EKJ-124SS-EX	F167	EKJ Series
EKJ-128SS-EX	F167	EKJ Series
EKJ-132SS-EX	F167	EKJ Series
EKJ-136SS-EX	F167	EKJ Series
EKJ-14	F162, L107	ECF/EKJ, HXB/XFH/EKJ Series
EKJ-14SS-EX	F167	EKJ Series
EKJ-16	F162, L107	ECF/EKJ, HXB/XFH/EKJ Series
EKJ-18	F162, L107	ECF/EKJ, HXB/XFH/EKJ Series
EKJ-18SS-EX	F167	EKJ Series
EKJ-210	F162, L107	ECF/EKJ, HXB/XFH/EKJ Series
EKJ-211SS-EX	F167	EKJ Series
EKJ-212	F162, L107	ECF/EKJ, HXB/XFH/EKJ Series

INTRODUCTION

NUMERIC INDEX

Part #	SEC./PG	PROD. GRP.
EKJ-215	F162, L107	ECF/EKJ, HXB/XFH/EKJ Series
EKJ-215SS-EX	F167	EKJ Series
EKJ-218	F162, L107	ECF/EKJ, HXB/XFH/EKJ Series
EKJ-219SS-EX	F167	EKJ Series
EKJ-223SS-EX	F167	EKJ Series
EKJ-227SS-EX	F167	EKJ Series
EKJ-231SS-EX	F167	EKJ Series
EKJ-235SS-EX	F167	EKJ Series
EKJ-24	F162, L107	ECF/EKJ, HXB/XFH/EKJ Series
EKJ-26	F162, L107	ECF/EKJ, HXB/XFH/EKJ Series
EKJ-27SS-EX	F167	EKJ Series
EKJ-28	F162, L107	ECF/EKJ, HXB/XFH/EKJ Series
EKJ-310	F162	ECF/EKJ Series
EKJ-311SS-EX	F167	EKJ Series
EKJ-312	F162	ECF/EKJ Series
EKJ-315	F162	ECF/EKJ Series
EKJ-315SS-EX	F167	EKJ Series
EKJ-318	F162	ECF/EKJ Series
EKJ-319SS-EX	F167	EKJ Series
EKJ-321	F162	ECF/EKJ Series
EKJ-323SS-EX	F167	EKJ Series
EKJ-324	F162	ECF/EKJ Series
EKJ-327SS-EX	F167	EKJ Series
EKJ-330	F162	ECF/EKJ Series
EKJ-331SS-EX	F167	EKJ Series
EKJ-335SS-EX	F167	EKJ Series
EKJ-336	F162	ECF/EKJ Series
EKJ-36	F162	ECF/EKJ Series
EKJ-37SS-EX	F167	EKJ Series
EKJ-38	F162	ECF/EKJ Series
EKJ-412	F162	ECF/EKJ Series
EKJ-415	F162	ECF/EKJ Series
EKJ-418	F162	ECF/EKJ Series
EKJ-421	F162	ECF/EKJ Series
EKJ-424	F162	ECF/EKJ Series
EKJ-430	F162	ECF/EKJ Series
EKJ-436	F162	ECF/EKJ Series
EKJ-512	F162	ECF/EKJ Series
EKJ-513SS-EX	F167	EKJ Series
EKJ-515	F162	ECF/EKJ Series
EKJ-517SS-EX	F167	EKJ Series
EKJ-518	F162	ECF/EKJ Series
EKJ-521	F162	ECF/EKJ Series

Part #	SEC./PG	PROD. GRP.
EKJ-521SS-EX	F167	EKJ Series
EKJ-524	F162	ECF/EKJ Series
EKJ-525SS-EX	F167	EKJ Series
EKJ-529SS-EX	F167	EKJ Series
EKJ-530	F162	ECF/EKJ Series
EKJ-533SS-EX	F167	EKJ Series
EKJ-536	F162	ECF/EKJ Series
EKJ-612	F162	ECF/EKJ Series
EKJ-614SS-EX	F167	EKJ Series
EKJ-615	F162	ECF/EKJ Series
EKJ-618	F162	ECF/EKJ Series
EKJ-618SS-EX	F167	EKJ Series
EKJ-622SS-EX	F167	EKJ Series
EKJ-624	F162	ECF/EKJ Series
EKJ-626SS-EX	F167	EKJ Series
EKJ-630	F162	ECF/EKJ Series
EKJ-630SS-EX	F167	EKJ Series
EKJ-634SS-EX	F167	EKJ Series
EKJ-636	F162	ECF/EKJ Series
EKJUF-412	F164	ECF/EKJ Series
EKJUF-415	F164	ECF/EKJ Series
EKJUF-418	F164	ECF/EKJ Series
EKJUF-421	F164	ECF/EKJ Series
EKJUF-424	F164	ECF/EKJ Series
EKJUF-430	F164	ECF/EKJ Series
EKJUF-436	F164	ECF/EKJ Series
EKJUF-512	F164	ECF/EKJ Series
EKJUF-515	F164	ECF/EKJ Series
EKJUF-518	F164	ECF/EKJ Series
EKJUF-521	F164	ECF/EKJ Series
EKJUF-524	F164	ECF/EKJ Series
EKJUF-530	F164	ECF/EKJ Series
EKJUF-536	F164	ECF/EKJ Series
EKJUF-612	F164	ECF/EKJ Series
EKJUF-615	F164	ECF/EKJ Series
EKJUF-618	F164	ECF/EKJ Series
EKJUF-624	F164	ECF/EKJ Series
EKJUF-630	F164	ECF/EKJ Series
EKJUF-636	F164	ECF/EKJ Series
EMG1	L55, L88	EBS, EM/EQ Series
EMG1-R	L55	EBS Series
EMG2	L32, L88	EML, EM/EQ Series
EMGS1	L55, L93	EBS, EM/EQ Series
EMGS2	L32, L99	EML, ESX Series
EMGS2 EMGS3	L93	EM/EQ Series
EMGS3	L32	EML Series

Part #	SEC./PG	PROD. GRP.
EMI15	L88	EM/EQ Series
EMI20	L88	EM/EQ Series
EMI30	L88	EM/EQ Series
EML4030	L32	EML Series
EML4033	L32	EML Series
EML5030	L32	EML Series
EMRS	L93	EM/EQ Series
ENY-1	F107	ENY/EYS Series
ENY-1M	F107	ENY/EYS Series
ENY-1-T	F107	ENY/EYS Series
ENY-1TM	F107	ENY/EYS Series
ENY-2	F107	ENY/EYS Series
ENY-2M	F107	ENY/EYS Series
ENY-2-T	F107	ENY/EYS Series
ENY-2TM	F107	ENY/EYS Series
ENY-3	F107	ENY/EYS Series
ENY-3M	F107	ENY/EYS Series
ENY-3-T	F107	ENY/EYS Series
ENY-3TM	F107	ENY/EYS Series
ENY-4	F107	ENY/EYS Series
ENY40-0	F109	ENY40/EYD40 Series
ENY40-0M	F109	ENY40/EYD40 Series
ENY40-1	F109	ENY40/EYD40 Series
ENY40-1M	F109	ENY40/EYD40 Series
ENY40-2	F109	ENY40/EYD40 Series
ENY40-2M	F109	ENY40/EYD40 Series
ENY40-3	F109	ENY40/EYD40 Series
ENY40-3M	F109	ENY40/EYD40 Series
ENY40-4	F109	ENY40/EYD40 Series
ENY40-4M	F109	ENY40/EYD40 Series
ENY40-5	F109	ENY40/EYD40 Series
ENY40-5M	F109	ENY40/EYD40 Series
ENY40-6	F109	ENY40/EYD40 Series
ENY40-6M	F109	ENY40/EYD40 Series
ENY40-7	F109	ENY40/EYD40 Series
ENY40-7M	F109	ENY40/EYD40 Series
ENY40-8	F109	ENY40/EYD40 Series
ENY40-8M	F109	ENY40/EYD40 Series
ENY40-9	F109	ENY40/EYD40 Series
ENY40-9M	F109	ENY40/EYD40 Series
ENY-4M	F107	ENY/EYS Series
ENY-4-T	F107	ENY/EYS Series
ENY-4TM	F107	ENY/EYS Series
ENY-5	F107	ENY/EYS Series
ENY-5M	F107	ENY/EYS Series
ENY-5-T	F107	ENY/EYS Series

INTRODUCTION NUMERIC INDEX

Part #	SEC./PG	PROD. GRP.
ENY-5TM	F107	ENY/EYS Series
ENY-6	F107	ENY/EYS Series
ENY-6M	F107	ENY/EYS Series
ENY-6-T	F107	ENY/EYS Series
ENY-6TM	F107	ENY/EYS Series
EQF2630	L88	EM/EQ Series
EQF3230	L88	EM/EQ Series
EQF4230	L88	EM/EQ Series
EQF5230	L88	EM/EQ Series
EQF6430	L88	EM/EQ Series
EQF8430	L88	EM/EQ Series
ERA15	L55	EBS Series
ERA30	L32	EML Series
ERSD15	L55, L88	EBS, EM/EQ Series
ERSD30	L32, L88	EML, EM/EQ Series
ESCV-1	F53	E Series
ESCV-2	F53	E Series
ESCV-3	F53	E Series
ESCV-4	F53	E Series
ESCV-5	F53	E Series
ESCV-6	F53	E Series
ESCV-7	F53	E Series
ESX120PS	L99	ESX Series
ESX1274PS	L99	ESX Series
ESX240PS	L99	ESX Series
ESXAL	L99	ESX Series
ESXBL	L99	ESX Series
ESXCL	L99	ESX Series
ESXGL	L99	ESX Series
ESXRL	L99	ESX Series
EVXB/20L/LE	L111	EVOLUTION X
EVXB/20L/LE/PE	L113	EVOLUTION X Pendant
EVXB/30L/LE	L111	EVOLUTION X
EVXB/30L/LE/PE	L113	EVOLUTION X Pendant
EVXB/40L/LE	L111	EVOLUTION X
EVXB/40L/LE/PE	L113	EVOLUTION X Pendant
EXB/EXBLTC-10106	E71	EXB / EXBLT Series
EXB/EXBLTC-10108	E71	EXB / EXBLT Series
EXB/EXBLTC-10146	E71	EXB / EXBLT Series
EXB/EXBLTC-10148	E71	EXB / EXBLT Series
EXB/EXBLTC-12126	E71	EXB / EXBLT Series
EXB/EXBLTC-12128	E71	EXB / EXBLT Series
EXB/EXBLTC-12186	E71	EXB / EXBLT Series
EXB/EXBLTC-12188	E71	EXB / EXBLT Series
EXB/EXBLTC-12246	E71	EXB / EXBLT Series
EXB/EXBLTC-12248	E71	EXB / EXBLT Series

Part #	SEC./PG	PROD. GRP.
EXB/EXBLTC-14148	E71	EXB / EXBLT Series
EXB/EXBLTC-16168	E71	EXB / EXBLT Series
EXB/EXBLTC-16248	E71	EXB / EXBLT Series
EXB/EXBLTC-8104	E71	EXB / EXBLT Series
EXB/EXBLTC-8106	E71	EXB / EXBLT Series
EXB/EXBLTC-8126	E71	EXB / EXBLT Series
EXB/EXBLTC-8128	E71	EXB / EXBLT Series
EXB/EXBLTC-886	E71	EXB / EXBLT Series
EXB-10106 N34	E64-E66, E68	EXB Series
EXB-10106 N34 SU1	DE20	EXB-NFD, EXB-FDS Series
EXB-10108 N34	E64-E66, E68	EXB Series
EXB-10146 N34	DE45, E64-E66, E68	EXBLI/EXBSPI, EXB Series
EXB-10148 N34	E64-E66, E68	EXB Series
EXB-12126 N34	E64-E66, E68	EXB Series
EXB-12128 N34	E64-E66, E68	EXB Series
EXB-12186 N34	DE45, E64-E66, E68	EXBLI/EXBSPI, EXB Series
EXB-12188 N34	E64-E66, E68	EXB Series
EXB-12188 N34 SU1	DE20	EXB-NFD, EXB-FDS Series
EXB-122412	E71	EXB / EXBLT Series
EXB-122412 N34	E64-E66, E68	EXB Series
EXB-12246 N34	DE45, E64-E66, E68	EXBLI/EXBSPI, EXB Series
EXB-12248 N34	E64-E66, E68	EXB Series
EXB-12248 N34 SU1	DE20	EXB-NFD, EXB-FDS Series
EXB-123610	E71	EXB / EXBLT Series
EXB-123610 N34	E64-E66, E68	EXB Series
EXB-12368	E71	EXB / EXBLT Series
EXB-12368 N34	E64-E66, E68	EXB Series
EXB-12368 N34 SU1	DE20	EXB-NFD, EXB-FDS Series
EXB-14146	E71	EXB / EXBLT Series
EXB-14146 N34	E64-E66, E68	EXB Series
EXB-14148 N34	E64-E66, E68	EXB Series
EXB-16166	E71	EXB / EXBLT Series
EXB-16166 N34	DE45, E64-E66, E68	EXBLI/EXBSPI, EXB Series
EXB-16168 N34	E64-E66, E68	EXB Series
EXB-162410	E71	EXB / EXBLT Series
EXB-162410 N34	E64-E66, E68	EXB Series
EXB-16248 N34	DE45, E64-E66, E68	EXBLI/EXBSPI, EXB Series
EXB-18186	E71	EXB / EXBLT Series
EXB-18186 N34	E64-E66, E68	EXB Series
EXB-18188	E71	EXB / EXBLT Series
EXB-18188 N34	E64-E66, E68	EXB Series

Part #	SEC./PG	PROD. GRP.
EXB-182410	E71	EXB / EXBLT Series
EXB-182410 N34	E64-E66, E68	EXB Series
EXB-18248	DE34, E71	EXPB2, EXB / EXBLT Series
EXB-18248 N34	DE45, E64-E66, E68	EXBLI/EXBSPI, EXB Series
EXB-18308	DE34, E71	EXPB2, EXB / EXBLT Series
EXB-18308 N34	E64-E66, E68	EXB Series
EXB-183610	E71	EXB / EXBLT Series
EXB-183610 N34	E64-E66, E68	EXB Series
EXB-18368	DE34, DE38, DE39, E71	EXPB2, EXPB3, EXB / EXBLT Series
EXB-18368 N34	DE45, E64-E66, E68	EXBLI/EXBSPI, EXB Series
EXB-18368 N34 SU1	DE20	EXB-NFD, EXB-FDS Series
EXB-203611	E71	EXB / EXBLT Series
EXB-203611 N34	E64-E66, E68	EXB Series
EXB-242410	E71	EXB / EXBLT Series
EXB-242410 N34	E64-E66, E68	EXB Series
EXB-24248	E71	EXB / EXBLT Series
EXB-24248 N34	E64-E66, E68	EXB Series
EXB-24308	E71	EXB / EXBLT Series
EXB-24308 N34	E64-E66, E68	EXB Series
EXB-243610	E71	EXB / EXBLT Series
EXB-243610 N34	E64-E66, E68	EXB Series
EXB-24368	DE34	EXPB2 Series
EXB-24368	DE38	EXPB3 Series
EXB-24368	DE39	EXPB3 Series
EXB-24368	E71	EXB / EXBLT Series
EXB-24368 N34	DE45, E64-E66, E68	EXBLI/EXBSPI, EXB Series
EXB-664 N34	E64-E66, E68	EXB Series
EXB-664 N34 SU1	DE20	EXB-NFD, EXB-FDS Series
EXB701009 TO EXB701030	S23	EXB70 Series
EXB701040 TO EXB701096	S23	EXB70 Series
EXB701140	S23	EXB70 Series
EXB702009 TO EXB702030	S23	EXB70 Series
EXB702065	S23	EXB70 Series
EXB702096 TO EXB702140	S23	EXB70 Series
EXB72SH251	S23	EXB70 Series
EXB72SH252	S23	EXB70 Series
EXB72SH254	S23	EXB70 Series
EXB72SH501	S23	EXB70 Series
EXB72SH502	S23	EXB70 Series
EXB72SH504	S23	EXB70 Series
EXB72SS	S23	EXB70 Series

INTRODUCTION

NUMERIC INDEX

Part #	SEC./PG	PROD. GRP.
EXB7APL-120	S23	EXB70 Series
EXB7APL-24	S23	EXB70 Series
EXB7CT100	S23	EXB70 Series
EXB7CT100-24	S23	EXB70 Series
EXB7CT150	S23	EXB70 Series
EXB7CT150-24	S23	EXB70 Series
EXB7CT200	S23	EXB70 Series
EXB7CT200-24	S23	EXB70 Series
EXB7CT250	S23	EXB70 Series
EXB7CT250-24	S23	EXB70 Series
EXB7CT300	S23	EXB70 Series
EXB7CT300-24	S23	EXB70 Series
EXB7CT50	S23	EXB70 Series
EXB7CT50-24	S23	EXB70 Series
EXB7CT75	S23	EXB70 Series
EXB7CT75-24	S23	EXB70 Series
EXB7DBP	S23	EXB70 Series
EXB7GPL-120	S23	EXB70 Series
EXB7GPL-24	S23	EXB70 Series
EXB7LPBA	S23	EXB70 Series
EXB7LPBA-24	S23	EXB70 Series
EXB7LPBG	S23	EXB70 Series
EXB7LPBG-24	S23	EXB70 Series
EXB7LPBR	S23	EXB70 Series
EXB7LPBR-24	S23	EXB70 Series
EXB7PLR220	S23	EXB70 Series
EXB7PLR440	S23	EXB70 Series
EXB7PLR550	S23	EXB70 Series
EXB7PLXF220	S23	EXB70 Series
EXB7PLXF440	S23	EXB70 Series
EXB7RPL-120	S23	EXB70 Series
EXB7RPL-24	S23	EXB70 Series
EXB7SF	S23	EXB70 Series
EXB7SSHOA	S23	EXB70 Series
EXB7TB	S23	EXB70 Series
EXB-8104 N34	E64-E66, E68	EXB Series
EXB-8106 N34	E64-E66, E68	EXB Series
EXB-8106 N34 SU1	DE20	EXB-NFD, EXB-FDS Series
EXB-8126 N34	EXBLI/EXBSPI, EXB Series	EXBLI/EXBSPI, EXB Series
.....DE45, E64-E66, E68		
EXB-8128 N34	E64-E66, E68	EXB Series
EXB-886 N34	E64-E66, E68	EXB Series
EXB-886 N34 SU1	DE20	EXB-NFD, EXB-FDS Series
EXB-FDS-0303P	DE19	EXB-NFD, EXB-FDS Series

Part #	SEC./PG	PROD. GRP.
EXB-FDS-0603P	DE19	EXB-NFD, EXB-FDS Series
EXB-FDS-1003P	DE19	EXB-NFD, EXB-FDS Series
EXB-FDS-2003P	DE19	EXB-NFD, EXB-FDS Series
EXB-FDS-4003P	DE19	EXB-NFD, EXB-FDS Series
EXBLI-112MB	DE42	EXBLI/EXBSPI Series
EXBLI-112ML130	DE42	EXBLI/EXBSPI Series
EXBLI-118MB	DE42	EXBLI/EXBSPI Series
EXBLI-118ML130	DE42	EXBLI/EXBSPI Series
EXBLI-124MB	DE42	EXBLI/EXBSPI Series
EXBLI-124ML260	DE42	EXBLI/EXBSPI Series
EXBLI-136MB	DE42	EXBLI/EXBSPI Series
EXBLI-136ML260	DE42	EXBLI/EXBSPI Series
EXBLI-154MB	DE42	EXBLI/EXBSPI Series
EXBLI-154ML260	DE42	EXBLI/EXBSPI Series
EXBLI-16MB	DE42	EXBLI/EXBSPI Series
EXBLI-16ML80	DE42	EXBLI/EXBSPI Series
EXBLI-172MB	DE42	EXBLI/EXBSPI Series
EXBLI-172ML260	DE42	EXBLI/EXBSPI Series
EXBLI-312MB	DE42	EXBLI/EXBSPI Series
EXBLI-312ML130	DE42	EXBLI/EXBSPI Series
EXBLI-318MB	DE42	EXBLI/EXBSPI Series
EXBLI-318ML130	DE42	EXBLI/EXBSPI Series
EXBLI-324MB	DE42	EXBLI/EXBSPI Series
EXBLI-324ML260	DE42	EXBLI/EXBSPI Series
EXBLI-336MB	DE42	EXBLI/EXBSPI Series
EXBLI-336ML260	DE42	EXBLI/EXBSPI Series
EXBLI-354MB	DE42	EXBLI/EXBSPI Series
EXBLI-354ML260	DE42	EXBLI/EXBSPI Series
EXBLI-36MB	DE42	EXBLI/EXBSPI Series
EXBLI-36ML80	DE42	EXBLI/EXBSPI Series
EXBLI-372MB	DE42	EXBLI/EXBSPI Series
EXBLI-372ML260	DE42	EXBLI/EXBSPI Series
EXBLT-10106 N4	E58-E60, E62	EXBLT Series
EXBLT-10108 N4	EXBLT-FDS, EXBLT Series	EXBLT-FDS, EXBLT Series
.....DE15, E58-E60, E62		
EXBLT-10146 N4	E58-E60, E62	EXBLT Series
EXBLT-10148 N4	E58-E60, E62	EXBLT Series
EXBLT-12126 N4	E58-E60, E62	EXBLT Series
EXBLT-12128 N4	E58-E60, E62	EXBLT Series
EXBLT-12186 N4	E58-E60, E62	EXBLT Series
EXBLT-12188 N4	EXBLT-FDS, EXBLT Series	EXBLT-FDS, EXBLT Series
.....DE15, E58-E60, E62		
EXBLT-12246 N4	E58-E60, E62	EXBLT Series
EXBLT-12248 N4	E58-E60, E62	EXBLT Series
EXBLT-14148 N4	E58-E60, E62	EXBLT Series

Part #	SEC./PG	PROD. GRP.
EXBLT-14248 N4	E58-E60, E62	EXBLT Series
EXBLT-14308 N4	E58-E60, E62	EXBLT Series
EXBLT-16168 N4	E58-E60, E62	EXBLT Series
EXBLT-16248 N4	E58-E60, E62	EXBLT Series
EXBLT-6124 N4	E58-E60, E62	EXBLT Series
EXBLT-6126 N4	E58-E60, E62	EXBLT Series
EXBLT-664 N4	E58-E60, E62	EXBLT Series
EXBLT-684 N4	E58-E60, E62	EXBLT Series
EXBLT-686 N4	EXBLT-FDS, EXBLT Series	EXBLT-FDS, EXBLT Series
.....DE15, E58-E60, E62		
EXBLT-8104 N4	E58-E60, E62	EXBLT Series
EXBLT-8106 N4DE15, E58-E60, E62		EXBLT-FDS, EXBLT Series
EXBLT-8126 N4	E58-E60, E62	EXBLT Series
EXBLT-8128 N4	E58-E60, E62	EXBLT Series
EXBLT-886 N4	EXBLT-FDS, EXBLT Series	EXBLT-FDS, EXBLT Series
.....DE15, E58-E60, E62		
EXBLT-9116 N4	E58-E60, E62	EXBLT Series
EXBLTC-6124	E71	EXB / EXBLT Series
EXBLTC-6126	E71	EXB / EXBLT Series
EXBLTC-684	E71	EXB / EXBLT Series
EXBLTC-686	E71	EXB / EXBLT Series
EXBLTC-9116	E71	EXB / EXBLT Series
EXBLTP-10108 N4	DE15	EXBLTP-FDS Series
EXBLTP-686 N4	DE15	EXBLTP-FDS Series
EXBLTP-8106 N4	DE15	EXBLTP-FDS Series
EXBLTP-886 N4	DE15	EXBLTP-FDS Series
EXBLTP-FDS-0303P	DE14	EXBLTP-FDS Series
EXBLTP-FDS-0603P	DE14	EXBLTP-FDS Series
EXBLTP-FDS-1003P	DE14	EXBLTP-FDS Series
EXBLTP-NFD-0303P	DE17	EXBLTP-NFD Series
EXBLTP-NFD-0303PDT	DE17	EXBLTP-NFD Series
EXBLTP-NFD-0306P	DE17	EXBLTP-NFD Series
EXBLTP-NFD-0603P	DE17	EXBLTP-NFD Series
EXBLTP-NFD-0603PDT	DE17	EXBLTP-NFD Series
EXBLTP-NFD-0606P	DE17	EXBLTP-NFD Series
EXBLTP-NFD-1003P	DE17	EXBLTP-NFD Series
EXBLTP-NFD-1003PDT	DE17	EXBLTP-NFD Series
EXBLTP-NFD-1006P	DE17	EXBLTP-NFD Series
EXBLTP-NFD-1603P	DE17	EXBLTP-NFD Series
EXBLTP-NFD-1606P	DE17	EXBLTP-NFD Series
EXBLTP-NFD-2503P	DE17	EXBLTP-NFD Series
EXBLTP-NFD-2506P	DE17	EXBLTP-NFD Series
EXBLTP-NFD-3203P	DE17	EXBLTP-NFD Series
EXBLTP-NFD-3206P	DE17	EXBLTP-NFD Series
EXBLTP-NFD-6303P	DE17	EXBLTP-NFD Series
EXBLTP-NFD-6306P	DE17	EXBLTP-NFD Series
EXBLTP-NFD-8003P	DE17	EXBLTP-NFD Series

INTRODUCTION NUMERIC INDEX

Part #	SEC./PG	PROD. GRP.
EXBLTP-NFD-8006P	DE17	EXBLTP-NFD Series
EXB-NFD-0303P	DE19	EXB-NFD, EXB-FDS Series
EXB-NFD-0303PDT	DE19	EXB-NFD, EXB-FDS Series
EXB-NFD-0306P	DE19	EXB-NFD, EXB-FDS Series
EXB-NFD-0603P	DE19	EXB-NFD, EXB-FDS Series
EXB-NFD-0603PDT	DE19	EXB-NFD, EXB-FDS Series
EXB-NFD-0606P	DE19	EXB-NFD, EXB-FDS Series
EXB-NFD-1003P	DE19	EXB-NFD, EXB-FDS Series
EXB-NFD-1003PDT	DE19	EXB-NFD, EXB-FDS Series
EXB-NFD-1006P	DE19	EXB-NFD, EXB-FDS Series
EXB-NFD-2003P	DE19	EXB-NFD, EXB-FDS Series
EXB-NFD-4003P	DE19	EXB-NFD, EXB-FDS Series
EXBSPI-112MB	DE43	EXBLI/EXBSPI Series
EXBSPI-112ML130	DE43	EXBLI/EXBSPI Series
EXBSPI-118MB	DE43	EXBLI/EXBSPI Series
EXBSPI-118ML130	DE43	EXBLI/EXBSPI Series
EXBSPI-124MB	DE43	EXBLI/EXBSPI Series
EXBSPI-124ML260	DE43	EXBLI/EXBSPI Series
EXBSPI-136MB	DE43	EXBLI/EXBSPI Series
EXBSPI-136ML260	DE43	EXBLI/EXBSPI Series
EXBSPI-154MB	DE43	EXBLI/EXBSPI Series
EXBSPI-154ML260	DE43	EXBLI/EXBSPI Series
EXBSPI-16MB	DE43	EXBLI/EXBSPI Series
EXBSPI-16ML80	DE43	EXBLI/EXBSPI Series
EXBSPI-172MB	DE43	EXBLI/EXBSPI Series
EXBSPI-172ML260	DE43	EXBLI/EXBSPI Series
EXBSPI-312MB	DE43	EXBLI/EXBSPI Series
EXBSPI-312ML130	DE43	EXBLI/EXBSPI Series
EXBSPI-318MB	DE43	EXBLI/EXBSPI Series
EXBSPI-318ML130	DE43	EXBLI/EXBSPI Series
EXBSPI-324MB	DE43	EXBLI/EXBSPI Series
EXBSPI-324ML260	DE43	EXBLI/EXBSPI Series
EXBSPI-336MB	DE43	EXBLI/EXBSPI Series
EXBSPI-336ML260	DE43	EXBLI/EXBSPI Series
EXBSPI-354MB	DE43	EXBLI/EXBSPI Series
EXBSPI-354ML260	DE43	EXBLI/EXBSPI Series
EXBSPI-36MB	DE43	EXBLI/EXBSPI Series
EXBSPI-36ML80	DE43	EXBLI/EXBSPI Series
EXBSPI-372MB	DE43	EXBLI/EXBSPI Series
EXBSPI-372ML260	DE43	EXBLI/EXBSPI Series

Part #	SEC./PG	PROD. GRP.
EXH1A10	E84	EXH Breaker Handles
EXH1A6	E84	EXH Breaker Handles
EXH1A8	E84	EXH Breaker Handles
EXH1B10	E84	EXH Breaker Handles
EXH1B8	E84	EXH Breaker Handles
EXH2C10	E84	EXH Breaker Handles
EXH2C8	E84	EXH Breaker Handles
EXH3D10	E84	EXH Breaker Handles
EXH3D8	E84	EXH Breaker Handles
EXH3E10	E84	EXH Breaker Handles
EXPB2-FS-112-MB100	DE32	EXPB2 Series
EXPB2-FS-112-ML100	DE32	EXPB2 Series
EXPB2-FS-118-MB225	DE32	EXPB2 Series
EXPB2-FS-118-ML225	DE32	EXPB2 Series
EXPB2-FS-124-MB225	DE32	EXPB2 Series
EXPB2-FS-124-ML225	DE32	EXPB2 Series
EXPB2-FS-130-MB225	DE32	EXPB2 Series
EXPB2-FS-130-ML225	DE32	EXPB2 Series
EXPB2-FS-136-MB225	DE32	EXPB2 Series
EXPB2-FS-136-ML225	DE32	EXPB2 Series
EXPB2-FS-142-MB225	DE32	EXPB2 Series
EXPB2-FS-142-ML225	DE32	EXPB2 Series
EXPB2-FS-312-MB100	DE32	EXPB2 Series
EXPB2-FS-312-ML100	DE32	EXPB2 Series
EXPB2-FS-318-MB225	DE32	EXPB2 Series
EXPB2-FS-318-ML225	DE32	EXPB2 Series
EXPB2-FS-324-MB225	DE32	EXPB2 Series
EXPB2-FS-324-ML225	DE32	EXPB2 Series
EXPB2-FS-330-MB225	DE32	EXPB2 Series
EXPB2-FS-330-ML225	DE32	EXPB2 Series
EXPB2-FS-336-MB225	DE32	EXPB2 Series
EXPB2-FS-336-ML225	DE32	EXPB2 Series
EXPB2-FS-342-MB225	DE32	EXPB2 Series
EXPB2-FS-342-ML225	DE32	EXPB2 Series
EXPB2-NFS-112-MB100	DE33	EXPB2 Series
EXPB2-NFS-112-ML100	DE33	EXPB2 Series
EXPB2-NFS-118-MB225	DE33	EXPB2 Series
EXPB2-NFS-118-ML225	DE33	EXPB2 Series
EXPB2-NFS-124-MB225	DE33	EXPB2 Series
EXPB2-NFS-124-ML225	DE33	EXPB2 Series
EXPB2-NFS-130-MB225	DE33	EXPB2 Series
EXPB2-NFS-130-ML225	DE33	EXPB2 Series
EXPB2-NFS-136-MB225	DE33	EXPB2 Series
EXPB2-NFS-136-ML225	DE33	EXPB2 Series
EXPB2-NFS-142-MB225	DE33	EXPB2 Series
EXPB2-NFS-142-ML225	DE33	EXPB2 Series

Part #	SEC./PG	PROD. GRP.
EXPB2-NFS-312-MB100	DE33	EXPB2 Series
EXPB2-NFS-312-ML100	DE33	EXPB2 Series
EXPB2-NFS-318-MB225	DE33	EXPB2 Series
EXPB2-NFS-318-ML225	DE33	EXPB2 Series
EXPB2-NFS-324-MB225	DE33	EXPB2 Series
EXPB2-NFS-324-ML225	DE33	EXPB2 Series
EXPB2-NFS-330-MB225	DE33	EXPB2 Series
EXPB2-NFS-330-ML225	DE33	EXPB2 Series
EXPB2-NFS-336-MB225	DE33	EXPB2 Series
EXPB2-NFS-336-ML225	DE33	EXPB2 Series
EXPB2-NFS-342-MB225	DE33	EXPB2 Series
EXPB2-NFS-342-ML225	DE33	EXPB2 Series
EXPB3-FS-312-MB100	DE37	EXPB3 Series
EXPB3-FS-312-ML100	DE37	EXPB3 Series
EXPB3-FS-318-MB225	DE37	EXPB3 Series
EXPB3-FS-318-ML225	DE37	EXPB3 Series
EXPB3-FS-324-MB225	DE37	EXPB3 Series
EXPB3-FS-324-ML225	DE37	EXPB3 Series
EXPB3-FS-330-MB225	DE37	EXPB3 Series
EXPB3-FS-330-ML225	DE37	EXPB3 Series
EXPB3-FS-336-MB225	DE37	EXPB3 Series
EXPB3-FS-336-ML225	DE37	EXPB3 Series
EXPB3-FS-342-MB225	DE37	EXPB3 Series
EXPB3-FS-342-ML225	DE37	EXPB3 Series
EXPB3-NFS-312-MB100	DE38	EXPB3 Series
EXPB3-NFS-312-ML100	DE38	EXPB3 Series
EXPB3-NFS-318-MB225	DE38	EXPB3 Series
EXPB3-NFS-318-ML225	DE38	EXPB3 Series
EXPB3-NFS-324-MB225	DE38	EXPB3 Series
EXPB3-NFS-324-ML225	DE38	EXPB3 Series
EXPB3-NFS-330-MB225	DE38	EXPB3 Series
EXPB3-NFS-330-ML225	DE38	EXPB3 Series
EXPB3-NFS-336-MB225	DE38	EXPB3 Series
EXPB3-NFS-336-ML225	DE38	EXPB3 Series
EXPB3-NFS-342-MB225	DE38	EXPB3 Series
EXPB3-NFS-342-ML225	DE38	EXPB3 Series
EY-0	F108	EY/EYD Series
EY-0M	F108	EY/EYD Series
EY-0-T	F108	EY/EYD Series
EY-0TM	F108	EY/EYD Series
EY-100	F108	EY/EYD Series
EY-100M	F108	EY/EYD Series
EY-100-T	F108	EY/EYD Series
EY-100TM	F108	EY/EYD Series
EY-4	F108	EY/EYD Series
EY-4M	F108	EY/EYD Series

INTRODUCTION

NUMERIC INDEX

Part #	SEC./PG	PROD. GRP.
EY-4-T	F108	EY/EYD Series
EY-4TM	F108	EY/EYD Series
EY-5	F108	EY/EYD Series
EY-50	F108	EY/EYD Series
EY-50M	F108	EY/EYD Series
EY-50-T	F108	EY/EYD Series
EY-50TM	F108	EY/EYD Series
EY-5M	F108	EY/EYD Series
EY-5-T	F108	EY/EYD Series
EY-5TM	F108	EY/EYD Series
EY-6	F108	EY/EYD Series
EY-6M	F108	EY/EYD Series
EY-6-T	F108	EY/EYD Series
EY-6TM	F108	EY/EYD Series
EY-7	F108	EY/EYD Series
EY-75	F108	EY/EYD Series
EY-75M	F108	EY/EYD Series
EY-75-T	F108	EY/EYD Series
EY-75TM	F108	EY/EYD Series
EY-7M	F108	EY/EYD Series
EY-7-T	F108	EY/EYD Series
EY-7TM	F108	EY/EYD Series
EY-8	F108	EY/EYD Series
EY-8M	F108	EY/EYD Series
EY-8-T	F108	EY/EYD Series
EY-8TM	F108	EY/EYD Series
EY-9	F108	EY/EYD Series
EY-9M	F108	EY/EYD Series
EY-9-T	F108	EY/EYD Series
EY-9TM	F108	EY/EYD Series
EYD-0	F108	EY/EYD Series
EYD-0M	F108	EY/EYD Series
EYD-0-T	F108	EY/EYD Series
EYD-0TM	F108	EY/EYD Series
EYD-100	F108	EY/EYD Series
EYD-100M	F108	EY/EYD Series
EYD-100T	F108	EY/EYD Series
EYD-100TM	F108	EY/EYD Series
EYD-4	F108	EY/EYD Series
EYD40-0	F109	ENY40/EYD40 Series
EYD40-0M	F109	ENY40/EYD40 Series
EYD40-1	F109	ENY40/EYD40 Series
EYD40-1M	F109	ENY40/EYD40 Series
EYD40-2	F109	ENY40/EYD40 Series
EYD40-2M	F109	ENY40/EYD40 Series
EYD40-3	F109	ENY40/EYD40 Series

Part #	SEC./PG	PROD. GRP.
EYD40-3M	F109	ENY40/EYD40 Series
EYD40-4	F109	ENY40/EYD40 Series
EYD40-4M	F109	ENY40/EYD40 Series
EYD40-5	F109	ENY40/EYD40 Series
EYD40-5M	F109	ENY40/EYD40 Series
EYD40-6	F109	ENY40/EYD40 Series
EYD40-6M	F109	ENY40/EYD40 Series
EYD40-7	F109	ENY40/EYD40 Series
EYD40-7M	F109	ENY40/EYD40 Series
EYD40-8	F109	ENY40/EYD40 Series
EYD40-8M	F109	ENY40/EYD40 Series
EYD40-9	F109	ENY40/EYD40 Series
EYD40-9M	F109	ENY40/EYD40 Series
EYD-4M	F108	EY/EYD Series
EYD-4-T	F108	EY/EYD Series
EYD-4TM	F108	EY/EYD Series
EYD-5	F108	EY/EYD Series
EYD-50	F108	EY/EYD Series
EYD-50M	F108	EY/EYD Series
EYD-50T	F108	EY/EYD Series
EYD-50TM	F108	EY/EYD Series
EYD-5M	F108	EY/EYD Series
EYD-5-T	F108	EY/EYD Series
EYD-5TM	F108	EY/EYD Series
EYD-6	F108	EY/EYD Series
EYD-6M	F108	EY/EYD Series
EYD-6-T	F108	EY/EYD Series
EYD-6TM	F108	EY/EYD Series
EYD-7	F108	EY/EYD Series
EYD-75	F108	EY/EYD Series
EYD-75M	F108	EY/EYD Series
EYD-75T	F108	EY/EYD Series
EYD-75TM	F108	EY/EYD Series
EYD-7M	F108	EY/EYD Series
EYD-7-T	F108	EY/EYD Series
EYD-7TM	F108	EY/EYD Series
EYD-8	F108	EY/EYD Series
EYD-8M	F108	EY/EYD Series
EYD-8-T	F108	EY/EYD Series
EYD-8TM	F108	EY/EYD Series
EYD-9	F108	EY/EYD Series
EYD-9M	F108	EY/EYD Series
EYD-9-T	F108	EY/EYD Series
EYD-9TM	F108	EY/EYD Series
EYMF-1	F159	FF/MF/MM/BL/GUFS/Y/ EYMF Series

Part #	SEC./PG	PROD. GRP.
EYMF-1-EX	F160	FF/MF/MM/BL/GUFS/Y/ EYMF Series
EYMF-2	F159	FF/MF/MM/BL/GUFS/Y/ EYMF Series
EYMF-2-EX	F160	FF/MF/MM/BL/GUFS/Y/ EYMF Series
EYS-0	F107	ENY/EYS Series
EYS-0M	F107	ENY/EYS Series
EYS-0-T	F107	ENY/EYS Series
EYS-0TM	F107	ENY/EYS Series
EYS-1	F107	ENY/EYS Series
EYS-1-T	F107	ENY/EYS Series
EYS-2	F107	ENY/EYS Series
EYS-2-T	F107	ENY/EYS Series
EYS-3	F107	ENY/EYS Series
EYS-3-T	F107	ENY/EYS Series
EYS-4	F107	ENY/EYS Series
EYS-4-T	F107	ENY/EYS Series
EYS-5	F107	ENY/EYS Series
EYS-5-T	F107	ENY/EYS Series
EYS-6	F107	ENY/EYS Series
EYS-6-T	F107	ENY/EYS Series
EYS-7	F107	ENY/EYS Series
EYS-7M	F107	ENY/EYS Series
EYS-7-T	F107	ENY/EYS Series
EYS-7TM	F107	ENY/EYS Series
EYS-8	F107	ENY/EYS Series
EYS-8M	F107	ENY/EYS Series
EYS-8-T	F107	ENY/EYS Series
EYS-8TM	F107	ENY/EYS Series
EYS-9	F107	ENY/EYS Series
EYS-9M	F107	ENY/EYS Series
EYS-9-T	F107	ENY/EYS Series
EYS-9TM	F107	ENY/EYS Series
EZ 1	F105	EZ Series
EZ 1S	F105	EZ Series
EZ 1SS	F105	EZ Series
EZ 2	F105	EZ Series
EZ 2S	F105	EZ Series
EZ 2SS	F105	EZ Series
EZ 3	F105	EZ Series
EZ 3S	F105	EZ Series
EZ 3SS	F105	EZ Series
EZA2	L27, L32, L35, L55, L88	VMLX, EML, EZL, EBS, EM/EQ Series
EZA3	L27, L32, L35, L55, L88	VMLX, EML, EZL, EBS, EM/EQ Series
EZB2	L32, L35, L55, L88	EML, EZL, EBS, EM/EQ Series

INTRODUCTION

NUMERIC INDEX

Part #	SEC./PG	PROD. GRP.
EZB3	L27, L32, L35, L55, L88	VMLX, EML, EZL, EBS, EM/EQ Series
EZBA12	L37	EAC/EACH Series
EZCB	L93, L97	EM/EQ, EZ Series
EZD4	L32, L35, L55, L88	EML, EZL, EBS, EM/EQ Series
EZD4A	L27	VMLX Series
EZG1	L95, L97	EBB, EZ Series
EZL10030	L35	EZL Series
EZL12530	L35	EZL Series
EZL5530	L35	EZL Series
EZL6530	L35	EZL Series
EZL9030	L35	EZL Series
EZL9530	L35	EZL Series
EZM0	L97	EZ Series
EZTB	L93, L97	EM/EQ, EZ Series
EZX2	L27, L32, L35, L55, L88	VMLX, EML, EZL, EBS, EM/EQ Series
EZX3	L27, L32, L35, L55, L88	VMLX, EML, EZL, EBS, EM/EQ Series
FB-707	F70	FB/STFB Series
FB-714	F70	FB/STFB Series
FB-724	F70	FB/STFB Series
FB-734	F70	FB/STFB Series
FB-745	F70	FB/STFB Series
FB-755	F70	FB/STFB Series
FB-765	F70	FB/STFB Series
FB-787	F70	FB/STFB Series
FCLA	F84	FZ/FCL-GF/FST Series
FCLA-CP	F21	K-PAK
FCLG	F84	FZ/FCL-GF/FST Series
FCL-GF	F84, F85	FZ/FCL-GF/FST Series
FCLM	F84	FZ/FCL-GF/FST Series
FCLN	F84	FZ/FCL-GF/FST Series
FCLR	F84	FZ/FCL-GF/FST Series
FCLT	F84	FZ/FCL-GF/FST Series
FCL-VG	F84, F85	FZ/FCL-GF/FST Series
FD-1	F72	FS/FD/FSC Series
FD-1-CP	F21	K-PAK
FD-1M	F72	FS/FD/FSC Series
FD-2	F72	FS/FD/FSC Series
FD-2-CP	F21	K-PAK
FD-2M	F72	FS/FD/FSC Series
FD-3	F72	FS/FD/FSC Series
FD-3M	F72	FS/FD/FSC Series
FDA-2	F75	FSX/FSA/FDA/FSLB Series
FDC-1	F73	FDC/FSOC/FSL Series

Part #	SEC./PG	PROD. GRP.
FDC-1-CP	F21	K-PAK
FDC-1M	F73	FDC/FSOC/FSL Series
FDC-2	F73	FDC/FSOC/FSL Series
FDC-2-CP	F21	K-PAK
FDC-2M	F73	FDC/FSOC/FSL Series
FDC-3	F73	FDC/FSOC/FSL Series
FDC-3M	F73	FDC/FSOC/FSL Series
FDCC-2	F76	FSS/FSCC/FDCC Series
FDCC-2M	F76	FSS/FSCC/FDCC Series
FDS-2	F76	FSS/FSCC/FDCC Series
FDS-2M	F76	FSS/FSCC/FDCC Series
FF-45-1	F159	FF/MF/MM/BL/GUFS/Y/ EYMF Series
FF-45-1-EX	F160	FF/MF/MM/BL/GUFS/Y/ EYMF Series
FF-45-1M	F159	FF/MF/MM/BL/GUFS/Y/ EYMF Series
FF-45-1M-EX	F160	FF/MF/MM/BL/GUFS/Y/ EYMF Series
FF-45-2	F159	FF/MF/MM/BL/GUFS/Y/ EYMF Series
FF-45-2-EX	F160	FF/MF/MM/BL/GUFS/Y/ EYMF Series
FF-45-2M	F159	FF/MF/MM/BL/GUFS/Y/ EYMF Series
FF-45-2M-EX	F160	FF/MF/MM/BL/GUFS/Y/ EYMF Series
FF-45-3	F159	FF/MF/MM/BL/GUFS/Y/ EYMF Series
FF-45-3-EX	F160	FF/MF/MM/BL/GUFS/Y/ EYMF Series
FF-45-3M	F159	FF/MF/MM/BL/GUFS/Y/ EYMF Series
FF-45-3M-EX	F160	FF/MF/MM/BL/GUFS/Y/ EYMF Series
FF-45-6	F159	FF/MF/MM/BL/GUFS/Y/ EYMF Series
FF-45-6-EX	F160	FF/MF/MM/BL/GUFS/Y/ EYMF Series
FF-45-8	F159	FF/MF/MM/BL/GUFS/Y/ EYMF Series
FF-45-8-EX	F160	FF/MF/MM/BL/GUFS/Y/ EYMF Series
FF-45-8M	F159	FF/MF/MM/BL/GUFS/Y/ EYMF Series
FF-45-8M-EX	F160	FF/MF/MM/BL/GUFS/Y/ EYMF Series
FF-90-1	F159	FF/MF/MM/BL/GUFS/Y/ EYMF Series
FF-90-1-EX	F160	FF/MF/MM/BL/GUFS/Y/ EYMF Series

Part #	SEC./PG	PROD. GRP.
FF-90-1M	F159	FF/MF/MM/BL/GUFS/Y/ EYMF Series
FF-90-1M-EX	F160	FF/MF/MM/BL/GUFS/Y/ EYMF Series
FF-90-2	F159	FF/MF/MM/BL/GUFS/Y/ EYMF Series
FF-90-2-EX	F160	FF/MF/MM/BL/GUFS/Y/ EYMF Series
FF-90-2M	F159	FF/MF/MM/BL/GUFS/Y/ EYMF Series
FF-90-2M-EX	F160	FF/MF/MM/BL/GUFS/Y/ EYMF Series
FF-90-3	F159	FF/MF/MM/BL/GUFS/Y/ EYMF Series
FF-90-3-EX	F160	FF/MF/MM/BL/GUFS/Y/ EYMF Series
FF-90-3M	F159	FF/MF/MM/BL/GUFS/Y/ EYMF Series
FF-90-3M-EX	F160	FF/MF/MM/BL/GUFS/Y/ EYMF Series
FH-2	L105	FH/X Series
FKA-22	L103	FKA/LOOP
FS-1	F72	FS/FD/FSC Series
FS-1-CP	F21	K-PAK
FS-1M	F72	FS/FD/FSC Series
FS-2	F72	FS/FD/FSC Series
FS-2-CP	F21	K-PAK
FS-2M	F72	FS/FD/FSC Series
FS-3	F72	FS/FD/FSC Series
FS-3M	F72	FS/FD/FSC Series
FSA-1	F75	FSX/FSA/FDA/FSLB Series
FSA-2	F75	FSX/FSA/FDA/FSLB Series
FSBC	F84	FZ/FCL-GF/FST Series
FSBC-CP	F21	K-PAK
FSBCM	F84	FZ/FCL-GF/FST Series
FSC-1	F72	FS/FD/FSC Series
FSC-1-CP	F21	K-PAK
FSC-1M	F72	FS/FD/FSC Series
FSC-2	F72	FS/FD/FSC Series
FSC-2-CP	F21	K-PAK
FSC-2M	F72	FS/FD/FSC Series
FSC-3	F72	FS/FD/FSC Series
FSC-3M	F72	FS/FD/FSC Series
FSCA-1	F78	FSCA/FSCT Series
FSCA-1M	F78	FSCA/FSCT Series
FSCA-2	F78	FSCA/FSCT Series
FSCA-2M	F78	FSCA/FSCT Series
FSCC-1	F76	FSS/FSCC/FDCC Series
FSCC-1M	F76	FSS/FSCC/FDCC Series

NUMERIC INDEX

Part #	SEC./PG	PROD. GRP.
FSCC-2	F76	FSS/FSCC/FDCC Series
FSCC-2M	F76	FSS/FSCC/FDCC Series
FSCT-1	F78	FSCA/FSCT Series
FSCT-1M	F78	FSCA/FSCT Series
FSCT-2	F78	FSCA/FSCT Series
FSCT-2M	F78	FSCA/FSCT Series
FSL-1	F73	FDC/FSOC/FSL Series
FSL-1M	F73	FDC/FSOC/FSL Series
FSL-2	F73	FDC/FSOC/FSL Series
FSL-2M	F73	FDC/FSOC/FSL Series
FSLB-1	F75	FSX/FSA/FDA/FSLB Series
FSLB-2	F75	FSX/FSA/FDA/FSLB Series
FSOC-1	F73	FDC/FSOC/FSL Series
FSPT	F84	FZ/FCL-GF/FST Series
FSR-1	F74	FRS/FST Series
FSR-1M	F74	FRS/FST Series
FSR-2	F74	FRS/FST Series
FSR-2M	F74	FRS/FST Series
FSRG	F83	FS/FD Series
FSS-1	F76	FSS/FSCC/FDCC Series
FSS-1M	F76	FSS/FSCC/FDCC Series
FSS-2	F76	FSS/FSCC/FDCC Series
FSS-2M	F76	FSS/FSCC/FDCC Series
FST	F84	FZ/FCL-GF/FST Series
FST-1	F74	FRS/FST Series
FST-1M	F74	FRS/FST Series
FST-2	F74	FRS/FST Series
FST-2M	F74	FRS/FST Series
FST-CP	F21	K-PAK
FSTG	F84	FZ/FCL-GF/FST Series
FSX-1	F75	FSX/FSA/FDA/FSLB Series
FSX-1M	F75	FSX/FSA/FDA/FSLB Series
FSX-2	F75	FSX/FSA/FDA/FSLB Series
FSX-2M	F75	FSX/FSA/FDA/FSLB Series
FX-10	C52	FXB Series
FXB075SPCR	C52	FXB Series
FXB-1	C52, C59	FXB, FXS Series
FXB-10	C52	FXB Series
FXB10SPCR	C52	FXB Series
FXB-11	C52	FXB Series
FXB-12	C52	FXB Series
FXB15SPCR	C52	FXB Series
FXB-2	C52, C59	FXB, FXS Series

Part #	SEC./PG	PROD. GRP.
FXB20SPCR	C52	FXB Series
FXB-3	C52, C59	FXB, FXS Series
FXB-4	C52, C59	FXB, FXS Series
FXB-5	C52, C59	FXB, FXS Series
FXB-6	C52, C59	FXB, FXS Series
FXB-7	C52	FXB Series
FXB-8	C52	FXB Series
FXB-9	C52	FXB Series
FXCS-2S3L6G	C56	FXCS Series
FXCS-0A15	C55	FXCS Series
FXCS-0B1	C54	FXCS Series
FXCS-0B13-0	C55	FXCS Series
FXCS-0B13-C	C55	FXCS Series
FXCS-0B13-U	C55	FXCS Series
FXCS-0B2	C54	FXCS Series
FXCS-0B24CL	C54	FXCS Series
FXCS-0B24GL	C54	FXCS Series
FXCS-0B24RL	C54	FXCS Series
FXCS-0B3	C54	FXCS Series
FXCS-0B30CL	C55	FXCS Series
FXCS-0B30GL	C55	FXCS Series
FXCS-0B30RL	C55	FXCS Series
FXCS-0B30RL-GL	C55	FXCS Series
FXCS-0B4	C54	FXCS Series
FXCS-0B4U	C54	FXCS Series
FXCS-0B5	C54	FXCS Series
FXCS-0B7	C54	FXCS Series
FXCS-0K2A1	C56	FXCS Series
FXCS-0K2A5	C56	FXCS Series
FXCS-0K2L3F22D	C56	FXCS Series
FXCS-0K3C4	C56	FXCS Series
FXCS-0K3C5	C56	FXCS Series
FXCS-0K3L6G32D	C56	FXCS Series
FXCS-0K3M6G32D	C56	FXCS Series
FXCS-0K3R6G32D	C56	FXCS Series
FXCS-0MMG3	C55	FXCS Series
FXCS-0MMK3	C55	FXCS Series
FXCS-0MMR3	C55, C69	FXCS, X/XS/XCS Series
FXCS-0MMR3-LOM	C55	FXCS Series
FXCS-0S2A1	C56	FXCS Series
FXCS-0S2A5	C56	FXCS Series
FXCS-0S2L3F	C56	FXCS Series
FXCS-0S3C4	C56	FXCS Series
FXCS-0S3C5	C56	FXCS Series
FXCS-0S3L6G	C56	FXCS Series
FXCS-0S3M6G	C56	FXCS Series

Part #	SEC./PG	PROD. GRP.
FXCS-0S3R6G	C56	FXCS Series
FXCS-1A15	C55	FXCS Series
FXCS-1B1	C54	FXCS Series
FXCS-1B13-0	C55	FXCS Series
FXCS-1B13-0-M	C48	SEAL-XM Series
FXCS-1B13-C	C55	FXCS Series
FXCS-1B13-C-M	C48	SEAL-XM Series
FXCS-1B13-U	C55	FXCS Series
FXCS-1B13-U-M	C48	SEAL-XM Series
FXCS-1B1-M	C47	SEAL-XM Series
FXCS-1B2	C54	FXCS Series
FXCS-1B24-CL	C54	FXCS Series
FXCS-1B24CL-M	C47	SEAL-XM Series
FXCS-1B24-GL	C54	FXCS Series
FXCS-1B24GL-M	C47	SEAL-XM Series
FXCS-1B24-RL	C54	FXCS Series
FXCS-1B24RL-M	C47	SEAL-XM Series
FXCS-1B2-M	C47	SEAL-XM Series
FXCS-1B3	C54	FXCS Series
FXCS-1B30-CL	C55	FXCS Series
FXCS-1B30CL-M	C48	SEAL-XM Series
FXCS-1B30-GL	C55	FXCS Series
FXCS-1B30GL-M	C48	SEAL-XM Series
FXCS-1B30-RL	C55	FXCS Series
FXCS-1B30RL-GL	C55	FXCS Series
FXCS-1B30RL-GL-M	C48	SEAL-XM Series
FXCS-1B30RL-M	C48	SEAL-XM Series
FXCS-1B3-M	C47	SEAL-XM Series
FXCS-1B4	C54	FXCS Series
FXCS-1B4-M	C47	SEAL-XM Series
FXCS-1B4-U	C54	FXCS Series
FXCS-1B5	C54	FXCS Series
FXCS-1B5-M	C47	SEAL-XM Series
FXCS-1B7	C54	FXCS Series
FXCS-1B7-M	C47	SEAL-XM Series
FXCS-1K2A1	C56	FXCS Series
FXCS-1K2A1-M	C50	SEAL-XM Series
FXCS-1K2A5	C56	FXCS Series
FXCS-1K2A5-M	C50	SEAL-XM Series
FXCS-1K2L3F22D	C56	FXCS Series
FXCS-1K2L3F22D-M	C50	SEAL-XM Series
FXCS-1K3C4	C56	FXCS Series
FXCS-1K3C4-M	C50	SEAL-XM Series
FXCS-1K3C5	C56	FXCS Series
FXCS-1K3C5-M	C50	SEAL-XM Series
FXCS-1K3L6G32D	C56	FXCS Series

INTRODUCTION NUMERIC INDEX

Part #.....	SEC./PG	PROD. GRP.
FXCS-1K3L6G32D-M.....	C50	SEAL-XM Series
FXCS-1K3M6G32D.....	C56	FXCS Series
FXCS-1K3M6G32D-M.....	C50	SEAL-XM Series
FXCS-1K3R6G32D.....	C56	FXCS Series
FXCS-1K3R6G32D-M.....	C50	SEAL-XM Series
FXCS-1MMG3-M.....	C48	SEAL-XM Series
FXCS-1MMK3-M.....	C48	SEAL-XM Series
FXCS-1MMR3-M.....	C48	SEAL-XM Series
FXCS-1S2A1.....	C56	FXCS Series
FXCS-1S2A1-M.....	C49	SEAL-XM Series
FXCS-1S2A5.....	C56	FXCS Series
FXCS-1S2A5-M.....	C49	SEAL-XM Series
FXCS-1S2L3F.....	C56	FXCS Series
FXCS-1S2L3F-M.....	C49	SEAL-XM Series
FXCS-1S3C4.....	C56	FXCS Series
FXCS-1S3C4-M.....	C49	SEAL-XM Series
FXCS-1S3C5.....	C56	FXCS Series
FXCS-1S3C5-M.....	C49	SEAL-XM Series
FXCS-1S3L6G.....	C56	FXCS Series
FXCS-1S3L6G-M.....	C49	SEAL-XM Series
FXCS-1S3M6G.....	C56	FXCS Series
FXCS-1S3M6G-M.....	C49	SEAL-XM Series
FXCS-1S3R6G.....	C56	FXCS Series
FXCS-1S3R6G-M.....	C49	SEAL-XM Series
FXCS-2A15.....	C55	FXCS Series
FXCS-2B1.....	C54	FXCS Series
FXCS-2B13-0.....	C55	FXCS Series
FXCS-2B13-0-M.....	C48	SEAL-XM Series
FXCS-2B13-C.....	C55	FXCS Series
FXCS-2B13-C-M.....	C48	SEAL-XM Series
FXCS-2B13-U.....	C55	FXCS Series
FXCS-2B13-U-M.....	C48	SEAL-XM Series
FXCS-2B1-M.....	C47	SEAL-XM Series
FXCS-2B2.....	C54	FXCS Series
FXCS-2B24-CL.....	C54	FXCS Series
FXCS-2B24CL-M.....	C47	SEAL-XM Series
FXCS-2B24-GL.....	C54	FXCS Series
FXCS-2B24GL-M.....	C47	SEAL-XM Series
FXCS-2B24-RL.....	C54	FXCS Series
FXCS-2B24RL-M.....	C47	SEAL-XM Series
FXCS-2B2-M.....	C47	SEAL-XM Series
FXCS-2B3.....	C54	FXCS Series
FXCS-2B30-CL.....	C55	FXCS Series
FXCS-2B30CL-M.....	C48	SEAL-XM Series
FXCS-2B30-GL.....	C55	FXCS Series
FXCS-2B30GL-M.....	C48	SEAL-XM Series

Part #.....	SEC./PG	PROD. GRP.
FXCS-2B30-RL.....	C55	FXCS Series
FXCS-2B30RL-GL.....	C55	FXCS Series
FXCS-2B30RL-GL-M.....	C48	SEAL-XM Series
FXCS-2B30RL-M.....	C48	SEAL-XM Series
FXCS-2B3-M.....	C47	SEAL-XM Series
FXCS-2B4.....	C54	FXCS Series
FXCS-2B4-M.....	C47	SEAL-XM Series
FXCS-2B4-U.....	C54	FXCS Series
FXCS-2B5.....	C54	FXCS Series
FXCS-2B5-M.....	C47	SEAL-XM Series
FXCS-2B7.....	C54	FXCS Series
FXCS-2B7-M.....	C47	SEAL-XM Series
FXCS-2K2A1.....	C56	FXCS Series
FXCS-2K2A1-M.....	C50	SEAL-XM Series
FXCS-2K2A5.....	C56	FXCS Series
FXCS-2K2A5-M.....	C50	SEAL-XM Series
FXCS-2K2L3F22D.....	C56	FXCS Series
FXCS-2K2L3F22D-M.....	C50	SEAL-XM Series
FXCS-2K3C4.....	C56	FXCS Series
FXCS-2K3C4-M.....	C50	SEAL-XM Series
FXCS-2K3C5.....	C56	FXCS Series
FXCS-2K3C5-M.....	C50	SEAL-XM Series
FXCS-2K3L6G32D.....	C56	FXCS Series
FXCS-2K3L6G32D-M.....	C50	SEAL-XM Series
FXCS-2K3M6G32D.....	C56	FXCS Series
FXCS-2K3M6G32D-M.....	C50	SEAL-XM Series
FXCS-2K3R6G32D.....	C56	FXCS Series
FXCS-2K3R6G32D-M.....	C50	SEAL-XM Series
FXCS-2MMG3-M.....	C48	SEAL-XM Series
FXCS-2MMK3-M.....	C48	SEAL-XM Series
FXCS-2MMR3-M.....	C48	SEAL-XM Series
FXCS-2S2A1.....	C56	FXCS Series
FXCS-2S2A1-M.....	C49	SEAL-XM Series
FXCS-2S2A5.....	C56	FXCS Series
FXCS-2S2A5-M.....	C49	SEAL-XM Series
FXCS-2S2L3F.....	C56	FXCS Series
FXCS-2S2L3F-M.....	C49	SEAL-XM Series
FXCS-2S3C4.....	C56	FXCS Series
FXCS-2S3C4-M.....	C49	SEAL-XM Series
FXCS-2S3C5.....	C56	FXCS Series
FXCS-2S3C5-M.....	C49	SEAL-XM Series
FXCS-2S3L6G-M.....	C49	SEAL-XM Series
FXCS-2S3M6G.....	C56	FXCS Series
FXCS-2S3M6G-M.....	C49	SEAL-XM Series
FXCS-2S3R6G.....	C56	FXCS Series
FXCS-2S3R6G-M.....	C49	SEAL-XM Series

Part #.....	SEC./PG	PROD. GRP.
FXCS-4A15.....	C55	FXCS Series
FXCS-4B1.....	C54	FXCS Series
FXCS-4B13-0.....	C55	FXCS Series
FXCS-4B13-0-M.....	C48	SEAL-XM Series
FXCS-4B13-C.....	C55	FXCS Series
FXCS-4B13-C-M.....	C48	SEAL-XM Series
FXCS-4B13-U.....	C55	FXCS Series
FXCS-4B13-U-M.....	C48	SEAL-XM Series
FXCS-4B1-M.....	C47	SEAL-XM Series
FXCS-4B2.....	C54	FXCS Series
FXCS-4B24-CL.....	C54	FXCS Series
FXCS-4B24CL-M.....	C47	SEAL-XM Series
FXCS-4B24-GL.....	C54	FXCS Series
FXCS-4B24GL-M.....	C47	SEAL-XM Series
FXCS-4B24-RL.....	C54	FXCS Series
FXCS-4B24RL-M.....	C47	SEAL-XM Series
FXCS-4B2-M.....	C47	SEAL-XM Series
FXCS-4B3.....	C54	FXCS Series
FXCS-4B30-CL.....	C55	FXCS Series
FXCS-4B30CL-M.....	C48	SEAL-XM Series
FXCS-4B30-GL.....	C55	FXCS Series
FXCS-4B30GL-M.....	C48	SEAL-XM Series
FXCS-4B30-RL.....	C55	FXCS Series
FXCS-4B30RL-GL.....	C55	FXCS Series
FXCS-4B30RL-GL-M.....	C48	SEAL-XM Series
FXCS-4B30RL-M.....	C48	SEAL-XM Series
FXCS-4B3-M.....	C47	SEAL-XM Series
FXCS-4B4.....	C54	FXCS Series
FXCS-4B4-M.....	C47	SEAL-XM Series
FXCS-4B4-U.....	C54	FXCS Series
FXCS-4B5.....	C54	FXCS Series
FXCS-4B5-M.....	C47	SEAL-XM Series
FXCS-4B7.....	C54	FXCS Series
FXCS-4B7-M.....	C47	SEAL-XM Series
FXCS-4K2A1.....	C56	FXCS Series
FXCS-4K2A1-M.....	C50	SEAL-XM Series
FXCS-4K2A5.....	C56	FXCS Series
FXCS-4K2A5-M.....	C50	SEAL-XM Series
FXCS-4K2L3F22D.....	C56	FXCS Series
FXCS-4K2L3F22D-M.....	C50	SEAL-XM Series
FXCS-4K3C4.....	C56	FXCS Series
FXCS-4K3C4-M.....	C50	SEAL-XM Series
FXCS-4K3C5.....	C56	FXCS Series
FXCS-4K3C5-M.....	C50	SEAL-XM Series
FXCS-4K3L6G32D.....	C56	FXCS Series
FXCS-4K3L6G32D-M.....	C50	SEAL-XM Series

NUMERIC INDEX

Part #	SEC./PG	PROD. GRP.
FXCS-4K3M6G32D	C56	FXCS Series
FXCS-4K3M6G32D-M	C50	SEAL-XM Series
FXCS-4K3R6G32D	C56	FXCS Series
FXCS-4K3R6G32D-M	C50	SEAL-XM Series
FXCS-4MMG3-M	C48	SEAL-XM Series
FXCS-4MMK3-M	C48	SEAL-XM Series
FXCS-4MMR3-M	C48	SEAL-XM Series
FXCS-4S2A1	C56	FXCS Series
FXCS-4S2A1-M	C49	SEAL-XM Series
FXCS-4S2A5	C56	FXCS Series
FXCS-4S2A5-M	C49	SEAL-XM Series
FXCS-4S2L3F	C56	FXCS Series
FXCS-4S2L3F-M	C49	SEAL-XM Series
FXCS-4S3C4	C56	FXCS Series
FXCS-4S3C4-M	C49	SEAL-XM Series
FXCS-4S3C5	C56	FXCS Series
FXCS-4S3C5-M	C49	SEAL-XM Series
FXCS-4S3L6G	C56	FXCS Series
FXCS-4S3L6G-M	C49	SEAL-XM Series
FXCS-4S3M6G	C56	FXCS Series
FXCS-4S3M6G-M	C49	SEAL-XM Series
FXCS-4S3R6G	C56	FXCS Series
FXCS-4S3R6G-M	C49	SEAL-XM Series
FXCS-5A15	C55	FXCS Series
FXCS-5B1	C54	FXCS Series
FXCS-5B13-0	C55	FXCS Series
FXCS-5B13-0-M	C48	SEAL-XM Series
FXCS-5B13-C	C55	FXCS Series
FXCS-5B13-C-M	C48	SEAL-XM Series
FXCS-5B13-U	C55	FXCS Series
FXCS-5B13-U-M	C48	SEAL-XM Series
FXCS-5B1-M	C47	SEAL-XM Series
FXCS-5B2	C54	FXCS Series
FXCS-5B24-CL	C54	FXCS Series
FXCS-5B24CL-M	C47	SEAL-XM Series
FXCS-5B24-GL	C54	FXCS Series
FXCS-5B24GL-M	C47	SEAL-XM Series
FXCS-5B24-RL	C54	FXCS Series
FXCS-5B24RL-M	C47	SEAL-XM Series
FXCS-5B2-M	C47	SEAL-XM Series
FXCS-5B3	C54	FXCS Series
FXCS-5B30-CL	C55	FXCS Series
FXCS-5B30CL-M	C48	SEAL-XM Series
FXCS-5B30-GL	C55	FXCS Series
FXCS-5B30GL-M	C48	SEAL-XM Series
FXCS-5B30-RL	C55	FXCS Series

Part #	SEC./PG	PROD. GRP.
FXCS-5B30RL-GL	C55	FXCS Series
FXCS-5B30RL-GL-M	C48	SEAL-XM Series
FXCS-5B30RL-M	C48	SEAL-XM Series
FXCS-5B3-M	C47	SEAL-XM Series
FXCS-5B4	C54	FXCS Series
FXCS-5B4-M	C47	SEAL-XM Series
FXCS-5B4-U	C54	FXCS Series
FXCS-5B5	C54	FXCS Series
FXCS-5B5-M	C47	SEAL-XM Series
FXCS-5B7	C54	FXCS Series
FXCS-5B7-M	C47	SEAL-XM Series
FXCS-5K2A1	C56	FXCS Series
FXCS-5K2A1-M	C50	SEAL-XM Series
FXCS-5K2A5	C56	FXCS Series
FXCS-5K2A5-M	C50	SEAL-XM Series
FXCS-5K2L3F22D	C56	FXCS Series
FXCS-5K2L3F22D-M	C50	SEAL-XM Series
FXCS-5K3C4	C56	FXCS Series
FXCS-5K3C4-M	C50	SEAL-XM Series
FXCS-5K3C5	C56	FXCS Series
FXCS-5K3C5-M	C50	SEAL-XM Series
FXCS-5K3L6G32D	C56	FXCS Series
FXCS-5K3L6G32D-M	C50	SEAL-XM Series
FXCS-5K3M6G32D	C56	FXCS Series
FXCS-5K3M6G32D-M	C50	SEAL-XM Series
FXCS-5K3R6G32D	C56	FXCS Series
FXCS-5K3R6G32D-M	C50	SEAL-XM Series
FXCS-5MMG3-M	C48	SEAL-XM Series
FXCS-5MMK3-M	C48	SEAL-XM Series
FXCS-5MMR3-M	C48	SEAL-XM Series
FXCS-5S2A1	C56	FXCS Series
FXCS-5S2A1-M	C49	SEAL-XM Series
FXCS-5S2A5	C56	FXCS Series
FXCS-5S2A5-M	C49	SEAL-XM Series
FXCS-5S2L3F	C56	FXCS Series
FXCS-5S2L3F-M	C49	SEAL-XM Series
FXCS-5S3C4	C56	FXCS Series
FXCS-5S3C4-M	C49	SEAL-XM Series
FXCS-5S3C5	C56	FXCS Series
FXCS-5S3C5-M	C49	SEAL-XM Series
FXCS-5S3L6G	C56	FXCS Series
FXCS-5S3L6G-M	C49	SEAL-XM Series
FXCS-5S3M6G	C56	FXCS Series
FXCS-5S3M6G-M	C49	SEAL-XM Series
FXCS-5S3R6G	C56	FXCS Series
FXCS-5S3R6G-M	C49	SEAL-XM Series

Part #	SEC./PG	PROD. GRP.
FXS-11C	C58	FXS Series
FXS-11D	C58	FXS Series
FXS-12C	C58	FXS Series
FXS-12D	C58	FXS Series
FXS-13C	C58	FXS Series
FXS-15C	C58	FXS Series
FXS-16C	C58	FXS Series
FXS-18C	C58	FXS Series
FXS-1C	C58	FXS Series
FXS-1D	C58	FXS Series
FXS-21C	C58	FXS Series
FXS-21D	C58	FXS Series
FXS-22C	C58	FXS Series
FXS-22D	C58	FXS Series
FXS-23C	C58	FXS Series
FXS-25C	C58	FXS Series
FXS-26C	C58	FXS Series
FXS-28C	C58	FXS Series
FXS-2C	C58	FXS Series
FXS-2D	C58	FXS Series
FXS-3C	C58	FXS Series
FXS-41C	C58	FXS Series
FXS-41D	C58	FXS Series
FXS-42C	C58	FXS Series
FXS-42D	C58	FXS Series
FXS-43C	C58	FXS Series
FXS-45C	C58	FXS Series
FXS-46C	C58	FXS Series
FXS-48C	C58	FXS Series
FXS-4C	C58	FXS Series
FXS-51C	C58	FXS Series
FXS-51D	C58	FXS Series
FXS-52C	C58	FXS Series
FXS-52D	C58	FXS Series
FXS-53C	C58	FXS Series
FXS-55C	C58	FXS Series
FXS-56C	C58	FXS Series
FXS-58C	C58	FXS Series
FXS-5C	C58	FXS Series
FXS-6C	C58	FXS Series
FXS-8C	C58	FXS Series
FXSD01	S11	XSD/XSX/FXSD/FXSX Series
FXSD02	S11	XSD/XSX/FXSD/FXSX Series
FXSD11	S11	XSD/XSX/FXSD/FXSX Series

INTRODUCTION NUMERIC INDEX

Part #	SEC./PG	PROD. GRP.
FXSD12	S11	XSD/XSX/FXSD/FXSX Series
FXSD21	S11	XSD/XSX/FXSD/FXSX Series
FXSD22	S11	XSD/XSX/FXSD/FXSX Series
FXSD41	S11	XSD/XSX/FXSD/FXSX Series
FXSD42	S11	XSD/XSX/FXSD/FXSX Series
FXSD51	S11	XSD/XSX/FXSD/FXSX Series
FXSD52	S11	XSD/XSX/FXSD/FXSX Series
FXS-GFI03	C59	FXS Series
FXS-GFI-1020	C59	FXS Series
FXS-GFI-1120	C59	FXS Series
FXS-GFI-2020	C59	FXS Series
FXS-GFI-2120	C59	FXS Series
FXS-GFI-3020	C59	FXS Series
FXS-GFI-3120	C59	FXS Series
FXSX02	S11	XSD/XSX/FXSD/FXSX Series
FXSX03	S11	XSD/XSX/FXSD/FXSX Series
FXSX12	S11	XSD/XSX/FXSD/FXSX Series
FXSX13	S11	XSD/XSX/FXSD/FXSX Series
FXSX22	S11	XSD/XSX/FXSD/FXSX Series
FXSX23	S11	XSD/XSX/FXSD/FXSX Series
FXSX42	S11	XSD/XSX/FXSD/FXSX Series
FXSX43	S11	XSD/XSX/FXSD/FXSX Series
FXSX52	S11	XSD/XSX/FXSD/FXSX Series
FXSX53	S11	XSD/XSX/FXSD/FXSX Series
FZ	F85	FCL/FZ Series
FZ8647	F84, F85	FZ/FCL-GF/FST Series
FZ8648	F84, F85	FZ/FCL-GF/FST Series
G014-0G N34	C102	G Series
G014-6G N34	C102	G Series
G015-0G N34	C102	G Series
G015-6G N34	C102	G Series
G025-2A0F	C102	G Series
G025-2A3F	C102	G Series
G025-3C0G	C102	G Series
G025-3C3G	C102	G Series
G025-4H0H	C102	G Series

Part #	SEC./PG	PROD. GRP.
G025-4H8H	C102	G Series
G026-0F	C102	G Series
G026-3F	C102	G Series
G027-0G	C102	G Series
G027-6G	C102	G Series
G028-2A0F22D	C103	G Series
G028-2A3F22D	C103	G Series
G028-3C0G32D	C103	G Series
G028-3C3G32D	C103	G Series
G02-GR00D N34	C99	G Series
G02-GR12D N34	C99	G Series
G02-GR33D N34	C99	G Series
G02-KK00D N34	C99	G Series
G02-KK12D N34	C99	G Series
G02-KK33D N34	C99	G Series
G034-0G	C102	G Series
G034-6G	C102	G Series
G035-0G	C102	G Series
G035-6G	C102	G Series
G036-2L0F22D N34	C103	G Series
G036-2L3F22D N34	C103	G Series
G037-3C0G32D N34	C103	G Series
G037-3C6G32D N34	C103	G Series
G038-3L6G32D N34	C103	G Series
G038-3L0G32D N34	C103	G Series
G039-3R0G32D N34	C103	G Series
G039-3R6G32D N34	C103	G Series
G05-2A0F N34	C102	G Series
G05-2A3F N34	C102	G Series
G05-3C0G N34	C102	G Series
G05-3C3G N34	C102	G Series
G05-4H0H N34	C102	G Series
G05-4H8H N34	C102	G Series
G056-2L0F22D	C103	G Series
G056-2L3F22D	C103	G Series
G057-3C0G32D	C103	G Series
G057-3C6G32D	C103	G Series
G058-3L0G32D	C103	G Series
G058-3L6G32D	C103	G Series
G059-3R6G32D	C103	G Series
G06-0F N34	C102	G Series
G06-3F N34	C102	G Series
G07-0G N34	C102	G Series
G07-6G N34	C102	G Series
G08-2A0F22D N34	C103	G Series
G08-2A3F22D N34	C103	G Series

Part #	SEC./PG	PROD. GRP.
G08-3C0G32D N34	C103	G Series
G08-3C3G32D N34	C103	G Series
GOL14	C102	G Series
GOL146	C102	G Series
GOL15	C102	G Series
GOL156	C102	G Series
GOL36L022D	C103	G Series
GOL36L322D	C103	G Series
GOL37C032D	C103	G Series
GOL37C632D	C103	G Series
GOL38L032D	C103	G Series
GOL38L632D	C103	G Series
GOL39R032D	C103	G Series
GOL39R632D	C103	G Series
GOL52A	C102	G Series
GOL52A3	C102	G Series
GOL53C	C102	G Series
GOL53C3	C102	G Series
GOL54H	C102	G Series
GOL54H8	C102	G Series
GOL6	C102	G Series
GOL63	C102	G Series
GOL7	C102	G Series
GOL76	C102	G Series
GOL82A022D	C103	G Series
GOL82A322D	C103	G Series
GOL83C032D	C103	G Series
GOL83C332D	C103	G Series
G16-20	CN110	HP20 Series
G18-20	CN110	HP20 Series
G20-20	CN110	HP20 Series
G22-20	CN110	HP20 Series
G24-20	CN110	HP20 Series
GASK571	F19	DURALOY 7 Series
GASK572	F19	DURALOY 7 Series
GASK573	F19	DURALOY 7 Series
GASK574	F19	DURALOY 7 Series
GASK575	F19	DURALOY 7 Series
GASK576	F19	DURALOY 7 Series
GASK578	F19	DURALOY 7 Series
GASK579	F19	DURALOY 7 Series
GASK805N	F27	DURALOY 8 Series
GASK806N	F27	DURALOY 8 Series
GASK808N	F27	DURALOY 8 Series
GASK809N	F27	DURALOY 8 Series
GASK851N	F27	DURALOY 8 Series

INTRODUCTION

NUMERIC INDEX

Part #	SEC./PG	PROD. GRP.
GASK852N	F27	DURALOY 8 Series
GASK853N	F27	DURALOY 8 Series
GASK854N	F27	DURALOY 8 Series
GCS-13	C105	GCS/SWBC Series
GCS-131	C105	GCS/SWBC Series
GCS-14	C105	GCS/SWBC Series
GCS-141	C105	GCS/SWBC Series
GCS-15	C105	GCS/SWBC Series
GCS-152	C105	GCS/SWBC Series
GCS-16	C105	GCS/SWBC Series
GCS-163	C105	GCS/SWBC Series
GCS-83	C105	GCS/SWBC Series
GCS-834	C105	GCS/SWBC Series
GCS-835	C105	GCS/SWBC Series
GCS-85	C105	GCS/SWBC Series
GD-B1516-23SL-TC	CN64	Explosionproof Starline
GD-B1516-23SL-XX	CN64	Explosionproof Starline
GD-B1516-51SL-TC	CN64	Explosionproof Starline
GD-B1516-51SL-XX	CN64	Explosionproof Starline
GD-B1520-36SL-TC	CN64	Explosionproof Starline
GD-B1520-36SL-XX	CN64	Explosionproof Starline
GD-B1520-40SL-TC	CN64	Explosionproof Starline
GD-B1520-40SL-XX	CN64	Explosionproof Starline
GD-B1520-56SL-TC	CN64	Explosionproof Starline
GD-B1520-56SL-XX	CN64	Explosionproof Starline
GD-B1520-61SL-TC	CN64	Explosionproof Starline
GD-B1520-61SL-XX	CN64	Explosionproof Starline
GD-B1524-29SL-TC	CN64	Explosionproof Starline
GD-B1524-29SL-XX	CN64	Explosionproof Starline
GD-B1524-32SL-TC	CN64	Explosionproof Starline
GD-B1524-32SL-XX	CN64	Explosionproof Starline
GD-B1524-39SL-TC	CN64	Explosionproof Starline
GD-B1524-39SL-XX	CN64	Explosionproof Starline
GD-B1524-60SL-TC	CN64	Explosionproof Starline
GD-B1524-60SL-XX	CN64	Explosionproof Starline
GD-B1528-23SL-TC	CN64	Explosionproof Starline
GD-B1528-23SL-XX	CN64	Explosionproof Starline
GD-B1716-23SL-FH	CN64	Explosionproof Starline
GD-B1716-23SL-L36	CN64	Explosionproof Starline
GD-B1716-51SL-FH	CN64	Explosionproof Starline
GD-B1716-51SL-L36	CN64	Explosionproof Starline
GD-B1720-36SL-FH	CN64	Explosionproof Starline
GD-B1720-36SL-L36	CN64	Explosionproof Starline
GD-B1720-40SL-FH	CN64	Explosionproof Starline
GD-B1720-40SL-L36	CN64	Explosionproof Starline
GD-B1720-56SL-FH	CN64	Explosionproof Starline

Part #	SEC./PG	PROD. GRP.
GD-B1720-56SL-L36	CN64	Explosionproof Starline
GD-B1720-61SL-FH	CN64	Explosionproof Starline
GD-B1720-61SL-L36	CN64	Explosionproof Starline
GD-B1724-29SL-BK	CN64	Explosionproof Starline
GD-B1724-29SL-L36	CN64	Explosionproof Starline
GD-B1724-32SL-BK	CN64	Explosionproof Starline
GD-B1724-32SL-L36	CN64	Explosionproof Starline
GD-B1724-39SL-BK	CN64	Explosionproof Starline
GD-B1724-39SL-L36	CN64	Explosionproof Starline
GD-B1724-60SL-BK	CN64	Explosionproof Starline
GD-B1724-60SL-L36	CN64	Explosionproof Starline
GD-B1728-23SL-BL	CN64	Explosionproof Starline
GD-B1728-23SL-L36	CN64	Explosionproof Starline
GD-B1916-23SL-L48	CN64	Explosionproof Starline
GD-B1916-51SL-L48	CN64	Explosionproof Starline
GD-B1920-36SL-L48	CN64	Explosionproof Starline
GD-B1920-40SL-L48	CN64	Explosionproof Starline
GD-B1920-56SL-L48	CN64	Explosionproof Starline
GD-B1920-61SL-L48	CN64	Explosionproof Starline
GD-B1924-29SL-L48	CN64	Explosionproof Starline
GD-B1924-32SL-L48	CN64	Explosionproof Starline
GD-B1924-39SL-L48	CN64	Explosionproof Starline
GD-B1924-60SL-L48	CN64	Explosionproof Starline
GD-B1928-23SL-L48	CN64	Explosionproof Starline
GD-D1016-23PL-TC	CN64	Explosionproof Starline
GD-D1016-23PL-XX	CN64	Explosionproof Starline
GD-D1016-51PL-TC	CN64	Explosionproof Starline
GD-D1016-51PL-XX	CN64	Explosionproof Starline
GD-D1020-36PL-TC	CN64	Explosionproof Starline
GD-D1020-36PL-XX	CN64	Explosionproof Starline
GD-D1020-40PL-TC	CN64	Explosionproof Starline
GD-D1020-40PL-XX	CN64	Explosionproof Starline
GD-D1020-56PL-TC	CN64	Explosionproof Starline
GD-D1020-56PL-XX	CN64	Explosionproof Starline
GD-D1020-61PL-TC	CN64	Explosionproof Starline
GD-D1020-61PL-XX	CN64	Explosionproof Starline
GD-D1024-29PL-TC	CN64	Explosionproof Starline
GD-D1024-29PL-XX	CN64	Explosionproof Starline
GD-D1024-32PL-TC	CN64	Explosionproof Starline
GD-D1024-32PL-XX	CN64	Explosionproof Starline
GD-D1024-39PL-TC	CN64	Explosionproof Starline
GD-D1024-39PL-XX	CN64	Explosionproof Starline
GD-D1024-60PL-TC	CN64	Explosionproof Starline
GD-D1024-60PL-XX	CN64	Explosionproof Starline
GD-D1028-23PL-TC	CN64	Explosionproof Starline
GD-D1028-23PL-XX	CN64	Explosionproof Starline

Part #	SEC./PG	PROD. GRP.
GDT-B1528-42SL-TC	CN64	Explosionproof Starline
GDT-B1528-42SL-XX	CN64	Explosionproof Starline
GDT-B1728-42SL-BL	CN64	Explosionproof Starline
GDT-B1728-42SL-L36	CN64	Explosionproof Starline
GDT-B1928-42SL-L48	CN64	Explosionproof Starline
GDT-D1028-42PL-TC	CN64	Explosionproof Starline
GDT-D1028-42PL-XX	CN64	Explosionproof Starline
GDU-B1528-30SL-TC	CN64	Explosionproof Starline
GDU-B1528-30SL-XX	CN64	Explosionproof Starline
GDU-B1528-31SL-TC	CN64	Explosionproof Starline
GDU-B1528-31SL-XX	CN64	Explosionproof Starline
GDU-B1728-30SL-BL	CN64	Explosionproof Starline
GDU-B1728-30SL-L36	CN64	Explosionproof Starline
GDU-B1728-31SL-BL	CN64	Explosionproof Starline
GDU-B1728-31SL-L36	CN64	Explosionproof Starline
GDU-B1928-30SL-L48	CN64	Explosionproof Starline
GDU-B1928-31SL-L48	CN64	Explosionproof Starline
GDU-D1028-30PL-TC	CN64	Explosionproof Starline
GDU-D1028-30PL-XX	CN64	Explosionproof Starline
GDU-D1028-31PL-TC	CN64	Explosionproof Starline
GDU-D1028-31PL-XX	CN64	Explosionproof Starline
GEBC-1-EX	F121	GEB Series
GEBC-2	F118	GEB Series
GEBC-2-10TBZD-EX	E51	GEB Series
GEBC-2-6TBMK-EX	E51	GEB Series
GEBC-2-8TBMK-EX	E51	GEB Series
GEBC-2-EX	F121	GEB Series
GEBC-3	F118	GEB Series
GEBC-310TBZD-EX	E51	GEB Series
GEBC-3-6TBMK-EX	E51	GEB Series
GEBC-3-8TBMK-EX	E51	GEB Series
GEBC-3-EX	F121	GEB Series
GEBC-4	F118	GEB Series
GEBC-4-EX	F121	GEB Series
GEBC-5	F118	GEB Series
GEBC-5-EX	F121	GEB Series
GEBL-1-EX	F121	GEB Series
GEBL-2	F118	GEB Series
GEBL-2-EX	F121	GEB Series
GEBL-3	F118	GEB Series
GEBL-3-EX	F121	GEB Series
GEBL-4	F118	GEB Series
GEBL-4-EX	F121	GEB Series
GEBL-5	F118	GEB Series
GEBL-5-EX	F121	GEB Series
GEBT-1-EX	F121	GEB Series

INTRODUCTION NUMERIC INDEX

Part #.....	SEC./PG	PROD. GRP.
GEBT-2.....	F119	GEB Series
GEBT-2-10TBZD-EX.....	E51	GEB Series
GEBT-24.....	F119	GEB Series
GEBT-24-EX.....	F121	GEB Series
GEBT-25.....	F119	GEB Series
GEBT-25-EX.....	F121	GEB Series
GEBT-2-6TBMK-EX.....	E51	GEB Series
GEBT-2-8TBMK-EX.....	E51	GEB Series
GEBT-2-EX.....	F121	GEB Series
GEBT-3.....	F119	GEB Series
GEBT-310TBZD-EX.....	E51	GEB Series
GEBT-3-6TBMK-EX.....	E51	GEB Series
GEBT-3-8TBMK-EX.....	E51	GEB Series
GEBT-3-EX.....	F121	GEB Series
GEBT-4.....	F119	GEB Series
GEBT-4-EX.....	F121	GEB Series
GEBT-5.....	F119	GEB Series
GEBT-5-EX.....	F121	GEB Series
GEBX-1-EX.....	F121	GEB Series
GEBX-2.....	F119	GEB Series
GEBX-2-10TBZD-EX.....	E51	GEB Series
GEBX-25.....	F119	GEB Series
GEBX-25-EX.....	F121	GEB Series
GEBX-2-6TBMK-EX.....	E51	GEB Series
GEBX-2-8TBMK-EX.....	E51	GEB Series
GEBX-2-EX.....	F121	GEB Series
GEBX-3.....	F119	GEB Series
GEBX-310TBZD-EX.....	E51	GEB Series
GEBX-3-6TBMK-EX.....	E51	GEB Series
GEBX-3-8TBMK-EX.....	E51	GEB Series
GEBX-3-EX.....	F121	GEB Series
GEBX-4.....	F119	GEB Series
GEBX-4-EX.....	F121	GEB Series
GEBX-5.....	F119	GEB Series
GEBX-5-EX.....	F121	GEB Series
GECBC.....	F129	GE Series
GECBCB.....	F129	GE Series
GECBCM.....	F129	GE Series
GECCAT-1.....	F126	GE Series
GECCAT-1M.....	F126	GE Series
GECCT-1.....	F124	GE Series
GECCT-1M.....	F124	GE Series
GECCT-2.....	F124	GE Series
GECCT-2-6TB.....	E49	GE Series
GECCT-2M.....	F124	GE Series
GECCT-3.....	F124	GE Series

Part #.....	SEC./PG	PROD. GRP.
GECCT-3M.....	F124	GE Series
GECEAT-2.....	F126	GE Series
GECEAT-2M.....	F126	GE Series
GECEAT-1.....	F123	GE Series
GECEAT-1M.....	F123	GE Series
GECEAT-2.....	F123	GE Series
GECEAT-2M.....	F123	GE Series
GECEAT-3.....	F123	GE Series
GECEAT-3M.....	F123	GE Series
GECEY.....	F129	GE Series
GECLBT-1.....	F125	GE Series
GECLBT-1M.....	F125	GE Series
GECLBT-2.....	F125	GE Series
GECLBT-2M.....	F125	GE Series
GECLBT-3.....	F125	GE Series
GECLBT-3M.....	F125	GE Series
GECLT-1.....	F124	GE Series
GECLT-1M.....	F124	GE Series
GECLT-2.....	F124	GE Series
GECLT-2M.....	F124	GE Series
GECLT-3.....	F124	GE Series
GECLT-3M.....	F124	GE Series
GEC-ORG.....	F129	GE Series
GEC-RG.....	F129, F133-F134	GE, GR Series
GECTAT-2.....	F126	GE Series
GECTAT-2M.....	F126	GE Series
GECTT-1.....	F125	GE Series
GECTT-1M.....	F125	GE Series
GECTT-2.....	F125	GE Series
GECTT-2-6TB.....	E49	GE Series
GECTT-2M.....	F125	GE Series
GECTT-3.....	F125	GE Series
GECTT-3M.....	F125	GE Series
GECUET-2.....	F128	GEC Series
GECUET-2M.....	F128	GEC Series
GECXAT-1.....	F126	GE Series
GECXAT-1M.....	F126	GE Series
GECXAT-2.....	F126	GE Series
GECXAT-2M.....	F126	GE Series
GECXAT-3.....	F126	GE Series
GECXAT-3M.....	F126	GE Series
GECXAT-1.....	F125	GE Series
GECXAT-1M.....	F125	GE Series
GECXAT-2.....	F125	GE Series
GECXAT-2-6TB.....	E49	GE Series
GECXAT-2M.....	F125	GE Series

Part #.....	SEC./PG	PROD. GRP.
GECXT-3.....	F125	GE Series
GECXT-3M.....	F125	GE Series
GECXTF-1.....	F128	GEC Series
GECXTF-1M.....	F128	GEC Series
GECXTF-2.....	F128	GEC Series
GECXTF-2-6TB.....	E49	GE Series
GECXTF-2M.....	F128	GEC Series
GECXTF-3.....	F128	GEC Series
GECXTF-3M.....	F128	GEC Series
GEJCT-5.....	F124	GE Series
GEJCT-5M.....	F124	GE Series
GEJCT-6.....	F124	GE Series
GEJCT-6M.....	F124	GE Series
GEJET-5.....	F123	GE Series
GEJET-5M.....	F123	GE Series
GEJEY.....	F129	GE Series
GEJLBT-5.....	F125	GE Series
GEJLBT-5M.....	F125	GE Series
GEJLBT-6.....	F125	GE Series
GEJLBT-6M.....	F125	GE Series
GEJLT-5.....	F124	GE Series
GEJLT-5M.....	F124	GE Series
GEJLT-6.....	F124	GE Series
GEJLT-6M.....	F124	GE Series
GEJTT-5.....	F125	GE Series
GEJTT-5M.....	F125	GE Series
GEJTT-6.....	F125	GE Series
GEJTT-6M.....	F125	GE Series
GEJXT-5.....	F125	GE Series
GEJXT-5M.....	F125	GE Series
GEJXT-6.....	F125	GE Series
GEJXT-6M.....	F125	GE Series
GEMBC.....	F129	GE Series
GEMC-1.....	F124	GE Series
GEMC-2.....	F124	GE Series
GEMCA-1.....	F126	GE Series
GEMCA-2.....	F126	GE Series
GEMEY.....	F129	GE Series
GEML-1.....	F124	GE Series
GEML-2.....	F124	GE Series
GEMLA-1.....	F126	GE Series
GEMLA-2.....	F126	GE Series
GEMLB-1.....	F125	GE Series
GEMLB-2.....	F125	GE Series
GEM-RG.....	F129	GE Series
GEMT-1.....	F125	GE Series

INTRODUCTION

NUMERIC INDEX

Part #	SEC./PG	PROD. GRP.
GEMT-2	F125	GE Series
GEMTA-1	F126	GE Series
GEMTA-2	F126	GE Series
GEMX-1	F125	GE Series
GEMX-2	F125	GE Series
GESBC	F129	GE Series
GESCAT-4	F126	GE Series
GESCAT-4M	F126	GE Series
GESCT-3	F124	GE Series
GESCT-3M	F124	GE Series
GESCT-4	F124	GE Series
GESCT-4M	F124	GE Series
GESEY	F129	GE Series
GESLBT-3	F125	GE Series
GESLBT-3M	F125	GE Series
GESLBT-4	F125	GE Series
GESLBT-4M	F125	GE Series
GESLT-3	F124	GE Series
GESLT-3M	F124	GE Series
GESLT-4	F124	GE Series
GESLT-4M	F124	GE Series
GES-RG	F129	GE Series
GESTT-3	F125	GE Series
GESTT-3M	F125	GE Series
GESTT-4	F125	GE Series
GESTT-4M	F125	GE Series
GESXAT-4	F126	GE Series
GESXAT-4M	F126	GE Series
GESXT-3	F125	GE Series
GESXT-3M	F125	GE Series
GESXT-4	F125	GE Series
GESXT-4M	F125	GE Series
GEUEAT-2	F128	GEC Series
GEUEAT-2M	F128	GEC Series
GFCS05151	DE47	GFCS Series
GFCS05152	DE47	GFCS Series
GFCS05201	DE47	GFCS Series
GFCS05202	DE47	GFCS Series
GFCS05301	DE47	GFCS Series
GFCS05302	DE47	GFCS Series
GFCS30151	DE47	GFCS Series
GFCS30152	DE47	GFCS Series
GFCS30201	DE47	GFCS Series
GFCS30202	DE47	GFCS Series
GFCS30301	DE47	GFCS Series
GFCS30302	DE47	GFCS Series

Part #	SEC./PG	PROD. GRP.
GL-275	E79	GR Series
GL-300	E79	GR Series
GL-375	E79	GR Series
GL-375	F129	GE Series
GL-537	E79	GR Series
GL-600	E79	GR Series
GL-775	E79	GR Series
GL-775	E79	GR Series
GL-775	E79	GR Series
GLXR13	E70	EXB / EXBLT Series
GLXR24	E70	EXB / EXBLT Series
GLXR27	E70	EXB / EXBLT Series
GLXR34	E70	EXB / EXBLT Series
GLXR36	E70	EXB / EXBLT Series
GLXR47	E70	EXB / EXBLT Series
GLXR59	E70	EXB / EXBLT Series
GLXR99	E70	EXB / EXBLT Series
GO10-31F N34	C104	G Series
GO10-33F N34	C104	G Series
GO10502	L55	EBS Series
GO-10502	C106	G Series
GO113 N34	C104	G Series
GO-11372-093	C104	G Series
GO-11388-078	C104	G Series
GO114 N34	C104	G Series
GO133	C104	G Series
GO134	C104	G Series
GO15726-A	C106	G Series
GO15726-B	C106	G Series
GO15726-C	C106	G Series
GO15726-F	C106	G Series
GO15726-G	C106	G Series
GO15726-R	C106	G Series
GO16	C104	G Series
GO17	C104	G Series
GO18	C104	G Series
GO19	C104	G Series
GO1-GX0C N34	C99	G Series
GO1-GX1B N34	C99	G Series
GO1-GX3C N34	C99	G Series
GO1-KX0C N34	C99	G Series
GO1-KX1C N34	C99	G Series
GO1-KX2C N34	C99	G Series
GO1-KX3C N34	C99	G Series
GO1-RX0C N34	C99	G Series
GO1-RX2B N34	C99	G Series

Part #	SEC./PG	PROD. GRP.
GO1-RX3C N34	C99	G Series
GO21-GZ0C	C99	G Series
GO21-GZ1B	C99	G Series
GO21-GZ3C	C99	G Series
GO21-KZ0C	C99	G Series
GO21-KZ1C	C99	G Series
GO21-KZ2C	C99	G Series
GO21-KZ3C	C99	G Series
GO21-RZ0C	C99	G Series
GO21-RZ2B	C99	G Series
GO21-RZ3C	C99	G Series
GO22-GR00D	C99	G Series
GO22-GR12D	C99	G Series
GO22-GR33D	C99	G Series
GO22-KK00D	C99	G Series
GO22-KK12D	C99	G Series
GO22-KK33D	C99	G Series
GO30-31F	C104	G Series
GO30-33F	C104	G Series
GO40-KX2C	C104	G Series
GO-51	C104	G Series
GO567-LOK	C69, C106	X/XS/XCS, G Series
GO59-3R0G32D	C103	G Series
GO-8176-1	C106	G Series
GO-8176-2	C106	G Series
GO-8176-3	C106	G Series
GO-8177	C106	G Series
GO-8222	C106	G Series
GO-8665	C106	G Series
GO-8670-32	C106	G Series
GO-8670-34	C106	G Series
GO-8671-42	C106	G Series
GO-8671-44	C106	G Series
GO-8673-BJE	C70, C107	XCS, G Series
GO-8673-BJH	C70, C107	XCS, G Series
GO-8673-BJJ	C70, C107	XCS, G Series
GO-8673-BJK	C70, C107	XCS, G Series
GO-8673-BJKJ	C70, C107	XCS, G Series
GO-9824	C106	G Series
GOB3-A23C N34	C100	G Series
GOB3-A23C N34 LED	C100	G Series
GOB3-A23C N34CN	C101	G Series
GOB3-A23C N34LEDCN	C101	G Series
GOB3-B23C N34	C100	G Series
GOB3-B23C N34CN	C101	G Series
GOB3-C23C N34	C100	G Series

INTRODUCTION NUMERIC INDEX

Part #..... SEC./PG PROD. GRP.

GOB3-C23C N34CN.....	C101	G Series
GOB3-F23C N34.....	C100	G Series
GOB3-F23C N34CN.....	C101	G Series
GOB3-G23C N34.....	C100	G Series
GOB3-G23C N34 LED.....	C100	G Series
GOB3-G23C N34CN.....	C101	G Series
GOB3-G23C N34LEDCN.....	C101	G Series
GOB3-R23C N34.....	C100	G Series
GOB3-R23C N34 LED.....	C100	G Series
GOB3-R23C N34CN.....	C101	G Series
GOB3-R23C N34LEDCN.....	C101	G Series
GOB4-A230C N34.....	C100	G Series
GOB4-A230C N34 LED.....	C100	G Series
GOB4-A230CN34CN.....	C101	G Series
GOB4-A230CN34LEDCN.....	C101	G Series
GOB4-A233C N34.....	C100	G Series
GOB4-A233C N34 LED.....	C100	G Series
GOB4-A233CN34CN.....	C101	G Series
GOB4-A233CN34LEDCN.....	C101	G Series
GOB4-B230C N34.....	C100	G Series
GOB4-B230CN34CN.....	C101	G Series
GOB4-B233C N34.....	C100	G Series
GOB4-B233CN34CN.....	C101	G Series
GOB4-C230C N34.....	C100	G Series
GOB4-C230CN34CN.....	C101	G Series
GOB4-C233C N34.....	C100	G Series
GOB4-C233CN34CN.....	C101	G Series
GOB4-F230C N34.....	C100	G Series
GOB4-F230CN34CN.....	C101	G Series
GOB4-F233C N34.....	C100	G Series
GOB4-F233CN34CN.....	C101	G Series
GOB4-G230C N34.....	C100	G Series
GOB4-G230C N34 LED.....	C100	G Series
GOB4-G230CN34CN.....	C101	G Series
GOB4-G230CN34LEDCN.....	C101	G Series
GOB4-G233C N34.....	C100	G Series
GOB4-G233C N34 LED.....	C100	G Series
GOB4-G233CN34CN.....	C101	G Series
GOB4-G233CN34LEDCN.....	C101	G Series
GOB4-R230C N34.....	C100	G Series
GOB4-R230C N34 LED.....	C100	G Series
GOB4-R230CN34CN.....	C101	G Series
GOB4-R230CN34LEDCN.....	C101	G Series
GOB4-R233C N34.....	C100	G Series
GOB4-R233C N34 LED.....	C100	G Series
GOB4-R233CN34CN.....	C101	G Series

Part #..... SEC./PG PROD. GRP.

GOB4-R233CN34LEDCN.....	C101	G Series
GOL113.....	C104	G Series
GOL114.....	C104	G Series
GOL1G.....	C99	G Series
GOL1G1.....	C99	G Series
GOL1G3.....	C99	G Series
GOL1K.....	C99	G Series
GOL1K1.....	C99	G Series
GOL1K2.....	C99	G Series
GOL1K3.....	C99	G Series
GOL1R.....	C99	G Series
GOL1R2.....	C99	G Series
GOL1R3.....	C99	G Series
GOL2GR.....	C99	G Series
GOL2GR12.....	C99	G Series
GOL2GR33.....	C99	G Series
GOL2KK.....	C99	G Series
GOL2KK12.....	C99	G Series
GOL2KK33.....	C99	G Series
GOL3A.....	C100	G Series
GOL3A LED.....	C100	G Series
GOL3ACN.....	C101	G Series
GOL3ALEDCN.....	C101	G Series
GOL3B.....	C100	G Series
GOL3BCN.....	C101	G Series
GOL3C.....	C100	G Series
GOL3CCN.....	C101	G Series
GOL3F.....	C100	G Series
GOL3FCN.....	C101	G Series
GOL3G.....	C100	G Series
GOL3G LED.....	C100	G Series
GOL3GCN.....	C101	G Series
GOL3GLEDCN.....	C101	G Series
GOL3R.....	C100	G Series
GOL3R LED.....	C100	G Series
GOL3RCN.....	C101	G Series
GOL3RLEDCN.....	C101	G Series
GOL4A.....	C100	G Series
GOL4A LED.....	C100	G Series
GOL4A0CN.....	C101	G Series
GOL4A0LEDCN.....	C101	G Series
GOL4A3.....	C100	G Series
GOL4A3 LED.....	C100	G Series
GOL4A3CN.....	C101	G Series
GOL4A3LEDCN.....	C101	G Series
GOL4B.....	C100	G Series

Part #..... SEC./PG PROD. GRP.

GOL4B0CN.....	C101	G Series
GOL4B3.....	C100	G Series
GOL4B3CN.....	C101	G Series
GOL4C.....	C100	G Series
GOL4C0CN.....	C101	G Series
GOL4C3.....	C100	G Series
GOL4C3CN.....	C101	G Series
GOL4F.....	C100	G Series
GOL4F0CN.....	C101	G Series
GOL4F3.....	C100	G Series
GOL4F3CN.....	C101	G Series
GOL4G.....	C100	G Series
GOL4G LED.....	C100	G Series
GOL4G0CN.....	C101	G Series
GOL4G0LEDCN.....	C101	G Series
GOL4G3.....	C100	G Series
GOL4G3 LED.....	C100	G Series
GOL4G3CN.....	C101	G Series
GOL4G3LEDCN.....	C101	G Series
GOL4R.....	C100	G Series
GOL4R LED.....	C100	G Series
GOL4R0CN.....	C101	G Series
GOL4R0LEDCN.....	C101	G Series
GOL4R3.....	C100	G Series
GOL4R3 LED.....	C100	G Series
GOL4R3CN.....	C101	G Series
GOL4R3LEDCN.....	C101	G Series
GOLED-A110.....	C70, C107	XCS, G Series
GOLED-B110.....	C70, C107	XCS, G Series
GOLED-G110.....	C70, C107	XCS, G Series
GOLED-R110.....	C70, C107	XCS, G Series
GOLED-W110.....	C70, C107	XCS, G Series
GOLED-W24.....	C70, C107	XCS, G Series
GOLED-W240.....	C70, C107	XCS, G Series
GOLRST.....	C104	G Series
GOM1-GM0C N34.....	C99	G Series
GOM1-GM3C N34.....	C99	G Series
GOM1-KM0C N34.....	C99	G Series
GOM1-KM3C N34.....	C99	G Series
GOM1-RM0C N34.....	C99	G Series
GOM1-RM3C N34.....	C99	G Series
GOM21-GM0C.....	C99	G Series
GOM21-GM3C.....	C99	G Series
GOM21-KM0C.....	C99	G Series
GOM21-KM3C.....	C99	G Series
GOM21-RM0C.....	C99	G Series

INTRODUCTION

NUMERIC INDEX

Part #	SEC./PG	PROD. GRP.
GOM21-RM3C	C99	G Series
GOMJUR	C107	G Series
GOML1G	C99	G Series
GOML1G3	C99	G Series
GOML1K	C99	G Series
GOML1K3	C99	G Series
GOML1R	C99	G Series
GOML1R3	C99	G Series
GOMLOCK	C93, C107	GZ, G Series
GOMSRD	C93, C107	GZ, G Series
GOMSTG	C107	G Series
GOMSTK	C107	G Series
GOMSTR	C107	G Series
GOR11-GR0D N34	C99	G Series
GOR11-GR6D N34	C99	G Series
GOR11-GR7D N34	C99	G Series
GOR11-GR8D N34	C99	G Series
GO-RL	C93, C106	GZ, G Series
GO-RST	C104	G Series
GRB	E78-E80	GR Series
GRB-275L	E78-E79	GR Series
GRBB	E79	GR Series
GRB-BC	E79	GR Series
GRB-RG	E79	GR Series
GRCEX-0	F133-F134	GR Series
GRE	E78-E80	GR Series
GRE-300L	E78-E79	GR Series
GREB	E79	GR Series
GRE-BC	E79	GR Series
GRE-RG	E79	GR Series
GRH	E78-E80	GR Series
GRH-775L	E78-E79	GR Series
GRH-775L52B	E81	GR Series
GRHA	E78-E80	GR Series
GRHA-775L	E78-E79	GR Series
GRHAB	E79	GR Series
GRHB	E79	GR Series
GRH-BC	E79	GR Series
GRHC	E78-E80	GR Series
GRHC-775L	E78-E79	GR Series
GRHCB	E79	GR Series
GRH-RG	E79	GR Series
GRK	E78-E80	GR Series
GRK-537L	E78, E79	GR Series
GRK-537L52A	E81	GR Series
GRK-537L52B	E81	GR Series

Part #	SEC./PG	PROD. GRP.
GRKB	E79	GR Series
GRK-BC	E79	GR Series
GRK-RG	E79	GR Series
GRL	E78-E80	GR Series
GRL-600L	E78-E79	GR Series
GRL-600L52B	E81	GR Series
GRL-600L52C	E81	GR Series
GRLB	E79	GR Series
GRL-BC	E79	GR Series
GRL-RG	E79	GR Series
GRM	E78-E80	GR Series
GRM-375L	E78-E79	GR Series
GRM-375L52	E81	GR Series
GRMB	E79	GR Series
GRM-BC	E79, F129	GR, GE Series
GRM-RG	E79, F129	GR, GE Series
GRR-1	F133	GR Series
GRR-2	F133	GR Series
GRR-3	F133	GR Series
GRSA	F133	GR Series
GRSS-1	F134	GR Series
GRSS-1L	F134	GR Series
GRSS-1M	F134	GR Series
GRSS-2	F134	GR Series
GRSS-2L	F134	GR Series
GRSS-2M	F134	GR Series
GRSS-3	F134	GR Series
GRSS-3L	F134	GR Series
GRSS-3M	F134	GR Series
GRSSA-1	F134	GR Series
GRSSA-2	F134	GR Series
GRUC-SC	F131	GRUE Series
GRUC-SCA	F131	GRUE Series
GRUE-100	F131	GRUE Series
GRUE-100A	F131	GRUE Series
GRUE-50	F131	GRUE Series
GRUE-50A	F131	GRUE Series
GRUE-75	F131	GRUE Series
GRUE-75A	F131	GRUE Series
GUF-0-EX	F142	GU/UN Series
GUF-1-EX	F142	GU/UN Series
GUF-2-EX	F142	GU/UN Series
GUF-3-EX	F142	GU/UN Series
GUF-4-EX	F142	GU/UN Series
GUF-5-EX	F142	GU/UN Series
GUF-6-EX	F142	GU/UN Series

Part #	SEC./PG	PROD. GRP.
GUF-7-EX	F142	GU/UN Series
GUF-8-EX	F142	GU/UN Series
GUF-9-EX	F142	GU/UN Series
GUFS-1	F159	FF/MF/MM/BL/GUFS/Y/ EYMF Series
GUFS-1-EX	F160	FF/MF/MM/BL/GUFS/Y/ EYMF Series
GUFS-1M	F159	FF/MF/MM/BL/GUFS/Y/ EYMF Series
GUFS-1M-EX	F160	FF/MF/MM/BL/GUFS/Y/ EYMF Series
GUFS-2	F159	FF/MF/MM/BL/GUFS/Y/ EYMF Series
GUFS-2-EX	F160	FF/MF/MM/BL/GUFS/Y/ EYMF Series
GUFS-2M	F159	FF/MF/MM/BL/GUFS/Y/ EYMF Series
GUFS-2M-EX	F160	FF/MF/MM/BL/GUFS/Y/ EYMF Series
GUM-0-EX	F142	GU/UN Series
GUM-1-EX	F142	GU/UN Series
GUM-2-EX	F142	GU/UN Series
GUM-3-EX	F142	GU/UN Series
GUM-4-EX	F142	GU/UN Series
GUM-5-EX	F142	GU/UN Series
GUM-6-EX	F142	GU/UN Series
GUM-7-EX	F142	GU/UN Series
GUM-8-EX	F142	GU/UN Series
GUM-9-EX	F142	GU/UN Series
GUMFS-1	F159	FF/MF/MM/BL/GUFS/Y/ EYMF Series
GUMFS-1-EX	F160	FF/MF/MM/BL/GUFS/Y/ EYMF Series
GUMFS-1M	F159	FF/MF/MM/BL/GUFS/Y/ EYMF Series
GUMFS-1M-EX	F160	FF/MF/MM/BL/GUFS/Y/ EYMF Series
GUMFS-2	F159	FF/MF/MM/BL/GUFS/Y/ EYMF Series
GUMFS-2-EX	F160	FF/MF/MM/BL/GUFS/Y/ EYMF Series
GUMFS-2M	F159	FF/MF/MM/BL/GUFS/Y/ EYMF Series
GUMFS-2M-EX	F160	FF/MF/MM/BL/GUFS/Y/ EYMF Series
GUML-1	F141	UNF/UNY Unions
GUML-1-EX	F142	GU/UN Series
GUML-1M	F141	UNF/UNY Unions
GUML-1M-EX	F142	GU/UN Series
GUML-2	F141	UNF/UNY Unions
GUML-2-EX	F142	GU/UN Series
GUML-2M	F141	UNF/UNY Unions

INTRODUCTION

NUMERIC INDEX

Part #.....	SEC./PG	PROD. GRP.
GUML-2M-EX.....	F142	GU/UN Series
GUML451.....	F141	UNF/UNY Unions
GUML452.....	F141	UNF/UNY Unions
GW24-20.....	CN110	HP20 Series
GZ113-100K.....	C90	GZ Series
GZ113-10K.....	C90	GZ Series
GZ113-1K.....	C90	GZ Series
GZ113-1M.....	C90	GZ Series
GZ113-220K.....	C90	GZ Series
GZ113-220R.....	C90	GZ Series
GZ113-22K.....	C90	GZ Series
GZ113-2K2.....	C90	GZ Series
GZ113-470K.....	C90	GZ Series
GZ113-470R.....	C90	GZ Series
GZ113-47K.....	C90	GZ Series
GZ113-4K7.....	C90	GZ Series
GZ114-100K.....	C91	GZ Series
GZ114-100R.....	C91	GZ Series
GZ114-10K.....	C91	GZ Series
GZ114-1K.....	C91	GZ Series
GZ114-200R.....	C91	GZ Series
GZ114-20K.....	C91	GZ Series
GZ114-2K.....	C91	GZ Series
GZ114-500R.....	C91	GZ Series
GZ114-50K.....	C91	GZ Series
GZ114-5K.....	C91	GZ Series
GZ133-100K.....	C90	GZ Series
GZ133-10K.....	C90	GZ Series
GZ133-1K.....	C90	GZ Series
GZ133-1M.....	C90	GZ Series
GZ133-220K.....	C90	GZ Series
GZ133-220R.....	C90	GZ Series
GZ133-22K.....	C90	GZ Series
GZ133-2K2.....	C90	GZ Series
GZ133-470K.....	C90	GZ Series
GZ133-470R.....	C90	GZ Series
GZ133-47K.....	C90	GZ Series
GZ133-4K7.....	C90	GZ Series
GZ134-100K.....	C91	GZ Series
GZ134-100R.....	C91	GZ Series
GZ134-10K.....	C91	GZ Series
GZ134-1K.....	C91	GZ Series
GZ134-200R.....	C91	GZ Series
GZ134-20K.....	C91	GZ Series
GZ134-2K.....	C91	GZ Series
GZ134-500R.....	C91	GZ Series

Part #.....	SEC./PG	PROD. GRP.
GZ134-50K.....	C91	GZ Series
GZ134-5K.....	C91	GZ Series
GZ14-6.....	C88	GZ Series
GZ15-6.....	C88	GZ Series
GZ1-AX3.....	C76	GZ Series
GZ1B-AX3.....	C76	GZ Series
GZ1B-BX3.....	C76	GZ Series
GZ1B-GX3.....	C76	GZ Series
GZ1B-KX3.....	C76	GZ Series
GZ1B-RX3.....	C76	GZ Series
GZ1B-WX3.....	C76	GZ Series
GZ1-BX3.....	C76	GZ Series
GZ1-GX3.....	C76	GZ Series
GZ1-KX3.....	C76	GZ Series
GZ1-RX3.....	C76	GZ Series
GZ1-WX3.....	C76	GZ Series
GZ21-AZ3.....	C76	GZ Series
GZ21B-AZ3.....	C76	GZ Series
GZ21B-BZ3.....	C76	GZ Series
GZ21B-GZ3.....	C76	GZ Series
GZ21B-KZ3.....	C76	GZ Series
GZ21B-RZ3.....	C76	GZ Series
GZ21B-WZ3.....	C76	GZ Series
GZ21-BZ3.....	C76	GZ Series
GZ21-GZ3.....	C76	GZ Series
GZ21-KZ3.....	C76	GZ Series
GZ21-RZ3.....	C76	GZ Series
GZ21-WZ3.....	C76	GZ Series
GZ22-GR12.....	C77	GZ Series
GZ22-KK11.....	C77	GZ Series
GZ22-KK12.....	C77	GZ Series
GZ23-A12.....	C80, C95	GZ Series
GZ23-A23.....	C80, C95	GZ Series
GZ23-A24.....	C80, C95	GZ Series
GZ23-A4.....	C80, C95	GZ Series
GZ23-A48.....	C80, C95	GZ Series
GZ23-B12.....	C80, C95	GZ Series
GZ23-B23.....	C80, C95	GZ Series
GZ23-B24.....	C80, C95	GZ Series
GZ23-B4.....	C80, C95	GZ Series
GZ23-B48.....	C80, C95	GZ Series
GZ23-C12.....	C80, C95	GZ Series
GZ23-C23.....	C80, C95	GZ Series
GZ23-C24.....	C80, C95	GZ Series
GZ23-C4.....	C80, C95	GZ Series
GZ23-C48.....	C80, C95	GZ Series

Part #.....	SEC./PG	PROD. GRP.
GZ23-G12.....	C80, C95	GZ Series
GZ23-G23.....	C80, C95	GZ Series
GZ23-G24.....	C80, C95	GZ Series
GZ23-G4.....	C80, C95	GZ Series
GZ23-G48.....	C80, C95	GZ Series
GZ23-R12.....	C80, C95	GZ Series
GZ23-R23.....	C80, C95	GZ Series
GZ23-R24.....	C80, C95	GZ Series
GZ23-R4.....	C80, C95	GZ Series
GZ23-R48.....	C80, C95	GZ Series
GZ24-A123.....	C81, C95	GZ Series
GZ24-A233.....	C81, C95	GZ Series
GZ24-A243.....	C81, C95	GZ Series
GZ24-A43.....	C81, C95	GZ Series
GZ24-B123.....	C81, C95	GZ Series
GZ24-B233.....	C81, C95	GZ Series
GZ24-B243.....	C81, C95	GZ Series
GZ24-B43.....	C81, C95	GZ Series
GZ24-C123.....	C81, C95	GZ Series
GZ24-C233.....	C81, C95	GZ Series
GZ24-C243.....	C81, C95	GZ Series
GZ24-C43.....	C81, C95	GZ Series
GZ24-G123.....	C81, C95	GZ Series
GZ24-G233.....	C81, C95	GZ Series
GZ24-G243.....	C81, C95	GZ Series
GZ24-G43.....	C81, C95	GZ Series
GZ24-R123.....	C81, C95	GZ Series
GZ24-R233.....	C81, C95	GZ Series
GZ24-R243.....	C81, C95	GZ Series
GZ24-R43.....	C81, C95	GZ Series
GZ25-2A3.....	C83	GZ Series
GZ25-2A6.....	C83	GZ Series
GZ25-2A8.....	C84	GZ Series
GZ25-3C3.....	C83	GZ Series
GZ25-3C8.....	C84	GZ Series
GZ25-3G3.....	C83	GZ Series
GZ25-3G8.....	C84	GZ Series
GZ25-4H8.....	C83	GZ Series
GZ25-4H88.....	C84	GZ Series
GZ26-3.....	C88	GZ Series
GZ27-6.....	C88	GZ Series
GZ28-2A3.....	C85	GZ Series
GZ28-2A322.....	C85	GZ Series
GZ28-2A6.....	C85	GZ Series
GZ28-2A8.....	C86	GZ Series
GZ28-3C3.....	C85	GZ Series

INTRODUCTION

NUMERIC INDEX

Part #	SEC./PG	PROD. GRP.	Part #	SEC./PG	PROD. GRP.	Part #	SEC./PG	PROD. GRP.
GZ28-3C332	C85	GZ Series	GZB3-B48	C80, C95	GZ Series	GZL113-220R	C90	GZ Series
GZ28-3C8	C86	GZ Series	GZB3-C12	C80, C95	GZ Series	GZL113-22K	C90	GZ Series
GZ28-3G3	C86	GZ Series	GZB3-C23	C80, C95	GZ Series	GZL113-2K2	C90	GZ Series
GZ28-3G8	C86	GZ Series	GZB3-C24	C80, C95	GZ Series	GZL113-470K	C90	GZ Series
GZ2-GR12	C77	GZ Series	GZB3-C4	C80, C95	GZ Series	GZL113-470R	C90	GZ Series
GZ2-KK11	C77	GZ Series	GZB3-C48	C80, C95	GZ Series	GZL113-47K	C90	GZ Series
GZ2-KK12	C77	GZ Series	GZB3-G12	C80, C95	GZ Series	GZL113-4K7	C90	GZ Series
GZ34-6	C88	GZ Series	GZB3-G23	C80, C95	GZ Series	GZL114-100K	C91	GZ Series
GZ35-6	C88	GZ Series	GZB3-G24	C80, C95	GZ Series	GZL114-100R	C91	GZ Series
GZ36-2L3	C89	GZ Series	GZB3-G4	C80, C95	GZ Series	GZL114-10K	C91	GZ Series
GZ37-3C6	C89	GZ Series	GZB3-G48	C80, C95	GZ Series	GZL114-1K	C91	GZ Series
GZ38-3L6	C89	GZ Series	GZB3-R12	C80, C95	GZ Series	GZL114-200R	C91	GZ Series
GZ39-3R6	C89	GZ Series	GZB3-R23	C80, C95	GZ Series	GZL114-20K	C91	GZ Series
GZ5-2A3	C83	GZ Series	GZB3-R24	C80, C95	GZ Series	GZL114-2K	C91	GZ Series
GZ5-2A6	C83	GZ Series	GZB3-R4	C80, C95	GZ Series	GZL114-500R	C91	GZ Series
GZ5-2A8	C84	GZ Series	GZB3-R48	C80, C95	GZ Series	GZL114-50K	C91	GZ Series
GZ5-3C3	C83	GZ Series	GZB4-A123	C81, C95	GZ Series	GZL114-5K	C91	GZ Series
GZ5-3C8	C84	GZ Series	GZB4-A233	C81, C95	GZ Series	GZL146	C88	GZ Series
GZ5-3G3	C83	GZ Series	GZB4-A243	C81, C95	GZ Series	GZL156	C88	GZ Series
GZ5-3G8	C84	GZ Series	GZB4-A43	C81, C95	GZ Series	GZL1A3	C76	GZ Series
GZ5-4H8	C83	GZ Series	GZB4-B123	C81, C95	GZ Series	GZL1B3	C76	GZ Series
GZ5-4H88	C84	GZ Series	GZB4-B233	C81, C95	GZ Series	GZL1G3	C76	GZ Series
GZ56-2L3	C89	GZ Series	GZB4-B243	C81, C95	GZ Series	GZL1K3	C76	GZ Series
GZ57-3C6	C89	GZ Series	GZB4-B43	C81, C95	GZ Series	GZL1R3	C76	GZ Series
GZ58-3L6	C89	GZ Series	GZB4-C123	C81, C95	GZ Series	GZL1W3	C76	GZ Series
GZ59-3R6	C89	GZ Series	GZB4-C233	C81, C95	GZ Series	GZL2GR12	C77	GZ Series
GZ6-3	C88	GZ Series	GZB4-C243	C81, C95	GZ Series	GZL2KK11	C77	GZ Series
GZ7-6	C88	GZ Series	GZB4-C43	C81, C95	GZ Series	GZL2KK12	C77	GZ Series
GZ8-2A3	C85	GZ Series	GZB4-G123	C81, C95	GZ Series	GZL36L3	C89	GZ Series
GZ8-2A322	C85	GZ Series	GZB4-G233	C81, C95	GZ Series	GZL37C6	C89	GZ Series
GZ8-2A6	C85	GZ Series	GZB4-G243	C81, C95	GZ Series	GZL38L6	C89	GZ Series
GZ8-2A8	C86	GZ Series	GZB4-G43	C81, C95	GZ Series	GZL39R6	C89	GZ Series
GZ8-3C3	C85	GZ Series	GZB4-R123	C81, C95	GZ Series	GZL3A12	C80, C95	GZ Series
GZ8-3C332	C85	GZ Series	GZB4-R233	C81, C95	GZ Series	GZL3A23	C80, C95	GZ Series
GZ8-3C8	C86	GZ Series	GZB4-R243	C81, C95	GZ Series	GZL3A24	C80, C95	GZ Series
GZ8-3G3	C86	GZ Series	GZB4-R43	C81, C95	GZ Series	GZL3A4	C80, C95	GZ Series
GZ8-3G8	C86	GZ Series	GZDBLPBMMDO	C93	GZ Series	GZL3A48	C80, C95	GZ Series
GZB3-A12	C80, C95	GZ Series	GZK1-3	C79	GZ Series	GZL3B12	C80, C95	GZ Series
GZB3-A23	C80, C95	GZ Series	GZK21-3	C79	GZ Series	GZL3B23	C80, C95	GZ Series
GZB3-A24	C80, C95	GZ Series	GZKL13	C79	GZ Series	GZL3B24	C80, C95	GZ Series
GZB3-A4	C80, C95	GZ Series	GZKXL13	C79	GZ Series	GZL3B4	C80, C95	GZ Series
GZB3-A48	C80, C95	GZ Series	GZL113-100K	C90	GZ Series	GZL3B48	C80, C95	GZ Series
GZB3-B12	C80, C95	GZ Series	GZL113-10K	C90	GZ Series	GZL3C12	C80, C95	GZ Series
GZB3-B23	C80, C95	GZ Series	GZL113-1K	C90	GZ Series	GZL3C23	C80, C95	GZ Series
GZB3-B24	C80, C95	GZ Series	GZL113-1M	C90	GZ Series	GZL3C24	C80, C95	GZ Series
GZB3-B4	C80, C95	GZ Series	GZL113-220K	C90	GZ Series	GZL3C4	C80, C95	GZ Series

INTRODUCTION NUMERIC INDEX

Part #..... SEC./PG PROD. GRP.

GZL3C48.....	C80, C95	GZ Series
GZL3G12.....	C80, C95	GZ Series
GZL3G23.....	C80, C95	GZ Series
GZL3G24.....	C80, C95	GZ Series
GZL3G4.....	C80, C95	GZ Series
GZL3G48.....	C80, C95	GZ Series
GZL3R12.....	C80, C95	GZ Series
GZL3R23.....	C80, C95	GZ Series
GZL3R24.....	C80, C95	GZ Series
GZL3R4.....	C80, C95	GZ Series
GZL3R48.....	C80, C95	GZ Series
GZL4A123.....	C81, C95	GZ Series
GZL4A233.....	C81, C95	GZ Series
GZL4A243.....	C81, C95	GZ Series
GZL4A43.....	C81, C95	GZ Series
GZL4B123.....	C81, C95	GZ Series
GZL4B233.....	C81, C95	GZ Series
GZL4B243.....	C81, C95	GZ Series
GZL4B43.....	C81, C95	GZ Series
GZL4C123.....	C81, C95	GZ Series
GZL4C233.....	C81, C95	GZ Series
GZL4C243.....	C81, C95	GZ Series
GZL4C43.....	C81, C95	GZ Series
GZL4G123.....	C81, C95	GZ Series
GZL4G233.....	C81, C95	GZ Series
GZL4G243.....	C81, C95	GZ Series
GZL4G43.....	C81, C95	GZ Series
GZL4R123.....	C81, C95	GZ Series
GZL4R233.....	C81, C95	GZ Series
GZL4R243.....	C81, C95	GZ Series
GZL4R43.....	C81, C95	GZ Series
GZL52A3.....	C83	GZ Series
GZL52A6.....	C83	GZ Series
GZL52A8.....	C84	GZ Series
GZL53C3.....	C83	GZ Series
GZL53C8.....	C84	GZ Series
GZL53G3.....	C83	GZ Series
GZL53G8.....	C84	GZ Series
GZL54H8.....	C83	GZ Series
GZL54H88.....	C84	GZ Series
GZL63.....	C88	GZ Series
GZL76.....	C88	GZ Series
GZL82A3.....	C85	GZ Series
GZL82A322.....	C85	GZ Series
GZL82A6.....	C85	GZ Series
GZL82A8.....	C86	GZ Series

Part #..... SEC./PG PROD. GRP.

GZL83C3.....	C85	GZ Series
GZL83C332.....	C85	GZ Series
GZL83C8.....	C86	GZ Series
GZL83G3.....	C86	GZ Series
GZL83G8.....	C86	GZ Series
GZLENS-A.....	C94	GZ Series
GZLENS-B.....	C94	GZ Series
GZLENS-C.....	C94	GZ Series
GZLENS-G.....	C94	GZ Series
GZLENS-R.....	C94	GZ Series
GZLRST-AX100.....	C92	GZ Series
GZLRST-AX120.....	C92	GZ Series
GZLRST-AX300.....	C92	GZ Series
GZLRST-BX100.....	C92	GZ Series
GZLRST-BX120.....	C92	GZ Series
GZLRST-BX300.....	C92	GZ Series
GZLRST-GX100.....	C92	GZ Series
GZLRST-GX120.....	C92	GZ Series
GZLRST-GX300.....	C92	GZ Series
GZLRST-KX100.....	C92	GZ Series
GZLRST-KX120.....	C92	GZ Series
GZLRST-KX300.....	C92	GZ Series
GZLRST-RX100.....	C92	GZ Series
GZLRST-RX120.....	C92	GZ Series
GZLRST-RX300.....	C92	GZ Series
GZLRST-WX100.....	C92	GZ Series
GZLRST-WX120.....	C92	GZ Series
GZLRST-WX300.....	C92	GZ Series
GZMK1-RM3.....	C79	GZ Series
GZMK21-RM3.....	C79	GZ Series
GZMKL1R3.....	C79	GZ Series
GZMKXL1R3.....	C79	GZ Series
GZMM1-RG3.....	C77	GZ Series
GZMM1-RK3.....	C77	GZ Series
GZMM1-RY3.....	C77	GZ Series
GZMM21-RG3.....	C77	GZ Series
GZMM21-RK3.....	C77	GZ Series
GZMM21-RM3.....	C77	GZ Series
GZMML1-RG3.....	C77	GZ Series
GZMML1-RK3.....	C77	GZ Series
GZMML1-RY3.....	C77	GZ Series
GZMMXL1-RG3.....	C77	GZ Series
GZMMXL1-RK3.....	C77	GZ Series
GZMMXL1-RY3.....	C77	GZ Series
GZMP1-GM3.....	C78	GZ Series
GZMP1-KM3.....	C78	GZ Series

Part #..... SEC./PG PROD. GRP.

GZMP1-RM3.....	C78	GZ Series
GZMP21-GM3.....	C78	GZ Series
GZMP21-KM3.....	C78	GZ Series
GZMP21-RM3.....	C78	GZ Series
GZMPL1G3.....	C78	GZ Series
GZMPL1K3.....	C78	GZ Series
GZMPL1R3.....	C78	GZ Series
GZMPXL1G3.....	C78	GZ Series
GZMPXL1K3.....	C78	GZ Series
GZMPXL1R3.....	C78	GZ Series
GZMRPPBLO.....	C93	GZ Series
GZMRTPBLO.....	C93	GZ Series
GZMRYLBP.....	C93	GZ Series
GZMT1-RM3.....	C78	GZ Series
GZMT21-RM3.....	C78	GZ Series
GZMTL1R3.....	C78	GZ Series
GZMTXL1R3.....	C78	GZ Series
GZ-NP.....	C93	GZ Series
GZPBMMDHLO.....	C93	GZ Series
GZPBMMRHLO.....	C93	GZ Series
GZ-POTMT-1.....	C91	GZ Series
GZ-POTMT-10.....	C91	GZ Series
GZ-POTMT-100.....	C91	GZ Series
GZ-POTMT-100R.....	C91	GZ Series
GZ-POTMT-2.....	C91	GZ Series
GZ-POTMT-20.....	C91	GZ Series
GZ-POTMT-200R.....	C91	GZ Series
GZ-POTMT-5.....	C91	GZ Series
GZ-POTMT-50.....	C91	GZ Series
GZ-POTMT-500R.....	C91	GZ Series
GZ-POTST-1.....	C90	GZ Series
GZ-POTST-10.....	C90	GZ Series
GZ-POTST-100.....	C90	GZ Series
GZ-POTST-1M.....	C90	GZ Series
GZ-POTST-2.2.....	C90	GZ Series
GZ-POTST-22.....	C90	GZ Series
GZ-POTST-220.....	C90	GZ Series
GZ-POTST-220.....	C90	GZ Series
GZ-POTST-4.7.....	C90	GZ Series
GZ-POTST-47.....	C90	GZ Series
GZ-POTST-470.....	C90	GZ Series
GZ-POTST-470.....	C90	GZ Series
GZ-RG.....	C93	GZ Series
GZ-RK0.....	C93	GZ Series
GZ-RKX.....	C93	GZ Series
GZ-RST-AX100.....	C92	GZ Series

INTRODUCTION

NUMERIC INDEX

Part #	SEC./PG	PROD. GRP.
GZ-RST-AX120	C92	GZ Series
GZ-RST-AX300	C92	GZ Series
GZ-RST-BX100	C92	GZ Series
GZ-RST-BX120	C92	GZ Series
GZ-RST-BX300	C92	GZ Series
GZ-RST-GX100	C92	GZ Series
GZ-RST-GX120	C92	GZ Series
GZ-RST-GX300	C92	GZ Series
GZ-RST-KX100	C92	GZ Series
GZ-RST-KX120	C92	GZ Series
GZ-RST-KX300	C92	GZ Series
GZ-RST-RX100	C92	GZ Series
GZ-RST-RX120	C92	GZ Series
GZ-RST-RX300	C92	GZ Series
GZ-RST-WX100	C92	GZ Series
GZ-RST-WX120	C92	GZ Series
GZ-RST-WX300	C92	GZ Series
GZ-S2CPG	C93	GZ Series
GZ-S2CPGBIG	C93	GZ Series
GZSSLO	C93	GZ Series
GZXL113-100K	C90	GZ Series
GZXL113-10K	C90	GZ Series
GZXL113-1K	C90	GZ Series
GZXL113-1M	C90	GZ Series
GZXL113-220K	C90	GZ Series
GZXL113-220R	C90	GZ Series
GZXL113-22K	C90	GZ Series
GZXL113-2K2	C90	GZ Series
GZXL113-470K	C90	GZ Series
GZXL113-470R	C90	GZ Series
GZXL113-47K	C90	GZ Series
GZXL113-4K7	C90	GZ Series
GZXL114-100K	C91	GZ Series
GZXL114-100R	C91	GZ Series
GZXL114-10K	C91	GZ Series
GZXL114-1K	C91	GZ Series
GZXL114-200R	C91	GZ Series
GZXL114-20K	C91	GZ Series
GZXL114-2K	C91	GZ Series
GZXL114-500R	C91	GZ Series
GZXL114-50K	C91	GZ Series
GZXL114-5K	C91	GZ Series
GZXL146	C88	GZ Series
GZXL156	C88	GZ Series
GZXL1A3	C76	GZ Series
GZXL1B3	C76	GZ Series

Part #	SEC./PG	PROD. GRP.
GZXL1G3	C76	GZ Series
GZXL1K3	C76	GZ Series
GZXL1R3	C76	GZ Series
GZXL1W3	C76	GZ Series
GZXL2GR12	C77	GZ Series
GZXL2KK11	C77	GZ Series
GZXL2KK12	C77	GZ Series
GZXL36L3	C89	GZ Series
GZXL37C6	C89	GZ Series
GZXL38L6	C89	GZ Series
GZXL39R6	C89	GZ Series
GZXL3A12	C80, C95	GZ Series
GZXL3A23	C80, C95	GZ Series
GZXL3A24	C80, C95	GZ Series
GZXL3A4	C80, C95	GZ Series
GZXL3A48	C80, C95	GZ Series
GZXL3B12	C80, C95	GZ Series
GZXL3B23	C80, C95	GZ Series
GZXL3B24	C80, C95	GZ Series
GZXL3B4	C80, C95	GZ Series
GZXL3B48	C80, C95	GZ Series
GZXL3C12	C80, C95	GZ Series
GZXL3C23	C80, C95	GZ Series
GZXL3C24	C80, C95	GZ Series
GZXL3C4	C80, C95	GZ Series
GZXL3C48	C80, C95	GZ Series
GZXL3G12	C80, C95	GZ Series
GZXL3G23	C80, C95	GZ Series
GZXL3G24	C80, C95	GZ Series
GZXL3G4	C80, C95	GZ Series
GZXL3G48	C80, C95	GZ Series
GZXL3R12	C80, C95	GZ Series
GZXL3R23	C80, C95	GZ Series
GZXL3R24	C80, C95	GZ Series
GZXL3R4	C80, C95	GZ Series
GZXL3R48	C80, C95	GZ Series
GZXL4A123	C81, C95	GZ Series
GZXL4A233	C81, C95	GZ Series
GZXL4A243	C81, C95	GZ Series
GZXL4A43	C81, C95	GZ Series
GZXL4B123	C81, C95	GZ Series
GZXL4B233	C81, C95	GZ Series
GZXL4B243	C81, C95	GZ Series
GZXL4B43	C81, C95	GZ Series
GZXL4C123	C81, C95	GZ Series
GZXL4C233	C81, C95	GZ Series

Part #	SEC./PG	PROD. GRP.
GZXL4C243	C81, C95	GZ Series
GZXL4C43	C81, C95	GZ Series
GZXL4G123	C81, C95	GZ Series
GZXL4G233	C81, C95	GZ Series
GZXL4G243	C81, C95	GZ Series
GZXL4G43	C81, C95	GZ Series
GZXL4R123	C81, C95	GZ Series
GZXL4R233	C81, C95	GZ Series
GZXL4R243	C81, C95	GZ Series
GZXL4R43	C81, C95	GZ Series
GZXL52A3	C83	GZ Series
GZXL52A6	C83	GZ Series
GZXL52A8	C84	GZ Series
GZXL53C3	C83	GZ Series
GZXL53C8	C84	GZ Series
GZXL53G3	C83	GZ Series
GZXL53G8	C84	GZ Series
GZXL54H8	C83	GZ Series
GZXL54H88	C84	GZ Series
GZXL63	C88	GZ Series
GZXL76	C88	GZ Series
GZXL82A3	C85	GZ Series
GZXL82A322	C85	GZ Series
GZXL82A6	C85	GZ Series
GZXL82A8	C86	GZ Series
GZXL83C3	C85	GZ Series
GZXL83C332	C85	GZ Series
GZXL83C8	C86	GZ Series
GZXL83G3	C86	GZ Series
GZXL83G8	C86	GZ Series
GZXLRST-AX100	C92	GZ Series
GZXLRST-AX120	C92	GZ Series
GZXLRST-AX300	C92	GZ Series
GZXLRST-BX100	C92	GZ Series
GZXLRST-BX120	C92	GZ Series
GZXLRST-BX300	C92	GZ Series
GZXLRST-GX100	C92	GZ Series
GZXLRST-GX120	C92	GZ Series
GZXLRST-GX300	C92	GZ Series
GZXLRST-KX100	C92	GZ Series
GZXLRST-KX120	C92	GZ Series
GZXLRST-KX300	C92	GZ Series
GZXLRST-RX100	C92	GZ Series
GZXLRST-RX120	C92	GZ Series
GZXLRST-RX300	C92	GZ Series
GZXLRST-WX100	C92	GZ Series

INTRODUCTION

NUMERIC INDEX

Part #.....	SEC./PG	PROD. GRP.
GZXRST-WX120.....	C92	GZ Series
GZXRST-WX300.....	C92	GZ Series
H-AL.....	F97	SPARTAN POLE
HDL106N.....	L115	HDL106N
HDL106NE.....	L118	HDL106NE
HDL206N.....	L119	HDL206N
HDL206NE.....	L122	HDL206NE
HEXA-100.....	L55, L93	EBS, EM/EQ Series
HFC.....	E44	HK/2HK Series
HFCX.....	E39	HKBX Series
H-HG.....	F97	SPARTAN POLE
HIC-SILVER.....	L107	HXB/XFH/EKJ Series
HINGE-10L.....	E69	EXB / EXBLT Series
HINGE-10R.....	E69	EXB / EXBLT Series
HINGE-11L.....	E69	EXB / EXBLT Series
HINGE-11R.....	E69	EXB / EXBLT Series
HINGE-12L.....	E69	EXB / EXBLT Series
HINGE-12R.....	E69	EXB / EXBLT Series
HJB-AL.....	F97	SPARTAN POLE
HJB-HG.....	F97	SPARTAN POLE
HJB-SS.....	F97	SPARTAN POLE
HK1D.....	E44	HK/2HK Series
HK1GLD.....	E44	HK/2HK Series
HK2D.....	E44	HK/2HK Series
HK2GLD.....	E44	HK/2HK Series
HK4D.....	E44	HK/2HK Series
HK4GLD.....	E44	HK/2HK Series
HKB.....	E44	HK/2HK Series
HKB-2D.....	E44	HK/2HK Series
HKB-2DC.....	E44	HK/2HK Series
HKB-2GLD.....	E44	HK/2HK Series
HKB-2GLDC.....	E44	HK/2HK Series
HKB-4D.....	E44	HK/2HK Series
HKB-4DC.....	E44	HK/2HK Series
HKB-B.....	E44	HK/2HK Series
HKB-BC.....	E44	HK/2HK Series
HKBD.....	E44	HK/2HK Series
HKBD-2D.....	E44	HK/2HK Series
HKBD-2GLD.....	E44	HK/2HK Series
HKBD-4D.....	E44	HK/2HK Series
HKBD-B.....	E44	HK/2HK Series
HKBD-GL.....	E44	HK/2HK Series
HKB-GL.....	E44	HK/2HK Series
HKB-GLC.....	E44	HK/2HK Series
HKBX.....	E39	HKBX Series
HKBX-2DC.....	E39	HKBX Series

Part #.....	SEC./PG	PROD. GRP.
HKBX-2GLDC.....	E39	HKBX Series
HKBX-BC.....	E39	HKBX Series
HKBX-GLC.....	E39	HKBX Series
HKBX-GRD.....	E39, E41	HKBX, HKBX-TB Series
HKGL.....	E44	HK/2HK Series
HKH1AND2K11SK8.....	C7	HKH Series
HKH1AND2K210K8.....	C7	HKH Series
HKH1AND2K349K8.....	C7	HKH Series
HKH1AND2K440K8.....	C7	HKH Series
HKH1AND2K540K8.....	C7	HKH Series
HKH1AND2K640K8.....	C7	HKH Series
HKH1AND2LAL0K8.....	C4	HKH Series
HKH1AND2LBL0K8.....	C4	HKH Series
HKH1AND2LCL0K8.....	C4	HKH Series
HKH1AND2LGL0K8.....	C4	HKH Series
HKH1AND2LRL0K8.....	C4	HKH Series
HKH1AND2M11BK8.....	C4	HKH Series
HKH1AND2M21AK8.....	C4	HKH Series
HKH1AND2M310K8.....	C4	HKH Series
HKH1AND2M41BK8.....	C4	HKH Series
HKH1AND2M41EK8.....	C5	HKH Series
HKH1AND2M51AK8.....	C4	HKH Series
HKH1AND2M610K8.....	C4	HKH Series
HKH1AND2M71EK8.....	C5	HKH Series
HKH1AND2P11K8.....	C4	HKH Series
HKH1AND2P21K8.....	C5	HKH Series
HKH1AND2RS1K8.....	C15	HKH Series
HKH1AND2RS4K8.....	C15	HKH Series
HKH1AND2S11SK8.....	C6	HKH Series
HKH1AND2S210K8.....	C6	HKH Series
HKH1AND2S349K8.....	C6	HKH Series
HKH1AND2S440K8.....	C6	HKH Series
HKH1AND2S540K8.....	C6	HKH Series
HKH1AND2S640K8.....	C6	HKH Series
HKH1ANDAK11S.....	C7	HKH Series
HKH1ANDAK210.....	C7	HKH Series
HKH1ANDAK349.....	C7	HKH Series
HKH1ANDAK440.....	C7	HKH Series
HKH1ANDAK540.....	C7	HKH Series
HKH1ANDAK640.....	C7	HKH Series
HKH1ANDALAL0.....	C4	HKH Series
HKH1ANDALBLO.....	C4	HKH Series
HKH1ANDALCLO.....	C4	HKH Series
HKH1ANDALGLO.....	C4	HKH Series
HKH1ANDALRLO.....	C4	HKH Series
HKH1ANDAM11B.....	C4	HKH Series

Part #.....	SEC./PG	PROD. GRP.
HKH1ANDAM21A.....	C4	HKH Series
HKH1ANDAM310.....	C4	HKH Series
HKH1ANDAM41B.....	C4	HKH Series
HKH1ANDAM41E.....	C5	HKH Series
HKH1ANDAM51A.....	C4	HKH Series
HKH1ANDAM610.....	C4	HKH Series
HKH1ANDAM71E.....	C5	HKH Series
HKH1ANDAP11.....	C4	HKH Series
HKH1ANDAP21.....	C5	HKH Series
HKH1ANDARS1.....	C15	HKH Series
HKH1ANDARS4.....	C15	HKH Series
HKH1ANDAS11S.....	C6	HKH Series
HKH1ANDAS210.....	C6	HKH Series
HKH1ANDAS349.....	C6	HKH Series
HKH1ANDAS440.....	C6	HKH Series
HKH1ANDAS540.....	C6	HKH Series
HKH1ANDAS640.....	C6	HKH Series
HKH1ANP2K11SK8.....	C7	HKH Series
HKH1ANP2K210K8.....	C7	HKH Series
HKH1ANP2K349K8.....	C7	HKH Series
HKH1ANP2K440K8.....	C7	HKH Series
HKH1ANP2K540K8.....	C7	HKH Series
HKH1ANP2K640K8.....	C7	HKH Series
HKH1ANP2LAL0K8.....	C4	HKH Series
HKH1ANP2LBL0K8.....	C4	HKH Series
HKH1ANP2LCL0K8.....	C4	HKH Series
HKH1ANP2LGL0K8.....	C4	HKH Series
HKH1ANP2LRL0K8.....	C4	HKH Series
HKH1ANP2M11BK8.....	C4	HKH Series
HKH1ANP2M21AK8.....	C4	HKH Series
HKH1ANP2M310K8.....	C4	HKH Series
HKH1ANP2M41BK8.....	C4	HKH Series
HKH1ANP2M41EK8.....	C5	HKH Series
HKH1ANP2M51AK8.....	C4	HKH Series
HKH1ANP2M610K8.....	C4	HKH Series
HKH1ANP2M71EK8.....	C5	HKH Series
HKH1ANP2P11K8.....	C4	HKH Series
HKH1ANP2P21K8.....	C5	HKH Series
HKH1ANP2S11SK8.....	C6	HKH Series
HKH1ANP2S210K8.....	C6	HKH Series
HKH1ANP2S349K8.....	C6	HKH Series
HKH1ANP2S440K8.....	C6	HKH Series
HKH1ANP2S540K8.....	C6	HKH Series
HKH1ANP2S640K8.....	C6	HKH Series
HKH1ANPAK11S.....	C7	HKH Series
HKH1ANPAK210.....	C7	HKH Series

INTRODUCTION

NUMERIC INDEX

Part #	SEC./PG	PROD. GRP.
HKH1ANPAK349	C7	HKH Series
HKH1ANPAK440	C7	HKH Series
HKH1ANPAK540	C7	HKH Series
HKH1ANPAK640	C7	HKH Series
HKH1ANPALALO	C4	HKH Series
HKH1ANPALBLO	C4	HKH Series
HKH1ANPALCLO	C4	HKH Series
HKH1ANPALGLO	C4	HKH Series
HKH1ANPALRLO	C4	HKH Series
HKH1ANPAM11B	C4	HKH Series
HKH1ANPAM21A	C4	HKH Series
HKH1ANPAM310	C4	HKH Series
HKH1ANPAM41B	C4	HKH Series
HKH1ANPAM41E	C5	HKH Series
HKH1ANPAM51A	C4	HKH Series
HKH1ANPAM610	C4	HKH Series
HKH1ANPAM71E	C5	HKH Series
HKH1ANPAP11	C4	HKH Series
HKH1ANPAP21	C5	HKH Series
HKH1ANPAS11S	C6	HKH Series
HKH1ANPAS210	C6	HKH Series
HKH1ANPAS349	C6	HKH Series
HKH1ANPAS440	C6	HKH Series
HKH1ANPAS540	C6	HKH Series
HKH1ANPAS640	C6	HKH Series
HKH1ASD2K11SK8	C21	HKH Series
HKH1ASD2K210K8	C21	HKH Series
HKH1ASD2K349K8	C21	HKH Series
HKH1ASD2K440K8	C21	HKH Series
HKH1ASD2K540K8	C21	HKH Series
HKH1ASD2K640K8	C21	HKH Series
HKH1ASD2LALOK8	C18	HKH Series
HKH1ASD2LBLOK8	C18	HKH Series
HKH1ASD2LCLOK8	C18	HKH Series
HKH1ASD2LGLOK8	C18	HKH Series
HKH1ASD2LRLOK8	C18	HKH Series
HKH1ASD2M11BK8	C18	HKH Series
HKH1ASD2M21AK8	C18	HKH Series
HKH1ASD2M310K8	C18	HKH Series
HKH1ASD2M41BK8	C18	HKH Series
HKH1ASD2M41EK8	C19	HKH Series
HKH1ASD2M51AK8	C18	HKH Series
HKH1ASD2M610K8	C18	HKH Series
HKH1ASD2M71EK8	C19	HKH Series
HKH1ASD2P11K8	C18	HKH Series
HKH1ASD2P21K8	C19	HKH Series

Part #	SEC./PG	PROD. GRP.
HKH1ASD2S11SK8	C20	HKH Series
HKH1ASD2S210K8	C20	HKH Series
HKH1ASD2S349K8	C20	HKH Series
HKH1ASD2S440K8	C20	HKH Series
HKH1ASD2S540K8	C20	HKH Series
HKH1ASD2S640K8	C20	HKH Series
HKH1ASDAK11S	C21	HKH Series
HKH1ASDAK210	C21	HKH Series
HKH1ASDAK349	C21	HKH Series
HKH1ASDAK440	C21	HKH Series
HKH1ASDAK540	C21	HKH Series
HKH1ASDAK640	C21	HKH Series
HKH1ASDALALO	C18	HKH Series
HKH1ASDALBLO	C18	HKH Series
HKH1ASDALCLO	C18	HKH Series
HKH1ASDALGLO	C18	HKH Series
HKH1ASDALRLO	C18	HKH Series
HKH1ASDAM11B	C18	HKH Series
HKH1ASDAM21A	C18	HKH Series
HKH1ASDAM310	C18	HKH Series
HKH1ASDAM41B	C18	HKH Series
HKH1ASDAM41E	C19	HKH Series
HKH1ASDAM51A	C18	HKH Series
HKH1ASDAM610	C18	HKH Series
HKH1ASDAM71E	C19	HKH Series
HKH1ASDAP11	C18	HKH Series
HKH1ASDAP21	C19	HKH Series
HKH1ASDAS11S	C20	HKH Series
HKH1ASDAS210	C20	HKH Series
HKH1ASDAS349	C20	HKH Series
HKH1ASDAS440	C20	HKH Series
HKH1ASDAS540	C20	HKH Series
HKH1ASDAS640	C20	HKH Series
HKH1ASP2K11SK8	C21	HKH Series
HKH1ASP2K210K8	C21	HKH Series
HKH1ASP2K349K8	C21	HKH Series
HKH1ASP2K440K8	C21	HKH Series
HKH1ASP2K540K8	C21	HKH Series
HKH1ASP2K640K8	C21	HKH Series
HKH1ASP2LALOK8	C18	HKH Series
HKH1ASP2LBLOK8	C18	HKH Series
HKH1ASP2LCLOK8	C18	HKH Series
HKH1ASP2LGLOK8	C18	HKH Series
HKH1ASP2LRLOK8	C18	HKH Series
HKH1ASP2M11BK8	C18	HKH Series
HKH1ASP2M21AK8	C18	HKH Series

Part #	SEC./PG	PROD. GRP.
HKH1ASP2M310K8	C18	HKH Series
HKH1ASP2M41BK8	C18	HKH Series
HKH1ASP2M41EK8	C19	HKH Series
HKH1ASP2M51AK8	C18	HKH Series
HKH1ASP2M610K8	C18	HKH Series
HKH1ASP2M71EK8	C19	HKH Series
HKH1ASP2P11K8	C18	HKH Series
HKH1ASP2P21K8	C19	HKH Series
HKH1ASP2S11SK8	C20	HKH Series
HKH1ASP2S210K8	C20	HKH Series
HKH1ASP2S349K8	C20	HKH Series
HKH1ASP2S440K8	C20	HKH Series
HKH1ASP2S540K8	C20	HKH Series
HKH1ASP2S640K8	C20	HKH Series
HKH1ASPAK11S	C21	HKH Series
HKH1ASPAK210	C21	HKH Series
HKH1ASPAK349	C21	HKH Series
HKH1ASPAK440	C21	HKH Series
HKH1ASPAK540	C21	HKH Series
HKH1ASPAK640	C21	HKH Series
HKH1ASPALALO	C18	HKH Series
HKH1ASPALBLO	C18	HKH Series
HKH1ASPALCLO	C18	HKH Series
HKH1ASPALGLO	C18	HKH Series
HKH1ASPALRLO	C18	HKH Series
HKH1ASPAM11B	C18	HKH Series
HKH1ASPAM21A	C18	HKH Series
HKH1ASPAM310	C18	HKH Series
HKH1ASPAM41B	C18	HKH Series
HKH1ASPAM41E	C19	HKH Series
HKH1ASPAM51A	C18	HKH Series
HKH1ASPAM610	C18	HKH Series
HKH1ASPAM71E	C19	HKH Series
HKH1ASPAP11	C18	HKH Series
HKH1ASPAP21	C19	HKH Series
HKH1ASPAS11S	C20	HKH Series
HKH1ASPAS210	C20	HKH Series
HKH1ASPAS349	C20	HKH Series
HKH1ASPAS440	C20	HKH Series
HKH1ASPAS540	C20	HKH Series
HKH1ASPAS640	C20	HKH Series
HKH1BEP2LRL0P21K8	C23	HKH Series
HKH1BEP2P11P11K8	C22	HKH Series
HKH1BEPALRL0P21	C23	HKH Series
HKH1BEPAP11P11	C22	HKH Series
HKH1BND2K11SK8	C11	HKH Series

INTRODUCTION NUMERIC INDEX

Part #.....	SEC./PG	PROD. GRP.
HKH1BND2K210K8.....	C11	HKH Series
HKH1BND2K349K8.....	C11	HKH Series
HKH1BND2K440K8.....	C11	HKH Series
HKH1BND2K540K8.....	C11	HKH Series
HKH1BND2K640K8.....	C11	HKH Series
HKH1BND2LALOK8.....	C8	HKH Series
HKH1BND2LBLOK8.....	C8	HKH Series
HKH1BND2LCLKOK8.....	C8	HKH Series
HKH1BND2LGLOK8.....	C8	HKH Series
HKH1BND2LGLLGLOK8.....	C9	HKH Series
HKH1BND2LRLOK8.....	C8	HKH Series
HKH1BND2LRLGLLGLOK8.....	C9	HKH Series
HKH1BND2LRLRLRLOK8.....	C9	HKH Series
HKH1BND2LRLLOP21K8.....	C9	HKH Series
HKH1BND2M11BK8.....	C8	HKH Series
HKH1BND2M21AK8.....	C8	HKH Series
HKH1BND2M310K8.....	C8	HKH Series
HKH1BND2M41BK8.....	C9	HKH Series
HKH1BND2M41EK8.....	C9	HKH Series
HKH1BND2M51AK8.....	C9	HKH Series
HKH1BND2M610K8.....	C9	HKH Series
HKH1BND2M71EK8.....	C9	HKH Series
HKH1BND2P11K8.....	C8	HKH Series
HKH1BND2P11P11K8.....	C8	HKH Series
HKH1BND2RS1K8.....	C15	HKH Series
HKH1BND2RS4K8.....	C15	HKH Series
HKH1BND2S11SK8.....	C10	HKH Series
HKH1BND2S210K8.....	C10	HKH Series
HKH1BND2S349K8.....	C10	HKH Series
HKH1BND2S440K8.....	C10	HKH Series
HKH1BND2S540K8.....	C10	HKH Series
HKH1BND2S640K8.....	C10	HKH Series
HKH1BNDAK11S.....	C11	HKH Series
HKH1BNDAK210.....	C11	HKH Series
HKH1BNDAK349.....	C11	HKH Series
HKH1BNDAK440.....	C11	HKH Series
HKH1BNDAK540.....	C11	HKH Series
HKH1BNDAK640.....	C11	HKH Series
HKH1BNDALALO.....	C8	HKH Series
HKH1BNDALBLO.....	C8	HKH Series
HKH1BNDALCLO.....	C8	HKH Series
HKH1BNDALGLO.....	C8	HKH Series
HKH1BNDALGLLGLLO.....	C9	HKH Series
HKH1BNDALRLO.....	C8	HKH Series
HKH1BNDALRLOLGLLO.....	C9	HKH Series
HKH1BNDALRLOLRLLO.....	C9	HKH Series

Part #.....	SEC./PG	PROD. GRP.
HKH1BNDALRLOP21.....	C9	HKH Series
HKH1BNDAM11B.....	C8	HKH Series
HKH1BNDAM21A.....	C8	HKH Series
HKH1BNDAM310.....	C8	HKH Series
HKH1BNDAM41B.....	C9	HKH Series
HKH1BNDAM41E.....	C9	HKH Series
HKH1BNDAM51A.....	C9	HKH Series
HKH1BNDAM610.....	C9	HKH Series
HKH1BNDAM71E.....	C9	HKH Series
HKH1BNDAP11.....	C8	HKH Series
HKH1BNDAP11P11.....	C8	HKH Series
HKH1BNDARS1.....	C15	HKH Series
HKH1BNDARS4.....	C15	HKH Series
HKH1BNDAS11S.....	C10	HKH Series
HKH1BNDAS210.....	C10	HKH Series
HKH1BNDAS349.....	C10	HKH Series
HKH1BNDAS440.....	C10	HKH Series
HKH1BNDAS540.....	C10	HKH Series
HKH1BNDAS640.....	C10	HKH Series
HKH1BNP2K11SK8.....	C11	HKH Series
HKH1BNP2K210K8.....	C11	HKH Series
HKH1BNP2K349K8.....	C11	HKH Series
HKH1BNP2K440K8.....	C11	HKH Series
HKH1BNP2K540K8.....	C11	HKH Series
HKH1BNP2K640K8.....	C11	HKH Series
HKH1BNP2LALOK8.....	C8	HKH Series
HKH1BNP2LBLOK8.....	C8	HKH Series
HKH1BNP2LCLKOK8.....	C8	HKH Series
HKH1BNP2LGLLGLLOK8.....	C9	HKH Series
HKH1BNP2LRLLOK8.....	C8	HKH Series
HKH1BNP2LRLLOLGLLOK8.....	C9	HKH Series
HKH1BNP2LRLLOLRLLOK8.....	C9	HKH Series
HKH1BNP2LRLLOP21K8.....	C9	HKH Series
HKH1BNP2M11BK8.....	C8	HKH Series
HKH1BNP2M21AK8.....	C8	HKH Series
HKH1BNP2M310K8.....	C8	HKH Series
HKH1BNP2M41BK8.....	C9	HKH Series
HKH1BNP2M41EK8.....	C9	HKH Series
HKH1BNP2M51AK8.....	C9	HKH Series
HKH1BNP2M610K8.....	C9	HKH Series
HKH1BNP2M71EK8.....	C9	HKH Series
HKH1BNP2P11K8.....	C8	HKH Series
HKH1BNP2P11P11K8.....	C8	HKH Series
HKH1BNP2S11SK8.....	C10	HKH Series
HKH1BNP2S210K8.....	C10	HKH Series

Part #.....	SEC./PG	PROD. GRP.
HKH1BNP2S349K8.....	C10	HKH Series
HKH1BNP2S440K8.....	C10	HKH Series
HKH1BNP2S540K8.....	C10	HKH Series
HKH1BNP2S640K8.....	C10	HKH Series
HKH1BNPAK11S.....	C11	HKH Series
HKH1BNPAK210.....	C11	HKH Series
HKH1BNPAK349.....	C11	HKH Series
HKH1BNPAK440.....	C11	HKH Series
HKH1BNPAK540.....	C11	HKH Series
HKH1BNPAK640.....	C11	HKH Series
HKH1BNPALALO.....	C8	HKH Series
HKH1BNPALBLO.....	C8	HKH Series
HKH1BNPALCLO.....	C8	HKH Series
HKH1BNPALGLO.....	C8	HKH Series
HKH1BNPALGLLGLLO.....	C9	HKH Series
HKH1BNPALRLO.....	C8	HKH Series
HKH1BNPALRLOLGLLO.....	C9	HKH Series
HKH1BNPALRLOLRLLO.....	C9	HKH Series
HKH1BNPALRLOP21.....	C9	HKH Series
HKH1BNPAM11B.....	C8	HKH Series
HKH1BNPAM21A.....	C8	HKH Series
HKH1BNPAM310.....	C8	HKH Series
HKH1BNPAM41B.....	C9	HKH Series
HKH1BNPAM41E.....	C9	HKH Series
HKH1BNPAM51A.....	C9	HKH Series
HKH1BNPAM610.....	C9	HKH Series
HKH1BNPAM71E.....	C9	HKH Series
HKH1BNPAP11.....	C8	HKH Series
HKH1BNPAP11P11.....	C8	HKH Series
HKH1BNPAS11S.....	C10	HKH Series
HKH1BNPAS210.....	C10	HKH Series
HKH1BNPAS349.....	C10	HKH Series
HKH1BNPAS440.....	C10	HKH Series
HKH1BNPAS540.....	C10	HKH Series
HKH1BNPAS640.....	C10	HKH Series
HKH1BSD2K11SK8.....	C25	HKH Series
HKH1BSD2K210K8.....	C25	HKH Series
HKH1BSD2K349K8.....	C25	HKH Series
HKH1BSD2K440K8.....	C25	HKH Series
HKH1BSD2K540K8.....	C25	HKH Series
HKH1BSD2K640K8.....	C25	HKH Series
HKH1BSD2LALOK8.....	C22	HKH Series
HKH1BSD2LBLOK8.....	C22	HKH Series
HKH1BSD2LCLKOK8.....	C22	HKH Series
HKH1BSD2LGLLGLLOK8.....	C22	HKH Series
HKH1BSD2LRLLOK8.....	C22	HKH Series

INTRODUCTION

NUMERIC INDEX

Part #	SEC./PG	PROD. GRP.
HKH1BSD2LRL0P21K8	C23	HKH Series
HKH1BSD2M11BK8	C22	HKH Series
HKH1BSD2M21AK8	C22	HKH Series
HKH1BSD2M310K8	C22	HKH Series
HKH1BSD2M41BK8	C23	HKH Series
HKH1BSD2M41EK8	C23	HKH Series
HKH1BSD2M51AK8	C23	HKH Series
HKH1BSD2M610K8	C23	HKH Series
HKH1BSD2M71EK8	C23	HKH Series
HKH1BSD2P11K8	C22	HKH Series
HKH1BSD2P11P11K8	C22	HKH Series
HKH1BSD2S11SK8	C24	HKH Series
HKH1BSD2S210K8	C24	HKH Series
HKH1BSD2S349K8	C24	HKH Series
HKH1BSD2S440K8	C24	HKH Series
HKH1BSD2S540K8	C24	HKH Series
HKH1BSD2S640K8	C24	HKH Series
HKH1BSDAK11S	C25	HKH Series
HKH1BSDAK210	C25	HKH Series
HKH1BSDAK349	C25	HKH Series
HKH1BSDAK440	C25	HKH Series
HKH1BSDAK540	C25	HKH Series
HKH1BSDAK640	C25	HKH Series
HKH1BSDALALO	C22	HKH Series
HKH1BSDALBLO	C22	HKH Series
HKH1BSDALCLO	C22	HKH Series
HKH1BSDALGLO	C22	HKH Series
HKH1BSDALRLO	C22	HKH Series
HKH1BSDALRLOP21	C23	HKH Series
HKH1BSDAM11B	C22	HKH Series
HKH1BSDAM21A	C22	HKH Series
HKH1BSDAM310	C22	HKH Series
HKH1BSDAM41B	C23	HKH Series
HKH1BSDAM41E	C23	HKH Series
HKH1BSDAM51A	C23	HKH Series
HKH1BSDAM610	C23	HKH Series
HKH1BSDAM71E	C23	HKH Series
HKH1BSDAP11	C22	HKH Series
HKH1BSDAP11P11	C22	HKH Series
HKH1BSDAS11S	C24	HKH Series
HKH1BSDAS210	C24	HKH Series
HKH1BSDAS349	C24	HKH Series
HKH1BSDAS440	C24	HKH Series
HKH1BSDAS540	C24	HKH Series
HKH1BSDAS640	C24	HKH Series
HKH1BSP2K11SK8	C25	HKH Series

Part #	SEC./PG	PROD. GRP.
HKH1BSP2K210K8	C25	HKH Series
HKH1BSP2K349K8	C25	HKH Series
HKH1BSP2K440K8	C25	HKH Series
HKH1BSP2K540K8	C25	HKH Series
HKH1BSP2K640K8	C25	HKH Series
HKH1BSP2LAL0K8	C22	HKH Series
HKH1BSP2LBL0K8	C22	HKH Series
HKH1BSP2LCL0K8	C22	HKH Series
HKH1BSP2LGL0K8	C22	HKH Series
HKH1BSP2LRL0K8	C22	HKH Series
HKH1BSP2M11BK8	C22	HKH Series
HKH1BSP2M21AK8	C22	HKH Series
HKH1BSP2M310K8	C22	HKH Series
HKH1BSP2M41BK8	C23	HKH Series
HKH1BSP2M41EK8	C23	HKH Series
HKH1BSP2M51AK8	C23	HKH Series
HKH1BSP2M610K8	C23	HKH Series
HKH1BSP2M71EK8	C23	HKH Series
HKH1BSP2P11K8	C22	HKH Series
HKH1BSP2S11SK8	C24	HKH Series
HKH1BSP2S210K8	C24	HKH Series
HKH1BSP2S349K8	C24	HKH Series
HKH1BSP2S440K8	C24	HKH Series
HKH1BSP2S540K8	C24	HKH Series
HKH1BSP2S640K8	C24	HKH Series
HKH1BSPAK11S	C25	HKH Series
HKH1BSPAK210	C25	HKH Series
HKH1BSPAK349	C25	HKH Series
HKH1BSPAK440	C25	HKH Series
HKH1BSPAK540	C25	HKH Series
HKH1BSPAK640	C25	HKH Series
HKH1BSPALALO	C22	HKH Series
HKH1BSPALBLO	C22	HKH Series
HKH1BSPALCLO	C22	HKH Series
HKH1BSPALGLO	C22	HKH Series
HKH1BSPALRLO	C22	HKH Series
HKH1BSPAM11B	C22	HKH Series
HKH1BSPAM21A	C22	HKH Series
HKH1BSPAM310	C22	HKH Series
HKH1BSPAM41B	C23	HKH Series
HKH1BSPAM41E	C23	HKH Series
HKH1BSPAM51A	C23	HKH Series
HKH1BSPAM610	C23	HKH Series
HKH1BSPAM71E	C23	HKH Series
HKH1BSPAP11	C22	HKH Series
HKH1BSPAS11S	C24	HKH Series

Part #	SEC./PG	PROD. GRP.
HKH1BSPAS210	C24	HKH Series
HKH1BSPAS349	C24	HKH Series
HKH1BSPAS440	C24	HKH Series
HKH1BSPAS540	C24	HKH Series
HKH1BSPAS640	C24	HKH Series
HKH1NC20D	C41	HKH Series
HKH1NC20P	C41	HKH Series
HKH1NO20D	C41	HKH Series
HKH1NO20P	C41	HKH Series
HKH2PSKH	C38, C44	HKH Series
HKH2PSKH1	C43	HKH Series
HKH2PSKV	C38, C44	HKH Series
HKH2PSKV1	C43	HKH Series
HKH2PSMMRH	C38, C44	HKH Series
HKH2PSMMRH1	C43	HKH Series
HKH2PSMMRV	C38, C44	HKH Series
HKH2PSMMRV1	C43	HKH Series
HKH2PSMTH	C38, C44	HKH Series
HKH2PSMTH1	C43	HKH Series
HKH2PSMTV	C38, C44	HKH Series
HKH2PSMTV1	C43	HKH Series
HKH2PSSHLO	C40	HKH Series
HKH3PSKIH	C38, C44	HKH Series
HKH3PSKIH4	C43	HKH Series
HKH3PSKIV	C38, C44	HKH Series
HKH3PSKIV4	C43	HKH Series
HKH3PSMMLH	C38, C44	HKH Series
HKH3PSMMLH4	C43	HKH Series
HKH3PSMMLRH	C38, C44	HKH Series
HKH3PSMMLRH4	C43	HKH Series
HKH3PSMMLRV	C38, C44	HKH Series
HKH3PSMMLRV4	C43	HKH Series
HKH3PSMMLV	C38, C44	HKH Series
HKH3PSMMLV4	C43	HKH Series
HKH3PSMMRH	C38, C44	HKH Series
HKH3PSMMRH4	C43	HKH Series
HKH3PSMMRV	C38, C44	HKH Series
HKH3PSMMRV4	C43	HKH Series
HKH3PSMTIH	C38, C44	HKH Series
HKH3PSMTIH4	C43	HKH Series
HKH3PSMTIV	C38, C44	HKH Series
HKH3PSMTIV4	C43	HKH Series
HKH3PSSHLO	C40	HKH Series
HKHANTOOL	C40	HKH Series
HKHCP	C40	HKH Series
HKHDBLPBMMDHLO	C40	HKH Series

INTRODUCTION NUMERIC INDEX

Part #	SEC./PG	PROD. GRP.
HKHDBLPBMMGR	C38, C44	HKH Series
HKHDBLPBMMGR1	C43	HKH Series
HKHGP11M20	C40	HKH Series
HKHGP11M25	C40	HKH Series
HKHGP11M32	C40	HKH Series
HKHGP12M20	C40	HKH Series
HKHGP21M32	C40	HKH Series
HKHGP22M20	C40	HKH Series
HKHGP22M25	C40	HKH Series
HKHMOD000001	C12	HKH Series
HKHMOD000002	C12	HKH Series
HKHMOD000003	C12	HKH Series
HKHMOD000004	C12	HKH Series
HKHMOD000005	C12	HKH Series
HKHMOD000006	C12	HKH Series
HKHMOD000007	C12	HKH Series
HKHMOD000008	C12	HKH Series
HKHMOD000009	C12	HKH Series
HKHMOD000010	C12	HKH Series
HKHMOD000011	C12	HKH Series
HKHMOD000012	C12	HKH Series
HKHMOD000013	C12	HKH Series
HKHMOD000014	C12	HKH Series
HKHMOD000015	C12	HKH Series
HKHMOD000016	C12	HKH Series
HKHMOD000017	C12	HKH Series
HKHMOD000018	C12	HKH Series
HKHMOD000019	C12	HKH Series
HKHMOD000020	C12	HKH Series
HKHMOD000021	C26	HKH Series
HKHMOD000022	C26	HKH Series
HKHMOD000023	C26	HKH Series
HKHMOD000024	C26	HKH Series
HKHMOD000025	C26	HKH Series
HKHMOD000026	C26	HKH Series
HKHMOD000027	C26	HKH Series
HKHMOD000028	C26	HKH Series
HKHMOD000029	C26	HKH Series
HKHMOD000030	C26	HKH Series
HKHMOD000031	C26	HKH Series
HKHMOD000032	C26	HKH Series
HKHMOD000033	C26	HKH Series
HKHMOD000034	C26	HKH Series
HKHMOD000035	C26	HKH Series
HKHMOD000036	C26	HKH Series
HKHMOD000037	C26	HKH Series

Part #	SEC./PG	PROD. GRP.
HKHMOD000038	C26	HKH Series
HKHMOD000039	C26	HKH Series
HKHMOD000040	C26	HKH Series
HKHMRSRDBK	C40	HKH Series
HKHMRSRDYL	C40	HKH Series
HKHPBILLMM	C38, C44	HKH Series
HKHPBILLMM1	C43	HKH Series
HKHPBKMTMRH	C38, C44	HKH Series
HKHPBKMTMRH1	C43	HKH Series
HKHPBKMTMRV	C38, C44	HKH Series
HKHPBKMTMRV1	C43	HKH Series
HKHPBMBLO	C40	HKH Series
HKHPBMHLO	C40	HKH Series
HKHPBMMDHLO	C40	HKH Series
HKHPBMMMB	C38, C44	HKH Series
HKHPBMMMB1	C43	HKH Series
HKHPBMMMG	C38, C44	HKH Series
HKHPBMMMG1	C43	HKH Series
HKHPBMMMR	C38, C44	HKH Series
HKHPBMMMR1	C43	HKH Series
HKHPBMMSS	C38, C44	HKH Series
HKHPBMMSS1	C43	HKH Series
HKHPBMMTC	C38, C44	HKH Series
HKHPBMMTC1	C43	HKH Series
HKHPBPMTMB	C38, C44	HKH Series
HKHPBPMTMB1	C43	HKH Series
HKHPBPMTMG	C38, C44	HKH Series
HKHPBPMTMG1	C43	HKH Series
HKHPBPMTMR	C38, C44	HKH Series
HKHPBPMTMR1	C43	HKH Series
HKHPBSSMFLO	C40	HKH Series
HKHPBTMTMR	C38, C44	HKH Series
HKHPBTMTMR1	C43	HKH Series
HKHPLA	C38, C44	HKH Series
HKHPLAL	C43	HKH Series
HKHPLB	C38, C44	HKH Series
HKHPLBL	C43	HKH Series
HKHPLC	C38, C44	HKH Series
HKHPLCL	C43	HKH Series
HKHPLD	C42	HKH Series
HKHPLG	C38, C44	HKH Series
HKHPLGL	C43	HKH Series
HKHPLP	C42	HKH Series
HKHPLR	C38, C44	HKH Series
HKHPLRL	C43	HKH Series
HKHPMBRKT	C40	HKH Series

Part #	SEC./PG	PROD. GRP.
HKHPMBRKTMM	C40	HKH Series
HKX2D	E39	HKBX Series
HKX2GLD	E39	HKBX Series
HKXGL	E39	HKBX Series
HOOKLOOP	L103	FKA/LOOP
HP20-2F	CN110	HP20 Series
HP20-2M	CN110	HP20 Series
HP20-3F	CN110	HP20 Series
HP20-3M	CN110	HP20 Series
HP20-4/0F	CN110	HP20 Series
HP20-4/0M	CN110	HP20 Series
HP20-4F	CN110	HP20 Series
HP20-4M	CN110	HP20 Series
HP20-5F	CN110	HP20 Series
HP20-5M	CN110	HP20 Series
HP20-6F	CN110	HP20 Series
HP20-6M	CN110	HP20 Series
HP20-7F	CN110	HP20 Series
HP20-7M	CN110	HP20 Series
HP20-FBB	CN110	HP20 Series
HP20-MBB	CN110	HP20 Series
HQS-014 ML	F204	MC2X Series
HQS-024 ML	F204	MC2X Series
HQS-050 ML	F204	MC2X Series
HRD400	L35, L97	EZL, EZ Series
HRD400ALZ	L35, L97	EZL, EZ Series
H-SS	F97	SPARTAN POLE
HUB2PC120	L27	VMLX Series
HUB2PC227	L27	VMLX Series
HUB2PC347	L27	VMLX Series
HXB-11	L107	HXB/XFH/EKJ Series
HXB-12	L107	HXB/XFH/EKJ Series
HXB-21	L107	HXB/XFH/EKJ Series
HXB-22	L107	HXB/XFH/EKJ Series
HXBC	L107	HXB/XFH/EKJ Series
JABC	F138	JL/JAL Series
JAH-1	F138	JL/JAL Series
JAH-2	F138	JL/JAL Series
JALX-10	F138	JL/JAL Series
JALX-11	F138, L109	JL/JAL/ENY Series
JALX-12	F138, L109	JL/JAL/ENY Series
JALX-20	F138	JL/JAL Series
JALX-21	F138, L109	JL/JAL/ENY Series
JALX-22	F138, L109	JL/JAL/ENY Series
JALX-3	CN57	KR Series
JALX-30	F138	JL/JAL Series

INTRODUCTION

NUMERIC INDEX

Part #	SEC./PG	PROD. GRP.
JALX-31	F138, L109	JL/JAL/ENY Series
JALX-32	F138, L109	JL/JAL/ENY Series
JALX-4	CN57	KR Series
JALX-40	F138	JL/JAL Series
JCB	F138	JL/JAL Series
JH-1	F138	JL/JAL Series
JH-2	F138	JL/JAL Series
JLC-1	CN55-CN56	KR Series
JLC-10	F138	JL/JAL Series
JLC-11	F138, L109	JL/JAL/ENY Series
JLC-12	F138, L109	JL/JAL/ENY Series
JLC-2	CN55-CN56	KR Series
JLC-20	F138	JL/JAL Series
JLC-21	F138, L109	JL/JAL/ENY Series
JLC-22	F138, L109	JL/JAL/ENY Series
JLX-1	CN55-CN56	KR Series
JLX-10	F138	JL/JAL Series
JLX-11	F138, L109	JL/JAL/ENY Series
JLX-12	F138, L109	JL/JAL/ENY Series
JLX-2	CN55-CN56	KR Series
JLX-20	F138	JL/JAL Series
JLX-21	F138, L109	JL/JAL/ENY Series
JLX-22	F138, L109	JL/JAL/ENY Series
K038	F169	K Series
K0381	F169	K Series
K0381-G	F172	K Series
K0384	F170	K Series
K03841	F170	K Series
K03841-G	F172	K Series
K0389	F170	K Series
K03891	F170	K Series
K03891-G	F172	K Series
K050	F169	K Series
K0501	F169	K Series
K0501-G	F172	K Series
K0504	F170	K Series
K05041	F170	K Series
K05041-G	F172	K Series
K0509	F170	K Series
K05091	F170	K Series
K05091-G	F172	K Series
K075	F169	K Series
K0751	F169	K Series
K0751-G	F172	K Series
K0754	F170	K Series
K07541	F170	K Series

Part #	SEC./PG	PROD. GRP.
K07541-G	F172	K Series
K0759	F170	K Series
K07591	F170	K Series
K07591-G	F172	K Series
K100	F169	K Series
K1001	F169	K Series
K1001-G	F172	K Series
K1004	F170	K Series
K10041	F170	K Series
K10041-G	F172	K Series
K1009	F170	K Series
K10091	F170	K Series
K10091-G	F172	K Series
K125	F169	K Series
K1251	F169	K Series
K1251-G	F172	K Series
K1254	F170	K Series
K12541	F170	K Series
K12541-G	F172	K Series
K1259	F170	K Series
K12591	F170	K Series
K12591-G	F172	K Series
K150	F169	K Series
K1501	F169	K Series
K1501-G	F172	K Series
K1504	F170	K Series
K15041	F170	K Series
K15041-G	F172	K Series
K1509	F170	K Series
K15091	F170	K Series
K15091-G	F172	K Series
K16-20	CN110	HP20 Series
K18-20	CN110	HP20 Series
K200	F169	K Series
K2001	F169	K Series
K2001-G	F172	K Series
K2004	F170	K Series
K20041	F170	K Series
K20041-G	F172	K Series
K2009	F170	K Series
K20091	F170	K Series
K20091-G	F172	K Series
K20-20	CN110	HP20 Series
K22-20	CN110	HP20 Series
K24-20	CN110	HP20 Series
K250	F169	K Series

Part #	SEC./PG	PROD. GRP.
K2501	F169	K Series
K2501-G	F172	K Series
K2509	F170	K Series
K25091	F170	K Series
K25091-G	F172	K Series
K300	F169	K Series
K3001	F169	K Series
K3001-G	F172	K Series
K3009	F170	K Series
K30091	F170	K Series
K30091-G	F172	K Series
K350	F169	K Series
K3501	F169	K Series
K3501-G	F172	K Series
K400	F169	K Series
K4001	F169	K Series
K4001-G	F172	K Series
K4009	F170	K Series
K40091	F170	K Series
K40091-G	F172	K Series
K4040	L42, L44, L46, L48	Floodlight Accessories
KB014	S18	B7MSN Series
KB022	S18	B7MSN Series
KB025	S18	B7MSN Series
KB032	S18	B7MSN Series
KB036	S18	B7MSN Series
KB040	S18	B7MSN Series
KB044	S18	B7MSN Series
KB045	S18	B7MSN Series
KB050	S18	B7MSN Series
KB051	S18	B7MSN Series
KB057	S18	B7MSN Series
KB063	S18	B7MSN Series
KB071	S18	B7MSN Series
KB081	S18	B7MSN Series
KB092	S18	B7MSN Series
KB102	S18	B7MSN Series
KB103	S18	B7MSN Series
KB115	S18	B7MSN Series
KB116	S18	B7MSN Series
KB128	S18	B7MSN Series
KB130	S18	B7MSN Series
KB145	S18	B7MSN Series
KB1-4X	E83, F153	KB Series
KB1-4XS6	E83, F153	KB Series
KB155	S18	B7MSN Series

INTRODUCTION

NUMERIC INDEX

Part #	SEC./PG	PROD. GRP.
KB167	S18	B7MSN Series
KB175	S18	B7MSN Series
KB188	S18	B7MSN Series
KB195	S18	B7MSN Series
KB1B	E83, F153	KB Series
KB1B BREATHER	F152	KDB/KB Series
KB1BCEN	E83, F153, S23	KB, EXB70 Series
KB1BCEN BREATHER	F152	KDB/KB Series
KB1D	E83, F153	KB Series
KB1D DRAIN	F152	KDB/KB Series
KB1DCEN	E83, F153, S23	KB, EXB70 Series
KB1DCEN DRAIN	F152	KDB/KB Series
KB1DSS6CEN	E83, F153	KB Series
KB1FA25	E84, F152	KDB/KB Series
KB1FA25SS6	E84, F152	KDB/KB Series
KB1FAM16	E84, F152	KDB/KB Series
KB1FAM16SS6	E84	KB Flame Arrestors
KB210	S18	B7MSN Series
KB240	S18	B7MSN Series
KB265	S18	B7MSN Series
KB280	S18	B7MSN Series
KB300	S18	B7MSN Series
KB330	S18	B7MSN Series
KB370	S18	B7MSN Series
KB415	S18	B7MSN Series
KB485	S18	B7MSN Series
KB550	S18	B7MSN Series
KB625	S18	B7MSN Series
KB690	S18	B7MSN Series
KB770	S18	B7MSN Series
KB820	S18	B7MSN Series
KB910	S18	B7MSN Series
KBM20BCEN	E83, F153	KB Series
KBM20BCEN BREATHER	F152	KDB/KB Series
KBM20BSS6CEN	E83, F153	KB Series
KBM20DCEN	E83, F153	KB Series
KBM20DCEN DRAIN	F152	KDB/KB Series
KBM20DSS6CEN	E83, F153	KB Series
KBM20FA25	E84, F152	KDB/KB Series
KBM20FA25SS6	E84, F152	KDB/KB Series
KBM20FAM16	E84, F152	KDB/KB Series
KBM20FAM16SS6	E84, F152	KDB/KB Series
KBQAAL0050	E83, F153, F155	KB, QQBA Series
KBQAS60050	E83, F153, F155	KB, QQBA Series
KD1	F32	KD Ordinary Drain
KD1SA	F32	KD Ordinary Drain

Part #	SEC./PG	PROD. GRP.
KD2	F32	KD Ordinary Drain
KD2SA	F32	KD Ordinary Drain
KDB-1 DRAIN / BREATHER	F152	KDB/KB Series
KDB-250 DRAIN / BREATHER	F152	KDB/KB Series
KDB-250CEN DRAIN / BREATHER	F152	KDB/KB Series
KDB-375 DRAIN / BREATHER	F152	KDB/KB Series
KDB-375CEN DRAIN / BREATHER	F152	KDB/KB Series
KDB-M16CEN DRAIN / BREATHER	F152	KDB/KB Series
KDEAL0050	F154	KDE Series
KDEAL0075	F154	KDE Series
KDEAL0M20	F154	KDE Series
KDEAL0M25	F154	KDE Series
KDEBR0050	F154	KDE Series
KDEBR0075	F154	KDE Series
KDEBR0M20	F154	KDE Series
KDEBR0M25	F154	KDE Series
KDEBR1050	F154	KDE Series
KDEBR1075	F154	KDE Series
KDEBR1M20	F154	KDE Series
KDEBR1M25	F154	KDE Series
KDEGF0050	F154	KDE Series
KDEGF0075	F154	KDE Series
KDEGF0M20	F154	KDE Series
KDEGF0M25	F154	KDE Series
KDES60050	F154	KDE Series
KDES60075	F154	KDE Series
KDES60M20	F154	KDE Series
KDES60M25	F154	KDE Series
KF1L09030	L48	KF1L Series
KF1L09033	L48	KF1L Series
KF1L09034	L48	KF1L Series
KF1L10530	L48	KF1L Series
KF1L10533	L48	KF1L Series
KF1L10534	L48	KF1L Series
KF1L11030	L48	KF1L Series
KF1L11033	L48	KF1L Series
KF1L11034	L48	KF1L Series
KF1L12530	L48	KF1L Series
KF1L12533	L48	KF1L Series
KF1L12534	L48	KF1L Series
KF1L19530	L48	KF1L Series
KF1L-DARK	L48	KF1L Series
KF1L-DOOR	L48	KF1L Series

Part #	SEC./PG	PROD. GRP.
KFCB	L42, L44, L46, L48	Floodlight Accessories
KFL1030	L41	KFL-X Series
KFL1430	L41	KFL-X Series
KFL1430-GREEN	L41	KFL-X Series
KFL1430-TURTLE	L41	KFL-X Series
KFL141E0530	L41	KFL-X Series
KFL141E130	L41	KFL-X Series
KFL2030	L41	KFL-X Series
KFL2H34030	L46	KFL2H Series
KFL2H34033	L46	KFL2H Series
KFL2H34034	L46	KFL2H Series
KFL2H42030	L46	KFL2H Series
KFL2H42033	L46	KFL2H Series
KFL2H42034	L46	KFL2H Series
KFL2H44030	L46	KFL2H Series
KFL2H44033	L46	KFL2H Series
KFL2H44034	L46	KFL2H Series
KFL2H50030	L46	KFL2H Series
KFL2H50033	L46	KFL2H Series
KFL2H50034	L46	KFL2H Series
KFL2H60030	L46	KFL2H Series
KFL2H78030	L46	KFL2H Series
KFL3030	L41	KFL-X Series
KFL730	L41	KFL-X Series
KFL7IE0530	L41	KFL-X Series
KFL7IE130	L41	KFL-X Series
KFLG	L44, L46, L48	KFLH, KFL2H, KF1L Series
KFLH17030	L44	KFLH Series
KFLH17033	L44	KFLH Series
KFLH17034	L44	KFLH Series
KFLH21030	L44	KFLH Series
KFLH21033	L44	KFLH Series
KFLH21034	L44	KFLH Series
KFLH22030	L44	KFLH Series
KFLH22033	L44	KFLH Series
KFLH22034	L44	KFLH Series
KFLH25030	L44	KFLH Series
KFLH25033	L44	KFLH Series
KFLH25034	L44	KFLH Series
KFLH30030	L44	KFLH Series
KFLH39030	L44	KFLH Series
KFLH-DARK	L44, L46	KFLH, KFL2H Series
KFLH-DOOR	L44, L46	KFLH, KFL2H Series
KFLX-DARK	L42	Floodlight Accessories
KFLX-GUARD	L42	Floodlight Accessories
KFS-6	L42, L44, L46, L48	Floodlight Accessories

INTRODUCTION

NUMERIC INDEX

Part #	SEC./PG	PROD. GRP.
KFWB	L42, L44, L46, L48	Floodlight Accessories
KH2001B-3	S6	B7 Series
KH2002B-3	S6	B7 Series
KH2003B-3	S6	B7 Series
KH2004B-3	S6	B7 Series
KH2005B-3	S6	B7 Series
KH2006B-3	S6	B7 Series
KH2007B-3	S6	B7 Series
KH2008B-3	S6	B7 Series
KH2009B-3	S6	B7 Series
KH2010B-3	S6	B7 Series
KH2011B-3	S6	B7 Series
KH2012B-3	S6	B7 Series
KH2013B-3	S6	B7 Series
KH2014B-3	S6	B7 Series
KH2015B-3	S6	B7 Series
KH2016B-3	S6	B7 Series
KH2017B-3	S6	B7 Series
KH2018-3	S6	B7 Series
KH2019-3	S6	B7 Series
KH2020-3	S6	B7 Series
KH2021-3	S6	B7 Series
KH2022-3	S6	B7 Series
KH2023-3	S6	B7 Series
KH2024-3	S6	B7 Series
KILLN1	F180, F182, F188, F190	Z Series
KILLN2	F180, F182, F188, F190	Z Series
KILLN3	F180, F182, F188, F190	Z Series
KILLN375	F180, F182, F188, F190	Z Series
KILLN4	F180, F182, F188, F190	Z Series
KILLN5	F180, F182, F188, F190	Z Series
KILLN6	F180, F182, F188, F190	Z Series
KILLN7	F180, F182, F188, F190	Z Series
KILLN8	F180, F182, F188, F190	Z Series
KIT-232	C74	XAL/XAS Series
KIT-251	DE23, DE26	B7L, D2LC Series
KIT-252	DE23, DE26	B7L, D2LC Series
KIT-263	C69	X/XS/XCS Series
KIT-264	C69	X/XS/XCS Series
KIT-265	C69	X/XS/XCS Series
KIT-266	C69	X/XS/XCS Series
KIT-354	C106	G Series
KIT-355	C106	G Series
KIT-356	C106	G Series
KIT-357	C106	G Series
KIT-358	C106	G Series

Part #	SEC./PG	PROD. GRP.
KIT-359	C106	G Series
KIT-62	C69	X/XS/XCS Series
KIT-63	C69	X/XS/XCS Series
KIT-64	C69	X/XS/XCS Series
KIT-66	C69	X/XS/XCS Series
KIT-67	C69	X/XS/XCS Series
KIT-68	C69	X/XS/XCS Series
KIT-69	C69	X/XS/XCS Series
KIT-70	C69	X/XS/XCS Series
KIT-72	C69	X/XS/XCS Series
KIT-73	C69	X/XS/XCS Series
KIT-74	C69	X/XS/XCS Series
KIT-75	C69	X/XS/XCS Series
KIT-76	C69	X/XS/XCS Series
KIT-78	C69	X/XS/XCS Series
KIT-GOMG	C107	G Series
KIT-GOMK	C107	G Series
KIT-GOMR	C107	G Series
KIT-GOMRJ	C107	G Series
KIT-GOTB	C106	G Series
KLBP01	L55	EBS Series
KOR-1	F180, F182, F188, F190	Z Series
KOR-2	F180, F182, F188, F190	Z Series
KOR-3	F180, F182, F188, F190	Z Series
KOR-4	F180, F182, F188, F190	Z Series
KOR-5	F180, F182, F188, F190	Z Series
KOR-6	F180, F182, F188, F190	Z Series
KP-20ABC	CN55	KR Series
KP-303D23	CN56	KR Series
KP-303D45	CN56	KR Series
KP-303E45	CN56	KR Series
KP-303E67	CN56	KR Series
KP-304D23	CN56	KR Series
KP-304D45	CN56	KR Series
KP-304E45	CN56	KR Series
KP-304E67	CN56	KR Series
KP-603D345	CN57	KR Series
KP-603E45	CN57	KR Series
KP-603E67	CN57	KR Series
KP-604D345	CN57	KR Series
KP-604E45	CN57	KR Series
KP-604E67	CN57	KR Series
KP-604F34	CN57	KR Series
KP-604F56	CN57	KR Series
KQS-050 GUN	F105, F114	EZ, CELOX QQS Series
KQS-050 ML	F105, F114	EZ, CELOX QQS Series

Part #	SEC./PG	PROD. GRP.
KQS-050 NOZ	F114	CELOX QQS Series
KQS-250 GUN	F105, F114	EZ, CELOX QQS Series
KQS-250 ML	F105, F114, F204	EZ, CELOX QQS, MC2X Series
KQS-250 NOZ	F114	CELOX QQS Series
KRAJAC-4603	CN57	KR Series
KRAJAC-4604	CN57	KR Series
KRAJAC-5603	CN57	KR Series
KRAJAC-5604	CN57	KR Series
KRAJAC-6603	CN57	KR Series
KRAJAC-6604	CN57	KR Series
KRAJAT-4603	CN57	KR Series
KRAJAT-4604	CN57	KR Series
KRAJAT-5603	CN57	KR Series
KRAJAT-5604	CN57	KR Series
KRAJC-220	CN55	KR Series
KRAJC-2303	CN56	KR Series
KRAJC-2304	CN56	KR Series
KRAJC-320	CN55	KR Series
KRAJC-3303	CN56	KR Series
KRAJC-3304	CN56	KR Series
KRJ-20	CN55	KR Series
KRJ-303	CN56	KR Series
KRJ-304	CN56	KR Series
KRJ-603	CN57	KR Series
KRJ-604	CN57	KR Series
KRJC-120	CN55	KR Series
KRJC-1303	CN56	KR Series
KRJC-1304	CN56	KR Series
KRJC-220	CN55	KR Series
KRJC-2303	CN56	KR Series
KRJC-2304	CN56	KR Series
KRJX-120	CN55	KR Series
KRJX-1303	CN56	KR Series
KRJX-1304	CN56	KR Series
KRJX-220	CN55	KR Series
KRJX-2303	CN56	KR Series
KRJX-2304	CN56	KR Series
KRJX-3603	CN57	KR Series
KRJX-3604	CN57	KR Series
KRJX-4603	CN57	KR Series
KRJX-4604	CN57	KR Series
KRS-20	CN55	KR Series
KRS-215-120	CN55	KR Series
KRS-215-1303	CN56	KR Series
KRS-215-1304	CN56	KR Series
KRS-215-220	CN55	KR Series

INTRODUCTION NUMERIC INDEX

Part #	SEC./PG	PROD. GRP.
KRS-215-2303	CN56	KR Series
KRS-215-2304	CN56	KR Series
KRS-215-320	CN55	KR Series
KRS-215-3303	CN56	KR Series
KRS-215-3304	CN56	KR Series
KRS-218-120	CN55	KR Series
KRS-218-1303	CN56	KR Series
KRS-218-1304	CN56	KR Series
KRS-218-220	CN55	KR Series
KRS-218-2303	CN56	KR Series
KRS-218-2304	CN56	KR Series
KRS-218-320	CN55	KR Series
KRS-218-3303	CN56	KR Series
KRS-218-3304	CN56	KR Series
KRS-303	CN56	KR Series
KRS-304	CN56	KR Series
KT-100SU41G	L93	EM/EQ Series
KT-100SU41R	L93	EM/EQ Series
KWPL1130	L50	KWPL Series
KWPL1133	L50	KWPL Series
KWPL1134	L50	KWPL Series
KWPL430	L50	KWPL Series
KWPL433	L50	KWPL Series
KWPL434	L50	KWPL Series
KWPL630	L50	KWPL Series
KWPL633	L50	KWPL Series
KWPL634	L50	KWPL Series
KWPL830	L50	KWPL Series
KWPL833	L50	KWPL Series
KWPL834	L50	KWPL Series
KWPLENS	L50	KWPL Series
L17	F14	DURALOY 7 Series
L17SA	F14	DURALOY 7 Series
L1L1030D	L15	L1L Series
L1L1033D	L15	L1L Series
L1L1034D	L15	L1L Series
L1L101E0530D	L15	L1L Series
L1L101E130D	L15	L1L Series
L1L1230D	L15	L1L Series
L1L1233D	L15	L1L Series
L1L1234D	L15	L1L Series
L1L121E0530D	L15	L1L Series
L1L121E130D	L15	L1L Series
L1L1430D	L15	L1L Series
L1L1433D	L15	L1L Series
L1L1434D	L15	L1L Series

Part #	SEC./PG	PROD. GRP.
L1L141E0530D	L15	L1L Series
L1L141E130D	L15	L1L Series
L1L730D	L15	L1L Series
L1L733D	L15	L1L Series
L1L734D	L15	L1L Series
L1L71E0530D	L15	L1L Series
L1L71E130D	L15	L1L Series
L27	F14	DURALOY 7 Series
L27SA	F14	DURALOY 7 Series
L37	F14	DURALOY 7 Series
L37SA	F14	DURALOY 7 Series
L47	F14	DURALOY 7 Series
L47SA	F14	DURALOY 7 Series
L57	F14	DURALOY 7 Series
L57SA	F14	DURALOY 7 Series
L67	F14	DURALOY 7 Series
L67SA	F14	DURALOY 7 Series
L77	F14	DURALOY 7 Series
L77SA	F14	DURALOY 7 Series
L87	F14	DURALOY 7 Series
L87SA	F14	DURALOY 7 Series
LAL12030D	L5	LAL/LALXE/LALC Series
LAL120E1330D	L5	LAL/LALXE/LALC Series
LAL120E2630D	L5	LAL/LALXE/LALC Series
LAL1830C	L4	LAL/LALXE/LALC Series
LAL1830D	L5	LAL/LALXE/LALC Series
LAL18E1330D	L5	LAL/LALXE/LALC Series
LAL2830C	L4	LAL/LALXE/LALC Series
LAL2830D	L5	LAL/LALXE/LALC Series
LAL28E1330D	L5	LAL/LALXE/LALC Series
LAL4530C	L4	LAL/LALXE/LALC Series
LAL4530D	L5	LAL/LALXE/LALC Series
LAL45E1330D	L5	LAL/LALXE/LALC Series
LAL6030C	L4	LAL/LALXE/LALC Series
LAL6030D	L5	LAL/LALXE/LALC Series
LAL60E1330D	L5	LAL/LALXE/LALC Series
LAL8030C	L4	LAL/LALXE/LALC Series
LAL8030D	L5	LAL/LALXE/LALC Series
LAL80E1330D	L5	LAL/LALXE/LALC Series
LAL80E2630D	L5	LAL/LALXE/LALC Series
LAL-BC	L7, L12	LAL/LALXE/LALC, LALFP Series
LALC1527D	L5	LAL/LALXE/LALC Series
LALC1530D	L5	LAL/LALXE/LALC Series
LALC1534D	L5	LAL/LALXE/LALC Series
LALC15E1330D	L5	LAL/LALXE/LALC Series
LALC2027D	L5	LAL/LALXE/LALC Series

Part #	SEC./PG	PROD. GRP.
LALC2030D	L5	LAL/LALXE/LALC Series
LALC2034D	L5	LAL/LALXE/LALC Series
LALC20E1330D	L5	LAL/LALXE/LALC Series
LALC2527D	L5	LAL/LALXE/LALC Series
LALC2530D	L5	LAL/LALXE/LALC Series
LALC2534D	L5	LAL/LALXE/LALC Series
LALC3030D	L5	LAL/LALXE/LALC Series
LALC30E1330D	L5	LAL/LALXE/LALC Series
LALC3530D	L5	LAL/LALXE/LALC Series
LALC4030D	L5	LAL/LALXE/LALC Series
LALC40E1330D	L5	LAL/LALXE/LALC Series
LALC4530D	L5	LAL/LALXE/LALC Series
LALC5030D	L5	LAL/LALXE/LALC Series
LALCG	L7, L12	LAL/LALXE/LALC, LALFP Series
LALC-LENSDIF	L7, L12	LAL/LALXE/LALC, LALFP Series
LAL-EB	L7, L12	LAL/LALXE/LALC, LALFP Series
LALFP1130L5C	L10	LALFP Series
LALFP1130L5D	L11	LALFP Series
LALFP1630L5D	L11	LALFP Series
LALFP230L1D	L11	LALFP Series
LALFP230L3C	L10	LALFP Series
LALFP230L3D	L11	LALFP Series
LALFP230L4D	L11	LALFP Series
LALFP430L1D	L11	LALFP Series
LALFP430L3C	L10	LALFP Series
LALFP430L3D	L11	LALFP Series
LALFP430L4D	L11	LALFP Series
LALFP630L1D	L11	LALFP Series
LALFP630L3D	L11	LALFP Series
LALFP630L4D	L11	LALFP Series
LALFP830L3C	L10	LALFP Series
LALFP830L3D	L11	LALFP Series
LALFP830L4D	L11	LALFP Series
LALG	L7, L12	LAL/LALXE/LALC, LALFP Series
LAL-LENSCLR	L7, L12	LAL/LALXE/LALC, LALFP Series
LAL-LENSDIF	L7, L12	LAL/LALXE/LALC, LALFP Series
LAL-SB	L7, L12	LAL/LALXE/LALC, LALFP Series
LB107	F17	DURALOY 7 Series
LB107SA	F17	DURALOY 7 Series
LB108	F24	DURALOY 8 Series
LB17	F17	DURALOY 7 Series
LB17SA	F17	DURALOY 7 Series

NUMERIC INDEX

Part #	SEC./PG	PROD. GRP.
LB18	F24	DURALOY 8 Series
LB27	F17	DURALOY 7 Series
LB27SA	F17	DURALOY 7 Series
LB28	F24	DURALOY 8 Series
LB28SS	F35	Stainless Steel Conduit Bodies
LB37	F17	DURALOY 7 Series
LB37SA	F17	DURALOY 7 Series
LB38	F24	DURALOY 8 Series
LB38SS	F35	Stainless Steel Conduit Bodies
LB448	F24	DURALOY 8 Series
LB47	F17	DURALOY 7 Series
LB47SA	F17	DURALOY 7 Series
LB57	F17	DURALOY 7 Series
LB57SA	F17	DURALOY 7 Series
LB58	F24	DURALOY 8 Series
LB58SS	F35	Stainless Steel Conduit Bodies
LB67	F17	DURALOY 7 Series
LB67SA	F17	DURALOY 7 Series
LB68	F24	DURALOY 8 Series
LB68SS	F35	Stainless Steel Conduit Bodies
LB77	F17	DURALOY 7 Series
LB77SA	F17	DURALOY 7 Series
LB78	F24	DURALOY 8 Series
LB87	F17	DURALOY 7 Series
LB87SA	F17	DURALOY 7 Series
LB888	F24	DURALOY 8 Series
LB97	F17	DURALOY 7 Series
LB97SA	F17	DURALOY 7 Series
LB98	F24	DURALOY 8 Series
LL107	F17	DURALOY 7 Series
LL107SA	F17	DURALOY 7 Series
LL17	F17	DURALOY 7 Series
LL17SA	F17	DURALOY 7 Series
LL18	F24	DURALOY 8 Series
LL27	F17	DURALOY 7 Series
LL27SA	F17	DURALOY 7 Series
LL28	F24	DURALOY 8 Series
LL28SS	F35	Stainless Steel Conduit Bodies
LL37	F17	DURALOY 7 Series
LL37SA	F17	DURALOY 7 Series
LL38	F24	DURALOY 8 Series
LL38SS	F35	Stainless Steel Conduit Bodies
LL448	F24	DURALOY 8 Series

Part #	SEC./PG	PROD. GRP.
LL47	F17	DURALOY 7 Series
LL47SA	F17	DURALOY 7 Series
LL57	F17	DURALOY 7 Series
LL57SA	F17	DURALOY 7 Series
LL58	F24	DURALOY 8 Series
LL58SS	F35	Stainless Steel Conduit Bodies
LL67	F17	DURALOY 7 Series
LL67SA	F17	DURALOY 7 Series
LL68	F24	DURALOY 8 Series
LL68SS	F35	Stainless Steel Conduit Bodies
LL77	F17	DURALOY 7 Series
LL77SA	F17	DURALOY 7 Series
LL78	F24	DURALOY 8 Series
LL87	F17	DURALOY 7 Series
LL87SA	F17	DURALOY 7 Series
LL888	F24	DURALOY 8 Series
LL97	F17	DURALOY 7 Series
LL97SA	F17	DURALOY 7 Series
LN-1CR	F184, F192, F194	Z Series
LN-2CR	F184, F192, F194	Z Series
LN-375CR	F184, F192, F194	Z Series
LN-3CR	F184, F192, F194	Z Series
LNZ10-050NPT	F195	SWZ/LNZ/ZHLN Series
LNZ10-075NPT	F195	SWZ/LNZ/ZHLN Series
LNZ10-100NPT	F195	SWZ/LNZ/ZHLN Series
LNZ10-125NPT	F195	SWZ/LNZ/ZHLN Series
LNZ10-150NPT	F195	SWZ/LNZ/ZHLN Series
LNZ10-200NPT	F195	SWZ/LNZ/ZHLN Series
LNZ10-250NPT	F195	SWZ/LNZ/ZHLN Series
LNZ10-300NPT	F195	SWZ/LNZ/ZHLN Series
LR107	F13	DURALOY 7 Series
LR107SA	F13	DURALOY 7 Series
LR17	F13	DURALOY 7 Series
LR17SA	F13	DURALOY 7 Series
LR18	F25	DURALOY 8 Series
LR27	F13	DURALOY 7 Series
LR27SA	F13	DURALOY 7 Series
LR28	F25	DURALOY 8 Series
LR28SS	F35	Stainless Steel Conduit Bodies
LR37	F13	DURALOY 7 Series
LR37SA	F13	DURALOY 7 Series
LR38	F25	DURALOY 8 Series
LR38SS	F35	Stainless Steel Conduit Bodies
LR448	F25	DURALOY 8 Series

Part #	SEC./PG	PROD. GRP.
LR47	F13	DURALOY 7 Series
LR47SA	F13	DURALOY 7 Series
LR57	F13	DURALOY 7 Series
LR57SA	F13	DURALOY 7 Series
LR58	F25	DURALOY 8 Series
LR58SS	F35	Stainless Steel Conduit Bodies
LR67	F13	DURALOY 7 Series
LR67SA	F13	DURALOY 7 Series
LR68	F25	DURALOY 8 Series
LR68SS	F35	Stainless Steel Conduit Bodies
LR77	F13	DURALOY 7 Series
LR77SA	F13	DURALOY 7 Series
LR78	F25	DURALOY 8 Series
LR87	F13	DURALOY 7 Series
LR87SA	F13	DURALOY 7 Series
LR888	F25	DURALOY 8 Series
LR97	F13	DURALOY 7 Series
LR97SA	F13	DURALOY 7 Series
LUBG-6	F115	LUBG/LUBT Series
LUBT-2	F115	LUBG/LUBT Series
LZCB	L7, L12	LAL/LALXE/LALC, LALFP Series
LZWB	L7, L12	LAL/LALXE/LALC, LALFP Series
MBA-2	L21	MBL Series
MBA-3	L21	MBL Series
MBAG	L21	MBL Series
MBB-2	L21	MBL Series
MBB-3	L21	MBL Series
MBD-4	L21	MBL Series
MBD-5	L21	MBL Series
MBG (GL)	L21	MBL Series
MBL1427	L20	MBL Series
MBL1430	L20	MBL Series
MBL1434	L20	MBL Series
MBL1727	L20	MBL Series
MBL1730	L20	MBL Series
MBL1734	L20	MBL Series
MBL2027	L20	MBL Series
MBL2030	L20	MBL Series
MBL2034	L20	MBL Series
MBL2227	L20	MBL Series
MBL2230	L20	MBL Series
MBL2234	L20	MBL Series
MBL2527	L20	MBL Series
MBL2530	L20	MBL Series

INTRODUCTION NUMERIC INDEX

Part #	SEC./PG	PROD. GRP.
MBL2534	L20	MBL Series
MBL4030	L20	MBL Series
MBL5030	L20	MBL Series
MBX-2	L21	MBL Series
MBX-3	L21	MBL Series
MBX-8	L21	MBL Series
MC0	F201	MC Series
MC14C	F206	MC 45°/90° Series
MC19C	F206	MC 45°/90° Series
MC1B	F201	MC Series
MC1C	F201	MC Series
MC2	F201	MC Series
MC24-20	CN110	HP20 Series
MC24C	F206	MC 45°/90° Series
MC29	F206	MC 45°/90° Series
MC2X0	F204	MC2X Series
MC2X1B	F204, L44, L46, L48	MC2X, KFLH, KFL2H, KF1L Series
MC2X1C	F204, L44, L46, L48	MC2X, KFLH, KFL2H, KF1L Series
MC2X2	F204, L44, L46, L48	MC2X, KFLH, KFL2H, KF1L Series
MC2X3	F204	MC2X Series
MC2X4	F204	MC2X Series
MC2X5	F204	MC2X Series
MC2X6	F204	MC2X Series
MC2X7	F204	MC2X Series
MC2X8	F204	MC2X Series
MC2X9	F204	MC2X Series
MC3	F201	MC Series
MC4	F201	MC Series
MC5	F201	MC Series
MC6	F201	MC Series
MC7	F201	MC Series
MC8	F201	MC Series
MC9	F201	MC Series
MCX14C	F208	MCX 45°/90° Series
MCX19C	F208	MCX 45°/90° Series
MCX24	F208	MCX 45°/90° Series
MCX29	F208	MCX 45°/90° Series
MF-45-1	F159	FF/MF/MM/BL/GUFS/Y/ EYMF Series
MF-45-1-EX	F160	FF/MF/MM/BL/GUFS/Y/ EYMF Series
MF-45-1M	F159	FF/MF/MM/BL/GUFS/Y/ EYMF Series
MF-45-1M-EX	F160	FF/MF/MM/BL/GUFS/Y/ EYMF Series

Part #	SEC./PG	PROD. GRP.
MF-45-2	F159	FF/MF/MM/BL/GUFS/Y/ EYMF Series
MF-45-2-EX	F160	FF/MF/MM/BL/GUFS/Y/ EYMF Series
MF-45-2M	F159	FF/MF/MM/BL/GUFS/Y/ EYMF Series
MF-45-2M-EX	F160	FF/MF/MM/BL/GUFS/Y/ EYMF Series
MF-90-1	F159	FF/MF/MM/BL/GUFS/Y/ EYMF Series
MF-90-1-EX	F160	FF/MF/MM/BL/GUFS/Y/ EYMF Series
MF-90-1M	F159	FF/MF/MM/BL/GUFS/Y/ EYMF Series
MF-90-1M-EX	F160	FF/MF/MM/BL/GUFS/Y/ EYMF Series
MF-90-2	F159	FF/MF/MM/BL/GUFS/Y/ EYMF Series
MF-90-2-EX	F160	FF/MF/MM/BL/GUFS/Y/ EYMF Series
MF-90-2M	F159	FF/MF/MM/BL/GUFS/Y/ EYMF Series
MF-90-2M-EX	F160	FF/MF/MM/BL/GUFS/Y/ EYMF Series
MHK-RAG	F39, F100	TET, SPARTAN POLE
MHK-RAS	F39, F100	TET, SPARTAN POLE
MHK-RTG	F39, F100	TET, SPARTAN POLE
MHK-RTS	F39, F100	TET, SPARTAN POLE
MHK-WMBG	F100	SPARTAN POLE
MKH-FMBG	F100	SPARTAN POLE
MKH-JFMBG	F100	SPARTAN POLE
MKH-PL514BCD-WDU6-421A	F100	SPARTAN POLE
MKH-PL514BCD-WDU6-423A	F100	SPARTAN POLE
MLB-12	F44	MOL Series
MM-90-1	F159	FF/MF/MM/BL/GUFS/Y/ EYMF Series
MM-90-1-EX	F160	FF/MF/MM/BL/GUFS/Y/ EYMF Series
MM-90-1M	F159	FF/MF/MM/BL/GUFS/Y/ EYMF Series
MM-90-1M-EX	F160	FF/MF/MM/BL/GUFS/Y/ EYMF Series
MM-90-2	F159	FF/MF/MM/BL/GUFS/Y/ EYMF Series
MM-90-2-EX	F160	FF/MF/MM/BL/GUFS/Y/ EYMF Series
MM-90-2M	F159	FF/MF/MM/BL/GUFS/Y/ EYMF Series
MM-90-2M-EX	F160	FF/MF/MM/BL/GUFS/Y/ EYMF Series
MOC-0	F41	MO Series
MOC-0M	F41	MO Series
MOC-3	F41	MO Series

Part #	SEC./PG	PROD. GRP.
MOC-3M	F41	MO Series
MOC-4	F41	MO Series
MOC-4M	F41	MO Series
MOC-5	F41	MO Series
MOC-5M	F41	MO Series
MOC-6	F41	MO Series
MOC-6M	F41	MO Series
MOC-7	F41	MO Series
MOC-7M	F41	MO Series
MOC-8	F41	MO Series
MOC-8M	F41	MO Series
MOC-9	F41	MO Series
MOC-9M	F41	MO Series
MOL-560	F44	MOL Series
MOL-780	F44	MOL Series
MOL-900	F44	MOL Series
MOLB-0	F44	MOL Series
MOLB-4	F44	MOL Series
MOLB-5	F44	MOL Series
MOLB-6	F44	MOL Series
MOLB-6CG	F44	MOL Series
MOLB-7	F44	MOL Series
MOLB-8	F44	MOL Series
MOLB-9	F44	MOL Series
MOLBD-0	F41	MO Series
MOLBD-0M	F41	MO Series
MOLBD-1	F41	MO Series
MOLBD-1M	F41	MO Series
MOLBD-2	F41	MO Series
MOLBD-2M	F41	MO Series
MOLBD-3	F41	MO Series
MOLBD-3M	F41	MO Series
MOLBD-4	F41	MO Series
MOLBD-4M	F41	MO Series
MOLBD-5	F41	MO Series
MOLBD-5M	F41	MO Series
MOLBD-6	F41	MO Series
MOLBD-6M	F41	MO Series
MOLBD-7	F41	MO Series
MOLBD-7M	F41	MO Series
MOLBD-8	F41	MO Series
MOLBD-8M	F41	MO Series
MOLBD-9	F41	MO Series
MOLBD-9M	F41	MO Series
MOT-0	F42	MO Series
MOT-0M	F42	MO Series

INTRODUCTION

NUMERIC INDEX

Part #	SEC./PG	PROD. GRP.
MOT-3	F42	MO Series
MOT-3M	F42	MO Series
MOT-4	F42	MO Series
MOT-4M	F42	MO Series
MOT-5	F42	MO Series
MOT-5M	F42	MO Series
MOT-6	F42	MO Series
MOT-6M	F42	MO Series
MOT-7	F42	MO Series
MOT-7M	F42	MO Series
MOT-8	F42	MO Series
MOT-8M	F42	MO Series
MOT-9	F42	MO Series
MOT-9M	F42	MO Series
MOUB-0	F42	MO Series
MOUB-0M	F42	MO Series
MOUB-3	F42	MO Series
MOUB-3M	F42	MO Series
MOUB-4	F42	MO Series
MOUB-4M	F42	MO Series
MOUB-5	F42	MO Series
MOUB-5M	F42	MO Series
MOUB-6	F42	MO Series
MOUB-6M	F42	MO Series
MOUB-7	F42	MO Series
MOUB-7M	F42	MO Series
MOUB-8	F42	MO Series
MOUB-8M	F42	MO Series
MOUB-9	F42	MO Series
MOUB-9M	F42	MO Series
MQL13	L72	NV2 Series
MQL18	L72	NV2 Series
MQL26	L72, L93	NV2, EM/EQ Series
MQL32	L72, L93	NV2, EM/EQ Series
MQL42	L72, L93	NV2, EM/EQ Series
MXB-13207	DE24	B7L Series
MXB-13297	DE24	B7L Series
MXB-13417	DE24	B7L Series
MXB-13507	DE24	B7L Series
NECLB-3	F46	NECLB Series
NECLB-30	F46	NECLB Series
NECLB-4	F46	NECLB Series
NECLB-40	F46	NECLB Series
NECLB-5	F46	NECLB Series
NECLB-50	F46	NECLB Series
NECLB-6	F46	NECLB Series

Part #	SEC./PG	PROD. GRP.
NECLB-60	F46	NECLB Series
NPRO4-0008	L124, L127	PROTECTA X
NV2AG	L59, L72, L75, L102	NVL, NV2, NVPI/NVPF, NVS Series
NV2BG	L59, L72, L75, L102	NVL, NV2, NVPI/NVPF, NVS Series
NV2FG13	L72	NV2 Series
NV2FG18	L72	NV2 Series
NV2FG26	L72	NV2 Series
NV2FG32	L72	NV2 Series
NV2FG42	L72	NV2 Series
NV2GG	L72, L75, L102	NV2, NVPI/NVPF, NVS Series
NV2IG15	L72	NV2 Series
NV2MG	L59, L72, L102	NVL, NV2, NVS Series
NV2XG	L59, L72, L75, L102	NVL, NV2, NVPI/NVPF, NVS Series
NVEXTG	L59, L72	NVL, NV2 Series
NVPFG13	L75	NVPI/NVPF Series
NVPFG13AG	L75	NVPI/NVPF Series
NVPFG13BG	L75	NVPI/NVPF Series
NVPFG13XG	L75	NVPI/NVPF Series
NVPFG18	L75	NVPI/NVPF Series
NVPFG18AG	L75	NVPI/NVPF Series
NVPFG18BG	L75	NVPI/NVPF Series
NVPFG18XG	L75	NVPI/NVPF Series
NVPFG26	L75	NVPI/NVPF Series
NVPFG26AG	L75	NVPI/NVPF Series
NVPFG26BG	L75	NVPI/NVPF Series
NVPFG26XG	L75	NVPI/NVPF Series
NVPIG40	L75	NVPI/NVPF Series
NVPIG40AG	L75	NVPI/NVPF Series
NVPIG40BG	L75	NVPI/NVPF Series
NVPIG40XG	L75	NVPI/NVPF Series
NVPSD12	L59, L72	NVL, NV2 Series
NVSLCFG25A	L102	NVS Series
NVSLCFG25B	L102	NVS Series
NVSLCFG25C	L102	NVS Series
NVSLCFG25G	L102	NVS Series
NVSLCFG25R	L102	NVS Series
NVSLCFG26A	L102	NVS Series
NVSLCFG26B	L102	NVS Series
NVSLCFG26C	L102	NVS Series
NVSLCFG26G	L102	NVS Series
NVSLCFG26R	L102	NVS Series
NVSLCSG25A	L102	NVS Series
NVSLCSG25B	L102	NVS Series
NVSLCSG25C	L102	NVS Series

Part #	SEC./PG	PROD. GRP.
NVSLCSG25G	L102	NVS Series
NVSLCSG25R	L102	NVS Series
NVSLCSG26A	L102	NVS Series
NVSLCSG26B	L102	NVS Series
NVSLCSG26C	L102	NVS Series
NVSLCSG26G	L102	NVS Series
NVSLCSG26R	L102	NVS Series
NVSMA	L102	NVS Series
NVSMB	L102	NVS Series
NVSMC	L102	NVS Series
NVSMG	L102	NVS Series
NVSMR	L102	NVS Series
NVSZ-LAMP	L102	NVS Series
NVSMZMFG01	L102	NVS Series
NVSMZMFG08	L102	NVS Series
NVSMZMFG26	L102	NVS Series
OC-0	F8	O Series / DURALOY 5 Series
OC-0M	F8	O Series / DURALOY 5 Series
OC-1	F8	O Series / DURALOY 5 Series
OC-1CG	F21	K-PAK
OC-1M	F8	O Series / DURALOY 5 Series
OC-2	F8	O Series / DURALOY 5 Series
OC-2CG	F21	K-PAK
OC-2M	F8	O Series / DURALOY 5 Series
OC-3	F8	O Series / DURALOY 5 Series
OC-3CG	F21	K-PAK
OC-3M	F8	O Series / DURALOY 5 Series
OC-4	F8	O Series / DURALOY 5 Series
OC-4CG	F21	K-PAK
OC-4M	F8	O Series / DURALOY 5 Series
OC-5	F8	O Series / DURALOY 5 Series
OC-5CG	F21	K-PAK
OC-5M	F8	O Series / DURALOY 5 Series
OC-6	F8	O Series / DURALOY 5 Series
OC-6CG	F21	K-PAK
OC-6M	F8	O Series / DURALOY 5 Series
OC-7	F8	O Series / DURALOY 5 Series

INTRODUCTION NUMERIC INDEX

Part #	SEC./PG	PROD. GRP.
OC-7M	F8	O Series / DURALOY 5 Series
OC-8	F8	O Series / DURALOY 5 Series
OC-8M	F8	O Series / DURALOY 5 Series
OC-9	F8	O Series / DURALOY 5 Series
OC-9M	F8	O Series / DURALOY 5 Series
OE-1	F7	O Series / DURALOY 5 Series
OE-1M	F7	O Series / DURALOY 5 Series
OE-2	F7	O Series / DURALOY 5 Series
OE-2M	F7	O Series / DURALOY 5 Series
OE-3	F7	O Series / DURALOY 5 Series
OE-3M	F7	O Series / DURALOY 5 Series
OL-10	F11, F31	O Series / DURALOY 5, CO & TW Series
OL-10CM	F11	O Series / DURALOY 5 Series
OL-10G	F11	O Series / DURALOY 5 Series
OL-10M	F11	O Series / DURALOY 5 Series
OL-10MG	F11	O Series / DURALOY 5 Series
OL-20	F11, F31	O Series / DURALOY 5, CO & TW Series
OL-20CM	F11	O Series / DURALOY 5 Series
OL-20G	F11	O Series / DURALOY 5 Series
OL-20M	F11	O Series / DURALOY 5 Series
OL-20MG	F11	O Series / DURALOY 5 Series
OL-30	F11, F31	O Series / DURALOY 5, CO & TW Series
OL-30CM	F11	O Series / DURALOY 5 Series
OL-30G	F11	O Series / DURALOY 5 Series
OL-30M	F11	O Series / DURALOY 5 Series
OL-30MG	F11	O Series / DURALOY 5 Series
OL-450	F11, F31	O Series / DURALOY 5, CO & TW Series
OL-450G	F11	O Series / DURALOY 5 Series

Part #	SEC./PG	PROD. GRP.
OL-45CM	F11	O Series / DURALOY 5 Series
OL-45M	F11	O Series / DURALOY 5 Series
OL-45MG	F11	O Series / DURALOY 5 Series
OL-45-RG	F11, F31	O Series / DURALOY 5, CO & TW Series
OL-45-SG	F11	O Series / DURALOY 5 Series
OL-45-VG	F11	O Series / DURALOY 5 Series
OL-60	F11, F31	O Series / DURALOY 5, CO & TW Series
OL-60CM	F11	O Series / DURALOY 5 Series
OL-60G	F11	O Series / DURALOY 5 Series
OL-60M	F11	O Series / DURALOY 5 Series
OL-60MG	F11	O Series / DURALOY 5 Series
OL-6-RG	F11, F31	O Series / DURALOY 5, CO & TW Series
OL-6-SG	F11	O Series / DURALOY 5 Series
OL-6-VG	F11	O Series / DURALOY 5 Series
OL-780	F11, F31	O Series / DURALOY 5, CO & TW Series
OL-780G	F11	O Series / DURALOY 5 Series
OL-78CM	F11	O Series / DURALOY 5 Series
OL-78M	F11	O Series / DURALOY 5 Series
OL-78MG	F11	O Series / DURALOY 5 Series
OL-78-RG	F11, F31	O Series / DURALOY 5, CO & TW Series
OL-78-SG	F11	O Series / DURALOY 5 Series
OL-78-VG	F11	O Series / DURALOY 5 Series
OL-900	F11, F31	O Series / DURALOY 5, CO & TW Series
OL-900G	F11	O Series / DURALOY 5 Series
OL-90CM	F11	O Series / DURALOY 5 Series
OL-90M	F11	O Series / DURALOY 5 Series
OL-90MG	F11	O Series / DURALOY 5 Series
OL-90-RG	F11, F31	O Series / DURALOY 5, CO & TW Series

Part #	SEC./PG	PROD. GRP.
OL-90-VG	F11	O Series / DURALOY 5 Series
OLB-0	F8	O Series / DURALOY 5 Series
OLB-0CG	F21	K-PAK
OLB-0M	F8	O Series / DURALOY 5 Series
OLB-1	F8	O Series / DURALOY 5 Series
OLB-1CG	F21	K-PAK
OLB-1M	F8	O Series / DURALOY 5 Series
OLB-2	F8	O Series / DURALOY 5 Series
OLB-2CG	F21	K-PAK
OLB-2M	F8	O Series / DURALOY 5 Series
OLB-3	F8	O Series / DURALOY 5 Series
OLB-3CG	F21	K-PAK
OLB-3M	F8	O Series / DURALOY 5 Series
OLB-4	F8	O Series / DURALOY 5 Series
OLB-4CG	F21	K-PAK
OLB-4M	F8	O Series / DURALOY 5 Series
OLB-5	F8	O Series / DURALOY 5 Series
OLB-5CG	F21	K-PAK
OLB-5M	F8	O Series / DURALOY 5 Series
OLB-6	F8	O Series / DURALOY 5 Series
OLB-6CG	F21	K-PAK
OLB-6M	F8	O Series / DURALOY 5 Series
OLB-7	F8	O Series / DURALOY 5 Series
OLB-7CG	F21	K-PAK
OLB-7M	F8	O Series / DURALOY 5 Series
OLB-8	F8	O Series / DURALOY 5 Series
OLB-8CG	F21	K-PAK
OLB-8M	F8	O Series / DURALOY 5 Series
OLB-9	F8	O Series / DURALOY 5 Series
OLB-9CG	F21	K-PAK
OLB-9M	F8	O Series / DURALOY 5 Series
OLK-1RG	F11, F31	O Series / DURALOY 5, CO & TW Series

NUMERIC INDEX

Part #.....	SEC./PG	PROD. GRP.
OLK-1-SG.....	F11	O Series / DURALOY 5 Series
OLK-1VG.....	F11	O Series / DURALOY 5 Series
OLK-2RG.....	F11, F31	O Series / DURALOY 5, CO & TW Series
OLK-2-SG.....	F11	O Series / DURALOY 5 Series
OLK-2VG.....	F11	O Series / DURALOY 5 Series
OLK-3RG.....	F11, F31	O Series / DURALOY 5, CO & TW Series
OLK-3-SG.....	F11	O Series / DURALOY 5 Series
OLK-3VG.....	F11	O Series / DURALOY 5 Series
OLL-0.....	F7	O Series / DURALOY 5 Series
OLL-0M.....	F7	O Series / DURALOY 5 Series
OLL-1.....	F7	O Series / DURALOY 5 Series
OLL-1CG.....	F21	K-PAK
OLL-1M.....	F7	O Series / DURALOY 5 Series
OLL-2.....	F7	O Series / DURALOY 5 Series
OLL-2CG.....	F21	K-PAK
OLL-2M.....	F7	O Series / DURALOY 5 Series
OLL-3.....	F7	O Series / DURALOY 5 Series
OLL-3CG.....	F21	K-PAK
OLL-3M.....	F7	O Series / DURALOY 5 Series
OLL-4.....	F7	O Series / DURALOY 5 Series
OLL-4CG.....	F21	K-PAK
OLL-4M.....	F7	O Series / DURALOY 5 Series
OLL-5.....	F7	O Series / DURALOY 5 Series
OLL-5CG.....	F21	K-PAK
OLL-5M.....	F7	O Series / DURALOY 5 Series
OLL-6.....	F7	O Series / DURALOY 5 Series
OLL-6CG.....	F21	K-PAK
OLL-6M.....	F7	O Series / DURALOY 5 Series
OLL-7.....	F7	O Series / DURALOY 5 Series
OLL-7M.....	F7	O Series / DURALOY 5 Series
OLL-8.....	F7	O Series / DURALOY 5 Series

Part #.....	SEC./PG	PROD. GRP.
OLL-8M.....	F7	O Series / DURALOY 5 Series
OLL-9.....	F7	O Series / DURALOY 5 Series
OLL-9M.....	F7	O Series / DURALOY 5 Series
OLR-0.....	F9	O Series / DURALOY 5 Series
OLR-0M.....	F9	O Series / DURALOY 5 Series
OLR-1.....	F9	O Series / DURALOY 5 Series
OLR-1CG.....	F21	K-PAK
OLR-1M.....	F9	O Series / DURALOY 5 Series
OLR-2.....	F9	O Series / DURALOY 5 Series
OLR-2CG.....	F21	K-PAK
OLR-2M.....	F9	O Series / DURALOY 5 Series
OLR-3.....	F9	O Series / DURALOY 5 Series
OLR-3CG.....	F21	K-PAK
OLR-3M.....	F9	O Series / DURALOY 5 Series
OLR-4.....	F9	O Series / DURALOY 5 Series
OLR-4CG.....	F21	K-PAK
OLR-4M.....	F9	O Series / DURALOY 5 Series
OLR-5.....	F9	O Series / DURALOY 5 Series
OLR-5CG.....	F21	K-PAK
OLR-5M.....	F9	O Series / DURALOY 5 Series
OLR-6.....	F9	O Series / DURALOY 5 Series
OLR-6CG.....	F21	K-PAK
OLR-6M.....	F9	O Series / DURALOY 5 Series
OLR-7.....	F9	O Series / DURALOY 5 Series
OLR-7M.....	F9	O Series / DURALOY 5 Series
OLR-8.....	F9	O Series / DURALOY 5 Series
OLR-8M.....	F9	O Series / DURALOY 5 Series
OLR-9.....	F9	O Series / DURALOY 5 Series
OLR-9M.....	F9	O Series / DURALOY 5 Series
OT-0.....	F9	O Series / DURALOY 5 Series
OT-0M.....	F9	O Series / DURALOY 5 Series

Part #.....	SEC./PG	PROD. GRP.
OT-1.....	F9	O Series / DURALOY 5 Series
OT-1CG.....	F21	K-PAK
OT-1M.....	F9	O Series / DURALOY 5 Series
OT-2.....	F9	O Series / DURALOY 5 Series
OT-2CG.....	F21	K-PAK
OT-2M.....	F9	O Series / DURALOY 5 Series
OT-3.....	F9	O Series / DURALOY 5 Series
OT-3CG.....	F21	K-PAK
OT-3M.....	F9	O Series / DURALOY 5 Series
OT-4.....	F9	O Series / DURALOY 5 Series
OT-4CG.....	F21	K-PAK
OT-4M.....	F9	O Series / DURALOY 5 Series
OT-5.....	F9	O Series / DURALOY 5 Series
OT-5CG.....	F21	K-PAK
OT-5M.....	F9	O Series / DURALOY 5 Series
OT-6.....	F9	O Series / DURALOY 5 Series
OT-6CG.....	F21	K-PAK
OT-6M.....	F9	O Series / DURALOY 5 Series
OT-7.....	F9	O Series / DURALOY 5 Series
OT-7M.....	F9	O Series / DURALOY 5 Series
OT-8.....	F9	O Series / DURALOY 5 Series
OT-8M.....	F9	O Series / DURALOY 5 Series
OT-9.....	F9	O Series / DURALOY 5 Series
OT-9M.....	F9	O Series / DURALOY 5 Series
OTA-1.....	F10	O Series / DURALOY 5 Series
OTA-1M.....	F10	O Series / DURALOY 5 Series
OTA-2.....	F10	O Series / DURALOY 5 Series
OTA-2M.....	F10	O Series / DURALOY 5 Series
OTA-3M.....	F10	O Series / DURALOY 5 Series
OTB-1.....	F10	O Series / DURALOY 5 Series
OTB-1M.....	F10	O Series / DURALOY 5 Series

INTRODUCTION NUMERIC INDEX

Part #	SEC./PG	PROD. GRP.
OTB-2	F10	O Series / DURALOY 5 Series
OTB-2M	F10	O Series / DURALOY 5 Series
OTB-3	F10	O Series / DURALOY 5 Series
OTB-3M	F10	O Series / DURALOY 5 Series
OTB-4	F10	O Series / DURALOY 5 Series
OTB-4M	F10	O Series / DURALOY 5 Series
OTB-5	F10	O Series / DURALOY 5 Series
OTB-5M	F10	O Series / DURALOY 5 Series
OTB-6	F10	O Series / DURALOY 5 Series
OTB-6M	F10	O Series / DURALOY 5 Series
OX-1	F10	O Series / DURALOY 5 Series
OX-1M	F10	O Series / DURALOY 5 Series
OX-2	F10	O Series / DURALOY 5 Series
OX-2M	F10	O Series / DURALOY 5 Series
OX-3	F10	O Series / DURALOY 5 Series
OX-3M	F10	O Series / DURALOY 5 Series
OX-4	F10	O Series / DURALOY 5 Series
OX-4M	F10	O Series / DURALOY 5 Series
OX-5	F10	O Series / DURALOY 5 Series
OX-5M	F10	O Series / DURALOY 5 Series
OX-6	F10	O Series / DURALOY 5 Series
OX-6M	F10	O Series / DURALOY 5 Series
PCC050	F197	PCC/ECC/RACC Series
PCC075	F197	PCC/ECC/RACC Series
PCC100	F197	PCC/ECC/RACC Series
PCC125	F197	PCC/ECC/RACC Series
PCC150	F197	PCC/ECC/RACC Series
PCC200	F197	PCC/ECC/RACC Series
PCC250	F197	PCC/ECC/RACC Series
PCC300	F197	PCC/ECC/RACC Series
PCC350	F197	PCC/ECC/RACC Series
PCC400	F197	PCC/ECC/RACC Series
PF-16	F111	SC/PF Series

Part #	SEC./PG	PROD. GRP.
PF-2	F111	SC/PF Series
PF-4	F111	SC/PF Series
PGPS	L50	KWPL Series
PGWG	L50	KWPL Series
PL511	E30	PL5 Series
PL513	E30	PL5 Series
PL514	E30	PL5 Series
PL520	E30	PL5 Series
PL612	E34	PL6 Series
PL615	E34	PL6 Series
PL620	E34	PL6 Series
PL626	E34	PL6 Series
PL630	E34	PL6 Series
PLUG1	F146	CUP/PLUG Series
PLUG10	F146	CUP/PLUG Series
PLUG10-EX	F147	CUP/PLUG Series
PLUG1-EX	F147	CUP/PLUG Series
PLUG2	F146	CUP/PLUG Series
PLUG2-EX	F147	CUP/PLUG Series
PLUG3	F146	CUP/PLUG Series
PLUG375	F146	CUP/PLUG Series
PLUG3-EX	F147	CUP/PLUG Series
PLUG4	F146	CUP/PLUG Series
PLUG4-EX	F147	CUP/PLUG Series
PLUG5	F146	CUP/PLUG Series
PLUG5-EX	F147	CUP/PLUG Series
PLUG6	F146	CUP/PLUG Series
PLUG6-EX	F147	CUP/PLUG Series
PLUG7	F146	CUP/PLUG Series
PLUG7-EX	F147	CUP/PLUG Series
PLUG8	F146	CUP/PLUG Series
PLUG8-EX	F147	CUP/PLUG Series
PLUG9	F146	CUP/PLUG Series
PLUG9-EX	F147	CUP/PLUG Series
PRXB/02L/LE	L127	PROTECTA X Z1
PRXB/02L/LE/EM	L127	PROTECTA X Z1
PRXB/05L/LE	L127	PROTECTA X Z1
PRXB/05L/LE/EM	L127	PROTECTA X Z1
PRXI/02L/LE	L124	PROTECTA X
PRXI/02L/LE/EM	L124	PROTECTA X
PRXI/05L/LE	L124	PROTECTA X
PRXI/05L/LE/EM	L124	PROTECTA X
PVLV	L50	KWPL Series
QS-535-L	CN102, CN110	RMPIII, HP20 Series
QS-646-L	CN102, CN110	RMPIII, HP20 Series
QS-777-L	CN102, CN110	RMPIII, HP20 Series

Part #	SEC./PG	PROD. GRP.
R-10	F157	R/RE/ADUP Series
R-106	F157	R/RE/ADUP Series
R-106-EX	F157	R/RE/ADUP Series
R-107	F157	R/RE/ADUP Series
R-107-EX	F157	R/RE/ADUP Series
R-108	F157	R/RE/ADUP Series
R-108-EX	F157	R/RE/ADUP Series
R-109	F157	R/RE/ADUP Series
R-109-EX	F157	R/RE/ADUP Series
R-10-EX	F157	R/RE/ADUP Series
R-20	F157	R/RE/ADUP Series
R-20-EX	F157	R/RE/ADUP Series
R-21	F157	R/RE/ADUP Series
R-21-EX	F157	R/RE/ADUP Series
R-30	F157	R/RE/ADUP Series
R-30-EX	F157	R/RE/ADUP Series
R-31	F157	R/RE/ADUP Series
R-31-EX	F157	R/RE/ADUP Series
R-32	F157	R/RE/ADUP Series
R-32-EX	F157	R/RE/ADUP Series
R-41	F157	R/RE/ADUP Series
R-41-EX	F157	R/RE/ADUP Series
R-42	F157	R/RE/ADUP Series
R-42-EX	F157	R/RE/ADUP Series
R-43	F157	R/RE/ADUP Series
R-43-EX	F157	R/RE/ADUP Series
R-51	F157	R/RE/ADUP Series
R-51-EX	F157	R/RE/ADUP Series
R-52	F157	R/RE/ADUP Series
R-52-EX	F157	R/RE/ADUP Series
R-53	F157	R/RE/ADUP Series
R-53-EX	F157	R/RE/ADUP Series
R-54	F157	R/RE/ADUP Series
R-54-EX	F157	R/RE/ADUP Series
R-61	F157	R/RE/ADUP Series
R-61-EX	F157	R/RE/ADUP Series
R-62	F157	R/RE/ADUP Series
R-62-EX	F157	R/RE/ADUP Series
R-63	F157	R/RE/ADUP Series
R-63-EX	F157	R/RE/ADUP Series
R-64	F157	R/RE/ADUP Series
R-64-EX	F157	R/RE/ADUP Series
R-65	F157	R/RE/ADUP Series
R-65-EX	F157	R/RE/ADUP Series
R-73	F157	R/RE/ADUP Series
R-73-EX	F157	R/RE/ADUP Series

INTRODUCTION

NUMERIC INDEX

Part #	SEC./PG	PROD. GRP.
R-74	F157	R/RE/ADUP Series
R-74-EX	F157	R/RE/ADUP Series
R-75	F157	R/RE/ADUP Series
R-75-EX	F157	R/RE/ADUP Series
R-76	F157	R/RE/ADUP Series
R-76-EX	F157	R/RE/ADUP Series
R-84	F157	R/RE/ADUP Series
R-84-EX	F157	R/RE/ADUP Series
R-85	F157	R/RE/ADUP Series
R-85-EX	F157	R/RE/ADUP Series
R-86	F157	R/RE/ADUP Series
R-86-EX	F157	R/RE/ADUP Series
R-87	F157	R/RE/ADUP Series
R-87-EX	F157	R/RE/ADUP Series
R-96	F157	R/RE/ADUP Series
R-96-EX	F157	R/RE/ADUP Series
R-97	F157	R/RE/ADUP Series
R-97-EX	F157	R/RE/ADUP Series
R-98	F157	R/RE/ADUP Series
R-98-EX	F157	R/RE/ADUP Series
RACC050	F197	PCC/ECC/RACC Series
RACC075	F197	PCC/ECC/RACC Series
RACC100	F197	PCC/ECC/RACC Series
RACC125	F197	PCC/ECC/RACC Series
RACC150	F197	PCC/ECC/RACC Series
RACC200	F197	PCC/ECC/RACC Series
RACC250	F197	PCC/ECC/RACC Series
RACC300	F197	PCC/ECC/RACC Series
RACC350	F197	PCC/ECC/RACC Series
RACC400	F197	PCC/ECC/RACC Series
RE106S	F157	R/RE/ADUP Series
RE107S	F157	R/RE/ADUP Series
RE108S	F157	R/RE/ADUP Series
RE109S	F157	R/RE/ADUP Series
RE20S	F157	R/RE/ADUP Series
RE21S	F157	R/RE/ADUP Series
RE21S-EX	F157	R/RE/ADUP Series
RE30S	F157	R/RE/ADUP Series
RE31S	F157	R/RE/ADUP Series
RE31S-EX	F157	R/RE/ADUP Series
RE32S	F157	R/RE/ADUP Series
RE32S-EX	F157	R/RE/ADUP Series
RE41S	F157	R/RE/ADUP Series
RE41S-EX	F157	R/RE/ADUP Series
RE42S	F157	R/RE/ADUP Series
RE42S-EX	F157	R/RE/ADUP Series

Part #	SEC./PG	PROD. GRP.
RE43S	F157	R/RE/ADUP Series
RE43S-EX	F157	R/RE/ADUP Series
RE51S	F157	R/RE/ADUP Series
RE51S-EX	F157	R/RE/ADUP Series
RE52S	F157	R/RE/ADUP Series
RE52S-EX	F157	R/RE/ADUP Series
RE53S	F157	R/RE/ADUP Series
RE53S-EX	F157	R/RE/ADUP Series
RE54S	F157	R/RE/ADUP Series
RE54S-EX	F157	R/RE/ADUP Series
RE61S	F157	R/RE/ADUP Series
RE61S-EX	F157	R/RE/ADUP Series
RE62S	F157	R/RE/ADUP Series
RE62S-EX	F157	R/RE/ADUP Series
RE63S	F157	R/RE/ADUP Series
RE63S-EX	F157	R/RE/ADUP Series
RE64S	F157	R/RE/ADUP Series
RE64S-EX	F157	R/RE/ADUP Series
RE65S	F157	R/RE/ADUP Series
RE65S-EX	F157	R/RE/ADUP Series
RE73S	F157	R/RE/ADUP Series
RE74S	F157	R/RE/ADUP Series
RE75S	F157	R/RE/ADUP Series
RE76S	F157	R/RE/ADUP Series
RE84S	F157	R/RE/ADUP Series
RE85S	F157	R/RE/ADUP Series
RE86S	F157	R/RE/ADUP Series
RE87S	F157	R/RE/ADUP Series
RE96S	F157	R/RE/ADUP Series
RE97S	F157	R/RE/ADUP Series
RE98S	F157	R/RE/ADUP Series
RMP-BMC-BK	CN102	RMPIII Series
RMP-BMC-BL	CN102	RMPIII Series
RMP-BMC-BR	CN102	RMPIII Series
RMP-BMC-G	CN102	RMPIII Series
RMP-BMC-GY	CN102	RMPIII Series
RMP-BMC-OR	CN102	RMPIII Series
RMP-BMC-P	CN102	RMPIII Series
RMP-BMC-R	CN102	RMPIII Series
RMP-BMC-W	CN102	RMPIII Series
RMP-BMC-Y	CN102	RMPIII Series
RMP-C-262F	CN102	RMPIII Series
RMP-C-262M	CN102	RMPIII Series
RMP-C-373F	CN102	RMPIII Series
RMP-C-373M	CN102	RMPIII Series
RMP-C-3F	CN102	RMPIII Series

Part #	SEC./PG	PROD. GRP.
RMP-C-3M	CN102	RMPIII Series
RMP-C-4/ØF	CN102	RMPIII Series
RMP-C-4/ØM	CN102	RMPIII Series
RMP-C-4F	CN102	RMPIII Series
RMP-C-4M	CN102	RMPIII Series
RMP-C-5F	CN102	RMPIII Series
RMP-C-5M	CN102	RMPIII Series
RMP-C-6F	CN102	RMPIII Series
RMP-C-6M	CN102	RMPIII Series
RMP-C-7F	CN102	RMPIII Series
RMP-C-7M	CN102	RMPIII Series
RMP-CMP-F-BK	CN102	RMPIII Series
RMP-CMP-F-BL	CN102	RMPIII Series
RMP-CMP-F-BR	CN102	RMPIII Series
RMP-CMP-F-G	CN102	RMPIII Series
RMP-CMP-F-GY	CN102	RMPIII Series
RMP-CMP-F-OR	CN102	RMPIII Series
RMP-CMP-F-P	CN102	RMPIII Series
RMP-CMP-F-R	CN102	RMPIII Series
RMP-CMP-F-W	CN102	RMPIII Series
RMP-CMP-F-Y	CN102	RMPIII Series
RMP-CMP-M-BK	CN102	RMPIII Series
RMP-CMP-M-BL	CN102	RMPIII Series
RMP-CMP-M-BR	CN102	RMPIII Series
RMP-CMP-M-G	CN102	RMPIII Series
RMP-CMP-M-GY	CN102	RMPIII Series
RMP-CMP-M-OR	CN102	RMPIII Series
RMP-CMP-M-P	CN102	RMPIII Series
RMP-CMP-M-R	CN102	RMPIII Series
RMP-CMP-M-W	CN102	RMPIII Series
RMP-CMP-M-Y	CN102	RMPIII Series
RMP-CMR-AL	CN102	RMPIII Series
RMP-CMR-BK	CN102	RMPIII Series
RMP-CMR-BL	CN102	RMPIII Series
RMP-CMR-BR	CN102	RMPIII Series
RMP-CMR-G	CN102	RMPIII Series
RMP-CMR-GY	CN102	RMPIII Series
RMP-CMR-OR	CN102	RMPIII Series
RMP-CMR-P	CN102	RMPIII Series
RMP-CMR-R	CN102	RMPIII Series
RMP-CMR-W	CN102	RMPIII Series
RMP-CMR-Y	CN102	RMPIII Series
RMP-FGP-4	CN102	RMPIII Series
RMP-FGR	CN102	RMPIII Series
RMPIII-CMP-262F-BK	CN101	RMPIII Series
RMPIII-CMP-262F-BL	CN101	RMPIII Series

INTRODUCTION NUMERIC INDEX

Part #	SEC./PG	PROD. GRP.
RMPIII-PMR-FPS-G	CN101	RMPIII Series
RMPIII-PMR-FPS-GY	CN101	RMPIII Series
RMPIII-PMR-FPS-OR	CN101	RMPIII Series
RMPIII-PMR-FPS-P	CN101	RMPIII Series
RMPIII-PMR-FPS-R	CN101	RMPIII Series
RMPIII-PMR-FPS-W	CN101	RMPIII Series
RMPIII-PMR-FPS-Y	CN101	RMPIII Series
RMPIII-PMR-S-F-BK	CN96	RMPIII Series
RMPIII-PMR-S-F-BL	CN96	RMPIII Series
RMPIII-PMR-S-F-BR	CN96	RMPIII Series
RMPIII-PMR-S-F-G	CN96	RMPIII Series
RMPIII-PMR-S-F-O	CN96	RMPIII Series
RMPIII-PMR-S-F-R	CN96	RMPIII Series
RMPIII-PMR-S-F-W	CN96	RMPIII Series
RMPIII-PMR-S-F-Y	CN96	RMPIII Series
RMPIII-PMR-S-M-BK	CN96	RMPIII Series
RMPIII-PMR-S-M-BL	CN96	RMPIII Series
RMPIII-PMR-S-M-BR	CN96	RMPIII Series
RMPIII-PMR-S-M-G	CN96	RMPIII Series
RMPIII-PMR-S-M-O	CN96	RMPIII Series
RMPIII-PMR-S-M-R	CN96	RMPIII Series
RMPIII-PMR-S-M-W	CN96	RMPIII Series
RMPIII-PMR-S-M-Y	CN96	RMPIII Series
RMPIII-PMR-SS-F-BK	CN96	RMPIII Series
RMPIII-PMR-SS-F-BL	CN96	RMPIII Series
RMPIII-PMR-SS-F-BR	CN96	RMPIII Series
RMPIII-PMR-SS-F-G	CN96	RMPIII Series
RMPIII-PMR-SS-F-O	CN96	RMPIII Series
RMPIII-PMR-SS-F-R	CN96	RMPIII Series
RMPIII-PMR-SS-F-W	CN96	RMPIII Series
RMPIII-PMR-SS-F-Y	CN96	RMPIII Series
RMPIII-PMR-SS-M-BK	CN96	RMPIII Series
RMPIII-PMR-SS-M-BL	CN96	RMPIII Series
RMPIII-PMR-SS-M-BR	CN96	RMPIII Series
RMPIII-PMR-SS-M-G	CN96	RMPIII Series
RMPIII-PMR-SS-M-O	CN96	RMPIII Series
RMPIII-PMR-SS-M-R	CN96	RMPIII Series
RMPIII-PMR-SS-M-W	CN96	RMPIII Series
RMPIII-PMR-SS-M-Y	CN96	RMPIII Series
RMP-LOC-Y	CN102	RMPIII Series
RMP-LOS-X	CN102	RMPIII Series
RMP-MGP-4	CN102	RMPIII Series
RMP-MGR	CN102	RMPIII Series
RMP-PMR-BK	CN102	RMPIII Series
RMP-PMR-BL	CN102	RMPIII Series
RMP-PMR-BR	CN102	RMPIII Series

Part #	SEC./PG	PROD. GRP.
RMP-PMR-G	CN102	RMPIII Series
RMP-PMR-GY	CN102	RMPIII Series
RMP-PMR-OR	CN102	RMPIII Series
RMP-PMR-P	CN102	RMPIII Series
RMP-PMR-R	CN102	RMPIII Series
RMP-PMR-W	CN102	RMPIII Series
RMP-PMR-Y	CN102	RMPIII Series
SC-1 LB	F105, F111	EZ, SC/PF Series
SC11W	F111	SC/PF Series
SC-4 OZ	F105, F111	EZ Series, SC/PF Series
SC-5 LB	F105, F111	EZ, SC/PF Series
SC5W	F111	SC/PF Series
SC-8 OZ	F105, F111	EZ, SC/PF Series
SD-B1516-23SL-TC	CN67	Explosionproof Starline
SD-B1516-23SL-XX	CN67	Explosionproof Starline
SD-B1516-51SL-TC	CN67	Explosionproof Starline
SD-B1516-51SL-XX	CN67	Explosionproof Starline
SD-B1520-36SL-TC	CN67	Explosionproof Starline
SD-B1520-36SL-XX	CN67	Explosionproof Starline
SD-B1520-40SL-TC	CN67	Explosionproof Starline
SD-B1520-40SL-XX	CN67	Explosionproof Starline
SD-B1520-56SL-TC	CN67	Explosionproof Starline
SD-B1520-56SL-XX	CN67	Explosionproof Starline
SD-B1520-61SL-TC	CN67	Explosionproof Starline
SD-B1520-61SL-XX	CN67	Explosionproof Starline
SD-B1524-29SL-TC	CN67	Explosionproof Starline
SD-B1524-29SL-XX	CN67	Explosionproof Starline
SD-B1524-32SL-TC	CN67	Explosionproof Starline
SD-B1524-32SL-XX	CN67	Explosionproof Starline
SD-B1524-39SL-TC	CN67	Explosionproof Starline
SD-B1524-39SL-XX	CN67	Explosionproof Starline
SD-B1524-60SL-TC	CN67	Explosionproof Starline
SD-B1524-60SL-XX	CN67	Explosionproof Starline
SD-B1528-23SL-TC	CN67	Explosionproof Starline
SD-B1528-23SL-XX	CN67	Explosionproof Starline
SD-B1716-23SL-FH	CN67	Explosionproof Starline
SD-B1716-23SL-L36	CN67	Explosionproof Starline
SD-B1716-51SL-FH	CN67	Explosionproof Starline
SD-B1716-51SL-L36	CN67	Explosionproof Starline
SD-B1720-36SL-FH	CN67	Explosionproof Starline
SD-B1720-36SL-L36	CN67	Explosionproof Starline
SD-B1720-40SL-FH	CN67	Explosionproof Starline
SD-B1720-40SL-L36	CN67	Explosionproof Starline
SD-B1720-56SL-FH	CN67	Explosionproof Starline
SD-B1720-56SL-L36	CN67	Explosionproof Starline
SD-B1720-61SL-FH	CN67	Explosionproof Starline

Part #	SEC./PG	PROD. GRP.
SD-B1720-61SL-L36	CN67	Explosionproof Starline
SD-B1724-29SL-BK	CN67	Explosionproof Starline
SD-B1724-29SL-L36	CN67	Explosionproof Starline
SD-B1724-32SL-BK	CN67	Explosionproof Starline
SD-B1724-32SL-L36	CN67	Explosionproof Starline
SD-B1724-39SL-BK	CN67	Explosionproof Starline
SD-B1724-39SL-L36	CN67	Explosionproof Starline
SD-B1724-60SL-BK	CN67	Explosionproof Starline
SD-B1724-60SL-L36	CN67	Explosionproof Starline
SD-B1728-23SL-BL	CN67	Explosionproof Starline
SD-B1728-23SL-L36	CN67	Explosionproof Starline
SD-B1916-23SL-L48	CN67	Explosionproof Starline
SD-B1916-51SL-L48	CN67	Explosionproof Starline
SD-B1920-36SL-L48	CN67	Explosionproof Starline
SD-B1920-40SL-L48	CN67	Explosionproof Starline
SD-B1920-56SL-L48	CN67	Explosionproof Starline
SD-B1920-61SL-L48	CN67	Explosionproof Starline
SD-B1924-29SL-L48	CN67	Explosionproof Starline
SD-B1924-32SL-L48	CN67	Explosionproof Starline
SD-B1924-39SL-L48	CN67	Explosionproof Starline
SD-B1924-60SL-L48	CN67	Explosionproof Starline
SD-B1928-23SL-L48	CN67	Explosionproof Starline
SD-D1016-23PL-TC	CN67	Explosionproof Starline
SD-D1016-23PL-XX	CN67	Explosionproof Starline
SD-D1016-51PL-TC	CN67	Explosionproof Starline
SD-D1016-51PL-XX	CN67	Explosionproof Starline
SD-D1020-36PL-TC	CN67	Explosionproof Starline
SD-D1020-36PL-XX	CN67	Explosionproof Starline
SD-D1020-40PL-TC	CN67	Explosionproof Starline
SD-D1020-40PL-XX	CN67	Explosionproof Starline
SD-D1020-56PL-TC	CN67	Explosionproof Starline
SD-D1020-56PL-XX	CN67	Explosionproof Starline
SD-D1020-61PL-TC	CN67	Explosionproof Starline
SD-D1020-61PL-XX	CN67	Explosionproof Starline
SD-D1024-29PL-TC	CN67	Explosionproof Starline
SD-D1024-29PL-XX	CN67	Explosionproof Starline
SD-D1024-32PL-TC	CN67	Explosionproof Starline
SD-D1024-32PL-XX	CN67	Explosionproof Starline
SD-D1024-39PL-TC	CN67	Explosionproof Starline
SD-D1024-39PL-XX	CN67	Explosionproof Starline
SD-D1024-60PL-TC	CN67	Explosionproof Starline
SD-D1024-60PL-XX	CN67	Explosionproof Starline
SD-D1028-23PL-TC	CN67	Explosionproof Starline
SD-D1028-23PL-XX	CN67	Explosionproof Starline
SdT-B1528-42SL-TC	CN67	Explosionproof Starline
SdT-B1528-42SL-XX	CN67	Explosionproof Starline

INTRODUCTION

NUMERIC INDEX

Part #	SEC./PG	PROD. GRP.
SDT-B1728-42SL-BL	CN67	Explosionproof Starline
SDT-B1728-42SL-L36	CN67	Explosionproof Starline
SDT-B1928-42SL-L48	CN67	Explosionproof Starline
SDT-D1028-42PL-TC	CN67	Explosionproof Starline
SDT-D1028-42PL-XX	CN67	Explosionproof Starline
SDU-B1528-30SL-TC	CN67	Explosionproof Starline
SDU-B1528-30SL-XX	CN67	Explosionproof Starline
SDU-B1528-31SL-TC	CN67	Explosionproof Starline
SDU-B1528-31SL-XX	CN67	Explosionproof Starline
SDU-B1728-30SL-BL	CN67	Explosionproof Starline
SDU-B1728-30SL-L36	CN67	Explosionproof Starline
SDU-B1728-31SL-BL	CN67	Explosionproof Starline
SDU-B1728-31SL-L36	CN67	Explosionproof Starline
SDU-B1928-30SL-L48	CN67	Explosionproof Starline
SDU-B1928-31SL-L48	CN67	Explosionproof Starline
SDU-D1028-30PL-TC	CN67	Explosionproof Starline
SDU-D1028-30PL-XX	CN67	Explosionproof Starline
SDU-D1028-31PL-TC	CN67	Explosionproof Starline
SDU-D1028-31PL-XX	CN67	Explosionproof Starline
SEV04-0001	L111, L113	EVOLUTION X
SEVX4-0001	L111, L113	EVOLUTION X
SEVX4-0002	L111, L113	EVOLUTION X
SEVX4-0003	L111, L113	EVOLUTION X
SF-B1516-612SL-XX	CN69	Explosionproof Starline
SF-B1516-621SL-XX	CN69	Explosionproof Starline
SF-B1516-633SL-XX	CN69	Explosionproof Starline
SF-B1516-640SL-XX	CN69	Explosionproof Starline
SF-B1516-655SL-XX	CN69	Explosionproof Starline
SF-B1516-676SL-XX	CN69	Explosionproof Starline
SF-B1516-677SL-XX	CN69	Explosionproof Starline
SF-B1516-681SL-XX	CN69	Explosionproof Starline
SF-B1520-613SL-XX	CN69	Explosionproof Starline
SF-B1520-632SL-XX	CN69	Explosionproof Starline
SF-B1520-650SL-XX	CN69	Explosionproof Starline
SF-B1520-676SL-XX	CN69	Explosionproof Starline
SF-B1520-686SL-XX	CN69	Explosionproof Starline
SF-B1520-687SL-XX	CN69	Explosionproof Starline
SF-B1520-688SL-XX	CN69	Explosionproof Starline
SF-B1524-613SL-XX	CN69	Explosionproof Starline
SF-B1716-612SL- FH	CN68	Explosionproof Starline
SF-B1716-612SL-L36	CN69	Explosionproof Starline
SF-B1716-621SL-L36	CN69	Explosionproof Starline
SF-B1716-633SL- FH	CN68	Explosionproof Starline
SF-B1716-633SL-L36	CN69	Explosionproof Starline
SF-B1716-640SL- FH	CN68	Explosionproof Starline

Part #	SEC./PG	PROD. GRP.
SF-B1716-640SL-L36	CN69	Explosionproof Starline
SF-B1716-655SL- FH	CN68	Explosionproof Starline
SF-B1716-655SL-L36	CN69	Explosionproof Starline
SF-B1716-676SL- FH	CN68	Explosionproof Starline
SF-B1716-676SL-L36	CN69	Explosionproof Starline
SF-B1716-677SL- FH	CN68	Explosionproof Starline
SF-B1716-677SL-L36	CN69	Explosionproof Starline
SF-B1716-681SL-FH	CN68	Explosionproof Starline
SF-B1716-681SL-L36	CN69	Explosionproof Starline
SF-B1720-613SL- FH	CN68	Explosionproof Starline
SF-B1720-613SL-L36	CN69	Explosionproof Starline
SF-B1720-632SL- FH	CN68	Explosionproof Starline
SF-B1720-632SL-L36	CN69	Explosionproof Starline
SF-B1720-650SL- FH	CN68	Explosionproof Starline
SF-B1720-650SL-L36	CN69	Explosionproof Starline
SF-B1720-676SL- FH	CN68	Explosionproof Starline
SF-B1720-676SL-L36	CN69	Explosionproof Starline
SF-B1720-686SL- FH	CN68	Explosionproof Starline
SF-B1720-686SL-L36	CN69	Explosionproof Starline
SF-B1720-687SL- FH	CN68	Explosionproof Starline
SF-B1720-687SL-L36	CN69	Explosionproof Starline
SF-B1720-688SL- FH	CN68	Explosionproof Starline
SF-B1720-688SL-L36	CN69	Explosionproof Starline
SF-B1724-613SL-BK	CN68	Explosionproof Starline
SF-B1724-613SL-L36	CN69	Explosionproof Starline
SF-B1916-612SL-L48	CN69	Explosionproof Starline
SF-B1916-621SL-L48	CN69	Explosionproof Starline
SF-B1916-633SL-L48	CN69	Explosionproof Starline
SF-B1916-640SL-L48	CN69	Explosionproof Starline
SF-B1916-655SL-L48	CN69	Explosionproof Starline
SF-B1916-676SL-L48	CN69	Explosionproof Starline
SF-B1916-677SL-L48	CN69	Explosionproof Starline
SF-B1916-681SL-L48	CN69	Explosionproof Starline
SF-B1920-613SL-L48	CN69	Explosionproof Starline
SF-B1920-632SL-L48	CN69	Explosionproof Starline
SF-B1920-650SL-L48	CN69	Explosionproof Starline
SF-B1920-676SL-L48	CN69	Explosionproof Starline
SF-B1920-686SL-L48	CN69	Explosionproof Starline
SF-B1920-687SL-L48	CN69	Explosionproof Starline
SF-B1920-688SL-L48	CN69	Explosionproof Starline
SF-B1924-613SL-L48	CN69	Explosionproof Starline
SF-D1016-612PL-TC	CN68	Explosionproof Starline
SF-D1016-612PL-XX	CN68	Explosionproof Starline
SF-D1016-621PL-TC	CN68	Explosionproof Starline
SF-D1016-621PL-XX	CN68	Explosionproof Starline
SF-D1016-633PL-TC	CN68	Explosionproof Starline

Part #	SEC./PG	PROD. GRP.
SF-D1016-633PL-XX	CN68	Explosionproof Starline
SF-D1016-640PL-TC	CN68	Explosionproof Starline
SF-D1016-640PL-XX	CN68	Explosionproof Starline
SF-D1016-655PL-TC	CN68	Explosionproof Starline
SF-D1016-655PL-XX	CN68	Explosionproof Starline
SF-D1016-676PL-TC	CN68	Explosionproof Starline
SF-D1016-676PL-XX	CN68	Explosionproof Starline
SF-D1016-677PL-TC	CN68	Explosionproof Starline
SF-D1016-677PL-XX	CN68	Explosionproof Starline
SF-D1016-681PL-TC	CN68	Explosionproof Starline
SF-D1016-681PL-XX	CN68	Explosionproof Starline
SF-D1020-613PL-TC	CN68	Explosionproof Starline
SF-D1020-613PL-XX	CN68	Explosionproof Starline
SF-D1020-632PL-TC	CN68	Explosionproof Starline
SF-D1020-632PL-XX	CN68	Explosionproof Starline
SF-D1020-650PL-TC	CN68	Explosionproof Starline
SF-D1020-650PL-XX	CN68	Explosionproof Starline
SF-D1020-676PL-TC	CN68	Explosionproof Starline
SF-D1020-676PL-XX	CN68	Explosionproof Starline
SF-D1020-686PL-TC	CN68	Explosionproof Starline
SF-D1020-686PL-XX	CN68	Explosionproof Starline
SF-D1020-687PL-TC	CN68	Explosionproof Starline
SF-D1020-687PL-XX	CN68	Explosionproof Starline
SF-D1020-688PL-TC	CN68	Explosionproof Starline
SF-D1020-688PL-XX	CN68	Explosionproof Starline
SF-D1024-613PL-TC	CN68	Explosionproof Starline
SF-D1024-613PL-XX	CN68	Explosionproof Starline
SGE-C11L	C94	GZ Series
SGE-CLP001	C94	GZ Series
SGE-CLP101	C94	GZ Series
SGE-CLP110	C94	GZ Series
SGE-E101SG	C93	GZ Series
SGE-E102S	C93	GZ Series
SGE-E102SG	C93	GZ Series
SGE-E110SG	C93	GZ Series
SGE-E111S	C93	GZ Series
SGE-E111SG	C93	GZ Series
SGE-E120S	C93	GZ Series
SGE-E120SG	C93	GZ Series
SGE-GIN1220	C93	GZ Series
SGE-GIN2220	C93	GZ Series
SGE-GRC1320SJ	C93	GZ Series
SGE-GRC2320SJ	C93	GZ Series
SGE-GRID1320SJ	C93	GZ Series
SGE-GRIE1320SJ	C93	GZ Series
SGE-GRP1320SJ	C93	GZ Series

INTRODUCTION NUMERIC INDEX

Part #..... SEC./PG PROD. GRP.

SGE-GRS1220SJ	C93	GZ Series
SGE-GRS2220SJ	C93	GZ Series
SGE-GRSE1220SJ	C93	GZ Series
SGE-L001SG	C94	GZ Series
SGE-LC240SG	C94	GZ Series
SGE-LC480SG	C94	GZ Series
SGE-LEDLAM01	C95	GZ Series
SGE-LEDLAM02	C95	GZ Series
SGE-LEDLAM03	C95	GZ Series
SGE-LEDLAZ01	C95	GZ Series
SGE-LEDLAZ02	C95	GZ Series
SGE-LEDLAZ03	C95	GZ Series
SGE-LEDLBR01	C95	GZ Series
SGE-LEDLBR02	C95	GZ Series
SGE-LEDLBR03	C95	GZ Series
SGE-LEDLVD01	C95	GZ Series
SGE-LEDLVD02	C95	GZ Series
SGE-LEDLVD03	C95	GZ Series
SGE-LEDLVM01	C95	GZ Series
SGE-LEDLVM02	C95	GZ Series
SGE-LEDLVM03	C95	GZ Series
SGE-LEDXAM01	C95	GZ Series
SGE-LEDXAM02	C95	GZ Series
SGE-LEDXAM03	C95	GZ Series
SGE-LEDXAM04	C95	GZ Series
SGE-LEDXAZ01	C95	GZ Series
SGE-LEDXAZ02	C95	GZ Series
SGE-LEDXAZ03	C95	GZ Series
SGE-LEDXAZ04	C95	GZ Series
SGE-LEDXBR01	C95	GZ Series
SGE-LEDXBR02	C95	GZ Series
SGE-LEDXBR03	C95	GZ Series
SGE-LEDXBR04	C95	GZ Series
SGE-LEDXVD01	C95	GZ Series
SGE-LEDXVD02	C95	GZ Series
SGE-LEDXVD03	C95	GZ Series
SGE-LEDXVD04	C95	GZ Series
SGE-LEDXVM01	C95	GZ Series
SGE-LEDXVM02	C95	GZ Series
SGE-LEDXVM03	C95	GZ Series
SGE-LEDXVM04	C95	GZ Series
SGE-LEDYAM01	C95	GZ Series
SGE-LEDYAM02	C95	GZ Series
SGE-LEDYAM03	C95	GZ Series
SGE-LEDYAM04	C95	GZ Series
SGE-LEDYAZ01	C95	GZ Series

Part #..... SEC./PG PROD. GRP.

SGE-LEDYAZ02	C95	GZ Series
SGE-LEDYAZ03	C95	GZ Series
SGE-LEDYAZ04	C95	GZ Series
SGE-LEDYBR01	C95	GZ Series
SGE-LEDYBR02	C95	GZ Series
SGE-LEDYBR03	C95	GZ Series
SGE-LEDYBR04	C95	GZ Series
SGE-LEDYVD01	C95	GZ Series
SGE-LEDYVD02	C95	GZ Series
SGE-LEDYVD03	C95	GZ Series
SGE-LEDYVD04	C95	GZ Series
SGE-LEDYVM01	C95	GZ Series
SGE-LEDYVM02	C95	GZ Series
SGE-LEDYVM03	C95	GZ Series
SGE-LEDYVM04	C95	GZ Series
SGE-LEDZAM01	C95	GZ Series
SGE-LEDZAM02	C95	GZ Series
SGE-LEDZAM03	C95	GZ Series
SGE-LEDZAM04	C95	GZ Series
SGE-LEDZAZ01	C95	GZ Series
SGE-LEDZAZ02	C95	GZ Series
SGE-LEDZAZ03	C95	GZ Series
SGE-LEDZAZ04	C95	GZ Series
SGE-LEDZBR01	C95	GZ Series
SGE-LEDZBR02	C95	GZ Series
SGE-LEDZBR03	C95	GZ Series
SGE-LEDZBR04	C95	GZ Series
SGE-LEDZVD01	C95	GZ Series
SGE-LEDZVD02	C95	GZ Series
SGE-LEDZVD03	C95	GZ Series
SGE-LEDZVD04	C95	GZ Series
SGE-LEDZVM01	C95	GZ Series
SGE-LEDZVM02	C95	GZ Series
SGE-LEDZVM03	C95	GZ Series
SGE-LEDZVM04	C95	GZ Series
SHDL1-000002	L115	HDL106N
SHDL1-000003	L115	HDL106N
SJIC1010P	E8, E10	SJIC, SJICH Series
SJIC1210P	E8, E10	SJIC, SJICH Series
SJIC1212P	E8, E10	SJIC, SJICH Series
SJIC1412P	E8, E10	SJIC, SJICH Series
SJIC1614P	E8, E10	SJIC, SJICH Series
SJIC6040404	E20	SJIC Series
SJIC6040404A14	E20	SJIC Series
SJIC6040404-JB	E8	SJIC Series
SJIC6060404	E20	SJIC Series

Part #..... SEC./PG PROD. GRP.

SJIC6060404-JB	E8	SJIC Series
SJIC6060604	E20	SJIC Series
SJIC6060604A14	E20	SJIC Series
SJIC6060604-JB	E8	SJIC Series
SJIC6060606	E20	SJIC Series
SJIC6060606-JB	E8	SJIC Series
SJIC6080606	E20	SJIC Series
SJIC6080606-JB	E8	SJIC Series
SJIC6080804	E20	SJIC Series
SJIC6080804-JB	E8	SJIC Series
SJIC6080806	E20	SJIC Series
SJIC6080806-JB	E8	SJIC Series
SJIC6100804	E20	SJIC Series
SJIC6100804-JB	E8	SJIC Series
SJIC6100806	E20	SJIC Series
SJIC6100806A14	E20	SJIC Series
SJIC6100806-JB	E8	SJIC Series
SJIC6101006	E20	SJIC Series
SJIC6101006A24	E20	SJIC Series
SJIC6101006-JB	E8	SJIC Series
SJIC6121005	E20	SJIC Series
SJIC6121005-JB	E8	SJIC Series
SJIC6121006	E20	SJIC Series
SJIC6121006-JB	E8	SJIC Series
SJIC6121206	E20	SJIC Series
SJIC6121206A24	E20	SJIC Series
SJIC6121206-JB	E8	SJIC Series
SJIC6141206	E20	SJIC Series
SJIC6141206-JB	E8	SJIC Series
SJIC6161406	E20	SJIC Series
SJIC6161406-JB	E8	SJIC Series
SJIC6-GP0404	E26	USF/SJIC(H) Series
SJIC6-GP0604	E26	USF/SJIC(H) Series
SJIC6-GP0606	E26	USF/SJIC(H) Series
SJIC6-GP0804	E26	USF/SJIC(H) Series
SJIC6-GP0806	E26	USF/SJIC(H) Series
SJIC6-GP1004	E26	USF/SJIC(H) Series
SJIC6-GP1005	E26	USF/SJIC(H) Series
SJIC6-GP1006	E26	USF/SJIC(H) Series
SJIC6-GP1206	E26	USF/SJIC(H) Series
SJIC6-GP1406	E26	USF/SJIC(H) Series
SJIC6-CVGRD	E28	USF/SJIC(H) Series
SJIC-EXTGRD	E28	USF/SJIC(H) Series
SJIC-GB10N10-17	E27	USF/SJIC(H) Series
SJIC-GB10N4-26	E27	USF/SJIC(H) Series
SJIC-GB12N10-23	E27	USF/SJIC(H) Series

NUMERIC INDEX

Part #	SEC./PG	PROD. GRP.
SJIC-GB12N4-36	E27	USF/SJIC(H) Series
SJIC-GB14N10-30	E27	USF/SJIC(H) Series
SJIC-GB14N4-45	E27	USF/SJIC(H) Series
SJICH6080606	E20, E21	SJIC, SJICH Series
SJICH6080606-JB	E10	SJICH Series
SJICH6080804	E20, E21	SJIC, SJICH Series
SJICH6080804-JB	E10	SJICH Series
SJICH6080806	E20, E21	SJIC, SJICH Series
SJICH6080806-JB	E10	SJICH Series
SJICH6100804	E20, E21	SJIC, SJICH Series
SJICH6100804-JB	E10	SJICH Series
SJICH6100806	E20, E21	SJIC, SJICH Series
SJICH6100806-JB	E10	SJICH Series
SJICH6101006	E20, E21	SJIC, SJICH Series
SJICH6101006-JB	E10	SJICH Series
SJICH6121005	E20, E21	SJIC, SJICH Series
SJICH6121005-JB	E10	SJICH Series
SJICH6121006	E20, E21	SJIC, SJICH Series
SJICH6121006-JB	E10	SJICH Series
SJICH6121206	E20, E21	SJIC, SJICH Series
SJICH6121206-JB	E10	SJICH Series
SJICH6141206	E20, E21	SJIC, SJICH Series
SJICH6141206-JB	E10	SJICH Series
SJICH6161406	E20, E21	SJIC, SJICH Series
SJICH6161406-JB	E10	SJICH Series
SJICH-CS-080606	C34	USF-CS / SJICH-CS Series
SJICH-CS-080806	C34	USF-CS / SJICH-CS Series
SJICH-CS-100806	C34	USF-CS / SJICH-CS Series
SJICH-CS-101006	C34	USF-CS / SJICH-CS Series
SJICH-CS-121006	C34	USF-CS / SJICH-CS Series
SJICH-CS-121206	C34	USF-CS / SJICH-CS Series
SJICH-CS-141206	C34	USF-CS / SJICH-CS Series
SJICH-CS-161406	C34	USF-CS / SJICH-CS Series
SJIC-INTGRD	E28	USF/SJIC(H) Series
SL-535-AL	CN102, CN110	RMPIII, HP20 Series
SL-646-AL	CN102, CN110	RMPIII, HP20 Series
SL-777-AL	CN102, CN110	RMPIII, HP20 Series
SLB-1	F67	SLB/SLBM/SOLB/MLB Series
SLB-1-CP	F21	K-PAK
SLB-2	F67	SLB/SLBM/SOLB/MLB Series

Part #	SEC./PG	PROD. GRP.
SLB-2-CP	F21	K-PAK
SLB-3	F67	SLB/SLBM/SOLB/MLB Series
SLB-3-CP	F21	K-PAK
SLB-4	F67	SLB/SLBM/SOLB/MLB Series
SLB-5	F67	SLB/SLBM/SOLB/MLB Series
SLB-6	F67	SLB/SLBM/SOLB/MLB Series
SLB-7	F67	SLB/SLBM/SOLB/MLB Series
SLBM-4	F67	SLB/SLBM/SOLB/MLB Series
SLBM-6	F67	SLB/SLBM/SOLB/MLB Series
SM-B-BK	CN114	SECURE MOUNT Series
SM-B-BL	CN114	SECURE MOUNT Series
SM-B-BR	CN114	SECURE MOUNT Series
SM-B-G	CN114	SECURE MOUNT Series
SM-B-GY	CN114	SECURE MOUNT Series
SM-BNC-BK	CN114	SECURE MOUNT Series
SM-BNC-BL	CN114	SECURE MOUNT Series
SM-BNC-BR	CN114	SECURE MOUNT Series
SM-BNC-G	CN114	SECURE MOUNT Series
SM-BNC-GY	CN114	SECURE MOUNT Series
SM-BNC-OR	CN114	SECURE MOUNT Series
SM-BNC-P	CN114	SECURE MOUNT Series
SM-BNC-R	CN114	SECURE MOUNT Series
SM-BNC-W	CN114	SECURE MOUNT Series
SM-BNC-Y	CN114	SECURE MOUNT Series
SM-B-OR	CN114	SECURE MOUNT Series
SM-B-P	CN114	SECURE MOUNT Series
SM-B-R	CN114	SECURE MOUNT Series
SM-B-W	CN114	SECURE MOUNT Series
SM-B-Y	CN114	SECURE MOUNT Series
SM-R1-N3-BK	CN113	SECURE MOUNT Series
SM-R1-N3-BL	CN113	SECURE MOUNT Series
SM-R1-N3-BR	CN113	SECURE MOUNT Series
SM-R1-N3-G	CN113	SECURE MOUNT Series
SM-R1-N3-GY	CN113	SECURE MOUNT Series
SM-R1-N3-OR	CN113	SECURE MOUNT Series
SM-R1-N3-P	CN113	SECURE MOUNT Series
SM-R1-N3-R	CN113	SECURE MOUNT Series
SM-R1-N3-W	CN113	SECURE MOUNT Series
SM-R1-N3-Y	CN113	SECURE MOUNT Series
SM-R1-N4-BK	CN113	SECURE MOUNT Series
SM-R1-N4-BL	CN113	SECURE MOUNT Series
SM-R1-N4-BR	CN113	SECURE MOUNT Series

Part #	SEC./PG	PROD. GRP.
SM-R1-N4-G	CN113	SECURE MOUNT Series
SM-R1-N4-GY	CN113	SECURE MOUNT Series
SM-R1-N4-OR	CN113	SECURE MOUNT Series
SM-R1-N4-P	CN113	SECURE MOUNT Series
SM-R1-N4-R	CN113	SECURE MOUNT Series
SM-R1-N4-W	CN113	SECURE MOUNT Series
SM-R1-N4-Y	CN113	SECURE MOUNT Series
SM-R1-N5-BK	CN113	SECURE MOUNT Series
SM-R1-N5-BL	CN113	SECURE MOUNT Series
SM-R1-N5-BR	CN113	SECURE MOUNT Series
SM-R1-N5-G	CN113	SECURE MOUNT Series
SM-R1-N5-GY	CN113	SECURE MOUNT Series
SM-R1-N5-OR	CN113	SECURE MOUNT Series
SM-R1-N5-P	CN113	SECURE MOUNT Series
SM-R1-N5-R	CN113	SECURE MOUNT Series
SM-R1-N5-W	CN113	SECURE MOUNT Series
SM-R1-N5-Y	CN113	SECURE MOUNT Series
SM-R1-N6-BK	CN113	SECURE MOUNT Series
SM-R1-N6-BL	CN113	SECURE MOUNT Series
SM-R1-N6-BR	CN113	SECURE MOUNT Series
SM-R1-N6-G	CN113	SECURE MOUNT Series
SM-R1-N6-GY	CN113	SECURE MOUNT Series
SM-R1-N6-OR	CN113	SECURE MOUNT Series
SM-R1-N6-P	CN113	SECURE MOUNT Series
SM-R1-N6-R	CN113	SECURE MOUNT Series
SM-R1-N6-W	CN113	SECURE MOUNT Series
SM-R1-N6-Y	CN113	SECURE MOUNT Series
SM-R1-N7-BK	CN113	SECURE MOUNT Series
SM-R1-N7-BL	CN113	SECURE MOUNT Series
SM-R1-N7-BR	CN113	SECURE MOUNT Series
SM-R1-N7-G	CN113	SECURE MOUNT Series
SM-R1-N7-GY	CN113	SECURE MOUNT Series
SM-R1-N7-OR	CN113	SECURE MOUNT Series
SM-R1-N7-P	CN113	SECURE MOUNT Series
SM-R1-N7-R	CN113	SECURE MOUNT Series
SM-R1-N7-W	CN113	SECURE MOUNT Series
SM-R1-N7-Y	CN113	SECURE MOUNT Series
SM-R1-N-BK	CN114	SECURE MOUNT Series
SM-R1-N-BL	CN114	SECURE MOUNT Series
SM-R1-N-BR	CN114	SECURE MOUNT Series
SM-R1-N-G	CN114	SECURE MOUNT Series
SM-R1-N-GY	CN114	SECURE MOUNT Series
SM-R1-N-OR	CN114	SECURE MOUNT Series
SM-R1-N-P	CN114	SECURE MOUNT Series
SM-R1-N-R	CN114	SECURE MOUNT Series
SM-R1-N-W	CN114	SECURE MOUNT Series

INTRODUCTION NUMERIC INDEX

Part #	SEC./PG	PROD. GRP.
SM-R1-N-Y	CN114	SECURE MOUNT Series
SM-R2-N3-BK	CN113	SECURE MOUNT Series
SM-R2-N3-BL	CN113	SECURE MOUNT Series
SM-R2-N3-BR	CN113	SECURE MOUNT Series
SM-R2-N3-G	CN113	SECURE MOUNT Series
SM-R2-N3-GY	CN113	SECURE MOUNT Series
SM-R2-N3-OR	CN113	SECURE MOUNT Series
SM-R2-N3-P	CN113	SECURE MOUNT Series
SM-R2-N3-R	CN113	SECURE MOUNT Series
SM-R2-N3-W	CN113	SECURE MOUNT Series
SM-R2-N3-Y	CN113	SECURE MOUNT Series
SM-R2-N4-BK	CN113	SECURE MOUNT Series
SM-R2-N4-BL	CN113	SECURE MOUNT Series
SM-R2-N4-BR	CN113	SECURE MOUNT Series
SM-R2-N4-G	CN113	SECURE MOUNT Series
SM-R2-N4-GY	CN113	SECURE MOUNT Series
SM-R2-N4-OR	CN113	SECURE MOUNT Series
SM-R2-N4-P	CN113	SECURE MOUNT Series
SM-R2-N4-R	CN113	SECURE MOUNT Series
SM-R2-N4-W	CN113	SECURE MOUNT Series
SM-R2-N4-Y	CN113	SECURE MOUNT Series
SM-R2-N5-BK	CN113	SECURE MOUNT Series
SM-R2-N5-BL	CN113	SECURE MOUNT Series
SM-R2-N5-BR	CN113	SECURE MOUNT Series
SM-R2-N5-G	CN113	SECURE MOUNT Series
SM-R2-N5-GY	CN113	SECURE MOUNT Series
SM-R2-N5-OR	CN113	SECURE MOUNT Series
SM-R2-N5-P	CN113	SECURE MOUNT Series
SM-R2-N5-R	CN113	SECURE MOUNT Series
SM-R2-N5-W	CN113	SECURE MOUNT Series
SM-R2-N5-Y	CN113	SECURE MOUNT Series
SM-R2-N6-BK	CN113	SECURE MOUNT Series
SM-R2-N6-BL	CN113	SECURE MOUNT Series
SM-R2-N6-BR	CN113	SECURE MOUNT Series
SM-R2-N6-G	CN113	SECURE MOUNT Series
SM-R2-N6-GY	CN113	SECURE MOUNT Series
SM-R2-N6-OR	CN113	SECURE MOUNT Series
SM-R2-N6-P	CN113	SECURE MOUNT Series
SM-R2-N6-R	CN113	SECURE MOUNT Series
SM-R2-N6-W	CN113	SECURE MOUNT Series
SM-R2-N6-Y	CN113	SECURE MOUNT Series
SM-R2-N7-BK	CN113	SECURE MOUNT Series
SM-R2-N7-BL	CN113	SECURE MOUNT Series
SM-R2-N7-BR	CN113	SECURE MOUNT Series
SM-R2-N7-G	CN113	SECURE MOUNT Series
SM-R2-N7-GY	CN113	SECURE MOUNT Series

Part #	SEC./PG	PROD. GRP.
SM-R2-N7-OR	CN113	SECURE MOUNT Series
SM-R2-N7-P	CN113	SECURE MOUNT Series
SM-R2-N7-R	CN113	SECURE MOUNT Series
SM-R2-N7-W	CN113	SECURE MOUNT Series
SM-R2-N7-Y	CN113	SECURE MOUNT Series
SM-R2-N-BK	CN114	SECURE MOUNT Series
SM-R2-N-BL	CN114	SECURE MOUNT Series
SM-R2-N-BR	CN114	SECURE MOUNT Series
SM-R2-N-G	CN114	SECURE MOUNT Series
SM-R2-N-GY	CN114	SECURE MOUNT Series
SM-R2-N-OR	CN114	SECURE MOUNT Series
SM-R2-N-P	CN114	SECURE MOUNT Series
SM-R2-N-R	CN114	SECURE MOUNT Series
SM-R2-N-W	CN114	SECURE MOUNT Series
SM-R2-N-Y	CN114	SECURE MOUNT Series
SM-SBA-3-BK	CN114	SECURE MOUNT Series
SM-SBA-3-BL	CN114	SECURE MOUNT Series
SM-SBA-3-BR	CN114	SECURE MOUNT Series
SM-SBA-3-G	CN114	SECURE MOUNT Series
SM-SBA-3-GY	CN114	SECURE MOUNT Series
SM-SBA-3-OR	CN114	SECURE MOUNT Series
SM-SBA-3-P	CN114	SECURE MOUNT Series
SM-SBA-3-R	CN114	SECURE MOUNT Series
SM-SBA-3-W	CN114	SECURE MOUNT Series
SM-SBA-3-Y	CN114	SECURE MOUNT Series
SM-SBA-4-BK	CN114	SECURE MOUNT Series
SM-SBA-4-BL	CN114	SECURE MOUNT Series
SM-SBA-4-BR	CN114	SECURE MOUNT Series
SM-SBA-4-G	CN114	SECURE MOUNT Series
SM-SBA-4-GY	CN114	SECURE MOUNT Series
SM-SBA-4-OR	CN114	SECURE MOUNT Series
SM-SBA-4-P	CN114	SECURE MOUNT Series
SM-SBA-4-R	CN114	SECURE MOUNT Series
SM-SBA-4-W	CN114	SECURE MOUNT Series
SM-SBA-4-Y	CN114	SECURE MOUNT Series
SM-SBA-5-BK	CN114	SECURE MOUNT Series
SM-SBA-5-BL	CN114	SECURE MOUNT Series
SM-SBA-5-BR	CN114	SECURE MOUNT Series
SM-SBA-5-G	CN114	SECURE MOUNT Series
SM-SBA-5-GY	CN114	SECURE MOUNT Series
SM-SBA-5-OR	CN114	SECURE MOUNT Series
SM-SBA-5-P	CN114	SECURE MOUNT Series
SM-SBA-5-R	CN114	SECURE MOUNT Series
SM-SBA-5-W	CN114	SECURE MOUNT Series
SM-SBA-5-Y	CN114	SECURE MOUNT Series
SM-SBA-6-BK	CN114	SECURE MOUNT Series

Part #	SEC./PG	PROD. GRP.
SM-SBA-6-BL	CN114	SECURE MOUNT Series
SM-SBA-6-BR	CN114	SECURE MOUNT Series
SM-SBA-6-G	CN114	SECURE MOUNT Series
SM-SBA-6-GY	CN114	SECURE MOUNT Series
SM-SBA-6-OR	CN114	SECURE MOUNT Series
SM-SBA-6-P	CN114	SECURE MOUNT Series
SM-SBA-6-R	CN114	SECURE MOUNT Series
SM-SBA-6-W	CN114	SECURE MOUNT Series
SM-SBA-6-Y	CN114	SECURE MOUNT Series
SM-SBA-7-BK	CN114	SECURE MOUNT Series
SM-SBA-7-BL	CN114	SECURE MOUNT Series
SM-SBA-7-BR	CN114	SECURE MOUNT Series
SM-SBA-7-G	CN114	SECURE MOUNT Series
SM-SBA-7-GY	CN114	SECURE MOUNT Series
SM-SBA-7-OR	CN114	SECURE MOUNT Series
SM-SBA-7-P	CN114	SECURE MOUNT Series
SM-SBA-7-R	CN114	SECURE MOUNT Series
SM-SBA-7-W	CN114	SECURE MOUNT Series
SM-SBA-7-Y	CN114	SECURE MOUNT Series
SM-SC-313	CN114	SECURE MOUNT Series
SM-SC-313-R	CN114	SECURE MOUNT Series
SM-SC-444	CN114	SECURE MOUNT Series
SM-SC-444-R	CN114	SECURE MOUNT Series
SM-SC-535	CN114	SECURE MOUNT Series
SM-SC-535-R	CN114	SECURE MOUNT Series
SM-SC-646	CN114	SECURE MOUNT Series
SM-SC-646-R	CN114	SECURE MOUNT Series
SM-SC-777	CN114	SECURE MOUNT Series
SM-SC-777-R	CN114	SECURE MOUNT Series
SOLB-0	F67	SLB/SLBM/SOLB/MLB Series
SOLB-8	F67	SLB/SLBM/SOLB/MLB Series
SOLB-9	F67	SLB/SLBM/SOLB/MLB Series
SPARTAN-CRT	F101	SPARTAN POLE
SPOL4-100001	L124, L127	PROTECTA X
SPOL4-100002	L124, L127	PROTECTA X
SPOL4-100003	L124, L127	PROTECTA X
SPRO4-0002	L124, L127	PROTECTA X
SPRO4-0005	L124, L127	PROTECTA X
SPRO4-0006	L124, L127	PROTECTA X
SPRO5-0005	L124, L127	PROTECTA X
SPRO5-0006	L124, L127	PROTECTA X
SSC01-000009	L42	Floodlight Accessories
STFB-0	F70	FB/STFB Series
STFB-2	F70	FB/STFB Series
STFB-3	F70	FB/STFB Series

NUMERIC INDEX

Part #	SEC./PG	PROD. GRP.
STFB-4	F70	FB/STFB Series
STFB-5	F70	FB/STFB Series
STFB-6	F70	FB/STFB Series
STFB-7	F70	FB/STFB Series
STFB-8	F70	FB/STFB Series
SU-10B-4X	DE7, DE23	B7C, B7L Series
SU-11B-4X	DE7, DE23	B7C, B7L Series
SU-3B-4X	DE7, DE23	B7C, B7L Series
SWB-1	C61, CN55-CN56	SWB, KR Series
SWB-10	C61, CN55	SWB, KR Series
SWB-11	C61, CN55	SWB, KR Series
SWB-12	C61, CN55	SWB, KR Series
SWB-13	C61	SWB Series
SWB-14	C61	SWB Series
SWB-17	C61	SWB Series
SWB-18	C61	SWB Series
SWB-19	C61	SWB Series
SWB-2	C61, CN55-CN56	SWB, KR Series
SWB-20	C61	SWB Series
SWB-21	C61	SWB Series
SWB-3	C61, CN55-CN56	SWB, KR Series
SWB-32	C61	SWB Series
SWB-33	C61	SWB Series
SWB-34	C61	SWB Series
SWB-38	C61	SWB Series
SWB-4	C61, CN55-CN56	SWB, KR Series
SWB-42	C61	SWB Series
SWB-45	C61	SWB Series
SWB-48	C61	SWB Series
SWB-49	C61	SWB Series
SWB-5	C61, CN55-CN56	SWB, KR Series
SWB-6	C61, CN55-CN56	SWB, KR Series
SWB-7	C61, CN55	SWB, KR Series
SWB-8	C61, CN55	SWB, KR Series
SWB-9	C61, CN55	SWB, KR Series
SWBC-13	C105	GCS/SWBC Series
SWBC-14	C105	GCS/SWBC Series
SWBC-15	C105	GCS/SWBC Series
SWBC-16	C105	GCS/SWBC Series
SWBC-83	C105	GCS/SWBC Series
SWZ60-050NPT	F195	SWZ/LNZ/ZHLN Series
SWZ60-075NPT	F195	SWZ/LNZ/ZHLN Series
SWZ60-100NPT	F195	SWZ/LNZ/ZHLN Series
SWZ60-125NPT	F195	SWZ/LNZ/ZHLN Series
SWZ60-150NPT	F195	SWZ/LNZ/ZHLN Series
SWZ60-200NPT	F195	SWZ/LNZ/ZHLN Series

Part #	SEC./PG	PROD. GRP.
SWZ60-250NPT	F195	SWZ/LNZ/ZHLN Series
SWZ60-300NPT	F195	SWZ/LNZ/ZHLN Series
SWZ60-350NPT	F195	SWZ/LNZ/ZHLN Series
T-101-16A	CN74	Explosionproof Starline
T-101-20A	CN74	Explosionproof Starline
T-101-24A	CN74	Explosionproof Starline
T-101-28A	CN74	Explosionproof Starline
T-102-16R	CN74	Explosionproof Starline
T-102-20R	CN74	Explosionproof Starline
T-102-24R	CN74	Explosionproof Starline
T-102-28R	CN74	Explosionproof Starline
T-104-CT-K	CN74	Explosionproof Starline
T-105-HE	CN74	Explosionproof Starline
T-106-10	CN74	Explosionproof Starline
T-106-12	CN74	Explosionproof Starline
T-106-16	CN74	Explosionproof Starline
T-106-18	CN74	Explosionproof Starline
T107	F14	DURALOY 7 Series
T107SA	F14	DURALOY 7 Series
T17	F14	DURALOY 7 Series
T17SA	F14	DURALOY 7 Series
T18	F25	DURALOY 8 Series
T27	F14	DURALOY 7 Series
T27SA	F14	DURALOY 7 Series
T28	F25	DURALOY 8 Series
T28SS	F36	Stainless Steel Conduit Bodies
T37	F14	DURALOY 7 Series
T37SA	F14	DURALOY 7 Series
T38	F25	DURALOY 8 Series
T38SS	F36	Stainless Steel Conduit Bodies
T448	F25	DURALOY 8 Series
T47	F14	DURALOY 7 Series
T47SA	F14	DURALOY 7 Series
T57	F14	DURALOY 7 Series
T57SA	F14	DURALOY 7 Series
T58	F25	DURALOY 8 Series
T58SS	F36	Stainless Steel Conduit Bodies
T67	F14	DURALOY 7 Series
T67SA	F14	DURALOY 7 Series
T68	F25	DURALOY 8 Series
T68SS	F36	Stainless Steel Conduit Bodies
T77	F14	DURALOY 7 Series
T77SA	F14	DURALOY 7 Series
T78	F25	DURALOY 8 Series

Part #	SEC./PG	PROD. GRP.
T87	F14	DURALOY 7 Series
T87SA	F14	DURALOY 7 Series
T88	F25	DURALOY 8 Series
T97	F14	DURALOY 7 Series
T97SA	F14	DURALOY 7 Series
TA17	F15	DURALOY 7 Series
TA17SA	F15	DURALOY 7 Series
TA27	F15	DURALOY 7 Series
TA27SA	F15	DURALOY 7 Series
TA37	F15	DURALOY 7 Series
TA37SA	F15	DURALOY 7 Series
TA47	F15	DURALOY 7 Series
TA47SA	F15	DURALOY 7 Series
TA57	F15	DURALOY 7 Series
TA57SA	F15	DURALOY 7 Series
TA67	F15	DURALOY 7 Series
TA67SA	F15	DURALOY 7 Series
TAF-100	F59	TAF Series
TAF-125	F59	TAF Series
TAF-150	F59	TAF Series
TAF-200	F59	TAF Series
TAF-250	F59	TAF Series
TAF-300	F59	TAF Series
TAF-350	F59	TAF Series
TAF-400	F59	TAF Series
TAF-50	F59	TAF Series
TAF-75	F59	TAF Series
TB17	F15	DURALOY 7 Series
TB17SA	F15	DURALOY 7 Series
TB18	F26	DURALOY 8 Series
TB27	F15	DURALOY 7 Series
TB27SA	F15	DURALOY 7 Series
TB28	F26	DURALOY 8 Series
TB28SS	F36	Stainless Steel Conduit Bodies
TB37	F15	DURALOY 7 Series
TB37SA	F15	DURALOY 7 Series
TB38	F26	DURALOY 8 Series
TB38SS	F36	Stainless Steel Conduit Bodies
TB448	F26	DURALOY 8 Series
TB47	F15	DURALOY 7 Series
TB47SA	F15	DURALOY 7 Series
TB57	F15	DURALOY 7 Series
TB57SA	F15	DURALOY 7 Series
TB58	F26	DURALOY 8 Series
TB58SS	F36	Stainless Steel Conduit Bodies

INTRODUCTION NUMERIC INDEX

Part #	SEC./PG	PROD. GRP.
TB67	F15	DURALOY 7 Series
TB67SA	F15	DURALOY 7 Series
TB68	F26	DURALOY 8 Series
TB68SS	F36	Stainless Steel Conduit Bodies
TET07575SS	F39	TET Series
TET100100SS	F39	TET Series
TET150150SS	F39	TET Series
TET15075A	F39	TET Series
TET15075ABD	F39	TET Series
TET15075AD	F39	TET Series
TET15075SS	F39	TET Series
TWOC-0CG	F29	CO & TW Series
TWOC-7CG	F29	CO & TW Series
TWOC-8CG	F29	CO & TW Series
TWOC-9CG	F29	CO & TW Series
TWOLB-0CG	F29	CO & TW Series
TWOLB-7CG	F29	CO & TW Series
TWOLB-8CG	F29	CO & TW Series
TWOLB-9CG	F29	CO & TW Series
TWOLL-0CG	F30	CO & TW Series
TWOLL-7CG	F30	CO & TW Series
TWOLL-8CG	F30	CO & TW Series
TWOLL-9CG	F30	CO & TW Series
TWOLR-0CG	F30	CO & TW Series
TWOLR-7CG	F30	CO & TW Series
TWOLR-8CG	F30	CO & TW Series
TWOLR-9CG	F30	CO & TW Series
TWOT-0CG	F31	CO & TW Series
TWOT-7CG	F31	CO & TW Series
TWOT-8CG	F31	CO & TW Series
TWOT-9CG	F31	CO & TW Series
UGFI152AD	CN37	ACCEPTOR Series
UGFI152C1	CN37	ACCEPTOR Series
UGFI152C2	CN37	ACCEPTOR Series
UGFI152C3	CN37	ACCEPTOR Series
UGFI15AD	CN37	ACCEPTOR Series
UGFI15C1	CN37	ACCEPTOR Series
UGFI15C2	CN37	ACCEPTOR Series
UGFI15C3	CN37	ACCEPTOR Series
UGFI202AD	CN37	ACCEPTOR Series
UGFI202C1	CN37	ACCEPTOR Series
UGFI202C2	CN37	ACCEPTOR Series
UGFI202C3	CN37	ACCEPTOR Series
UGFI20AD	CN37	ACCEPTOR Series
UGFI20C1	CN37	ACCEPTOR Series
UGFI20C2	CN37	ACCEPTOR Series

Part #	SEC./PG	PROD. GRP.
UGFI20C3	CN37	ACCEPTOR Series
UGP-15231QW	CN23, CN29, CN31, CN33	ACCEPTOR Series
UGP-15232QW	CN23, CN29, CN31, CN33	ACCEPTOR Series
UGP-20231QW	CN23, CN29, CN31, CN33	ACCEPTOR Series
UGP-20232QW	CN23, CN29, CN31, CN33	ACCEPTOR Series
UGR0-20231QW	CN27	ACCEPTOR Series
UGR0-20232QW	CN27	ACCEPTOR Series
UGR0C-15231QW	CN27	ACCEPTOR Series
UGR0C-15232QW	CN27	ACCEPTOR Series
UGR10-20231QW	CN27	ACCEPTOR Series
UGR10-20232QW	CN27	ACCEPTOR Series
UGR10C-15231QW	CN27	ACCEPTOR Series
UGR10C-15232QW	CN27	ACCEPTOR Series
UGR11-20231QW	CN27	ACCEPTOR Series
UGR11-20232QW	CN27	ACCEPTOR Series
UGR11C-15231QW	CN27	ACCEPTOR Series
UGR11C-15232QW	CN27	ACCEPTOR Series
UGR1-20231QW	CN27	ACCEPTOR Series
UGR1-20232QW	CN27	ACCEPTOR Series
UGR12-20231QW	CN27	ACCEPTOR Series
UGR12-20232QW	CN27	ACCEPTOR Series
UGR12C-15231QW	CN27	ACCEPTOR Series
UGR12C-15232QW	CN27	ACCEPTOR Series
UGR1C-15231QW	CN27	ACCEPTOR Series
UGR1C-15232QW	CN27	ACCEPTOR Series
UGR2-20231QW	CN27	ACCEPTOR Series
UGR2-20232QW	CN27	ACCEPTOR Series
UGR2C-15231QW	CN27	ACCEPTOR Series
UGR2C-15232QW	CN27	ACCEPTOR Series
UGR3-20231QW	CN27	ACCEPTOR Series
UGR3-20232QW	CN27	ACCEPTOR Series
UGR3C-15231QW	CN27	ACCEPTOR Series
UGR3C-15232QW	CN27	ACCEPTOR Series
UGR4-20231QW	CN27	ACCEPTOR Series
UGR4-20232QW	CN27	ACCEPTOR Series
UGR4C-15231QW	CN27	ACCEPTOR Series
UGR4C-15232QW	CN27	ACCEPTOR Series
UGR5-20231QW	CN27	ACCEPTOR Series
UGR5-20232QW	CN27	ACCEPTOR Series
UGR5C-15231QW	CN27	ACCEPTOR Series
UGR5C-15232QW	CN27	ACCEPTOR Series
UGR6-20231QW	CN27	ACCEPTOR Series
UGR6-20232QW	CN27	ACCEPTOR Series
UGR6C-15231QW	CN27	ACCEPTOR Series

Part #	SEC./PG	PROD. GRP.
UGR6C-15232QW	CN27	ACCEPTOR Series
UGR7-20231QW	CN27	ACCEPTOR Series
UGR7-20232QW	CN27	ACCEPTOR Series
UGR7C-15231QW	CN27	ACCEPTOR Series
UGR7C-15232QW	CN27	ACCEPTOR Series
UGR8-20231QW	CN27	ACCEPTOR Series
UGR8-20232QW	CN27	ACCEPTOR Series
UGR8C-15231QW	CN27	ACCEPTOR Series
UGR8C-15232QW	CN27	ACCEPTOR Series
UGR9-20231QW	CN27	ACCEPTOR Series
UGR9-20232QW	CN27	ACCEPTOR Series
UGR9C-15231QW	CN27	ACCEPTOR Series
UGR9C-15232QW	CN27	ACCEPTOR Series
UGRA-20231	CN26	ACCEPTOR Series
UGRA-20232	CN26	ACCEPTOR Series
UGRB1-20231QW	CN27	ACCEPTOR Series
UGRB1-20232QW	CN27	ACCEPTOR Series
UGRB1C-15231QW	CN27	ACCEPTOR Series
UGRB1C-15232QW	CN27	ACCEPTOR Series
UGRB2-20231QW	CN27	ACCEPTOR Series
UGRB2-20232QW	CN27	ACCEPTOR Series
UGRB2C-15231QW	CN27	ACCEPTOR Series
UGRB2C-15232QW	CN27	ACCEPTOR Series
UGRB3-20231QW	CN27	ACCEPTOR Series
UGRB3-20232QW	CN27	ACCEPTOR Series
UGRB3C-15231QW	CN27	ACCEPTOR Series
UGRB3C-15232QW	CN27	ACCEPTOR Series
UGRB4-20231QW	CN27	ACCEPTOR Series
UGRB4-20232QW	CN27	ACCEPTOR Series
UGRB4C-15231QW	CN27	ACCEPTOR Series
UGRB4C-15232QW	CN27	ACCEPTOR Series
UGRB5-20231QW	CN27	ACCEPTOR Series
UGRB5-20232QW	CN27	ACCEPTOR Series
UGRB5C-15231QW	CN27	ACCEPTOR Series
UGRB5C-15232QW	CN27	ACCEPTOR Series
UGRB6-20231QW	CN27	ACCEPTOR Series
UGRB6-20232QW	CN27	ACCEPTOR Series
UGRB6C-15231QW	CN27	ACCEPTOR Series
UGRB6C-15232QW	CN27	ACCEPTOR Series
UGRC-15231BQW	CN29	ACCEPTOR Series
UGRC-15231FQW	CN29	ACCEPTOR Series
UGRC-15232BQW	CN29	ACCEPTOR Series
UGRC-15232FQW	CN29	ACCEPTOR Series
UGRC-20231BQW	CN29	ACCEPTOR Series
UGRC-20231FQW	CN29	ACCEPTOR Series
UGRC-20232BQW	CN29	ACCEPTOR Series

INTRODUCTION

NUMERIC INDEX

Part #	SEC./PG	PROD. GRP.
UGRC-20232FQW	CN29	ACCEPTOR Series
UGRGF107	CN37	ACCEPTOR Series
UGRGF108	CN37	ACCEPTOR Series
UGRGF109	CN37	ACCEPTOR Series
UGRGF110	CN37	ACCEPTOR Series
UGRGF111	CN37	ACCEPTOR Series
UGRGF112	CN37	ACCEPTOR Series
UGRP-15231BQW	CN31	ACCEPTOR Series
UGRP-15231FQW	CN31	ACCEPTOR Series
UGRP-15232BQW	CN31	ACCEPTOR Series
UGRP-15232FQW	CN31	ACCEPTOR Series
UGRP-20231BQW	CN31	ACCEPTOR Series
UGRP-20231FQW	CN31	ACCEPTOR Series
UGRP-20232BQW	CN31	ACCEPTOR Series
UGRP-20232FQW	CN31	ACCEPTOR Series
UGRS-15231BC2QW	CN33	ACCEPTOR Series
UGRS-15231BD2QW	CN33	ACCEPTOR Series
UGRS-15231BE2QW	CN33	ACCEPTOR Series
UGRS-15231BQW	CN33	ACCEPTOR Series
UGRS-15231FQW	CN33	ACCEPTOR Series
UGRS-15232BC2QW	CN33	ACCEPTOR Series
UGRS-15232BD2QW	CN33	ACCEPTOR Series
UGRS-15232BE2QW	CN33	ACCEPTOR Series
UGRS-15232BQW	CN33	ACCEPTOR Series
UGRS-15232FQW	CN33	ACCEPTOR Series
UGRS-20231BC2QW	CN33	ACCEPTOR Series
UGRS-20231BD2QW	CN33	ACCEPTOR Series
UGRS-20231BE2QW	CN33	ACCEPTOR Series
UGRS-20231BQW	CN33	ACCEPTOR Series
UGRS-20231FQW	CN33	ACCEPTOR Series
UGRS-20232BC2QW	CN33	ACCEPTOR Series
UGRS-20232BD2QW	CN33	ACCEPTOR Series
UGRS-20232BE2QW	CN33	ACCEPTOR Series
UGRS-20232BQW	CN33	ACCEPTOR Series
UGRS-20232FQW	CN33	ACCEPTOR Series
UNF L3	F144	UNF/UNY Series
UNF0-EX	F142	GU/UN Series
UNF100	F141	UNF/UNY Unions
UNF100AL	F141	UNF/UNY Unions
UNF125	F141	UNF/UNY Unions
UNF125AL	F141	UNF/UNY Unions
UNF150	F141	UNF/UNY Unions
UNF150AL	F141	UNF/UNY Unions
UNF1-EX	F142	GU/UN Series
UNF200	F141	UNF/UNY Unions
UNF200AL	F141	UNF/UNY Unions

Part #	SEC./PG	PROD. GRP.
UNF250	F141	UNF/UNY Unions
UNF250AL	F141	UNF/UNY Unions
UNF2-EX	F142	GU/UN Series
UNF300	F141	UNF/UNY Unions
UNF300AL	F141	UNF/UNY Unions
UNF350	F141	UNF/UNY Unions
UNF350AL	F141	UNF/UNY Unions
UNF3-EX	F142	GU/UN Series
UNF400	F141	UNF/UNY Unions
UNF400AL	F141	UNF/UNY Unions
UNF4-EX	F142	GU/UN Series
UNF50	F141	UNF/UNY Unions
UNF50AL	F141	UNF/UNY Unions
UNF5-EX	F142	GU/UN Series
UNF6-EX	F142	GU/UN Series
UNF75	F141	UNF/UNY Unions
UNF75AL	F141	UNF/UNY Unions
UNF7-EX	F142	GU/UN Series
UNF8-EX	F142	GU/UN Series
UNF9-EX	F142	GU/UN Series
UNFL1	F144	UNF/UNY Series
UNFL2	F144	UNF/UNY Series
UNFS1	F144	UNF/UNY Series
UNFS2	F144	UNF/UNY Series
UNFS3	F144	UNF/UNY Series
UNY0-EX	F142	GU/UN Series
UNY100	F141	UNF/UNY Unions
UNY100AL	F141	UNF/UNY Unions
UNY125	F141	UNF/UNY Unions
UNY125AL	F141	UNF/UNY Unions
UNY150	F141	UNF/UNY Unions
UNY150AL	F141	UNF/UNY Unions
UNY1-EX	F142	GU/UN Series
UNY200	F141	UNF/UNY Unions
UNY200AL	F141	UNF/UNY Unions
UNY250	F141	UNF/UNY Unions
UNY250AL	F141	UNF/UNY Unions
UNY2-EX	F142	GU/UN Series
UNY300	F141	UNF/UNY Unions
UNY300AL	F141	UNF/UNY Unions
UNY350	F141	UNF/UNY Unions
UNY350AL	F141	UNF/UNY Unions
UNY3-EX	F142	GU/UN Series
UNY400	F141	UNF/UNY Unions
UNY400AL	F141	UNF/UNY Unions
UNY4-EX	F142	GU/UN Series

Part #	SEC./PG	PROD. GRP.
UNY50	F141	UNF/UNY Unions
UNY50AL	F141	UNF/UNY Unions
UNY5-EX	F142	GU/UN Series
UNY6-EX	F142	GU/UN Series
UNY75	F141	UNF/UNY Unions
UNY75AL	F141	UNF/UNY Unions
UNY7-EX	F142	GU/UN Series
UNY8-EX	F142	GU/UN Series
UNY9-EX	F142	GU/UN Series
UNYL1	F144	UNF/UNY Series
UNYL2	F144	UNF/UNY Series
UNYL3	F144	UNF/UNY Series
UNYS1	F144	UNF/UNY Series
UNYS2	F144	UNF/UNY Series
UNYS3	F144	UNF/UNY Series
USF121206	E14-E15	USF Series
USF121206-JB	E4-E5	USF Series
USF1212P	E6	USF Series
USF161206	E14-E15	USF Series
USF161206-JB	E4-E5	USF Series
USF161208	E14-E15	USF Series
USF161208-JB	E4-E5	USF Series
USF161210	E14-E15	USF Series
USF161210-JB	E4-E5	USF Series
USF1612P	E6	USF Series
USF161606	E14-E15	USF Series
USF161606-JB	E4-E5	USF Series
USF161608	E14-E15	USF Series
USF161608-JB	E4-E5	USF Series
USF161610	E14-E15	USF Series
USF161610-JB	E4-E5	USF Series
USF1616P	E6	USF Series
USF-18188	DE34, DE38-DE39	EXPB2, EXPB3 Series
USF201606	E14-E15	USF Series
USF201606-JB	E4-E5	USF Series
USF201608	E14-E15	USF Series
USF201608-JB	E4-E5	USF Series
USF201610	E14-E15	USF Series
USF201610-JB	E4-E5	USF Series
USF2016P	E6	USF Series
USF202006	E14-E15	USF Series
USF202006-JB	E4-E5	USF Series
USF202008	E14-E15	USF Series
USF202008-JB	E4-E5	USF Series
USF202010	E14-E15	USF Series
USF202010-JB	E4-E5	USF Series

INTRODUCTION NUMERIC INDEX

Part #	SEC./PG	PROD. GRP.
USF202012	E14-E15	USF Series
USF202012-JB	E4-E5	USF Series
USF2020P	E6	USF Series
USF241606	E14-E15	USF Series
USF241606-JB	E4-E5	USF Series
USF241608	E14-E15	USF Series
USF241608-JB	E4-E5	USF Series
USF241610	E14-E15	USF Series
USF241610-JB	E4-E5	USF Series
USF2416P	E6	USF Series
USF242006	E14-E15	USF Series
USF242006-JB	E4-E5	USF Series
USF242008	E14-E15	USF Series
USF242008-JB	E4-E5	USF Series
USF242010	E14-E15	USF Series
USF242010-JB	E4-E5	USF Series
USF242012	E14-E15	USF Series
USF242012-JB	E4-E5	USF Series
USF2420P	E6	USF Series
USF242406	E14-E15	USF Series
USF242406-JB	E4-E5	USF Series
USF242408	E14-E15	USF Series
USF242408-JB	E4-E5	USF Series
USF242410	E14-E15	USF Series
USF242410-JB	E4-E5	USF Series
USF242412	E14-E15	USF Series
USF242412-JB	E4-E5	USF Series
USF242416	E14-E15	USF Series
USF242416-JB	E4-E5	USF Series
USF242420	E14-E15	USF Series
USF242420-JB	E4-E5	USF Series
USF-24248	DE34, DE38-DE39	EXPB2, EXPB3 Series
USF2424P	E6	USF Series
USF302008	E14-E15	USF Series
USF302008-JB	E4-E5	USF Series
USF302010	E14-E15	USF Series
USF302010-JB	E4-E5	USF Series
USF3020P	E6	USF Series
USF302408	E14-E15	USF Series
USF302408-JB	E4-E5	USF Series
USF302410	E14-E15	USF Series
USF302410-JB	E4-E5	USF Series
USF302412	E14-E15	USF Series
USF302412-JB	E4-E5	USF Series
USF302420	E14-E15	USF Series
USF302420-JB	E4-E5	USF Series

Part #	SEC./PG	PROD. GRP.
USF3024P	E6	USF Series
USF303008	E14-E15	USF Series
USF303008-JB	E4-E5	USF Series
USF303010	E14-E15	USF Series
USF303010-JB	E4-E5	USF Series
USF303012	E14-E15	USF Series
USF303012-JB	E4-E5	USF Series
USF3030P	E6	USF Series
USF362408	E14-E15	USF Series
USF362408-JB	E4-E5	USF Series
USF362410	E14-E15	USF Series
USF362410-JB	E4-E5	USF Series
USF3624P	E6	USF Series
USF-BOXGRD	E28	USF/SJIC(H) Series
USF-CS-121206	C34	USF-CS / SJIC-CS Series
USF-CS-161206	C34	USF-CS / SJIC-CS Series
USF-CS-161208	C34	USF-CS / SJIC-CS Series
USF-CS-161606	C34	USF-CS / SJIC-CS Series
USF-CS-161608	C34	USF-CS / SJIC-CS Series
USF-CS-201606	C34	USF-CS / SJIC-CS Series
USF-CS-201608	C34	USF-CS / SJIC-CS Series
USF-CS-202006	C34	USF-CS / SJIC-CS Series
USF-CS-202008	C34	USF-CS / SJIC-CS Series
USF-CS-241606	C34	USF-CS / SJIC-CS Series
USF-CS-241608	C34	USF-CS / SJIC-CS Series
USF-CS-242006	C34	USF-CS / SJIC-CS Series
USF-CS-242008	C34	USF-CS / SJIC-CS Series
USF-CS-242406	C34	USF-CS / SJIC-CS Series
USF-CS-242408	C34	USF-CS / SJIC-CS Series
USF-CS-302008	C34	USF-CS / SJIC-CS Series
USF-CS-302408	C34	USF-CS / SJIC-CS Series
USF-CS-303008	C34	USF-CS / SJIC-CS Series
USF-CS-362408	C34	USF-CS / SJIC-CS Series
USF-CVGRD	E28	USF/SJIC(H) Series
USF-DC	E28	USF/SJIC(H) Series

Part #	SEC./PG	PROD. GRP.
USF-GB12N10-22	E27	USF/SJIC(H) Series
USF-GB12N4-35	E27	USF/SJIC(H) Series
USF-GB16N10-35	E27	USF/SJIC(H) Series
USF-GB16N4-54	E27	USF/SJIC(H) Series
USF-GB18N10-41	E27	USF/SJIC(H) Series
USF-GB18N4-63	E27	USF/SJIC(H) Series
USF-GB20N10-48	E27	USF/SJIC(H) Series
USF-GB20N4-73	E27	USF/SJIC(H) Series
USF-GB24N10-61	E27	USF/SJIC(H) Series
USF-GB24N4-92	E27	USF/SJIC(H) Series
USF-GB30N10-75	E27	USF/SJIC(H) Series
USF-GB30N4-114	E27	USF/SJIC(H) Series
USF-GP12X10	E26	USF/SJIC(H) Series
USF-GP12X6	E26	USF/SJIC(H) Series
USF-GP12X8	E26	USF/SJIC(H) Series
USF-GP16X10	E26	USF/SJIC(H) Series
USF-GP16X6	E26	USF/SJIC(H) Series
USF-GP16X8	E26	USF/SJIC(H) Series
USF-GP20X10	E26	USF/SJIC(H) Series
USF-GP20X12	E26	USF/SJIC(H) Series
USF-GP20X6	E26	USF/SJIC(H) Series
USF-GP20X8	E26	USF/SJIC(H) Series
USF-GP24X10	E26	USF/SJIC(H) Series
USF-GP24X12	E26	USF/SJIC(H) Series
USF-GP24X16	E26	USF/SJIC(H) Series
USF-GP24X20	E26	USF/SJIC(H) Series
USF-GP24X6	E26	USF/SJIC(H) Series
USF-GP24X8	E26	USF/SJIC(H) Series
USF-GP30X10	E26	USF/SJIC(H) Series
USF-GP30X12	E26	USF/SJIC(H) Series
USF-GP30X16	E26	USF/SJIC(H) Series
USF-GP30X20	E26	USF/SJIC(H) Series
USF-GP30X8	E26	USF/SJIC(H) Series
USF-GP36X10	E26	USF/SJIC(H) Series
USF-GP36X12	E26	USF/SJIC(H) Series
USF-GP36X8	E26	USF/SJIC(H) Series
USF-MTGFEET	E28	USF/SJIC(H) Series
VAG-100	L66, L83	VSL, V Series
VAG-100R	L66	VSL Series
VAG-200	L83	V Series
VAMG-200	L83	V Series
VAMGP-100	L66, L83	VSL, V Series
VB-1	L65, L82	VSL, V Series
VB-2	L65, L82	VSL, V Series
VBA	L65, L82	VSL, V Series
VBC-1	L65, L82	VSL, V Series

NUMERIC INDEX

Part #	SEC./PG	PROD. GRP.
VBQ-2	L65, L82	VSL, V Series
VBGP-100	L66, L83	VSL, V Series
VBNB	F87, L83	VJ, V Series
VBQ1023CH100	CN44	VERSAMATE Series
VBQ1023CH50	CN44	VERSAMATE Series
VBQ1023CH70	CN44	VERSAMATE Series
VBQ1023CH90	CN44	VERSAMATE Series
VBQ1023CN100	CN44	VERSAMATE Series
VBQ1023CN50	CN44	VERSAMATE Series
VBQ1023CN70	CN44	VERSAMATE Series
VBQ1023CN90	CN44	VERSAMATE Series
VBQ1023SH100	CN44	VERSAMATE Series
VBQ1023SH50	CN44	VERSAMATE Series
VBQ1023SH70	CN44	VERSAMATE Series
VBQ1023SH90	CN44	VERSAMATE Series
VBQ1023SN100	CN44	VERSAMATE Series
VBQ1023SN50	CN44	VERSAMATE Series
VBQ1023SN70	CN44	VERSAMATE Series
VBQ1023SN90	CN44	VERSAMATE Series
VBQ1034CH100	CN44	VERSAMATE Series
VBQ1034CH50	CN44	VERSAMATE Series
VBQ1034CH70	CN44	VERSAMATE Series
VBQ1034CH90	CN44	VERSAMATE Series
VBQ1034CN100	CN44	VERSAMATE Series
VBQ1034CN50	CN44	VERSAMATE Series
VBQ1034CN70	CN44	VERSAMATE Series
VBQ1034CN90	CN44	VERSAMATE Series
VBQ1034GF100	CN44	VERSAMATE Series
VBQ1034SH100	CN44	VERSAMATE Series
VBQ1034SH50	CN44	VERSAMATE Series
VBQ1034SH70	CN44	VERSAMATE Series
VBQ1034SH90	CN44	VERSAMATE Series
VBQ1034SN100	CN44	VERSAMATE Series
VBQ1034SN50	CN44	VERSAMATE Series
VBQ1034SN70	CN44	VERSAMATE Series
VBQ1034SN90	CN44	VERSAMATE Series
VBQ3023CH20	CN44	VERSAMATE Series
VBQ3023CH30	CN44	VERSAMATE Series
VBQ3023CH40	CN44	VERSAMATE Series
VBQ3023CH50	CN44	VERSAMATE Series
VBQ3023CN20	CN44	VERSAMATE Series
VBQ3023CN30	CN44	VERSAMATE Series
VBQ3023CN40	CN44	VERSAMATE Series
VBQ3023CN50	CN44	VERSAMATE Series
VBQ3023SH20	CN44	VERSAMATE Series
VBQ3023SH30	CN44	VERSAMATE Series

Part #	SEC./PG	PROD. GRP.
VBQ3023SH40	CN44	VERSAMATE Series
VBQ3023SH50	CN44	VERSAMATE Series
VBQ3023SN20	CN44	VERSAMATE Series
VBQ3023SN30	CN44	VERSAMATE Series
VBQ3023SN40	CN44	VERSAMATE Series
VBQ3023SN50	CN44	VERSAMATE Series
VBQ3034CH20	CN44	VERSAMATE Series
VBQ3034CH30	CN44	VERSAMATE Series
VBQ3034CH40	CN44	VERSAMATE Series
VBQ3034CH50	CN44	VERSAMATE Series
VBQ3034CN20	CN44	VERSAMATE Series
VBQ3034CN30	CN44	VERSAMATE Series
VBQ3034CN40	CN44	VERSAMATE Series
VBQ3034CN50	CN44	VERSAMATE Series
VBQ3034GF130	CN44	VERSAMATE Series
VBQ3034SH20	CN44	VERSAMATE Series
VBQ3034SH30	CN44	VERSAMATE Series
VBQ3034SH40	CN44	VERSAMATE Series
VBQ3034SH50	CN44	VERSAMATE Series
VBQ3034SN20	CN44	VERSAMATE Series
VBQ3034SN30	CN44	VERSAMATE Series
VBQ3034SN40	CN44	VERSAMATE Series
VBQ3034SN50	CN44	VERSAMATE Series
VBQ6023CH100	CN44	VERSAMATE Series
VBQ6023CH50	CN44	VERSAMATE Series
VBQ6023CH60	CN44	VERSAMATE Series
VBQ6023CH70	CN44	VERSAMATE Series
VBQ6023CH90	CN44	VERSAMATE Series
VBQ6023CN100	CN44	VERSAMATE Series
VBQ6023CN50	CN44	VERSAMATE Series
VBQ6023CN60	CN44	VERSAMATE Series
VBQ6023CN70	CN44	VERSAMATE Series
VBQ6023CN90	CN44	VERSAMATE Series
VBQ6023SH100	CN44	VERSAMATE Series
VBQ6023SH50	CN44	VERSAMATE Series
VBQ6023SH60	CN44	VERSAMATE Series
VBQ6023SH70	CN44	VERSAMATE Series
VBQ6023SH90	CN44	VERSAMATE Series
VBQ6023SN100	CN44	VERSAMATE Series
VBQ6023SN50	CN44	VERSAMATE Series
VBQ6023SN60	CN44	VERSAMATE Series
VBQ6023SN70	CN44	VERSAMATE Series
VBQ6023SN90	CN44	VERSAMATE Series
VBQ6034CH100	CN44	VERSAMATE Series
VBQ6034CH50	CN44	VERSAMATE Series
VBQ6034CH60	CN44	VERSAMATE Series

Part #	SEC./PG	PROD. GRP.
VBQ6034CH70	CN44	VERSAMATE Series
VBQ6034CH90	CN44	VERSAMATE Series
VBQ6034CN100	CN44	VERSAMATE Series
VBQ6034CN50	CN44	VERSAMATE Series
VBQ6034CN60	CN44	VERSAMATE Series
VBQ6034CN70	CN44	VERSAMATE Series
VBQ6034CN90	CN44	VERSAMATE Series
VBQ6034GF160	CN44	VERSAMATE Series
VBQ6034SH100	CN44	VERSAMATE Series
VBQ6034SH50	CN44	VERSAMATE Series
VBQ6034SH60	CN44	VERSAMATE Series
VBQ6034SH70	CN44	VERSAMATE Series
VBQ6034SH90	CN44	VERSAMATE Series
VBQ6034SN100	CN44	VERSAMATE Series
VBQ6034SN50	CN44	VERSAMATE Series
VBQ6034SN60	CN44	VERSAMATE Series
VBQ6034SN70	CN44	VERSAMATE Series
VBQ6034SN90	CN44	VERSAMATE Series
VBQ-HANDLEASSEMBLY	CN44	VERSAMATE Series
VBQRA1023	CN44	VERSAMATE Series
VBQRA1034	CN44	VERSAMATE Series
VBQRA3023	CN44	VERSAMATE Series
VBQRA3034	CN44	VERSAMATE Series
VBQRA6023	CN44	VERSAMATE Series
VBQRA6034	CN44	VERSAMATE Series
VCA15034	CN90	VERSAMATE Series
VCA15044	CN90	VERSAMATE Series
VCGP-100	L66, L72, L83	VSL, NV2, V Series
VCGP-200	L83	V Series
VCGPT-100	L83	V Series
VD-4	L65, L82	VSL, V Series
VD-410G	L79	V Series
VD-410GG	L79	V Series
VD-410GGPX	L81	V Series
VD-420G	L79	V Series
VD-420GG	L79	V Series
VD-420GGPX	L81	V Series
VEXA100B	L21	MBL Series
VFBG-110	L79	V Series
VFBG-1-100	L79	V Series
VFBG-120	L79	V Series
VFBG-1-200	L79	V Series
VFBG-210	L79	V Series
VFBG-2-100	L79	V Series
VFBG-220	L79	V Series
VFBG-2-200	L79	V Series

INTRODUCTION NUMERIC INDEX

Part #	SEC./PG	PROD. GRP.
VFBGG-110	L79	V Series
VFBGG-1-100	L79	V Series
VFBGG-1-100PX	L81	V Series
VFBGG-120	L79	V Series
VFBGG-1-200	L79	V Series
VFBGG-1-200PX	L81	V Series
VFBGG-210	L79	V Series
VFBGG-2-100	L79	V Series
VFBGG-2-100PX	L81	V Series
VFBGG-220	L79	V Series
VFBGG-2-200	L79	V Series
VFBGG-2-200PX	L81	V Series
VFC-100	L82	V Series
VFC-200	L82	V Series
VFCA-100	L78	V Series
VFCA-200	L78	V Series
VFCAG-100	L78	V Series
VFCAG-200	L78	V Series
VFL	L65, L82	VSL, V Series
VFPS	L65, L82	VSL, V Series
VG-2	L105	FH/VX Series
VGA-1	L65, L82	VSL, V Series
VGA-2	L65, L82	VSL, V Series
VGC-1	L65, L82	VSL, V Series
VGC-2	L65, L82	VSL, V Series
VGG-200	L83	V Series
VGGP-100	L66, L83	VSL, V Series
VGGP-200	L83	V Series
VGH-1	L65, L82	VSL, V Series
VGH-2	L65, L82	VSL, V Series
VGX-1	L65, L82	VSL, V Series
VGX-2	L65, L82	VSL, V Series
VJ57	CN89	VERSAMATE Series
VJ67	CN90	VERSAMATE Series
VJ78	CN91	VERSAMATE Series
VJA100	CN89, CN90	VERSAMATE Series
VJA200	CN91	VERSAMATE Series
VJBC	F87	VJ Series
VJC57	CN89	VERSAMATE Series
VJC67	CN90	VERSAMATE Series
VJC78	CN91	VERSAMATE Series
VJH-1	F87	VJ Series
VJH-2	F87	VJ Series
VLJDX-2	F87	VJ Series
VLJDX-3	F87	VJ Series
VLJSX-1	F87	VJ Series

Part #	SEC./PG	PROD. GRP.
VLJSX-1M	F87	VJ Series
VLJSX-2	F87	VJ Series
VLJSX-2M	F87	VJ Series
VLJX-1	F87	VJ Series
VLJX-1M	F87	VJ Series
VLJX-2	F87	VJ Series
VLJX-2M	F87	VJ Series
VLJX-3	F87	VJ Series
VLJX-3M	F87	VJ Series
VMA2B	L27	VMLX Series
VMA3B	L27	VMLX Series
VMAG40S	L97	EZ Series
VMB2B	L27	VMLX Series
VMB3B	L27	VMLX Series
VMC2B	L27	VMLX Series
VMC3B	L27	VMLX Series
VMCHVM	L30	VMLX Series
VMCHVM-DEEP	L30	VMLX Series
VMD4B	L27	VMLX Series
VMD5B	L27	VMLX Series
VMF2B	L27	VMLX Series
VMF3B	L27	VMLX Series
VMFSPC1	L21, L27, L50	MBL, VMLX, KWPL Series
VMFSPC2	L21, L27, L50	MBL, VMLX, KWPL Series
VMFSPC3	L50	KWPL Series
VMGEH2	L30	VMLX Series
VMHKPC1	L32, L88	EML, EM/EQ Series
VMHKPC2	L32, L88	EML, EM/EQ Series
VMHKPC3	L88	EM/EQ Series
VMHKXPC1	L17	L1L Series
VMHKXPC2	L17	L1L Series
VMHKXPC3	L17	L1L Series
VMHLDS	L30	VMLX Series
VMHPP2	L30	VMLX Series
VML1X5(XX)(YY)	L26	VMLX Series
VML1X530	L26	VMLX Series
VML1X533	L26	VMLX Series
VML1X534	L26	VMLX Series
VML1X7(XX)(YY)	L26	VMLX Series
VML1X730	L26	VMLX Series
VML1X733	L26	VMLX Series
VML1X734	L26	VMLX Series
VML1X9(XX)(YY)	L26	VMLX Series
VML1X930	L26	VMLX Series
VML1X933	L26	VMLX Series

Part #	SEC./PG	PROD. GRP.
VML1X934	L26	VMLX Series
VML2X12(XX)(YY)	L26	VMLX Series
VML2X1230	L26	VMLX Series
VML2X1233	L26	VMLX Series
VML2X1234	L26	VMLX Series
VML2X15(XX)(YY)	L26	VMLX Series
VML2X1530	L26	VMLX Series
VML2X1533	L26	VMLX Series
VML2X1534	L26	VMLX Series
VML2X18(XX)(YY)	L26	VMLX Series
VML2X1830	L26	VMLX Series
VML2X1833	L26	VMLX Series
VML2X1834	L26	VMLX Series
VML2X530 HA	L26	VMLX Series
VML2X533 HA	L26	VMLX Series
VML2X534 HA	L26	VMLX Series
VML2X730 HA	L26	VMLX Series
VML2X733 HA	L26	VMLX Series
VML2X734 HA	L26	VMLX Series
VML2X930 HA	L26	VMLX Series
VML2X933 HA	L26	VMLX Series
VML2X934 HA	L26	VMLX Series
VML3X1230 HA	L26	VMLX Series
VML3X1233 HA	L26	VMLX Series
VML3X1234 HA	L26	VMLX Series
VML3X1530 HA	L26	VMLX Series
VML3X1533 HA	L26	VMLX Series
VML3X1534 HA	L26	VMLX Series
VML3X1830 HA	L26	VMLX Series
VML3X1833 HA	L26	VMLX Series
VML3X1834 HA	L26	VMLX Series
VML3X23(XX)(YY)	L26	VMLX Series
VML3X2330	L26	VMLX Series
VML3X2333	L26	VMLX Series
VML3X2334	L26	VMLX Series
VML3X28(XX)(YY)	L26	VMLX Series
VML3X2830	L26	VMLX Series
VML3X2833	L26	VMLX Series
VML3X2834	L26	VMLX Series
VMLXAR	L27	VMLX Series
VMLXDR	L27	VMLX Series
VMLXGL	L27	VMLX Series
VMLXGRD	L27	VMLX Series
VMLXPC	L27	VMLX Series
VMM2LP	L30	VMLX Series
VMM3KP	L30	VMLX Series

NUMERIC INDEX

Part #	SEC./PG	PROD. GRP.
VMPA-17	L21	MBL Series
VMPA40	L35, L97	EZL, EZ Series
VMPSD-17	L21	MBL Series
VMPSD40	L35, L95, L97	EZL, EBB, EZ Series
VMRWGS	L21	MBL Series
VMS4B	L27	VMLX Series
VMS5B	L27	VMLX Series
VMSC10		Floodlight Accessories
.. L7, L12, L27, L42, L44, L46, L48		
VMX2B	L27	VMLX Series
VMX3B	L27	VMLX Series
VMX6B	L27	VMLX Series
VMX7B	L27	VMLX Series
VMX8B	L27	VMLX Series
VMX9B	L27	VMLX Series
VOB-100	L78	V Series
VOB-200	L78	V Series
VOBG-100	L78	V Series
VOBG-200	L78	V Series
VOBL-100	L79	V Series
VOBL-200	L79	V Series
VOBLG-100	L79	V Series
VOBLG-200	L79	V Series
VP1022	CN89	VERSAMATE Series
VP1023	CN89	VERSAMATE Series
VP1033	CN89	VERSAMATE Series
VP1034	CN89	VERSAMATE Series
VP1044	CN89	VERSAMATE Series
VP203512	CN91	VERSAMATE Series
VP203612	CN91	VERSAMATE Series
VP204513	CN91	VERSAMATE Series
VP204612	CN91	VERSAMATE Series
VP3022	CN87	VERSAMATE Series
VP3023	CN39, CN41, CN87	VERSAMATE Series
VP3033	CN87	VERSAMATE Series
VP3034	CN39, CN41, CN87	VERSAMATE Series
VP3044	CN87	VERSAMATE Series
VP6022	CN88	VERSAMATE Series
VP6023	CN39, CN41, CN88	VERSAMATE Series
VP6033	CN88	VERSAMATE Series
VP6034	CN39, CN41, CN88	VERSAMATE Series
VP6044	CN88	VERSAMATE Series
VPA15034	CN90	VERSAMATE Series
VPA15044	CN90	VERSAMATE Series
VPFH-2	L105	FH/VX Series
VPFHA-12	L105	FH/VX Series
VPFHA-22	L105	FH/VX Series

Part #	SEC./PG	PROD. GRP.
VPFHC-12	L105	FH/VX Series
VPFHC-22	L105	FH/VX Series
VPFHH-12	L105	FH/VX Series
VPFHH-22	L105	FH/VX Series
VPFHX-12	L105	FH/VX Series
VPFHX-22	L105	FH/VX Series
VPLCG100	L75	NVPI/NVPF Series
VPLCG-100	L66, L83	VSL, V Series
VPLCG-100A	L66	VSL Series
VPLCG100G	L75	NVPI/NVPF Series
VPLCG-100G	L66	VSL Series
VPLCG100R	L75	NVPI/NVPF Series
VPLCG-100R	L66	VSL Series
VPLCG-100W	L66	VSL Series
VPLCG-200	L83	V Series
VPR1022	CN89	VERSAMATE Series
VPR1023	CN89	VERSAMATE Series
VPR1033	CN89	VERSAMATE Series
VPR1034	CN89	VERSAMATE Series
VPR1044	CN89	VERSAMATE Series
VPR203112	CN91	VERSAMATE Series
VPR203212	CN91	VERSAMATE Series
VPR204113	CN91	VERSAMATE Series
VPR204212	CN91	VERSAMATE Series
VPR3022	CN87	VERSAMATE Series
VPR3023	CN87	VERSAMATE Series
VPR3033	CN87	VERSAMATE Series
VPR3034	CN87	VERSAMATE Series
VPR3044	CN87	VERSAMATE Series
VPR6022	CN88	VERSAMATE Series
VPR6023	CN88	VERSAMATE Series
VPR6033	CN88	VERSAMATE Series
VPR6034	CN88	VERSAMATE Series
VPR6044	CN88	VERSAMATE Series
VPRSD-100	L83	V Series
VPRSD-200	L83	V Series
VR1022	CN89	VERSAMATE Series
VR1022C5	CN89	VERSAMATE Series
VR1022E5	CN89	VERSAMATE Series
VR1023	CN89	VERSAMATE Series
VR1023C5	CN89	VERSAMATE Series
VR1023E5	CN89	VERSAMATE Series
VR1033	CN89	VERSAMATE Series
VR1033C5	CN89	VERSAMATE Series
VR1033E5	CN89	VERSAMATE Series
VR1034	CN89	VERSAMATE Series

Part #	SEC./PG	PROD. GRP.
VR1034C5	CN89	VERSAMATE Series
VR1034E5	CN89	VERSAMATE Series
VR1044	CN89	VERSAMATE Series
VR1044C5	CN89	VERSAMATE Series
VR1044E5	CN89	VERSAMATE Series
VR20312	CN91	VERSAMATE Series
VR20312C7	CN91	VERSAMATE Series
VR20312E6	CN91	VERSAMATE Series
VR20322	CN91	VERSAMATE Series
VR20322C7	CN91	VERSAMATE Series
VR20322E6	CN91	VERSAMATE Series
VR20412	CN91	VERSAMATE Series
VR20412C7	CN91	VERSAMATE Series
VR20412E6	CN91	VERSAMATE Series
VR20422	CN91	VERSAMATE Series
VR20422C7	CN91	VERSAMATE Series
VR20422E6	CN91	VERSAMATE Series
VR3022	CN87	VERSAMATE Series
VR3022C2	CN87	VERSAMATE Series
VR3022D2	CN87	VERSAMATE Series
VR3022E2	CN87	VERSAMATE Series
VR3023	CN87	VERSAMATE Series
VR3023C2	CN87	VERSAMATE Series
VR3023D2	CN87	VERSAMATE Series
VR3023E2	CN87	VERSAMATE Series
VR3033	CN87	VERSAMATE Series
VR3033C2	CN87	VERSAMATE Series
VR3033D2	CN87	VERSAMATE Series
VR3033E2	CN87	VERSAMATE Series
VR3034	CN87	VERSAMATE Series
VR3034C2	CN87	VERSAMATE Series
VR3034D2	CN87	VERSAMATE Series
VR3034E2	CN87	VERSAMATE Series
VR3044	CN87	VERSAMATE Series
VR3044C2	CN87	VERSAMATE Series
VR3044D2	CN87	VERSAMATE Series
VR3044E2	CN87	VERSAMATE Series
VR6022	CN88	VERSAMATE Series
VR6022C4	CN88	VERSAMATE Series
VR6022D4	CN88	VERSAMATE Series
VR6022E4	CN88	VERSAMATE Series
VR6023	CN88	VERSAMATE Series
VR6023C4	CN88	VERSAMATE Series
VR6023D4	CN88	VERSAMATE Series
VR6023E4	CN88	VERSAMATE Series
VR6033	CN88	VERSAMATE Series

INTRODUCTION NUMERIC INDEX

Part #	SEC./PG	PROD. GRP.
VR6033C4	CN88	VERSAMATE Series
VR6033D4	CN88	VERSAMATE Series
VR6033E4	CN88	VERSAMATE Series
VR6034	CN88	VERSAMATE Series
VR6034C4	CN88	VERSAMATE Series
VR6034D4	CN88	VERSAMATE Series
VR6034E4	CN88	VERSAMATE Series
VR6044	CN88	VERSAMATE Series
VR6044C4	CN88	VERSAMATE Series
VR6044D4	CN88	VERSAMATE Series
VR6044E4	CN88	VERSAMATE Series
VRA15034	CN90	VERSAMATE Series
VRA15034C6	CN90	VERSAMATE Series
VRA15034E6	CN90	VERSAMATE Series
VRA15044	CN90	VERSAMATE Series
VRA15044C6	CN90	VERSAMATE Series
VRA15044E6	CN90	VERSAMATE Series
VRC23	CN87	VERSAMATE Series
VRC46	CN88	VERSAMATE Series
VRD23	CN87	VERSAMATE Series
VRD46	CN88	VERSAMATE Series
VRE23	CN87	VERSAMATE Series
VRE46	CN88	VERSAMATE Series
VRG-200	L83	V Series
VRGP-100	L66, L83	VSL, V Series
VRGP-200	L83	V Series
VRME	L83, L85	V, DV Series
VSI125P405	CN48	VERSAMATE Series
VSI125P407	CN48	VERSAMATE Series
VSI125P409	CN48	VERSAMATE Series
VSI125P505	CN48	VERSAMATE Series
VSI125P507	CN48	VERSAMATE Series
VSI125P509	CN48	VERSAMATE Series
VSI125R405	CN48	VERSAMATE Series
VSI125R407	CN48	VERSAMATE Series
VSI125R409	CN48	VERSAMATE Series
VSI125R505	CN48	VERSAMATE Series
VSI125R507	CN48	VERSAMATE Series
VSI125R509	CN48	VERSAMATE Series
VSI20P304	CN47	VERSAMATE Series
VSI20P306	CN47	VERSAMATE Series
VSI20P307	CN47	VERSAMATE Series
VSI20P405	CN47	VERSAMATE Series
VSI20P407	CN47	VERSAMATE Series
VSI20P409	CN47	VERSAMATE Series
VSI20P505	CN47	VERSAMATE Series

Part #	SEC./PG	PROD. GRP.
VSI20P507	CN47	VERSAMATE Series
VSI20P509	CN47	VERSAMATE Series
VSI20R304	CN47	VERSAMATE Series
VSI20R306	CN47	VERSAMATE Series
VSI20R307	CN47	VERSAMATE Series
VSI20R405	CN47	VERSAMATE Series
VSI20R407	CN47	VERSAMATE Series
VSI20R409	CN47	VERSAMATE Series
VSI20R505	CN47	VERSAMATE Series
VSI20R507	CN47	VERSAMATE Series
VSI20R509	CN47	VERSAMATE Series
VSI30P405	CN47	VERSAMATE Series
VSI30P407	CN47	VERSAMATE Series
VSI30P409	CN47	VERSAMATE Series
VSI30P505	CN47	VERSAMATE Series
VSI30P507	CN47	VERSAMATE Series
VSI30P509	CN47	VERSAMATE Series
VSI30R405	CN47	VERSAMATE Series
VSI30R407	CN47	VERSAMATE Series
VSI30R409	CN47	VERSAMATE Series
VSI30R505	CN47	VERSAMATE Series
VSI30R507	CN47	VERSAMATE Series
VSI30R509	CN47	VERSAMATE Series
VSI63801140	CN48	VERSAMATE Series
VSI63P405	CN48	VERSAMATE Series
VSI63P407	CN48	VERSAMATE Series
VSI63P409	CN48	VERSAMATE Series
VSI63P505	CN48	VERSAMATE Series
VSI63P507	CN48	VERSAMATE Series
VSI63P509	CN48	VERSAMATE Series
VSI63R405	CN48	VERSAMATE Series
VSI63R407	CN48	VERSAMATE Series
VSI63R409	CN48	VERSAMATE Series
VSI63R505	CN48	VERSAMATE Series
VSI63R507	CN48	VERSAMATE Series
VSI63R509	CN48	VERSAMATE Series
VSIH125P405	CN51	VSIH Series
VSIH125P406	CN51	VSIH Series
VSIH125P407	CN51	VSIH Series
VSIH125P409	CN51	VSIH Series
VSIH125P505	CN51	VSIH Series
VSIH125P506	CN51	VSIH Series
VSIH125P507	CN51	VSIH Series
VSIH125P509	CN51	VSIH Series
VSIH125R405	CN51	VSIH Series
VSIH125R406	CN51	VSIH Series

Part #	SEC./PG	PROD. GRP.
VSIH125R407	CN51	VSIH Series
VSIH125R409	CN51	VSIH Series
VSIH125R505	CN51	VSIH Series
VSIH125R506	CN51	VSIH Series
VSIH125R507	CN51	VSIH Series
VSIH125R509	CN51	VSIH Series
VSIH20P304	CN51	VSIH Series
VSIH20P306	CN51	VSIH Series
VSIH20P307	CN51	VSIH Series
VSIH20P405	CN51	VSIH Series
VSIH20P406	CN51	VSIH Series
VSIH20P407	CN51	VSIH Series
VSIH20P409	CN51	VSIH Series
VSIH20P505	CN51	VSIH Series
VSIH20P506	CN51	VSIH Series
VSIH20P507	CN51	VSIH Series
VSIH20P509	CN51	VSIH Series
VSIH20R304	CN51	VSIH Series
VSIH20R306	CN51	VSIH Series
VSIH20R307	CN51	VSIH Series
VSIH20R405	CN51	VSIH Series
VSIH20R406	CN51	VSIH Series
VSIH20R407	CN51	VSIH Series
VSIH20R409	CN51	VSIH Series
VSIH20R505	CN51	VSIH Series
VSIH20R506	CN51	VSIH Series
VSIH20R507	CN51	VSIH Series
VSIH20R509	CN51	VSIH Series
VSIH32P304	CN51	VSIH Series
VSIH32P306	CN51	VSIH Series
VSIH32P405	CN51	VSIH Series
VSIH32P406	CN51	VSIH Series
VSIH32P407	CN51	VSIH Series
VSIH32P409	CN51	VSIH Series
VSIH32P505	CN51	VSIH Series
VSIH32P506	CN51	VSIH Series
VSIH32P507	CN51	VSIH Series
VSIH32P509	CN51	VSIH Series
VSIH32R304	CN51	VSIH Series
VSIH32R306	CN51	VSIH Series
VSIH32R405	CN51	VSIH Series
VSIH32R406	CN51	VSIH Series
VSIH32R407	CN51	VSIH Series
VSIH32R409	CN51	VSIH Series
VSIH32R505	CN51	VSIH Series
VSIH32R506	CN51	VSIH Series

NUMERIC INDEX

Part #	SEC./PG	PROD. GRP.
WH-9AG	F91	WH Series
WH-9G	F91	WH Series
WH-9SSG	F93	WH Series
WTR-1	L62	WTR Series
WTR-2	L62	WTR Series
X-10	C69	X/XS/XCS Series
X17	F16	DURALOY 7 Series
X17SA	F16	DURALOY 7 Series
X18	F26	DURALOY 8 Series
X27	F16	DURALOY 7 Series
X27SA	F16	DURALOY 7 Series
X28	F26	DURALOY 8 Series
X37	F16	DURALOY 7 Series
X37SA	F16	DURALOY 7 Series
X38	F26	DURALOY 8 Series
X448	F26	DURALOY 8 Series
X47	F16	DURALOY 7 Series
X47SA	F16	DURALOY 7 Series
X57	F16	DURALOY 7 Series
X57SA	F16	DURALOY 7 Series
X58	F26	DURALOY 8 Series
X-60	C69	X/XS/XCS Series
X-64	C69	X/XS/XCS Series
X67	F16	DURALOY 7 Series
X67SA	F16	DURALOY 7 Series
X68	F26	DURALOY 8 Series
XAL-458	C74	XAL/XAS Series
XAL-53	C74	XAL/XAS Series
XALB-4	F136	X/XALB Series
XALB-5	F136	X/XALB Series
XALB-6	F136	X/XALB Series
XALB-7	F136	X/XALB Series
XALB-8	F136	X/XALB Series
XAS-53	C74	XAL/XAS Series
XC-1	F136	X/XALB Series
XC-2	F136	X/XALB Series
XC-3	F136	X/XALB Series
XCS-0A15	C65	XCS Series
XCS-0A8	C64	XCS Series
XCS-0A9	C64	XCS Series
XCS-0B1	C64	XCS Series
XCS-0B13-0	C65	XCS Series
XCS-0B13-C	C65	XCS Series
XCS-0B13-U	C65	XCS Series
XCS-0B2	C64	XCS Series
XCS-0B24-CL	C65	XCS Series

Part #	SEC./PG	PROD. GRP.
XCS-0B24-GL	C65	XCS Series
XCS-0B24-RL	C65	XCS Series
XCS-0B3	C64	XCS Series
XCS-0B30-CL	C65	XCS Series
XCS-0B30-GL	C65	XCS Series
XCS-0B30-RL	C65	XCS Series
XCS-0B30RL-GL	C65	XCS Series
XCS-0B4	C64	XCS Series
XCS-0B4-U	C64	XCS Series
XCS-0B5	C64	XCS Series
XCS-0B7	C64	XCS Series
XCS-0K2A1	C66	XCS Series
XCS-0K2A5	C66	XCS Series
XCS-0K2L3F22D	C68	XCS Series
XCS-0K3C4	C66	XCS Series
XCS-0K3C5	C66	XCS Series
XCS-0K3L6G32D	C68	XCS Series
XCS-0K3M6G32D	C68	XCS Series
XCS-0K3R6G32D	C68	XCS Series
XCS-0MMG3	C64	XCS Series
XCS-0MMK3	C64	XCS Series
XCS-0MMR3	C64, C69	X/XS/XCS Series
XCS-0S2A1	C66	XCS Series
XCS-0S2A5	C66	XCS Series
XCS-0S2L3F	C67	XCS Series
XCS-0S3C4	C66	XCS Series
XCS-0S3C5	C66	XCS Series
XCS-0S3L6G	C67	XCS Series
XCS-0S3M6G	C67	XCS Series
XCS-0S3R6G	C67	XCS Series
XCS-1A15	C65	XCS Series
XCS-1A8	C64	XCS Series
XCS-1A9	C64	XCS Series
XCS-1B1	C64	XCS Series
XCS-1B13-0	C65	XCS Series
XCS-1B13-C	C65	XCS Series
XCS-1B13-U	C65	XCS Series
XCS-1B2	C64	XCS Series
XCS-1B24-CL	C65	XCS Series
XCS-1B24-GL	C65	XCS Series
XCS-1B24-RL	C65	XCS Series
XCS-1B3	C64	XCS Series
XCS-1B30-CL	C65	XCS Series
XCS-1B30-GL	C65	XCS Series
XCS-1B30-RL	C65	XCS Series
XCS-1B30RL-GL	C65	XCS Series

Part #	SEC./PG	PROD. GRP.
XCS-1B4	C64	XCS Series
XCS-1B4-U	C64	XCS Series
XCS-1B5	C64	XCS Series
XCS-1B7	C64	XCS Series
XCS-1K2A1	C66	XCS Series
XCS-1K3C4	C66	XCS Series
XCS-1S2A1	C66	XCS Series
XCS-1S3C4	C66	XCS Series
XCS-2A15	C65	XCS Series
XCS-2A8	C64	XCS Series
XCS-2A9	C64	XCS Series
XCS-2B1	C64	XCS Series
XCS-2B13-0	C65	XCS Series
XCS-2B13-C	C65	XCS Series
XCS-2B13-U	C65	XCS Series
XCS-2B2	C64	XCS Series
XCS-2B24-CL	C65	XCS Series
XCS-2B24-GL	C65	XCS Series
XCS-2B24-RL	C65	XCS Series
XCS-2B3	C64	XCS Series
XCS-2B30-CL	C65	XCS Series
XCS-2B30-GL	C65	XCS Series
XCS-2B30-RL	C65	XCS Series
XCS-2B30RL-GL	C65	XCS Series
XCS-2B4	C64	XCS Series
XCS-2B4-U	C64	XCS Series
XCS-2B5	C64	XCS Series
XCS-2B7	C64	XCS Series
XCS-2K2A1	C66	XCS Series
XCS-2K3C4	C66	XCS Series
XCS-2S2A1	C66	XCS Series
XCS-2S3C4	C66	XCS Series
XCS-42K2A5	C66	XCS Series
XCS-42K2L3F22D	C68	XCS Series
XCS-42K3C5	C66	XCS Series
XCS-42K3L6G32D	C68	XCS Series
XCS-42K3M6G32D	C68	XCS Series
XCS-42K3R6G32D	C68	XCS Series
XCS-42S2A5	C66	XCS Series
XCS-42S2L3F	C67	XCS Series
XCS-42S3C5	C66	XCS Series
XCS-42S3L6G	C67	XCS Series
XCS-42S3M6G	C67	XCS Series
XCS-42S3R6G	C67	XCS Series
XCS-45K2A5	C66	XCS Series
XCS-45K2L3F22D	C68	XCS Series

INTRODUCTION NUMERIC INDEX

Part #	SEC./PG	PROD. GRP.
XCS-45K3C5	C66	XCS Series
XCS-45K3L6G32D	C68	XCS Series
XCS-45K3R6G32D	C68	XCS Series
XCS-45S2A5	C66	XCS Series
XCS-45S2L3F	C67	XCS Series
XCS-45S3C5	C66	XCS Series
XCS-45S3L6G	C67	XCS Series
XCS-45S3M6G	C67	XCS Series
XCS-45S3R6G	C67	XCS Series
XCS-4A15	C65	XCS Series
XCS-4A8	C64	XCS Series
XCS-4A9	C64	XCS Series
XCS-4B1	C64	XCS Series
XCS-4B13-0	C65	XCS Series
XCS-4B13-C	C65	XCS Series
XCS-4B13-U	C65	XCS Series
XCS-4B2	C64	XCS Series
XCS-4B24-CL	C65	XCS Series
XCS-4B24-GL	C65	XCS Series
XCS-4B24-RL	C65	XCS Series
XCS-4B3	C64	XCS Series
XCS-4B30-CL	C65	XCS Series
XCS-4B30-GL	C65	XCS Series
XCS-4B30-RL	C65	XCS Series
XCS-4B30RL-GL	C65	XCS Series
XCS-4B4	C64	XCS Series
XCS-4B4-U	C64	XCS Series
XCS-4B5	C64	XCS Series
XCS-4B7	C64	XCS Series
XCS-4K2A1	C66	XCS Series
XCS-4K3C4	C66	XCS Series
XCS-4S2A1	C66	XCS Series
XCS-4S3C4	C66	XCS Series
XCS-5A15	C65	XCS Series
XCS-5A8	C64	XCS Series
XCS-5A9	C64	XCS Series
XCS-5B1	C64	XCS Series
XCS-5B13-0	C65	XCS Series
XCS-5B13-C	C65	XCS Series
XCS-5B13-U	C65	XCS Series
XCS-5B2	C64	XCS Series
XCS-5B24-CL	C65	XCS Series
XCS-5B24-GL	C65	XCS Series
XCS-5B24-RL	C65	XCS Series
XCS-5B3	C64	XCS Series
XCS-5B30-CL	C65	XCS Series

Part #	SEC./PG	PROD. GRP.
XCS-5B30-GL	C65	XCS Series
XCS-5B30-RL	C65	XCS Series
XCS-5B30RL-GL	C65	XCS Series
XCS-5B4	C64	XCS Series
XCS-5B4-U	C64	XCS Series
XCS-5B5	C64	XCS Series
XCS-5B7	C64	XCS Series
XCS-5K2A1	C66	XCS Series
XCS-5K3C4	C66	XCS Series
XCS-5S2A1	C66	XCS Series
XCS-5S3C4	C66	XCS Series
XCSNP-1-OFF-2	C70	XCS Series
XCSNP-AUT-OFF-HAND	C70	XCS Series
XCSNP-AUTO-HAND	C70	XCS Series
XCSNP-BLANK	C70	XCS Series
XCSNP-BLANK-2P	C70	XCS Series
XCSNP-BLANK-3P	C70	XCS Series
XCSNP-CLOSE	C70	XCS Series
XCSNP-DOWN	C70	XCS Series
XCSNP-ESTOP	C70	XCS Series
XCSNP-FAST	C70	XCS Series
XCSNP-FORWARD	C70	XCS Series
XCSNP-FWD-OFF-REV	C70	XCS Series
XCSNP-FWD-REV	C70	XCS Series
XCSNP-HAND-AUTO	C70	XCS Series
XCSNP-HAND-OFF-AUT	C70	XCS Series
XCSNP-HAND-OFF-REM	C70	XCS Series
XCSNP-HIGH	C70	XCS Series
XCSNP-HIGH-LOW	C70	XCS Series
XCSNP-IN	C70	XCS Series
XCSNP-INCH	C70	XCS Series
XCSNP-JOG	C70	XCS Series
XCSNP-JOG-FORWARD	C70	XCS Series
XCSNP-JOG-OFF-RUN	C70	XCS Series
XCSNP-JOG-REVERSE	C70	XCS Series
XCSNP-JOG-RUN	C70	XCS Series
XCSNP-LOCL-OFF-REM	C70	XCS Series
XCSNP-LOW	C70	XCS Series
XCSNP-LOWER	C70	XCS Series
XCSNP-LOW-OFF-HIGH	C70	XCS Series
XCSNP-MANUAL-AUTO	C70	XCS Series
XCSNP-MOTOR-RUN	C70	XCS Series
XCSNP-MOTOR-STOP	C70	XCS Series
XCSNP-OFF	C70	XCS Series
XCSNP-OFF-ON	C70	XCS Series
XCSNP-OFF-REMOTE	C70	XCS Series

Part #	SEC./PG	PROD. GRP.
XCSNP-ON	C70	XCS Series
XCSNP-ON-OFF	C70	XCS Series
XCSNP-OPEN	C70	XCS Series
XCSNP-OPEN-CLOSE	C70	XCS Series
XCSNP-OUT	C70	XCS Series
XCSNP-POWER-ON	C70	XCS Series
XCSNP-PUSH-TO-TEST	C70	XCS Series
XCSNP-RAISE	C70	XCS Series
XCSNP-RAISE-LOWER	C70	XCS Series
XCSNP-RAS-OFF-LOWR	C70	XCS Series
XCSNP-READY	C70	XCS Series
XCSNP-RESET	C70	XCS Series
XCSNP-REVERSE	C70	XCS Series
XCSNP-REV-OFF-FWD	C70	XCS Series
XCSNP-RUN	C70	XCS Series
XCSNP-RUN-JOG	C70	XCS Series
XCSNP-RUN-OFF-JOG	C70	XCS Series
XCSNP-SLOW	C70	XCS Series
XCSNP-SLOW-FAST	C70	XCS Series
XCSNP-SLOW-FAST	C70	XCS Series
XCSNP-SLOW-OFF-FST	C70	XCS Series
XCSNP-START	C70	XCS Series
XCSNP-START-JOG	C70	XCS Series
XCSNP-START-STOP	C70	XCS Series
XCSNP-STOP	C70	XCS Series
XCSNP-STP-RUN-STRT	C70	XCS Series
XCSNP-TEST	C70	XCS Series
XCSNP-UP	C70	XCS Series
XCSNP-UP-DOWN	C70	XCS Series
XCSNP-UP-OFF-DOWN	C70	XCS Series
XDBB	C69	X/XS/XCS Series
XDBG	C69	X/XS/XCS Series
XDBR	C69	X/XS/XCS Series
XECD-154A1	DE3	XEC Series
XECD-154A2	DE3	XEC Series
XECD-204A1	DE3	XEC Series
XECD-204A2	DE3	XEC Series
XECD-304A1	DE3	XEC Series
XECD-304A2	DE3	XEC Series
XECD-404A1	DE3	XEC Series
XECD-404A2	DE3	XEC Series
XECD-4A	DE3	XEC Series
XECE-154A3	DE3	XEC Series
XECE-156A2	DE3	XEC Series
XECE-156A3	DE3	XEC Series
XECE-204A3	DE3	XEC Series

INTRODUCTION

NUMERIC INDEX

Part #	SEC./PG	PROD. GRP.
XECE-206A2	DE3	XEC Series
XECE-206A3	DE3	XEC Series
XECE-304A3	DE3	XEC Series
XECE-306A2	DE3	XEC Series
XECE-306A3	DE3	XEC Series
XECE-404A3	DE3	XEC Series
XECE-406A2	DE3	XEC Series
XECE-406A3	DE3	XEC Series
XECE-6A	DE3	XEC Series
XECF-1004A1	DE3	XEC Series
XECF-1004A2	DE3	XEC Series
XECF-1004A3	DE3	XEC Series
XECF-1006A2	DE3	XEC Series
XECF-1006A3	DE3	XEC Series
XECF-504A1	DE3	XEC Series
XECF-504A2	DE3	XEC Series
XECF-504A3	DE3	XEC Series
XECF-506A2	DE3	XEC Series
XECF-506A3	DE3	XEC Series
XECF-604A1	DE3	XEC Series
XECF-604A2	DE3	XEC Series
XECF-604A3	DE3	XEC Series
XECF-606A2	DE3	XEC Series
XECF-606A3	DE3	XEC Series
XECF-6A	DE3	XEC Series
XECF-704A1	DE3	XEC Series
XECF-704A2	DE3	XEC Series
XECF-704A3	DE3	XEC Series
XECF-706A2	DE3	XEC Series
XECF-706A3	DE3	XEC Series
XECF-804A1	DE3	XEC Series
XECF-804A2	DE3	XEC Series
XECF-804A3	DE3	XEC Series
XECF-806A2	DE3	XEC Series
XECF-806A3	DE3	XEC Series
XECF-904A1	DE3	XEC Series
XECF-904A2	DE3	XEC Series
XECF-904A3	DE3	XEC Series
XECF-906A2	DE3	XEC Series
XECF-906A3	DE3	XEC Series
XEDS-100	DE11	XEDS Series
XEDS-100A	DE11	XEDS Series
XEDS-100AA	DE11	XEDS Series
XEDS-30	DE11	XEDS Series
XEDS-30A	DE11	XEDS Series
XEDS-30AA	DE11	XEDS Series

Part #	SEC./PG	PROD. GRP.
XEDS-60	DE11	XEDS Series
XEDS-60A	DE11	XEDS Series
XEDS-60AA	DE11	XEDS Series
XEDS-A	DE11	XEDS Series
XEDS-B	DE11	XEDS Series
XFH-21	L107	HXB/XFH/EKJ Series
XFH-22	L107	HXB/XFH/EKJ Series
XHL-100	L86	XHL/XHLF Series
XHLF26	L86	XHL/XHLF Series
XHLF26-50KP	L86	XHL/XHLF Series
XHLG	L86	XHL/XHLF Series
XHL-GL	L86	XHL/XHLF Series
XHLS	L86	XHL/XHLF Series
XLB-1	F136	X/XALB Series
XLB-2	F136	X/XALB Series
XLB-3	F136	X/XALB Series
XLL-1	F136	X/XALB Series
XLL-2	F136	X/XALB Series
XLL-3	F136	X/XALB Series
XLOA	C69	X/XS/XCS Series
XLOB	C69	X/XS/XCS Series
XLR-1	F136	X/XALB Series
XLR-2	F136	X/XALB Series
XLR-3	F136	X/XALB Series
XLRT-21	F136	X/XALB Series
XLRT-22	F136	X/XALB Series
XMSW-00T	S20	XMSW Series
XMSW-0BT	S20	XMSW Series
XMSW-0CT	S20	XMSW Series
XMSW-1BT	S20	XMSW Series
XMSW-1CT	S20	XMSW Series
XMSW-DBT	S20	XMSW Series
XNS-1C	C72	XS/XST Series
XNS-1D	C72	XS/XST Series
XNS-2C	C72	XS/XST Series
XNS-2D	C72	XS/XST Series
XNS-3C	C72	XS/XST Series
XNS-5C	C72	XS/XST Series
XNS-6C	C72	XS/XST Series
XNS-7C	C72	XS/XST Series
XNS-8C	C72	XS/XST Series
XS-11C	C72	XS/XST Series
XS-11D	C72	XS/XST Series
XS-12C	C72	XS/XST Series
XS-12D	C72	XS/XST Series
XS-13C	C72	XS/XST Series

Part #	SEC./PG	PROD. GRP.
XS-15C	C72	XS/XST Series
XS-16C	C72	XS/XST Series
XS-17C	C72	XS/XST Series
XS-18C	C72	XS/XST Series
XS-1C	C72	XS/XST Series
XS-1D	C72	XS/XST Series
XS-21C	C72	XS/XST Series
XS-21D	C72	XS/XST Series
XS-22C	C72	XS/XST Series
XS-22D	C72	XS/XST Series
XS-23C	C72	XS/XST Series
XS-25C	C72	XS/XST Series
XS-26C	C72	XS/XST Series
XS-27C	C72	XS/XST Series
XS-28C	C72	XS/XST Series
XS-2C	C72	XS/XST Series
XS-2D	C72	XS/XST Series
XS-3C	C72	XS/XST Series
XS-41C	C72	XS/XST Series
XS-41D	C72	XS/XST Series
XS-42C	C72	XS/XST Series
XS-42D	C72	XS/XST Series
XS-43C	C72	XS/XST Series
XS-45C	C72	XS/XST Series
XS-46C	C72	XS/XST Series
XS-47C	C72	XS/XST Series
XS-48C	C72	XS/XST Series
XS-4C	C72	XS/XST Series
XS-51C	C72	XS/XST Series
XS-51D	C72	XS/XST Series
XS-52C	C72	XS/XST Series
XS-52D	C72	XS/XST Series
XS-53C	C72	XS/XST Series
XS-55C	C72	XS/XST Series
XS-56C	C72	XS/XST Series
XS-57C	C72	XS/XST Series
XS-58C	C72	XS/XST Series
XS-5C	C72	XS/XST Series
XS-6C	C72	XS/XST Series
XS-7C	C72	XS/XST Series
XS-8C	C72	XS/XST Series
XSD-01	S11	XSD/XSX/FXSD/FX SX Series
XSD-02	S11	XSD/XSX/FXSD/FX SX Series
XSD-11	S11	XSD/XSX/FXSD/FX SX Series

INTRODUCTION NUMERIC INDEX

Part #	SEC./PG	PROD. GRP.	Part #	SEC./PG	PROD. GRP.	Part #	SEC./PG	PROD. GRP.
XSD-12	S11	XSD/XSX/FXSD/FXSX Series	Y-1	F159	FF/MF/MM/BL/GUFS/Y/ EYMF Series	YOSD-A.78	S12	XSD/XSX/FXSD/FXSX Series
XSD-21	S11	XSD/XSX/FXSD/FXSX Series	Y-1-EX	F160	FF/MF/MM/BL/GUFS/Y/ EYMF Series	YOSD-A.86	S12	XSD/XSX/FXSD/FXSX Series
XSD-22	S11	XSD/XSX/FXSD/FXSX Series	Y-1M	F159	FF/MF/MM/BL/GUFS/Y/ EYMF Series	YOSD-A.95	S12	XSD/XSX/FXSD/FXSX Series
XSD-41	S11	XSD/XSX/FXSD/FXSX Series	Y-1M-EX	F160	FF/MF/MM/BL/GUFS/Y/ EYMF Series	YOSD-A1.02	S12	XSD/XSX/FXSD/FXSX Series
XSD-42	S11	XSD/XSX/FXSD/FXSX Series	Y-2	F159	FF/MF/MM/BL/GUFS/Y/ EYMF Series	YOSD-A1.16	S12	XSD/XSX/FXSD/FXSX Series
XSD-51	S11	XSD/XSX/FXSD/FXSX Series	Y-2-EX	F160	FF/MF/MM/BL/GUFS/Y/ EYMF Series	YOSD-A1.25	S12	XSD/XSX/FXSD/FXSX Series
XSD-52	S11	XSD/XSX/FXSD/FXSX Series	Y-2M	F159	FF/MF/MM/BL/GUFS/Y/ EYMF Series	YOSD-A1.39	S12	XSD/XSX/FXSD/FXSX Series
XST15-21C	C72	XS/XST Series	Y-2M-EX	F160	FF/MF/MM/BL/GUFS/Y/ EYMF Series	YOSD-A1.54	S12	XSD/XSX/FXSD/FXSX Series
XST15-23C	C72	XS/XST Series	Y-3	F159	FF/MF/MM/BL/GUFS/Y/ EYMF Series	YOSD-A1.63	S12	XSD/XSX/FXSD/FXSX Series
XST15-31C	C72	XS/XST Series	Y-3-EX	F160	FF/MF/MM/BL/GUFS/Y/ EYMF Series	YOSD-A1.75	S12	XSD/XSX/FXSD/FXSX Series
XST15-33C	C72	XS/XST Series	Y-3M	F159	FF/MF/MM/BL/GUFS/Y/ EYMF Series	YOSD-A1.86	S12	XSD/XSX/FXSD/FXSX Series
XST15-51C	C72	XS/XST Series	Y-3M-EX	F160	FF/MF/MM/BL/GUFS/Y/ EYMF Series	YOSD-A1.99	S12	XSD/XSX/FXSD/FXSX Series
XST15-53C	C72	XS/XST Series	Y-4	F159	FF/MF/MM/BL/GUFS/Y/ EYMF Series	YOSD-A11.0	S12	XSD/XSX/FXSD/FXSX Series
XST15-61C	C72	XS/XST Series	Y-4-EX	F160	FF/MF/MM/BL/GUFS/Y/ EYMF Series	YOSD-A11.9	S12	XSD/XSX/FXSD/FXSX Series
XST15-63C	C72	XS/XST Series	Y-4M	F159	FF/MF/MM/BL/GUFS/Y/ EYMF Series	YOSD-A13.2	S12	XSD/XSX/FXSD/FXSX Series
XST20-21C	C72	XS/XST Series	Y-4M-EX	F160	FF/MF/MM/BL/GUFS/Y/ EYMF Series	YOSD-A14.1	S12	XSD/XSX/FXSD/FXSX Series
XST20-23C	C72	XS/XST Series	Y-5	F159	FF/MF/MM/BL/GUFS/Y/ EYMF Series	YOSD-A14.8	S12	XSD/XSX/FXSD/FXSX Series
XST20-31C	C72	XS/XST Series	Y-5-EX	F160	FF/MF/MM/BL/GUFS/Y/ EYMF Series	YOSD-A16.2	S12	XSD/XSX/FXSD/FXSX Series
XST20-33C	C72	XS/XST Series	Y-5M	F159	FF/MF/MM/BL/GUFS/Y/ EYMF Series	YOSD-A17.9	S12	XSD/XSX/FXSD/FXSX Series
XST20-51C	C72	XS/XST Series	Y-5M-EX	F160	FF/MF/MM/BL/GUFS/Y/ EYMF Series	YOSD-A19.8	S12	XSD/XSX/FXSD/FXSX Series
XST20-53C	C72	XS/XST Series	YOKK-10285	C106	G Series	YOSD-A2.15	S12	XSD/XSX/FXSD/FXSX Series
XST20-61C	C72	XS/XST Series	YOKK-10286	C106	G Series	YOSD-A2.31	S12	XSD/XSX/FXSD/FXSX Series
XST20-63C	C72	XS/XST Series	YOKK-10287	C106	G Series	YOSD-A2.57	S12	XSD/XSX/FXSD/FXSX Series
XSX-12	S11	XSD/XSX/FXSD/FXSX Series	YOKK-10291	C106	G Series	YOSD-A2.71	S12	XSD/XSX/FXSD/FXSX Series
XSX-13	S11	XSD/XSX/FXSD/FXSX Series	YOKK15214	C74	XAL/XAS Series	YOSD-A2.81	S12	XSD/XSX/FXSD/FXSX Series
XSX-2	S11	XSD/XSX/FXSD/FXSX Series	YOKK-9484-2	C106	G Series	YOSD-A21.3	S12	XSD/XSX/FXSD/FXSX Series
XSX-22	S11	XSD/XSX/FXSD/FXSX Series	YOSD-A.49	S12	XSD/XSX/FXSD/FXSX Series	YOSD-A25.2	S12	XSD/XSX/FXSD/FXSX Series
XSX-23	S11	XSD/XSX/FXSD/FXSX Series	YOSD-A.54	S12	XSD/XSX/FXSD/FXSX Series	YOSD-A3.61	S12	XSD/XSX/FXSD/FXSX Series
XSX-3	S11	XSD/XSX/FXSD/FXSX Series	YOSD-A.59	S12	XSD/XSX/FXSD/FXSX Series	YOSD-A3.95	S12	XSD/XSX/FXSD/FXSX Series
XSX-42	S11	XSD/XSX/FXSD/FXSX Series	YOSD-A.65	S12	XSD/XSX/FXSD/FXSX Series			
XSX-43	S11	XSD/XSX/FXSD/FXSX Series	YOSD-A.71	S12	XSD/XSX/FXSD/FXSX Series			
XSX-52	S11	XSD/XSX/FXSD/FXSX Series						
XSX-53	S11	XSD/XSX/FXSD/FXSX Series						
XT-1	F136	X/XALB Series						
XT-2	F136	X/XALB Series						
XT-3	F136	X/XALB Series						

NUMERIC INDEX

Part #	SEC./PG	PROD. GRP.
YOSD-A4.32	S12	XSD/XSX/FXSD/FXSX Series
YOSD-A4.79	S12	XSD/XSX/FXSD/FXSX Series
YOSD-A5.30	S12	XSD/XSX/FXSD/FXSX Series
YOSD-A5.78	S12	XSD/XSX/FXSD/FXSX Series
YOSD-A6.20	S12	XSD/XSX/FXSD/FXSX Series
YOSD-A6.99	S12	XSD/XSX/FXSD/FXSX Series
YOSD-A7.65	S12	XSD/XSX/FXSD/FXSX Series
YOSD-A8.38	S12	XSD/XSX/FXSD/FXSX Series
YOSD-A9.25	S12	XSD/XSX/FXSD/FXSX Series
YOSD-A9.85	S12	XSD/XSX/FXSD/FXSX Series
YOSY120MB	C107	G Series
YOSY24MB	C107	G Series
YOWEA200-FH03	S18, S20	B7MSN, XMSW Series
YOWEA200-FH04	S18, S20	B7MSN, XMSW Series
YOWEA200-FH05	S18, S20	B7MSN, XMSW Series
YOWEA200-FH06	S18, S20	B7MSN, XMSW Series
YOWEA200-FH07	S18, S20	B7MSN, XMSW Series
YOWEA200-FH08	S18, S20	B7MSN, XMSW Series
YOWEA200-FH09	S18, S20	B7MSN, XMSW Series
YOWEA200-FH10	S18, S20	B7MSN, XMSW Series
YOWEA200-FH11	S18, S20	B7MSN, XMSW Series
YOWEA200-FH12	S18, S20	B7MSN, XMSW Series
YOWEA200-FH13	S18, S20	B7MSN, XMSW Series
YOWEA200-FH14	S18, S20	B7MSN, XMSW Series
YOWEA200-FH15	S18, S20	B7MSN, XMSW Series
YOWEA200-FH16	S18, S20	B7MSN, XMSW Series
YOWEA200-FH17	S18, S20	B7MSN, XMSW Series
YOWEA200-FH18	S18, S20	B7MSN, XMSW Series
YOWEA200-FH19	S18, S20	B7MSN, XMSW Series
YOWEA200-FH20	S18, S20	B7MSN, XMSW Series
YOWEA200-FH21	S18, S20	B7MSN, XMSW Series
YOWEA200-FH22	S18, S20	B7MSN, XMSW Series
YOWEA200-FH23	S18, S20	B7MSN, XMSW Series
YOWEA200-FH24	S18, S20	B7MSN, XMSW Series
YOWEA200-FH25	S18, S20	B7MSN, XMSW Series
YOWEA200-FH26	S18, S20	B7MSN, XMSW Series
YOWEA200-FH27	S18, S20	B7MSN, XMSW Series
YOWEA200-FH28	S18, S20	B7MSN, XMSW Series
YOWEA200-FH29	S18, S20	B7MSN, XMSW Series
YOWEA200-FH30	S18, S20	B7MSN, XMSW Series

Part #	SEC./PG	PROD. GRP.
YOWEA200-FH31	S18, S20	B7MSN, XMSW Series
YOWEA200-FH32	S18, S20	B7MSN, XMSW Series
YOWEA200-FH33	S18, S20	B7MSN, XMSW Series
YOWEA200-FH34	S18, S20	B7MSN, XMSW Series
YOWEA200-FH35	S18, S20	B7MSN, XMSW Series
YOWEA200-FH36	S18, S20	B7MSN, XMSW Series
YOWEA200-FH37	S18, S20	B7MSN, XMSW Series
YOWEA200-FH38	S18, S20	B7MSN, XMSW Series
YOWEA200-FH39	S18, S20	B7MSN, XMSW Series
YOWEA200-FH40	S18, S20	B7MSN, XMSW Series
YOWEA200-FH41	S18, S20	B7MSN, XMSW Series
YOWEA200-FH42	S18, S20	B7MSN, XMSW Series
YOWEA200-FH43	S18, S20	B7MSN, XMSW Series
YOWEA200-FH44	S18, S20	B7MSN, XMSW Series
YOWEA200-FH45	S18, S20	B7MSN, XMSW Series
YOWEA200-FH46	S18, S20	B7MSN, XMSW Series
YOWEA200-FH47	S18, S20	B7MSN, XMSW Series
YOWEA200-FH48	S18, S20	B7MSN, XMSW Series
YOWEA200-FH49	S18, S20	B7MSN, XMSW Series
YOWEA200-FH50	S18, S20	B7MSN, XMSW Series
YOWEA200-FH51	S18, S20	B7MSN, XMSW Series
YOWEA200-FH52	S18, S20	B7MSN, XMSW Series
YOWEA200-FH53	S18, S20	B7MSN, XMSW Series
YOWEA200-FH54	S18, S20	B7MSN, XMSW Series
YOWEA200-FH55	S18, S20	B7MSN, XMSW Series
YOWEA200-FH56	S18, S20	B7MSN, XMSW Series
YOWEA200-FH57	S18, S20	B7MSN, XMSW Series
ZHLN-170	F195	SWZ/LNZ/ZHLN Series
ZHLN-270	F195	SWZ/LNZ/ZHLN Series
ZHLN-370	F195	SWZ/LNZ/ZHLN Series
ZHLN-470	F195	SWZ/LNZ/ZHLN Series
ZHLN-570	F195	SWZ/LNZ/ZHLN Series
ZHLN-670	F195	SWZ/LNZ/ZHLN Series
ZHLN-770	F195	SWZ/LNZ/ZHLN Series
ZHLN-870	F195	SWZ/LNZ/ZHLN Series
ZHLN-970	F195	SWZ/LNZ/ZHLN Series
ZN102	F180	Z Series
ZN102CR	F184	Z Series
ZN102CR-EX	F192	Z Series
ZN102-EX	F188	Z Series
ZN103	F180	Z Series
ZN103CR	F184	Z Series
ZN103CR-EX	F192	Z Series
ZN103-EX	F188	Z Series
ZN103-EX-MG	F190	Z Series
ZN103-MG	F182	Z Series

Part #	SEC./PG	PROD. GRP.
ZN103ZP	F176	Z Series STD
ZN105	F180	Z Series
ZN105CR	F184	Z Series
ZN105CR-EX	F192	Z Series
ZN105CR-EX-MG	F194	Z Series
ZN105-EX	F188	Z Series
ZN105-EX-MG	F190	Z Series
ZN105-MG	F182	Z Series
ZN105ZP	F176	Z Series STD
ZN108	F180	Z Series
ZN108CR	F184	Z Series
ZN108CR-EX	F192	Z Series
ZN108CR-EX-MG	F194	Z Series
ZN108-EX	F188	Z Series
ZN108-EX-MG	F190	Z Series
ZN108-MG	F182	Z Series
ZN108ZP	F176	Z Series STD
ZN109	F180	Z Series
ZN109CR	F184	Z Series
ZN109CR-EX	F192	Z Series
ZN109-EX	F188	Z Series
ZN109-EX-MG	F190	Z Series
ZN109-MG	F182	Z Series
ZN109ZP	F176	Z Series STD
ZN208	F180	Z Series
ZN208CR	F184	Z Series
ZN208CR-EX	F192	Z Series
ZN208CR-EX-MG	F194	Z Series
ZN208-EX	F188	Z Series
ZN208-EX-MG	F190	Z Series
ZN208-MG	F182	Z Series
ZN208ZP	F176	Z Series STD
ZN209	F180	Z Series
ZN209CR	F184	Z Series
ZN209CR-EX	F192	Z Series
ZN209CR-EX-MG	F194	Z Series
ZN209-EX	F188	Z Series
ZN209-EX-MG	F190	Z Series
ZN209-MG	F182	Z Series
ZN209ZP	F176	Z Series STD
ZN210	F180	Z Series
ZN210CR	F184	Z Series
ZN210CR-EX	F192	Z Series
ZN210CR-EX-MG	F194	Z Series
ZN210-EX	F188	Z Series
ZN210-EX-MG	F190	Z Series

INTRODUCTION NUMERIC INDEX

Part #	SEC./PG	PROD. GRP.
ZN210-MG	F182	Z Series
ZN210ZP	F176	Z Series STD
ZN211	F180	Z Series
ZN211CR	F184	Z Series
ZN211CR-EX	F192	Z Series
ZN211-EX	F188	Z Series
ZN211-EX-MG	F190	Z Series
ZN211-MG	F182	Z Series
ZN211ZP	F176	Z Series STD
ZN309	F180	Z Series
ZN309-EX	F188	Z Series
ZN310	F180	Z Series
ZN310CR	F184	Z Series
ZN310CR-EX	F192	Z Series
ZN310CR-EX-MG	F194	Z Series
ZN310-EX	F188	Z Series
ZN310ZP	F176	Z Series STD
ZN311	F180	Z Series
ZN311CR	F184	Z Series
ZN311CR-EX	F192	Z Series
ZN311CR-EX-MG	F194	Z Series
ZN311-EX	F188	Z Series
ZN312	F180	Z Series
ZN312CR	F184	Z Series
ZN312CR-EX	F192	Z Series
ZN312-EX	F188	Z Series
ZN313	F180	Z Series
ZN313-EX	F188	Z Series
ZN412	F180	Z Series
ZN412-EX	F188	Z Series
ZN413	F180	Z Series
ZN413-EX	F188	Z Series
ZN414	F180	Z Series
ZN414-EX	F188	Z Series
ZN415	F180	Z Series
ZN415-EX	F188	Z Series
ZN513-EX	F188	Z Series
ZN515	F180	Z Series
ZN515-EX	F188	Z Series
ZN616	F180	Z Series
ZN616-EX	F188	Z Series
ZS001	F178	Z Series
ZS001-EX	F186	Z Series
ZS002	F178	Z Series
ZS002CR	F184	Z Series
ZS002CR-EX	F192	Z Series

Part #	SEC./PG	PROD. GRP.
ZS002-EX	F186	Z Series
ZS003	F178	Z Series
ZS003CR	F184	Z Series
ZS003CR-EX	F192	Z Series
ZS003CR-EX-MG	F194	Z Series
ZS003-EX	F186	Z Series
ZS004	F178	Z Series
ZS004CR	F184	Z Series
ZS004CR-EX	F192	Z Series
ZS004CR-EX-MG	F194	Z Series
ZS004-EX	F186	Z Series
ZS004-EX-MG	F190	Z Series
ZS004-MG	F182	Z Series
ZS006	F178	Z Series
ZS006CR	F184	Z Series
ZS006CR-EX	F192	Z Series
ZS006CR-EX-MG	F194	Z Series
ZS006-EX	F186	Z Series
ZS006-EX-MG	F190	Z Series
ZS006-MG	F182	Z Series
ZS007	F178	Z Series
ZS007CR	F184	Z Series
ZS007CR-EX	F192	Z Series
ZS007-EX	F186	Z Series
ZS007-EX-MG	F190	Z Series
ZS007-MG	F182	Z Series
ZS101	F178	Z Series
ZS101CR	F184	Z Series
ZS101CR-EX	F192	Z Series
ZS101-EX	F186	Z Series
ZS102	F178	Z Series
ZS102CR	F184	Z Series
ZS102CR-EX	F192	Z Series
ZS102-EX	F186	Z Series
ZS103	F178	Z Series
ZS103CR	F184	Z Series
ZS103CR-EX	F192	Z Series
ZS103CR-EX-MG	F194	Z Series
ZS103-EX	F186	Z Series
ZS103-EX-MG	F190	Z Series
ZS103-MG	F182	Z Series
ZS105	F178	Z Series
ZS105CR	F184	Z Series
ZS105CR-EX	F192	Z Series
ZS105CR-EX-MG	F194	Z Series
ZS105-EX	F186	Z Series

Part #	SEC./PG	PROD. GRP.
ZS105-EX-MG	F190	Z Series
ZS105-MG	F182	Z Series
ZS108	F178	Z Series
ZS108CR	F184	Z Series
ZS108CR-EX	F192	Z Series
ZS108CR-EX-MG	F194	Z Series
ZS108-EX	F186	Z Series
ZS108-EX-MG	F190	Z Series
ZS108-MG	F182	Z Series
ZS109	F178	Z Series
ZS109CR	F184	Z Series
ZS109CR-EX	F192	Z Series
ZS109-EX	F186	Z Series
ZS109-EX-MG	F190	Z Series
ZS109-MG	F182	Z Series
ZS110	F178	Z Series
ZS110-EX	F186	Z Series
ZS110-EX-MG	F190	Z Series
ZS110-MG	F182	Z Series
ZS111	F178	Z Series
ZS111-EX	F186	Z Series
ZS111-EX-MG	F190	Z Series
ZS111-MG	F182	Z Series
ZS201	F178	Z Series
ZS201-EX	F186	Z Series
ZS202	F178	Z Series
ZS202-EX	F186	Z Series
ZS203	F178	Z Series
ZS203-EX	F186	Z Series
ZS203-EX-MG	F190	Z Series
ZS203-MG	F182	Z Series
ZS205	F178	Z Series
ZS205-EX	F186	Z Series
ZS205-EX-MG	F190	Z Series
ZS205-MG	F182	Z Series
ZS208	F178	Z Series
ZS208CR	F184	Z Series
ZS208CR-EX	F192	Z Series
ZS208CR-EX-MG	F194	Z Series
ZS208-EX	F186	Z Series
ZS208-EX-MG	F190	Z Series
ZS208-MG	F182	Z Series
ZS209	F178	Z Series
ZS209CR	F184	Z Series
ZS209CR-EX	F192	Z Series
ZS209CR-EX-MG	F194	Z Series

INTRODUCTION

NUMERIC INDEX

Part #	SEC./PG	PROD. GRP.
ZS209-EX	F186	Z Series
ZS209-EX-MG	F190	Z Series
ZS209-MG	F182	Z Series
ZS210	F178	Z Series
ZS210CR	F184	Z Series
ZS210CR-EX	F192	Z Series
ZS210CR-EX-MG	F194	Z Series
ZS210-EX	F186	Z Series
ZS210-EX-MG	F190	Z Series
ZS210-MG	F182	Z Series
ZS211	F178	Z Series
ZS211CR	F184	Z Series
ZS211CR-EX	F192	Z Series
ZS211-EX	F186	Z Series
ZS211-EX-MG	F190	Z Series
ZS211-MG	F182	Z Series
ZS308	F178	Z Series
ZS308CR	F184	Z Series
ZS308CR-EX	F192	Z Series
ZS308-EX	F186	Z Series
ZS308-EX-MG	F190	Z Series
ZS308-MG	F182	Z Series
ZS309	F178	Z Series
ZS309CR	F184	Z Series
ZS309CR-EX	F192	Z Series
ZS309CR-EX-MG	F194	Z Series
ZS309-EX	F186	Z Series
ZS309-EX-MG	F190	Z Series
ZS309-MG	F182	Z Series
ZS310	F178	Z Series
ZS310CR	F184	Z Series
ZS310CR-EX	F192	Z Series
ZS310CR-EX-MG	F194	Z Series
ZS310-EX	F186	Z Series
ZS310-EX-MG	F190	Z Series
ZS310-MG	F182	Z Series
ZS311	F178	Z Series
ZS311CR	F184	Z Series
ZS311CR-EX	F192	Z Series
ZS311CR-EX-MG	F194	Z Series
ZS311-EX	F186	Z Series
ZS311-EX-MG	F190	Z Series
ZS311-MG	F182	Z Series
ZS312	F178	Z Series
ZS312CR	F184	Z Series
ZS312CR-EX	F192	Z Series

Part #	SEC./PG	PROD. GRP.
ZS312CR-EX-MG	F194	Z Series
ZS312-EX	F186	Z Series
ZS312-EX-MG	F190	Z Series
ZS312-MG	F182	Z Series
ZS313	F178	Z Series
ZS313CR	F184	Z Series
ZS313CR-EX	F192	Z Series
ZS313-EX	F186	Z Series
ZS313-EX-MG	F190	Z Series
ZS313-MG	F182	Z Series
ZS314	F178	Z Series
ZS314-EX	F186	Z Series
ZS315	F178	Z Series
ZS315-EX	F186	Z Series
ZS411	F178	Z Series
ZS411-EX	F186	Z Series
ZS412	F178	Z Series
ZS412-EX	F186	Z Series
ZS413	F178	Z Series
ZS413-EX	F186	Z Series
ZS414	F178	Z Series
ZS414-EX	F186	Z Series
ZS415	F178	Z Series
ZS415-EX	F186	Z Series
ZS511	F178	Z Series
ZS511-EX	F186	Z Series
ZS512	F178	Z Series
ZS512-EX	F186	Z Series
ZS513	F178	Z Series
ZS513-EX	F186	Z Series
ZS514	F178	Z Series
ZS514-EX	F186	Z Series
ZS515	F178	Z Series
ZS515-EX	F186	Z Series
ZS516	F178	Z Series
ZS516-EX	F186	Z Series
ZS517	F178	Z Series
ZS517-EX	F186	Z Series
ZS518	F178	Z Series
ZS518-EX	F186	Z Series
ZS520	F178	Z Series
ZS520-EX	F186	Z Series
ZS615	F178	Z Series
ZS615-EX	F186	Z Series
ZS616	F178	Z Series
ZS616-EX	F186	Z Series

Part #	SEC./PG	PROD. GRP.
ZS617	F178	Z Series
ZS617-EX	F186	Z Series
ZS618	F178	Z Series
ZS618-EX	F186	Z Series
ZS619	F178	Z Series
ZS619-EX	F186	Z Series
ZS620	F178	Z Series
ZS620-EX	F186	Z Series
ZS621	F178	Z Series
ZS621-EX	F186	Z Series
ZS622	F178	Z Series
ZS622-EX	F186	Z Series
ZS623	F178	Z Series
ZS623-EX	F186	Z Series
ZS624	F178	Z Series
ZS624-EX	F186	Z Series
ZS719	F178	Z Series
ZS719-EX	F186	Z Series
ZS721	F178	Z Series
ZS721-EX	F186	Z Series
ZS722	F178	Z Series
ZS722-EX	F186	Z Series
ZS723	F178	Z Series
ZS723-EX	F186	Z Series
ZS724	F178	Z Series
ZS724-EX	F186	Z Series
ZS725	F178	Z Series
ZS725-EX	F186	Z Series
ZS819	F178	Z Series
ZS819-EX	F186	Z Series
ZS822	F178	Z Series
ZS822-EX	F186	Z Series
ZS823	F178	Z Series
ZS823-EX	F186	Z Series
ZS824	F178	Z Series
ZS824-EX	F186	Z Series
ZS825	F178	Z Series
ZS825-EX	F186	Z Series
ZS826	F178	Z Series
ZS826-EX	F186	Z Series
ZS827	F178	Z Series
ZS827-EX	F186	Z Series
ZS828	F178	Z Series
ZS828-EX	F186	Z Series
ZS829	F178	Z Series
ZS829-EX	F186	Z Series

Hazardous Locations

Hazardous Locations include areas where the risk of a fire or explosion may exist due to the presence of flammable gases, vapors or liquids, combustible dust, or easily ignitable fibers or flyings. While these materials can be found almost anywhere, they are usually present in quantities far less than what is required for a fire or explosion hazard to occur.

Since the broad definition of hazardous location includes any location where these materials are processed, handled, or used areas are defined based on a risk assessment that considers the amount of material that may be present in the air in sufficient quantities for an explosion to occur. A simple example would be an outdoor propane grill that “uses” propane cylinders as the heat source, the grill and surrounding areas are not classified as a hazardous location because the risk of an explosion occurring is negligible. However, a facility that fills propane cylinders would be due to the filling process and volume of gas present.

The terms used to define hazardous areas identified in Codes and Standards for electrical installations:

- International Electrotechnical Commission® (IEC) uses the term “Explosive Atmospheres”.
- The National Electrical Code® (NEC) uses the term “Hazardous (Classified) Locations”.
** US Standards use the term “Explosive Atmospheres” for Zone Equipment and Hazardous Locations for Class/Division Equipment.*
- Canadian Electrical Code® (CE Code) uses the term “Explosive Atmospheres” for the Zone System (Sections 18 and 20) and equipment and Hazardous Locations for the Class/Division System (in Annex J18 and J20) and equipment.

From an electrical installation perspective, areas identified as hazardous locations do not include all “explosive materials”. The NEC®, CE Code® and IEC® specifically exclude high explosives such as propellants, explosives, munitions, peroxides, oxidizers, pyrophoric, and pyrotechnics materials (such as fireworks) and water-reactive elements or compounds.

NOTE: There are National regulations that address the manufacturing, handling and use of high explosives. While some regulations may mandate the use of electrical equipment suitable for hazardous locations, it is simply to provide a higher level of safety than general-purpose equipment. Hazardous location electrical equipment is not designed or tested to withstand the risks associated with high explosives.

Area Classification

All facilities that process, handle, or use flammable gases, vapors or liquids, combustible dusts, or ignitable fibers or flyings are required to have an area classification performed and documented. (The specific rules, applicable Codes and Standards, other requirements and legislation depends on the local authority having jurisdiction over such facilities).

Area classification is essentially a risk assessment. It is a detailed evaluation that considers multiple factors such as the materials expected to be present, their physical properties, ignition temperatures, sources of release, velocity of release, dispersion patterns, mitigation measures (such as ventilation and gas detection), surrounding atmosphere and wind patterns, etc. and lightning protection.

Several industry guidelines recommend area classification be carried out by those who understand the properties of flammable materials and those familiar with the process and the equipment in consultation with safety, electrical, mechanical and other qualified engineering personnel. In some jurisdictions, those performing the area classification are required to have third party credentials (e.g., IECEx CoPC, CompEx, etc.) to verify that they are competent to perform this task. In all cases, common sense, experience and sound

engineering judgement are extremely important when defining and documenting an area classification.

An accurate area classification is critical for selecting electrical equipment that is suitable for the location, determining the appropriate installation requirements, defining any mandatory maintenance procedures, personnel health and safety requirements, issuing work permits, vehicle access, etc.

While not a complete list, the following are examples of commonly used documents that provide guidance on area classification:

- **For explosive gas atmospheres:** American Petroleum Institute (API) RP 500 and RP 505, National Fire Protection Association (NFPA) 497, IEC 60079-10-1, Energy Institute Code of Practice (Part 15)
- **For explosive dust atmospheres:** NFPA 499, 654, and IEC 6007910-2
- **For specific types of facilities with explosive atmospheres:** NFPA 664 (Prevention of Fires and Explosions in Wood Processing and Woodworking Facilities), NFPA 829 (Standard for Fire Protection in Wastewater Treatment and Collection Facilities), ANSI/CAN/UL/ULC 1389 (Plant Oil Extraction Facilities i.e., Cannabis Operations).

General Information on Hazardous Locations

Electrical codes and equipment standards for hazardous locations have evolved into two different systems.

In North America, hazardous areas were first identified in the electrical codes in the 1920s and in the 1930s the “Class/Division System” was introduced. Similar systems emerged in other countries around the same time. Work began by the International Electrotechnical Commission® (IEC) on a different system in the 1960s that used the term “Zone” that is different than the Class/Division systems.

The Class/Division System separates hazardous locations into three “Classes” based on physical properties of the material that may be present. Each “Class” is separated into two “Divisions” based on the risk that the explosive material is present in sufficient quantities for an explosion to occur. It further separates the materials into multiple “Groups” based on their physical properties. In contrast, the Zone System separates the same materials into two material types, “gases” and “dusts”, and defines three areas of risk that the explosive material is present in sufficient quantities for an explosion to occur.

While there are some slight country specific differences, the rest of the world uses the “Zone System” which is based on the IEC 60079 Series of Standards.

The United States and Canada are similar (but not identical) in their hazardous area requirements, including area classification, product standards and acceptable wiring methods. While specific requirements differ, both the United States and Canada have incorporated the IEC Zone System of Area Classification into their electrical codes.

Both the Class/Division system and Zone system provide effective solutions for electrical equipment used in hazardous locations and both have excellent safety records.

In the United States, NEC Articles 500 through 517 contain the installation Rules for Hazardous (Classified) Locations which permits the use of either the Division System or Zone System.

HAZARDOUS LOCATION DATA

In Canada, the Canadian Electrical Code (CE Code), Part 1 – Section 18 contains the installation Rules for Explosive Atmospheres and mandates the use of the Zone system for all new construction. Facilities constructed before the introduction of the Zone System, are permitted to continue using the CE Code, Part 1 – Annex J18 that addresses the Class/Division System.

The introduction of the Zone System into both the NEC and CE Code identified areas using “Class-Zone” to align with “Class/Division”. In 2015, the CE Code removed the term “Class” when referring to the “Zone” System, the NEC followed in 2020. Both Codes continue to use “Class” when referring to Class/Division locations.

Class/Division System – Material Definition

Class I - locations are those in which flammable gases, flammable liquid-produced vapors, or combustible liquid-produced vapors are or may be present in the air in quantities sufficient to produce explosive or ignitable mixtures.

Class II - locations that are hazardous because of the presence of combustible dust.

Class III - location in which easily ignitable fibers/flyings are handled, manufactured, or used.

Zone System – Material Definition

Explosive Atmospheres – mixture with air, under atmospheric conditions, of flammable substances in the form of gas, vapor, dust, fibers, or flyings which, after ignition, permits self-sustaining propagation.

Explosive Gas Atmospheres – a mixture with air, under atmospheric conditions, of flammable substances in the form of gas, vapor, or mist in which, after ignition, combustion spreads throughout the unconsumed mixture.

Explosive Dust Atmosphere – mixture with air, under atmospheric conditions, of flammable substances in the form of dust, fibers, or flyings which, after ignition, permits self-sustaining propagation.

NOTE: The Zone System for Explosive Dust Atmospheres incorporates Class III easily ignitable fibers/flyings.

The table below provides a simple comparison between the “Class/Division” System and the “Zone” System.

EXPLOSIVE ATMOSPHERE	CLASS/DIVISION SYSTEM	ZONE SYSTEM
Gases and Vapors	Class I	Explosive Gas Atmospheres, Zones 0, 1 and 2
Combustible Dusts	Class II	Explosive Dust Atmospheres, Zones 20, 21 and 22
Easily Ignited Fibers & Flyings	Class III	

General Properties of Hazardous Location Materials

Simply because hazardous location materials are present does not mean that the conditions necessary for an explosion to occur also exist. With explosive materials several other factors must occur simultaneously to result in an explosion. Larger dust particles are referred to as fibers and flyings. While there is no serious risk of an explosion with fibers and flyings, if sufficient material is present, there is the risk of a flash fire, which spreads at near explosive speeds.

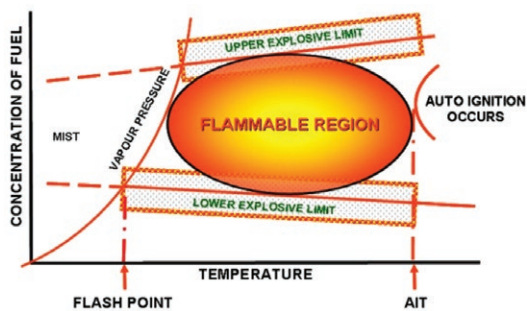
Although there is the risk of an explosion with both explosive gas and dust materials, the factors required for that to occur are somewhat different. In both cases the material needs to mix with air (to provide the oxygen required), be in specific fuel to air concentrations (flammable limits), and then encounter an ignition source with sufficient energy to start an explosion.

The physical properties of gases and vapors allow them to easily mix with air whereas dusts tend to settle on surfaces. If gas is released into the atmosphere it can rise, settle, or linger in the air around, based on the vapor density, and dispersion depends on the air movement in the area. For a dust to form an explosive cloud it needs to be suspended. This can take place in process equipment, leaking equipment, or by strong air movement which could be caused by a smaller explosion.

HAZARDOUS LOCATION DATA

Flammable Limits

With all flammable gases or vapors there is a minimum and maximum concentration in oxygen (air) beyond at which an explosion cannot occur. These minimum and maximum concentrations are called the flammable or explosive limits. If the mixture has too little fuel (a lean mixture) or if there is too much fuel (a rich mixture), it cannot be ignited or cause an explosion. The flammable limits of gases and vapors are usually measured in percentage in air, by volume and referred to as the lower explosive limit (LEL) and upper explosive limit (UEL). Some materials have very broad flammable limits, whereas others have very narrow flammable limits.



While combustible dusts suspended in air have measurable lower flammable limits, there is no finite upper limit; even as the dust approaches the density of the solid material from which it originates. The lower explosive limit for combustible dust suspended in air is usually so dense that visibility beyond one or two meters is impossible. The lower flammable limit of dust air mixtures is usually measured in ounces per cubic foot.

Oxygen

For an explosion to occur oxygen must be present and be mixed within the explosive limits of a fuel. While sufficient oxygen is usually available in the air around us, it is not the only source. For example, a mixture of the (now seldom used) aesthetic gases, ethyl ether, and nitrous oxide can produce violent explosions because oxygen is provided by the nitrous oxide.

If the oxygen concentration exceeds that normally found in air (21% by volume) flammable limits are normally expanded and the ignition energy needed to cause an ignition decreases. An explosion with increased oxygen is often considerably more violent than if the oxygen concentration had been the same as in air.

The Fire Triangle

For a fire or explosion to occur, three conditions must exist in the correct combination.

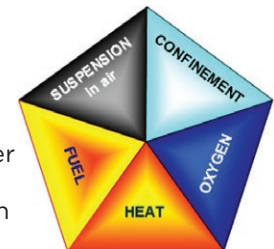


- There must be a fuel (flammable gas or vapor) in ignitable quantities
- There must be an ignition source (heat or a spark) with sufficient energy to cause the material to ignite
- There must be oxygen present (e.g., oxygen in air)

By removing any one or more of these three components, it is impossible for a fire or explosion to occur. This is the basis of the various methods of protection used in the design of electrical equipment permitted for use in hazardous locations.

The Dust Pentagon

The fire triangle indicates the conditions required for combustion for gases and vapors. Dust explosions however require two other factors to sustain an explosion: suspension and containment. This is called the Dust Pentagon.



- There must be a fuel (combustible dust) in ignitable quantities
- There must be an ignition source (heat or spark) with sufficient energy to cause the material to ignite
- There must be oxygen present (e.g., oxygen in air)
- The dust must be suspended in air
- The area must be confined (e.g., inside a building)

While dust that is not suspended in air may pose fire risk, it will not normally explode. Catastrophic dust explosions differ from those involving gases and vapors. With dust, a fire could result in an initial explosion in processing equipment or confined location (such as a dust collection system). This can cause any accumulations of dust in the area to become dispersed in the air which would result in a secondary, far more powerful explosion. Should subsequent explosions occur, the dust dispersion could increase, and intensity of the explosions also increases.

As with the Fire Triangle, eliminating of one of the components of the Dust Explosion Pentagon can prevent an explosion from happening. In most Class II locations, the elimination of oxygen or confinement by buildings or process equipment is difficult to eliminate. However, the other components of the Dust Pentagon can be controlled through proper design, operation and maintenance. Good housekeeping is extremely important in the prevention of dust explosions.

Hazardous Location – Area Classification for Explosive Gas Atmospheres

Class I locations are those in which flammable gases vapors or mists are, or may be, present in the air in quantities sufficient to produce explosive or ignitable mixtures.

Hazardous Locations or Explosive Gas Atmospheres are defined as those in which flammable gases or vapors are, or may be, present in the air in quantities sufficient to produce an explosive gas atmosphere. The use of the two similar terms, 'gas' and 'vapor' is intended to differentiate between a gas as being in the gaseous state such as hydrogen or methane, and a vapor that flashes off (rises) from a liquid such as gasoline under normal atmospheric conditions.

General

The subdivision of Class I locations into Zones or Divisions is based on the probability of an explosive material being present in sufficient quantities for an explosion to occur. If the risk is extremely low, the location may be considered a non-hazardous location. A good example of a low-risk area is a family residence that uses a natural gas or propane furnace for heating. The gas could, and on extremely rare occasions does, leak into the home and encounter an ignition source which can result in an explosion, often with devastating consequences. However, since the risk is so low, because of the safety systems built into the gas supply and equipment, these areas are not classified as "hazardous locations".

Unclassified Locations

The NEC defines these locations as those *"determined to be neither Class I, Division 1; Class I, Division 2; Zone 0; Zone 1; Zone 2; Class II, Division 1; Class II, Division 2; Class III, Division 1; Class III, Division 2; Zone 20; Zone 21; Zone 22; nor any combination thereof."*

The American Petroleum Institute (API) adds to this, *"there are locations that contain explosive gases or vapors that are not necessarily classified. This would include all-welded closed piping systems or continuous metallic tubing without valves, flanges and containers or vessels used for storage or transport of materials that are Department of Transport (DOT) approved for that purpose."*

Ordinary locations (CE Code)

The Canadian Electrical Code uses the term "Ordinary Locations" instead of "Unclassified Locations". The CE Code defines "Ordinary Locations" as "a dry location in which, at normal atmospheric pressure and under normal conditions or use, electrical equipment is not unduly exposed to damage from mechanical causes, excessive dust, moisture, or extreme temperatures, and in which electrical equipment is entirely free from the possibility of damage through corrosive, flammable, or explosive atmospheres."

The CE Code also identifies Damp, Dry, Outdoor and Wet Locations which are also "unclassified locations".

Class I, Division System Area Classification Definitions

Class I, Division 1

Class I, Division 1 locations are defined as those in which hazardous concentrations of flammable gases or vapors exist continuously, intermittently, or periodically under normal operating conditions. This is a very broad definition as there are no times associated with (intermittently) or (periodically), so it is open to interpretation.

Class I, Division 1 also includes areas where explosive material may exist frequently due to regular repair or maintenance operations, normal leakage, and locations where the breakdown or faulty operation of electrical equipment or processes may release ignitable concentrations of flammable gases or vapors.

An example of such a location might be an area where a flammable liquid is stored under cryogenic conditions. A leak of the extremely low temperature liquid directly onto electrical equipment could cause failure of the electrical equipment. Simultaneously, vapors from the evaporating liquid could be within the flammable range.

HAZARDOUS LOCATION DATA

Class I, Division 2

Class I Division 2 areas are defined as “areas where flammable volatile liquids, flammable gases, or vapors are, processed, handled or used, but in which the liquids, gases, or vapors are normally confined within closed containers or closed systems from which they can escape only as a result of accidental rupture or breakdown of the containers or systems or the abnormal operation of the equipment”. Or, “where hazardous concentrations of gases or vapors are normally prevented by positive mechanical ventilation, but which may become hazardous as the result of failure or abnormal operation of the ventilating equipment”.

Zone System (Explosive Gas Atmospheres) Area Classification Definitions

Zone 0

Areas in which an explosive gas atmosphere is present continuously, or for long periods, or frequently

NOTE: Zone 0 would include the most dangerous areas defined as Class I, Division 1. Some documents recommend against the use of electrical equipment in certain Class I, Division 1 locations.

Zone 1

Areas in which an explosive gas atmosphere is likely to occur occasionally in normal operation

NOTE: Zone 1 is similar to the majority of Class I, Division 1 locations but excludes the highest risk locations. By omitting Zone 0 locations, Zone 1 allows for other types of equipment protection to be used.

Zone 2

Areas in which an explosive gas atmosphere is not likely to occur in normal operation, but if it does occur, will persist for a short period only

NOTE: These locations are basically identical to Class I, Division 2 locations.

Comparing the Class/Division and Zone System Area Classification for Explosive Gas Atmospheres

Both Class/Division and Zone area classification is based on “normal operation” and do not consider “catastrophic failures”.

Class I, Division 1, Zone 0, and Zone 1 all represent the areas with highest probability that an explosive gas atmosphere may develop in normal operation. Class I, Division 1 identifies areas where the hazard is expected to occur during normal operation and will be present continuously, periodically, or intermittently.

The Zone System Area Classification separates Class I, Division 1 into two different Zones based on how long the material is expected to be present and the associated risks. Zone 0 areas are those where the material is expected to be present continuously. Zone 1 areas are those where the material is expected to be present periodically or intermittently.

NOTE: The definitions for continuously, periodically, and intermittently are somewhat subjective. There are multiple documents to assist users in developing an area classification for the Class/Division System. Some documents for the Zone System include guidelines based on hours per year to define the various Zones. In all cases, sound engineering judgement and experience are important.

The lower risk areas of Class I, Division 2 and Zone 2 are basically identical. Both consider areas where the material is not expected to be present in sufficient quantities for an explosion to occur under “normal operating conditions” and if a release does occur it will exist only for a “short period of time”. Again, what constitutes abnormal conditions and short period of time can be somewhat subjective.

Although the hours identified in the Zone System could be applied to the Class/Division system, these are not intended as absolute numbers. For example, while an area where the material is in explosive range more than 1000 hours per year would be identified as Zone 0, that doesn't mean an area that is likely to be in the same range for over 900 hours per year should be identified as Zone 1. Similarly, if the probability of a gas release in a building was extremely low, it would likely be identified as Zone 2 based on the 10 hours per year limit. However, for unmanned facilities in remote locations, it would likely take longer than ten hours for personnel to reach the location to take corrective action which would justify a higher area classification.

INTRODUCTION

HAZARDOUS LOCATION DATA

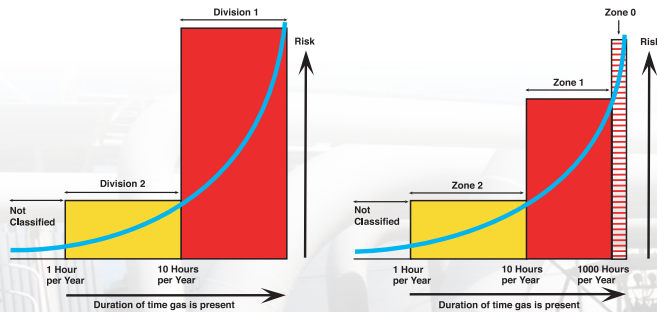
It is also important to consider the boundaries between hazardous areas. Zone 2 or Division 2 locations normally exist adjacent to Zone 1 or Division 1 locations (unless separated by an impervious barrier or partition). If the area classification depends on artificial ventilation, a failure of the system would allow the flammable material to migrate into lower classified or even unclassified locations.

TYPE OR GRADE OF RELEASE	ZONE	FLAMMABLE MIXTURE PRESENT
Continuous	0	1000 hours per year or more (10%)
Primary	1	Between 10 and 1000 hours per year or more (0.1% to 10%)
Secondary	2	Less than 10 hours per year (0.01% to 0.1%)
Unclassified		Less than 1 hour per year (Less than 0.01%)*

The above is a combination of Tables 2 and 3 from API RP505

*Some controversy surrounds the 1 hour per year figure. The IEC does not define hours per year.

The illustrations below compare the similarities and differences between the Division System and the Zone System. Essentially, the greater the amount of material involved or longer the time it is present, the higher the risk.



The key difference between the two systems is that the Zone system looks at the areas with the highest level of risk. Over 1000 hours per year is identified as “Zone 0”, and 10 to 1000 hours per year as “Zone 1”. The Class I, Division 1 higher risk areas are the combination of Zones 0 and 1. The criteria used to identify the lower risk areas of Zone 2 and Division 2 is virtually identical.

The table below provides a comparison between the “Class/Division” System and the “Zone” System.

CLASS I	DIVISION SYSTEM	ZONE SYSTEM	NOTES:
Gases and Vapors	Division 1	Zone 0	Zone 0 locations are a typically less than 1% of hazardous locations in a facility.
		Zone 1	While the wiring practices and acceptable products differ, Zone 1 encompasses most of Class I, Division 1.
	Division 2	Zone 2	Zone 2 and Class I, Division 2 are essentially the same

Hazardous Location – Gas Material Groups

In terms of physical properties, each gas has specific properties that includes ignition temperature, flash point, flammable limits, minimum ignition energy and specific gravities (how they move in air). Gases or vapors are categorized by two common factors; the minimum amount of energy required for them to ignite, and the maximum gap, between two flat surfaces, an exploding gas can pass through without igniting a surrounding atmosphere of the same gas.

Minimum Ignition Energy (MIE) is the minimum energy input required to initiate combustion. This is the smallest amount of energy stored in a capacitor that when discharged across a spark gap can ignite a stoichiometric mixture of the gas. All hazardous location materials have a minimum ignition energy that is specific to its chemical or mixture, the concentration, pressure, and temperature.

Minimum Ignition Current (MIC) is the smallest amount of current flowing in a circuit that will cause a spark when the current flow is interrupted which cause an explosion in a fuel oxygen mixture. Minimum ignition current can come from multiple sources which includes discharge of a capacitive circuit, interruption of an inductive circuit, intermittent making and breaking of a resistive circuit, or hot wire fusing. If the MIC of a material is known, electrical circuits can be designed so that any sparks created do not have enough energy to cause an explosion. Controlling the spark energy is the basic concept in intrinsically safe and non-inductive equipment.

Maximum Experimental Safe Gap (MESG) is maximum spacing between flat surfaces of a specified width in experimental test equipment that will prevent the propagation of an explosion from inside the explosion test chamber to a surrounding flammable atmosphere. The MESG is determined using a testing chamber such as the Westerberg Explosion Test Vessel. A similar, but not identical, method to determine MESG is defined in IEC 60079-20-1 (*Material characteristics for gas and vapor classification - Test methods and data*).

While there are slight discrepancies between the North American and IEC values, the intent is basically the same. The reasons for the differences are the introduction of new test parameters and rounding. When North America adjusted their evaluation methods, the definition for some materials also changed. The committees responsible for those changes decided not to reclassify the materials. This is the primary reason some gases in the division system are not aligned with those in the Zone system.

While an area classification is based on the specific types of material present, electrical equipment is tested and approved for use in multiple explosive gas atmospheres. Without gas groups, the certification of electrical equipment would be extremely difficult, and the cost would be prohibitive.

This allows multiple gasses and vapors to be “grouped” together based on their “Minimum Igniting Current (MIC) Ratio” and the “Maximum Experimental Safe Gap (MESG)” between surfaces that will allow an explosion to propagate from a contained atmosphere, such as an enclosure, to an outer atmosphere. These are measured based on the “most easily ignited” or “stoichiometric” gas-air mixture ratio. The ignition energy required increases as the percent air/mixture ratio deviates from the stoichiometric ratio.

The grouping is therefore based on the two key factors; maximum gap an exploding gas can pass through is based on laboratory tests performed in an apparatus, which varies both the width and gap of a joint and the pressure rise caused by an explosion.

HAZARDOUS LOCATION DATA

Class/Division – Material (Gas) Groups (Groups A, B, C, & D)

Material identification

Group A

The highest explosion pressures of the materials grouped are generated by acetylene, the only material in Group A. Thus, explosionproof equipment designed for Group A must be very strong to withstand the explosion pressures generated and must have a very small gap between joint surfaces. Equipment suitable for Group A is more difficult to design, resulting in less explosionproof equipment listed for this Group than other Groups.

Group B

Group B materials produce lower explosion pressures than acetylene. This allows explosionproof enclosures for Group B to be less robust than those designed for Group A. Because of the high explosion pressures in Groups A and B, and the small gaps permitted between mating surfaces to prevent propagation of an explosion, there are no explosionproof motors listed for use in either Group A or B locations.

Group C

The chemical materials in Group C fall within the range between Groups B and D in both the explosion pressures generated and the gap between mating surfaces of explosion proof equipment that will prevent an explosion.

Group D

Group D is the most common group encountered in the field, and there is more equipment available for this group than for any other group.

Zone System – Material (Gas) Groups (IIC, IIB, IIB+H2 & IIA)

Zone Gas Groups General information

The Zone gas groups are based on the IEC and prefixed by “II” which means equipment intended for surface industries. The prefix “I” identifies equipment intended for underground coal mining. Since the NEC does not deal with mining; references to “I” are excluded.

Group IIC

(Basically, the combination of the Division system Groups A and B) includes materials such as acetylene, butadiene, propylene oxide, carbon disulphide or hydrogen or other gases or vapors of equivalent hazard. The majority of Zone equipment is designed for IIC.

Group IIB

(Basically, the same as Division System Group C) includes materials such as cyclopropane, diethyl ether, ethylene, ethylene oxide, hydrogen sulfide, or unsymmetrical dimethyl hydrazine (UDMH), or other gases or vapors of equivalent hazard.

Group IIB +Hydrogen (or IIB+H2)

The identification of Group IIB +Hydrogen excludes acetylene and equates to the Division System Group B definition. The issue was that acetylene explosion will propagate through any flat joint. Group IIB+H2 was introduced to allow for enclosure for hydrogen atmospheres that do not propagate through properly designed flat joints.

Group IIA

(Basically, the same as Division System Group D) includes materials such as acetaldehyde, acetone, alcohol, ammonia, benzene, butane, gasoline, hexane, isoprene, lacquer solvent vapors, natural gas, propane, propylene, styrene, vinyl chloride, xylenes, or other gases or vapor of equivalent hazard.

HAZARDOUS LOCATION DATA

Comparing Class/Division & Zone System Gas groups

The first definitions of flammable gases in North American Standards appeared in 1935 and were based on theoretical calculations. In the 1960s an engineer at UL developed an instrument called the Westerberg Explosion Test Vessel that could vary gap and joint width dimensions of a chamber to perform an actual test. In the early 1970s, the IEC® developed a different test vessel that could perform the same test. Although most of the results were similar, they were not identical. Both Systems grouped materials based on the test results.

In the 1997 Edition of NFPA 497 a new method to estimate the group classification of a mixture was introduced. While some materials, mostly Groups C and D, no longer met the new definitions exactly, based on the safety of historical practices, the standard committee decided not to reclassify them.

This results in slight differences in how gases are identified in the Zone system versus the same gas in the Division System. For purposes of increasing equipment selection in North America, the area classification should identify both the Zone and Division gas group.

GAS GROUPS	
DIVISION	ZONE
A	IIC
B	
B*	(IIB + H ₂)
C	IIB
D	IIA

* Added to accommodate equipment that excluded acetylene atmospheres

COMPARISON OF DIVISION AND ZONE SYSTEM GAS GROUPS EVALUATION					
DIVISION SYSTEM			ZONE SYSTEM		
Group	MESG (mm)	MIC Ratio	Group	MESG (mm)	MIC
Not Classified	< 0.076 (e.g. Carbon Disulphide)		IIC	≤ 0.50	≤ 0.45
A	Acetylene (Has same MESG and MIC Ratio as group B, but generates much higher explosive pressures)				
B	> 0.076	≤ 0.40	IIB	> 0.50	> 0.45
	≤ 0.45				
C	> 0.45	> 0.40	IIA	≤ 0.90	≤ 0.80
	≤ 0.75	≤ 0.80			
D	> 0.75	> 0.80		> 0.90	> 0.80

HAZARDOUS LOCATION DATA

Hazardous Location – Temperature Considerations

Ambient Temperature

The ambient temperature is the surrounding temperature of the environment in which a piece of equipment is installed, whether it is indoors or outdoors. Certain heat producing equipment such as lighting fixtures list a Temperature Code or T-Code at a given ambient temperature. (See below)

A heat producing product is considered acceptable for the location, provided the minimum ignition temperature of the hazardous material present and the ambient temperature of the location do not exceed the limits set by the manufacturer. If the ambient temperature is higher than the maximum stated on the name plate, it might still be acceptable to use the product under certain conditions, provided the minimum ignition temperature of the hazardous material has not been exceeded. In all cases, consult the factory for assistance.

Operating Temperature

The rated operating temperature for hazardous (classified) products is determined by conducting laboratory test in an ambient temperature of 40°C. Products certified by the various agencies consider products certified to their standards to be suitable for different temperature ranges. The range for UL is -25°C to +40°C, the range for CSA is -50°C to +40°C, and the range for IEC is -20°C to +40°C.

Temperature Code or T-Code

The “*Temperature Code*” or “*T-Code*” identifies the hottest surfaces of a product, measured during testing, that could encounter an explosive atmosphere.

The autoignition temperature (AIT) is the minimum temperature that will cause an explosive material to ignite without a spark or flame. The lowest published ignition temperature for a material is used to determine the acceptability of equipment.

Use of the T-Code allows the user to select equipment for multiple hazardous materials that may have different autoignition temperatures. In some cases, the NEC requires the T-Code marked on a product to be reduced by 80% for additional safety. In North America, a T-Code must be marked on all equipment where any exposed surface exceeds 100°C. This is different to IEC (Zone) equipment where the T-Code is always marked on the product.

There is a relationship between the ambient temperature where the equipment is being used and the T-Code and the various product Standards identify a specific ambient temperature range for which the equipment is suitable. Products are often tested for a different ambient temperature based on market need. For example, the standard ambient temperature range for Zone equipment is -20°C to +40°C but it is common to find equipment suitable for a different range such as -50°C to +60°C.

All heat-producing electrical equipment such as lighting fixtures, motors, electrical trace heating, etc. must operate below the autoignition temperature of the explosive materials in the surrounding area.

Where a product does not align with ambient range, there is a somewhat linear relationship between it and T-Code that is occasionally considered. For example, a product that indicates T-2 (300°C) at a 40°C ambient would increase the surface temperatures to approximately 310°C at a 50°C ambient, which might be acceptable to the user in certain cases. This is only a rule of thumb and does not consider the effect of a higher ambient on the performance or life of the product. Operating equipment above the maximum ambient temperature marked on the product should not be done without consulting the manufacturer.

The T-Codes used in the Division System are slightly different from those in the Zone System. While the basic numeric values are identical, the Division System has additional temperature levels which are not used in the Zone System. Internationally only Canada permits the use of the additional levels for both Division and Zone locations.

TEMPERATURE CODES NEC(DIV.) & CEC (DIV./ZONE)	TEMPERATURE CODES (ZONES) NEC/IEC/ATEX	MAXIMUM TEMPERATURE	
		°C	°F
T1	T1	450	842
T2	T2	300	572
T2A	—	280	536
T2B	—	260	500
T2C	—	230	446
T2D	—	215	419
T3	T3	200	392
T3A	—	180	356
T3B	—	165	329
T3C	—	160	320
T4	T4	135	275
T4A	—	120	248
T5	T5	100	212
T6	T6	85	185

Hazardous Location – Area Classification for Explosive Dust Atmospheres

North America – General Information

The NEC and CE Code contain two systems that deal with combustible or explosive dusts. Similar to the Rules for explosive gas atmospheres, the NEC allows the user to use either the Class/Division System or Zone System. The CE Code mandates use of the Zone System for all new construction, with facilities constructed before the introduction of the Zone System for dust atmospheres being permitted to continue using the Class/Division Rules.

NEC Article 502 contains the Rules for areas classified using the Division System and Article 506 contains the Rules for the Zone System. The CE Code uses Section 18 for the Zone Rules and Annex J18 for the Division Rules.

Similar to Class I locations, Class II locations are separated into Divisions or Zones based on the likelihood combustible dust being suspended in the atmosphere in sufficient quantities to produce ignitable mixtures or where a failure or abnormal operation of equipment might produce a hazardous concentration of dust.

Unlike gases and vapors, particle size is a key factor in identifying Class II materials. The definition of a Class II dust is any finely divided solid material that is 420 microns or smaller in diameter (material passing through a No. 40 Standard Sieve) and presents a fire or explosion hazard when dispersed and ignited in air.

An example of the importance of particle size is wood; a log could burn but not explode, and the size of the wood decreases so does its ability to burn. When the wood reaches the size of a fine sawdust is it easier for it to become suspended in air at which point it can become highly explosive.

Class II, Division System Area Classification Definitions

Class II, Division 1

A Class II, Division 1 location is one where combustible dust is normally in suspension in the air in sufficient quantities to produce ignitable mixtures, or where mechanical failure or abnormal operation of equipment or machinery might cause an explosive or ignitable dust-air mixture to be produced and might also provide a source of ignition through simultaneous failure of electrical equipment.



Typical Class II Dust Location

Class II, Division 2

A Class II, Division 2 location is one where combustible dust is not normally in the air in quantities sufficient to produce explosive or ignitable mixtures, and dust accumulations are not normally sufficient to interfere with the normal operation of electrical equipment, such as clogging ventilating openings or causing bearing failure. It includes locations where combustible dust may be in suspension in the air only as a result of infrequent malfunctioning of handling or processing equipment, and those locations where dust accumulation may be on or in the vicinity of the electrical equipment and may be sufficient to interfere with the safe dissipation of heat from the equipment, or may be ignitable by abnormal operation or failure of the electrical equipment.

GUIDE TO CLASSIFICATION OF CLASS II LOCATIONS BY DIVISION*

THICKNESS OF DUST LAYER ON EQUIPMENT **	DUST GROUP	DIVISION
Greater than 1/8 in.	E, F, G	1
1/8 in or less but surface color not discernible	E	1
1/8 in or less but surface color not discernible	F, G	2
1/8 in or less and surface color discernible under dust layer	E, F, G	non-classified

* From NFPA 497B

** Based on build-up of dust level in a 24-hr period on the major portions of the horizontal surfaces.

HAZARDOUS LOCATION DATA

Zone System (Explosive Dust Atmospheres) Area Classification Definitions

The North American Class/Division system for dusts (Class II) is quite different to the IEC system for Explosive Dust Atmospheres. In 2005 the NEC added Rules for Explosive Dust Atmospheres in Article 506, and in 2015 the CE Code similar Rules to Section 18. Similar to how the adoption of IEC System for Explosive Gas Atmospheres the NEC permits use of either the Class/Division System or Zone System, whereas in Section 18 the CE Code mandates the use of the Zone System for all new construction and allows existing facilities to continue to use the Class/Division Rules in Annex J.

Perhaps the most significant difference between the systems is that the Zone system includes both Class II (dusts) and Class III (easily ignited fibers and flyings).

CLASS II SYSTEM DUST AND CLASS III FIBERS AND FLYINGS	ZONE SYSTEM FOR EXPLOSIVE DUST ATMOSPHERES
Class II, Divisions 1 & 2	Zones 20, 21, 22
Class III, Divisions 1 & 2	

Like the system for Explosive Gas Atmospheres, the Zone system for combustible dusts has three levels of hazard as opposed to the 2 levels of hazard in the Class/Division system.

Zone 20

Area in which an explosive atmosphere in the form of a cloud of combustible dust in air is present continuously, or for long periods or frequently.

Zone 21

Area in which an explosive atmosphere in the form of a cloud of combustible dust in air is likely to occur in normal operation occasionally.

Zone 22

Area in which an explosive atmosphere in the form of a cloud of combustible dust in air is not likely to occur in normal operation but, if it does occur, will persist for a short period only.



Hazardous Location – Gas Material Groups

Class II – Material (Dust) Groups (E, F and G)

Class II substances are divided into three groups for similar reasons to those of Class I materials, equipment design and area classification. Class II groups are based on different characteristics than those of Class I, given the requirements for an explosion to occur and the protection methods required for equipment. In Class II locations the ignition temperature, the electrical conductivity, and the thermal blanketing effect of the dust are critical when dealing with heat-producing equipment, such as lighting fixtures and motors. It is these factors which are the deciding factors in determining the Class II groups.

Group E

This includes metal dusts, such as aluminums and magnesium. These dusts are highly abrasive and can cause overheating in equipment such as motor bearings, and if allowed to enter an enclosure, metal dusts are likely to cause an electrical fault in the equipment. Since Group E dust have the potential to be the source of the equipment failure, source of ignition and fuel for an explosion simultaneously, any accumulation is normally considered to be Division 1.

Group F

These are carbonaceous, the primary dust in this group being coal dust. These dusts have somewhat lower ignition temperatures than those in Group E and a higher thermal insulating value than a layer of a Group E dust. Therefore, Group F dusts require careful control of the temperature on the surface of electrical equipment to prevent an explosion. Such dusts are semi-conductive, which is not usually an issue when dealing with equipment rated 600 volts or less.

Group G

This includes plastic dusts, most chemical dusts, and food and grain dusts. These are not electrically conductive. Group G dusts generally have the highest thermal insulating characteristics and the lowest ignition temperatures. Electrical equipment for use in Group G atmospheres must have very low surface temperatures to prevent ignition of a dust layer by the heat generated within the equipment.

While it is common for Class I products to be certified for use in Class II locations, it is not always the case. Given the different design requirements, equipment suitable for Class I locations are not necessarily suitable for Class II locations, nor is equipment suitable for Class II locations necessarily suitable for Class I locations. Equipment must be designed, approved and marked for use in specific hazardous locations.

Manufacturers typically develop equipment to suit a wide range of hazardous locations to be more cost effective. The equipment is marked as such and may have different temperature limitations on heat producing devices for different types of hazardous material. As always, care must be taken in selecting equipment for any hazardous location.

Temperature Restrictions

In Class II areas all products must operate at temperatures as shown below based on whether they are heat producing or subject to overloading or not and based on the Group which they fall under. Class III products in all cases must operate below 165°C.

TEMPERATURE RESTRICTIONS						
Class II Groups	EQUIPMENT THAT IS NOT SUBJECT TO OVERLOADING		EQUIPMENT (SUCH AS MOTORS OR POWER TRANSFORMERS)			
	°C	°F	NORMAL OPERATION		ABNORMAL OPERATION	
	°C	°F	°C	°F	°C	°F
E	200	392	200	392	200	392
F	200	392	150	302	200	392
G	165	329	120	248	165	329

HAZARDOUS LOCATION DATA

Zone System – Material (Dust) Groups (IIA, IIB, IIC)

Zone Dust Groups General information

The Zone explosive dust groups are based on the IEC and prefixed by “III”. Underground mining uses the same Dust Groups.

Note: the NEC does not deal with mining; references to “I” are excluded.

Group IIIC

Combustible dust with electrical resistivity equal to or less than $10^3 \Omega \cdot m$

NOTE: Metal dust is treated as conductive dust because it is assumed that surface oxidation cannot be depended upon to always ensure electrical resistivity greater than $1 \times 10^3 \Omega \cdot m$.

Group III includes metal dusts, such as aluminums and magnesium. These dusts are highly abrasive and can cause overheating in equipment such as motor

bearings, and if allowed to enter an enclosure, metal dusts are likely to cause an electrical fault in the equipment. Since Group IIIC dusts have the potential to be the source of the equipment failure, source of ignition and fuel for an explosion simultaneously, any accumulation is normally considered to be Zone O.

Group IIB

Non-conductive dust with electrical resistivity greater than $10^3 \Omega \cdot m$

Group IIB includes all non-conductive dust. This equates to most of the dusts identified as Class II Groups F and G.

Group IIA

Easily ignited fibers and flyings. Essentially this is “big” dust and includes all the materials identified as Class III. Group IIIA materials are not likely to be suspended in the air in sufficient quantities to produce an ignitable mixture. Group IIIA materials do not present an explosion hazard but they can support a flash fire.

Hazardous Location – Area Classification for Easily Ignitable Fibers or Flyings

Class III locations address the presence of easily ignitable fibers or flyings, but in which the fibers or flyings are not likely to be in suspension in the air in quantities sufficient to produce ignitable mixtures. While easily ignitable fibers and flyings do not present an explosion hazard, their presence increases the risk of a “flash fire” which can progress at near explosive speed. A typical example of this type of material is the cotton lint that accumulates in the lint trap of clothes dryers. Listed clothes dryers are designed so that even if the lint ignites, the fire will be contained within the dryer enclosure.

NOTE: Applies only to the Class/Division System. The equivalent to “Class III” locations are identified as a “Group IIIA” Explosive Dust Atmospheres in the Zone system

Class III, Division 1 Locations

Typical locations include facilities with equipment that produces ignitable fibers or flyings (textile mill machinery, for example) or where the material is collected and packaged (for example, where the material is placed into bags).

Class III, Division 2 Locations

Typical locations include facilities where easily ignitable fibers are stored or handled, that are separate from the manufacturing process.

Class III Material Groups

There are no Material Groups identified in the Class III System.

Explosive Dust Atmospheres – Comparing Division and Zone Dust Groups

The main difference between the two systems for combustible or explosive dusts is that the Zone System has only two dust groups as opposed to the Class/Division system that has three. The Zone system also includes what the Class/Division system identifies as Class III simply as a third Dust Group (IIIA). This means installation Rules in the NEC and CE Code for explosive dust atmospheres become the same for Class II and Class III. Using the Class/Division system, the Rules for Class III installations and equipment are less stringent than those used for Class II.

ZONE DUST GROUPS		
TYPE OF DUST	DIVISION DUST GROUP	ZONE DUST GROUP
Conductive dust	Class II, Group E	IIIC
Non-conductive dust	Class II, Groups F, G	IIIB
Combustible flyings	Class III Locations	IIIA

Equipment Standards for Hazardous Locations

Determining which type of equipment is acceptable for a specific hazardous location is predicated by a combination of the installation codes, certification requirements, user requirements and the authority having jurisdictions. The following is a brief outline of the types of equipment for each location. Details on equipment construction are provided in the next section.

Class/Division Equipment

Electrical equipment must be designed and manufactured so that it does not become a source of ignition when installed in a hazardous location. The NEC and CE Code are very specific on which types of equipment are permitted to be installed in the various hazardous locations and equipment must be certified or approved by a Nationally Recognized third-party Certification Body. The certification of equipment also addresses any NEC and CE Code installation requirements that may apply.

The US Occupational Health and Safety Administration (OSHA) registers Nationally Accredited Testing Laboratories (NRTL) that are approved to test and certify equipment to ANSI and other hazardous location Standards. The Standards Council of Canada (SCC) registers Certification Bodies (CB) to test and certify equipment to Canadian hazardous location Standards. In many cases, NRTLs and CBs are registered with both OSHA and SCC to simplify North American approvals. In both cases, acceptance of an NRTL or CB is determined by the Authority Having Jurisdiction (AHJ) responsible for the installation (AHJs do not always accept every NRTL or CB).

While Class/Division products are predominantly used in Canada and the US, other jurisdictions may permit their use. In some countries, North American companies are permitted to construct facilities using the Class/Division system and equipment. This needs to be confirmed with the local AHJ.

Class I, Division 1 Equipment

For Class I, Division 1 locations, most devices that produce ignition-capable arcs or temperatures must be installed in an explosionproof enclosure. The wiring system connected to these enclosures must be sealed (using explosionproof sealing fittings or cable glands) to prevent any internal ignition from escaping through the wiring connection(s). While the exceptions to this requirement are rare (examples such as oil immersed transformers, purged systems (to NFPA 496), submerged pumps with additional protective controls, etc.), and different product certification, installation rules and maintenance requirements often apply.

Low energy systems often specify Intrinsically Safe (or Intrinsic Safety) technology. The “Intrinsically Safe” or “Intrinsic Safety” (IS) concept involves more than simply the purchasing and installing of a single product. IS systems are an engineered solution which evaluates everything from the power source to the end device (including all components and wiring). Intrinsic Safety installations are addressed in NEC Articles 504 and 505 and CE Code Appendix F.

Class I, Division 2 Equipment

There are more options for equipment design in Class I, Division 2 locations. Certain types of industrial or “non-hazardous” equipment, such as terminals and

HAZARDOUS LOCATION DATA

non-sparking motors are permitted. This type of equipment does not need to be marked as suitable for use in Class I, Division 2 locations. For equipment that produces ignition-capable arcs or temperatures such as lighting fixture and control devices, a Class I, Division 2 approval is required. There are standards that are specific to Class I, Division 2 equipment and products approved for Zones (using CSA/UL 60079 standards) are permitted.

NOTE: Equipment that produces ignition-capable arcs or temperatures is often installed in Explosionproof or Flameproof (Ex d) enclosures to simplify certification. If such equipment is installed in a Class I, Division 2 location, it is important to understand that the installation Rules for Class I, Division 1 normally apply.

Class II, Division 1 Equipment

Class II, Division 1 equipment is designed to exclude dust from entering an enclosure and control the surface temperatures. There are multiple tests for gaskets, heat dissipation, impact, etc. that ensure the equipment can be safely used. The sealing requirements for equipment are quite different than those for explosionproof equipment since the objective is to keep dust out of the enclosure, not to prevent an internal explosion from escaping.

NOTE: The CSA and UL requirements for Class II certification are somewhat different. Although UL 1203 and CSA C22.2 No 25 are aligned, both include specific joint dimensions and testing requirements. The CSA Standard permits the use of IEC/CSA 60079-31 (which has different joint requirements and test requirements) as an alternate to those in CSA C22.2 No 25. Currently, UL 1203 does not accept UL 60079-31 in place of the legacy requirements.

Class II, Division 2 Equipment

The equipment requirements are much less stringent than those for Class II, Division 1. Both the NEC and CE Code permit devices that produce ignition-capable arcs or temperatures to be installed in “dust-tight” enclosures although the definition varies slightly. The NEC identifies Types 3, 3S, 3SX, 4, 4X, 5, 6, 6P, 12, 12K, and 13 enclosures as acceptable, whereas CSA only permits Types 4, 4X and 5 enclosures. For some products (such as lighting fixtures) the requirements for Class II, Division 1 and Class II, Division 2 products are basically the same, so products tend to be approved for both locations.

Class III, Equipment

There are no US or Canadian Standards that specifically address Class III locations. The key determination is to prevent materials entering equipment and temperature control. The Class III temperature maximum is 165°C

and gasketed enclosure/equipment that operates below that temperature could be approved.

Zone Equipment Standards

The IEC technical committee TC 31 is responsible for developing and maintaining approximately 100 IEC standards related to explosive atmospheres. This includes equipment standards, installation, maintenance and refurbishment requirements, non-electrical standards, area classification, material test methods, etc. Most of these standards are in the IEC 60079 Series and IEC 80079 Series.

Globally, Zone equipment is designed, tested and approved to the IEC 60079 Series of Standards. However, not all versions of these standards are identical. Many countries adopt IEC Standards but include “National Deviations” to address issues such as installation, certification, and other safety requirements which result in multiple versions of the same standard.

North American versions of the IEC 60079 Series include additional safety requirements and ensure products comply with the installation rules. The Canadian and US committees responsible for adopting the IEC 60079 Series attempt, whenever possible, to avoid any technical differences between the CSA and UL versions.

The EU uses parallel voting that allows them to adopt IEC standards as EN Standards which rarely include National Deviations.

Recently, requirements for mechanical protection were included in the IEC 80079 Series of Standards (based on EN Standards). These are used in conjunction with IEC 60079 Series for product certification. North America has not included these requirements at this time.

Zone Equipment based on IEC 60079 Series

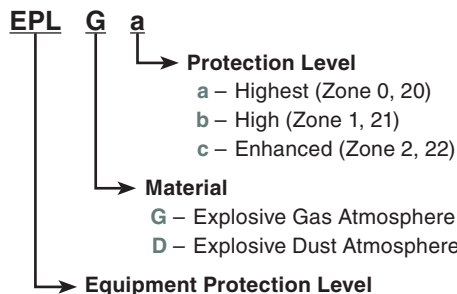
The Zone system is a bit different to the Class/Division system. The Class/Division system marks product with the specific location where it may be used whereas the Zone system isn't always as clear. Zone products are approved for a “Type of Protection” and marked accordingly. The installation Codes then identify which Types of Protection are suitable for each hazardous location. This means a product approved for example as “flameproof” Ex d would be marked with the protection method, material Group and T-Code (e.g., Ex d IIC T6) and the user determines where it may be used. This becomes complicated when multiple Types of Protection are used in a single product (e.g., Ex d,e,m,q IIC T6). (US Standards require the addition of appropriate Zone suitability, Canada does not.)

HAZARDOUS LOCATION DATA

To simplify the marking, the IEC 60079 Standards added “Equipment Protection Levels” (EPL) which includes a “Level of Protection” to identify which Zone the equipment is suitable for. EPL uses “G” for Explosive Gas Atmospheres and “D” for Explosive Dust Atmospheres. There are three Levels of Protection that define the Zone suitability (a, b, c). (Unlike the material classification where “C” is the highest level of protection, with EPL “a” is the highest level of protection).

NOTE: IEC 60079 Standards also identify an EPL equipment for use in Explosive Atmospheres in Mines Susceptible to Firedamp as “M”. Mining installations are not included in the NEC or CEC.

- **EPL Ga** — equipment for Explosive gas Atmospheres, having a “very high” level of protection, which is not a source of ignition in normal operation, during expected malfunctions or during rare malfunctions
- **EPL Gb** — equipment for Explosive gas Atmospheres, having a “high” level of protection, which is not a source of ignition in normal operation or during expected malfunctions
- **EPL Gc** — equipment for Explosive gas Atmospheres, having an “enhanced” level of protection, which is not a source of ignition in normal operation, and which may have some additional protection to ensure that it remains inactive as an ignition source in the case of regular expected occurrences (for example failure of a lamp)
- **EPL Da** — equipment for Explosive dust Atmospheres, having a “very high” level of protection, which is not a source of ignition in normal operation, during expected malfunctions, or during rare malfunctions
- **EPL Db** — equipment for Explosive dust Atmospheres, having a “high” level of protection, which is not a source of ignition in normal operation or during expected malfunctions
- **EPL Dc** — equipment for Explosive dust Atmospheres, having an “enhanced” level of protection, which is not a source of ignition in normal operation, and which may have some additional protection to ensure that it remains inactive as an ignition source in the case of regular expected occurrences (for example failure of a lamp)



EPL	ZONE SUITABILITY
Ga	Zone 0
Gb	Zone 1
Gc	Zone 2
Da	Zone 20
Db	Zone 21
Dc	Zone 22

Levels of Protection for Ex Equipment

To align with the EPL marking system, current IEC 60079 Series Standards have added “Levels of Protection” in addition to each “Type of Protection”. At this time, the addition of this to all IEC 60079 Series Standards may not be complete and products approved to earlier versions of a standard might not be marked with a Level of Protection or EPL. As products evolve and certifications are updated this will be corrected.

Original Marking



New Marking



ATEX Zone Equipment Category of Use

Unlike the IEC System that identifies the Type and Level of protection to indicate the area in which a product may be installed (e.g., Gb or Db), ATEX uses the term “Category of Use”.

There are three Category of Use designations

- 1 = Zone 0 or 20
- 2 = Zone 1 or 21
- 3 = Zone 2 or 22

The Category of Use is prefaced by the same industry/area designation used in IEC

- I = Mines susceptible to fire damp
- II = Surface areas where explosive gas may be present
- III = Surface areas where explosive dust may be present

Equipment Construction and Approval for use in Hazardous Locations

There are two basic concepts used in the construction and design of electrical equipment to prevent the ignition of an explosive atmosphere, “Containment” and “Prevention (elimination or mitigation)”:

- “Containment” places all the elements of the fire triangle into an enclosure (such as an explosion-proof or flameproof enclosure) to contain an internal explosion and prevents an ignition of the surrounding atmosphere. For dust atmospheres it is more common to exclude the dust pentagon from entering enclosures and prevent any heat generated by the equipment from becoming a source of ignition.
- “Prevention” (elimination or mitigation) basically eliminates the explosion risk by removing one or more components of the fire triangle or dust pentagon. It is impossible to ignite an explosive gas or dust atmosphere unless the “fuel” is mixed with oxygen, or a to ignite fuel-air mixture without an ignition source.

Explosion Proof or Flameproof (Type of Protection ‘d’, ‘da’, ‘db’, ‘dc’) (contains the fire triangle in an enclosure)

(Related Standards; Explosionproof - UL 1203 or CSA C22.2 No. 30. Flameproof - IEC/UL/CSA 60079-1)

While basic protection concepts of explosionproof and flameproof are the same, the standards, testing, certification and installation requirements are different. Both are designed to contain an internal explosion of gas or vapor and prevent any hot or burning materials from escaping to prevent an ignition of the surrounding atmosphere.

Explosionproof and flameproof enclosures permit multiple joint types in their construction and each has slightly different requirements.

- **Threaded Joints** used for conduit entries and enclosure covers.
- **Flat Joints** between two mating surfaces that are typically bolted together.
- **Cylindrical (spigot) Joints** two concentric surfaces to allow movement for actuators (e.g., pushbuttons, selector switches), shafts for electric motors, etc.
- **Rabbit Joints** typically used for larger diameter, cylindrical parts, (e.g., between a motor end bell and the main frame).
- **Labyrinth Joints** used for both rectangular and cylindrical parts, these joints force hot gases to make several right-angle turns to cool them before exiting an enclosure.

Since enclosures can “breathe” due to environmental changes, flammable gases and vapors are expected to enter an enclosure and therefore must be capable of withstanding an internal explosion. Enclosures are constructed to prevent hot gases generated during an explosion to cool sufficiently as they escape through the joints of the enclosure, preventing the ignition of a surrounding explosive atmosphere.

While many of the testing requirements for explosionproof and flameproof are similar, the specific values are different. The explosion or flame propagation tests involve filling an enclosure with a specific gas/oxygen mixture and surrounding it with the same gas. The gas inside is ignited and if the enclosure doesn’t rupture or deform and the outer gas doesn’t ignite, the product passes the test. The explosion test is repeated multiple times to establish a safety factor and the maximum pressure generated inside the enclosure is recorded. In the overpressure test, a hydrostatic pressure is applied at multiple times that of the recorded explosion pressure, and if the enclosure doesn’t rupture or deform during this test, the product passes.

Key differences between Explosionproof and Flameproof Equipment

- The explosion or flame propagation tests in UL 1203 or CSA C22.2 No. 30 are technically harmonized. This test requires a length of rigid metal conduit (with size requirements) to be attached to the equipment and a sparking device (e.g., spark plug) at the end of the conduit is used to ignite the mixture. The resulting explosion pressurizes the gas ahead of it, increasing the gas pressure inside the enclosure which results in a higher explosion inside the enclosure (this is referred to as pressure piling).

NOTE: Until recently, there were several differences in the UL and CSA standards, and that passed one standard wouldn’t always pass the other. This was corrected in the 2019 edition of C22.2 No. 30 for most products. The CSA standard allows special construction methods not permitted by UL 1203.

- The explosion or flame propagation tests in IEC/UL/CSA 60079-1 are similar to those used for explosionproof, except the rigid conduit isn’t used and the sparking device is inside the enclosure. Since the effect of the pressure piling is eliminated, the test typically result in lower explosion pressures during testing.

HAZARDOUS LOCATION DATA

- Hydrostatic pressure tests required by the explosionproof standard are higher than those in the flameproof standards.
- Joint minimum width dimensions are larger, and the maximum gap between joint surfaces is smaller in the explosionproof Standards than those in the flameproof Standard.

The result is Explosionproof enclosures typically have a heavier wall construction than Flameproof (Ex d) products.

There are also differences in the NEC and CE Code on how these products are installed. In both Codes, explosionproof enclosures require conduit seals to be installed within 450mm (18") from the enclosure (or as marked on the product, some specify a shorter distance). Flameproof enclosures require conduit seals to be installed within 50mm (2") from the enclosure.

The installation rules for installing explosionproof equipment using cable are slightly different in the NEC and CE Code. The NEC allows cable seals to be installed up to 450mm (18") from the enclosure, whereas CE Code requires cable seals to be installed within 50mm (2"). Both Codes also require that cables entering an explosionproof enclosure that is marked "factory sealed" or "seals not required" to seal the cable at the point of entry.

For flameproof equipment, both the NEC and CE Code require cable seals to be installed within 50mm (2") of the enclosure.

NOTE: Ex 'da' is only permitted for certain types of gas detection equipment, Ex 'dc' is not commonly used in North America.

Encapsulation - Type of Protection ('m', 'ma', 'mb' and 'mc') (removes fuel from the fire triangle.)

(Related Standards; IEC/UL/CSA 60079-18)

Encapsulation is a type of protection in which the parts that can ignite an explosive atmosphere are enclosed in a resin (plastic). The resin must be sufficiently resistant to environmental influences that the explosive atmosphere cannot be ignited by either sparking or heating, which may occur within the device. This is typically used with small contacts such as used in relays or electronic devices.

Hermetically Sealed (removes fuel from the fire triangle.)

Common examples of hermetically sealed equipment include contact blocks or reed switches. With these methods, the arcing components of the switch are encased in a glass tube. The connecting wires are fused to the glass, sealing the unit to prevent any ingress of flammable gases and limits the heat

generated. Hermetically sealed equipment is suitable for Class I, Division 2 or Class II, Division 1.

Increased Safety - Type of Protection ('e', 'eb', 'ec') (removes heat from the fire triangle.)

(Related Standards; IEC/UL/CSA 60079-7)

This protection system is for equipment that, under normal operating conditions, does not produce ignition-capable arcs, sparks, or high temperatures. It provides special increased spacing between live parts and live parts of opposite polarity or grounded metal parts. Special insulating materials are used to reduce the likelihood of arc tracking along with special terminals to reduce the likelihood of high temperatures caused by loose connections and temperature control on heat producing equipment. Ex 'e' or Ex 'eb' is commonly used for protection of squirrel cage motors, terminals, and connection boxes (junction boxes). However, it does not allow the approval of LED luminaires due to risk of the components generating an ignition capable arc when they fail.

Ex 'ec' has less stringent requirements for enclosures and other devices and does allow for the approval of LED luminaires.

Intrinsically Safe ('i', or 'IS') Intrinsic Safety - Type of Protection ('ia', 'ib' and 'ic') (removes heat from the fire triangle.)

(Related Standards; UL 915, C22.2 No. 157 (being withdrawn replaced by CSA 60079-11). IEC/UL/CSA 60079-11)

The Intrinsic Safety concept limits the amount of energy in a circuit so that any spark caused by a short circuit or overvoltage is incapable of igniting a gas-air mixture. North American 'i' and 'IS' concepts were based on IEC Standards therefore they are basically identical to Ex and 'ia'. Types 'i', 'IS' and 'ia' are suitable for use in Zone 0 locations, Type "Ex ib" is suitable for use in Zone 1 locations, and the recently introduced Ex 'ic' is suitable for use in Zone 2 locations.

The Intrinsic Safety concept limits the amount of fault current or the energy within the entire circuit to a level below that which could ignite the surrounding atmosphere. For testing purposes, the most easily ignited gas mixture is used. Barrier devices are commonly used in the circuit to limit the energy (often called a Zener Diode Barrier although other barriers are available). While this type of device controls the energy feeding a circuit, they do not prevent other components such as capacitors, cables, etc. from storing energy which could be an issue on the complete system. Therefore, Intrinsic Safety is a "system approach" and no single device provides total protection.

HAZARDOUS LOCATION DATA

Non-Sparking – Type of Protection ('nX', nR) (removes fuel or heat from the fire triangle.)

(Related Standards; UL 121201 and C22.2 No. 213. IEC/UL/CSA 60079-15)

The original IEC 60079-15 Standard Type “n” contained the requirements for all equipment suitable for use in Zone 2 locations. For several reasons, IEC 60079 Standards decided to move sections of 60079-15 into the other Standards that better addressed the concept, (for example, the Ex nL requirements for energy limitation devices, was moved to IEC 60079-11). This led to the introduction of the “Level of Protection” to the various “Types of Protection” and “Equipment Protection Level” marking discussed earlier.

IEC 60079-15 also contains the requirements for Restricted breathing Ex 'nR' equipment.

Non-Incendive Equipment (removes heat from the fire triangle.)

(Related Standards; UL 121201 and C22.2 No. 213)

Non-Incendive is similar to Intrinsic Safety Ex 'ic' in that it addresses spark energy. It is intended for Class I, Division 2 or Class II, Division 1 locations. It also considers contacts for making or breaking an incendive circuit where the contact mechanism is constructed so that the component is incapable of igniting the specified flammable gas or vapor-air mixture. The housing of a non-incendive component is not intended to exclude the flammable atmosphere or contain an explosion.

Oil Immersion – Type of Protection ('o', 'ob', 'oc') (removes fuel and oxygen from the fire triangle.)

(Related Standards; IEC/UL/CSA 60079-6)

This concept involves immersing any device that produces ignition-capable arcs or sparks or high temperatures in an oil that prevent them from coming into contact with the outer atmosphere. Historically, large transformers or circuit breakers used this technique however its use today is limited.

Purged and Pressurized Type of Protection ('p', 'px', 'pxb', 'py', 'pyb', 'pz', 'pzc') (removes fuel from the fire triangle.)

(Related Standards; NFPA 496. IEC/UL/CSA 60079-2 and IEC/UL/CSA 60079-13)

This type of protection prevents the surrounding atmosphere from entering an enclosure by maintaining a positive pressure within the unit. Clean air or inert gas is used to maintain a higher pressure than the surrounding atmosphere. In purging, the electrical equipment is interlocked with a system which cycles clean air within the unit to remove explosive gases prior to start up.

The IEC Standard has become quite complicated and has multiple levels of protection identified.

There is also the NFPA 496 Standard used for the Division system and Zone 2.

NFPA 496 Identifies three types of pressurization as follows: (removes fuel from the fire triangle.)

TYPE	EXPLANATION
X	Changes the area within the unit from Class I, Division 1 to non- hazardous
Y	Changes the area within the unit from Class I, Division 1 to Class I, Division 2
Z	Changes the area within the unit from Class I, Division 2 to non- hazardous

Powder Filled Apparatus Type of Protection ('q', 'qb', 'qc') (confines all the elements in the fire triangle in an enclosure)

(Related Standards; IEC/UL/CSA 60079-5)

This type of protection requires surrounding electrical apparatus with a material in finely granulated quartz (or very small glass beads) to prevent any arc which may occur within the enclosure from igniting the surrounding atmosphere. The material has two purposes, it reduces the amount of explosive gas that can accumulate and provides a flamepath to quench any explosion. Equipment can have no moving parts, which are in direct contact with the filling materials, and the enclosure must have a minimum protection of IP 54.

Dust- Ignition-Proof Equipment (removes fuel from the fire triangle.)

(Related Standards; Explosionproof - UL 1203 or CSA C22.2 No. 25)

This concept is similar to Dust-Tight however enclosures are designed to contain an internal dust explosion. Since the explosive pressures generated by gases, therefore dust-ignition proof enclosures typically have thinner walls than explosion-proof equipment. In most equipment used today, dust tight provides a more cost-effective option.

Dust-Tight Equipment (removes fuel from the fire triangle.)

(Related Standards; Explosionproof - UL 1203 or CSA C22.2 No. 25)T

The objective of Dust-Tight is to prevent dust from entering an enclosure and limits the maximum surface temperature while in operation. Since combustible cannot enter the enclosure, it is not required to withstand an internal explosion, but it does need to withstand impact testing. Dust-tight equipment can require testing for internal arcing faults if required to ensure the circuit over-current protection will

HAZARDOUS LOCATION DATA

activate to prevent an increase in temperature. Flat joints in Dust-Tight equipment can be gasketed and have minimum width requirements. The primary requirement of all joints is to prevent dust from entering an enclosure.

Dust layers can build up on equipment which can decrease the heat dissipation generated by the equipment inside. This would increase the surface temperature even under normal operating conditions. The surface temperature tests are conducted with the equipment covered with as much dust as can possibly remain on the equipment.

The applicable testing standards for North America are UL 1203 and CSA C22.2 No. 25. While these standards were aligned in 2017, there remains a couple of key differences. UL 1203 has different dust penetration tests than IEC 60079-31 and specific joint dimension requirements. C22.2 No. 25 permits the same dust penetration tests and joint requirements used in IEC 60079-31 as an alternative to those in UL 1203.

Equipment Dust Ignition Protection by Enclosure “t” (“ta”, “tb”, “tc”) (removes fuel from the fire triangle.)

(Related Standards; IEC/UL/CSA 60079-31)

Much like North American dust tight requirements, the objective of the IEC 60079-31 is to prevent dust from entering the enclosure and limiting surface temperatures. All joints must meet IP 6X for Zone 20 and Zone 21, and IP 5X for Zone 22. Unlike UL 1203, there are no minimum joint dimensions that must be met.

Non-electrical requirements “h” (removes heat from the fire triangle.)

(Related Standards; IEC/UL/CSA 80079 Series)

The IEC 80079 Series of Standards address the non-electrical methods and types of protection for non-electrical equipment. Currently these requirements do not apply in North America. The IEC 80079 Series Standard was based on the (EU) EN 13463 series that was used in the ATEX System. The IEC 80079 identifies Type of Protection (Ex ‘h’). Older ATEX equipment used “c”, “b” and “k”. These symbols are still used internally within ISO 80079-37, but they do not appear in the equipment marking.



Environmental Protection of Enclosures

North America Environmental Protection Standards

The following are environmental protection designations, which are specified in addition to electrical or hazardous location requirements. Many people refer to the NEMA (National Electrical Manufacturers Association) when requesting enclosure types, however the NEMA 250 Standard is for reference only. In North America products are tested and approved to UL 50/CSA C22.2 No. 94 (harmonized Standard) and identified as enclosure "Type" followed by the appropriate number as defined below.

NOTE: Canada has never had an equivalent standard to NEMA 250 (some think there is and incorrectly change "NEMA" to "CEMA").

Type 1 Enclosures

Intended for indoor use primarily to provide a degree of protection against limited amounts of falling dirt.

Type 2 Enclosures

Intended for indoor use primarily to provide a degree of protection against limited amounts of falling water and dirt.

Type 3 Enclosures

Intended for outdoor use primarily to provide a degree of protection against rain, sleet, windblown dust; and damage from external ice formation.

Type 3R Enclosures

Intended for outdoor use primarily to provide a degree of protection against rain, sleet; and damage from external ice formation, and must have a drain hole.

Type 3S Enclosures

Intended for outdoor use primarily to provide a degree of protection against rain, sleet, windblown dust; and to provide for operation of external mechanisms when ice laden.

Type 4 Enclosures

Intended for indoor or outdoor use primarily to provide a degree of protection against windblown dust and rain, splashing water, hose directed water; and damage from external ice formation.

Type 4X Enclosures

Intended for indoor or outdoor use primarily to provide a degree of protection against corrosion, windblown dust and rain, splashing water, hose directed water; and damage from external ice formation.

Type 5 Enclosures

Intended for indoor use primarily to provide a degree of protection against settling airborne dust, falling dirt, and dripping non-corrosive liquids.

Type 6 Enclosures

Enclosures constructed for either indoor or outdoor use to protect against hose-directed water, damage from external ice formation, and the entry of water during occasional temporary submersion at a limited depth.

Type 6P Enclosures

Enclosures constructed for either indoor or outdoor use to provide a degree of protection against hose-directed water, damage from external ice formation, and the entry of water during occasional prolonged submersion at a limited depth.

Type 12 Enclosures

Intended for indoor use primarily to provide a degree of protection against circulating dust, falling dirt, and dripping non-corrosive liquids.

Type 12K Enclosures

Intended knockouts are intended for indoor use primarily to provide a degree of protection against circulating dust, falling dirt, and dripping non-corrosive liquids.

Type 13 Enclosures

Intended for indoor use primarily to provide a degree of protection against dust, spraying of water, oil, and non-corrosive coolant.

HAZARDOUS LOCATION DATA

COMPARISON OF THE TYPICAL DEGREES OF PROTECTION PROVIDED BY UL 50/CSA C22.2 NO. 94 ENCLOSURES										
PROVIDES A DEGREE OF PROTECTION AGAINST THE FOLLOWING CONDITIONS	TYPE OF ENCLOSURE									
	1*	2*	4	4X	5	6	6P	12	12K	13
Access to hazardous parts	X	X	X	X	X	X	X	X	X	X
Ingress of solid foreign objects (falling dirt)	X	X	X	X	X	X	X	X	X	X
Ingress of water (Dripping and light splashing)	—	X	X	X	X	X	X	X	X	X
Ingress of solid foreign objects (Circulating dust, lint, fibers, and flyings**)	—	—	X	X	—	X	X	X	X	X
Ingress of solid foreign objects (Settling airborne dust, lint, fibers, and flyings**)	—	—	X	X	X	X	X	X	X	X
Ingress of water (Hosedown and splashing water)	—	—	X	X	—	X	X	—	—	—
Oil and coolant seepage	—	—	—	—	—	—	—	X	X	X
Oil or coolant spraying and splashing	—	—	—	—	—	—	—	—	—	X
Corrosive agents	—	—	—	X	—	—	X	—	—	—
Ingress of water (Occasional temporary submersion)	—	—	—	—	—	X	X	—	—	—
Ingress of water (Occasional prolonged submersion)	—	—	—	—	—	—	X	—	—	—

* For additional information refer to www.nema.org

DEGREES OF PROTECTION PROVIDED BY NEMA 7, 8, 9 AND 10 FOR INDOOR HAZARDOUS LOCATIONS										
For outdoor locations, these will require additional approval to the applicable UL 50/CSA C22.2 No. 94 Standards										
PROVIDES A DEGREE OF PROTECTION AGAINST ATMOSPHERES TYPICALLY CONTAINING	ENCLOSURE TYPES 7 AND 8, CLASS I GROUPS**					ENCLOSURE TYPE 9, CLASS II GROUPS				
	(See NFPA 497M for Complete Listing)	CLASS	A	B	C	D	E	F	G	10
Acetylene	I	X	—	—	—	—	—	—	—	—
Hydrogen, manufactured gas	I	—	X	—	—	—	—	—	—	—
Diethyl ether, ethylene, cyclopropane	I	—	—	X	—	—	—	—	—	—
Gasoline, hexane, butane, naphtha, propane, acetone, toluene, isoprene	I	—	—	—	X	—	—	—	—	—
Metal dust	II	—	—	—	—	X	—	—	—	—
Carbon black, coal dust, coke dust	II	—	—	—	—	—	X	—	—	—
Flour, starch, grain dust	II	—	—	—	—	—	—	X	—	—
Fibers, flyings*	III	—	—	—	—	—	—	—	X	—
Methane with or without coal dust	MSHA	—	—	—	—	—	—	—	—	X

* For Class III locations, see the requirements NEC and CE Code.

** The enclosures must also be suitable for the specific area classification in terms of Class, Division and Temperature Code.

NEMA Definitions for Hazardous Location Enclosures (not identified in UL 50/CSA C22.2 No. 94)

NEMA type enclosures occasionally appear in specifications or on product literature and are specific to the US only. These enclosure Types are not identified in the UL 50/CSA C22.2 No. 94 Standard. The following is a reference from NEMA type to Class Designation.

NEMA 7 Enclosures

Intended for indoor use in locations classified as Class I, Groups A, B, C, or D, as defined in the NEC.

NEMA 8 Enclosures

Intended indoor or outdoor use in locations classified as Class I, Groups A, B, C, or D, as defined in the NEC.

NEMA 9 Enclosures

Intended for indoor use in locations classified as Class II, Groups E, F, and G, as defined in the NEC.

NEMA 10 Enclosures

Are constructed to meet the applicable requirements of the Mine Safety and Health Administration (MSHA).

HAZARDOUS LOCATION DATA

IEC Environmental Protection Standards

Like the North American CSA/UL Type enclosure standards, the international system is based on the IEC 60529 Standard that defines the tests used to identify the degree of protection provided by an enclosure. The IEC uses an “Ingress Protection Rating” (IP code) to define the type of protection provided by equipment using the letters ‘IP’ followed by two numeric digits (and an optional letter). The IP Rating defines the effectiveness of the enclosures against intrusion of solid materials and liquids.

- The first digit indicates the level of human protection from moving or hazardous parts, as well as the protection of the enclosed equipment from other materials such as dirt, grit and dust.
- The second digit defines the protection level that the enclosure has from the harmful ingress of water (liquids) from sprays or drips, moisture (humidity), or from submersion.

IP Type of Protection Chart (to IEC 60529)

SOLID OBJECTS OR DUST		LIQUIDS OR DUST	
0	No protection against contact and ingress of objects or Dust	0	No Protection – against the ingress of any liquids or dust
1	>50 mm – such as any large surface of the body, such as the back of the hand, but no protection against deliberate contact with a body part	1	Dripping Water – Protected against vertically falling water drops.
2	>12.5 mm – such as fingers or similar objects	2	Dripping water when tilted up to 15° – Vertically dripping water shall have no harmful effect when the enclosure is tilted at an angle up to 15° from its normal position.
3	>2.5 mm – such as Tools, thick wires, etc.	3	Spraying Water – Water falling as a spray at any angle up to 60° from the vertical shall have no harmful effect.
4	>1 mm – such as most wires, screws, etc.	4	Splashing Water – Water splashing against the enclosure from any direction shall have no harmful effect.
5	Dust Protected – Ingress of dust is not entirely prevented, but it must not enter in sufficient quantity to interfere with the satisfactory operation of the equipment; complete protection against contact	5	Water Jets – Water projected by a nozzle (6.3mm) against enclosure from any direction shall have no harmful effects.
6	Dust Tight – No ingress of dust; complete protection against contact	6	Powerful Water Jets – Water projected in powerful jets (12.5mm nozzle) against the enclosure from any direction shall have no harmful effects.
<p>Example</p> <p>6 = Dust Protected (No dust ingress allowed)</p> <p>5 = Protection against water Jets (Some moisture may enter that would not affect equipment)</p>		7	Immersion up to 1m – Protected against the effects of temporary immersion between 15cm and 1m. Duration of the test is 30 minutes.
		8	Immersion Beyond 1m – The equipment is suitable for continuous immersion in water under conditions which are specified by the manufacturer. There are no defined tests for this rating. The depth can be whatever is required for the application. For example, subsea electrical connectors are available that are suitable for use at depths up to 13,000 m

NOTE: An enclosure that can protect against water ingress when submersed, even at extreme depths an IP68 enclosure that passes the ingress test at 100m, could fail the tests using powerful water jets since one test compresses the enclosure opening (door) while the does the opposite. Therefore, it would be incorrect to use an IP 67 or IP 68 enclosure when the installation requires an IP 66.

The IEC 60529 Ratings do not align with the CSA/UL Type dust to differences in the other tests performed such. door and cover securement, corrosion resistance, effects of icing, gasket aging and oil resistance and coolant effects. The following table is an approximation only between IEC 60529 and UL 50/CSA C22.2 No. 94 from an ingress protection perspective. The table does not consider the additional tests required in UL 50/CSA C22.2 No. 94 or the any additional tests for enclosure required in the IEC 60079 Series of Standards for Ex Equipment.

UL 50/CSA C22.2 NO. 94 ENCLOSURE TYPE	IEC 60529 IP PROTECTION
1	IP 10
2	IP 11
3, 3R, 3S	IP 54
4, 4X	IP 55
5	IP 52
6, 6P	IP 67
12, 12K	IP 52
13	IP 54

Hazardous Location Equipment Certification

North American System

While CSA, FM and UL Standards are similar, some technical differences in specific product standards do exist. While Canada has one National Standard for each type of equipment, the US System can have multiple Standards. In the US there is one ANSI Standard and there can be various non-ANSI versions. In the US, the AHJ has discretion over which Standards they accept.

For equipment suitable for use in hazardous locations or explosive atmospheres, there are two approaches. Products may be certified to either Class/Division Standards or IEC Zone based Standards. The UL Standard Technical Panel (STP 60079) and CSA Integrated Committee on Hazardous Location Products (ICHL) are responsible for adopting the IEC 60079 Standards which includes adding National Deviations to address specific safety issues and accommodate electrical Code requirements. UL STP 60079 and ICHL work closely to minimize any deviations that would cause technical barriers to trade between the two countries. Similarly, ICHL has removed technical barriers between the Class/Division standards wherever possible.

NOTE: Some differences remain between Canadian and US in the standards for wire and cable, plugs and receptacles and cable glands for use in hazardous locations due to differences in the applicable Electrical Codes

The certification of equipment using Class/Division or CSA/UL 60079 Standards for Zones includes testing and approval to all applicable “ordinary location” Standards. (For example, an empty explosionproof outlet box would need to meet the standards for general requirements, threading in addition to the hazardous location requirements.) Both Canada and the US certification system follows the ISO/IEC Guide 17067 “Conformity assessment - Fundamentals of Product Certification and guidelines for product certification schemes” and are defined as 3rd party conformity assessment system.

Acceptance of product certification is up to the “Authority Having Jurisdiction” (AHJ) responsible for electrical installations in a specific location.

IECEX Certified Equipment Scheme.

The IECEX System is one of four international conformity assessment systems operated under the International Electrotechnical Commission (IEC) - Conformity Assessment Board (CAB). The objective of the IECEX is to facilitate international trade in equipment and services for use in explosive atmospheres, while maintaining the required level of safety.

The IECEX System operates three International Certification Schemes:

- IECEX Certified Equipment Scheme
- IECEX Certified Services Scheme
- IECEX Certificate of Personal Competence Scheme

IECEX Certified Equipment Scheme accredits certification bodies (Ex CB) to perform the evaluation and testing of equipment for explosive atmospheres (Ex Equipment) and the issuing of IECEX Certificates of Conformity (CoC). The Ex CBs are regularly audited as part of the “peer assessment” process to confirm they continue to follow the IECEX rules and testing procedures. The IECEX follows various ISO/IEC 17000 series of Standards such as ISO/IEC Guide 17067 “Conformity assessment - Fundamentals of Product Certification and guidelines for product certification schemes” and are defined as a 3rd party conformity assessment system.

Should there be any questions or discrepancies on how Ex CBs are applying the Standards, IEC TC 31 is asked to investigate and where necessary issue a “formal Interpretation sheet”. Separate to this process, IECEX can issue “ExTAG Decision Sheets” which record a decision on how all ExCBs will apply a certain requirement of the Standard and provides a quick means to achieve a resolution for industry, instead of waiting for the standard to be revised/updated.

An IECEX Certification of Equipment has three parts:

- Quality Assessment Report (**QAR**) which assesses and monitors the manufacturer’s processes
- Ex Test Reports (**ExTR**) documenting the testing performed.
- IECEX Certificate of Conformity (**CoC**)

HAZARDOUS LOCATION DATA

The QAR demonstrates that all manufacturing locations where an “IECEX certified” product is manufactured have been audited and have been confirmed as capable of manufacturing product identical in design and performance to the tested sample. Regular “Surveillance Audits” are to confirm manufacturers continue to meet the requirements of their QAR and a Full Audit, and updated QAR is required every three years. If issues or problems are identified during the audit, corrective actions must be taken or the QAR can be withdrawn.

The ExTR confirms that Ex Equipment sample, representative of production, was tested and passed all the applicable IEC or ISO Standards requirements and records the actual results of those tests. Regular audits are conducted at the manufacturing location(s) to confirm the equipment in production continues to meet all relevant requirements of the ExTr.

When the ExTR and QAR are completed satisfactorily, the IECEX CoC can be issued by the Ex CB to confirm the equipment has met all the requirements and is suitable for use in explosive atmospheres. The IECEX CoC authorizes the manufacturer to include the IECEX CoC reference number on the product label. The Ex CBs places these results of the QAR, ExTR and CoC into the IECEX system and the applicable documents are issued. The CoC is issued via the IECEX “On-Line” Certificate system via the IECEX official website, and fully available for public viewing. The On-Line electronic version of the CoC is the “Master Controlled” version of the CoC and is issued in “real-time” see <https://www.iecex-certs.com/#/home>.

Acceptance of the IECEX CoC is determined by the local Authority Having Jurisdiction (AHJ) that is responsible for hazardous location installations. The acceptance varies by economic region, country, (or areas within each) and to some extent the user.

NOTE: Other IECEX Schemes, the IECEX Certified services Scheme and IECEX Certificate of Personal Competence are not subject to such regulations and as such have very wide acceptance.

Several countries have no regulations that prevent direct market acceptance of IECEX certified equipment, and currently Australia, Israel, Malaysia, New Zealand and Singapore accept an IECEX CoC with no additional requirements. The US Coast Guard (USCG) and India accept an IECEX CoC but may have other limitations. In all cases, the user must confirm with their local AHJ what approvals are required.

Many other countries do not accept the IECEX CoC alone and require additional evaluation. Specific country requirements vary and typically administrative (e.g., non-tariff trade barriers) or technical (additional requirements to address safety concerns and regulatory issues) are added to obtain a specific “country approval”. For example, In North America all Ex Equipment is tested and approved to all the applicable ordinary location equipment standards and must comply with the Electrical Codes Rules. Currently there are 63 IECEX Certification Bodies, 68 IECEX Test laboratories and 4 IECEX authorized Test Facilities (with additional new ExCB, ExTL and ExATF applications in process).

The IECEX CoC along with the supporting ExTR and QAR offer a “Fast-Track” way to obtain multiple national approvals which can significantly reduce testing and certification costs, as well as the time to market. The unique advantage of the IECEX Certified Equipment Scheme is that QARs, ExTRs and CoCs are transferable between the member certification bodies. That means the relevant information from one Ex CB can be used another Ex CB for other certification purposes. For example, in North America, an NRTL or SCC CB can accept (depending on National Deviations) an IECEX QAR and ExTr, issued by any Ex CB, to satisfy their Ex requirements and only need to address the ordinary location requirements and address any Electrical Code issues. Similarly, for an ATEX approval, the IECEX CoC can be used for the technical requirements and then only the EU ESHRs need be addressed.

*NOTE: While an IECEX CoC can be used to obtain an ATEX DoC, the reverse is not usually true. The primary objective of ATEX is to meet the EU Essential Health and Safety Requirements, not the standards requirements. An ATEX DoC **cannot be used to obtain** an IECEX CoC (or other most approvals). For global certification of electrical equipment, it is best to start with an IECEX CoC. IECEX Guide IECEX OIA provides a simple explanation of the differences between the IECEX and ATEX systems for product approval. This free publication is available in at <https://www.iecex.com/publications/guides/>.*

Most IECEX Member Countries have an Ex CB and/or Ex TL and most North American OSHA and SCC accredited CBs (for hazardous location equipment) are also IECEX CBs. For further information on member countries and organizations, see www.iecex.com. The site also includes a series of IECEX Guides on each of the IECEX Schemes.

HAZARDOUS LOCATION DATA

ATEX System (European Union)

The European Committee for Electrotechnical Standardization (CENELEC) is responsible for standardization in the electrotechnical engineering field. CENELEC Standards are intended to eliminate any potential trade barriers to facilitate trade between member countries, cut compliance costs, and support the development of the Single European Market. CENELEC Standards are referred to as “Euro Norms” (EN) Standards and the EN 60079 Series is harmonized with IEC 60079 Standards through parallel voting.

European Union’s (EU) Directive 2014/34/EU (which replaced Directive 94/9/EC) is commonly referred to as ATEX (from the French for **AT**mosphères **EX**plosibles). **ATEX** addresses Equipment and Protective systems intended for use in Potentially Explosive Atmospheres. ATEX is a Regulatory Framework (**NOT** a Certification system) through which the EU Commission allows suppliers to offer Ex products for sale in the EU based on the seller’s declaration of product compliance with the Essential Health and Safety Requirements (EHSR) of Annex II of the ATEX Directive.

ATEX is not a traditional certification system since conformity assessment principles are not consistently applied and compliance to Standards used is not a mandatory requirement. An ATEX Certificate does not confirm compliance with any particular Standard, EN or other Standards such as UL or CSA can be used in the assessment to demonstrate compliance with the ESHRs. (Most manufacturers use relevant Standards to demonstrate compliance with the applicable ESHRs.)

Depending on the type equipment multiple EU directives may apply such as the Equipment and Protective Systems intended for Use in Potentially Explosive Atmospheres Regulations, Electrical Equipment Safety Regulations, Electromagnetic Compatibility Directive, Low Voltage Directive, Machinery Directive, Personal Protective Equipment Directive 89/686/EEC, Pressure Equipment Directive, Simple Pressure Vessels Directive, Radio Equipment Directive, Gas Appliances Directive, Construction Products Regulation and Marine Equipment Directive. The primary objective of ATEX is not about safety, it is to confirm equipment complies with the EU Essential Health and Safety Requirements (EHSR) to facilitate trade between the member states.

In the EU “New Approach Notified and Designated Organizations” (NANDO) System, member countries authorize “Notified Bodies” (NB). ATEX 2014/34/EU introduced requirements for a Notified Body to have national accreditation, previously this was not required. (Many NBs are also IECEx CBs that has a more rigorous assessment process).

NOTE: There are multiple NANDO accredited Notified Bodies operating in the EEA. Under the Canada-Europe Free Trade Agreement, the following Canadian Certification Organizations can issue an ATEX DoC; CSA Group Testing Certification Inc., LabTest Certification Inc., Intertek Testing Services Na Inc., NEMKO North America Inc., QPS Evaluation Services, Inc. This is important for manufacturers and OEM organizations as these organization can issue multiple approvals (Canada, US, IECEx and ATEX) from a single office.

The manufacturer (which could be a seller, trade agent, distributor, etc.) must involve a NB to assess electrical equipment intended for use Zones 0, 1, 20, 21. However, NBs are not involved in the assessment of equipment suitable for use in Zone 2 and Zone 22; this is solely the responsibility of the manufacturer to determine if the equipment complies with the applicable ESHRs to claim ATEX compliance. Manufactures are also responsible confirming ordinary location standards (and ESHR) compliance for all Ex Equipment.

ATEX Declaration of Conformity (DoC) consist of multiple parts:

- **Ex Quality Assessment Notifications (QAN)** - these document the suitability of the manufacturer’s QA system as related to ISO/IEC 80079-34. (This follows a similar process used for an IECEx QAR).
- **EU Type Examination Certificates** - document the evaluation and testing of the equipment to the applicable Standards used.

Based on the QAN and the EU Type Examination assessments (Issued by NB for Zones 0, 1, 20, 21 only) the manufacturer can issue a Declaration of Conformity (DoC). The DoC is, theoretically, issued the day the equipment is “placed on the market” (shipped or sold). (For Zone 2 and Zone 22 equipment the manufacturer is responsible for the QAN and EU Type Examination information). Notified Bodies are not permitted to issue DoCs (and no central database exists for this information, as is done by IECEx). In all cases, it is the sole responsibility of the manufacturer to issue the DoC and they must have a technical file to support the document.

HAZARDOUS LOCATION DATA

Since the primary objective of the ATEX DoC is to confirm compliance with EU ESHRs and it permits the use of different standards (and 100% compliance is not mandatory), an ATEX DoC is not accepted by all jurisdictions. It is not usually possible to use an ATEX DoC to obtain an IECEX CoC or accepted for other country approvals. For example, the USCG has specifically banned vessels with equipment certified to ATEX only from operating in US waters, Australia does not accept ATEX equipment and an ATEX DoC cannot be used as proof of compliance to obtain an IECEX CoC or for any North American approvals. (However, an IECEX CoC can be used to support an ATEX DoC).

NOTE: ATEX compliance is mandatory for members of the European Economic Area (EEA) which includes the EU countries (Austria, Belgium, Bulgaria, Croatia, Republic of Cyprus, Czech Republic, Denmark, Estonia, Finland, France, Germany, Greece, Hungary, Ireland, Italy, Latvia, Lithuania, Luxembourg, Malta, Netherlands, Poland, Portugal, Romania, Slovakia, Slovenia, Spain and Sweden) the three European Free Trade EFTA European Free Trade Association (EFTA) states (Iceland, Liechtenstein, and Norway) as well as two countries under Mutual Recognition Agreements (Switzerland and Turkey).

NOTE: At the time of writing, with the United Kingdom's (UK) departure from the EU (Brexit) and their status within the EEA is not complete. (See information under UK and Northern Ireland).

UK System

UK CA The UK (or Great Britain (GB)) refers to the landmass encompassing England, Scotland and Wales and their associated islands. The UK does not include Northern Ireland which is treated differently. UK officially severed its membership in the EU January 1, 2020. There was a transition period that ended on January 1, 2021, and products were ready to ship (fully manufactured) before that date, the CE mark can be applied, and the exemption ends 31 December 2022 at which point the UK Conformity Assessment mark is mandatory.

The new UK requirements for equipment suitable for use in explosive atmospheres and the applicable ESHRs are essentially identical to those used under EU ATEX system. Only the approval mark changes.

The “new” UKCA conformity assessment mark replaces CE mark and is required on similar lists of items. Most UK based “EU NBs” have been approved as “UK NBs” and are authorized to assess equipment and issue a UK DoC (same process as used under ATEX). The same manufacturer declarations of conformity apply for Zone 2 and 22 as those used in the ATEX System.

NOTE: For companies the build assemblies, all the equipment and components must bear a UKCA mark; a CE mark (alone) is no longer acceptable.

NOTE: The UK has accredited several UK Notified Bodies. Under the Canada-UK Free Trade Agreement several applications have been submitted for Canadian CBs to become UK NBs. This will be important to manufacturers and OEM companies since these organization would be able to issue multiple approvals (ATEX, Canada, IECEX, UK and US) from a single office.

Northern Ireland (UK) System

UK NI The requirements in Northern Ireland are “complicated” to say the least. Addressing the unique issues and concerns relating to Northern Ireland post-Brexit has been a major issue in negotiations between the UK government and the European Union. Technically, Northern Ireland is part of England, but not part of the UK (GB). And Northern Ireland has a close economic and social relationship with the Republic of Ireland, which is an independent state and EU member.

Under the current EU-UK (Brexit) agreement, Northern Ireland continues to follow EU rules on product standards, and goods can move freely between the Northern Ireland border with the Republic of Ireland border and all EU countries. For the movement of goods between and Great Britain (and to secure the EU border) inspections and document checking is performed in Great Britain. (This continues to be of some concern in GB). Northern Ireland will continue to accept CE marked products and can issue ATEX DoCs. They can also import and use UKCA marked products but cannot apply the UKCA mark to goods. This created the need for a separate mark (UKNI) for goods produced in Northern Ireland that are exported to the UK.

NOTE: The use of the UKNI may be confusing, see <https://www.gov.uk/guidance/using-the-ukni-marking> for further information.

The Northern Ireland requirements for equipment suitable for use in explosive atmospheres can be either identical to ATEX or the UK Systems. Only the approval marks change.

Hazardous Location Equipment Class/Division Equipment Marking

Both the NEC and CE Code require equipment approved to Class/Division Standards to be marked with the location it permitted to be used. The minimum marking includes the Class, Division and Material Group. A Temperature Code is included on products that have a surface temperature above 100°C in normal operation and any environmental ratings that apply. If the product was tested for an environmental rating (as explained above, e.g., Type 4), those are included on the label.

Most Product Standard(s) identify the maximum and minimum ambient temperature range in which equipment may be safely used. There are differences in the North American ambient temperature range in several Class/Division Standards such as explosionproof where UL specifies -25°C to + 40°C and CSA specifies -50°C to + 40°C. Since multiple Standards typically apply to a single product, and the difference in US and CA Standards, it is common to include the ambient temperature range on the product label.

For Class I, Division 1, equipment can be marked in multiple ways. At a minimum it must include the Class, the Material Group(s) and if the equipment is expected to have a surface temperature at or above 100°C in normal service, a Temperature Code. Variations include.

- Class I, Groups B, C, D*
- Class I, Division 1, Groups B, C, D*
- Class I, Division 1 and 2, Groups B, C, D*
 - » *Note: The Gas Groups are specific to the approvals (this could be (A, B, C, D, (B, C, D), (C, D) or simply (D).
 - » *Note: If the equipment operates above 100°C, it must include the T-Code (T-5 to T1)
 - » Class II equipment would include Division 1 or 2 and the Dust Groups (E, F, G)
 - » Class III would include Division 1 or 2 but has no material Groups

It is common for there to be difference between the Class I, Division 1 and Class I, Division 2 markings. For example, a Class I, Division 1, Groups B, C, D could also be marked as Class I, Division 2, Groups A, B, C, D due to differences in the standards. Products may be specifically approved for Class I, Division 2, only (which would include the Material Group(s) and T-Code as applicable).

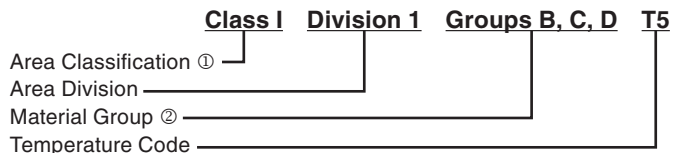
Empty enclosures for use as junction boxes for wire terminations are available for use in Class I, Division 1 locations. However, when other equipment, such as control devices, relays etc., are installed the completed assembly normally requires additional assessment by a certification body or the AHL (the explosionproof enclosure isn't re-evaluated, just the component spacing, wire access, etc.).

There are no "empty enclosures" rated for Class I, Division 2 since it is the components that determine the suitability for the location, not the enclosure. Products suitable for use in Class I, Division 2 locations do not necessarily require any hazardous location markings, such as non-sparking motors, terminal boxes, cable glands and fittings. This type of equipment is identified in the NEC and CE Code.

NOTE: Historically, some certification bodies had incorrectly approved empty enclosures for Class I, Division 2 but have been corrected (de-listed)

NEC (Article 500) and CE Code (Section 18) Marking for Class/Division Equipment

The basic marking for Division product is as follows. Abbreviations may be used for example "CI." Or "C", instead of the word "Class" or "Div." or "D" instead of the word "Division". In all cases, the equipment is suitable for Class I, II or III, **Division 1** is suitable for use in Class I, II or III, **Division 2** locations (providing the Material Group(s) and T-Code are acceptable). Equipment marked with **Division 2** is never suitable for **Division 1**.



① Class I = Gas, Class II = Dust, Class III = Fibers and Flyings
 ② Class I, Gasses and Vapors (A, B, C, D), Class II. Combustible Dust (E, F, G) Class III, Fibers and Flyings has no material Groups

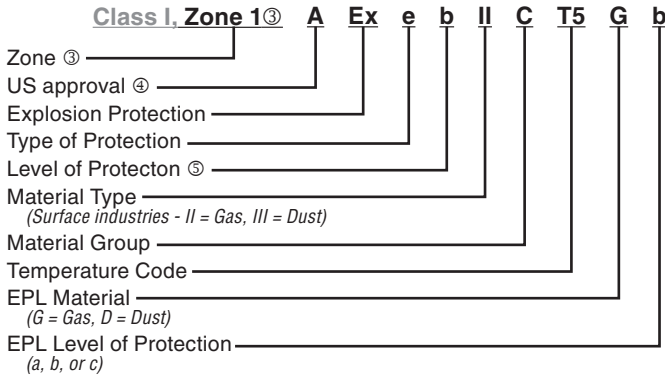
HAZARDOUS LOCATION DATA

North American Zone Equipment Marking

NEC Zone Equipment Marking

The US marking requirements for equipment approved for Zone equipment are unique. Much like the Class/Division system, equipment approved to Zone Standards (UL 60079 Series) must be marked with the Zone in which they are suitable to be used as well as the Type of Protection. The “Ex” marking required in the IEC/CSA 60079 Standards is prefaced with the letter “A” or “AEx” to indicate the equipment is certified to US Standards. Prior to 2020, the NEC it was mandatory to include the applicable “Class” and “Zone” on equipment. This changed in the NEC 2020 Edition to remove the “Class” marking with only the Zone marking being required. The US deviations to the IEC Standards permit the inclusion of “additional marking” for convenience (for example, Class/Division marking).

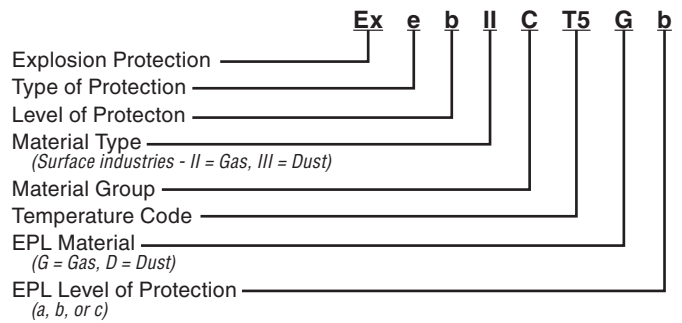
NOTE: The CE Code does not recognize the “AEx” marking. However the CE Code recognize the use of “(A)Ex” where products are approved to both the CSA and UL versions of IEC 60079 Standards.



- ㉓ Prior to 2021, NEC required equipment to marked with both Class and Zone, the applicable Zone marking is still required.
- ㉔ “AEx” identifies to US Standards.
- ㉕ Level of Protection was not required on older products. For example, both AEx e and AEx eb identify the same Type of Protection

CE Code Marking for Zone Equipment

The CE Code uses the same marking system identified in the IEC 60079 Series of Standard. The Canadian deviations to the IEC Standards permit the inclusion of “additional marking” for convenience (for example, Class/Division and Zone location marking and (A)Ex, etc.). Users need to confirm the Type of Protection and Level of Protection is suitable for the location where the equipment is installed. The CE Code contains notes in Appendix B to recommend the used of the Equipment Protection Level (EPL) to determine the appropriate location of use.




CERTIFICATION MARKINGS


Certification Marking of Equipment for use in Explosive Atmospheres

North American Certification Marks

In the US, equipment certification is issued by a “Nationally Recognized Testing Laboratory” (NRTL) approved by the Occupational Health and Safety Administration (OSHA). In Canada, equipment certification is issued by a “laboratory and certification body” (CB) accredited by the Standards Council of Canada (SCC). Both the NEC and CE Code require products include a “certification mark” issued by an accredited NRTL or CB. Final acceptance of specific certification marks is at the discretion of the AHJs (some jurisdictions may not accept all certification marks).

Most NRTLs and CBs use the terms “approved” and “certified” when referring to equipment that meets the requirements of the applicable Standards. Only Underwriter Laboratories Inc. (UL) identifies three different levels of certification as follows.

 Listed means the same as certified or approved. This means a product has been fully investigated to a specific set of construction standards. In hazardous locations, Zone type products must be specifically “Listed” for the location.

 Classified products are different than listed products. Products carrying this mark have been evaluated for specific properties. Although UL has a Canadian mark, CSA has no equivalent certification process.

Most NRTLs and CBs test and approve component products that are incomplete or restricted in performance capabilities. Components are intended to be used with other certified equipment (for example, an actuator may be approved as a component but cannot be used unless it is installed in an appropriate (approved) enclosure). Components are not intended for separate installation in the field, most AHJs require assemblies containing multiple components to be submitted to a CB for additional approvals. (This is similar to the “U” certificates in the IECEx and ATEX systems)

Several NRTLs and CBs are listed with both OSHA and SCC to approve products for both Canada and the US. This can simplify the approval process for original equipment manufacturers (OEMs) and panel builders as it allows them to provide a single product that complies with the NEC and CE Code.

USA OSHA NATIONALLY RECOGNIZED TESTING LABORATORIES (NRTL)	CANADA SCC ACCREDITED CERTIFICATION BODY
CSA	CSA
FM	FM
Intertek	Intertek
LabTest	LabTest
MET	MET
QPS	QPS
UL	UL
DEKRA*	ESAFE*
SGS*	

NOTE: OSHA and SCC define the specific Standards to which these agencies can test and certify products to. There can be differences the Scope of Accreditation of some organizations.

** Not accredited in both countries*

The certification mark of each agency may include the letters “US” or “C” to identify suitability for each country. Logos that include “US” on the right side and “C” on the left identify the product is approved for use in both countries. The CB logos can be confusing since the certification logos themselves remain the same, only the “US” and “C” inclusions change.

Most NRTLs issue component listing of products which means that selected products may be offered in modular form, which the customer may assemble without affecting the listing.

Certification Marks for the USA only



Certification Marks for Canada only



Certification Marks for both Canada and US



CERTIFICATION MARKINGS

Similar to equipment marking, country specific marks are used by UL and CSA to identify approved components.

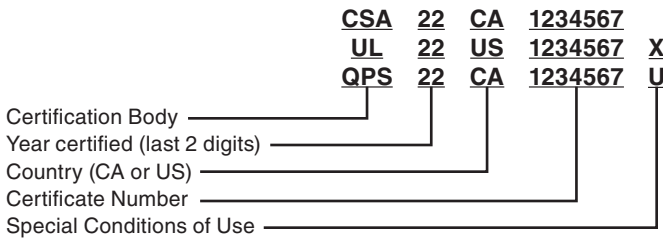
Component Marks

(products must be installed with other equipment)



North American Certification Marking Specific to Zone Locations

In addition to the information above, equipment certified to the CSA/UL/IEC 60079 Standards must also include the certification file number. Some Class/Division product will also include the certification file number, but the format is different.



There are two "special conditions of use":

- "X" indicates there are special instructions for the safe installation and use of a product contained in the manufacturers' instructions that must be followed.
- "U" indicates the product is an Ex Component that must be installed in or with other Ex Equipment. An additional certification is required for the completed assembly

International Certification Marks

IECEX Marking

Until recently, IECEX used two separate graphical symbols for brand identification and marketing purposes. This included both the registered trademarks of IEC® and IECEX®.

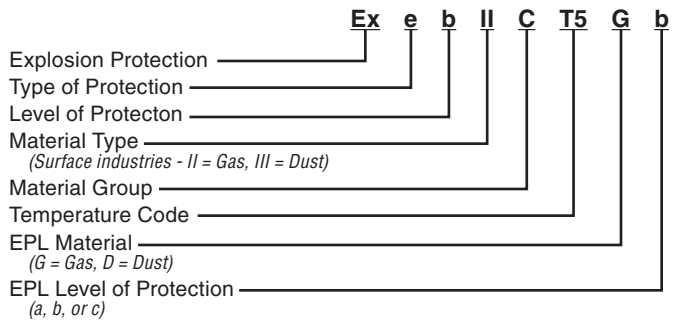
A different graphic symbol was used to indicate "IECEX Approval" that could be used much like the certification agency marks in North America. The use of the IECEX approval logo is authorized under the IECEX Mark Licensing Scheme and is connected to an IECEX CoC. The IECEX mark is optional and not commonly used at this time.



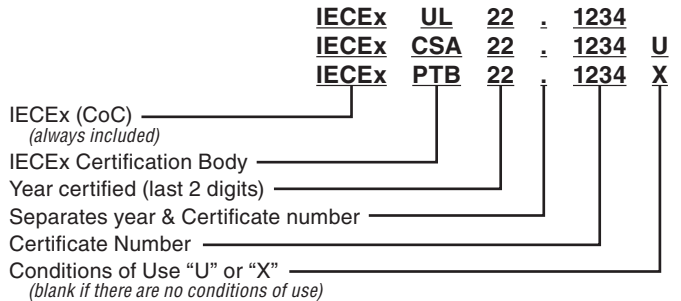
After a review in 2020, IECEX decided to use a single mark for both marketing purposes and to indicate equipment compliance. When used in print material (including literature, website, media publication, etc.) there are no licensing requirements. However, the mark cannot be used on equipment, product packaging, business cards, letterhead, stationary, etc. (except for certain IECEX members) unless a license is obtained through the IECEX Mark Licensing Scheme.

The requirements for equipment marking include those identified in The IEC 60079 Series and the inclusion of the IECEX Certificate of Compliance Number.

Ex Equipment Marking (Based on IEC 60079)



IECEX Certificate of Compliance Number



CERTIFICATION MARKINGS

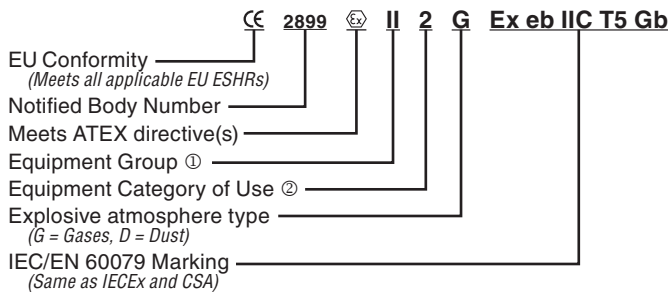
ATEX Marking for the EUROPEAN ECONOMIC AREA (EEA)

When the ATEX assessment has been completed, the manufacturer can place the CE Mark and other information on the product and issue the DoC at time of shipment. The marking is placed either on the equipment, packaging or instructions (often used for very small parts). The letters must be vertically equal in dimensions and must not be smaller than 5 millimeters. If there are other Directives which cover the product as well, the CE marking must be affixed only when all the Directives have been met.

CE The CE mark indicates a specific product complies with all the applicable European Union (EU) directives that apply to it. Directives for a particular type of product such as electromagnetic compatibility (EMC) or electromagnetic interference (EMI). This mark is self declared by the manufacturer.

Ex The "Hex EX" mark identifies the equipment complies with all the applicable ATEX Directive. All equipment for use in explosive atmospheres, for use in the EU, include the CE and EX logos as well as the specific equipment marking.

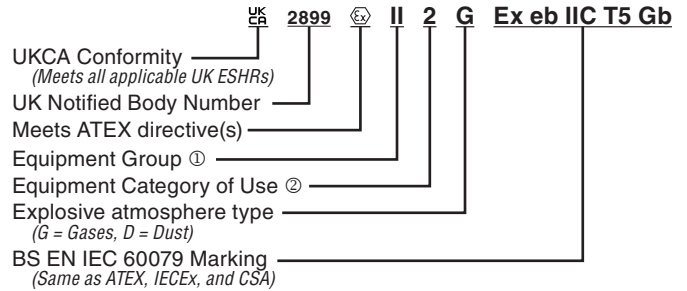
Specific Equipment Marking



- ① **Equipment Groups**
 - I = Mines Susceptible to Firedamp
 - II = Surface Industries - Explosive Gas atmospheres
 - III = Surface Industries - Explosive Dust atmospheres
- ② **Equipment Category of Use**
 - 1 = Zone 0
 - 2 = Zone 1
 - 3 = Zone 2

UKCA Marking for the UK (GB)

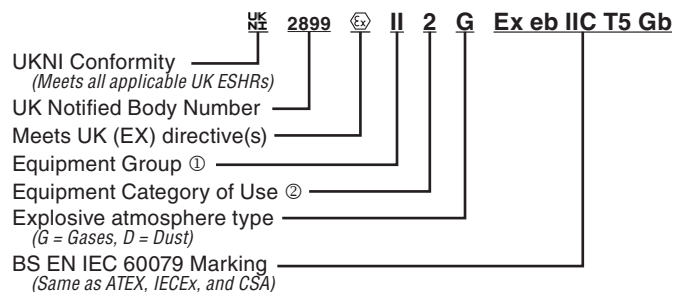
The UKCA marking is identical to the CE marking with just the CE replaced by the UKCA symbol. Currently, the UK will continue to follow the basic ATEX marking system, with the only differences being the Standards used are the BS EN IEC 60079 and BS EN 80079 Series.



- ① **Equipment Groups**
 - I = Mines Susceptible to Firedamp
 - II = Surface Industries - Explosive Gas atmospheres
 - III = Surface Industries - Explosive Dust atmospheres
- ② **Equipment Category of Use**
 - 1 = Zone 0
 - 2 = Zone 1
 - 3 = Zone 2

UKNI Marking Northern Ireland (UK) Marking

Products produced in Northern Ireland intended for shipment to the UK would follow the UKNI marking system. Therefore, the UKNI mark would simply replace the UKCA mark shown above.



- ① **Equipment Groups**
 - I = Mines Susceptible to Firedamp
 - II = Surface Industries - Explosive Gas atmospheres
 - III = Surface Industries - Explosive Dust atmospheres
- ② **Equipment Category of Use**
 - 1 = Zone 0
 - 2 = Zone 1
 - 3 = Zone 2

Other country specific certification and marking requirements

Many other countries have specific requirements for approval to be used in their country. In some cases, this is merely an administration procedure, in others additional technical requirements must be met. Some Countries require the use of a certification mark or logo as evidence of compliance. In most cases, the specific country approval can be based on an IECEx CoC.

Some examples include:

- Brazil all Ex equipment requires Inmetro approval.
- China requires a China Compulsory Certificate (CCC) mark issued by the Certification and Accreditation Administration of the People's Republic of China
- India has a combination of the PESO (Petroleum and Explosives Safety Organization) and DGMS (Director General of Mines Safety) approvals to import product.



- United Emirates Conformity used the Emirates Assessment Scheme (ECAS) requires an ECAS Certificate of Conformity and the Emirates Quality Mark (EQM)
- Saudi Arabia requires a Saudi Standards, Metrology and Quality Organization (SASO) Recognition Certificate (SIRC). SASO requires both IECEx CoC and IECEE (IEC Conformity Assessment Scheme for Electrical and Electronic Equipment) CoC (or an ExTr and EETr)
- South Africa requires a South African Bureau of Standards (SABS) mark on Ex equipment



For specific details on specific requirements for each contact the country organization or your Certification Body for additional information. Or contact Killark for assistance in understanding the global requirements for product certification.

Various Hubbell organizations (including Austdac, Chalmit, GaiTronics, Hawke and Killark) offer a wide range of products for use in explosive atmospheres, many of which include multi-country certification



HAZARDOUS LOCATION DATA

North American Use of Equipment marked For Class/Division or Zones

Both the NEC and CE Code permit the use of Class/Division marked equipment to be used in Zone Locations and Zone marked equipment to be used in Class/Division locations. The CE Code includes Table 18 whereas the NEC currently has this information in text. (The 2023 NEC Edition is expected to add a similar table to that used in the CE Code)

CLASS/DIVISION SYSTEM		ZONE SYSTEM	
AREA CLASSIFICATION	SUITABLE EQUIPMENT	AREA CLASSIFICATION	SUITABLE EQUIPMENT
CLASS I, GASSES AND VAPORS		EXPLOSIVE GAS ATMOSPHERES	
Class I, Division 1	Equipment marked Class I, Division 1 Purged equipment to NFPA 496 Intrinsic safety Encapsulation Flameproof Inherently safe optical radiation Optical system with interlock	Zone 0	Intrinsically safe, IS, I.S., Exi, Exia, Encapsulation ma ① Flameproof da ①② Equipment marked EPL Ga
		Zone 1	Equipment suitable for use in Zone 0 Equipment marked Class I, Division 1 Purged equipment to NFPA 496 Intrinsic safety Encapsulation Flameproof Intrinsic safety Increased safety Pressurized enclosure Powder filling Liquid immersion Electrical resistance trace heating 60079-30-1, EPL Gb Inherently safe optical radiation Optical system with interlock Protected optical radiation Equipment marked
Class I, Division 2	Equipment suitable for use in Class I, Division 1 Equipment suitable for use in Zone 0 Equipment suitable for use in in Zone 1 Equipment to NFPA 496 Type of Protection "n" (Group II) Intrinsic safety Encapsulation Flameproof Intrinsic safety Increased safety Pressurized enclosure Liquid immersion Electrical resistance trace heating 60079-30-1, EPL Gc Skin effect trace heating Impedance heating Inherently safe optical radiation Optical system with interlock Protected optical radiation Equipment marked Other electrical apparatus‡	Zone 2	Equipment suitable for use in Zone 0 Equipment suitable for use in Zone 1 Equipment suitable for use in Class I, Division 1 Equipment suitable for use in Class I, Division Equipment to NFPA 496 Type of Protection "n" (Group II) Intrinsic safety Encapsulation Flameproof Intrinsic safety Increased safety Pressurized enclosure Liquid immersion Electrical resistance trace heating 60079-30-1, EPL Gc Skin effect trace heating Impedance heating Inherently safe optical radiation Optical system with interlock Protected optical radiation Equipment marked Other electrical apparatus‡

INTRODUCTION

HAZARDOUS LOCATION DATA

CLASS/DIVISION SYSTEM		ZONE SYSTEM	
AREA CLASSIFICATION	SUITABLE EQUIPMENT	AREA CLASSIFICATION	SUITABLE EQUIPMENT
CLASS II, COMBUSTIBLE DUSTS		EXPLOSIVE DUST ATMOSPHERES	
Class II, Division 1	Equipment suitable for use in Class II, Division 1 Purged equipment to NFPA 496 Types X, Y Intrinsic safety ia Encapsulation ma Protection by Enclosure ta Inherently safe optical radiation op is, with EPL Da** Optical system with interlock op sh, with EPL Da**	Zone 20	Equipment suitable for use in Class II, Division 1 Intrinsic safety (Group III) ia Intrinsically safe, IS, I.S., Exi, Exia Encapsulation ma ① Protection by enclosure (Group III) ta Inherently safe optical radiation op is, with EPL Da** Optical system with interlock op sh, with EPL Da** Equipment marked EPL Da
		Zone 21	Equipment suitable for use in Zone 20 Equipment suitable for use in Class II, Division 1 Intrinsic safety (Group III) ib Protection by enclosure (Group III) tb Pressurized enclosure (Group III) p, px, pxb, py, pyb Encapsulation mb Inherently safe optical radiation op is, with EPL Db** Optical system with interlock op sh, with EPL Db** Protected optical radiation op pr, with EPL Db** Electrical resistance trace heating 60079-30-1, EPL Db Skin effect trace heating with EPL Db** Equipment marked EPL Db
Class II, Division 2	Equipment suitable for use in Class II, Division 1 Equipment suitable for use in Class II, Division 2 Equipment suitable for use in Zone 20 Equipment suitable for use in Zone 21 Other electrical apparatus‡ <u>Suitable enclosures:</u> (CE Code) Types 4, 4X and 5 (NEC) Type 3, 3S, 3SX, 4, 4X, 5, 6, 6P, 12, 12K, and 13	Zone 22	Equipment suitable for use in Zone 20 Equipment suitable for use in Zone 21 Equipment suitable for use in Class II, Division 1 Equipment suitable for use in Class II, Division 2 Intrinsic safety (Group III) ic Encapsulation mc Protection by enclosure (Group III) tc Electrical resistance trace heating 60079-30-1, EPL Dc Skin effect trace heating with EPL Dc** Impedance heating with EPL Dc** Inherently safe optical radiation op is, with EPL Dc** Optical system with interlock op sh, with EPL Dc* Protected optical radiation op pr, with EPL Dc** Equipment marked EPL Dc Other electrical apparatus‡ <u>Suitable enclosures:</u> (CE Code) Types 4, 4X and 5 (NEC) Type 3, 3S, 3SX, 4, 4X, 5, 6, 6P, 12, 12K, and 13
CLASS III, EASILY IGNITED FIBERS AND FLYINGS			
Class III, Division 1	Class II, Division 1 Class II, Division 2 Class III, Division 1 EPL Da, Db or Dc Other electrical apparatus‡ <u>Suitable enclosures:</u> (CE Code) Types 4, 4X and 5 (NEC) Type 3, 3S, 3SX, 4, 4X, 5, 6, 6P, 12, 12K, and 13	Note: The Zone System incorporates the requirements for Class III materials Class III, Division 1 equates to Zone 20 and Zone 21 Class III, Division 1 equates to Zone 22	
Class III, Division 2	Same as above		

① Must be wired as intrinsically safe

② For Gas Detection products only

‡ Other acceptable equipment

- For Class I, Division 1 & Zone 1, examples include a submersible pump with a float switch that disconnects the power before it reaches the motor or pressurized systems Type X or Y
- For Class I, Division 2, & Zone 2 examples include; non-sparking motors, Type 4 enclosure with terminals, ordinary location fittings and cable glands, etc.
- For Class II, Division 1 & Zone 21, examples include pressurized systems Type X or Y
- For Class II, Division 2 & Zone 22, examples include, switches, controllers, circuit breakers, and fuses or terminals installed in (CE Code Type 4 or 5) or (NEC Type 3, 3S, 3SX, 4, 4X, 5, 6, 6P, 12, 12K, and 13) enclosures and ordinary location fittings and cable glands, etc.
- Class III, Division 1 and Division 2, switches, controllers, circuit breakers, fuses, control transformers, resistors, utilization equipment (fixed and portable), electric cranes, hoists, or similar equipment installed in (CE Code Type 4 or 5) or (NEC Type 3, 3S, 3SX, 4, 4X, 5, 6, 6P, 12, 12K, and 13) enclosures and ordinary location fittings and cable glands, etc..

HAZARDOUS LOCATION DATA

A more basic comparison is as follows:

BASIC MARKING REQUIRED FOR EQUIPMENT USED IN HAZARDOUS LOCATIONS			
CLASS DIVISION SYSTEM ①		ZONE SYSTEM ①	
CLASS I, GASSES AND VAPORS		EXPLOSIVE GAS ATMOSPHERES	
Class I, Division 1	Class I, Division 1 EPL Ga Ⓢ Other acceptable equipment	Zone 0	EPL Ga
		Zone 1	Class I, Division 1 EPL Ga or Gb
Class I, Division 2	Class I, Division 1 Class I, Division 2 EPL Ga, Gb or Gc Ⓢ Other acceptable equipment	Zone 2	Class I, Division 1 Class I, Division 2 EPL Ga, Gb or Gc Ⓢ Other acceptable equipment
CLASS II, COMBUSTIBLE DUSTS		EXPLOSIVE DUST ATMOSPHERES	
Class II, Division 1	Class II, Division 1 EPL Da Ⓢ Other acceptable equipment	Zone 20	Class II, Division 1 EPL Da
		Zone 21	Class II, Division 1 EPL Da or Db Ⓢ Other acceptable equipment
Class II, Division 1	Class II, Division 1 Class II, Division 2 EPL Da, Db or Dc Ⓢ Other acceptable equipment	Zone 22	Class II, Division 1 Class II, Division 2 EPL Da, Db or Dc Ⓢ Other acceptable equipment
CLASS III, EASILY IGNITED FIBERS & FLYINGS			
Class III, Division 1	Class II, Division 1 Class II, Division 2 Class III, Division 1 EPL Da, Db or Dc Enclosure See notes Ⓢ Other acceptable equipment	Same as Zone 22	
Class III, Division 2	Class II, Division 1 Class II, Division 2 Class III, Division 1 Class III, Division 2 EPL Da, Db or Dc Enclosure See notes Ⓢ Other acceptable equipment	Same as Zone 22	

NOTE: EPL marking will include the "Ex" Type of Protection and Level of Protection used in the construction of the product. This information may identify specific installation requirements. For example, Ex 'd' or 'db' enclosures require an explosion seal to be installed within 50mm. or Ex 'e' or 'eb' enclosure require the use of an Ex 'e' or 'eb' cable gland.

① Equipment marking must include the applicable Material (Gas or Dust), Group(s) and T-Code

Ⓢ Other acceptable equipment

- For Class I, Division 1 & Zone 1, examples include a submersible pump with a float switch that disconnects the power before it reaches the motor or pressurized systems Type X or Y
- For Class I, Division 2, & Zone 2 examples include; non-sparking motors, Type 4 enclosure with terminals, ordinary location fittings and cable glands, etc.
- For Class II, Division 1 & Zone 21, examples include pressurized systems Type X or Y
- For Class II, Division 2 & Zone 22, examples include, switches, controllers, circuit breakers, and fuses or terminals installed in (CE Code Type 4 or 5) or (NEC Type 3, 3S, 3SX, 4, 4X, 5, 6, 6P, 12, 12K, and 13) enclosures and ordinary location fittings and cable glands, etc.
- Class III, Division 1 and Division 2, switches, controllers, circuit breakers, fuses, control transformers, resistors, utilization equipment (fixed and portable), electric cranes, hoists, or similar equipment installed in (CE Code Type 4 or 5) or (NEC Type 3, 3S, 3SX, 4, 4X, 5, 6, 6P, 12, 12K, and 13) enclosures and ordinary location fittings and cable glands, etc.

Trademarks

The designs of Killark products are original and proprietary and in many instances are covered by patents.

Killark products are designed to be installed as governed by the National Electric Code. The products are designed to conform with suitable Third Party Certifier standards where such standards exist. Most Killark standard cataloged products are covered by third party certification reports and inspection procedures. These certifications are a matter of record and are indicated by the product identification marking and the certifier's logo. Generally, the marking is required on the product itself, however, under certain circumstances, the marking may be applied to the carton only.

In general, products are Third Party Certified as complete assemblies, however, exceptions do exist. One such exception would be separate shipment of control station cover assemblies and the splice boxes. In some instances, components may be covered (i.e.,

UL Recognized) for use in other equipment which will be submitted for certification of the complete assembly. The nature of the agreements with Third Party Certifiers requires that product deviations from the originally submitted design be resubmitted for evaluation prior to application of the logo. It is not uncommon for re-submittals to take a substantial length of time.

Generally, Killark's standard cataloged products are covered by one or more of the following Third Party certifiers: Underwriters Laboratories Inc., Factory Mutual Research Corporation, Canadian Standards Association, and other ATEX/IECEX third party certifiers. Products covered are indicated by the Third Party Certifiers logo and file number on the individual catalog pages. There may be instances where not all products on a particular page containing a logo are listed. When certification information is required, consult the factory or refer to the appropriate certifier for listings.



KILLARK

Registered Logotype and Trademark of:
 Killark
 A Division of Hubbell Incorporated (Delaware)
 St. Louis, MO USA

Manufacturer of Electrical Products for Hazardous and Non-Hazardous Locations:
 Fittings, Enclosures, Distribution Equipment, Plugs and Receptacles, Controls and Lighting Fixtures.

ACCEPTOR® Plugs and Receptacles

ACCEPTOR is a registered trademark identifying Killark Interchangeable Plug and Receptacle System.



Always-Thread is a registered trademark identifying Killark Lubricant.

CELOX®

CELOX is a registered trademark identifying Killark epoxy resin.

CERTILITE® Lighting

CERTILITE is a registered trademark identifying Killark Luminaires.

CorroSAFE™ Electrical Conduit Fittings

CorroSAFE is a trademark identifying a protective coating.

CLENCHE® Cable Connectors

CLENCHE is a registered trademark identifying Killark Cable Connectors.

DURALOY® Electrical Conduit Fittings

DURALOY is a trademark identifying a Tri-Coat protective finish used on Iron Electrical Conduit Fittings.

ENVIORITE® Lighting

ENVIORITE is a registered trademark identifying Killark Luminaires.

INTRODUCTION

TRADEMARKS

EXPB™

EXPB is a trademark identifying Killark Panelboards.

HAZCON® Controls

HAZCON is a registered trademark identifying Killark Factory Sealed Control Stations.

HOSTILELITE® Lighting

HOSTILELITE is a registered trademark identifying Killark Luminaires.

HP20®

HP20 is a registered trademark identifying RigPower connectors.

K-PAK®

Is a registered trademark identifying Killark Shelf packaging.

LINEARLITE™ Lighting

LINEARLITE is a trademark identifying Killark Fluorescent Luminaires.

LINEARLITE™ E

LINEARLITE E is a trademark identifying Killark Emergency Fluorescent Luminaires.

MARIGARD® Lighting

MARIGARD is a registered trademark identifying Killark Stainless Steel Floodlights.

MCC-1™

MCC-1 is a trademark identifying RigPower connectors.

PETROBRIGHT®

PETROBRIGHT is a registered trademark identifying Killark Fluorescent Luminaires.

PRISM® Enclosures

PRISM is a registered trademark identifying Killark Enclosures, Motor Controls, Disconnect Switches and Panelboards.

QUANTUM® Enclosures for Hazardous & Hostile Locations

QUANTUM is a registered trademark identifying Killark Electrical Junction Boxes and Enclosures.

RMP® II

RMP is a registered trademark identifying RigPower connectors.

SEAL-X® Control Stations

SEAL-X is a registered trademark identifying Killark Factory Sealed Control Stations.

SEAL-XM® Factory Sealed Control Stations

SEAL-XM is a registered trademark identifying Killark Control Stations.

Secure Mount®

Secure Mount is a registered trademark identifying RigPower connectors.

StrateLine™

StrateLine is a trademark identifying Vantage connectors.

TECHNeTERM® Terminal Enclosures

TECHNeTERM is a registered trademark identifying Killark Increased Safety Terminal Enclosures.

Vantage® Technology Connectors

Vantage Technology is a trademark identifying Vantage Connectors

VersaMATE® Plugs & Receptacles

VersaMATE is a registered trademark identifying Killark Pin & Sleeve Plugs and Receptacles.

Z-SERIES® Cord and Cable Connectors

Z-SERIES is a registered trademark identifying Killark Cord and Cable Connectors.



CONTROLS TABLE OF CONTENTS



HAZCON Series
 HKH Non-Metallic Control Stations2-14
 Rocker Switch 15
 HKH Stainless Steel Control Stations.. 16-29
 Catalog Number Logic 30
 Hubs & Cable Glands31
 USF-CS / SJICH-CS Control Panels..... 32-37
 HKH Actuators & Accessories38-44



SEAL-XM Series
 Factory Sealed Control Stations45-50



FXCS Series
 Factory Sealed Control Stations 51-56



FXB Series
 Splice Boxes, Blank Cover, Spacer52



FXS Series
 Factory Sealed Tumbler Switches and
 Ground Fault Interrupter 57-59



XCS/XS/XST/SWB Series
 Control Stations
 External Sealing Required.....60-68



SWB Series
 Device Boxes61

SWB Series
 Conduit Opening Data 62



XCS Series
 Blank Covers 69



FXCS/XCS Series
 Accessories, Replacement Parts 69-70



XS/XST Series
 Tumbler Switches..... 71-72



XAL/XAS Series
 Fire Alarm Stations 73-74



GZ Series
 Control Panel Operators75-95



G Series
 Control Panel Operators 96-103



G Series
 Specialty Operators.....104



GCS / SWBC Series
 Control Station Enclosures105



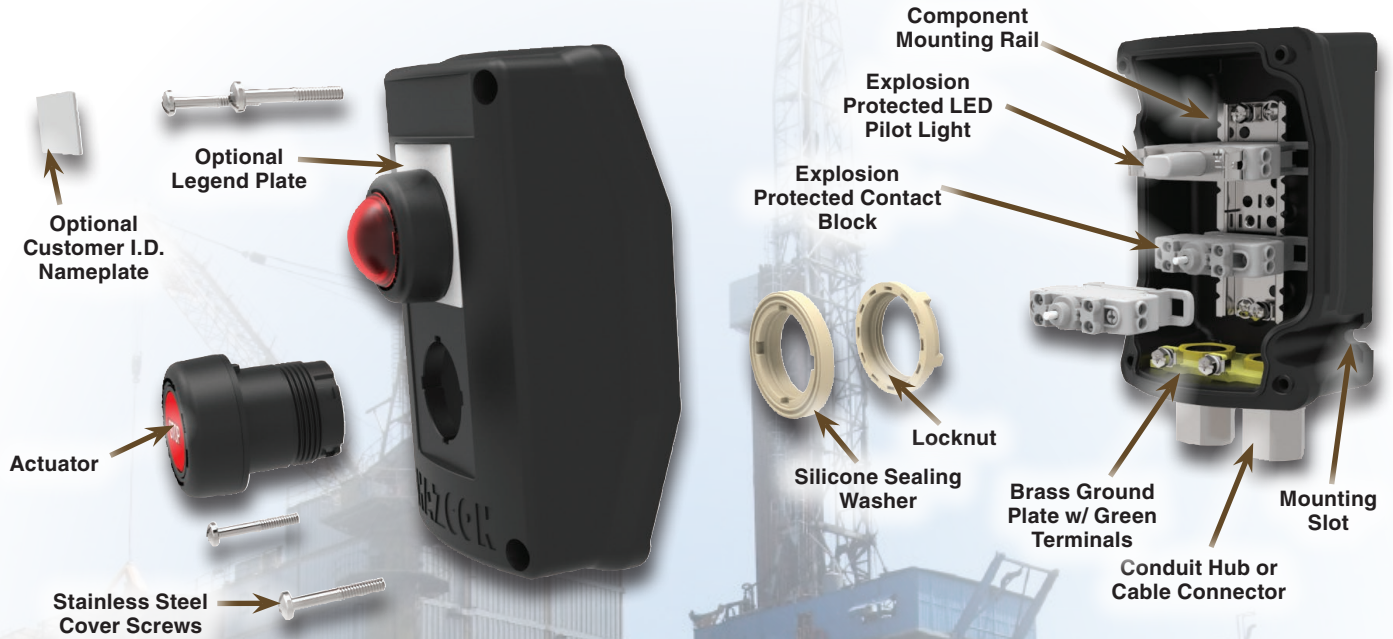
G Series
 Accessories/Replacement Parts..... 106-107

G Series
 Dimensions108

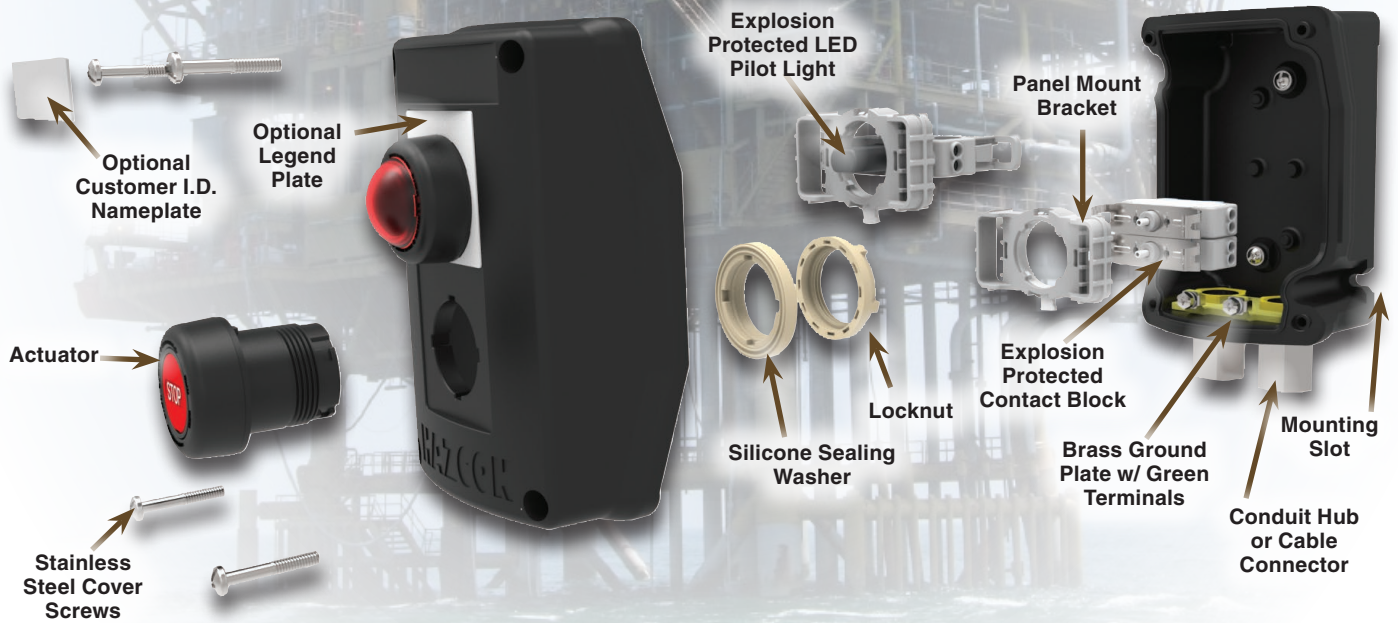


CONTROLS HKH SERIES

NON-METALLIC DIN RAIL MOUNT



NON-METALLIC PANEL MOUNT





NON-METALLIC CONFIGURATIONS

HAZCON®



ATEX/IECEX Certified

CE 0518 Ex II 2 G Ex db eb IIC T6...T4 Gb
0518 Ex II 2 D Ex tb IIIC T6...T4 Db IP66

DEMKO 15 ATEX 1405X

Ex db eb IIC T6...T4 Gb

Ex tb IIIC T85°C...T135°C Db IP66

IECEX UL 15.0054X

Ambient Range: -50°C < Ta < 60°C

cULus Certified

Class I, Zone 1, AEx db eb IIC T6...T4 Gb / Ex db eb IIC T6...T4 Gb X

Zone 21, AEx tb IIIC T85°C...T135°C Db IP66 / Ex tb IIIC T85°C...T135°C Db IP66 X

Class I, Division 2, Groups A, B, C, D
Class II, Division 1, Groups E, F, G
(Canada Only)

Class II, Division 2, Groups E, F, G
Class III

UL50, 50E, 508, UL60079-0, -1, -7, -31
Type 3, 4, 4X, 12, 13

Ambient Range: -50°C < Ta < 60°C

Complies with RoHS, WEEE, ATEX and Low Voltage directives.



FEATURES-SPECIFICATIONS

Features

- Size 1 Control Stations available as 1A, 1B, and 1C as standard catalog number offerings for 1, 2, and 3 device openings and will accept 2-M20 entries in either end. Ammeters available in 1B and 1C. Size 2 Enclosures available as 2A and 2C for 2, 4, and 6 device entries in cover with ability to accept 2-M25 entries in either end.
- Operating Temperature of -50°C to +60°C
- Contacts & Pilot lights can be mounted inside enclosure on Din Rail or Panel Mount in cover to the actuator.
- Accessories available for Lockout/Tag Out functions made in 316 stainless steel.

Materials

- Impact Resistant Non-Metallic PA6 Glass Reinforced Antistatic Material with f1 UV protection (protected against the most severe sunlight) and with a Flame Retardant rating of V-0.
- Silicone gasketing on all enclosures and operators throughout.
- Brass gland plates available for metric size applications.

Electrical Ratings

- Explosion Protected Contact Blocks, available in Normally Open (NO) or Normally Closed (NC) configurations, are rated for up to 690VAC, up to 20A Switching duty, and up to 1HP.
- Explosion Protected Pilot Lights rated for 12-250V AC/DC for UL applications and 12-254 V AC/DC for IEC applications.



CONTROLS HKH SERIES

STANDARD SIZE 1A NON-METALLIC CONFIGURATIONS



Momentary
Push Button



Momentary & Maintained
Mushroom P.B.



Pilot Light

The control stations on this page are the most commonly used configurations of pilot lights and push buttons. One entry listed is located at bottom.

HKH MOMENTARY SINGLE PUSH BUTTON							
CATALOG NUMBER		ENTRY SIZE	CONTACT ARRANGEMENT		CONTACT BLOCKS	BUTTON COLOR	LEGEND PLATE MARKING
DIN RAIL MOUNT	PANEL MOUNT		IEC	NEMA			
HKH1AND2P11K8	HKH1ANP2P11K8	3/4" NPT SS HUB			1 N.O. / 1 N.C.	Green: Start/(I)/Blank Red: Stop/(O)/Blank Black: Blank	None
HKH1ANDAP11	HKH1ANPAP11	M20 Clearance hole					
supplied with 7 colored and marked discs – see button color							

HKH MOMENTARY SINGLE PUSH BUTTON - MUSHROOM							
CATALOG NUMBER		ENTRY SIZE	CONTACT ARRANGEMENT		CONTACT BLOCKS	BUTTON COLOR	LEGEND PLATE MARKING
DIN RAIL MOUNT	PANEL MOUNT		IEC	NEMA			
HKH1AND2M11BK8 HKH1AND2M21AK8 HKH1AND2M310K8	HKH1ANP2M11BK8 HKH1ANP2M21AK8 HKH1ANP2M310K8	3/4" NPT SS HUB			1 N.O. / 1 N.C.	Red Green Black	Stop Start Blank
HKH1ANDAM11B HKH1ANDAM21A HKH1ANDAM310	HKH1ANPAM11B HKH1ANPAM21A HKH1ANPAM310	M20 Clearance hole				Red Green Black	Stop Start Blank

HKH MAINTAINED SINGLE PUSH PULL BUTTON - MUSHROOM							
CATALOG NUMBER		ENTRY SIZE	CONTACT ARRANGEMENT		CONTACT BLOCKS	BUTTON COLOR	LEGEND PLATE MARKING
DIN RAIL MOUNT	PANEL MOUNT		IEC	NEMA			
HKH1AND2M41BK8 HKH1AND2M51AK8 HKH1AND2M610K8	HKH1ANP2M41BK8 HKH1ANP2M51AK8 HKH1ANP2M610K8	3/4" NPT SS HUB			1 N.O. / 1 N.C.	Red Green Black	Stop Start Blank
HKH1ANDAM41B HKH1ANDAM51A HKH1ANDAM610	HKH1ANPAM41B HKH1ANPAM51A HKH1ANPAM610	M20 Clearance hole				Red Green Black	Stop Start Blank

HKH SINGLE PILOT LIGHT								
3/4" NPT SS HUB SUPPLIED		M20 CLEARANCE HOLE SUPPLIED		CONTACT ARRANGEMENT		LAMP VOLTAGE	COLOR	LEGEND PLATE MARKING
DIN RAIL MOUNT	PANEL MOUNT	DIN RAIL MOUNT	PANEL MOUNT	IEC	NEMA			
HKH1AND2LRL0K8 HKH1AND2LGL0K8 HKH1AND2LAL0K8 HKH1AND2LCL0K8 HKH1AND2LBL0K8	HKH1ANP2LRL0K8 HKH1ANP2LGL0K8 HKH1ANP2LAL0K8 HKH1ANP2LCL0K8 HKH1ANP2LBL0K8	HKH1ANDALRL0 HKH1ANDALGL0 HKH1ANDALALO HKH1ANDALCLO HKH1ANDALBLO	HKH1ANPALRL0 HKH1ANPALGL0 HKH1ANPALALO HKH1ANPALCLO HKH1ANPALBLO			12V-254V AC/DC IEC Ex 12V-250V AC/DC UL	Red LED Green LED Amber LED Clear LED Blue LED	Blank



STANDARD SIZE 1A NON-METALLIC CONFIGURATIONS



**Maintained
Mushroom P.B.
Pull Release**



**Maintained
Mushroom P.B.
Twist Release**



**Double
Momentary
Push Button**

The control stations on this page are the most commonly used configurations of mushroom push buttons and double push buttons. One entry listed is located at bottom.

HKH MAINTAINED MUSHROOM STAY PUT E-STOP							
CATALOG NUMBER		ENTRY SIZE	CONTACT ARRANGEMENT		CONTACT BLOCKS	BUTTON COLOR	LEGEND PLATE MARKING
DIN RAIL MOUNT	PANEL MOUNT		IEC	NEMA			
HKH1AND2M41EK8 (Pull Release) HKH1AND2M71EK8 (Twist Release)	HKH1ANP2M41EK8 (Pull Release) HKH1ANP2M71EK8 (Twist Release)	3/4" NPT SS HUB			1 N.O. / 1 N.C.	Red	Emergency Stop
HKH1ANDAM41E (Pull Release) HKH1ANDAM71E (Twist Release)	HKH1ANPAM41E (Pull Release) HKH1ANPAM71E (Twist Release)	M20 Clearance hole					

HKH DOUBLE MOMENTARY PUSH BUTTON, 1 N.O. START/1 N.C. STOP							
CATALOG NUMBER		ENTRY SIZE	CONTACT ARRANGEMENT		CONTACT BLOCKS	BUTTON COLOR	LEGEND PLATE MARKING
DIN RAIL MOUNT	PANEL MOUNT		IEC	NEMA			
HKH1AND2P21K8	HKH1ANP2P21K8	3/4" NPT SS HUB		START STOP 	1 N.O. / 1 N.C.	Green: Start/(I)/Blank Red: Stop/(O)/Blank Black: Blank	—
HKH1ANDAP21	HKH1ANPAP21	M20 Clearance hole					



CONTROLS HKH SERIES

STANDARD SIZE 1A NON-METALLIC CONFIGURATIONS



**2 Position
Selector Switch Maint. & Mom.**



**3 Position
Selector Switch Maint. & Mom.**

The control stations on this page are the most commonly used configurations of rotary selector switches. One entry listed is located at bottom.

HKH MAINTAINED 2-POSITION SELECTOR SWITCH						
CATALOG NUMBER		ENTRY SIZE	CONTACT ARRANGEMENT		CONTACT BLOCKS	LEGEND PLATE MARKING
DIN RAIL MOUNT	PANEL MOUNT		IEC	NEMA		
HKH1AND2S11SK8	HKH1ANP2S11SK8	3/4" NPT SS HUB		OFF ON	1 N.C. / 1 N.O.	Off-On
HKH1ANDAS11S	HKH1ANPAS11S	M20 Clearance hole				
HKH 2-POSITION SELECTOR SWITCH SPRING RETURN, MOM. RIGHT, MAINT. LEFT						
CATALOG NUMBER		ENTRY SIZE	CONTACT ARRANGEMENT		CONTACT BLOCKS	LEGEND PLATE MARKING
DIN RAIL MOUNT	PANEL MOUNT		IEC	NEMA		
HKH1AND2S210K8	HKH1ANP2S210K8	3/4" NPT SS HUB			1 N.C. / 1 N.O.	Blank
HKH1ANDAS210	HKH1ANPAS210	M20 Clearance hole				
HKH MAINTAINED 3-POSITION SELECTOR SWITCH INDEPENDENT CAM						
CATALOG NUMBER		ENTRY SIZE	CONTACT ARRANGEMENT		CONTACT BLOCKS	LEGEND PLATE MARKING
DIN RAIL MOUNT	PANEL MOUNT		IEC	NEMA		
HKH1AND2S349K8	HKH1ANP2S349K8	3/4" NPT SS HUB		HAND OFF AUTO	2 N.O.	Hand-Off-Auto
HKH1ANDAS349	HKH1ANPAS349	M20 Clearance hole				
HKH 3-POSITION SELECTOR SWITCH SPRING RETURN, MOM. LEFT & RIGHT, MAINT. CENTER						
CATALOG NUMBER		ENTRY SIZE	CONTACT ARRANGEMENT		CONTACT BLOCKS	LEGEND PLATE MARKING
DIN RAIL MOUNT	PANEL MOUNT		IEC	NEMA		
HKH1AND2S440K8	HKH1ANP2S440K8	3/4" NPT SS HUB			2 N.O.	Blank
HKH1ANDAS440	HKH1ANPAS440	M20 Clearance hole				
HKH 3-POSITION SELECTOR SWITCH SPRING RETURN, MOM. RIGHT, MAINT. CENTER & LEFT						
CATALOG NUMBER		ENTRY SIZE	CONTACT ARRANGEMENT		CONTACT BLOCKS	LEGEND PLATE MARKING
DIN RAIL MOUNT	PANEL MOUNT		IEC	NEMA		
HKH1AND2S540K8	HKH1ANP2S540K8	3/4" NPT SS HUB			2 N.O.	Blank
HKH1ANDAS540	HKH1ANPAS540	M20 Clearance hole				
HKH 3-POSITION SELECTOR SWITCH SPRING RETURN, MOM. LEFT, MAINT. CENTER & RIGHT						
CATALOG NUMBER		ENTRY SIZE	CONTACT ARRANGEMENT		CONTACT BLOCKS	LEGEND PLATE MARKING
DIN RAIL MOUNT	PANEL MOUNT		IEC	NEMA		
HKH1AND2S640K8	HKH1ANP2S640K8	3/4" NPT SS HUB			2 N.O.	Blank
HKH1ANDAS640	HKH1ANPAS640	M20 Clearance hole				



STANDARD SIZE 1A NON-METALLIC CONFIGURATIONS



2 Position
Key Selector SWT Maint. & Mom.



3 Position
Key Selector SWT Maint. & Mom.

The control stations on this page are the most commonly used configurations of keyed rotary selector switches. One entry hole listed is located at bottom.

HKH MAINTAINED 2-POSITION KEYED SELECTOR SWITCH						
CATALOG NUMBER		ENTRY SIZE	CONTACT ARRANGEMENT		CONTACT BLOCKS	LEGEND PLATE MARKING
DIN RAIL MOUNT	PANEL MOUNT		IEC	NEMA		
HKH1AND2K11SK8	HKH1ANP2K11SK8	3/4" NPT SS HUB		OFF	1 N.C. / 1 N.O.	Off-On
HKH1ANDAK11S	HKH1ANPAK11S	M20 Clearance hole		ON		
HKH 2-POSITION KEYED SELECTOR SWITCH SPRING RETURN, MOM. RIGHT, MAINT. LEFT						
CATALOG NUMBER		ENTRY SIZE	CONTACT ARRANGEMENT		CONTACT BLOCKS	LEGEND PLATE MARKING
DIN RAIL MOUNT	PANEL MOUNT		IEC	NEMA		
HKH1AND2K210K8	HKH1ANP2K210K8	3/4" NPT SS HUB			1 N.C. / 1 N.O.	Blank
HKH1ANDAK210	HKH1ANPAK210	M20 Clearance hole				
HKH MAINTAINED 3-POSITION KEYED SELECTOR SWITCH INDEPENDENT CAM						
CATALOG NUMBER		ENTRY SIZE	CONTACT ARRANGEMENT		CONTACT BLOCKS	LEGEND PLATE MARKING
DIN RAIL MOUNT	PANEL MOUNT		IEC	NEMA		
HKH1AND2K349K8	HKH1ANP2K349K8	3/4" NPT SS HUB		HAND OFF AUTO	2 N.O.	Hand-Off-Auto
HKH1ANDAK349	HKH1ANPAK349	M20 Clearance hole				
HKH 3-POSITION KEYED SELECTOR SWITCH SPRING RETURN, MOM. LEFT & RIGHT, MAINT. CENTER						
CATALOG NUMBER		ENTRY SIZE	CONTACT ARRANGEMENT		CONTACT BLOCKS	LEGEND PLATE MARKING
DIN RAIL MOUNT	PANEL MOUNT		IEC	NEMA		
HKH1AND2K440K8	HKH1ANP2K440K8	3/4" NPT SS HUB			2 N.O.	Blank
HKH1ANDAK440	HKH1ANPAK440	M20 Clearance hole				
HKH 3-POSITION KEYED SELECTOR SWITCH SPRING RETURN, MOM. RIGHT, MAINT. CENTER & LEFT						
CATALOG NUMBER		ENTRY SIZE	CONTACT ARRANGEMENT		CONTACT BLOCKS	LEGEND PLATE MARKING
DIN RAIL MOUNT	PANEL MOUNT		IEC	NEMA		
HKH1AND2K540K8	HKH1ANP2K540K8	3/4" NPT SS HUB			2 N.O.	Blank
HKH1ANDAK540	HKH1ANPAK540	M20 Clearance hole				
HKH 3-POSITION KEYED SELECTOR SWITCH SPRING RETURN, MOM. LEFT, MAINT. CENTER & RIGHT						
CATALOG NUMBER		ENTRY SIZE	CONTACT ARRANGEMENT		CONTACT BLOCKS	LEGEND PLATE MARKING
DIN RAIL MOUNT	PANEL MOUNT		IEC	NEMA		
HKH1AND2K640K8	HKH1ANP2K640K8	3/4" NPT SS HUB			2 N.O.	Blank
HKH1ANDAK640	HKH1ANPAK640	M20 Clearance hole				



CONTROLS HKH SERIES

STANDARD SIZE 1B NON-METALLIC CONFIGURATIONS



Momentary Push Button

Momentary Mushroom P.B.

Momentary Start-Stop Push Buttons

Pilot Light

The control stations on this page are the most commonly used configurations, including combinations of pilot lights and push buttons. One entry listed is located at bottom.

HKH MOMENTARY SINGLE PUSH BUTTON							
CATALOG NUMBER		ENTRY SIZE	CONTACT ARRANGEMENT		CONTACT BLOCKS	BUTTON COLOR	LEGEND PLATE MARKING
DIN RAIL MOUNT	PANEL MOUNT		IEC	NEMA			
HKH1BND2P11K8	HKH1BNP2P11K8	3/4" NPT SS HUB			1 N.O. / 1 N.C.	Green: Start/(I)/Blank Red: Stop/(O)/Blank Black: Blank	None
HKH1BNDAP11	HKH1BNPAP11	M20 Clearance hole					
supplied with 7 colored and marked discs – see button color							

HKH MOMENTARY SINGLE PUSH BUTTON - MUSHROOM							
CATALOG NUMBER		ENTRY SIZE	CONTACT ARRANGEMENT		CONTACT BLOCKS	BUTTON COLOR	LEGEND PLATE MARKING
DIN RAIL MOUNT	PANEL MOUNT		IEC	NEMA			
HKH1BND2M11BK8 HKH1BND2M21AK8 HKH1BND2M31OK8	HKH1BNP2M11BK8 HKH1BNP2M21AK8 HKH1BNP2M31OK8	3/4" NPT SS HUB			1 N.O. / 1 N.C.	Red Green Black	Stop Start Blank
HKH1BNDAM11B HKH1BNDAM21A HKH1BNDAM31O	HKH1BNPAM11B HKH1BNPAM21A HKH1BNPAM31O	M20 Clearance hole				Red Green Black	Stop Start Blank

HKH DOUBLE MOMENTARY START-STOP PUSH BUTTONS							
CATALOG NUMBER		ENTRY SIZE	CONTACT ARRANGEMENT		CONTACT BLOCKS	BUTTON COLOR	LEGEND PLATE MARKING
DIN RAIL MOUNT	PANEL MOUNT		IEC	NEMA			
HKH1BND2P11P11K8	HKH1BNP2P11P11K8	3/4" NPT SS HUB			1 N.O. / 1 N.C.	Green, Start, (I) Red, Stop, (O)	—
HKH1BNDAP11P11	HKH1BNPAP11P11	M20 Clearance hole			1 N.O. / 1 N.C.		

HKH SINGLE PILOT LIGHT								
3/4" NPT SS HUB SUPPLIED		M20 CLEARANCE HOLE SUPPLIED		CONTACT ARRANGEMENT		LAMP VOLTAGE	COLOR	LEGEND PLATE MARKING
DIN RAIL MOUNT	PANEL MOUNT	DIN RAIL MOUNT	PANEL MOUNT	IEC	NEMA			
HKH1BND2LRLOK8 HKH1BND2LGLOK8 HKH1BND2LALOK8 HKH1BND2LCLK8 HKH1BND2LBLK8	HKH1BNP2LRLOK8 HKH1BNP2LGLOK8 HKH1BNP2LALOK8 HKH1BNP2LCLK8 HKH1BNP2LBLK8	HKH1BNDALRLO HKH1BNDALGLO HKH1BNDALALO HKH1BNDALCLO HKH1BNDALBLO	HKH1BNPALRLO HKH1BNPALGLO HKH1BNPALALO HKH1BNPALCLO HKH1BNPALBLO			12V-254V AC/DC IEC Ex 12V-250V AC/DC UL	Red LED Green LED Amber LED Clear LED Blue LED	Blank



STANDARD SIZE 1B NON-METALLIC CONFIGURATIONS



Maintained
Mushroom P.B.
Pull Release

Maintained
Mushroom P.B.
Twist Release

Double
Pilot Light

Pilot Light &
Double Momentary
Push Button

The control stations on this page are the most commonly used configurations, including combinations of pilot lights and push buttons. One entry listed is located at bottom.

HKH MAINTAINED MUSHROOM STAY PUT E-STOP							
CATALOG NUMBER		ENTRY SIZE	CONTACT ARRANGEMENT		CONTACT BLOCKS	BUTTON COLOR	LEGEND PLATE MARKING
DIN RAIL MOUNT	PANEL MOUNT		IEC	NEMA			
HKH1BND2M41EK8 (Pull Release) HKH1BND2M71EK8 (Twist Release)	HKH1BNP2M41EK8 (Pull Release) HKH1BNP2M71EK8 (Twist Release)	3/4" NPT SS HUB			1 N.O. / 1 N.C.	Red	Emergency Stop
HKH1BNDAM41E (Pull Release) HKH1BNDAM71E (Twist Release)	HKH1BNPAM41E (Pull Release) HKH1BNPAM71E (Twist Release)	M20 Clearance hole					

HKH MAINTAINED SINGLE PUSH PULL BUTTON - MUSHROOM							
CATALOG NUMBER		ENTRY SIZE	CONTACT ARRANGEMENT		CONTACT BLOCKS	BUTTON COLOR	LEGEND PLATE MARKING
DIN RAIL MOUNT	PANEL MOUNT		IEC	NEMA			
HKH1BND2M41BK8 HKH1BND2M51AK8 HKH1BND2M61OK8	HKH1BNP2M41BK8 HKH1BNP2M51AK8 HKH1BNP2M61OK8	3/4" NPT SS HUB			1 N.O. / 1 N.C.	Red Green Black	Stop Start Blank
HKH1BNDAM41B HKH1BNDAM51A HKH1BNDAM610	HKH1BNPAM41B HKH1BNPAM51A HKH1BNPAM610	M20 Clearance hole				Red Green Black	Stop Start Blank

HKH DOUBLE PILOT LIGHT								
3/4" NPT SS HUB SUPPLIED		M20 CLEARANCE HOLE SUPPLIED		CONTACT ARRANGEMENT		LAMP VOLTAGE	COLOR	LEGEND PLATE MARKING
DIN RAIL MOUNT	PANEL MOUNT	DIN RAIL MOUNT	PANEL MOUNT	IEC	NEMA			
HKH1BND2LRL0LGL0K8 HKH1BND2LRL0LRL0K8 HKH1BND2LGL0LGL0K8	HKH1BNP2LRL0LGL0K8 HKH1BNP2LRL0LRL0K8 HKH1BNP2LGL0LGL0K8	HKH1BNDALRL0LGL0 HKH1BNDALRL0LRL0 HKH1BNDALGL0LGL0	HKH1BNPALRL0LGL0 HKH1BNPALRL0LRL0 HKH1BNPALGL0LGL0			12V-254V AC/DC IEC Ex 12V-250V AC/DC UL	Red/Green Red/Red Green/Green	Blank

HKH DOUBLE MOMENTARY PUSH BUTTON & PILOT LIGHT								
CATALOG NUMBER		ENTRY SIZE	CONTACT ARRANGEMENT		LAMP VOLTAGE	CONTACT BLOCKS	BUTTON COLOR	LEGEND PLATE MARKING
DIN RAIL MOUNT	PANEL MOUNT		IEC	NEMA				
HKH1BND2LRL0P21K8	HKH1BNP2LRL0P21K8	3/4" NPT SS HUB			12V-254V, AC/DC	1 N.O. 1 N.C.	Green, Start, (I)	—
HKH1BNDALRL0P21	HKH1BNPALRL0P21	M20 Clearance hole					Red, Stop, (O)	—



CONTROLS HKH SERIES

STANDARD SIZE 1B NON-METALLIC CONFIGURATIONS



2 Position
Selector Switch
Maint. & Mom.



3 Position
Selector Switch
Maint. & Mom.

The control stations on this page are the most commonly used configurations of rotary selector switches. One entry listed is located at bottom.

HKH MAINTAINED 2-POSITION SELECTOR SWITCH						
CATALOG NUMBER		ENTRY SIZE	CONTACT ARRANGEMENT		CONTACT BLOCKS	LEGEND PLATE MARKING
DIN RAIL MOUNT	PANEL MOUNT		IEC	NEMA		
HKH1BND2S11SK8	HKH1BNP2S11SK8	3/4" NPT SS HUB		OFF ON	1 N.C. / 1 N.O.	Off-On
HKH1BNDAS11S	HKH1BNPAS11S	M20 Clearance hole				
HKH 2-POSITION SELECTOR SWITCH SPRING RETURN, MOM. RIGHT, MAINT. LEFT						
CATALOG NUMBER		ENTRY SIZE	CONTACT ARRANGEMENT		CONTACT BLOCKS	LEGEND PLATE MARKING
DIN RAIL MOUNT	PANEL MOUNT		IEC	NEMA		
HKH1BND2S210K8	HKH1BNP2S210K8	3/4" NPT SS HUB			1 N.C. / 1 N.O.	Blank
HKH1BNDAS210	HKH1BNPAS210	M20 Clearance hole				
HKH MAINTAINED 3-POSITION SELECTOR SWITCH INDEPENDENT CAM						
CATALOG NUMBER		ENTRY SIZE	CONTACT ARRANGEMENT		CONTACT BLOCKS	LEGEND PLATE MARKING
DIN RAIL MOUNT	PANEL MOUNT		IEC	NEMA		
HKH1BND2S349K8	HKH1BNP2S349K8	3/4" NPT SS HUB		HAND OFF AUTO	2 N.O.	Hand-Off-Auto
HKH1BNDAS349	HKH1BNPAS349	M20 Clearance hole				
HKH 3-POSITION SELECTOR SWITCH SPRING RETURN, MOM. LEFT & RIGHT, MAINT. CENTER						
CATALOG NUMBER		ENTRY SIZE	CONTACT ARRANGEMENT		CONTACT BLOCKS	LEGEND PLATE MARKING
DIN RAIL MOUNT	PANEL MOUNT		IEC	NEMA		
HKH1BND2S440K8	HKH1BNP2S440K8	3/4" NPT SS HUB			2 N.O.	Blank
HKH1BNDAS440	HKH1BNPAS440	M20 Clearance hole				
HKH 3-POSITION SELECTOR SWITCH SPRING RETURN, MOM. RIGHT, MAINT. CENTER & LEFT						
CATALOG NUMBER		ENTRY SIZE	CONTACT ARRANGEMENT		CONTACT BLOCKS	LEGEND PLATE MARKING
DIN RAIL MOUNT	PANEL MOUNT		IEC	NEMA		
HKH1BND2S540K8	HKH1BNP2S540K8	3/4" NPT SS HUB			2 N.O.	Blank
HKH1BNDAS540	HKH1BNPAS540	M20 Clearance hole				
HKH 3-POSITION SELECTOR SWITCH SPRING RETURN, MOM. LEFT, MAINT. CENTER & RIGHT						
CATALOG NUMBER		ENTRY SIZE	CONTACT ARRANGEMENT		CONTACT BLOCKS	LEGEND PLATE MARKING
DIN RAIL MOUNT	PANEL MOUNT		IEC	NEMA		
HKH1BND2S640K8	HKH1BNP2S640K8	3/4" NPT SS HUB			2 N.O.	Blank
HKH1BNDAS640	HKH1BNPAS640	M20 Clearance hole				



STANDARD SIZE 1B NON-METALLIC CONFIGURATIONS



**2 Position
Key Selector SWT
Maint. & Mom.**



**3 Position
Key Selector SWT
Maint. & Mom.**

The control stations on this page are the most commonly used configurations of keyed rotary selector switches. One entry hole listed is located at bottom.

HKH MAINTAINED 2-POSITION KEYED SELECTOR SWITCH						
CATALOG NUMBER		ENTRY SIZE	CONTACT ARRANGEMENT		CONTACT BLOCKS	LEGEND PLATE MARKING
DIN RAIL MOUNT	PANEL MOUNT		IEC	NEMA		
HKH1BND2K11SK8	HKH1BNP2K11SK8	3/4" NPT SS HUB		OFF ●●	1 N.C. / 1 N.O.	Off-On
HKH1BNDAK11S	HKH1BNPAK11S	M20 Clearance hole		ON ●●		
HKH 2-POSITION KEYED SELECTOR SWITCH SPRING RETURN, MOM. RIGHT, MAINT. LEFT						
CATALOG NUMBER		ENTRY SIZE	CONTACT ARRANGEMENT		CONTACT BLOCKS	LEGEND PLATE MARKING
DIN RAIL MOUNT	PANEL MOUNT		IEC	NEMA		
HKH1BND2K210K8	HKH1BNP2K210K8	3/4" NPT SS HUB		●●	1 N.C. / 1 N.O.	Blank
HKH1BNDAK210	HKH1BNPAK210	M20 Clearance hole		●●		
HKH MAINTAINED 3-POSITION KEYED SELECTOR SWITCH INDEPENDENT CAM						
CATALOG NUMBER		ENTRY SIZE	CONTACT ARRANGEMENT		CONTACT BLOCKS	LEGEND PLATE MARKING
DIN RAIL MOUNT	PANEL MOUNT		IEC	NEMA		
HKH1BND2K349K8	HKH1BNP2K349K8	3/4" NPT SS HUB		HAND OFF AUTO ●● ●● ●●	2 N.O.	Hand-Off-Auto
HKH1BNDAK349	HKH1BNPAK349	M20 Clearance hole		●● ●● ●●		
HKH 3-POSITION KEYED SELECTOR SWITCH SPRING RETURN, MOM. LEFT & RIGHT, MAINT. CENTER						
CATALOG NUMBER		ENTRY SIZE	CONTACT ARRANGEMENT		CONTACT BLOCKS	LEGEND PLATE MARKING
DIN RAIL MOUNT	PANEL MOUNT		IEC	NEMA		
HKH1BND2K440K8	HKH1BNP2K440K8	3/4" NPT SS HUB		●● ●● ●●	2 N.O.	Blank
HKH1BNDAK440	HKH1BNPAK440	M20 Clearance hole		●● ●● ●●		
HKH 3-POSITION KEYED SELECTOR SWITCH SPRING RETURN, MOM. RIGHT, MAINT. CENTER & LEFT						
CATALOG NUMBER		ENTRY SIZE	CONTACT ARRANGEMENT		CONTACT BLOCKS	LEGEND PLATE MARKING
DIN RAIL MOUNT	PANEL MOUNT		IEC	NEMA		
HKH1BND2K540K8	HKH1BNP2K540K8	3/4" NPT SS HUB		●● ●● ●●	2 N.O.	Blank
HKH1BNDAK540	HKH1BNPAK540	M20 Clearance hole		●● ●● ●●		
HKH 3-POSITION KEYED SELECTOR SWITCH SPRING RETURN, MOM. LEFT, MAINT. CENTER & RIGHT						
CATALOG NUMBER		ENTRY SIZE	CONTACT ARRANGEMENT		CONTACT BLOCKS	LEGEND PLATE MARKING
DIN RAIL MOUNT	PANEL MOUNT		IEC	NEMA		
HKH1BND2K640K8	HKH1BNP2K640K8	3/4" NPT SS HUB		●● ●● ●●	2 N.O.	Blank
HKH1BNDAK640	HKH1BNPAK640	M20 Clearance hole		●● ●● ●●		



CONTROLS HKH SERIES

STANDARD SIZE 1C NON-METALLIC CONFIGURATIONS



The control stations on this page are the most commonly used configurations, including combinations of pilot lights, push buttons, rotary selector switches, and ammeters.

One entry hole listed is located at bottom.

HKH RED PILOT LIGHT & TWO MOMENTARY PUSH BUTTONS								
CATALOG NUMBER		ENTRY SIZE	CONTACT ARRANGEMENT		LAMP VOLTAGE	CONTACT BLOCKS	BUTTON COLOR	LEGEND PLATE MARKING
DIN RAIL MOUNT	PANEL MOUNT		IEC	NEMA				
HKHMOD000001	HKHMOD000002	3/4" NPT SS HUB			12V-254V AC/DC IEC Ex 12V-250V AC/DC UL	1 N.C.	Red Stop (I)	Blank
HKHMOD000003	HKHMOD000004	M20 Clearance hole				1 N.O.	Green Start (O)	

HKH THREE MOMENTARY PUSH BUTTONS								
CATALOG NUMBER		ENTRY SIZE	CONTACT ARRANGEMENT		CONTACT BLOCKS	BUTTON COLOR	LEGEND PLATE MARKING	
DIN RAIL MOUNT	PANEL MOUNT		IEC	NEMA				
HKHMOD000005	HKHMOD000006	3/4" NPT SS HUB			1 N.O. / 1 N.C. 1 N.O. / 1 N.C. 1 N.O. / 1 N.C.	Green: Start/(I)/Blank Red: Stop/(O)/Blank Black: Blank	Blank	
HKHMOD000007	HKHMOD000008	M20 Clearance hole						

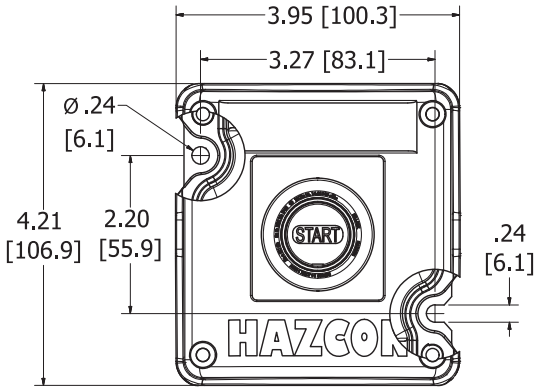
HKH RED PILOT LIGHT, MUSHROOM MAINTAINED P.B., DOUBLE MOMENTARY P.B.								
CATALOG NUMBER		ENTRY SIZE	CONTACT ARRANGEMENT		LAMP VOLTAGE	CONTACT BLOCKS	BUTTON COLOR	LEGEND PLATE MARKING
DIN RAIL MOUNT	PANEL MOUNT		IEC	NEMA				
HKHMOD000009 (Pull Release)	HKHMOD000010 (Pull Release)	3/4" NPT SS HUB			12V-254V AC/DC IEC Ex 12V-250V AC/DC UL	1 N.O. / 1 N.C. 1 N.O. / 1 N.C.	Red Green: Start/(I)/Blank Red: Stop/(O)/Blank	Blank Emergency Stop
HKHMOD000011 (Twist Release)	HKHMOD000012 (Twist Release)							
HKHMOD000013 (Pull Release)	HKHMOD000014 (Pull Release)	M20 Clearance hole			1 N.O. / 1 N.C. 1 N.O. / 1 N.C.	1 N.O. / 1 N.C. 1 N.O. / 1 N.C.	Red Green: Start/(I)/Blank Red: Stop/(O)/Blank	Blank Emergency Stop
HKHMOD000015 (Twist Release)	HKHMOD000016 (Twist Release)							

HKH 72MM AMMETER & 2 POSITION MAINT. SELECTOR SWITCH								
CATALOG NUMBER ①		ENTRY SIZE	CONTACT ARRANGEMENT		CONTACT BLOCKS	BUTTON COLOR	LEGEND PLATE MARKING	
DIN RAIL MOUNT	PANEL MOUNT		IEC	NEMA				
HKHMOD000017	HKHMOD000018	3/4" NPT SS HUB			1 N.C. / 1 N.O.	—	Blank	
HKHMOD000019	HKHMOD000020	M20 Clearance hole						

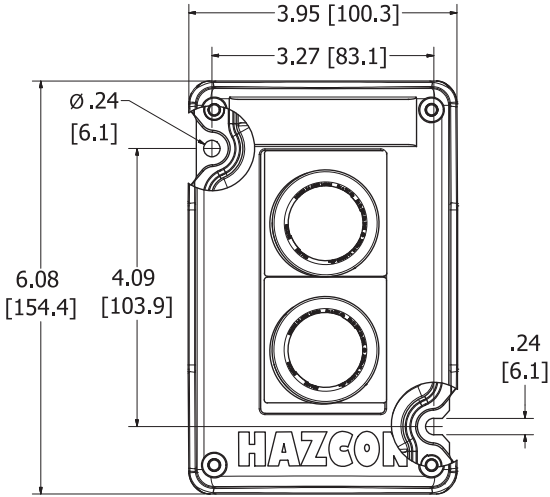
① Consult Factory for other scale ranges and for Voltmeter options.



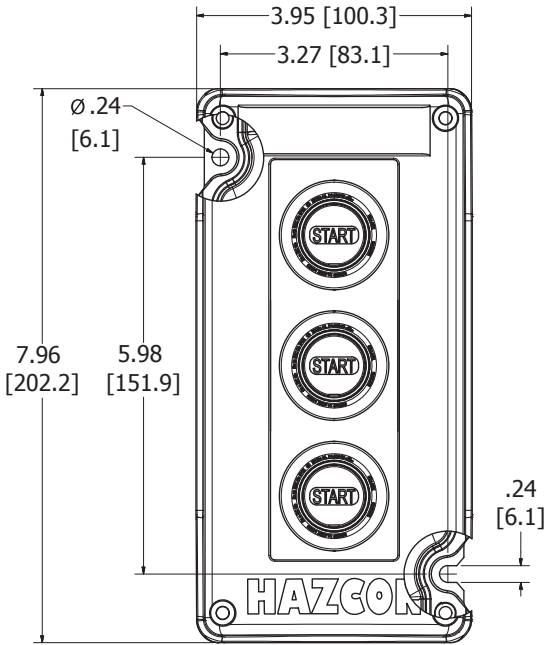
DIMENSIONAL DATA - SIZE 1 NON-METALLIC ENCLOSURES



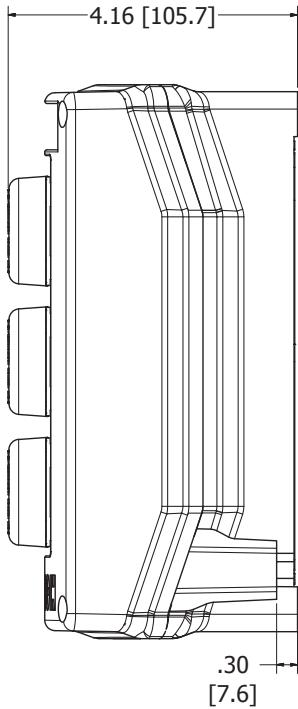
SIZE 1A



SIZE 1B



SIZE 1C



CLEARANCE HOLE FOR NPT FITTING	LOGIC CODE
1/2" Top Feed	7
1/2" Bottom Feed	1
1/2" Feed Through	4
3/4" Top Feed	8
3/4" Bottom Feed	2
3/4" Feed Through	5
1" Top Feed	9
1" Bottom Feed	3
1" Feed Through	6
CLEARANCE HOLE FOR METRIC FITTING	LOGIC CODE
M20 Top Feed	C
M20 Bottom Feed	A
M20 Feed Through	B
2 x M20 Top Feed	F
2 x M20 Bottom Feed	D
M25 Top Feed	J
M25 Bottom Feed	G
M25 Feed Through	H



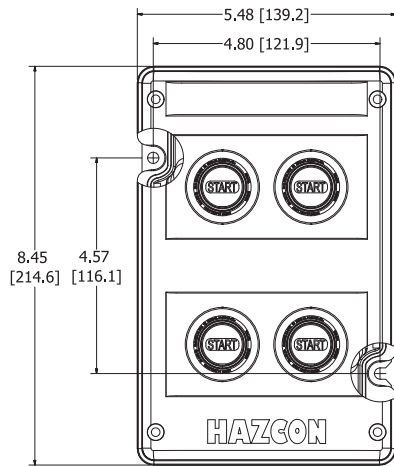
CONTROLS HKH SERIES

SIZE 2A & 2C NON-METALLIC

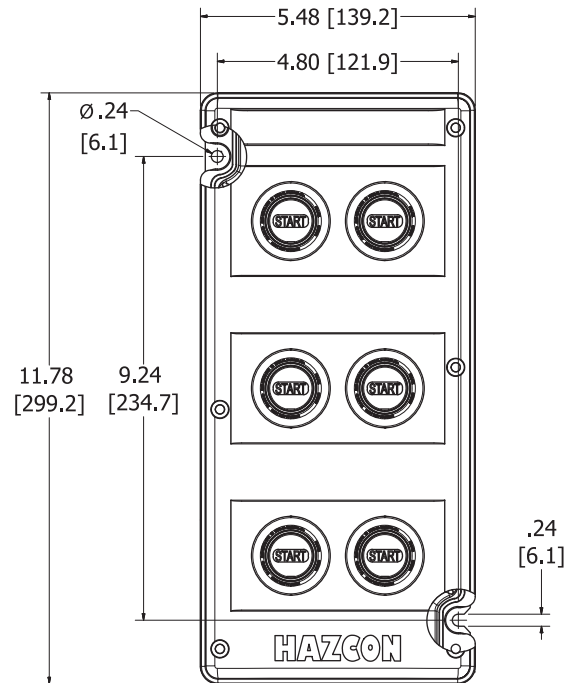
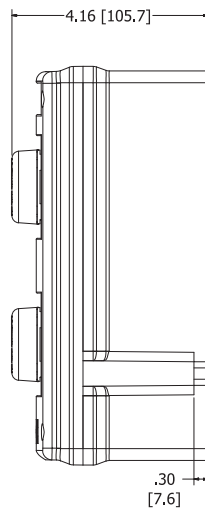


Size 2A and 2C control stations can be factory ordered to include combinations of pilot lights, push buttons, rotary selector switches, ammeters, and terminal blocks. Entry holes can be located on all sides.

Double Push button, HKHDBLPBMMGR, not available on Size 2A - 4 Device or 2C - 6 Device covers



Size 2A



Size 2C
(Depth same as 2A)

CLEARANCE HOLE FOR NPT FITTING	LOGIC CODE
1/2" Top Feed	7
1/2" Bottom Feed	1
1/2" Feed Through	4
3/4" Top Feed	8
3/4" Bottom Feed	2
3/4" Feed Through	5

CLEARANCE HOLE FOR METRIC FITTING	LOGIC CODE
2 x M20 Top Feed	F
2 x M20 Bottom Feed	D
2 x M20 Feed Through	E
2 x M25 Top Feed	M
2 x m25 Bottom Feed	K
2 x M25 Feed Through	L
M32 Top Feed	Q
M32 Bottom Feed	N
M32 Feed Through	P

DRILLED & TAPPED FOR METRIC FITTING	LOGIC CODE
2 x M20 Bottom Feed	T
2 x M25 Bottom Feed	U
M32 Bottom Feed	V



SIZE 1 NON-METALLIC 2 POLE ROCKER SWITCH

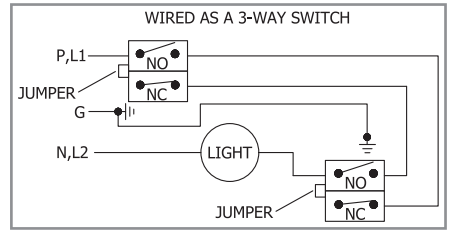


Size 1A

Rocker Switch with Double Pole, Single Throw action
Luminous fluorescent strip supplied for ease of locating.
One entry listed is located at bottom.

CONTACT BLOCK FEATURES:

- **UL ELECTRICAL RATING:** 690Vac, 20A, 50-60Hz, 60Vdc, 5A, 110Vdc, 2A, 255Vdc, 1.5A, 1/2 HP @120Vac, 1 HP@208/240/277Vac, A600/P600- Pilot Duty 350Vac-Tungsten Lamp.
- **WIRE ALLOWANCES:** WIRE RANGE with 1 or 2 WIRES: #22 to #12 AWG (SOL & STR) and #10 AWG (STR).
- **IEC ELECTRICAL RATINGS:** AC690V 16A AC-12, 50-60 Hz, AC230V 16A AC-15, 50-60Hz, DC60V 5A DC-12, DC125 1A DC-13.
- **WIRE ALLOWANCES:** WIRE RANGE with 1 or 2 WIRES: 0.5 to 2.5mm (SOL & STR) and 4.0mm² (STR)
- Silver Alloy contacts with Gold Flashing.



① Can be wired as 3 way switch when jumper installed. See instruction sheet supplied with switch enclosure.

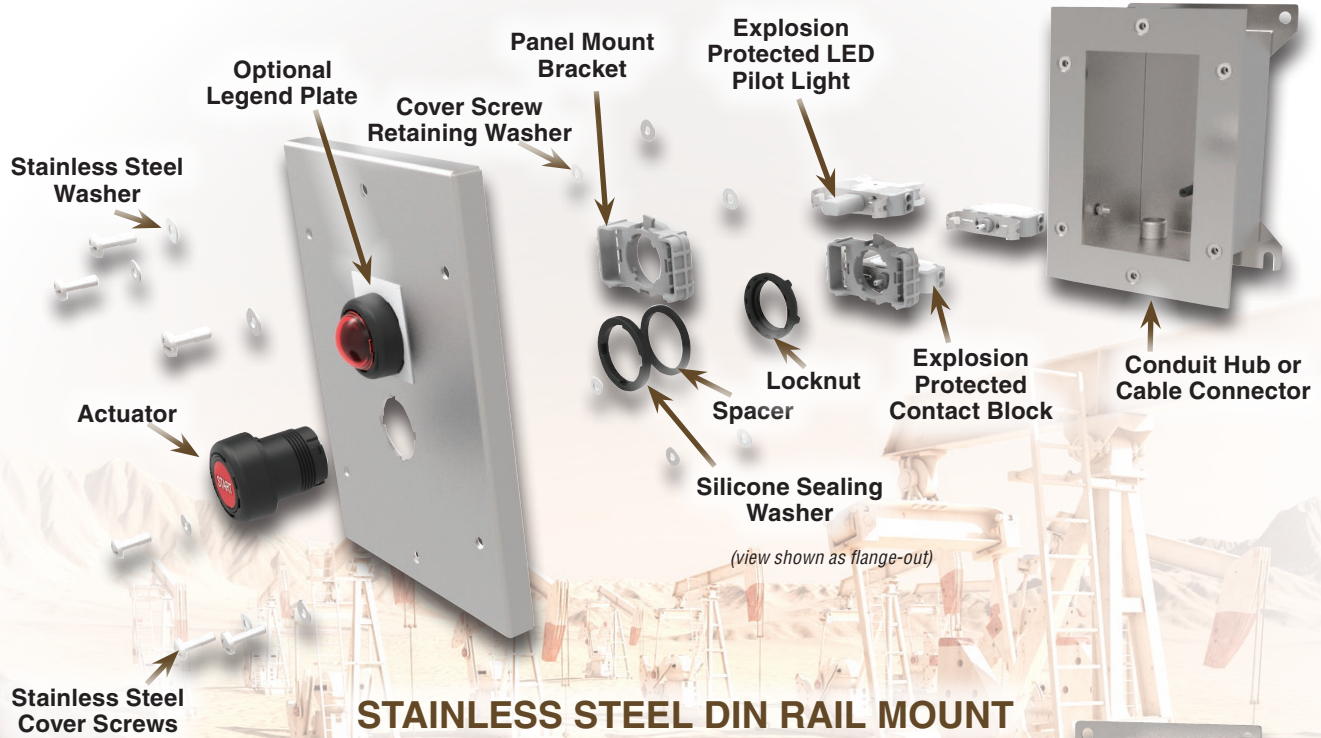
HKH ROCKER SWITCH MAINTAINED IN 2 POSITIONS				
CATALOG NUMBER DIN RAIL MOUNT	ENTRY SIZE	CONTACT ARRANGEMENT		CONTACT BLOCKS
		IEC	NEMA	
HKH1AND2RS4K8	3/4" NPT SS HUB			2 N.O.
HKH1ANDARS4	M20 Clearance hole			
HKH1AND2RS1K8 ①	3/4" NPT SS HUB			1 N.C. / 1 N.O.
HKH1ANDARS1 ①	M20 Clearance hole			
HKH1BND2RS4K8	3/4" NPT SS HUB			2 N.O.
HKH1BNDARS4	M20 Clearance hole			
HKH1BND2RS1K8 ①	3/4" NPT SS HUB			1 N.C. / 1 N.O.
HKH1BNDARS1 ①	M20 Clearance hole			

Available in HKH Size 1c also as 1 or 2 Rocker Switches and 1 Rocker Switch with 1 other actuator top or bottom.

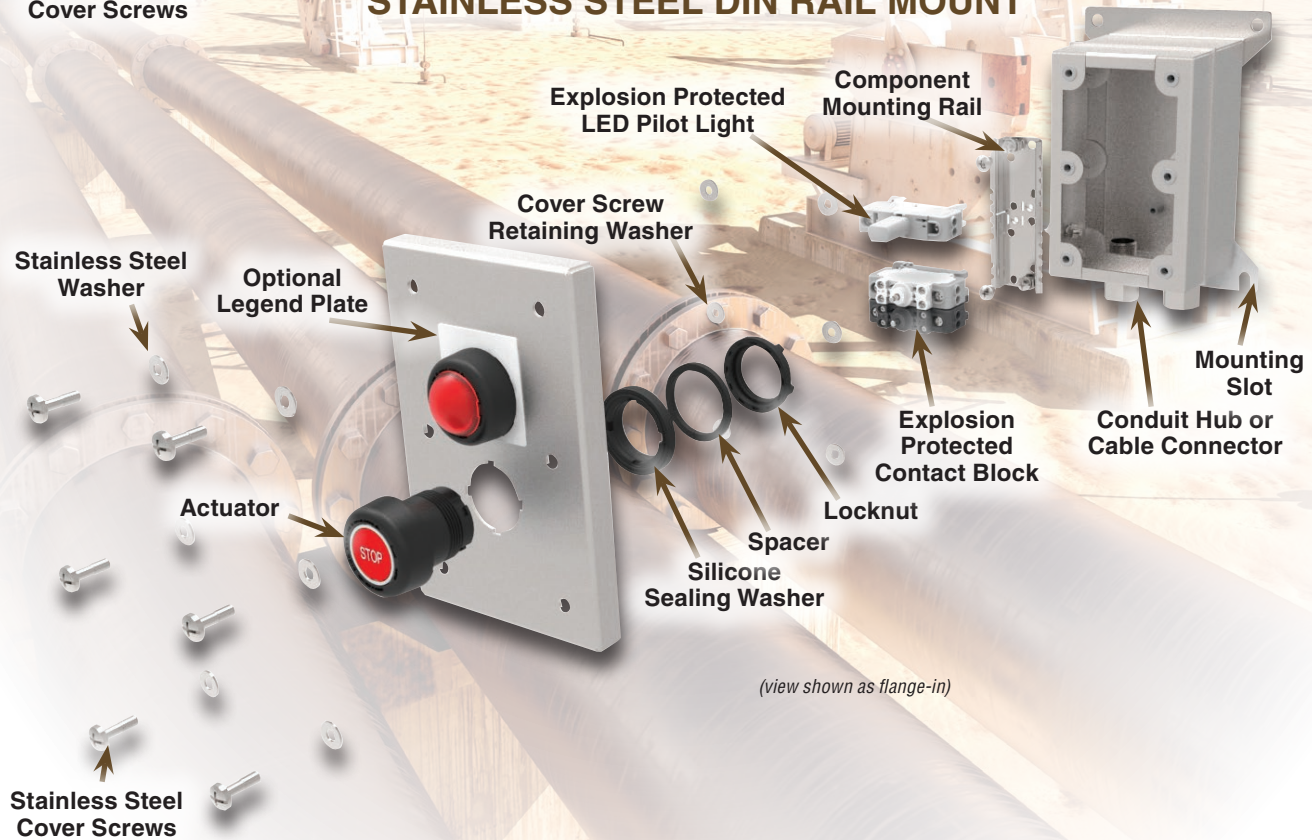


CONTROLS HKH SERIES

STAINLESS STEEL PANEL MOUNT



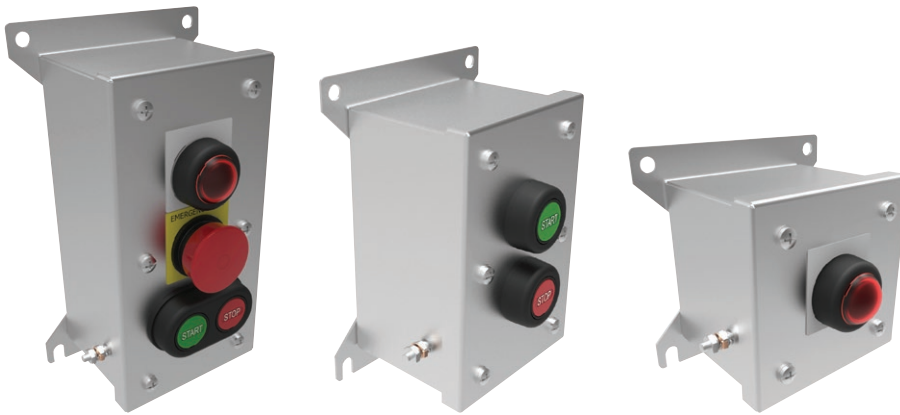
STAINLESS STEEL DIN RAIL MOUNT





STAINLESS STEEL CONFIGURATIONS

HAZCON®



ATEX/IECEx Certified

CE 0518 II 2 G Ex db eb IIC T6...T4 Gb
0518 II 2 D Ex tb IIIC T6...T4 Db
IP66

DEMKO 15 ATEX 1405X

Ex db eb IIC T6...T4 Gb

Ex tb IIIC T85°C...T135°C Db IP66

IECEx UL 15.0054X

Ambient Range: -50°C < Ta < 60°C

cULus Certified

Class I, Zone 1, AEx db eb IIC T6...T4 Gb /

Ex db eb IIC T6...T4 Gb X

Zone 21, AEx tb IIIC T85°C...T135°C Db IP66

/ Ex tb IIIC T85°C...T135°C Db IP66 X

Class I, Division 2, Groups A, B, C, D

Class II, Division 1, Groups E, F, G

(Canada Only)

Class II, Division 2, Groups E, F, G

Class III

UL50, 50E, 508, UL60079-0, -1, -7, -31

Type 3, 4, 4X, 12, 13

Ambient Range: -50°C < Ta < 60°C

Complies with RoHS, WEEE,
ATEX and Low Voltage directives.



STAINLESS ENCL. ONLY
CLASS II, DIV. 1, GRPS. E,F,G



CSA 17.70126964

IEEx 16.0079 INMETRO

FEATURES-SPECIFICATIONS

Features

- Size 1 Control Stations available as 1A, 1B, and 1C as standard catalog number offerings for 1, 2 and 3 device openings and will accept 2-M20 entries in either end. Ammeters available in 1B and 1C. Size 2 Enclosures available as 2A and 2C for 2, 4, and 6 device entries in cover with ability to accept 2-M25 entries in either end.
- Operating Temperature of -50°C to +60°C
- Contacts and Pilot lights can be mounted inside enclosure on Din Rail or in cover to the actuator.
- Accessories available for Lockout/Tag Out functions made in 316 stainless steel.
- Enclosures available in standard Internal flange, and External flange when additional access is required.

Materials

- Enclosure = 316 Stainless Steel
- Hardware = Stainless Steel
- Silicone gasketing on all enclosures and operators throughout.

Electrical Ratings

- Explosion Protected Contact Blocks, available in Normally Open (NO) or Normally Closed (NC) configurations, are rated for up to 690VAC, up to 20A Switching duty, and up to 1HP.
- Explosion Protected Pilot Lights rated for 12-250V AC/DC for UL applications and 12-254 V AC/DC for IEC applications.

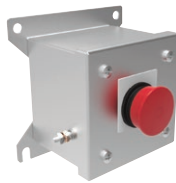


CONTROLS HKH SERIES

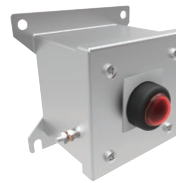
STANDARD SIZE 1A STAINLESS STEEL CONFIGURATIONS



**Momentary
Push Button**



**Momentary & Maintained
Mushroom P.B.**



Pilot Light

The control stations on this page are the most commonly used configurations of pilot lights and push buttons. One entry hole listed is located at bottom.

HKH MOMENTARY SINGLE PUSH BUTTON							
CATALOG NUMBER		ENTRY SIZE	CONTACT ARRANGEMENT		CONTACT BLOCKS	BUTTON COLOR	LEGEND PLATE MARKING
DIN RAIL MOUNT	PANEL MOUNT		IEC	NEMA			
HKH1ASD2P11K8	HKH1ASP2P11K8	3/4" NPT SS HUB			1 N.O. / 1 N.C.	Green: Start/(I)/Blank Red: Stop/(O)/Blank Black: Blank	None
HKH1ASDAP11	HKH1ASPAP11	M20 Clearance hole					
supplied with 7 colored and marked discs – see button color							

HKH MOMENTARY SINGLE PUSH BUTTON - MUSHROOM							
CATALOG NUMBER		ENTRY SIZE	CONTACT ARRANGEMENT		CONTACT BLOCKS	BUTTON COLOR	LEGEND PLATE MARKING
DIN RAIL MOUNT	PANEL MOUNT		IEC	NEMA			
HKH1ASD2M11BK8 HKH1ASD2M21AK8 HKH1ASD2M310K8	HKH1ASP2M11BK8 HKH1ASP2M21AK8 HKH1ASP2M310K8	3/4" NPT SS HUB			1 N.O. / 1 N.C.	Red Green Black	Stop Start Blank
HKH1ASDAM11B HKH1ASDAM21A HKH1ASDAM310	HKH1ASPAM11B HKH1ASPAM21A HKH1ASPAM310	M20 Clearance hole				Red Green Black	Stop Start Blank

HKH MAINTAINED SINGLE PUSH PULL BUTTON - MUSHROOM							
CATALOG NUMBER		ENTRY SIZE	CONTACT ARRANGEMENT		CONTACT BLOCKS	BUTTON COLOR	LEGEND PLATE MARKING
DIN RAIL MOUNT	PANEL MOUNT		IEC	NEMA			
HKH1ASD2M41BK8 HKH1ASD2M51AK8 HKH1ASD2M610K8	HKH1ASP2M41BK8 HKH1ASP2M51AK8 HKH1ASP2M610K8	3/4" NPT SS HUB			1 N.O. / 1 N.C.	Red Green Black	Stop Start Blank
HKH1ASDAM41B HKH1ASDAM51A HKH1ASDAM610	HKH1ASPAM41B HKH1ASPAM51A HKH1ASPAM610	M20 Clearance hole				Red Green Black	Stop Start Blank

HKH SINGLE PILOT LIGHT								
3/4" NPT SS HUB SUPPLIED		M20 CLEARANCE HOLE SUPPLIED		CONTACT ARRANGEMENT		LAMP VOLTAGE	COLOR	LEGEND PLATE MARKING
DIN RAIL MOUNT	PANEL MOUNT	DIN RAIL MOUNT	PANEL MOUNT	IEC	NEMA			
HKH1ASD2LRL0K8 HKH1ASD2LGL0K8 HKH1ASD2LAL0K8 HKH1ASD2LCL0K8 HKH1ASD2LBL0K8	HKH1ASP2LRL0K8 HKH1ASP2LGL0K8 HKH1ASP2LAL0K8 HKH1ASP2LCL0K8 HKH1ASP2LBL0K8	HKH1ASDALRLO HKH1ASDALGLO HKH1ASDALALO HKH1ASDALCLO HKH1ASDALBLO	HKH1ASPALRLO HKH1ASPALGLO HKH1ASPALALO HKH1ASPALCLO HKH1ASPALBLO			12V-254V AC/DC IEC Ex 12V-250V AC/DC UL	Red LED Green LED Amber LED Clear LED Blue LED	Blank



STANDARD SIZE 1A STAINLESS STEEL CONFIGURATIONS



**Maintained
Mushroom P.B.
Pull Release**



**Maintained
Mushroom P.B.
Twist Release**



**Double
Momentary
Push Button**

The control stations on this page are the most commonly used configurations of mushroom push buttons and double push buttons. One entry listed is located at bottom.

HKH MAINTAINED MUSHROOM STAY PUT E-STOP							
CATALOG NUMBER		ENTRY SIZE	CONTACT ARRANGEMENT		CONTACT BLOCKS	BUTTON COLOR	LEGEND PLATE MARKING
DIN RAIL MOUNT	PANEL MOUNT		IEC	NEMA			
HKH1ASD2M41EK8 (Pull Release) HKH1ASD2M71EK8 (Twist Release)	HKH1ASP2M41EK8 (Pull Release) HKH1ASP2M71EK8 (Twist Release)	3/4" NPT SS HUB			1 N.O. / 1 N.C.	Red	Emergency Stop
HKH1ASDAM41E (Pull Release) HKH1ASDAM71E (Twist Release)	HKH1ASPAM41E (Pull Release) HKH1ASPAM71E (Twist Release)	M20 Clearance hole					

HKH DOUBLE MOMENTARY PUSH BUTTON, 1 N.O. START/1 N.C. STOP							
CATALOG NUMBER		ENTRY SIZE	CONTACT ARRANGEMENT		CONTACT BLOCKS	BUTTON COLOR	LEGEND PLATE MARKING
DIN RAIL MOUNT	PANEL MOUNT		IEC	NEMA			
HKH1ASD2P21K8	HKH1ASP2P21K8	3/4" NPT SS HUB		START STOP 	1 N.O. / 1 N.C.	Green/Start/(I) Red/Stop/(O) Black	—
HKH1ASDAP21	HKH1ASPAP21	M20 Clearance hole					



CONTROLS HKH SERIES

STANDARD SIZE 1A STAINLESS STEEL CONFIGURATIONS



**2 Position
Selector Switch Maint. & Mom.**



**3 Position
Selector Switch Maint. & Mom.**

The control stations on this page are the most commonly used configurations of rotary selector switches. One entry hole listed is located at bottom.

HKH MAINTAINED 2-POSITION SELECTOR SWITCH						
CATALOG NUMBER		ENTRY SIZE	CONTACT ARRANGEMENT		CONTACT BLOCKS	LEGEND PLATE MARKING
DIN RAIL MOUNT	PANEL MOUNT		IEC	NEMA		
HKH1ASD2S11SK8	HKH1ASP2S11SK8	3/4" NPT SS HUB		OFF ON	1 N.C. / 1 N.O.	Off-On
HKH1ASDAS11S	HKH1ASPAS11S	M20 Clearance hole				
HKH 2-POSITION SELECTOR SWITCH SPRING RETURN, MOM. RIGHT, MAINT. LEFT						
CATALOG NUMBER		ENTRY SIZE	CONTACT ARRANGEMENT		CONTACT BLOCKS	LEGEND PLATE MARKING
DIN RAIL MOUNT	PANEL MOUNT		IEC	NEMA		
HKH1ASD2S210K8	HKH1ASP2S210K8	3/4" NPT SS HUB			1 N.C. / 1 N.O.	Blank
HKH1ASDAS210	HKH1ASPAS210	M20 Clearance hole				
HKH MAINTAINED 3-POSITION SELECTOR SWITCH INDEPENDENT CAM						
CATALOG NUMBER		ENTRY SIZE	CONTACT ARRANGEMENT		CONTACT BLOCKS	LEGEND PLATE MARKING
DIN RAIL MOUNT	PANEL MOUNT		IEC	NEMA		
HKH1ASD2S349K8	HKH1ASP2S349K8	3/4" NPT SS HUB		HAND OFF AUTO	2 N.O.	Hand-Off-Auto
HKH1ASDAS349	HKH1ASPAS349	M20 Clearance hole				
HKH 3-POSITION SELECTOR SWITCH SPRING RETURN, MOM. LEFT & RIGHT, MAINT. CENTER						
CATALOG NUMBER		ENTRY SIZE	CONTACT ARRANGEMENT		CONTACT BLOCKS	LEGEND PLATE MARKING
DIN RAIL MOUNT	PANEL MOUNT		IEC	NEMA		
HKH1ASD2S440K8	HKH1ASP2S440K8	3/4" NPT SS HUB			2 N.O.	Blank
HKH1ASDAS440	HKH1ASPAS440	M20 Clearance hole				
HKH 3-POSITION SELECTOR SWITCH SPRING RETURN, MOM. RIGHT, MAINT. CENTER & LEFT						
CATALOG NUMBER		ENTRY SIZE	CONTACT ARRANGEMENT		CONTACT BLOCKS	LEGEND PLATE MARKING
DIN RAIL MOUNT	PANEL MOUNT		IEC	NEMA		
HKH1ASD2S540K8	HKH1ASP2S540K8	3/4" NPT SS HUB			2 N.O.	Blank
HKH1ASDAS540	HKH1ASPAS540	M20 Clearance hole				
HKH 3-POSITION SELECTOR SWITCH SPRING RETURN, MOM. LEFT, MAINT. CENTER & RIGHT						
CATALOG NUMBER		ENTRY SIZE	CONTACT ARRANGEMENT		CONTACT BLOCKS	LEGEND PLATE MARKING
DIN RAIL MOUNT	PANEL MOUNT		IEC	NEMA		
HKH1ASD2S640K8	HKH1ASP2S640K8	3/4" NPT SS HUB			2 N.O.	Blank
HKH1ASDAS640	HKH1ASPAS640	M20 Clearance hole				



STANDARD SIZE 1A STAINLESS STEEL CONFIGURATIONS



2 Position
Key Selector SWT Maint. & Mom.



3 Position
Key Selector SWT Maint. & Mom.

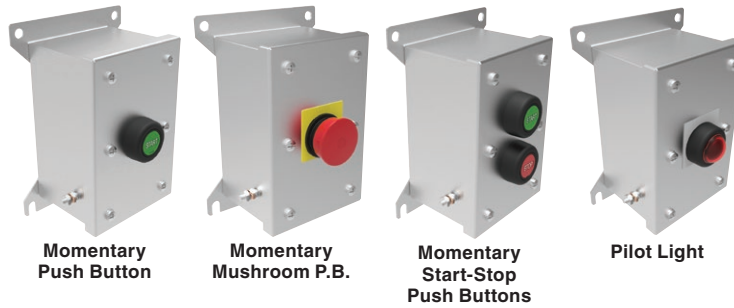
The control stations on this page are the most commonly used configurations of keyed rotary selector switches. One entry hole listed is located at bottom.

HKH MAINTAINED 2-POSITION KEYED SELECTOR SWITCH						
CATALOG NUMBER		ENTRY SIZE	CONTACT ARRANGEMENT		CONTACT BLOCKS	LEGEND PLATE MARKING
DIN RAIL MOUNT	PANEL MOUNT		IEC	NEMA		
HKH1ASD2K11SK8	HKH1ASP2K11SK8	3/4" NPT SS HUB			1 N.C. / 1 N.O.	Off-On
HKH1ASDAK11S	HKH1ASPAK11S	M20 Clearance hole				
HKH 2-POSITION KEYED SELECTOR SWITCH SPRING RETURN, MOM. RIGHT, MAINT. LEFT						
CATALOG NUMBER		ENTRY SIZE	CONTACT ARRANGEMENT		CONTACT BLOCKS	LEGEND PLATE MARKING
DIN RAIL MOUNT	PANEL MOUNT		IEC	NEMA		
HKH1ASD2K210K8	HKH1ASP2K210K8	3/4" NPT SS HUB			1 N.C. / 1 N.O.	Blank
HKH1ASDAK210	HKH1ASPAK210	M20 Clearance hole				
HKH MAINTAINED 3-POSITION KEYED SELECTOR SWITCH INDEPENDENT CAM						
CATALOG NUMBER		ENTRY SIZE	CONTACT ARRANGEMENT		CONTACT BLOCKS	LEGEND PLATE MARKING
DIN RAIL MOUNT	PANEL MOUNT		IEC	NEMA		
HKH1ASD2K349K8	HKH1ASP2K349K8	3/4" NPT SS HUB			2 N.O.	Hand-Off-Auto
HKH1ASDAK349	HKH1ASPAK349	M20 Clearance hole				
HKH 3-POSITION KEYED SELECTOR SWITCH SPRING RETURN, MOM. LEFT & RIGHT, MAINT. CENTER						
CATALOG NUMBER		ENTRY SIZE	CONTACT ARRANGEMENT		CONTACT BLOCKS	LEGEND PLATE MARKING
DIN RAIL MOUNT	PANEL MOUNT		IEC	NEMA		
HKH1ASD2K440K8	HKH1ASP2K440K8	3/4" NPT SS HUB			2 N.O.	Blank
HKH1ASDAK440	HKH1ASPAK440	M20 Clearance hole				
HKH 3-POSITION KEYED SELECTOR SWITCH SPRING RETURN, MOM. RIGHT, MAINT. CENTER & LEFT						
CATALOG NUMBER		ENTRY SIZE	CONTACT ARRANGEMENT		CONTACT BLOCKS	LEGEND PLATE MARKING
DIN RAIL MOUNT	PANEL MOUNT		IEC	NEMA		
HKH1ASD2K540K8	HKH1ASP2K540K8	3/4" NPT SS HUB			2 N.O.	Blank
HKH1ASDAK540	HKH1ASPAK540	M20 Clearance hole				
HKH 3-POSITION KEYED SELECTOR SWITCH SPRING RETURN, MOM. LEFT, MAINT. CENTER & RIGHT						
CATALOG NUMBER		ENTRY SIZE	CONTACT ARRANGEMENT		CONTACT BLOCKS	LEGEND PLATE MARKING
DIN RAIL MOUNT	PANEL MOUNT		IEC	NEMA		
HKH1ASD2K640K8	HKH1ASP2K640K8	3/4" NPT SS HUB			2 N.O.	Blank
HKH1ASDAK640	HKH1ASPAK640	M20 Clearance hole				



CONTROLS HKH SERIES

STANDARD SIZE 1B STAINLESS STEEL CONFIGURATIONS*



Momentary Push Button

Momentary Mushroom P.B.

Momentary Start-Stop Push Buttons

Pilot Light

The control stations on this page are the most commonly used configurations, including combinations of pilot lights, and push buttons. One entry hole listed is located at bottom.

HKH MOMENTARY SINGLE PUSH BUTTON							
CATALOG NUMBER		ENTRY SIZE	CONTACT ARRANGEMENT		CONTACT BLOCKS	BUTTON COLOR	LEGEND PLATE MARKING
DIN RAIL MOUNT	PANEL MOUNT		IEC	NEMA			
HKH1BSD2P11K8	HKH1BSP2P11K8	3/4" NPT SS HUB			1 N.O. / 1 N.C.	Green: Start/(I)/Blank Red: Stop/(O)/Blank Black: Blank	None
HKH1BSDAP11	HKH1BSPAP11	M20 Clearance hole					
supplied with 7 colored and marked discs – see button color							

HKH MOMENTARY SINGLE PUSH BUTTON - MUSHROOM							
CATALOG NUMBER		ENTRY SIZE	CONTACT ARRANGEMENT		CONTACT BLOCKS	BUTTON COLOR	LEGEND PLATE MARKING
DIN RAIL MOUNT	PANEL MOUNT		IEC	NEMA			
HKH1BSD2M11BK8 HKH1BSD2M21AK8 HKH1BSD2M31OK8	HKH1BSP2M11BK8 HKH1BSP2M21AK8 HKH1BSP2M31OK8	3/4" NPT SS HUB			1 N.O. / 1 N.C.	Red Green Black	Stop Start Blank
HKH1BSDAM11B HKH1BSDAM21A HKH1BSDAM31O	HKH1BSPAM11B HKH1BSPAM21A HKH1BSPAM31O	M20 Clearance hole				Red Green Black	Stop Start Blank

HKH DOUBLE MOMENTARY START-STOP PUSH BUTTONS							
CATALOG NUMBER [Ⓢ]		ENTRY SIZE	CONTACT ARRANGEMENT		CONTACT BLOCKS	BUTTON COLOR	LEGEND PLATE MARKING
DIN RAIL MOUNT	PANEL MOUNT		IEC	NEMA			
HKH1BSD2P11P11K8	HKH1BEP2P11P11K8	3/4" NPT SS HUB			1 N.O. / 1 N.C. 1 N.O. / 1 N.C.	Green, start, (i) Red, stop, (o)	—
HKH1BSDAP11P11	HKH1BEPAP11P11	M20 Clearance hole					

HKH SINGLE PILOT LIGHT								
3/4" NPT SS HUB SUPPLIED		M20 CLEARANCE HOLE SUPPLIED		CONTACT ARRANGEMENT		LAMP VOLTAGE	COLOR	LEGEND PLATE MARKING
DIN RAIL MOUNT	PANEL MOUNT	DIN RAIL MOUNT	PANEL MOUNT	IEC	NEMA			
HKH1BSD2LRLOK8 HKH1BSD2LGLOK8 HKH1BSD2LALOK8 HKH1BSD2LCLK8 HKH1BSD2LBL0K8	HKH1BSP2LRLOK8 HKH1BSP2LGLOK8 HKH1BSP2LALOK8 HKH1BSP2LCLK8 HKH1BSP2LBL0K8	HKH1BSDALRLO HKH1BSDALGLO HKH1BSDALALO HKH1BSDALCLO HKH1BSDALBLO	HKH1BSPALRLO HKH1BSPALGLO HKH1BSPALALO HKH1BSPALCLO HKH1BSPALBLO			12V-254V AC/DC IEC Ex 12V-250V AC/DC UL	Red LED Green LED Amber LED Clear LED Blue LED	Blank

[Ⓢ] Din Rail mount assemblies supplied in Flange In type enclosures. Panel mount assemblies supplied with Flange Out enclosures.



STANDARD SIZE 1B STAINLESS STEEL CONFIGURATIONS*



Maintained
Mushroom P.B.
Pull Release

Maintained
Mushroom P.B.
Twist Release

Double
Pilot Light

Pilot Light &
Double Momentary
Push Button

The control stations on this page are the most commonly used configurations, including combinations of pilot lights, and push buttons. One entry listed is located at bottom.

HKH MAINTAINED MUSHROOM STAY PUT E-STOP							
CATALOG NUMBER		ENTRY SIZE	CONTACT ARRANGEMENT		CONTACT BLOCKS	BUTTON COLOR	LEGEND PLATE MARKING
DIN RAIL MOUNT	PANEL MOUNT		IEC	NEMA			
HKH1BSD2M41EK8 (Pull Release) HKH1BSD2M71EK8 (Twist Release)	HKH1BSP2M41EK8 (Pull Release) HKH1BSP2M71EK8 (Twist Release)	3/4" NPT SS HUB			1 N.O. / 1 N.C.	Red	Emergency Stop
HKH1BSDAM41E (Pull Release) HKH1BSDAM71E (Twist Release)	HKH1BSPAM41E (Pull Release) HKH1BSPAM71E (Twist Release)	M20 Clearance hole					

HKH MAINTAINED SINGLE PUSH PULL BUTTON - MUSHROOM							
CATALOG NUMBER		ENTRY SIZE	CONTACT ARRANGEMENT		CONTACT BLOCKS	BUTTON COLOR	LEGEND PLATE MARKING
DIN RAIL MOUNT	PANEL MOUNT		IEC	NEMA			
HKH1BSD2M41BK8 HKH1BSD2M51AK8 HKH1BSD2M61OK8	HKH1BSP2M41BK8 HKH1BSP2M51AK8 HKH1BSP2M61OK8	3/4" NPT SS HUB			1 N.O. / 1 N.C.	Red Green Black	Stop Start Blank
HKH1BSDAM41B HKH1BSDAM51A HKH1BSDAM610	HKH1BSPAM41B HKH1BSPAM51A HKH1BSPAM610	M20 Clearance hole				Red Green Black	Stop Start Blank

HKH DOUBLE PILOT LIGHT								
3/4" NPT SS HUB SUPPLIED ①		M20 CLEARANCE HOLE SUPPLIED ①		CONTACT ARRANGEMENT		LAMP VOLTAGE	COLOR	LEGEND PLATE MARKING
DIN RAIL MOUNT	PANEL MOUNT	DIN RAIL MOUNT	PANEL MOUNT	IEC	NEMA			
HKH1BSD2LRL0LGL0K8 HKH1BSD2LRL0LRL0K8 HKH1BSD2LGL0LGL0K8	HKH1BEP2LRL0LGL0K8 HKH1BEP2LRL0LRL0K8 HKH1BEP2LGL0LGL0K8	HKH1BSDALRL0LGL0 HKH1BSDALRL0LRL0 HKH1BSDALGL0LGL0	HKH1BEPALRL0LGL0 HKH1BEPALRL0LRL0 HKH1BEPALGL0LGL0			12V-254V AC/DC IEC Ex 12V-250V AC/DC UL	Red/Green Red/Red Green/Green	Blank

HKH DOUBLE MOMENTARY PUSH BUTTON & PILOT LIGHT								
CATALOG NUMBER ①		ENTRY SIZE	CONTACT ARRANGEMENT		LAMP VOLTAGE	CONTACT BLOCKS	BUTTON COLOR	LEGEND PLATE MARKING
DIN RAIL MOUNT	PANEL MOUNT		IEC	NEMA				
HKH1BSD2LRL0P21K8	HKH1BEP2LRL0P21K8	3/4" NPT SS HUB			12V-254V AC/DC IEC Ex 12V-250V AC/DC UL	1 N.O. 1 N.C.	Green, Start, (I)	—
HKH1BSDALRL0P21	HKH1BEPALRL0P21	M20 Clearance hole					Red, Stop, (O)	—

① Din Rail mount assemblies supplied in Flange In type enclosures. Panel mount assemblies supplied with Flange Out enclosures.



CONTROLS HKH SERIES

STANDARD SIZE 1B STAINLESS STEEL CONFIGURATIONS



**2 Position
Selector Switch
Maint. & Mom.**



**3 Position
Selector Switch
Maint. & Mom.**

The control stations on this page are the most commonly used configurations of rotary selector switches. One entry listed is located at bottom.

HKH MAINTAINED 2-POSITION SELECTOR SWITCH						
CATALOG NUMBER		ENTRY SIZE	CONTACT ARRANGEMENT		CONTACT BLOCKS	LEGEND PLATE MARKING
DIN RAIL MOUNT	PANEL MOUNT		IEC	NEMA		
HKH1BSD2S11SK8	HKH1BSP2S11SK8	3/4" NPT SS HUB		OFF ON	1 N.C. / 1 N.O.	Off-On
HKH1BSDAS11S	HKH1BSPAS11S	M20 Clearance hole				
HKH 2-POSITION SELECTOR SWITCH SPRING RETURN, MOM. RIGHT, MAINT. LEFT						
CATALOG NUMBER		ENTRY SIZE	CONTACT ARRANGEMENT		CONTACT BLOCKS	LEGEND PLATE MARKING
DIN RAIL MOUNT	PANEL MOUNT		IEC	NEMA		
HKH1BSD2S210K8	HKH1BSP2S210K8	3/4" NPT SS HUB			1 N.C. / 1 N.O.	Blank
HKH1BSDAS210	HKH1BSPAS210	M20 Clearance hole				
HKH MAINTAINED 3-POSITION SELECTOR SWITCH INDEPENDENT CAM						
CATALOG NUMBER		ENTRY SIZE	CONTACT ARRANGEMENT		CONTACT BLOCKS	LEGEND PLATE MARKING
DIN RAIL MOUNT	PANEL MOUNT		IEC	NEMA		
HKH1BSD2S349K8	HKH1BSP2S349K8	3/4" NPT SS HUB		HAND OFF AUTO	2 N.O.	Hand-Off-Auto
HKH1BSDAS349	HKH1BSPAS349	M20 Clearance hole				
HKH 3-POSITION SELECTOR SWITCH SPRING RETURN, MOM. LEFT & RIGHT, MAINT. CENTER						
CATALOG NUMBER		ENTRY SIZE	CONTACT ARRANGEMENT		CONTACT BLOCKS	LEGEND PLATE MARKING
DIN RAIL MOUNT	PANEL MOUNT		IEC	NEMA		
HKH1BSD2S440K8	HKH1BSP2S440K8	3/4" NPT SS HUB			2 N.O.	Blank
HKH1BSDAS440	HKH1BSPAS440	M20 Clearance hole				
HKH 3-POSITION SELECTOR SWITCH SPRING RETURN, MOM. RIGHT, MAINT. CENTER & LEFT						
CATALOG NUMBER		ENTRY SIZE	CONTACT ARRANGEMENT		CONTACT BLOCKS	LEGEND PLATE MARKING
DIN RAIL MOUNT	PANEL MOUNT		IEC	NEMA		
HKH1BSD2S540K8	HKH1BSP2S540K8	3/4" NPT SS HUB			2 N.O.	Blank
HKH1BSDAS540	HKH1BSPAS540	M20 Clearance hole				
HKH 3-POSITION SELECTOR SWITCH SPRING RETURN, MOM. LEFT, MAINT. CENTER & RIGHT						
CATALOG NUMBER		ENTRY SIZE	CONTACT ARRANGEMENT		CONTACT BLOCKS	LEGEND PLATE MARKING
DIN RAIL MOUNT	PANEL MOUNT		IEC	NEMA		
HKH1BSD2S640K8	HKH1BSP2S640K8	3/4" NPT SS HUB			2 N.O.	Blank
HKH1BSDAS640	HKH1BSPAS640	M20 Clearance hole				



STANDARD SIZE 1B STAINLESS STEEL CONFIGURATIONS



**2 Position
Key Selector Swt
Maint. & Mom.**



**3 Position
Key Selector Swt
Maint. & Mom.**

The control stations on this page are the most commonly used configurations of keyed rotary selector switches. One entry listed is located at bottom.

HKH MAINTAINED 2-POSITION KEYED SELECTOR SWITCH						
CATALOG NUMBER		ENTRY SIZE	CONTACT ARRANGEMENT		CONTACT BLOCKS	LEGEND PLATE MARKING
DIN RAIL MOUNT	PANEL MOUNT		IEC	NEMA		
HKH1BSD2K11SK8	HKH1BSP2K11SK8	3/4" NPT SS HUB			1 N.C. / 1 N.O.	Off-On
HKH1BSDAK11S	HKH1BSPAK11S	M20 Clearance hole				
HKH 2-POSITION KEYED SELECTOR SWITCH SPRING RETURN, MOM. RIGHT, MAINT. LEFT						
CATALOG NUMBER		ENTRY SIZE	CONTACT ARRANGEMENT		CONTACT BLOCKS	LEGEND PLATE MARKING
DIN RAIL MOUNT	PANEL MOUNT		IEC	NEMA		
HKH1BSD2K210K8	HKH1BSP2K210K8	3/4" NPT SS HUB			1 N.C. / 1 N.O.	Blank
HKH1BSDAK210	HKH1BSPAK210	M20 Clearance hole				
HKH MAINTAINED 3-POSITION KEYED SELECTOR SWITCH INDEPENDENT CAM						
CATALOG NUMBER		ENTRY SIZE	CONTACT ARRANGEMENT		CONTACT BLOCKS	LEGEND PLATE MARKING
DIN RAIL MOUNT	PANEL MOUNT		IEC	NEMA		
HKH1BSD2K349K8	HKH1BSP2K349K8	3/4" NPT SS HUB			2 N.O.	Hand-Off-Auto
HKH1BSDAK349	HKH1BSPAK349	M20 Clearance hole				
HKH 3-POSITION KEYED SELECTOR SWITCH SPRING RETURN, MOM. LEFT & RIGHT, MAINT. CENTER						
CATALOG NUMBER		ENTRY SIZE	CONTACT ARRANGEMENT		CONTACT BLOCKS	LEGEND PLATE MARKING
DIN RAIL MOUNT	PANEL MOUNT		IEC	NEMA		
HKH1BSD2K440K8	HKH1BSP2K440K8	3/4" NPT SS HUB			2 N.O.	Blank
HKH1BSDAK440	HKH1BSPAK440	M20 Clearance hole				
HKH 3-POSITION KEYED SELECTOR SWITCH SPRING RETURN, MOM. RIGHT, MAINT. CENTER & LEFT						
CATALOG NUMBER		ENTRY SIZE	CONTACT ARRANGEMENT		CONTACT BLOCKS	LEGEND PLATE MARKING
DIN RAIL MOUNT	PANEL MOUNT		IEC	NEMA		
HKH1BSD2K540K8	HKH1BSP2K540K8	3/4" NPT SS HUB			2 N.O.	Blank
HKH1BSDAK540	HKH1BSPAK540	M20 Clearance hole				
HKH 3-POSITION KEYED SELECTOR SWITCH SPRING RETURN, MOM. LEFT, MAINT. CENTER & RIGHT						
CATALOG NUMBER		ENTRY SIZE	CONTACT ARRANGEMENT		CONTACT BLOCKS	LEGEND PLATE MARKING
DIN RAIL MOUNT	PANEL MOUNT		IEC	NEMA		
HKH1BSD2K640K8	HKH1BSP2K640K8	3/4" NPT SS HUB			2 N.O.	Blank
HKH1BSDAK640	HKH1BSPAK640	M20 Clearance hole				



CONTROLS HKH SERIES

STANDARD SIZE 1C STAINLESS STEEL CONFIGURATIONS



The control stations on this page are the most commonly used configurations, including combinations of pilot lights, push buttons, rotary selector switches, and ammeters.

One entry hole listed is located at bottom.

HKH RED PILOT LIGHT & TWO MOMENTARY PUSH BUTTONS								
CATALOG NUMBER ^①		ENTRY SIZE	CONTACT ARRANGEMENT		LAMP VOLTAGE	CONTACT BLOCKS	BUTTON COLOR	LEGEND PLATE MARKING
DIN RAIL MOUNT	PANEL MOUNT		IEC	NEMA				
HKHMOD000021	HKHMOD000022	3/4" NPT SS HUB			12V-254V AC/DC IEC Ex 12V-250V AC/DC UL	1 N.C.	Red Stop (I)	Blank
HKHMOD000023	HKHMOD000024	M20 Clearance hole				1 N.O.	Green Start (O)	

HKH THREE MOMENTARY PUSH BUTTONS								
CATALOG NUMBER ^①		ENTRY SIZE	CONTACT ARRANGEMENT		CONTACT BLOCKS	BUTTON COLOR	LEGEND PLATE MARKING	
DIN RAIL MOUNT	PANEL MOUNT		IEC	NEMA				
HKHMOD000025	HKHMOD000026	3/4" NPT SS HUB			1 N.O. / 1 N.C. 1 N.O. / 1 N.C. 1 N.O. / 1 N.C.	Green: Start/(I)/Blank Red: Stop/(O)/Blank Black: Blank	Blank	
HKHMOD000027	HKHMOD000028	M20 Clearance hole						

HKH RED PILOT LIGHT, MUSHROOM MAINTAINED P.B., DOUBLE MOMENTARY P.B.								
CATALOG NUMBER ^①		ENTRY SIZE	CONTACT ARRANGEMENT		LAMP VOLTAGE	BUTTON COLOR	LEGEND PLATE MARKING	
DIN RAIL MOUNT	PANEL MOUNT		IEC	NEMA				
HKHMOD000029 (Pull Release)	HKHMOD000030 (Pull Release)	3/4" NPT SS HUB			12V-254V AC/DC IEC Ex 12V-250V AC/DC UL	Red Green: Start/(I)/Blank Red: Stop/(O)/Blank	Blank Emergency Stop	
HKHMOD000031 (Twist Release)	HKHMOD000032 (Twist Release)							
HKHMOD000033 (Pull Release)	HKHMOD000034 (Pull Release)	M20 Clearance hole			1 N.O. / 1 N.C. 1 N.O. / 1 N.C.	Red: Stop/(O)/Blank		
HKHMOD000035 (Twist Release)	HKHMOD000036 (Twist Release)							

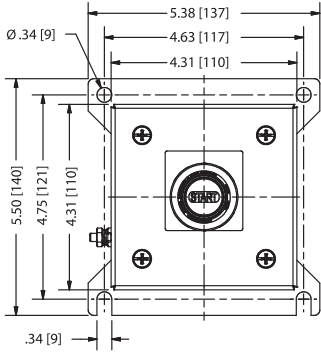
HKH 72MM AMMETER & 2 POSITION MAINT. SELECTOR SWITCH								
CATALOG NUMBER ^{①②}		ENTRY SIZE	CONTACT ARRANGEMENT		CONTACT BLOCKS	BUTTON COLOR	LEGEND PLATE MARKING	
DIN RAIL MOUNT	PANEL MOUNT		IEC	NEMA				
HKHMOD000037	HKHMOD000038	3/4" NPT SS HUB			1 N.C. / 1 N.O.	—	Blank	
HKHMOD000039	HKHMOD000040	M20 Clearance hole						

^① Din Rail mount assemblies supplied in Flange In type enclosures. Panel mount assemblies supplied with Flange Out enclosures.

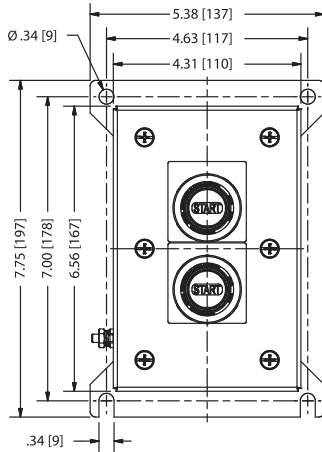
^② IECEx/ATEX Only. Supplied with 72mm 1A Ammeter scale 0-5A and 25A O/L scale. For use with Current Transformer. Consult Factory for other scale ranges and for Voltmeter options.



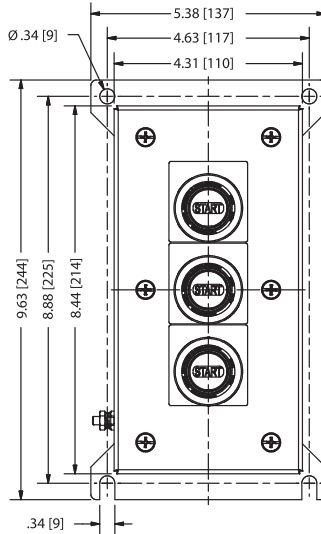
DIMENSIONAL DATA - STAINLESS STEEL SIZE 1 FLANGE IN



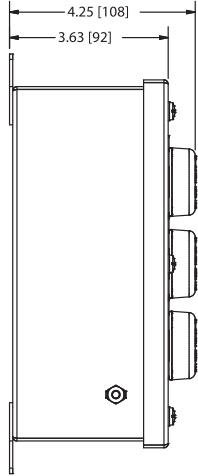
Flange In Size 1A



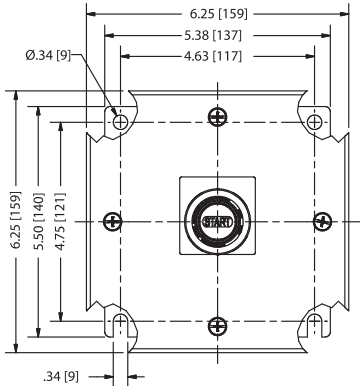
Flange In Size 1B



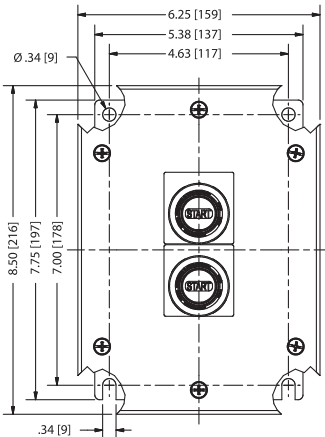
Flange In Size 1C



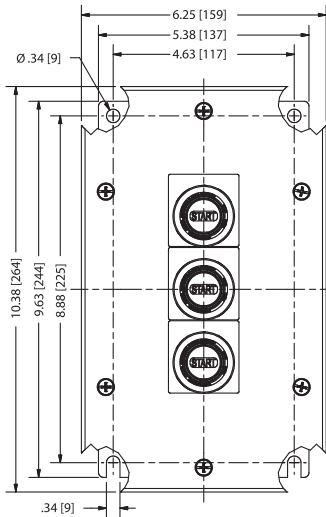
DIMENSIONAL DATA - STAINLESS STEEL SIZE 1 FLANGE OUT



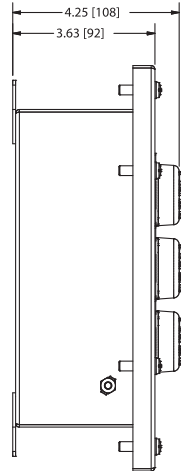
Flange Out Size 1A



Flange Out Size 1B



Flange Out Size 1C



CLEARANCE HOLE FOR NPT FITTING	LOGIC CODE
1/2" Top Feed	7
1/2" Bottom Feed	1
1/2" Feed Through	4
3/4" Top Feed	8
3/4" Bottom Feed	2
3/4" Feed Through	5
1" Top Feed	9
1" Bottom Feed	3
1" Feed Through	6

CLEARANCE HOLE FOR METRIC FITTING	LOGIC CODE
M20 Top Feed	C
M20 Bottom Feed	A
M20 Feed Through	B
2 x M20 Top Feed	F
2 x M20 Bottom Feed	D
M25 Top Feed	J
M25 Bottom Feed	G
M25 Feed Through	H

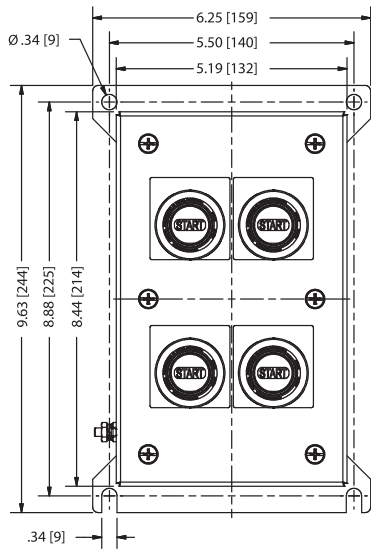


CONTROLS HKH SERIES

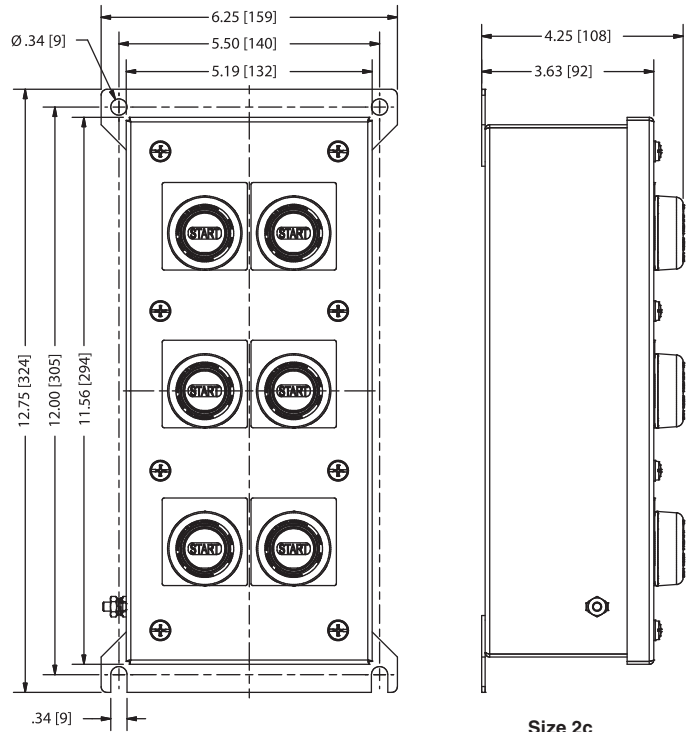
SIZE 2A & 2C STAINLESS STEEL FLANGE IN



Size 2A and 2C control stations can be factory ordered to include combinations of pilot lights, push buttons, rotary selector switches, ammeters, and terminal blocks. Entry holes can be located on all sides.



Size 2a



Size 2c

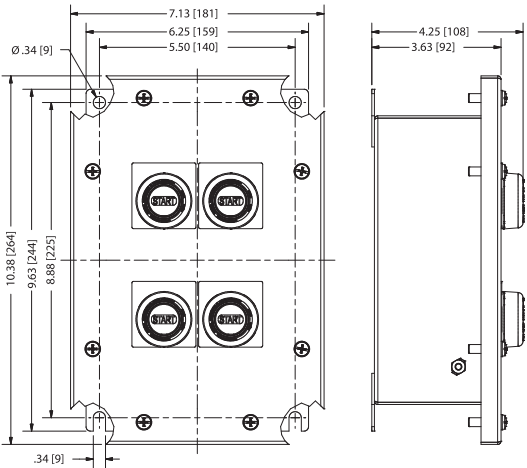
CLEARANCE HOLE FOR NPT FITTING	LOGIC CODE	CLEARANCE HOLE FOR METRIC FITTING	LOGIC CODE
1/2" Top Feed	7	M20 Top Feed	C
1/2" Bottom Feed	1	M20 Bottom Feed	A
1/2" Feed Through	4	M20 Feed Through	B
3/4" Top Feed	8	2 x M20 Top Feed	F
3/4" Bottom Feed	2	2 x M20 Bottom Feed	D
3/4" Feed Through	5	M25 Top Feed	J
1" Top feed	9	M25 Bottom Feed	G
1" bottom feed	3	M25 Feed Through	H
1" Feed Through	6	2 x m25 bottom feed	K



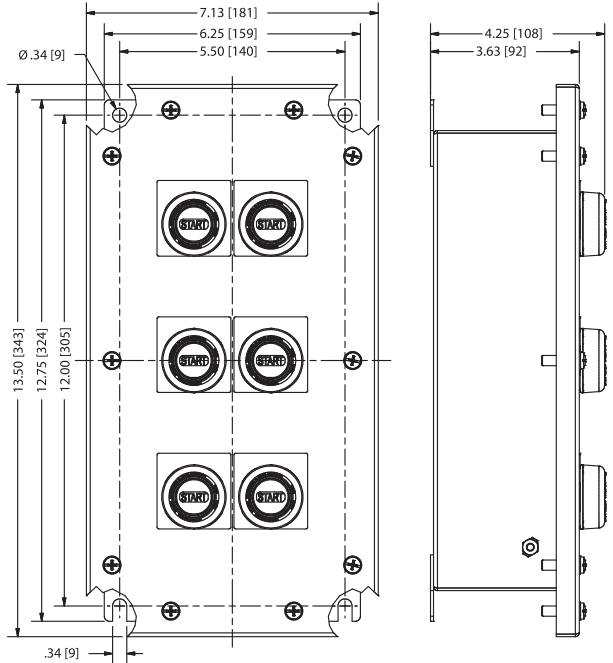
SIZE 2A & 2C STAINLESS STEEL FLANGE OUT



Size 2A and 2C control stations can be factory ordered to include combinations of pilot lights, push buttons, rotary selector switches, ammeters, and terminal blocks. Entry holes can be located on all sides.



Size 2a



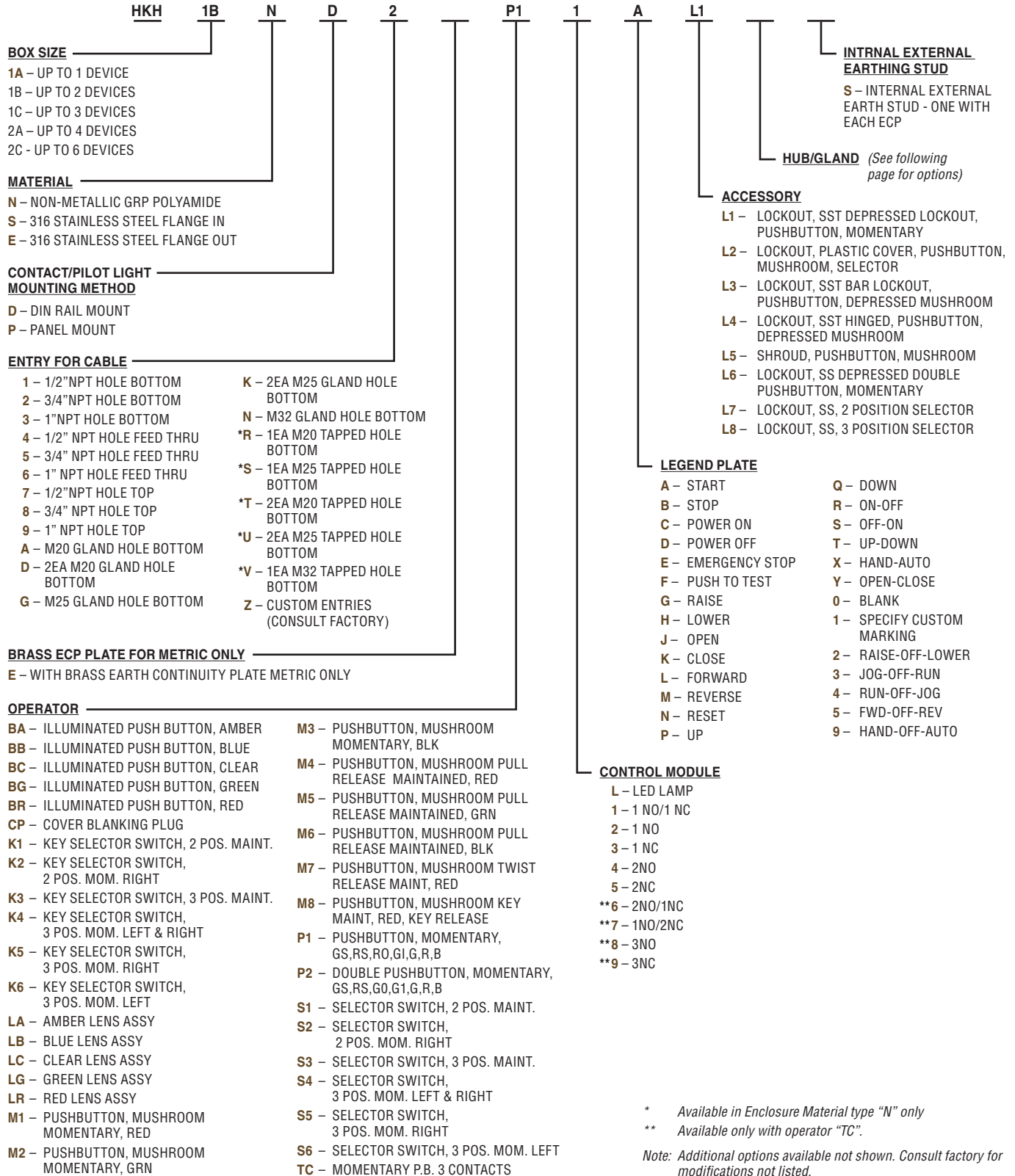
Size 2c

CLEARANCE HOLE FOR NPT FITTING	LOGIC CODE	CLEARANCE HOLE FOR METRIC FITTING	LOGIC CODE
1/2" Top Feed	7	2 x M20 Top Feed	F
1/2" Bottom Feed	1	2 x M20 Bottom Feed	D
1/2" Feed Through	4	2 x M20 Feed Through	E
3/4" Top Feed	8	2 x M25 Top Feed	M
3/4" Bottom Feed	2	2 x m25 bottom feed	K
3/4" Feed Through	5	2 x M25 Feed Through	L
1" Top feed	9	M32 Top Feed	Q
1" bottom feed	3	M32 Bottom Feed	N
1" Feed Through	6	M32 Feed through	P



CONTROLS HKH SERIES

CATALOG LOGIC



* Available in Enclosure Material type "N" only
 ** Available only with operator "TC".
 Note: Additional options available not shown. Consult factory for modifications not listed.



HUBS / CABLE GLANDS



**FEATURES-
SPECIFICATIONS**
HAZCON®

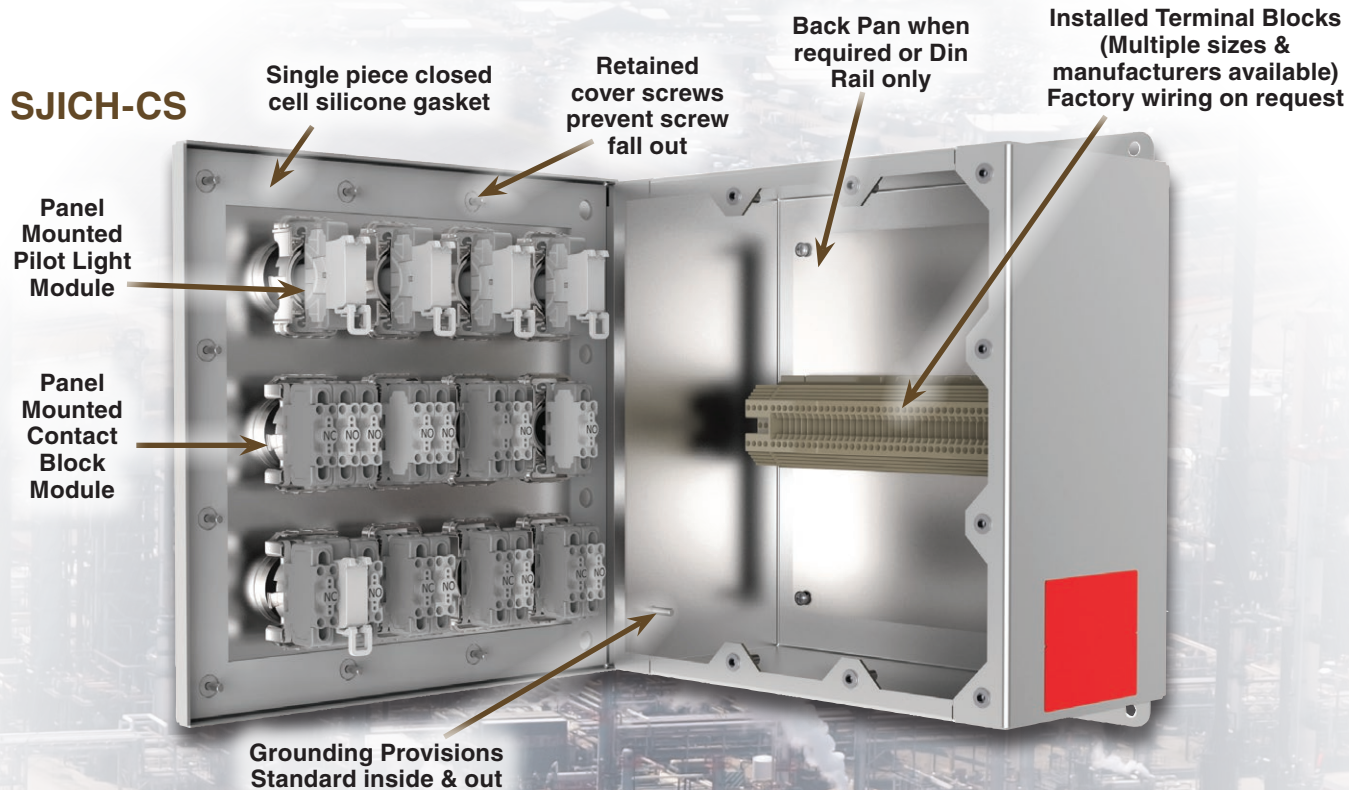
HUBS/GLANDS	
CATALOG LOGIC NUMBER	DESCRIPTION
H1	421S Single Comp. Brass Gland OS-M20
H2	421 Single Comp. Brass Gland O-M20
H3	421N Single Comp. Brass Gland A-M20
H4	421N Single Comp. Brass Gland B-M25
H5	421N Single Comp. Brass Gland OS-M20 NAL Nickel plate
H6	421N Single Comp. Brass Gland O-M20 NAL Nickel plate
H7	421N Single Comp. Brass Gland A-M20 NAL Nickel plate
H8	421N Single Comp. Brass Gland B-M25 NAL Nickel plate
H9	421N Single Comp. Brass Gland C-M32
HA	421N Single Comp. SS Gland OS-M20
HB	421N Single Comp. SS Gland O-M20
HC	421N Single Comp. SS Gland A-M20
HD	421N Single Comp. SS Gland B-M25
HE	421N Single Comp. Brass Gland C-M32 NAL Nickel plate
HF	421N Single Comp. SS Gland C-M32
J1	453R Single Comp. Brass Gland OS-M20
J2	453R Single Comp. Brass Gland O-M20
J3	453R Single Comp. Brass Gland A-M20
J4	453R Single Comp. Brass Gland B-M25
J5	453R Single Comp. Brass Gland OS-M20 NAL Nickel plate
J6	453R Single Comp. Brass Gland O-M20 NAL Nickel plate
J7	453R Single Comp. Brass Gland A-M20 NAL Nickel plate
J8	453R Single Comp. Brass Gland B-M25 NAL Nickel plate
J9	453R Single Comp. Brass Gland C-M32
JA	453R Single Comp. SS Gland OS-M20
JB	453R Single Comp. SS Gland O-M20
JC	453R Single Comp. SS Gland A-M20
JD	453R Single Comp. SS Gland B-M25
JE	453R Single Comp. Brass Gland C-M32 NAL Nickel plate
JF	453R Single Comp. SS Gland C-M32
K1	K1 MC1C Aluminum Metal Clad Connector 1/2" Ø .60 - .82 in
K2	K2 MC2 Aluminum Metal Clad Connector 3/4" Ø .73 - 1.03 in
K3	K3 MC3 Aluminum Metal Clad Connector 1" Ø .97 - 1.31 in
K4	WH-1G Zinc 1/2" HUB
K5	WH-2G Zinc 3/4" HUB
K6	WH-3G Zinc 1" HUB
K7	WH-SS1G Stainless Steel 1/2" HUB
K8	WH-2SSG Stainless Steel 3/4" HUB
K9	WH-3SSG Stainless Steel 1" HUB
KA	WH-1AG Alum. 1/2"
KB	WH-2AG Alum. 3/4"
KC	WH-3AG Alum. 1" HUB
KD	NMHG1EX PVC Coated 1/2" HUB
KE	NMHG2EX PVC Coated 3/4" HUB
KF	NMHG3EX PVC Coated 1" HUB



CONTROLS

USF-CS / SJICH-CS SERIES

SJICH-CS





CONTROL PANELS

HAZCON[®]



Class 1, Zone 1, AEx db eb IIC *T6...T4 Gb
 Ex de IIC *T6...T4 Gb, Zone 21
 AEx tb IIIC *T80°C...T100°C Db IP66
 Ex tb IIIC *T80°C...T100°C Db IP66
 Class I, Div. 2, Groups A, B, C, D, *T6...T4
 Class II, Groups E, F, G, Class III
 Class III, Encl Type 3, 4, 4X

CSA 15.70013827

Ex db eb IIC *T6...T4 Gb
 Ex tb IIIC T80°C...T100°C Db IP66
 IECEx SIR 16.0090

0539 II 2GD

*Custom Control Solutions
 designed to your specific needs*

FEATURES-SPECIFICATIONS

Features

- Operating Temperature of -50°C to +60°C
- Explosion Protected Contact Blocks and LED Pilot Light Modules
- Wet Locations requiring Type 4x & IP66 Ingress Protection
- Hinge standard on all enclosure types and materials.

Materials

- 316/316L, 304 Stainless Steel & Painted Carbon Steel Control Stations

Electrical Ratings

- Contact Blocks = 690VAC N.O. & N.C., 20A, with HP Ratings up to 1HP
- LED Pilot Light Modules = 12-254 VAC/DC

Momentary Push Buttons	Illuminated Momentary Push Buttons LED	2 & 3 Position Rotary Switch Maintained & Momentary	Emergency Stop Red Mushroom Push Buttons Key, Pull, & Twist Release, Momentary Mushroom P.B. in Red, Green and Black Protective Shrouds available	2 & 3 Position Keyed Rotary Switch Maintained & Momentary	Pilot Light Assembly	Double Momentary Push Button



CONTROLS

USF-CS / SJICH-CS SERIES

CUSTOM BUILT ASSEMBLIES



Custom Control Stations Available in a variety of Sizes

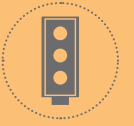
- Enclosure sizes from 8" x 6" x 6" (203mm x 152mm x 152mm) up to 36" x 24" x 8" (915mm x 610mm x 203mm)
- Materials: 316/316L, 304 Stainless Steel & Painted Carbon Steel Control Stations
- Operating Temperature of -50°C to +60°C
- Wet Locations requiring Type 4X & IP66 Ingress Protection
- Indoors or Outdoors in Class 1 Division 2 & Zone 1 Harsh and Hazardous Locations

ITEM DESCRIPTION	
USFC-CS121206MODXXXXXX	USFC Carbon Steel Painted 12"x12"x6" w/ no Gland Plates and MODified per Customer Actuator & Terminal Block requirements
SJICH6-CS101006GP1000MODXXXXXX	SJIC Hinged Stainless Steel 316/316L 10"x10"x6" w/ Gland Plate at Bottom and MODified per Customer Actuator & Terminal Block requirements

Notes – Enclosure can be supplied with cable entries in sidewalls or removable Gland Plates for field drilling. Enclosures can also be supplied with terminal blocks and factory wired on request.

USF-CS CATALOG #	ENCLOSURE SIZE	ACTUATOR MAXIMUM	SJICH-CS CATALOG #	ENCLOSURE SIZE	ACTUATOR MAXIMUM
USF-CS-121206	12" x 12" x 6" (305) x (305) x (152)	8 Devices 2 Rows	SJICH-CS-080606	8" x 6" x 6" (203) x (152) x (152)	3 Devices 2 Rows
USF-CS-161206 USF-CS-161208	16" x 12" x 6"/8" (407) x (305) x (152/203)	15 Devices 4 Rows	SJICH-CS-080806	8" x 8" x 6" (203) x (203) x (152)	4 Devices 2 Rows
USF-CS-161606 USF-CS-161608	16" x 16" x 6"/8" (407) x (407) x (152/203)	23 Devices 4 Rows	SJICH-CS-100806	10" x 8" x 6" (254) x (203) x (152)	6 Devices 2 Rows
USF-CS-201606 USF-CS-201608	20" x 16" x 6"/8" (508) x (407) x (152/203)	29 Devices 5 Rows	SJICH-CS-101006	10" x 10" x 6" (254) x (254) x (152)	8 Devices 2 Rows
USF-CS-202006 USF-CS-202008	20" x 20" x 6"/8" (508) x (508) x (152/203)	39 Devices 5 Rows	SJICH-CS-121006	12" x 10" x 6" (305) x (254) x (152)	12 Devices 3 Rows
USF-CS-241606 USF-CS-241608	24" x 16" x 6"/8" (610) x (407) x (152/203)	35 Devices 6 Rows	SJICH-CS-121206	12" x 12" x 6" (305) x (305) x (152)	15 Devices 3 Rows
USF-CS-242006 USF-CS-242008	24" x 20" x 6"/8" (610) x (508) x (152/203)	47 Devices 6 Rows	SJICH-CS-141206	14" x 12" x 6" (356) x (305) x (152)	15 Devices 3 Rows
USF-CS-242406 USF-CS-242408	24" x 24" x 6"/8" (610) x (610) x (152/203)	50 Devices 5 Rows	SJICH-CS-161406	16" x 14" x 6" (407) x (356) x (152)	24 Devices 4 Rows
USF-CS-302008	30" x 20" x 8" (762) x (508) x (203)	56 Devices 7 Rows			
USF-CS-302408	30" x 24" x 8" (762) x (610) x (203)	70 Devices 7 Rows			
USF-CS-303008	30" x 30" x 8" (762) x (762) x (203)	84 Devices 7 Rows			
USF-CS-362408	36" x 24" x 8" (915) x (610) x (203)	90 Devices 9 Rows			

USF-CS / SJICH-CS SERIES



CUSTOM BUILT ASSEMBLIES

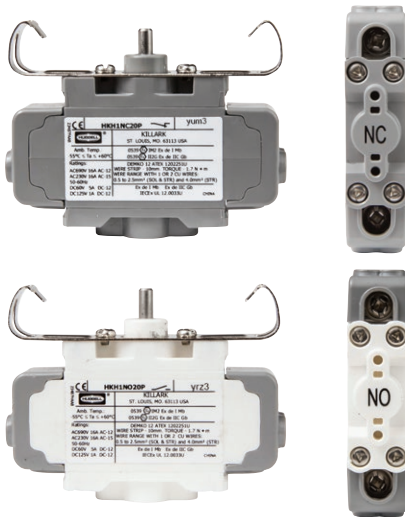


Ammeters and Voltmeters can be installed for use in IECEx/ATEX areas of classification ONLY.

Not certified for use in North America.

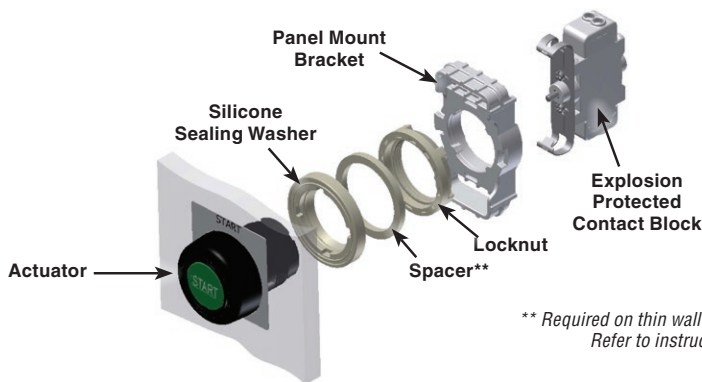
72mm, 1A Ammeters with scales ranging from 0-1 to 0-600 with a 5x Overload Scale for use with Current Transformers or Direct Measure.

Voltmeters with scales of 0-25 to 0-500V.



Contact Blocks supplied are Panel Mounted to a bracket that locks into place on the actuator housing. Offered in Normally Open and Normally Closed these Patented contact blocks are made with Silver contact material and gold plated for low voltage applications and corrosion resistance.

- **UL ELECTRICAL RATING:** 690Vac, 20A, 50-60Hz, 60Vdc, 5A, 110Vdc, 2A, 255Vdc, 1.5A, 1/2 HP @120Vac, 1 HP@208/240/277Vac, A600/P600- Pilot Duty 350Vac- Tungsten Lamp.
- **WIRE ALLOWANCES:** WIRE RANGE with 1 or 2 WIRES: #22 to #12 AWG (SOL & STR) and #10 AWG (STR).
- **IEC ELECTRICAL RATINGS:** AC690V 16A AC-12, 50-60 Hz, AC230V 16A AC-15, 50-60Hz, DC60V 5A DC-12, DC125 1A DC-12.
- **WIRE ALLOWANCES:** WIRE RANGE with 1 or 2 WIRES: 0.5 to 2.5mm (SOL & STR) and 4.0mm² (STR)



** Required on thin wall Panel only < .16" thick.
Refer to instruction sheet for actuator.



Pilot Light Applications for US/CAN:

Pilot Light shall be installed in a Class I, Zone 1, AEx e IIC/Ex e IIC increased safety enclosure with a minimum IP54 rating or a Class I, Zone I, AEx d IIC/Zone 21, AEx tb IIIC/Ex d IIC/Ex tb IIIC flameproof/dust enclosure with a minimum IP64 rating, where the suitability is determined in the end application. Electrical Rating: 12-250Vac/Vdc, 50-60 Hz, 0.6 WATTS.

Pilot Light Applications for ATEX/IECEx:

Pilot Light shall be installed in a Group I and/or Group II, 'Ex e' increased safety enclosure with a minimum IP54 rating or an 'Ex d/tb' flameproof/dust enclosure with a minimum IP64 rating, where the suitability is determined in the end application. Electrical Rating: 12-254 Vac/Vdc, 50-60 Hz, 0.6 WATTS.

Wire Allowances:

WIRE RANGE with 1 or 2 WIRES: #22 to #12 AWG (SOL & STR) and #10 AWG (STR) 0.5 to 2.5mm (SOL & STR) and 4.0mm² (STR)



ENCLOSURE BASIC CATALOG NUMBER LOGIC

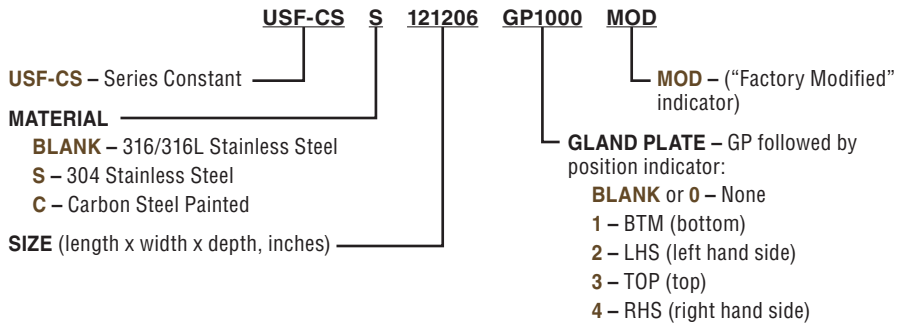
Control Station details to be supplied for devices, cable/conduit entries, terminal block requirements, etc.



USF-CS Series

USF-CS Enclosures Features

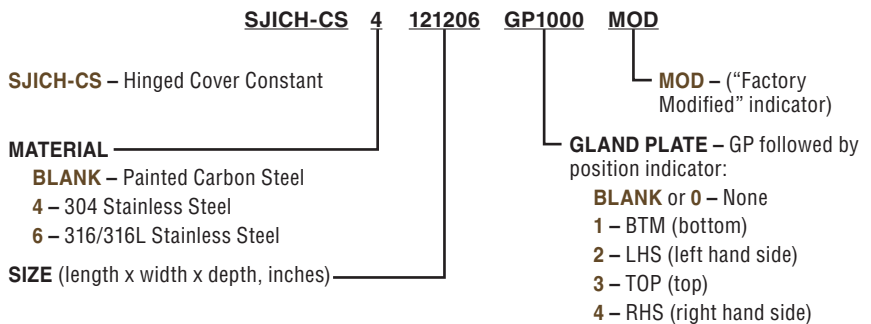
- External slope top flange directs water, melting ice & snow and dust build up away from the opening side of the door.
- Continuous robot welded seams for a hose down tight seal.
- Concealed hinges with removable hinge pins.
- Ground/earthing studs in both cover and through wall of the box.
- Quarter turn 316 stainless steel latch
- One piece high temperature closed cell silicone gasket. With superior recovery and re-sealing properties.
- Sturdy 14 gauge box construction helps prevent bending or permanent deflection of the walls when field installing openings.
- Bi-directional removal mounting lugs for the widest flexibility during installations.
- Openings for glands or conduits factory or field installed—option for gland plates.

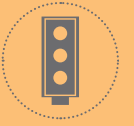


SJICH-CS Series

SJICH-CS Enclosures Features


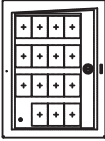
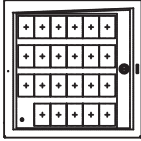
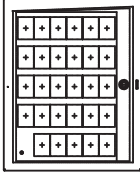
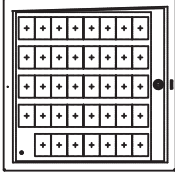
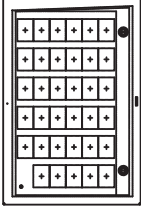
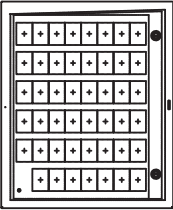
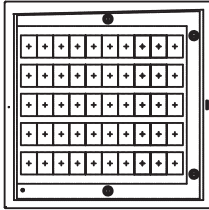
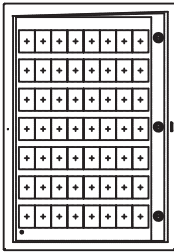
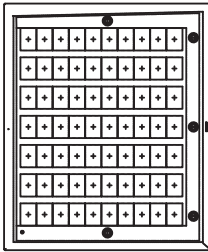
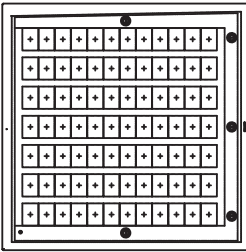
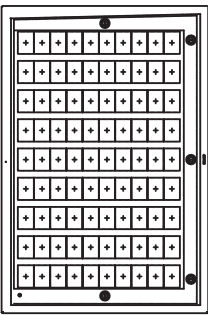
- Screw covers 316 stainless steel
- Continuous robot welded seams for a hose down tight seal.
- Ground/earthing studs in both cover and through wall of the box.
- One piece high temperature closed cell silicone gasket. With superior recovery and re-sealing properties.
- Sturdy 14 gauge box construction helps prevent bending or permanent deflection of the walls when field installing openings.
- Welded one piece mounting flanges top and bottom for strength.
- Openings for glands or conduit



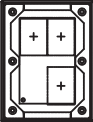
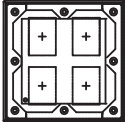
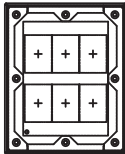
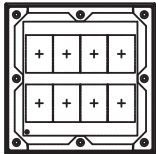
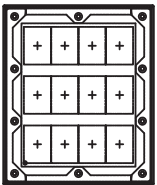
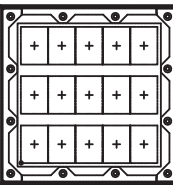
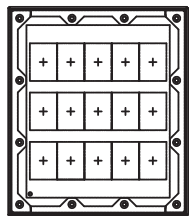
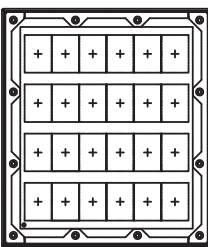


STANDARD OPERATOR LAYOUTS


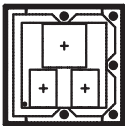
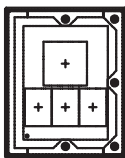
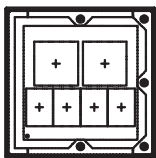
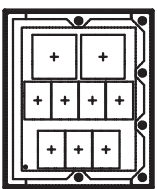
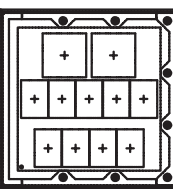
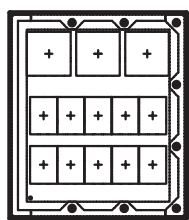
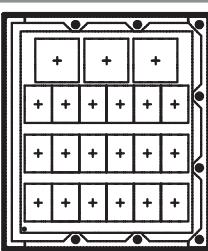
USF-CS STANDARD LAYOUT OPERATOR QUANTITIES

					
USF1212 (8 DEV.)	USF1612 (15 DEV.)	USF1616 (23 DEV.)	USF2016 (29 DEV.)	USF2020 (39 DEV.)	USF2416 (35 DEV.)
					
USF2420 (47 DEV.)	USF2424 (50 DEV.)	USF3020 (56 DEV.)	USF3024 (70 DEV.)	USF3030 (84 DEV.)	USF3624 (90 DEV.)

SJICH-CS STANDARD LAYOUT OPERATOR QUANTITIES

							
SJICH0806 (3 DEV.)	SJICH0808 (4 DEV.)	SJICH1008 (6 DEV.)	SJICH1010 (8 DEV.)	SJICH1210 (12 DEV.)	SJICH1212 (15 DEV.)	SJICH1412 (15 DEV.)	SJICH1614 (24 DEV.)

ALTERNATIVE LAYOUTS WITH METERS

							
SJICH0806 (1 Meter & 1 DEV.)	SJICH0808 (1 Meter & 2 DEV.)	SJICH1008 (1 Meter & 3 DEV.)	SJICH1010 (2 Meters & 4 DEV.)	SJICH1210 (2 Meters & 7 DEV.)	SJICH1212 (2 Meters & 9 DEV.)	SJICH1412 (3 Meters & 10 DEV.)	SJICH1614 (3 Meters & 18 DEV.)

Note: Ammeters will use up four spaces.



CONTROLS
HKH SERIES

ACTUATOR PROPERTIES AND PANEL MOUNT INSTALLATION

ATEX/IECEX Certified

0518 II 2 G Ex eb IIC Gb
0518 II 2 D Ex tb IIIC Db
IP66
-50°C ≤ Ta ≤ 60°C
DEMKO 14 ATEX 1400U
Ex eb IIC Gb
Ex tb IIIC Db
-50°C ≤ Ta ≤ +60°C
IECEX UL 14.0104U

cULus Certified

Class I, Zone 1, AEx eb IIC Gb / Ex eb IIC Gb U
Zone 21, AEx tb IIIC Db / Ex tb IIIC Db U
Class I, Division 2, Groups A, B, C, D
Class II, Div. 1, Groups E, F, G (Canada)
Class II, Division 2, Groups E, F, G
Class III, Division 1 (Canada)
Class III
-50°C ≤ Ta ≤ +60°C
Type 3/4/4X/12/13 IP66



HKHPBMSS

Momentary Push Button will depress two Contact Blocks. Supplied with 7 colored inserts.



HKHPBMTTC

Momentary Push Button will depress three Contact Blocks. Supplied with 7 colored inserts.



HKHPBMMMR, HKHPBMMMG, HKHPBMMMB

Momentary Mushroom Push Button will depress two Contact Blocks. Available in Red, Green and Black

HKHPBPMTMR, HKHPBPMTMG, HKHPBPMTMB

Maintained Mushroom Push Button with Pull Release will depress two Contact Blocks. Available in Red, Green and Black.



HKH2PSMTH, HKH2PSMTV, HKH2PSMMRH, HKH2PSMMRV

2 Position Rotary Selector Switches for Maintained and Momentary action will depress two Contact Blocks.

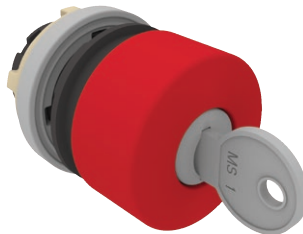
HKH3PSMTIH, HKH3PSMTIV, HKH3PSMMRH, HKH3PSMMRV, HKH3PSMMLH, HKH3PSMMLV, HKH3PSMMLRH, HKH3PSMMLRV

3 Position Rotary Selector Switches for Maintained and Momentary action with Independent Cams that will depress one Contact Block in each Left and Right Positions.



HKHPBILLMM

Momentary Illuminated Push Button with LED Lamp that will depress two Contact Blocks. Available with Red, Green, Amber, Clear and Blue transparent inserts.



HKHPBKMTMRH*, HKHPBKMTMRV*

Maintained Mushroom Push Button with Key Release will depress two Contact Blocks. Available in Red only.

* MS-1 key supplied as standard. Additional key numbers available by adding digit at end of catalog numbers. Key numbers available 2, 3, 4, 5, 6 (HKHPBKMTMRV4)



HKH2PSKH*, HKH2PSKV*

2 Position Key Rotary Selector Switches for Maintained and Momentary action will depress two Contact Blocks.

HKH3PSKIH*, HKH3PSKIV*

3 Position Key Rotary Selector Switches for Maintained and Momentary action with Independent Cams that will depress one Contact Block in each Left and Right Positions.

NOTE: Not rated Type 13



HKHPLR, HKHPLG, HKHPLA, HKHPLC, HKHPLB

Pilot Light Lens Assembly. Available in Red, Green, Amber, Clear and Blue



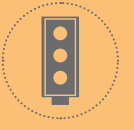
HKHPBTMTMR

Maintained Mushroom Push Button with Twist Release will depress two Contact Blocks. Available in Red only



HKHDBLPBMMGR

Double Momentary Push Button will depress one Contact Block on each button. Supplied with 7 colored inserts shown by HKHPBMSS.



DIMENSIONAL DATA FOR INSTALLATION OF HKH PANEL MOUNTED ACTUATORS

HAZCON®

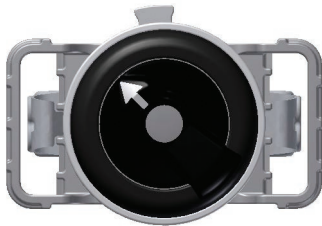


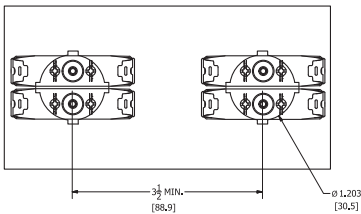
Figure 1

Orientation of rotary actuator part numbers ending in "V"
Keyway positioned at 12 o'clock

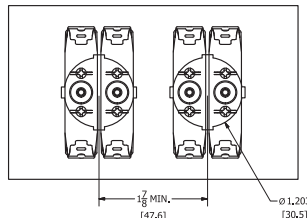


Figure 2

Orientation of rotary actuator part numbers ending in "H"
Keyway positioned at 3 o'clock



Minimum spacing for rotary actuator part numbers ending in "V"



Minimum spacing for rotary actuator part numbers ending in "H"

Note: Some Actuators are supplied with an "H" or a "V" at the end of the catalog number. These letters apply to the orientation of the din rail when used in applications with din rails. This feature allows for two different spacings when installed as panel mount. See details for "H" & "V" actuator spacing and contact block orientation.

When installing other actuators such as push buttons & pilot lights the keyway must also be positioned in the same location as the rotary actuators. See Fig. 1 and Fig. 2



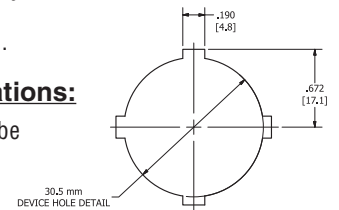
For installation on
Type 1, 3, 3R, 4/4X,
12 & 13 and IP66
Enclosures

For US / CAN Applications:

Actuators and Pilot Light Lens Assembly shall be installed in a Class I, Zone 1, AEx e IIC / Ex e IIC increased safety enclosure where the suitability is determined in the end application.

For ATEX / IECEx Applications:

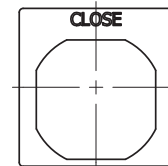
Actuators and Lens Covers shall be installed in a Group I and/or Group II, 'Ex e' increased safety enclosure where the suitability is determined in the end application.



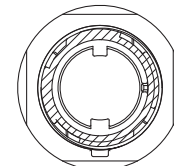
30.5mm Device Hole Detail

Important to maintain Ingress Protection

ACTUATOR LEGEND PLATES:



Legend Plate



Actuator Housing

HKH actuators will only accept Killark Legend Plates. To insure ingress protection and proper operation is maintained the four flat sides of the plate must match up to the four flat areas on the bottom side of the actuator housing. This must be done to allow the legend plate to float freely under the actuator housing.



HAZCON® CONTROL PANELS

- SJIC-CS, SJICH-CS and USF-CS Control Stations supplied with screw type or cage clamp terminals.
- HKH HAZCON Panel Mount Actuators installed on door and wired to din rail type terminals on request.
- Available in Painted Carbon Steel, 304 & 316 Stainless Steel material in sizes up to 362410 in USF and 161406 in SJIC/SJICH.

Class I, Div. 2, Grps. A, B, C and D
Ex db eb Class I, Zone 1, AEx db eb IIC
T6...T4 Gb
CSA Encl. Type 4 or 4X, IP66
Ta= -50°C to +40°C (Temp Code T6) or
+55°C (Temp Code T5)
or +60°C (Temp Code T4)

 CSA 15.70013827

Note: Refer to "Enclosures" Section for available sizes of USF and SJIC/SJICH Terminal Boxes. Consult Factory for Make to Order Control Stations.



CONTROLS HKH SERIES

ACTUATOR ACCESSORIES



HKHPBMMDHLO



HKHPBSSMFLO



HKHPBMBLO



HKHPBMHLO



HKHMRSRDYL



HKHDBLPBMMDHLO



HKH2PSSHLO



HKH3PSSHLO

L1 – HINGED STAINLESS STEEL LOCKOUT for standard momentary push button in depressed position

L2 – PLASTIC FLIP COVER LOCKOUT used for momentary push button actuators, selector switch actuators, and mushroom push button actuators

L3 – BAR ON CHAIN STAINLESS STEEL LOCKOUT used for mushroom push buttons in depressed position

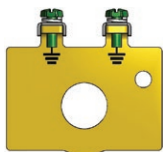
L4 – HINGED STAINLESS STEEL LOCKOUT for mushroom push button in depressed position

L5 – PLASTIC MUSHROOM BUTTON SHROUD

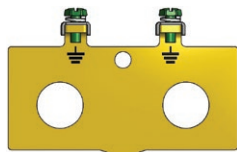
L6 – HINGED STAINLESS STEEL LOCKOUT for double momentary push button in depressed position

L7 – HINGED STAINLESS STEEL LOCKOUT for 2 position rotary selector switch in left or right position

L8 – HINGED STAINLESS STEEL LOCKOUT for 3 position rotary selector switch in left, center or right position



HKHGP11M20



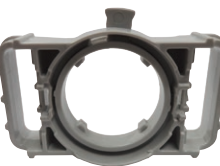
HKHGP22M20



HKHANTOOL



HKHCP

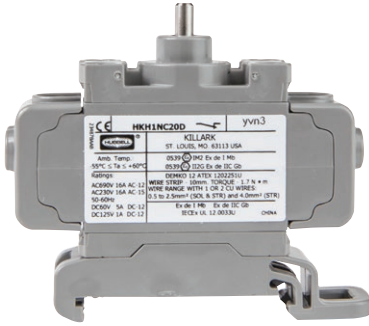


HKHPMBRKT (2 Modules)
HKHPMBRKTMM (3 Modules)
One panel mount bracket required with each actuator for panel mount applications. Additionally use contact blocks and pilot light modules ending in "P". HKHPMBRKTMM used only with HKHPBMMTC and HKHPBILLMM

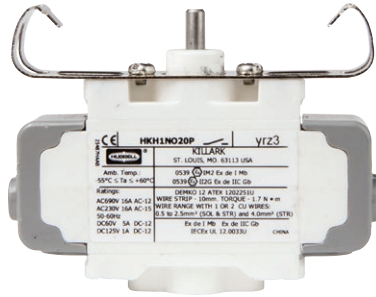
ACCESSORIES	
CATALOG NUMBER	DESCRIPTION
HKHPBSSMFLO	Mom. PB, Selector Switch, Mushroom PB, Plastic Flip Cover Lockout
HKHPBMMDHLO	PB Depressed Std. Momentary Hinged Stainless Steel Lockout
HKHPBMHLO	PB Depressed Mushroom Hinged Stainless Steel Lockout
HKHPBMBLO	Mushroom Bar On Chain Stainless Steel Lockout
HKHDBLPBMMDHLO	Double PB Depressed Momentary Hinged Stainless Steel Lockout
HKH2PSSHLO	2 Position Rotary Selector Switch Hinged Stainless Steel Lockout
HKH3PSSHLO	3 Position Rotary Selector Switch Hinged Stainless Steel Lockout
BRASS EARTH CONTINUITY PLATE (ECP)	
CATALOG NUMBER	DESCRIPTION
HKHGP12M20	Ground Plate, Brass SZ 1 Encl. 2-M20
HKHGP11M20	Ground Plate, Brass SZ 1 Encl. 1-M20
HKHGP11M25	Ground Plate, Brass SZ 1 Encl. 1-M25
HKHGP11M32	Ground Plate, Brass SZ 1 Encl. 1-M32
HKHGP22M25	Ground Plate, Brass SZ 2 Encl. 2-M25
HKHGP22M20	Ground Plate, Brass SZ 2 Encl. 2-M20
HKHGP21M32	Ground Plate, Brass SZ 2 Encl. 1-M32
ACTUATOR NUT ASSEMBLY TOOL	
HKHANTOOL	Actuator Nut Assembly Tool
CONTACT BLOCK & PILOT LIGHT PANEL MOUNT BRACKET	
HKHPMBRKT	Contact Block & Pilot Light Panel Mount Bracket
HKHPMBRKTMM	Panel Mount Bracket for 3 modules
COVER PLUG	
HKHCP	Cover Device Plug
MUSHROOM BUTTON SHROUDS	
HKHMRSRDYL	Yellow Shroud (Specify Marking if Required)
HKHMRSRDBK	Black Shroud (Specify Marking if Required)



FACTORY SEALED CONTACT BLOCK MODULES



HKH1NC20D



HKH1NO20P

ATEX/IECEx Certified

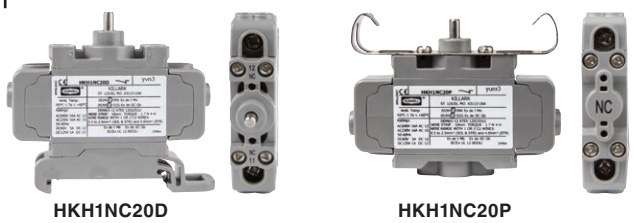
0518 I M 2 Ex de I Mb
0518 II 2 G Ex de IIC Gb
 Ambient Range: -55°C < Ta < 60°C
DEMKO 12 ATEX 1202251U
 Ex de I Mb Ex de IIC Gb
IECEx UL 12.0033U

cULus Certified

Class I, Zone 1, AEx de IIC T4 / Ex de IIC T4 X
Class I, Division 2, Groups A, B, C, D
 Ambient Range: -55°C < Ta < 60°C



Normally Closed Contact Identification:
 All Gray marked: N.C./ (11&12)



Normally Open Contact Identification:
 White center body with gray terminal covers marked: N.O./ (13&14)



HAZCON™

Applications

Standard control station assemblies are supplied with electrical devices mounted to a din rail inside the box portion of the control station, identified with a "D" in the catalog number. i.e. HKH1AND2P11K8, containing contact blocks ending in "D". When panel or cover mounted version is desired one HKHPMBRKT bracket is required for each actuator to assemble contacts, no DIN Rail supplied. Bracket will mount one contact block in the center or two side by side. Contact block part numbers ending in "P" supplied. Complete control station catalog number to be HKH1ANP2P11K8.

CONTACT BLOCK APPLICATIONS FOR US/CAN:

Contact block shall be installed in a Class I, Zone 1, AEx e II/Ex e IIC increased safety enclosure with a minimum IP54 rating or a Class I, Zone 1, AEx d IIC/Zone 21, Aex tb minimum IP64 rating, where the suitability is determined in the end application.

CONTACT BLOCK APPLICATIONS FOR ATEX/IECEx:

Contact block shall be installed in a Group I and/or Group II, 'Ex e' increased safety enclosure with a minimum IPS4 rating or an 'Ex d/ tb' flameproof/dust enclosure with a minimum IP64 rating, where the suitability is determined in the end application.

CONTACT BLOCK FEATURES:

- UL ELECTRICAL RATING:** 690Vac, 20A, 50-60Hz, 60Vdc, 5A, 110Vdc, 2A, 255Vdc, 1.5A, 1/2 HP @120Vac, 1 HP@208/240/277Vac, A600/P600- Pilot Duty 350Vac-Tungsten Lamp.
- UL WIRE ALLOWANCES:** WIRE RANGE with 1 or 2 WIRES: #22 to #12 AWG (SOL & STR) and #10 AWG (STR).
- IEC ELECTRICAL RATINGS:** AC690V 16A AC-12, 50-60 Hz, AC230V 16A AC-15, 50-60Hz, DC60V 5A DC-12, DC125 1A DC-13.
- IEC WIRE ALLOWANCES:** WIRE RANGE with 1 or 2 WIRES: 0.5 to 2.5mm (SOL & STR) and 4.0mm² (STR)
- Silver Alloy contacts with Gold Flashing.



SS Terminal Screw Head for use with the following screwdriver types:

- Slotted
- Phillips
- Robertson



Wire Range for 1 or 2 conductors as listed:

- 0.5 to 2.5mm² (SOL & STR)
- 4.0mm² (STR)
- #22 to #12 AWG (SOL & STR)
- #10 AWG (STR)

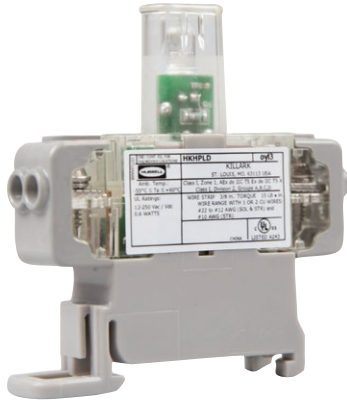
CONTACT BLOCK

CATALOG NUMBERS	DESCRIPTION
HKH1NO20D	N.O. Contact, 20A DIN Rail Mount
HKH1NC20D	N.C. Contact, 20A DIN Rail Mount
HKH1NO20P	N.O. Contact, 20A Panel Mount
HKH1NC20P	N.C. Contact, 20A Panel Mount

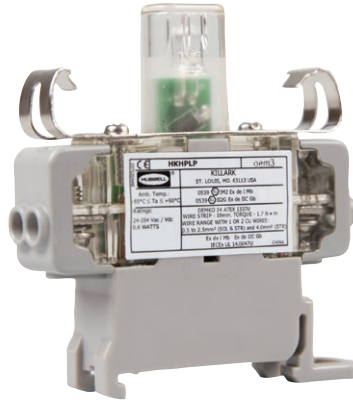


CONTROLS HKH SERIES

FACTORY SEALED PILOT LIGHT MODULES



HKHPLD



HKHPLP

ATEX/IECEx Certified

0518 I M 2 Ex de I Mb

0518 II 2 G Ex de IIC Gb

Ambient Range: $-50^{\circ}\text{C} < T_a < 60^{\circ}\text{C}$

DEMKO 14 ATEX 1337U

Ex de I Mb Ex de IIC Gb

IECEx UL 14.0047U

cULus Certified

Class I, Zone 1, AEx d IIC T5 / Ex de IIC T5 X

Class I, Division 2, Groups A, B, C, D
Ambient Range: $-50^{\circ}\text{C} < T_a < 60^{\circ}\text{C}$



PILOT	
CATALOG NUMBERS	DESCRIPTION
HKHPLD	Pilot Light Module DIN Rail Mount
HKHPLP	Pilot Light Module Panel Mount

PILOT LIGHT APPLICATIONS FOR US/CAN:

Pilot Light shall be installed in a Class I, Zone 1, AEx e IIC/Ex e IIC increased safety enclosure with a minimum IP54 rating or a Class I, Zone 1, AEx d IIC/Zone 21, AEx tb IIC/Ex d IIC/Ex tb IIC flameproof/dust enclosure with a minimum IP64 rating, where the suitability is determined in the end application. **ELECTRICAL RATING:** 12-250Vac/Vdc, 50-60 Hz, 0.6 WATTS.

PILOT LIGHT APPLICATIONS FOR ATEX/IECEx:

Pilot Light shall be installed in a Group I and/or Group II, 'Ex e' increased safety enclosure with a minimum IP54 rating or an 'Ex d/tb' flameproof/dust enclosure with a minimum IP64 rating, where the suitability is determined in the end application. **ELECTRICAL RATING:** 12-254 Vac/Vdc, 50-60 Hz, 0.6 WATTS.

WIRE ALLOWANCES:

WIRE RANGE with 1 or 2 WIRES: #22 to #12 AWG (SOL & STR) and #10 AWG (STR) 0.5 to 2.5mm (SOL & STR) and 4.0mm² (STR)

AMMETERS, 1A, 72MM



MEASURING TYPE	OVERLOAD SCALE	MEASURING RANGE
Direct Measuring	2	0-1 / 2A
		0-4 / 8A
		0-5 / 10A
		0-10 / 20A
		0-15 / 30A
For Current Transformer	5	0-1 / 5A
		0-2.5 / 12.5A
		0-5 / 25A
		0-15 / 75A
		0-25 / 125A
		0-40 / 200A
		0-50 / 250A
		0-60 / 300A
		0-75 / 375A
		0-100 / 500A
		0-150 / 750A
		0-200 / 1000A
		0-250 / 1250A
		0-300 / 1500A
		0-400 / 2000A
0-500 / 2500A		
0-600 / 3000A		



VOLTMETERS, 72MM



RANGE (AC)
0-25V
0-40V
0-150V
0-250V
0-500V



ATEX/IECEx Certified

Ex e II

IECEx CQM 08.0007U

II 2G Ex e II

DNV-2008-OSL

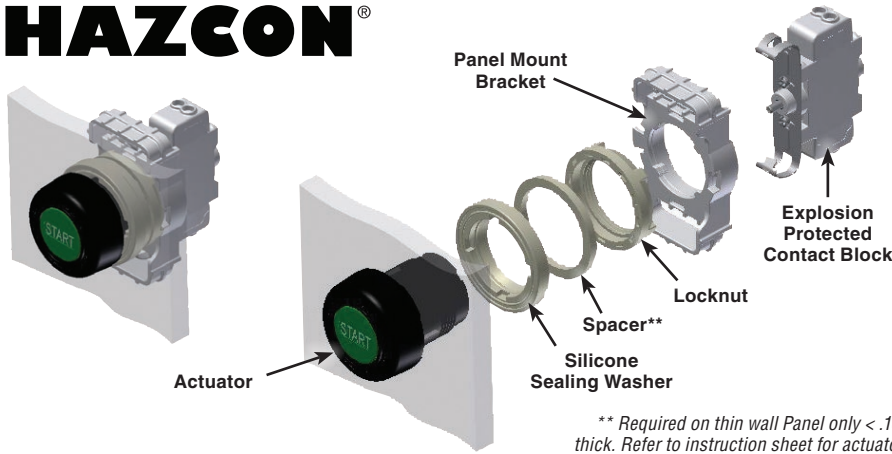
-ATEX-21659U

$-40^{\circ}\text{C} < T_a < 60^{\circ}\text{C}$



ACTUATOR ASSEMBLIES FOR PANEL MOUNT APPLICATIONS

HAZCON®



** Required on thin wall Panel only < .16" thick. Refer to instruction sheet for actuator.

ATEX/IECEX Certified
 0518 Ⓢ II 2 G Ex eb IIC Gb
 0518 Ⓢ II 2 D Ex tb IIIC Db
 IP66
 -50°C ≤ Ta ≤ 60°C
DEMKO 14 ATEX 1400U
 Ex eb IIC Gb
 Ex tb IIIC Db
 -50°C ≤ Ta ≤ +60°C
IECEX UL 14.0104U
cULus Certified
 Class I, Zone 1, AEx eb IIC Gb / Ex eb IIC Gb U
 Zone 21, AEx tb IIIC Db / Ex tb IIIC Db U
 Class I, Division 2, Groups A, B, C, D
 Class II, Div. 1, Groups E, F, G (Canada)
 Class II, Division 2, Groups E, F, G
 Class III
 -50°C ≤ Ta ≤ +60°C
 Type 3/4/4X/12/13 IP66



Complete actuator catalog numbers with contacts for mounting to your panel with cover thickness from 0.04" to 0.25".

MOMENTARY START/STOP PUSH BUTTONS	
BASIC CATALOG NUMBERS	DESCRIPTION
HKHPBMSS1	Momentary Push Button with 1 N.O. and 1 N.C. contact – includes Grn Start, Grn (i), Red Stop and Red O, Green, Red and Black blank disc 7 HKHPMBRKT
HKHPBMTC1	Momentary Push Button, 3 contacts
HKHPBILLMM1	Momentary Illuminated Push Button
MOMENTARY MUSHROOM HEAD PUSH BUTTONS	
HKHPBMMR1	Momentary Mushroom PB, Red with 1 N.O. and 1 N.C. contact and HKKPMBRKT
HKHPBMMB1	Momentary Mushroom PB, Black with 1 N.O. and 1 N.C. contact and HKKPMBRKT
HKHPBMMG1	Momentary Mushroom PB, Green with 1 N.O. and 1 N.C. contact and HKKPMBRKT
DOUBLE MOMENTARY PUSH BUTTON	
HKHDBLPBMGR1	Double Momentary Push Button, Red and Green Buttons with 1 N.O. and 1 N.C. and HKKPMBRKT
MAINTAINED MUSHROOM HEAD PUSH BUTTONS	
HKHPBPMTR1	Maintained Mushroom Push/Pull PB, Red with 1 N.O. and 1 N.C. contact and HKKPMBRKT
HKHPBPMTB1	Maintained Mushroom Push/Pull PB, Black with 1 N.O. and 1 N.C. contact and HKKPMBRKT
HKHPBPMTG1	Maintained Mushroom Push/Pull PB, Green with 1 N.O. and 1 N.C. contact and HKKPMBRKT
HKHPBTMTR1	Maintained Mushroom PB Twist Release, Red with 1 N.O. and 1 N.C. contact and HKKPMBRKT
HKHPBKMTMRH1	Maintained Push Button Key Release, Mushroom Red HD, horizontal with 1 N.O. and 1 N.C. contact and HKKPMBRKT
HKHPBKMTMRV1	Maintained Push Button Key Release, Mushroom Red HD, vertical with 1 N.O. and 1 N.C. contact and HKKPMBRKT
PILOT LIGHT LENS ASSEMBLY	
HKHPLRL	Pilot Light Red Lens Assembly with 12-254V AC/DC lamp module
HKHPLGL	Pilot Light Green Lens Assembly with 12-254V AC/DC lamp module
HKHPLAL	Pilot Light Amber Lens Assembly with 12-254V AC/DC lamp module
HKHPLCL	Pilot Light Clear Lens Assembly with 12-254V AC/DC lamp module
HKHPLBL	Pilot Light Blue Lens Assembly with 12-254V AC/DC lamp module
2 POSITION SELECTOR SWITCHES	
HKH2PSMTH1	2 Position Maintained Contact, Horizontal with 1 N.O. and 1 N.C. contact and HKKPMBRKT
HKH2PSMTV1	2 Position Maintained Contact, Vertical with 1 N.O. and 1 N.C. contact and HKKPMBRKT
HKH2PSMMRH1	2 Position Momentary Right Contact, Horizontal with 1 N.O. and 1 N.C. contact and HKKPMBRKT
HKH2PSMMRV1	2 Position Momentary Right Contact, Vertical with 1 N.O. and 1 N.C. contact and HKKPMBRKT
HKH2PSKH1①	2 Position Keyed, Maint./Mom. right, horizontal with 1 N.O. and 1 N.C. contact and HKKPMBRKT
HKH2PSKV1①	2 Position Keyed Maint./Mom. right, vertical with 1 N.O. and 1 N.C. contact and HKKPMBRKT
3 POSITION SELECTOR SWITCHES	
HKH3PSMTIH4	3 Pos. Maintained Contact Independent Cam, Horizontal with 2 N.O. contacts and HKKPMBRKT
HKH3PSMTIV4	3 Pos. Maintained Contact Independent Cam, Vertical with 2 N.O. contacts and HKKPMBRKT
HKH3PSMMRH4	3 Pos. Mom. Right Maint. Left/Cntr Independent Cam, Horizontal with 2 N.O. contacts and HKKPMBRKT
HKH3PSMMRV4	3 Pos. Mom. right Maint. Left/Cntr Independent Cam, Vertical with 2 N.O. contacts and HKKPMBRKT
HKH3PSMMLH4	3 Pos. Mom. Left, Maint. Right/Cntr Independent Cam, Horizontal with 2 N.O. contacts and HKKPMBRKT
HKH3PSMMLV4	3 Pos. Mom. Left, Maint. Cntr/Right Independent Cam, Vertical with 2 N.O. contacts and HKKPMBRKT
HKH3PSMMLRH4	3 Pos. Mom. Left/Right, Maint. Cntr Independent Cam, Horizontal with 2 N.O. contacts and HKKPMBRKT
HKH3PSMMLRV4	3 Pos. Mom. Left/Right, Maint. Cntr Independent Cam, Vertical with 2 N.O. contacts and HKKPMBRKT
HKH3PSKIH4①	3 Position Keyed Maint./Mom. Independent Cam, horizontal with 2 N.O. contacts and HKKPMBRKT
HKH3PSKIV4①	3 Position Keyed Maint./Mom. Independent Cam, vertical with 2 N.O. contacts and HKKPMBRKT

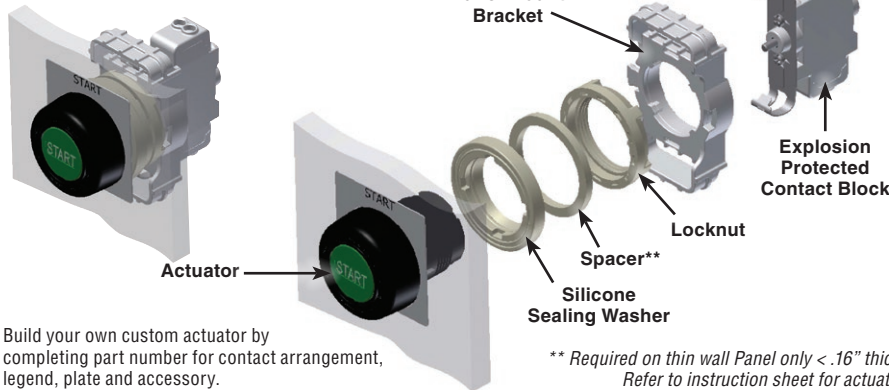
① Keyed Rotary Selectors are not Type 13.



CONTROLS HKH SERIES

ACTUATOR ASSEMBLIES FOR PANEL MOUNT APPLICATIONS MADE TO YOUR SPECIFICATIONS

HAZCON®



Build your own custom actuator by completing part number for contact arrangement, legend, plate and accessory.

ATEX/IECEX Certified

0518 Ex II 2 G Ex eb IIC Gb
0518 Ex II 2 D Ex tb IIIC Db
IP66

-50°C ≤ Ta ≤ 60°C
DEMKO 14 ATEX 1400U
Ex eb IIC Gb
Ex tb IIIC Db
-50°C ≤ Ta ≤ +60°C
IECEX UL 14.0104U

cULus Certified

Class I, Zone 1, AEx eb IIC Gb / Ex eb IIC Gb U
Zone 21, AEx tb IIIC Db / Ex tb IIIC Db U
Class I, Division 2, Groups A, B, C, D
Class II, Div. 1, Groups E, F, G (Canada)
Class II, Division 2, Groups E, F, G
Class III
-50°C ≤ Ta ≤ +60°C
Type 3/4/4X/12/13 IP66



To order complete with mounting bracket, contacts or pilot light module add suffix to end of catalog number for each;

CONTROL MODULE

L – Led Lamp 3 – 1NC *6 – 2NO/1NC ‡10 – 1NO/1NC/LED
1 – 1NO/1NC 4 – 2NO *7 – 1NO/2NC ‡11 – 2NO/LED
2 – 1NO 5 – 2NC *8 – 3NO ‡12 – 2NC/LED
*9 – 3NC

* Available only with operator HKHPBMMTC

‡ Available only with operator HKHPBILLMM

LEGEND PLATE

A – Start	Q – Down
B – Stop	R – On-Off
C – On	S – Off-On
D – Off	T – Up-Down
E – Emergency Stop	X – Hand-Auto
F – Push To Test	Y – Open-Close
G – Raise	Z – Off-Remote
H – Lower	0 – Blank
J – Open	1 – Specify Custom Marking
K – Close	2 – Raise-Off-Lower
L – Forward	3 – Jog-Off-Run
M – Reverse	4 – Run-Off-Jog
N – Reset	5 – Fwd-Off-Rev
P – Up	9 – Hand-Off-Auto

ACCESSORY

L1 – Lockout SST Depressed Lockout, Push Button, Momentary
L2 – Lockout, Plastic Cover, Push Button, Mushroom, Selector
L3 – Lockout, SST Bar Lockout, Push Button, Depressed Mushroom
L4 – Lockout, SST Hinged, Push Button, Depressed Mushroom
L6 – Hinged Stainless Steel Lockout for double momentary push button in depressed position
L7 – Hinged Stainless Steel Lockout for 2 position rotary selector switch in left or right position
L8 – Hinged Stainless Steel Lockout for 3 position rotary selector switch in left, center or right position

i.e. Momentary Push Button complete with Panel Mounting Bracket, control module for 1NO/1NC contact, "START" Legend Plate, and plastic Flip Cover Lockout: HKHPBMMSS1AL2

For red Pilot Light complete with Panel Mounting Bracket, LED Module, and "OFF" Legend Plate: HKHPLRLD

MOMENTARY START/STOP PUSH BUTTONS	
BASIC CATALOG NUMBERS	DESCRIPTION
HKHPBMMSS(†)	Momentary PB, w/ GREEN Start, GREEN (I), Red Stop and Red (O), GREEN, RED and BLACK BLANK Discs
HKHPBMMTC()	Momentary Push Button, 3 Contacts
HKHPBILLMM()	Momentary Illuminated Push Button
MOMENTARY MUSHROOM HEAD PUSH BUTTONS	
HKHPBMMMR()	Momentary Mushroom PB, Red
HKHPBMMMB()	Momentary Mushroom PB, Black
HKHPBMMMG()	Momentary Mushroom PB, Green
DOUBLE MOMENTARY PUSH BUTTON	
HKHDBLPBMMGR()	Double Momentary PB, Green and Red Buttons
MAINTAINED MUSHROOM HEAD PUSH BUTTONS	
HKHPBMTMR()	Maintained Mushroom Push/Pull PB, Red
HKHPBMTMB()	Maintained Mushroom Push/Pull PB, Black
HKHPBMTMG()	Maintained Mushroom Push/Pull PB, Green
HKHPBTMTMR()	Maintained Mushroom PB Twist Release, Red
HKHPBKMTMRH()②	Maintained Push Button Key Release, Mushroom Red HD, Horizontal
HKHPBKMTMRV()②	Maintained Push Button Key Release, Mushroom Red HD, Vertical
PILOT LIGHT LENS ASSEMBLY	
HKHPLR()	Pilot Light Red Lens Assembly
HKHPLG()	Pilot Light Green Lens Assembly
HKHPLA()	Pilot Light Amber Lens Assembly
HKHPLC()	Pilot Light Clear Lens Assembly
HKHPLB()	Pilot Light Blue Lens Assembly
2 POSITION SELECTOR SWITCHES	
HKH2PSMTH()	2 Position Maintained Contact, Horizontal
HKH2PSMTV()	2 Position Maintained Contact, Vertical
HKH2PSMMRH()	2 Position Momentary Right Contact, Horizontal
HKH2PSMMRV()	2 Position Momentary Right Contact, Vertical
HKH2PSKH()①②	2 Position Keyed, Maint./Mom. Right, Horizontal
HKH2PSKV()①②	2 Position Keyed Maint./Mom. Right, Vertical
3 POSITION SELECTOR SWITCHES	
HKH3PSMTH()	3 Pos. Maintained Contact Independent Cam, Horizontal
HKH3PSMTV()	3 Pos. Maintained Contact Independent Cam, Vertical
HKH3PSMMRH()	3 Pos. Mom. Right Maint. Left/Cntr Independent Cam, Horizontal
HKH3PSMMRV()	3 Pos. Mom. Right Maint. Left/Cntr Independent Cam, Vertical
HKH3PSMMLH()	3 Pos. Mom. Left, Maint. Right/Cntr Independent Cam, Horizontal
HKH3PSMMLV()	3 Pos. Mom. Left, Maint. Cntr/Right Independent Cam, Vertical
HKH3PSMMLRH()	3 Pos. Mom. Left/Right, Maint. Cntr Independent Cam, Horizontal
HKH3PSMMLRV()	3 Pos. Mom. Left/Right, Maint. Cntr Independent Cam, Vertical
HKH3PSKIH()①②	3 Position Keyed Maint./Mom. Independent Cam, Horizontal
HKH3PSKIV()①②	3 Position Keyed Maint./Mom. Independent Cam, Vertical

① Keyed Rotary Selectors are not Type 13.

② All Keyed Actuators supplied with MS-1 key as standard. For different key add digit; 2, 3, 4, 5, or 6 after "H" or "V" in catalog number.



FACTORY SEALED CONTROLS - INTRODUCTION

SEAL-XM®



Class I, Div. 1 & 2, Groups B, C, D
Class I, Zone 1 & 2, Groups IIB, IIA
Class II, Div. 1 & 2, Groups E, F, G
Class III
Type 3

 Certified File 2493125

FEATURES-SPECIFICATIONS

Features

- Incorporates Factory Sealed Universal contact blocks and GOB3 LED pilot light devices
- External sealing fitting not required on standard assemblies. Group B configurations require sealing fitting beyond 60”.
- No seal plate between the electrical device and back box allows direct wiring to contact terminals
- Type 3 weatherproof
- Grounding boss supplied in the splice box
- Sold as complete units with 1/2”, 3/4”, or 1” hubs, in Dead End or Feed Thru configurations.
- More wiring room in back box

Materials

- | |
|--|
| FXCS-*-M Groups C, D
Copper free aluminum cover & box |
| FXCS-*-MB Groups B, C, D
Copper free aluminum cover & box |
| FXCS-*-MBI Groups B, C, D
Copper free aluminum cover & ductile iron back box
zinc electroplated |
| FXCS-*-MI Groups C, D
Copper free aluminum cover & ductile iron back box
zinc electroplated |
- Stainless steel captive cover screws
 - Operating shafts stainless steel
 - Standard finish is a grey epoxy powder baked on for ultimate corrosion resistance

Hazardous Rating:

Class I, Division 2, Groups A,B,C,D;
Class I, Zone 1, Group IIC

Terminal Capacity:

22 thru 12 AWG [0.52-2.5mm²] copper, solid or stranded conductors. Tightening torque: 20 in-lbs (2.2Nm)

Contact Electrical Ratings:

NEMA A600/P600 - Pilot Duty; 690VAC, 10A, 50-60Hz; 1/2HP @ 120VAC; 1HP @ 208/240/277 VAC; 60VDC, 5A; 110VDC, 2A; 250VDC, 1.5A; 600VDC, 0.2A

Pilot Light Electrical Ratings:

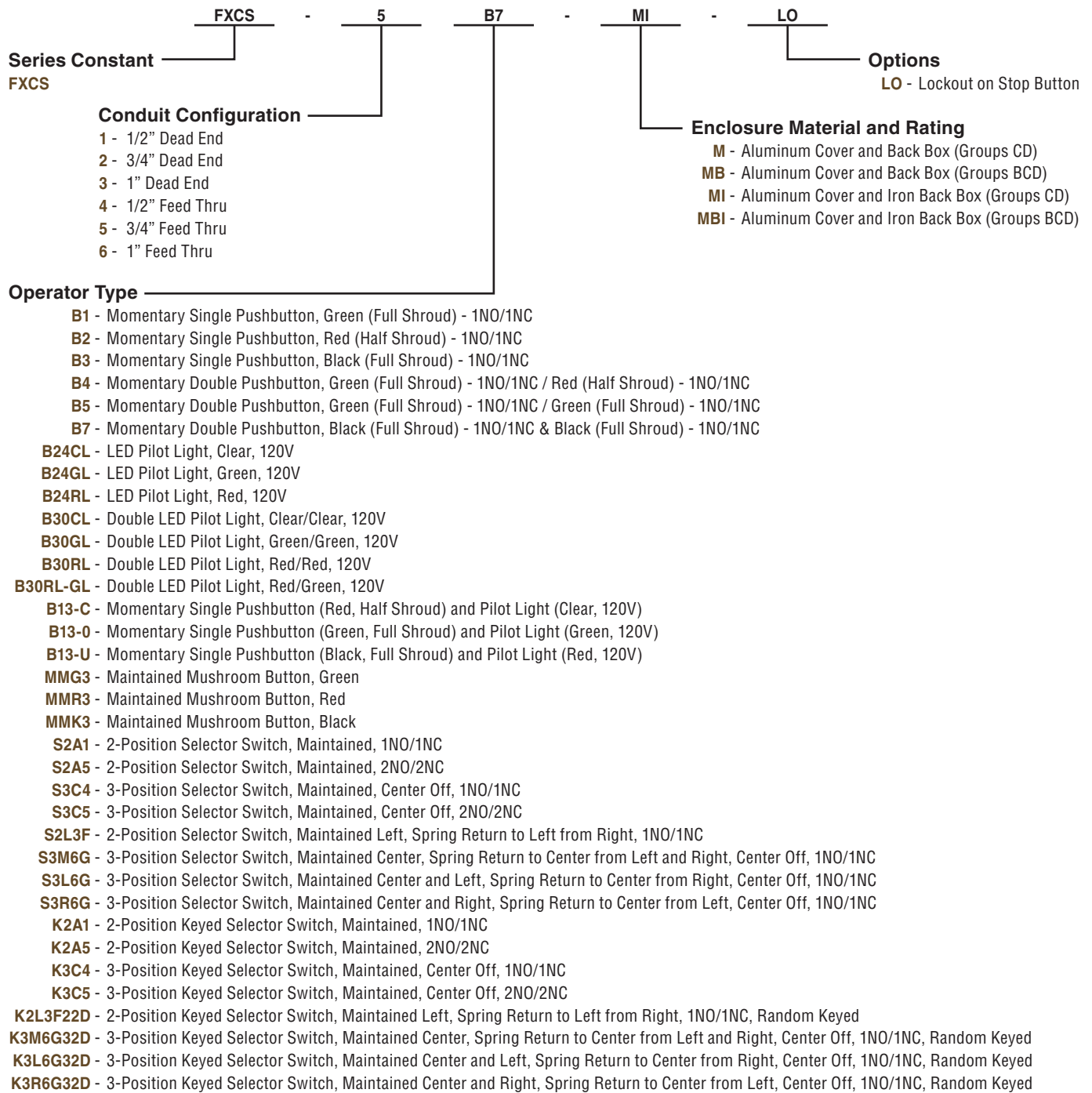
250 VAC max.



CONTROLS

SEAL-XM™ SERIES

FACTORY SEALED CONTROLS - CATALOG LOGIC





FACTORY SEALED CONTROL STATIONS



Single Push Button



Double Push Button



LED Pilot Light

SEAL-XM MOMENTARY CONTACT SINGLE PUSH BUTTON

CATALOG NUMBER		HUB SIZE	DIAGRAM	BUTTON COLOR	LEGEND PLATE MARKING
BOX COVER					
DEAD-END	FEED-THRU				
FXCS-1B1-M	FXCS-4B1-M	1/2"		Green	Start
FXCS-2B1-M	FXCS-5B1-M	3/4"			
FXCS-1B2-M	FXCS-4B2-M	1/2"		Red	Stop
FXCS-2B2-M	FXCS-5B2-M	3/4"			
FXCS-1B3-M	FXCS-4B3-M	1/2"		Black	Specify
FXCS-2B3-M	FXCS-5B3-M	3/4"			

SEAL-XM MOMENTARY CONTACT DOUBLE PUSH BUTTON

CATALOG NUMBER		HUB SIZE	DIAGRAM	BUTTON COLOR	LEGEND PLATE MARKING
BOX & COVER					
DEAD-END	FEED-THRU				
FXCS-1B4-M	FXCS-4B4-M	1/2"		Green/Red	Start/Stop
FXCS-2B4-M	FXCS-5B4-M	3/4"			
FXCS-1B5-M	FXCS-4B5-M	1/2"		Green/Green	Specify
FXCS-2B5-M	FXCS-5B5-M	3/4"			
FXCS-1B7-M	FXCS-4B7-M	1/2"		Black/Black	Specify
FXCS-2B7-M	FXCS-5B7-M	3/4"			

SEAL-XM LED PILOT LIGHT

CATALOG NUMBER		HUB SIZE	DIAGRAM	VOLTAGE ^③	LENS COLOR	LEGEND PLATE MARKING
BOX & COVER						
DEAD-END	FEED-THRU					
FXCS-1B24CL-M	FXCS-4B24CL-M	1/2"		120V	Clear	Specify
FXCS-2B24CL-M	FXCS-5B24CL-M	3/4"				
FXCS-1B24GL-M	FXCS-4B24GL-M	1/2"		120V	Green	Specify
FXCS-2B24GL-M	FXCS-5B24GL-M	3/4"				
FXCS-1B24RL-M	FXCS-4B24RL-M	1/2"		120V	Red	Specify
FXCS-2B24RL-M	FXCS-5B24RL-M	3/4"				



CONTROLS
SEAL-XM™ SERIES

FACTORY SEALED CONTROL STATIONS



Double LED
Pilot Light



Push Button
LED Pilot Light



Push/Pull
Mushroom

SEAL-XM DOUBLE LED PILOT LIGHT

CATALOG NUMBER		HUB SIZE	DIAGRAM	LAMP VOLTS	LENS COLOR	LEGEND PLATE MARKING
BOX & COVER						
DEAD-END	FEED-THRU					
FXCS-1B30CL-M	FXCS-4B30CL-M	1/2"		120V	Clear	Specify
FXCS-2B30CL-M	FXCS-5B30CL-M	3/4"				
FXCS-1B30GL-M	FXCS-4B30GL-M	1/2"		120V	Green	Specify
FXCS-2B30GL-M	FXCS-5B30GL-M	3/4"				
FXCS-1B30RL-M	FXCS-4B30RL-M	1/2"		120V	Red	Specify
FXCS-2B30RL-M	FXCS-5B30RL-M	3/4"				
FXCS-1B30RL-GL-M	FXCS-4B30RL-GL-M	1/2"		120V	Red/Green	Specify
FXCS-2B30RL-GL-M	FXCS-5B30RL-GL-M	3/4"				

SEAL-XM MOMENTARY CONTACT PUSH BUTTON AND LED PILOT LIGHT

CATALOG NUMBER		HUB SIZE	DIAGRAM	LAMP VOLTS	BUTTON COLOR	LENS COLOR	LEGEND PLATE MARKING	
BOX & COVER							BUTTON	LENS
DEAD-END	FEED-THRU							
FXCS-1B13-C-M	FXCS-4B13-C-M	1/2"		120V	Red	Clear	Stop	Specify
FXCS-2B13-C-M	FXCS-5B13-C-M	3/4"						
FXCS-1B13-O-M	FXCS-4B13-O-M	1/2"		120V	Green	Green	Start	Specify
FXCS-2B13-O-M	FXCS-5B13-O-M	3/4"						
FXCS-1B13-U-M	FXCS-4B13-U-M	1/2"		120V	Black	Red	Specify	Specify
FXCS-2B13-U-M	FXCS-5B13-U-M	3/4"						

SEAL-XM MAINTAINED CONTACT PUSH/PULL MUSHROOM

CATALOG NUMBER		HUB SIZE	DIAGRAM	BUTTON COLOR	LEGEND PLATE MARKING
BOX & COVER					
DEAD-END	FEED-THRU				
FXCS-1MMG3-M	FXCS-4MMG3-M	1/2"		Green	Start
FXCS-2MMG3-M	FXCS-5MMG3-M	3/4"			
FXCS-1MMR3-M	FXCS-4MMR3-M	1/2"		Red	Stop
FXCS-2MMR3-M	FXCS-5MMR3-M	3/4"			
FXCS-1MMK3-M	FXCS-4MMK3-M	1/2"		Black	Specify
FXCS-2MMK3-M	FXCS-5MMK3-M	3/4"			



FACTORY SEALED CONTROL STATIONS



Two Position Selector Switch



Three Position Selector Switch

SEAL-XM TWO POSITION SELECTOR SWITCH - MAINTAINED CONTACT

CATALOG NUMBER BOX & COVER		HUB SIZE	LEFT POSITION	RIGHT POSITION	STANDARD NAMEPLATE MARKINGS
DEAD-END	FEED-THRU				
FXCS-1S2A1-M	FXCS-4S2A1-M	1/2"			BLANK & OFF-ON
FXCS-2S2A1-M	FXCS-5S2A1-M	3/4"			
FXCS-1S2A5-M	FXCS-4S2A5-M	1/2"			
FXCS-2S2A5-M	FXCS-5S2A5-M	3/4"			

SEAL-XM THREE POSITION SELECTOR SWITCH - MAINTAINED CONTACT

CATALOG NUMBER BOX & COVER		HUB SIZE	LEFT POSITION	CENTER POSITION	RIGHT POSITION	STANDARD NAMEPLATE MARKINGS
DEAD-END	FEED-THRU					
FXCS-1S3C4-M	FXCS-4S3C4-M	1/2"				BLANK or HAND-OFF-AUTO
FXCS-2S3C4-M	FXCS-5S3C4-M	3/4"				
FXCS-1S3C5-M	FXCS-4S3C5-M	1/2"				
FXCS-2S3C5-M	FXCS-5S3C5-M	3/4"				

SEAL-XM TWO POSITION SELECTOR SWITCH - SPRING RETURN

CATALOG NUMBER BOX & COVER		HUB SIZE	LEFT POSITION	RIGHT POSITION	STANDARD NAMEPLATE MARKINGS
DEAD-END	FEED-THRU				
FXCS-1S2L3F-M	FXCS-4S2L3F-M	1/2"			BLANK & OFF-ON
FXCS-2S2L3F-M	FXCS-5S2L3F-M	3/4"			

SELECTOR SWITCH OPERATION - SPRING RETURN TO LEFT FROM RIGHT - MAINTAINED IN LEFT.

SEAL-XM THREE POSITION SELECTOR SWITCH - SPRING RETURN

CATALOG NUMBER BOX & COVER		HUB SIZE	LEFT POSITION	CENTER POSITION	RIGHT POSITION	STANDARD NAMEPLATE MARKINGS
DEAD-END	FEED-THRU					
FXCS-1S3M6G-M	FXCS-4S3M6G-M	1/2"				BLANK or HAND-OFF-AUTO
FXCS-2S3M6G-M	FXCS-5S3M6G-M	3/4"				
SPRING RETURN TO CENTER FROM LEFT AND RIGHT - MAINTAINED CENTER						
FXCS-1S3L6G-M	FXCS-4S3L6G-M	1/2"				BLANK or HAND-OFF-AUTO
FXCS-2S3L6G-M	FXCS-5S3L6G-M	3/4"				
SPRING RETURN TO CENTER FROM RIGHT - MAINTAINED CENTER AND LEFT						
FXCS-1S3R6G-M	FXCS-4S3R6G-M	1/2"				BLANK or HAND-OFF-AUTO
FXCS-2S3R6G-M	FXCS-5S3R6G-M	3/4"				
SPRING RETURN TO CENTER FROM LEFT - MAINTAINED CENTER AND RIGHT						



CONTROLS
SEAL-XM™ SERIES

FACTORY SEALED CONTROL STATIONS



Keyed Selector Switch

SEAL-XM TWO POSITION KEYED SELECTOR SWITCH - MAINTAINED CONTACT					
CATALOG NUMBER BOX & COVER		HUB SIZE	LEFT POSITION	RIGHT POSITION	STANDARD NAMEPLATE MARKINGS
DEAD-END	FEED-THRU				
FXCS-1K2A1-M	FXCS-4K2A1-M	1/2"			BLANK & OFF-ON
FXCS-2K2A1-M	FXCS-5K2A1-M	3/4"			
FXCS-1K2A5-M	FXCS-4K2A5-M	1/2"			
FXCS-2K2A5-M	FXCS-5K2A5-M	3/4"			

SEAL-XM THREE POSITION KEYED SELECTOR SWITCH - MAINTAINED CONTACT						
CATALOG NUMBER BOX & COVER		HUB SIZE	LEFT POSITION	CENTER POSITION	RIGHT POSITION	STANDARD NAMEPLATE MARKINGS
DEAD-END	FEED-THRU					
FXCS-1K3C4-M	FXCS-4K3C4-M	1/2"				BLANK or HAND-OFF-AUTO
FXCS-2K3C4-M	FXCS-5K3C4-M	3/4"				
FXCS-1K3C5-M	FXCS-4K3C5-M	1/2"				
FXCS-2K3C5-M	FXCS-5K3C5-M	3/4"				

SEAL-XM TWO POSITION KEYED SELECTOR SWITCH - SPRING RETURN					
CATALOG NUMBER BOX & COVER		HUB SIZE	LEFT POSITION	RIGHT POSITION	STANDARD NAMEPLATE MARKINGS
DEAD-END	FEED-THRU				
FXCS-1K2L3F22D-M	FXCS-4K2L3F22D-M	1/2"			BLANK & OFF-ON
FXCS-2K2L3F22D-M	FXCS-5K2L3F22D-M	3/4"			

SELECTOR SWITCH OPERATION - SPRING RETURN TO LEFT FROM RIGHT - MAINTAINED IN LEFT.

SEAL-XM THREE POSITION KEYED SELECTOR SWITCH - SPRING RETURN						
CATALOG NUMBER BOX & COVER		HUB SIZE	LEFT POSITION	CENTER POSITION	RIGHT POSITION	STANDARD NAMEPLATE MARKINGS
DEAD-END	FEED-THRU					
FXCS-1K3M6G32D-M	FXCS-4K3M6G32D-M	1/2"				BLANK or HAND-OFF-AUTO
FXCS-2K3M6G32D-M	FXCS-5K3M6G32D-M	3/4"				

SELECTOR SWITCH - OPERATION - SPRING RETURN TO CENTER FROM LEFT AND RIGHT - MAINTAINED IN CENTER

FXCS-1K3L6G32D-M	FXCS-4K3L6G32D-M	1/2"				BLANK or HAND-OFF-AUTO
FXCS-2K3L6G32D-M	FXCS-5K3L6G32D-M	3/4"				

SELECTOR SWITCH - OPERATION - SPRING RETURN TO CENTER FROM RIGHT - MAINTAINED CENTER AND LEFT

FXCS-1K3R6G32D-M	FXCS-4K3R6G32D-M	1/2"				BLANK or HAND-OFF-AUTO
FXCS-2K3R6G32D-M	FXCS-5K3R6G32D-M	3/4"				

SELECTOR SWITCH - OPERATION - SPRING RETURN TO CENTER FROM LEFT - MAINTAINED CENTER AND RIGHT



FACTORY SEALED CONTROL STATIONS



Class I, Div. 1 & 2, Groups C,D
Class I, Zones 1 & 2, Groups IIB, IIA
Class II, Div. 1 & 2, Groups E,F,G
Class III
Type 3

LISTED - File E53360 and/or E12379

Certified - File LR11714

FEATURES-SPECIFICATIONS

Features

- **Factory Sealed** devices eliminate the need for external sealing. The difference is the use of a sealing plate between the arcing device and the junction box. The sealing plate confines ignited gases, vapors, flames, or dust to the arcing device chamber, preventing them from traveling through the conduit system. Factory poured seals around the wiring pigtails insure safe sealing.
- Lower installation cost
- Type 3 weatherproof
- Color coded wiring-more wiring space-easier field installation
- Lockout accessory available; must be factory installed.
- Ground boss for grounding in the splice box
- Cast conduit hubs 1/2", 3/4" and 1" either dead end or feed through standard in both single and two gang assemblies
- Miniature and standard size push buttons. (Miniature 3/4" overall diameter, standard 1 3/8" overall diameter)
- Key operated selector switches are randomly keyed with keys removable in all positions. Keyed alike or key removable in non-standard positions available from factory.

Materials

- Stainless steel captive screws for cover assembly
- Device bodies and covers are cast copper-free aluminum alloy
- Push button, selector switches and pilot light bodies are copper-free aluminum
- Operating shaft in both push buttons and selector switches are stainless steel

Electrical Rating

Push button stations, selector switches
 600 VAC max. heavy duty.

Pilot Light Electrical Ratings:
 250 VAC max.

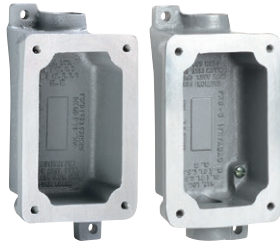
CONTACT BLOCK RATINGS – A600				
CURRENT	120 VAC	240 VAC	480 VAC	600 VAC
INRUSH	60	30	15	12
BREAKING	6	3	1.5	1.2
CARRYING	10	10	10	10

DC RATINGS (MAX. AMPS) – P600		
CURRENT	125 VDC	250 VDC
INRUSH	.55	.27
BREAKING	.55	.27
CARRYING	2.55	2.55



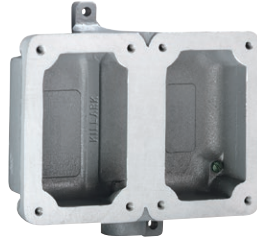
CONTROLS FXB SERIES

FACTORY SEALED SPLICE BOXES SEALING METHODS

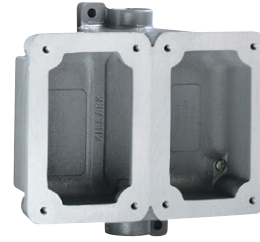


FXB-2
Dead End

FXB-5
Feed Thru



FXB-8
Double Gang Dead End



FXB-11
Double Gang Feed Thru

Splice Boxes

The FXB Series of splice boxes are designed for use with the FXCS and FXS Series of cover sub-assemblies.

FXB BACK BOX SELECTION AND DIMENSIONS							
CATALOG NUMBER	DESCRIPTION	HUB SIZE	EXTERNAL			MOUNTING	
			LENGTH	WIDTH	DEPTH	VERTICAL	HORIZONTAL
FXB-1	Single gang/Dead-end	1/2"	6-13/16"	3-11/16"	1-3/4"	6-3/16"	2-1/4"
FXB-2	Single gang/Dead-end	3/4"	6-13/16"	3-11/16"	1-3/4"	6-3/16"	2-1/4"
FXB-3	Single gang/Dead-end	1"	6-13/16"	3-11/16"	1-3/4"	6-3/16"	2-1/4"
FXB-4	Single gang/Feed-thru	1/2"	6-13/16"	3-11/16"	1-3/4"	6-3/16"	2-1/4"
FXB-5	Single gang/Feed-thru	3/4"	6-13/16"	3-11/16"	1-3/4"	6-3/16"	2-1/4"
FXB-6	Single gang/Feed-thru	1"	6-13/16"	3-11/16"	1-3/4"	6-3/16"	2-1/4"
FXB-7	Double gang/Dead-end	1/2"	6-13/16"	7-17/32"	2	6-3/16"	2-1/4"
FXB-8	Double gang/Dead-end	3/4"	6-13/16"	7-17/32"	2	6-3/16"	2-1/4"
FXB-9	Double gang/Dead-end	1"	7	7-17/32"	2	6-3/16"	2-1/4"
FXB-10	Double gang/Feed-thru	1/2"	6-13/16"	7-17/32"	2	6-3/16"	2-1/4"
FXB-11	Double gang/Feed-thru	3/4"	6-13/16"	7-17/32"	2	6-3/16"	2-1/4"
FXB-12	Double gang/Feed-thru	1"	7	7-17/32"	2	6-3/16"	2-1/4"

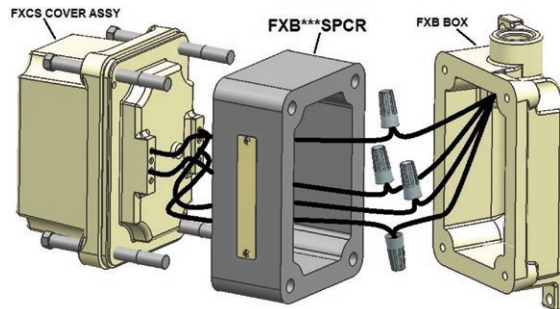
FXB BLANK COVER	
CATALOG NUMBER	DESCRIPTION
FX-10	BLANK COVER FOR FXB



Certified File No. LR11714

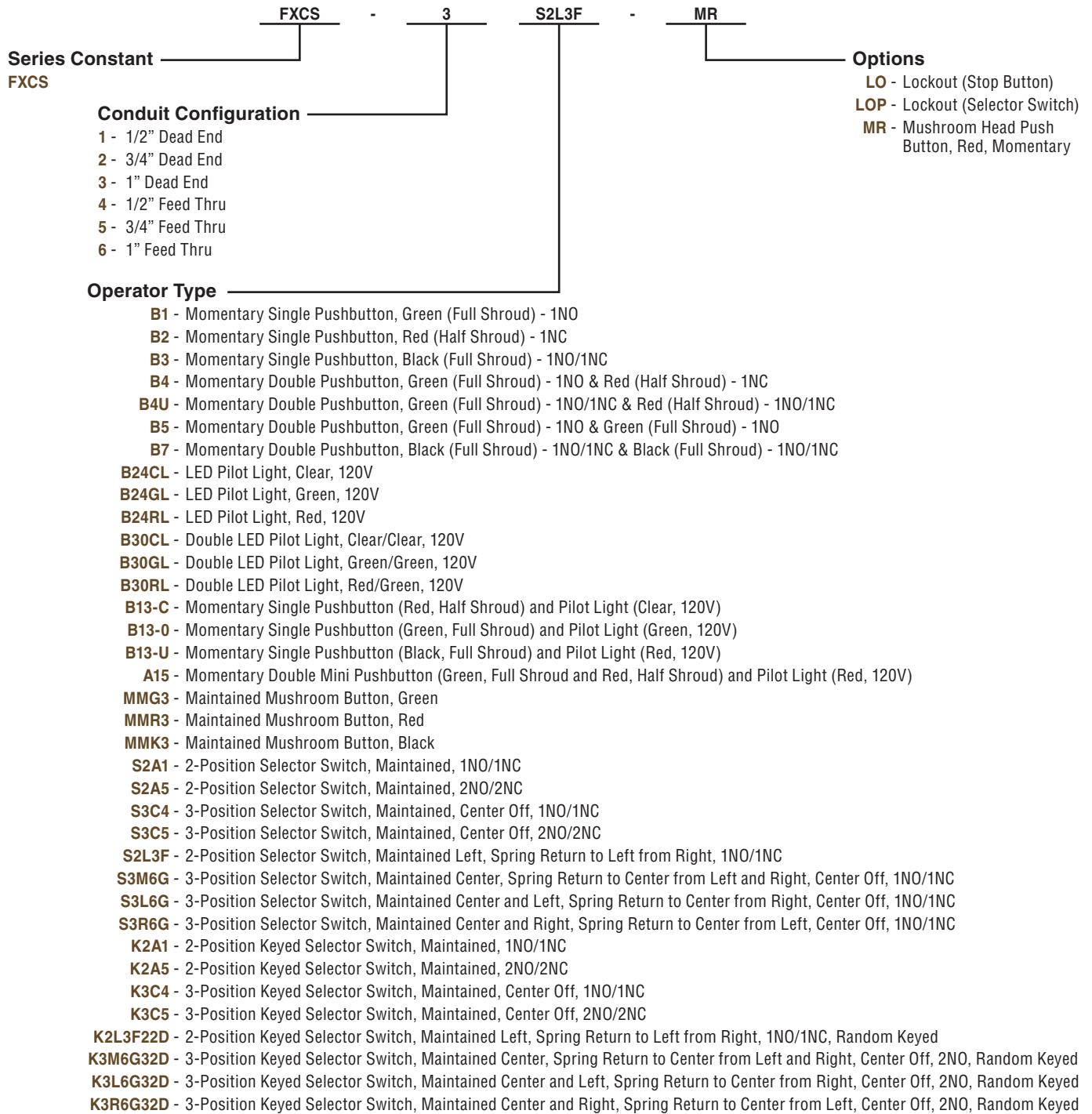
US LISTED File Number E53360

FXB SPACER	
CATALOG NUMBER	DESCRIPTION
FXB075SPCR	SPACER, 3/4" ADDITIONAL DEPTH
FXB10SPCR	SPACER, 1" ADDITIONAL DEPTH
FXB15SPCR	SPACER, 1 1/2" ADDITIONAL DEPTH
FXB20SPCR	SPACER, 2" ADDITIONAL DEPTH





FACTORY SEALED CONTROL STATIONS - CATALOG LOGIC





CONTROLS
FXCS SERIES

FACTORY SEALED CONTROL STATIONS

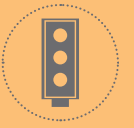


**2 Gang Box and
Two Cover Assemblies**

FXCS MOMENTARY CONTACT SINGLE PUSH BUTTON						
COVER WITH DEVICE	COMPLETE UNITS (BOX & COVER)		HUB SIZE	DIAGRAM	BUTTON COLOR	NAMEPLATE MARKING
	DEAD-END	FEED-THRU				
FXCS-0B1	FXCS-1B1	FXCS-4B1	1/2"		Green	Start
	FXCS-2B1	FXCS-5B1	3/4"			
FXCS-0B2	FXCS-1B2	FXCS-4B2	1/2"		Red	Stop
	FXCS-2B2	FXCS-5B2	3/4"			
FXCS-0B3	FXCS-1B3	FXCS-4B3	1/2"		Black	Specify
	FXCS-2B3	FXCS-5B3	3/4"			

FXCS MOMENTARY CONTACT DOUBLE PUSH BUTTON						
COVER WITH DEVICE	COMPLETE UNITS (BOX & COVER)		HUB SIZE	DIAGRAM	BUTTON COLOR	NAMEPLATE MARKING
	DEAD-END	FEED-THRU				
FXCS-0B4	FXCS-1B4	FXCS-4B4	1/2"		Green/Red	Start/Stop
	FXCS-2B4	FXCS-5B4	3/4"			
FXCS-0B4U	FXCS-1B4-U	FXCS-4B4-U	1/2"		Green/Red	Start/Stop
	FXCS-2B4-U	FXCS-5B4-U	3/4"			
FXCS-0B5	FXCS-1B5	FXCS-4B5	1/2"		Green/Green	Specify
	FXCS-2B5	FXCS-5B5	3/4"			
FXCS-0B7	FXCS-1B7	FXCS-4B7	1/2"		Black/Black	Specify
	FXCS-2B7	FXCS-5B7	3/4"			

FXCS PILOT LIGHT							
COVER WITH DEVICE	COMPLETE UNITS (BOX & COVER)		HUB SIZE	DIAGRAM	VOLT	LENS COLOR	NAMEPLATE MARKING
	DEAD-END	FEED-THRU					
FXCS-0B24CL	FXCS-1B24-CL	FXCS-4B24-CL	1/2"		120V	Clear	Specify
	FXCS-2B24-CL	FXCS-5B24-CL	3/4"				
FXCS-0B24GL	FXCS-1B24-GL	FXCS-4B24-GL	1/2"		120V	Green	Specify
	FXCS-2B24-GL	FXCS-5B24-GL	3/4"				
FXCS-0B24RL	FXCS-1B24-RL	FXCS-4B24-RL	1/2"		120V	Red	Specify
	FXCS-2B24-RL	FXCS-5B24-RL	3/4"				



FACTORY SEALED CONTROL STATIONS



Pilot Light and 2 Mini P.B.
(Box and Cover)



Double Pilot Lights
(Box and Cover)



Maintained Push Button
(Box and Cover)

FXCS DOUBLE PILOT LIGHTS

COVER WITH DEVICE	COMPLETE UNITS (BOX & COVER)		HUB SIZE	DIAGRAM	LAMP VOLTS	LENS COLOR	NAMEPLATE MARKING	
	DEAD-END	FEED-THRU					BUTTON	LENS
FXCS-0B30CL	FXCS-1B30-CL	FXCS-4B30-CL	1/2"		120V	Clear	Specify	Specify
	FXCS-2B30-CL	FXCS-5B30-CL	3/4"					
FXCS-0B30GL	FXCS-1B30-GL	FXCS-4B30-GL	1/2"		120V	Green	Specify	Specify
	FXCS-2B30-GL	FXCS-5B30-GL	3/4"					
FXCS-0B30RL	FXCS-1B30-RL	FXCS-4B30-RL	1/2"		120V	Red	Specify	Specify
	FXCS-2B30-RL	FXCS-5B30-RL	3/4"					
FXCS-0B30RL-GL	FXCS-1B30RL-GL	FXCS-4B30RL-GL	1/2"		120V	Red/Green	Specify	Specify
	FXCS-2B30RL-GL	FXCS-5B30RL-GL	3/4"					

FXCS MOMENTARY CONTACT PUSH BUTTON AND PILOT LIGHT

COVER WITH DEVICE	COMPLETE UNITS (BOX & COVER)		HUB SIZE	DIAGRAM	LAMP VOLTS	BUTTON COLOR	LENS COLOR	NAMEPLATE MARKING	
	DEAD-END	FEED-THRU						BUTTON	LENS
FXCS-0B13-C	FXCS-1B13-C	FXCS-4B13-C	1/2"		120V	Red	Clear	Stop	Specify
	FXCS-2B13-C	FXCS-5B13-C	3/4"						
FXCS-0B13-0	FXCS-1B13-0	FXCS-4B13-0	1/2"		120V	Green	Green	Start	Specify
	FXCS-2B13-0	FXCS-5B13-0	3/4"						
FXCS-0B13-U	FXCS-1B13-U	FXCS-4B13-U	1/2"		120V	Black	Red	Specify	Specify
	FXCS-2B13-U	FXCS-5B13-U	3/4"						

FXCS MOMENTARY CONTACT 2 MINI PUSH BUTTON AND 1 PILOT LIGHT

COVER WITH DEVICE	COMPLETE UNITS (BOX & COVER)		HUB SIZE	DIAGRAM	BUTTON COLOR	LENS COLOR	NAMEPLATE MARKING	
	DEAD-END	FEED-THRU					BUTTON	LENS
FXCS-0A15	FXCS-1A15	FXCS-4A15	1/2"		Red/Green	Red	Stop Start	Specify
	FXCS-2A15	FXCS-5A15	3/4"					

FXCS MAINTAINED CONTACT - PUSH/PULL MUSHROOM

COVER ASSEMBLY CAT. #	CATALOG # WITH LOCKOUT #	CONTACT TYPE	BUTTON COLOR	NAMEPLATE MARKING
FXCS-OMMG3	FXCS-OMMR3-LOM	1NO/1NC	GREEN	Three nameplates supplied (START, STOP, and EMERG STOP).
FXCS-OMMR3		1NO/1NC	RED	
FXCS-OMMK3		1NO/1NC	BLACK	



CONTROLS FXCS SERIES

FACTORY SEALED CONTROL STATIONS



Selector Switch
(Box and Cover)



Keyed Selector Switch
(Box and Cover)

FXCS TWO POSITION SELECTOR SWITCH – MAINTAINED CONTACT

		CATALOG NUMBER				LEFT POSITION		RIGHT POSITION		STANDARD NAMEPLATE MARKINGS	
STANDARD COVER WITH DEVICE	HUB SIZE	STANDARD COMPLETE UNITS (BOX & COVER)		KEYED COVER WITH DEVICE	KEYED COMPLETE UNITS ² (BOX & COVER)		LEFT CONTACT	RIGHT CONTACT	LEFT CONTACT		RIGHT CONTACT
		DEAD-END	FEED-THRU		DEAD-END	FEED-THRU					
FXCS-0S2A1	1/2"	FXCS-1S2A1	FXCS-4S2A1	FXCS-0K2A1	FXCS-1K2A1	FXCS-4K2A1					BLANK or OFF-ON
	3/4"	FXCS-2S2A1	FXCS-5S2A1		FXCS-2K2A1	FXCS-5K2A1					
FXCS-0S2A5	1/2"	FXCS-1S2A5	FXCS-4S2A5	FXCS-0K2A5	FXCS-1K2A5	FXCS-4K2A5					
	3/4"	FXCS-2S2A5	FXCS-5S2A5		FXCS-2K2A5	FXCS-5K2A5					

FXCS THREE POSITION SELECTOR SWITCH – MAINTAINED CONTACT

		CATALOG NUMBER				LEFT POSITION		CENTER POSITION		RIGHT POSITION		STANDARD NAMEPLATE MARKINGS	
STANDARD COVER WITH DEVICE	HUB SIZE	STANDARD COMPLETE UNITS (BOX & COVER)		KEYED COVER WITH DEVICE	KEYED COMPLETE UNITS ² (BOX & COVER)		LEFT CONTACT	RIGHT CONTACT	LEFT CONTACT	RIGHT CONTACT	LEFT CONTACT		RIGHT CONTACT
		DEAD-END	FEED-THRU		DEAD-END	FEED-THRU							
FXCS-0S3C4	1/2"	FXCS-1S3C4	FXCS-4S3C4	FXCS-0K3C4	FXCS-1K3C4	FXCS-4K3C4							BLANK or HAND-OFF-AUTO
	3/4"	FXCS-2S3C4	FXCS-5S3C4		FXCS-2K3C4	FXCS-5K3C4							
FXCS-0S3C5	1/2"	FXCS-1S3C5	FXCS-4S3C5	FXCS-0K3C5	FXCS-1K3C5	FXCS-4K3C5							
	3/4"	FXCS-2S3C5	FXCS-5S3C5		FXCS-2K3C5	FXCS-5K3C5							

FXCS TWO POSITION SELECTOR SWITCH – SPRING RETURNED – 1 N.O./1 N.C.

		CATALOG NUMBER				LEFT POSITION		RIGHT POSITION		STANDARD NAMEPLATE MARKINGS	
STANDARD COVER WITH DEVICE	HUB SIZE	STANDARD COMPLETE UNITS (BOX & COVER)		KEYED COVER WITH DEVICE	KEYED COMPLETE UNITS ² (BOX & COVER)		LEFT CONTACT	RIGHT CONTACT	LEFT CONTACT		RIGHT CONTACT
		DEAD-END	FEED-THRU		DEAD-END	FEED-THRU					
FXCS-0S2L3F	1/2"	FXCS-1S2L3F	FXCS-4S2L3F	FXCS-0K2L3F22D	FXCS-1K2L3F22D	FXCS-4K2L3F22D					BLANK or OFF-ON
	3/4"	FXCS-2S2L3F	FXCS-5S2L3F		FXCS-2K2L3F22D	FXCS-5K2L3F22D					
TYPE OPERATION – Spring return to left from right – Maintained in left – 1 N.O. Contact – 1 N.C. Contact											

FXCS THREE POSITION SELECTOR SWITCH – SPRING RETURNED – 2 N.O.

		CATALOG NUMBER				LEFT POSITION		CENTER POSITION		RIGHT POSITION		STANDARD NAMEPLATE MARKINGS	
STANDARD COVER WITH DEVICE	HUB SIZE	STANDARD COMPLETE UNITS (BOX & COVER)		KEYED COVER WITH DEVICE	KEYED COMPLETE UNITS ² (BOX & COVER)		LEFT CONTACT	RIGHT CONTACT	LEFT CONTACT	RIGHT CONTACT	LEFT CONTACT		RIGHT CONTACT
		DEAD-END	FEED-THRU		DEAD-END	FEED-THRU							
FXCS-0S3M6G	1/2"	FXCS-1S3M6G	FXCS-4S3M6G	FXCS-0K3M6G32D	FXCS-1K3M6G32D	FXCS-4K3M6G32D							BLANK or HAND-OFF-AUTO
	3/4"	FXCS-2S3M6G	FXCS-5S3M6G		FXCS-2K3M6G32D	FXCS-5K3M6G32D							
FXCS-0S3L6G	1/2"	FXCS-1S3L6G	FXCS-4S3L6G	FXCS-0K3L6G32D	FXCS-1K3L6G32D	FXCS-4K3L6G32D							
	3/4"	FXCS-2S3L6G	FXCS-5S3L6G		FXCS-2K3L6G32D	FXCS-5K3L6G32D							
FXCS-0S3R6G	1/2"	FXCS-1S3R6G	FXCS-4S3R6G	FXCS-0K3R6G32D	FXCS-1K3R6G32D	FXCS-4K3R6G32D							BLANK or HAND-OFF-AUTO
	3/4"	FXCS-2S3R6G	FXCS-5S3R6G		FXCS-2K3R6G32D	FXCS-5K3R6G32D							
TYPE OPERATION – Spring return to center from left – Maintained center and right 2 N.O. Contacts													



FACTORY SEALED TUMBLER SWITCHES AND GROUND FAULT INTERRUPTER



**Tumbler Switch
Complete Unit
(Box and Cover)**



**Ground Fault Interrupter
Complete Unit
(Box and Cover)**



**UGRGF Series GFI
Control Station with
UGR Receptacle**

**Class I, Div. 1 & 2, Groups C, D
Class I, Zones 1 & 2, Groups IIB, IIA
Class II, Div. 1 & 2, Groups E, F, G
Class III
Type 3**

FXS Tumbler Switches

UL LISTED - File E53360 and/or File E10501

SP Certified - File LR11712

FXS Ground Fault Interrupters

UL LISTED - File E80595

SP Certified - File LR61895

FEATURES-SPECIFICATIONS

Features

- Test and Reset push buttons are provided on cover assembly. Unit should be tested monthly
- Compliant to UL943 GFCI standards
- Exterior gasket provides Type 3 weatherproof protection
- Ground boss for grounding in the splice box
- Color coded wiring
- Tumbler switch comes with capability to be locked out in OFF position as standard

Materials

- Captive cover bolts are made from stainless steel
- Device bodies are cast aluminum (less than 0.04 of 1% copper).

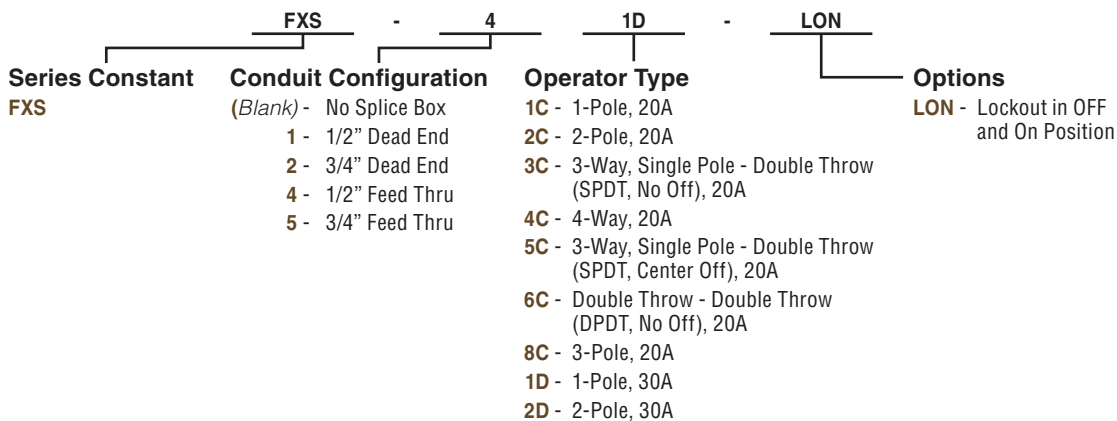
Electrical Rating

- GFI units are rated at 20A, 120 VAC, 60HZ. Class A.
- 4-6 milliamp trip setting
- Trip Time-UL Curve



CONTROLS
FXS SERIES

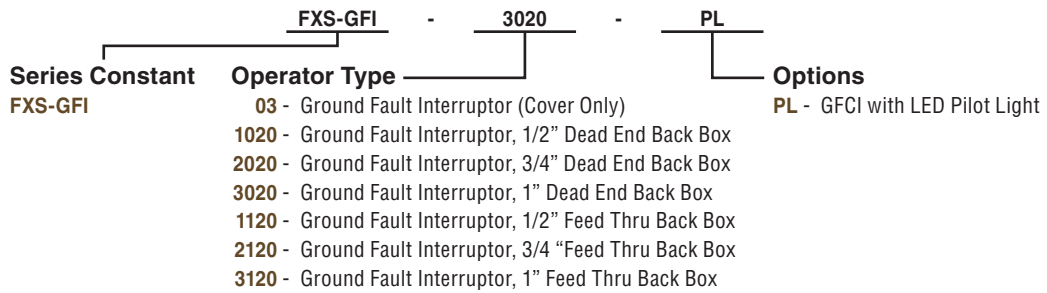
FACTORY SEALED TUMBLER SWITCHES - CATALOG LOGIC



FXS TUMBLER SWITCHES					
CATALOG NUMBER			HUB SIZE	SWITCH STYLE	SWITCH RATING
COMPLETE UNIT					
COVER WITH SWITCH	(BOX, COVER AND SWITCH)				
	DEAD-END	FEED-THRU			
FXS-1C	FXS-11C	FXS-41C	1/2"	1-POLE	20 A, 120/277 VAC, 1Ø; 1 HP at 120 VAC; 2 HP at 240 VAC
	FXS-21C	FXS-51C	3/4"		
FXS-2C	FXS-12C	FXS-42C	1/2"	2-POLE	20 A, 120/277 VAC, 1Ø; 1 HP at 120 VAC; 2 HP at 240 VAC
	FXS-22C	FXS-52C	3/4"		
FXS-8C	FXS-18C	FXS-48C	1/2"	3-POLE	15 A, 240/480 VAC, 3Ø; 3 HP at 240 VAC; 5 HP at 480 VAC
	FXS-28C	FXS-58C	3/4"		
FXS-3C	FXS-13C	FXS-43C	1/2"	3-WAY/ SPDT (NO OFF)	20 A, 120/277 VAC, 1Ø; 1 HP at 120 VAC; 2 HP at 240 VAC
	FXS-23C	FXS-53C	3/4"		
FXS-5C	FXS-15C	FXS-45C	1/2"	SPDT (CENTER OFF)	20 A, 120/277 VAC, 1Ø; 1 HP at 120 VAC; 2 HP at 240 VAC
	FXS-25C	FXS-55C	3/4"		
FXS-6C	FXS-16C	FXS-46C	1/2"	DPDT (NO OFF)	20 A, 120/277 VAC, 1Ø; 1 HP at 120 VAC; 2 HP at 240 VAC
	FXS-26C	FXS-56C	3/4"		
FXS-1D	FXS-11D	FXS-41D	1/2"	1-POLE	30 A, 120/277 VAC, 1Ø; 1 HP at 120 VAC; 2 HP at 240 VAC
	FXS-21D	FXS-51D	3/4"		
FXS-2D	FXS-12D	FXS-42D	1/2"	2-POLE	30 A, 120/277 VAC, 1Ø; 1 HP at 120 VAC; 2 HP at 240 VAC
	FXS-22D	FXS-52D	3/4"		
FXS-4C	—	—	—	4-WAY	20 A, 120/277 VAC, 1Ø; 1 HP at 120 VAC; 2 HP at 240 VAC



GROUND FAULT INTERRUPTER - CATALOG LOGIC



FXS GROUND FAULT INTERRUPTER				
CATALOG NUMBER			HUB SIZE	
COMPLETE UNIT	COVER ASSEMBLY	BACK BOX		
FXS-GFI-1020	FXS-GFI03	FXB-1	DEAD END	1/2"
FXS-GFI-2020		FXB-2		3/4"
FXS-GFI-3020		FXB-3		1"
FXS-GFI-1120		FXB-4	FEED THRU	1/2"
FXS-GFI-2120		FXB-5		3/4"
FXS-GFI-3120		FXB-6		1"



CONTROLS

XCS/XS/XST/SWB SERIES

CONTROL STATIONS EXTERNAL SEALING REQUIRED



Class I, Div. 1 & 2, Groups C, D
Class I, Zones 1 & 2, Groups IIB, IIA
Class II, Div. 1 & 2, Groups E, F, G
Class III

 LISTED - File E53360

 Certified - File LR11714, LR11712

FEATURES-SPECIFICATIONS

Features

- Cast conduit hubs 1/2", 3/4" and 1" either dead end or feed thru standard in both single and two gang, SWB-1 thru SWB-12 device bodies
- SWB-13 thru SWB-38 are designed for custom drilled and tapped conduit openings on all four sides and the back
- Ground flange joint between bolted cover and box provide required flame path
- Open space between gangs for easy wiring from one cover to another
- Miniature and standard size push buttons. (Miniature 3/4" overall diameter, standard 1-3/8" overall diameter.)
- Contact blocks are rated heavy duty, 600 VAC max
- Internal ground screw
- Key operated selector switches are randomly keyed with keys removable in all positions. Keyed alike or key removable in non-standard positions available from factory.

Materials

- Device bodies and covers are cast copperfree Aluminum alloy and provide a wide assortment for custom assemblies
- Push button, selector switches and pilot light operator bodies are copper-free aluminum
- Operating shaft in both push buttons and selector switches are stainless steel
- Gold Flashed Contacts on Contact Blocks

Electrical Rating

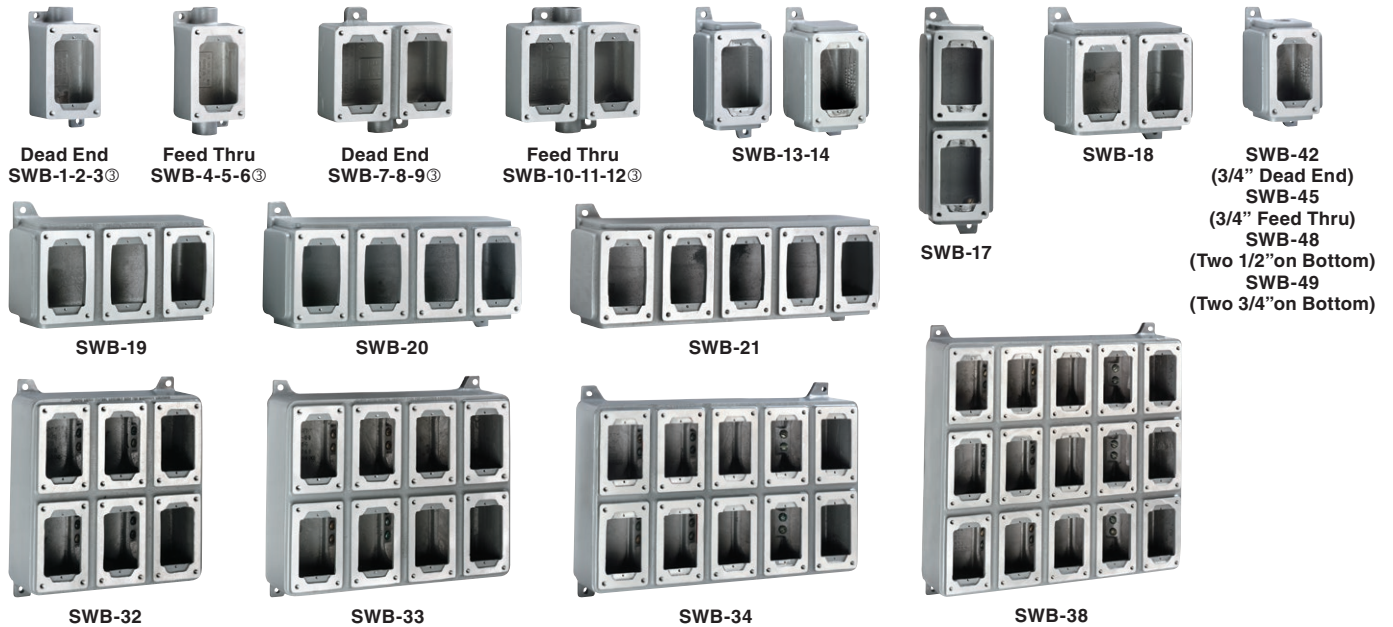
- Push button stations, selector switches heavy duty 600 VAC max.
- Pilot lights 250 VAC max.

CONTACT BLOCK RATINGS – A600				
CURRENT	120 VAC	240 VAC	480 VAC	600 VAC
INRUSH	60	30	15	12
BREAKING	6	3	1.5	1.2
CARRYING	10	10	10	10

DC RATINGS (MAX. AMPS) – P600		
CURRENT	125 VAC	250 VAC
INRUSH	55	.27
BREAKING	55	.27
CARRYING	2.55	2.55



DEVICE BODIES FOR USE WITH XCS / XS / XST COVER ASSEMBLIES



SWB DEVICE BODIES AND DIMENSIONS

CATALOG NUMBER	HUB SIZE	EXTERNAL			MOUNTING	
		LENGTH	WIDTH	DEPTH	VERTICAL	HORIZONTAL
SWB-1	1/2"	5-7/8"(149)	3"(76)	2-1/4"(57)	5-3/8"(137)	2-3/8"(60)
SWB-2	3/4"	5-7/8"(149)	3"(76)	2-1/4"(57)	5-3/8"(137)	2-3/8"(60)
SWB-3	1"	5-7/8"(149)	3"(76)	2-1/4"(57)	5-3/8"(137)	2-3/8"(60)
SWB-4	1/2"	5-7/8"(149)	3"(76)	2-1/4"(57)	5-3/8"(137)	2-3/8"(60)
SWB-5	3/4"	5-7/8"(149)	3"(76)	2-1/4"(57)	5-3/8"(137)	2-3/8"(60)
SWB-6	1"	5-7/8"(149)	3"(76)	2-1/4"(57)	5-3/8"(137)	2-3/8"(60)
SWB-7	1/2"	5-7/8"(149)	6-1/2"(165)	2-1/4"(57)	5-3/8"(137)	2-1/2"(64)
SWB-8	3/4"	5-7/8"(149)	6-1/2"(165)	2-1/4"(57)	5-3/8"(137)	2-1/2"(64)
SWB-9	1"	5-7/8"(149)	6-1/2"(165)	2-1/4"(57)	5-3/8"(137)	2-1/2"(64)
SWB-10	1/2"	5-7/8"(149)	6-1/2"(165)	2-1/4"(57)	5-3/8"(137)	2-1/2"(64)
SWB-11	3/4"	5-7/8"(149)	6-1/2"(165)	2-1/4"(57)	5-3/8"(137)	2-1/2"(64)
SWB-12	1"	5-7/8"(149)	6-1/2"(165)	2-1/4"(57)	5-3/8"(137)	2-1/2"(64)
SWB-13	①	5-1/4"(133)	3-5/8"(92)	2-1/2"(64)	6-1/8"(156)	2-3/8"(60)
SWB-14	②	5-1/4"(133)	3-5/8"(92)	3-5/16"(84)	6-1/8"(156)	2-3/8"(60)
SWB-17	①	10-3/8"(264)	3-5/8"(92)	2-1/2"(64)	11-3/8"(289)	2-1/8"(54)
SWB-18	②	5-1/4"(133)	7-1/8"(181)	3-5/16"(84)	6"(152)	5-3/4"(146)
SWB-19	②	5-1/4"(133)	10-5/8"(270)	3-5/16"(84)	6"(152)	9-3/16"(233)
SWB-20	②	5-1/4"(133)	14-1/8"(359)	3-5/16"(84)	6"(152)	12-11/16"(322)
SWB-21	②	5-1/4"(133)	17-5/8"(448)	3-5/16"(84)	6"(152)	16-3/16"(411)
SWB-32	②	12"(305)	10-5/8"(270)	3-5/16"(84)	11-1/8"(283)	9-3/16"(233)
SWB-33	②	10-3/8"(264)	14-1/8"(359)	3-5/16"(84)	11-3/16"(284)	12-3/4"(324)
SWB-34	②	12"(305)	17-3/4"(451)	3-5/16"(84)	11-5/16"(287)	16-1/4"(413)
SWB-38	②	17-1/8"(435)	17-3/4"(451)	3-5/16"(84)	11-5/16"(287)	16-1/4"(413)
SWB-42	3/4"	5-1/4"(133)	3-5/8"(92)	3-5/16"(84)	6-1/8"(156)	2-3/8"(60)
SWB-45	3/4"	5-1/4"(133)	3-5/8"(92)	3-5/16"(84)	6-1/8"(156)	2-3/8"(60)
SWB-48	1/2" ②	5-1/4"(133)	3-5/8"(92)	3-5/16"(84)	6-1/8"(156)	2-3/8"(60)
SWB-49	3/4" ②	5-1/4"(133)	3-5/8"(92)	3-5/16"(84)	6-1/8"(156)	2-3/8"(60)

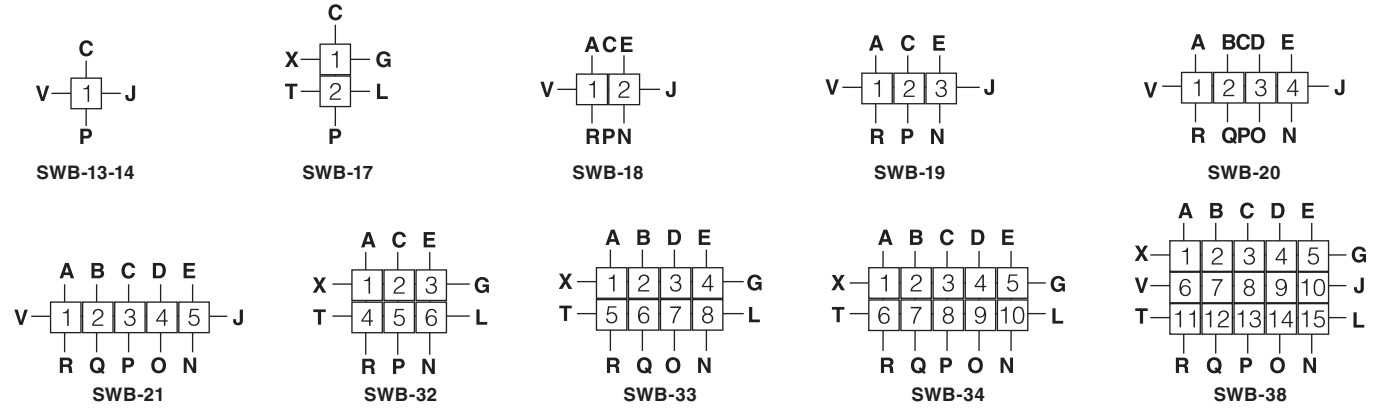
① Maximum size drilled and tapped opening 1" – Shallow device bodies.
 ② Maximum size drilled and tapped opening 1-1/2" – Deep device bodies.



CONTROLS SWB SERIES

CONDUIT OPENING DATA

CONDUIT OPENING LOCATION CHARTS



To specify conduit openings select the letter on these sketches which indicates the position desired. All conduit openings will be evenly spaced and located in the area indicated on the location chart. When they are to be more accurately located, submit a sketch with spacing dimensions. Specific conduit openings must be located dimensionally from box centerlines to conduit centerlines and from outside back surface of box to conduit centerline.

Ordering Instructions:

- (1) Select the letter on location chart which indicates conduit opening position desired.
- (2) Select symbol number from chart which indicates conduit opening type and size.
- (3) Combine the conduit location letter, size and type number, and add as a suffix to SWB box catalog number.

Example: **SWB-18-C1-J1-P1-V1**

SYMBOL NUMBERS		
CONDUIT SIZE	CONDUIT OPENINGS	
	DRILLED AND TAPPED	UNION
1/2"	1	11
3/4"	2	12
1"	3	13
1-1/4"	4	14
1-1/2"	5	15

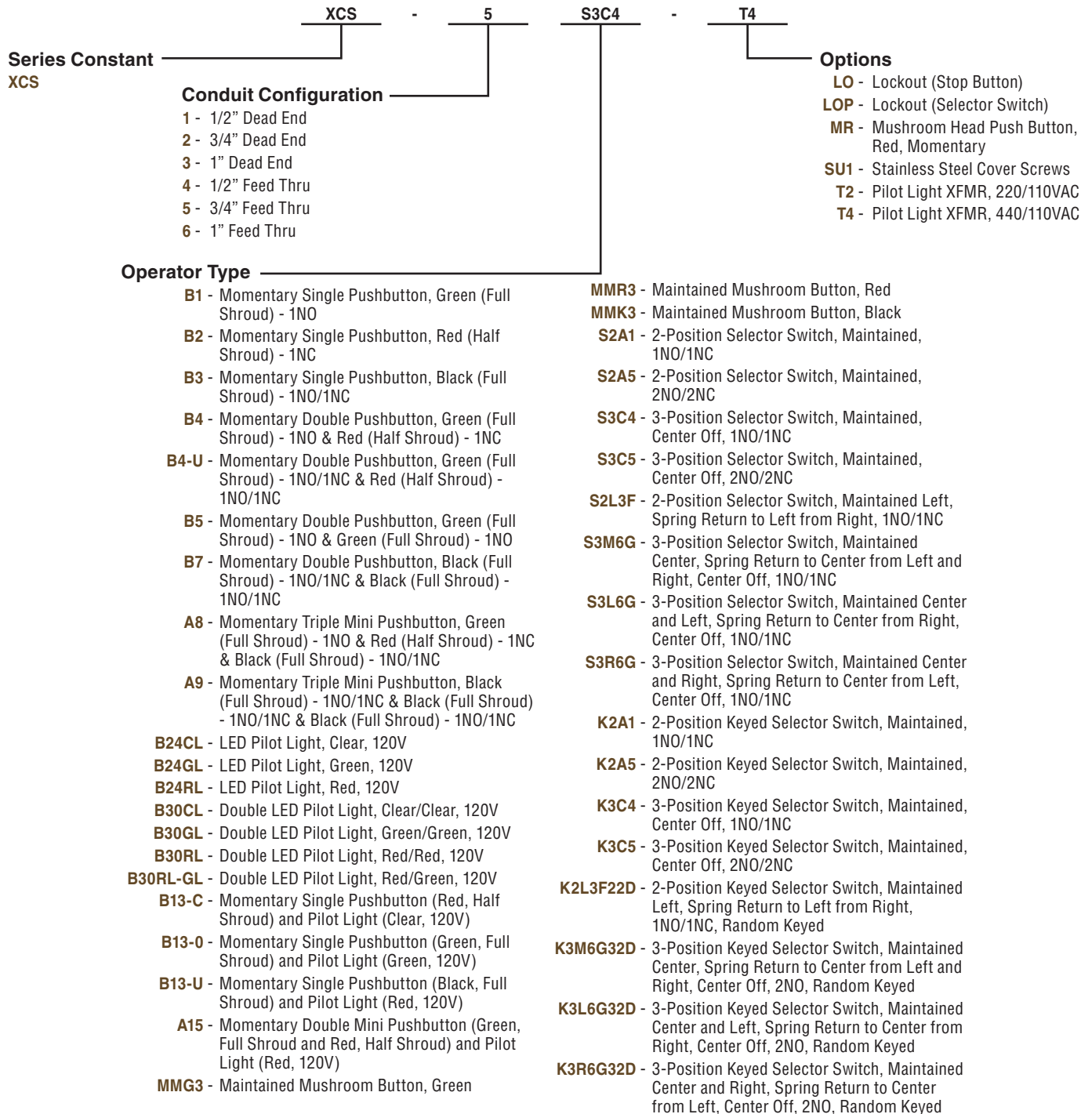
MINIMUM HUB CENTERS FOR DRILLED AND TAPPED AND UNION HUBS

SIZE	FORM	1/2"	3/4"	1"	1-1/4"	1-1/2"
1/2"	Min	1-3/16"(46)	—	—	—	—
1/2"	Pre	1-3/8"(35)	—	—	—	—
1/2"	Union	1-5/8"(41)	—	—	—	—
3/4"	Min	1-3/8"(35)	1-1/2"(38)	—	—	—
3/4"	Pre	1-1/2"(38)	1-5/8"(41)	—	—	—
3/4"	Union	1-3/4"(44)	1-13/16"(46)	—	—	—
1"	Min	1-1/2"(38)	1-3/4"(44)	1-13/16"(46)	—	—
1"	Pre	1-3/4"(44)	1-7/8"(48)	2"(51)	—	—
1"	Union	1-7/8"(48)	2"(51)	2-1/8"(54)	—	—
1-1/4"	Min	1-11/16"(43)	1-15/16"(49)	2-1/16"(52)	2-5/16"(59)	—
1-1/4"	Pre	1-15/16"(49)	2-1/16"(52)	2-1/4"(57)	2-1/2"(64)	—
1-1/4"	Union	2-1/16"(52)	2-1/4"(57)	2-5/16"(59)	2-1/2"(64)	—
1-1/2"	Min	1-15/16"(49)	2-1/16"(52)	2-3/16"(56)	2-1/2"(64)	2-5/8"(67)
1-1/2"	Pre	2-1/8"(54)	2-1/4"(57)	2-3/8"(60)	2-5/8"(67)	2-3/4"(70)
1-1/2"	Union	2-3/16"(56)	2-9/32"(58)	7/16"(11)	2-5/8"(67)	2-3/4"(70)
Locknut Bushing Conduit		1-1/8"(29)	1-3/8"(35)	1-11/16"(43)	2-3/16"(56)	2-7/16"(62)
Locknut Bushing Conduit		1"(25)	1-1/4"(32)	1-1/2"(38)	1-7/8"(48)	2-1/8"(54)
Locknut Bushing Conduit		7/8"(22)	1-1/16"(27)	1-3/8"(35)	1-11/16"(43)	1-15/16"(49)

Min: The minimum space required to provide enough clearance over locknuts and bushings.
Pre: The preferred more liberal center to center spacing of openings. To be used whenever possible.
Union: The required spacing between openings when using male NPT unions.



CONTROL STATION ASSEMBLIES - CATALOG LOGIC





CONTROLS XCS SERIES

CONTROL STATIONS EXTERNAL SEALING REQUIRED



Single Push Button
(Box and Cover)



Double Push Button
(Box and Cover)



Three Mini-Push Button
(Box and Cover)



Push-Pull Mushroom Maintained Push Button
(Box and Cover)

XCS MOMENTARY CONTACT SINGLE PUSH BUTTON

COVER WITH DEVICE	CATALOG NUMBER		HUB SIZE	DIAGRAM	BUTTON COLOR	NAMEPLATE MARKING
	COMPLETE UNITS (BOX & COVER)					
	DEAD-END	FEED-THRU				
XCS-0B1	XCS-1B1	XCS-4B1	1/2"		Green	Start
	XCS-2B1	XCS-5B1	3/4"			
XCS-0B2	XCS-1B2	XCS-4B2	1/2"		Red	Stop
	XCS-2B2	XCS-5B2	3/4"			
XCS-0B3	XCS-1B3	XCS-4B3	1/2"		Black	Specify
	XCS-2B3	XCS-5B3	3/4"			

XCS MOMENTARY CONTACT DOUBLE PUSH BUTTON

COVER WITH DEVICE	CATALOG NUMBER		HUB SIZE	DIAGRAM	BUTTON COLOR	NAMEPLATE MARKING
	COMPLETE UNITS (BOX & COVER)					
	DEAD-END	FEED-THRU				
XCS-0B4	XCS-1B4	XCS-4B4	1/2"		Green-Red	Start/Stop
	XCS-2B4	XCS-5B4	3/4"			
XCS-0B4-U	XCS-1B4-U	XCS-4B4-U	1/2"		Green-Red	Start/Stop
	XCS-2B4-U	XCS-5B4-U	3/4"			
XCS-0B5	XCS-1B5	XCS-4B5	1/2"		Green-Green	Start/Start
	XCS-2B5	XCS-5B5	3/4"			
XCS-0B7	XCS-1B7	XCS-4B7	1/2"		Black-Black	Specify
	XCS-2B7	XCS-5B7	3/4"			

XCS MOMENTARY CONTACT THREE MINI-PUSH BUTTON

COVER WITH DEVICE	CATALOG NUMBER		HUB SIZE	DIAGRAM	BUTTON COLOR	NAMEPLATE MARKING
	COMPLETE UNITS (BOX & COVER)					
	DEAD-END	FEED-THRU				
XCS-0A8	XCS-1A8	XCS-4A8	1/2"		Green-Red	Start/Stop
	XCS-2A8	XCS-5A8	3/4"			
XCS-0A9	XCS-1A9	XCS-4A9	1/2"		Black	Specify
	XCS-2A9	XCS-5A9	3/4"			

XCS MAINTAINED CONTACT PUSH PULL MUSHROOM PUSH BUTTON

CATALOG NUMBER (COVER WITH DEVICE)	DIAGRAM	BUTTON COLOR	NAMEPLATE MARKING
XCS-0MMG3		GREEN	Three nameplates supplied (START, STOP, and EMERG STOP).
XCS-0MMR3		RED	
XCS-0MMK3		BLACK	



CONTROL STATIONS EXTERNAL SEALING REQUIRED



Pilot Light
(Box and Cover)



Double
Pilot Light
(Box and Cover)



Pilot Light
Push Button
(Box and Cover)



Pilot Light
Two Mini Push Buttons
(Box and Cover)

XCS PILOT LIGHT

COVER WITH DEVICE	COMPLETE UNITS (BOX & COVER)		HUB SIZE	DIAGRAM	LAMP VOLTS	LENS COLOR	NAMEPLATE MARKING
	DEAD-END	FEED-THRU					
XCS-0B24-CL	XCS-1B24-CL	XCS-4B24-CL	1/2"		120V	Clear	Specify
	XCS-2B24-CL	XCS-5B24-CL	3/4"				
XCS-0B24-GL	XCS-1B24-GL	XCS-4B24-GL	1/2"		120V	Green	Specify
	XCS-2B24-GL	XCS-5B24-GL	3/4"				
XCS-0B24-RL	XCS-1B24-RL	XCS-4B24-RL	1/2"		120V	Red	Specify
	XCS-2B24-RL	XCS-5B24-RL	3/4"				

XCS DOUBLE PILOT LIGHT

COVER WITH DEVICE	COMPLETE UNITS (BOX & COVER)		HUB SIZE	DIAGRAM	LAMP VOLTS	LENS COLOR	NAMEPLATE MARKING
	DEAD-END	FEED-THRU					
XCS-0B30-CL	XCS-1B30-CL	XCS-4B30-CL	1/2"		120V	Clear	Specify
	XCS-2B30-CL	XCS-5B30-CL	3/4"				
XCS-0B30-GL	XCS-1B30-GL	XCS-4B30-GL	1/2"		120V	Green	Specify
	XCS-2B30-GL	XCS-5B30-GL	3/4"				
XCS-0B30-RL	XCS-1B30-RL	XCS-4B30-RL	1/2"		120V	Red	Specify
	XCS-2B30-RL	XCS-5B30-RL	3/4"				
XCS-0B30RL-GL	XCS-1B30RL-GL	XCS-4B30RL-GL	1/2"		120V	Red/Green	Specify
	XCS-2B30RL-GL	XCS-5B30RL-GL	3/4"				

XCS MOMENTARY CONTACT PUSH BUTTON AND PILOT LIGHT

COVER WITH DEVICE	COMPLETE UNITS (BOX & COVER)		HUB SIZE	DIAGRAM	BUTTON COLOR	LENS COLOR	NAMEPLATE MARKING	
	DEAD-END	FEED-THRU					BUTTON	LENS
XCS-0B13-C	XCS-1B13-C	XCS-4B13-C	1/2"		Red	Red	Stop	Specify
	XCS-2B13-C	XCS-5B13-C	3/4"					
XCS-0B13-0	XCS-1B13-0	XCS-4B13-0	1/2"		Green	Red	Start	Specify
	XCS-2B13-0	XCS-5B13-0	3/4"					
XCS-0B13-U	XCS-1B13-U	XCS-4B13-U	1/2"		Black	Red	Specify	Specify
	XCS-2B13-U	XCS-5B13-U	3/4"					

XCS MOMENTARY CONTACT TWO MINI PUSH BUTTONS AND PILOT LIGHT

COVER WITH DEVICE	COMPLETE UNITS (BOX & COVER)		HUB SIZE	DIAGRAM	BUTTON COLOR	LENS COLOR	NAMEPLATE MARKING	
	DEAD-END	FEED-THRU					BUTTON	LENS
XCS-0A15	XCS-1A15	XCS-4A15	1/2"		Red	Red	Stop	Specify
	XCS-2A15	XCS-5A15	3/4"					



CONTROLS
XCS SERIES

CONTROL STATIONS EXTERNAL SEALING REQUIRED



Selector Switch



Key Operated

XCS TWO POSITION SELECTOR SWITCH (MAINTAINED)

CATALOG NUMBER			HUB SIZE	TWO POSITION DIAGRAM				NAMEPLATE MARKING
COVER WITH DEVICE	COMPLETE UNITS (BOX & COVER)			LEFT POSITION		RIGHT POSITION		
	DEAD-END	FEED-THRU		LEFT BLOCKS	RIGHT BLOCKS	LEFT BLOCKS	RIGHT BLOCKS	
XCS-0S2A1	XCS-1S2A1	XCS-4S2A1	1/2"					OFF/ON
	XCS-2S2A1	XCS-5S2A1	3/4"					
XCS-0S2A5	XCS-42S2A5	XCS-45S2A5	3/4"					OFF/ON

XCS THREE POSITION SELECTOR SWITCH (MAINTAINED)

CATALOG NUMBER			HUB SIZE	THREE POSITION DIAGRAM						NAMEPLATE MARKING
COVER WITH DEVICE	COMPLETE UNITS (BOX & COVER)			LEFT POSITION		CENTER POSITION		RIGHT POSITION		
	DEAD-END	FEED-THRU		LEFT BLOCKS	RIGHT BLOCKS	LEFT BLOCKS	RIGHT BLOCKS	LEFT BLOCKS	RIGHT BLOCKS	
XCS-0S3C4	XCS-1S3C4	XCS-4S3C4	1/2"							HAND-OFF-AUTO
	XCS-2S3C4	XCS-5S3C4	3/4"							
XCS-0S3C5	XCS-42S3C5	XCS-45S3C5	3/4"							HAND-OFF-AUTO

XCS TWO POSITION KEY OPERATED SELECTOR SWITCH (MAINTAINED)

CATALOG NUMBER			HUB SIZE	TWO POSITION DIAGRAM				NAMEPLATE MARKING
COVER WITH DEVICE	COMPLETE UNITS (BOX & COVER)			LEFT POSITION		RIGHT POSITION		
	DEAD-END	FEED-THRU		LEFT BLOCKS	RIGHT BLOCKS	LEFT BLOCKS	RIGHT BLOCKS	
XCS-0K2A1	XCS-1K2A1	XCS-4K2A1	1/2"					OFF/ON
	XCS-2K2A1	XCS-5K2A1	3/4"					
XCS-0K2A5	XCS-42K2A5	XCS-45K2A5	3/4"					OFF/ON

XCS THREE POSITION KEY OPERATED SELECTOR SWITCH (MAINTAINED)

CATALOG NUMBER			HUB SIZE	THREE POSITION DIAGRAM						NAMEPLATE MARKING
COVER WITH DEVICE	COMPLETE UNITS (BOX & COVER)			LEFT POSITION		CENTER POSITION		RIGHT POSITION		
	DEAD-END	FEED-THRU		LEFT BLOCKS	RIGHT BLOCKS	LEFT BLOCKS	RIGHT BLOCKS	LEFT BLOCKS	RIGHT BLOCKS	
XCS-0K3C4	XCS-1K3C4	XCS-4K3C4	1/2"							HAND-OFF-AUTO
	XCS-2K3C4	XCS-5K3C4	3/4"							
XCS-0K3C5	XCS-42K3C5	XCS-45K3C5	3/4"							HAND-OFF-AUTO



CONTROL STATIONS EXTERNAL SEALING REQUIRED



Selector Switch

XCS SPRING RETURN SELECTOR SWITCH – TWO POSITION SPRING RETURN TO LEFT

CATALOG NUMBER			HUB SIZE	TWO POSITION DIAGRAM – 1N.O./1N.C.				NAMEPLATE MARKING
COVER WITH DEVICE	COMPLETE UNITS (BOX & COVER)			LEFT POSITION		RIGHT POSITION		
	DEAD-END	FEED-THRU		LEFT BLOCK	RIGHT BLOCK	LEFT BLOCK	RIGHT BLOCK	
XCS-0S2L3F	XCS-42S2L3F	XCS-45S2L3F	3/4"					OFF-ON

XCS SPRING RETURN SELECTOR SWITCH – THREE POSITION SPRING RETURN TO CENTER FROM RIGHT AND LEFT

CATALOG NUMBER			HUB SIZE	THREE POSITION DIAGRAM – 2 N.O.						NAMEPLATE MARKING
COVER WITH DEVICE	COMPLETE UNITS (BOX & COVER)			LEFT POSITION		CENTER POSITION		RIGHT POSITION		
	DEAD-END	FEED-THRU		LEFT BLOCK	RIGHT BLOCK	LEFT BLOCK	RIGHT BLOCK	LEFT BLOCK	RIGHT BLOCK	
XCS-0S3M6G	XCS-42S3M6G	XCS-45S3M6G	3/4"							HAND-OFF-AUTO

XCS SPRING RETURN SELECTOR SWITCH – THREE POSITION SPRING RETURN TO CENTER FROM RIGHT, MAINTAIN IN LEFT

CATALOG NUMBER			HUB SIZE	THREE POSITION DIAGRAM – 2 N.O.						NAMEPLATE MARKING
COVER WITH DEVICE	COMPLETE UNITS (BOX & COVER)			LEFT POSITION		CENTER POSITION		RIGHT POSITION		
	DEAD-END	FEED-THRU		LEFT BLOCK	RIGHT BLOCK	LEFT BLOCK	RIGHT BLOCK	LEFT BLOCK	RIGHT BLOCK	
XCS-0S3L6G	XCS-42S3L6G	XCS-45S3L6G	3/4"							HAND-OFF-AUTO

XCS SPRING RETURN SELECTOR SWITCH – THREE POSITION SPRING RETURN TO CENTER FROM LEFT, MAINTAIN IN RIGHT

CATALOG NUMBER			HUB SIZE	THREE POSITION DIAGRAM – 2 N.O.						NAMEPLATE MARKING
COVER WITH DEVICE	COMPLETE UNITS (BOX & COVER)			LEFT POSITION		CENTER POSITION		RIGHT POSITION		
	DEAD-END	FEED-THRU		LEFT BLOCK	RIGHT BLOCK	LEFT BLOCK	RIGHT BLOCK	LEFT BLOCK	RIGHT BLOCK	
XCS-0S3R6G	XCS-42S3R6G	XCS-45S3R6G	3/4"							HAND-OFF-AUTO



CONTROLS
XCS SERIES

CONTROL STATIONS EXTERNAL SEALING REQUIRED



Key Operated

XCS KEY OPERATED SPRING RETURN SELECTOR SWITCH – TWO POSITION SPRING RETURN TO LEFT								
CATALOG NUMBER			HUB SIZE	TWO POSITION DIAGRAM – 1 N.O./1 N.C.				NAMEPLATE MARKING
COVER WITH DEVICE	COMPLETE UNITS (BOX & COVER)			LEFT POSITION		RIGHT POSITION		
	DEAD-END	FEED-THRU		LEFT BLOCK	RIGHT BLOCK	LEFT BLOCK	RIGHT BLOCK	
XCS-0K2L3F22D	XCS-42K2L3F22D	XCS-45K2L3F22D	3/4"					OFF-ON

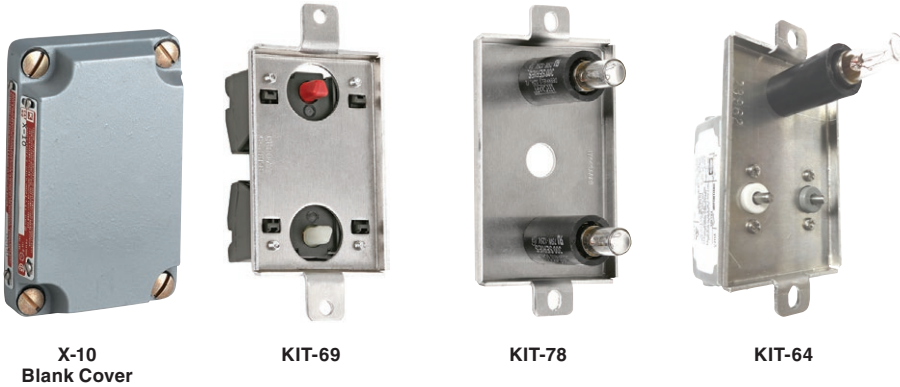
XCS KEY OPERATED SPRING RETURN SELECTOR SWITCH – THREE POSITION SPRING RETURN TO CENTER FROM RIGHT AND LEFT										
CATALOG NUMBER			HUB SIZE	THREE POSITION DIAGRAM – 2 N.O.						NAMEPLATE MARKING
COVER WITH DEVICE	COMPLETE UNITS (BOX & COVER)			LEFT POSITION		CENTER POSITION		RIGHT POSITION		
	DEAD-END	FEED-THRU		LEFT BLOCK	RIGHT BLOCK	LEFT BLOCK	RIGHT BLOCK	LEFT BLOCK	RIGHT BLOCK	
XCS-0K3M6G32D	XCS-42K3M6G32D	XCS-45K3M6G32D	3/4"							HAND-OFF-AUTO

XCS KEY OPERATED SPRING RETURN SELECTOR SWITCH – THREE POSITION SPRING RETURN TO CENTER FROM RIGHT, MAINTAIN IN LEFT										
CATALOG NUMBER			HUB SIZE	THREE POSITION DIAGRAM – 2 N.O.						NAMEPLATE MARKING
COVER WITH DEVICE	COMPLETE UNITS (BOX & COVER)			LEFT POSITION		CENTER POSITION		RIGHT POSITION		
	DEAD-END	FEED-THRU		LEFT BLOCK	RIGHT BLOCK	LEFT BLOCK	RIGHT BLOCK	LEFT BLOCK	RIGHT BLOCK	
XCS-0K3L6G32D	XCS-42K3L6G32D	XCS-45K3L6G32D	3/4"							HAND-OFF-AUTO

XCS KEY OPERATED SPRING RETURN SELECTOR SWITCH – THREE POSITION SPRING RETURN TO CENTER FROM LEFT, MAINTAIN IN RIGHT										
CATALOG NUMBER			HUB SIZE	THREE POSITION DIAGRAM – 2 N.O.						NAMEPLATE MARKING
COVER WITH DEVICE	COMPLETE UNITS (BOX & COVER)			LEFT POSITION		CENTER POSITION		RIGHT POSITION		
	DEAD-END	FEED-THRU		LEFT BLOCK	RIGHT BLOCK	LEFT BLOCK	RIGHT BLOCK	LEFT BLOCK	RIGHT BLOCK	
XCS-0K3R6G32D	XCS-42K3R6G32D	XCS-45K3R6G32D	3/4"							HAND-OFF-AUTO



BLANK ACCESSORIES / REPLACEMENT PARTS



**REPLACEMENT XCS COVER INTERIORS
SUPPLIED WITH MOUNTING HARDWARE**

KIT-62	Interior Device XCS-0A8
KIT-63	Interior Device XCS-0A9
KIT-64	Interior Device XCS-0A15
KIT-66	Interior Device XCS-0B1
KIT-67	Interior Device XCS-0B2
KIT-68	Interior Device XCS-0B3
KIT-69	Interior Device XCS-0B4
KIT-70	Interior Device XCS-0B5
KIT-72	Interior Device XCS-0B7
KIT-73	Interior Device XCS-0B13-C
KIT-74	Interior Device XCS-0B13-0
KIT-75	Interior Device XCS-0B13-U
KIT-76	Interior Device XCS-0B24
KIT-78	Interior Device XCS-0B30

X BLANK AND SPECIAL COVERS	
CAT. NO.	DESCRIPTION
X-10	Blank cover for SWB
X-60	Cover with (1) 3/4" NPSM Hole ^①
X-64	Cover with (2) 3/4" NPSM Holes ^{①②}

XS REPLACEMENT SWITCH ONLY	
CAT. NO.	DESCRIPTION
KIT-264	Replacement switch for XS-1C
KIT-266	Replacement switch for XS-2C
KIT-263	Replacement switch for XS-6C
KIT-265	Replacement switch for XS-8C

^① For Short length operators.
^② When X-64 cover is used, one operator must be a pilot light due to electrical clearances.

Kits supplied with contacts and lamp sockets mounted to strap for installation on SWB back box.



ACCESSORIES					
CATALOG NUMBER					DESCRIPTION
PUSH BUTTON ^① LOCKOUT	SELECTOR LOCKOUT	DUST/WEATHER CAP			
		RED	GREEN	BLACK	
XLOB	G0567-LOK	XDBR	XDBG	XDBB	Standard operator
XLOA	—	—	—	—	Miniature operator

^① Must be factory installed

CATALOG NUMBER GOMLOCK LOCKOUT FOR MAINTAINED PUSH BUTTON COVERS	
XCS-OMMR3	
FXCS-OMMR3, FXCS - *MMR3-M	


XCS REPLACEMENT COVER SCREWS	
CATALOG NUMBER	DESCRIPTION
00891896	4 Cover Screws
00891898	4 Cover Screws and 2 Strap Screws

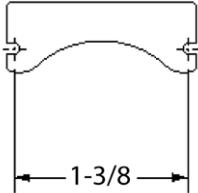


CONTROLS XCS SERIES

ACCESSORIES / REPLACEMENT PARTS

CUSTOM LEGEND PLATES (MOUNTING SCREWS INCLUDED)		
CATALOG NUMBER & DESCRIPTION		
PB & PL LEGEND PLATES	2 POS. SEL. SWT. LEGEND PLATES	3 POS. SEL. SWT. LEGEND PLATES
XCSNP-ON	XCSNP-ON-OFF	XCSNP-HAND-OFF-AUT
XCSNP-OFF	XCSNP-OFF-ON	XCSNP-AUT-OFF-HAND
XCSNP-START	XCSNP-OFF-REMOTE	XCSNP-HAND-OFF-REM
XCSNP-STOP	XCSNP-START-STOP	XCSNP-STP-RUN-STRT
XCSNP-ESTOP	XCSNP-UP-DOWN	XCSNP-FWD-OFF-REV
XCSNP-UP	XCSNP-RAISE-LOWER	XCSNP-REV-OFF-FWD
XCSNP-DOWN	XCSNP-HIGH-LOW	XCSNP-RUN-OFF-JOG
XCSNP-FAST	XCSNP-SLOW-FAST	XCSNP-JOG-OFF-RUN
XCSNP-SLOW	XCSNP-START-JOG	XCSNP-SLOW-OFF-FST
XCSNP-IN	XCSNP-RUN-JOG	XCSNP-LOW-OFF-HIGH
XCSNP-OUT	XCSNP-JOG-RUN	XCSNP-RAS-OFF-LOWR
XCSNP-RAISE	XCSNP-FWD-REV	XCSNP-LOCL-OFF-REM
XCSNP-LOWER	XCSNP-HAND-AUTO	XCSNP-1-OFF-2
XCSNP-HIGH	XCSNP-AUTO-HAND	XCSNP-UP-OFF-DOWN
XCSNP-LOW	XCSNP-MANUAL-AUTO	XCSNP-BLANK-3P*
XCSNP-OPEN	XCSNP-SLOW-FAST	
XCSNP-CLOSE	XCSNP-OPEN-CLOSE	
XCSNP-FORWARD	XCSNP-BLANK-2P*	
XCSNP-REVERSE		
XCSNP-READY		
XCSNP-RUN		
XCSNP-RESET		
XCSNP-JOG		
XCSNP-INCH		
XCSNP-TEST		
XCSNP-POWER-ON		
XCSNP-JOG-FORWARD		
XCSNP-JOG-REVERSE		
XCSNP-MOTOR-RUN		
XCSNP-MOTOR-STOP		
XCSNP-PUSH-TO-TEST		
XCSNP-BLANK*		





Drilling Instructions
(if holes not existing)
Drill #44(.086 Dia)
x 3/16 deep. Do not break
through cover.
Install with thread cutting
screws supplied.

* For special markings order blank legend plate and specify marking.



Finger Safe Contact Block



LED Lamps

PILOT LIGHT LED LAMPS (FOR GO SERIES OPERATORS AND XCS/ FXCS CONTROL STATIONS)

CATALOG NUMBER	VOLTS	COLOR
GOLED-A110	110 VAC/DC	Amber
GOLED-B110	110 VAC/DC	Blue
GOLED-G110	110 VAC/DC	Green
GOLED-R110	110 VAC/DC	Red
GOLED-W110	110 VAC/DC	White
GOLED-W24	24 VAC/DC	White
GOLED-W240	220/240 VAC	White

GO STANDARD CONTACT BLOCKS

CATALOG NUMBER	DESCRIPTION	COLOR CODE
GO-8673-BJK	1 N.O.	WHITE
GO-8673-BJJ	1 N.C.	RED
GO-8673-BJH	1 N.O. Early make	GREEN
GO-8673-BJE	1 N.C. Late break	YELLOW
GO-8673-BJKJ	1 N.O./1 N.C.	BLACK



TUMBLER SWITCH



XS-3C

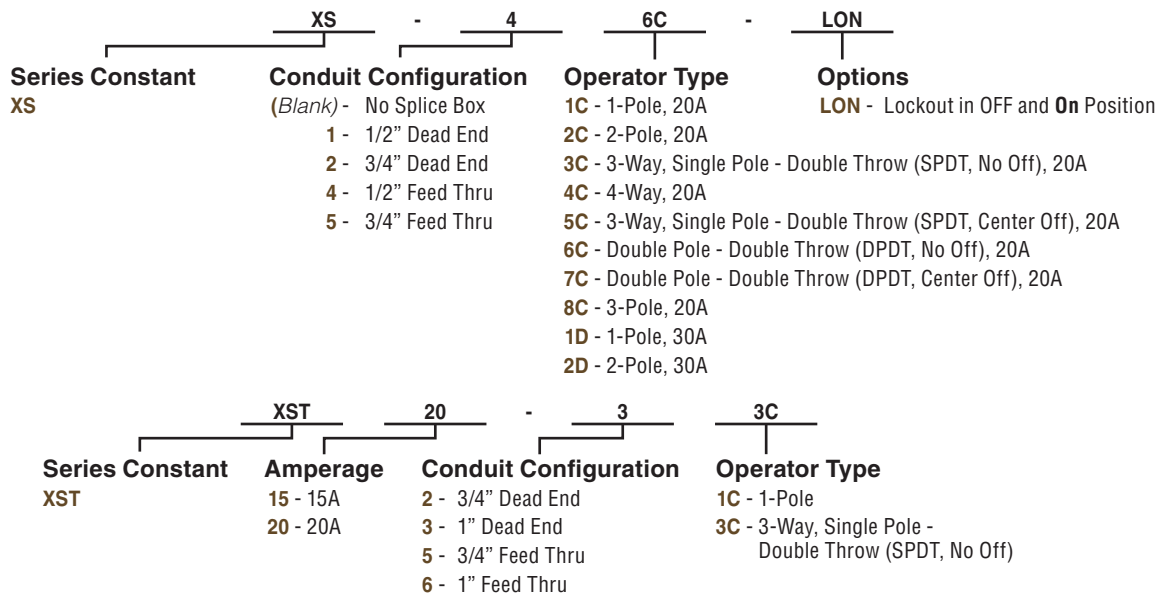


Complete Unit When Assembled

Class I, Div. 1 & 2, Groups C, D
Class I, Zones 1 & 2, Groups IIB, IIA
Class II, Div. 1 & 2, Groups E, F, G
Class III

LISTED - FILE E53360

Certified - File LR11712





CONTROLS
XS/XST SERIES

TUMBLER SWITCH

XS and XST Series are front lever rotary operated switch assemblies with standard provisions for padlocking in the "OFF" position. The lever is connected to a threaded stainless steel shaft which passes through the cover.

XS TUMBLER SWITCH						
CATALOG NUMBER					SWITCH STYLE	SWITCH RATING
COVER		HUB SIZE	COMPLETE UNITS (BOX, COVER AND SWITCH)			
WITH DEVICE	WITHOUT DEVICE		DEAD-END	FEED-THRU		
XS-1C	XNS-1C	1/2"	XS-11C	XS-41C	1-POLE	20 A, 120/277 VAC, 1Ø; 1 HP at 120 VAC; 2 HP at 240 VAC
		3/4"	XS-21C	XS-51C		
XS-2C	XNS-2C	1/2"	XS-12C	XS-42C	2-POLE	20 A, 120/277 VAC, 1Ø; 1 HP at 120 VAC; 2 HP at 240 VAC
		3/4"	XS-22C	XS-52C		
XS-8C	XNS-8C	1/2"	XS-18C	XS-48C	3-POLE	15 A, 240/480 VAC, 3Ø; 3 HP at 240 VAC; 5 HP at 480 VAC
		3/4"	XS-28C	XS-58C		
XS-3C	XNS-3C	1/2"	XS-13C	XS-43C	3-WAY/ SPDT NO CENTER OFF	20 A, 120/277 VAC, 1Ø; 1 HP at 120 VAC; 2 HP at 240 VAC
		3/4"	XS-23C	XS-53C		
XS-5C	XNS-5C	1/2"	XS-15C	XS-45C	SPDT CENTER OFF	20 A, 120/277 VAC, 1Ø; 1 HP at 120 VAC; 2 HP at 240 VAC
		3/4"	XS-25C	XS-55C		
XS-6C	XNS-6C	1/2"	XS-16C	XS-46C	DPDT NO CENTER OFF	20 A, 120/277 VAC, 1Ø; 1 HP at 120 VAC; 2 HP at 240 VAC
		3/4"	XS-26C	XS-56C		
XS-7C	XNS-7C	1/2"	XS-17C	XS-47C	DPDT CENTER OFF	20 A, 120/277 VAC, 1Ø; 1 HP at 120 VAC; 2 HP at 240 VAC
		3/4"	XS-27C	XS-57C		
XS-1D	XNS-1D	1/2"	XS-11D	XS-41D	1-POLE	30 A, 120/277 VAC, 1Ø; 1 HP at 120 VAC; 2 HP at 240 VAC
		3/4"	XS-21D	XS-51D		
XS-2D	XNS-2D	1/2"	XS-12D	XS-42D	2-POLE	30 A, 120/277 VAC, 1Ø; 1 HP at 120 VAC; 2 HP at 240 VAC
		3/4"	XS-22D	XS-52D		
XS-4C	—	—	—	—	4-WAY	20 A, 120/277 VAC, 1Ø; 1 HP at 120 VAC; 2 HP at 240 VAC

XST TUMBLER SWITCH				
HUB SIZE	CATALOG NUMBER		SWITCH STYLE	SWITCH RATING 347 VAC, 1Ø
	COMPLETE UNITS (BOX, COVER AND SWITCH)			
	DEAD-END	FEED-THRU		
3/4"	XST15-21C	XST15-51C	1-POLE	15A
1"	XST15-31C	XST15-61C		
3/4"	XST20-21C	XST20-51C	1-POLE	20A
1"	XST20-31C	XST20-61C		
3/4"	XST15-23C	XST15-53C	3-WAY/SPDT NO CENTER OFF	15A
1"	XST15-33C	XST15-63C		
3/4"	XST20-23C	XST20-53C	3-WAY/SPDT NO CENTER OFF	20A
1"	XST20-33C	XST20-63C		



FIRE ALARM STATIONS



XAL
Pull Ring



XAS
Break Glass

Class I, Div. 1 & 2, Groups C, D
Class I, Zones 1 & 2, Groups IIB, IIA
Class II, Div. 1 & 2, Groups E, F, G
Class III

XAL Series:

LISTED - File E50498

Certified - File LR31085

XAS Series:

LISTED - File E50498

Certified - File LR31085

FEATURES-SPECIFICATIONS

Features

- Conduit openings are 3/4" NPT feed through
- Red, textured powder epoxy paint finish is standard on box and cover and provides high visibility for alarm station
- XAL-458 has (2) normally open and (2) normally closed contacts.
- Bilingual nameplates included per CSA requirement
- Internal ground screw is standard
- **XAL:** The alarm station is activated by lifting the front cover and pulling down ring. This quick, easy to use two-step process prevents unintentional operation.
- **XAS:** Breaking glass with hammer provided activates alarm. Reset by replacing glass.

Materials

- Enclosure is made of copper free aluminum alloy
- XAS Lens – Glass
- External Hardware – Stainless Steel

Electrical Rating

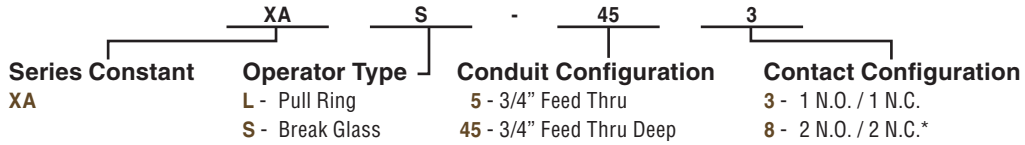
- Push button stations, selector switches heavy duty 600 VAC max.
- Pilot lights 250 VAC max.

CONTACT BLOCK RATINGS – A600				
CURRENT	120 VAC	240 VAC	480 VAC	600 VAC
INRUSH	60	30	15	12
BREAKING	6	3	1.5	1.2
CARRYING	10	10	10	10
DC RATINGS (MAX. AMPS) – P600				
CURRENT	125 VAC	250 VAC		
INRUSH	55	.27		
BREAKING	55	.27		
CARRYING	2.55	2.55		



CONTROLS XAL/XAS SERIES

FIRE ALARM STATIONS



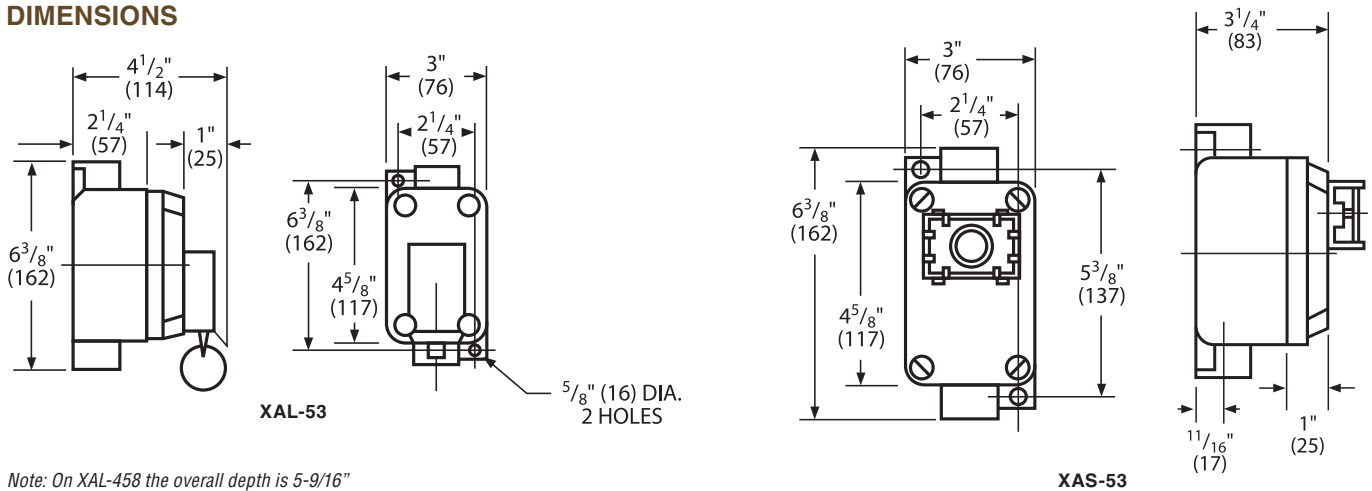
* 2 N.O. / 2 N.C. selection only available with deep back box

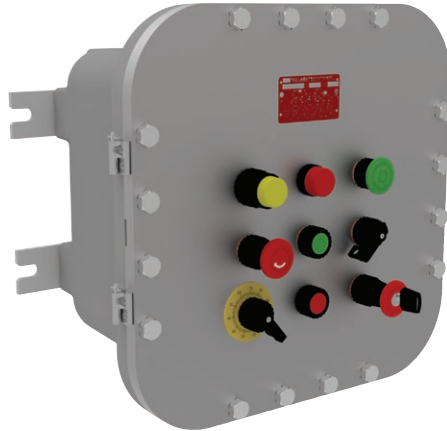
REPLACEMENT PARTS	
CATALOG NUMBER	DESCRIPTION
YOKK15214	XAS Repl. Glass
KIT-232	XAS Rep. Hammer & Chain

XAL FIRE ALARM STATION		
CATALOG NUMBER	OPERATION TYPE	CONTACT BLOCKS
XAL-53	Pull ring	(1) NO/NC
XAL-458	Pull ring	(2) NO/NC
XAS-53	Break glass	(1) NO/NC

CONTACT BLOCK RATING								
AC					DC			
VOLTS	MAKE AMPERES	VA	BREAK AMPERES	VA	CONTINUOUS CARRYING AMPERES	VOLTS	MAKE BREAK	CONTINUOUS CARRYING AMPERES
120	60	7200	6	720	10	125	1.1	5.0
240	30	7200	3	720	10	250	0.55	5.0
480	15	7200	1.5	720	10	600	0.2	5.0
600	12	7200	1.2	720	10	—	—	—

DIMENSIONS





AREA CLASSIFICATION

North American Standards:
Class I, Div 1, Groups B, C, D
Class II, Div 1, Groups E, F, G
Class III
Type 4X

US LISTED - File Number E12379

IECEX/ATEX Ratings:

II 2G Ex db IIC Gb
II 2D Ex tb IIIC Db
IP66

Ambient Operating Temperature:
-50°C to 100°C

UL 22 ATEX 2920U

IECEx ULBR 22.0006U

FEATURES-SPECIFICATIONS

Features

- Operators available in 3/4"-14 NPSM and M22 x 1.5 Metric threads.
- Available in the following bushing lengths:
 - » Short = 0.98" (25mm)
 - » Long = 1.57" (40mm)
 - » Extended = 2.24" (57mm)
 - » 2XL = 2.62" (67mm)
- Easy locking contact block for quick installation.
- Stackable standard contact blocks (non-rotary switch type).
- LED Pilot Light lamps as standard.
- Momentary Push Buttons
- LED Pilot Lights
- Illuminated Push Buttons
- Mushroom Head Push Buttons
- Keyed and Non-Keyed Rotary Selector Switches
- Potentiometers

Materials

- Bushings – Aluminum
- External Hardware – Stainless Steel

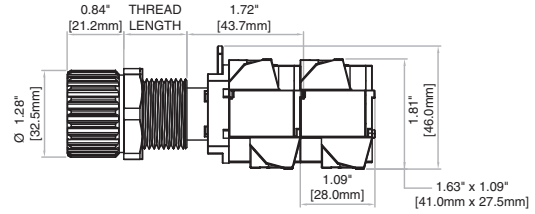
Electrical Ratings

PUSH BUTTON SWITCH ELECTRICAL RATINGS			
RATED VOLTAGE = 500 VAC / 220 VDC – RATED CURRENT = 10 A			
UTILIZATION CATEGORY	VOLTAGE	CURRENT	
AC-15 (Electromagnetic Load)	220 VAC	10 A	
	380 VAC	7.5 A	
	500 VAC	5 A	
DC-13 (Electromagnetic Load)	24 VDC	2.75 A	
	60 VDC	1.10 A	
	110 VDC	0.55 A	
	220 VDC	0.27 A	
PILOT LIGHT AND ILLUMINATED PUSH BUTTON SWITCH ELECTRICAL RATINGS			
PILOT LIGHT RATED VOLTAGE = 480 VAC / 120 VDC			
MAXIMUM WATTAGE = 2.6 W – RATED CURRENT = 12 MA			
ILLUMINATED PILOT LIGHT RATED VOLTAGE = 240 VAC / 120 VDC – MAXIMUM WATTAGE = 2.6 W			
PUSH BUTTON SWITCH RATED VOLTAGE = 250 VAC / 24 VDC			
UTILIZATION CATEGORY	VOLTAGE	CURRENT	
AC-15 (Electromagnetic Load)	250 VAC	6 A	
DC-13 (Electromagnetic Load)	24 VDC	3 A	
ROTARY SWITCH ELECTRICAL RATINGS			
RATED VOLTAGE = 690 VAC / 110 VDC – RATED CURRENT = 20 A			
UTILIZATION CATEGORY	VOLTAGE	CURRENT / WATTAGE	
AC-3 (Squirrel Cage Motors)	220-240 VAC	3.0 kW	
	380-440 VAC	5.5 kW	
AC-15 (Electromagnetic Load)	220-240 VAC	5 A	
	380-440 VAC	4 A	
AC-22A (Mixed Resistive and Inductive Loads, including Small Overloads)	220-240 VAC	20 A	
	380-440 VAC	20 A	
AC-23A (Motors or Highly Inductive Loads)	220-240 VAC	3.7 kW	
	380-440 VAC	7.5 kW	
	24 VDC	20 A	
	48 VDC	12 A	
DC - Resistive Loads (T < 1 ms)	60 VDC	4.5 A	
	110 VDC	1 A	
	DC - Inductive Loads (T = 50 ms)	24 VDC	12 A
		48 VDC	2 A
60 VDC		1 A	
110 VDC		0.4 A	



CONTROLS
GZ SERIES

PUSH BUTTON CONTROLS MOMENTARY



GZ21, GZ1, GZL1, GZXL1

GZ SINGLE PUSH BUTTON (MOMENTARY CONTACT)						
CATALOG NUMBER				BUTTON COLOR	CONTACT TYPE	DIAGRAM
SHORT 0.98" [25MM] THD. LENGTH	LONG 1.57" [40MM] THD. LENGTH	EXTENDED 2.24" [57MM] THD. LENGTH	2X LONG 2.62" [67MM] THD. LENGTH			
GZ21-RZ3	GZ1-RX3	GZL1R3	GZXL1R3	RED	1 N.O./ 1 N.C.	
GZ21-GZ3	GZ1-GX3	GZL1G3	GZXL1G3	GREEN		
GZ21-KZ3	GZ1-KX3	GZL1K3	GZXL1K3	BLACK		
GZ21-AZ3	GZ1-AX3	GZL1A3	GZXL1A3	AMBER		
GZ21-WZ3	GZ1-WX3	GZL1W3	GZXL1W3	WHITE		
GZ21-BZ3	GZ1-BX3	GZL1B3	GZXL1B3	BLUE		

Series Constant GZ

Bushing Length/Operation

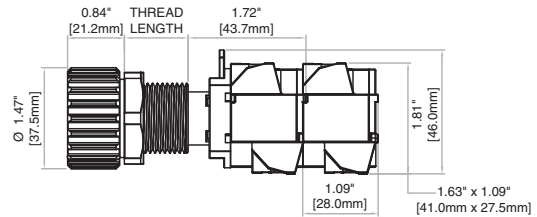
- GZ** - 21 - Momentary Push Button, 25mm(.94") Short/Normal
- 1 - Momentary Push Button, 40mm(1.57") Long
- L1** - Momentary Push Button, 57mm(2.24") Extended
- XL1** - Momentary Push Button, 67mm(2.63") 2X Long

Operator Color

- RZ/RX/R** - Red
- GZ/GX/G** - Green
- KZ/KX/K** - Black
- AZ/AX/A** - Amber
- WZ/WX/W** - White
- BZ/BX/B** - Blue

Contacts

- 1 - 1 N.O.
- 2 - 1 N.C.
- 3 - 1 Universal, 1 N.O., 1 N.C.
- 6 - 2 N.O.
- 7 - 2 N.C.
- 8 - 2 Universal, 2 N.O., 2 N.C.
- 0 - No Contact Block



GZ21B, GZ1B, GZL1B, GZXL1B

GZ BIG SINGLE PUSH BUTTON (MOMENTARY CONTACT)						
CATALOG NUMBER				BUTTON COLOR	CONTACT TYPE	DIAGRAM
SHORT 0.98" [25MM] THD. LENGTH	LONG 1.57" [40MM] THD. LENGTH	EXTENDED 2.24" [57MM] THD. LENGTH	2X LONG 2.62" [67MM] THD. LENGTH			
GZ21B-RZ3	GZ1B-RX3	GZL1B3	GZXL1B3	RED	1 N.O./ 1 N.C.	
GZ21B-GZ3	GZ1B-GX3	GZL1G3	GZXL1G3	GREEN		
GZ21B-KZ3	GZ1B-KX3	GZL1K3	GZXL1K3	BLACK		
GZ21B-AZ3	GZ1B-AX3	GZL1A3	GZXL1A3	AMBER		
GZ21B-WZ3	GZ1B-WX3	GZL1W3	GZXL1W3	WHITE		
GZ21B-BZ3	GZ1B-BX3	GZL1B3	GZXL1B3	BLUE		

Series Constant GZ

Bushing Length/Operation

- 21B** - Big Momentary Push Button, 25mm(.94") Short/Normal
- 1B** - Big Momentary Push Button, 40mm(1.57") Long
- L1B** - Big Momentary Push Button, 57mm(2.24") Extended
- XL1B** - Big Momentary Push Button, 67mm(2.63") 2X Long

Operator Color

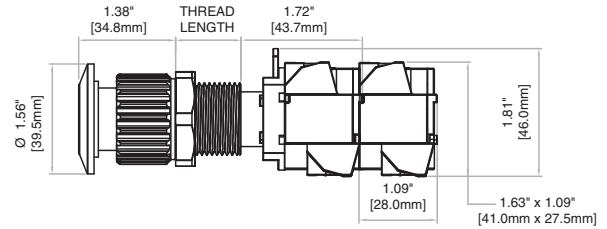
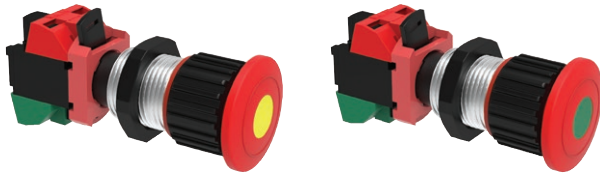
- RZ/RX/R** - Red
- GZ/GX/G** - Green
- KZ/KX/K** - Black
- AZ/AX/A** - Amber
- WZ/WX/W** - White
- BZ/BX/B** - Blue

Contacts

- 1 - 1 N.O.
- 2 - 1 N.C.
- 3 - 1 Universal, 1 N.O., 1 N.C.
- 6 - 2 N.O.
- 7 - 2 N.C.
- 8 - 2 Universal, 2 N.O., 2 N.C.
- 0 - No Contact Block



PUSH BUTTON CONTROLS MOMENTARY



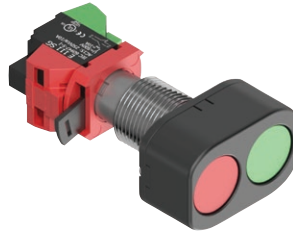
GZMM21, GZMM1, GZMML1, GZMMXL1

Series Constant	Bushing Length/Operation	Operator Color	Contacts
GZ	<p>MM21 - Momentary Mushroom Push Button, 25mm(.94") Short/Normal</p> <p>MM1 - Momentary Mushroom Push Button, 40mm(1.57") Long</p> <p>MML1 - Momentary Mushroom Push Button, 57mm(2.24") Extended</p> <p>MMXL1 - Momentary Mushroom Push Button, 67mm(2.63") 2X Long</p>	<p>RY - Yellow w/ Red Background</p> <p>RG - Green w/ Red Background</p> <p>RK - Black w/ Red Background</p>	<p>1 - 1 N.O.</p> <p>2 - 1 N.C.</p> <p>3 - 1 Universal, 1 N.O, 1 N.C.</p> <p>6 - 2 N.O.</p> <p>7 - 2 N.C.</p> <p>8 - 2 Universal, 2 N.O, 2 N.C.</p> <p>0 - No Contact Block</p>

GZ SINGLE PUSH BUTTON (MOMENTARY CONTACT) MUSHROOM HEAD PUSH

SHORT 0.98" [25MM] THD.	LONG 1.57" [40MM] THD.	EXTENDED 2.24" [57MM] THD.	2X LONG 2.62" [67MM] THD.	COLOR	CONTACT TYPE	DIAGRAM
GZMM21-RM3	GZMM1-RY3	GZMML1-RY3	GZMMXL1-RY3	RED/YELLOW	1 N.O./1 N.C.	
GZMM21-RG3	GZMM1-RG3	GZMML1-RG3	GZMMXL1-RG3	RED/GREEN	1 N.O./1 N.C.	
GZMM21-RK3	GZMM1-RK3	GZMML1-RK3	GZMMXL1-RK3	RED/BLACK	1 N.O./1 N.C.	

DOUBLE PUSH BUTTON CONTROLS MOMENTARY



Series Constant	Bushing Length/Operation	Operator Color	Contacts
GZ	<p>22 - Double Momentary Push Button, 25mm(.94") Short/Normal</p> <p>2 - Double Momentary Push Button, 40mm(1.57") Long</p> <p>L2 - Double Momentary Push Button, 57mm(2.24") Extended</p> <p>XL2 - Double Momentary Push Button, 67mm(2.63") 2X Long</p>	<p>GR - Green/Red</p> <p>KK - Black/Black</p>	<p>12 - 1 N.O, 1 N.C.</p> <p>11 - 2 N.O</p>

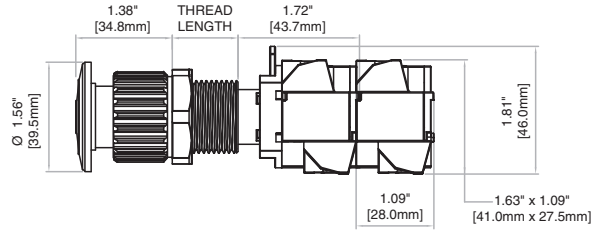
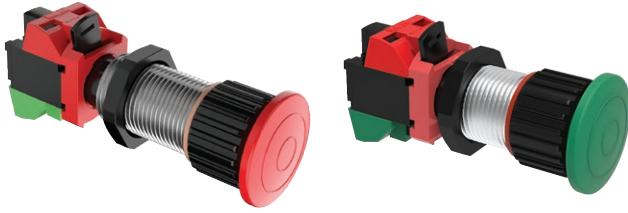
GZ DOUBLE PUSH BUTTON (MOMENTARY CONTACT)

SHORT 0.94" [25MM] THD.	LONG 1.57" [40MM] THD.	EXTENDED 2.24" [57MM] THD.	2X LONG 2.62" [67MM] THD.	COLOR	CONTACT TYPE	DIAGRAM
GZ22-GR12	GZ2-GR12	GZL2GR12	GZXL2GR12	RED/GREEN	1 N.O./1 N.C.	
GZ22-KK12	GZ2-KK12	GZL2KK12	GZXL2KK12	BLACK/BLACK	1 N.O./1 N.C.	
GZ22-KK11	GZ2-KK11	GZL2KK11	GZXL2KK11	BLACK/BLACK	2 N.O	



CONTROLS GZ SERIES

MAINTAINED CONTACT PUSH BUTTONS

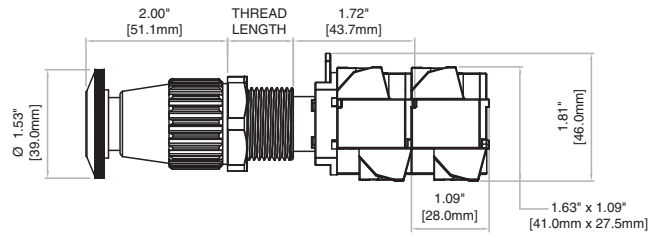


GZMP21, GZMP1, GZMPL1, GZMPXL1

Series Constant	Bushing Length/Operation	Operator Color	Contacts
GZ	<p>MP21 - Maintained Mushroom Push-Pull, 25mm(.94") Short/Normal</p> <p>MP1 - Maintained Mushroom Push-Pull, 40mm(1.57") Long</p> <p>MPL1 - Maintained Mushroom Push-Pull, 57mm(2.24") Extended</p> <p>MPXL1 - Maintained Mushroom Push-Pull, 67mm(2.63") 2X Long</p>	<p>RM/R - Red</p> <p>GM/G - Green</p> <p>KM/K - Black</p>	<p>1</p> <p>1 - 1 N.O.</p> <p>2 - 1 N.C.</p> <p>3 - 1 Universal, 1 N.O., 1 N.C.</p> <p>6 - 2 N.O.</p> <p>7 - 2 N.C.</p> <p>8 - 2 Universal, 2 N.O., 2 N.C.</p> <p>0 - No Contact Block</p>

GZ SINGLE PUSH BUTTON (MAINTAINED CONTACT) MUSHROOM HEAD PUSH – PULL RELEASE

SHORT 0.98" [25MM] THD.	LONG 1.57" [40MM] THD.	EXTENDED 2.24" [57MM] THD.	2X LONG 2.62" [67MM] THD.	COLOR	CONTACT TYPE	DIAGRAM
GZMP21-RM3	GZMP1-RM3	GZMPL1R3	GZMPXL1R3	RED	1 N.O./1 N.C.	
GZMP21-GM3	GZMP1-GM3	GZMPL1G3	GZMPXL1G3	GREEN	1 N.O./1 N.C.	
GZMP21-KM3	GZMP1-KM3	GZMPL1K3	GZMPXL1K3	BLACK	1 N.O./1 N.C.	



GZMT21, GZMT1, GZMTL1, GZMTXL1

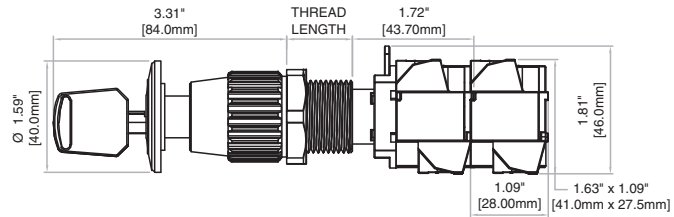
Series Constant	Bushing Length/Operation	Operator Color	Contacts
GZ	<p>MT21 - Maintained Mushroom Push-Twist, 25mm(.94") Short/Normal</p> <p>MT1 - Maintained Mushroom Push-Twist, 40mm(1.57") Long</p> <p>MTL1 - Maintained Mushroom Push-Twist, 57mm(2.24") Extended</p> <p>MTXL1 - Maintained Mushroom Push-Twist, 67mm(2.63") 2X Long</p>	<p>RM/R - Red</p> <p>GM/G - Green</p> <p>KM/K - Black</p>	<p>1</p> <p>1 - 1 N.O.</p> <p>2 - 1 N.C.</p> <p>3 - 1 Universal, 1 N.O., 1 N.C.</p> <p>6 - 2 N.O.</p> <p>7 - 2 N.C.</p> <p>8 - 2 Universal, 2 N.O., 2 N.C.</p> <p>0 - No Contact Block</p>

GZ SINGLE PUSH BUTTON (MAINTAINED CONTACT) MUSHROOM HEAD PUSH – TWIST RELEASE

SHORT 0.98" [25MM] THD.	LONG 1.57" [40MM] THD.	EXTENDED 2.24" [57MM] THD.	2X LONG 2.62" [67MM] THD.	COLOR	CONTACT TYPE	DIAGRAM
GZMT21-RM3	GZMT1-RM3	GZMTL1R3	GZMTXL1R3	RED	1 N.O./1 N.C.	



MAINTAINED CONTACT PUSH BUTTONS

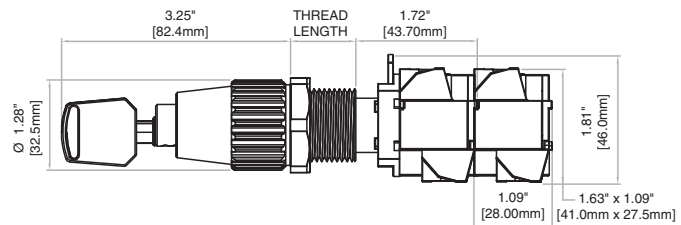


GZMK21, GZMK1, GZMKL1, GZMKXL1

Series Constant	Bushing Length/Operation	Operator Color	Contacts
GZ	<ul style="list-style-type: none"> MK21 - Maintained Mushroom Push-Key, 25mm(.94") Short/Normal MK1 - Maintained Mushroom Push-Key, 40mm(1.57") Long MKL1 - Maintained Mushroom Push-Key, 57mm(2.24") Extended MKXL1 - Maintained Mushroom Push-Key, 67mm(2.63") 2X Long 	<ul style="list-style-type: none"> RM/R - Red GM/G - Green KM/K - Black 	<ul style="list-style-type: none"> 1 - 1 N.O. 2 - 1 N.C. 3 - 1 Universal, 1 N.O, 1 N.C. 6 - 2 N.O. 7 - 2 N.C. 8 - 2 Universal, 2 N.O, 2 N.C. 0 - No Contact Block

GZ SINGLE PUSH BUTTON (MAINTAINED CONTACT) MUSHROOM HEAD PUSH – KEY RELEASE

SHORT 0.98" [25MM] THD.	LONG 1.57" [40MM] THD.	EXTENDED 2.24" [57MM] THD.	2X LONG 2.62" [67MM] THD.	COLOR	CONTACT TYPE	DIAGRAM
GZMK21-RM3	GZMK1-RM3	GZMKL1R3	GZMKXL1R3	RED	1 N.O./1 N.C.	



GZK21, GZK1, GZKL1, GZKXL1

Series Constant	Bushing Length/Operation	Contacts
GZ	<ul style="list-style-type: none"> K21 - Maintained Push-Key, 25mm(.94") Short/Normal K1 - Maintained Push-Key, 40mm(1.57") Long KL1 - Maintained Push-Key, 57mm(2.24") Extended KXL1 - Maintained Push-Key, 67mm(2.63") 2X Long 	<ul style="list-style-type: none"> 1 - 1 N.O. 2 - 1 N.C. 3 - 1 Universal, 1 N.O, 1 N.C. 6 - 2 N.O. 7 - 2 N.C. 8 - 2 Universal, 2 N.O, 2 N.C. 0 - No Contact Block

GZ SINGLE PUSH BUTTON (MAINTAINED CONTACT) KEY RELEASE

SHORT 0.98" [25MM] THD.	LONG 1.57" [40MM] THD.	EXTENDED 2.24" [57MM] THD.	2X LONG 2.62" [67MM] THD.	COLOR	CONTACT TYPE	DIAGRAM
GZK21-3	GZK1-3	GZKL13	GZKXL13	CHROME	1 N.O./1 N.C.	

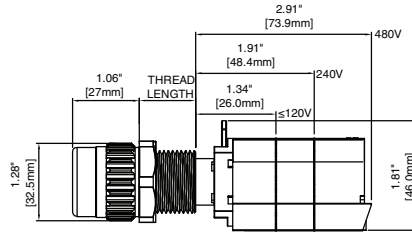


CONTROLS GZ SERIES

PILOT LIGHT CONTROLS



PILOT LIGHT



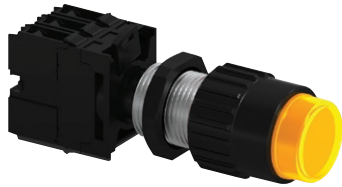
GZ23, GZB3, GZL3, GZXL3

Series	Constant	Bushing Length/Operation	Lens/LED Color	Lamp Voltage
GZ	Constant	23 - Pilot Light LED, 25mm(.94") Short/Normal	A - Amber	4 - 24V AC/DC
		B3 - Pilot Light LED, 40mm(1.57") Long	B - Blue	12 - 12V AC/DC
		L3 - Pilot Light LED, 57mm(2.24") Extended	C - Clear	23 - 120V AC/DC
		XL3 - Pilot Light LED, 67mm(2.63") 2X Long	G - Green	24 - 240V AC
23	Constant		R - Red	48 - 480V AC

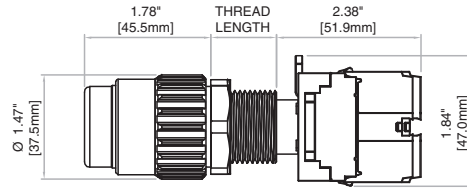
CATALOG NUMBER				COLOR	VOLTAGE	DIAGRAM
SHORT 0.98" [25MM] THD. LENGTH	LONG 1.57" [40MM] THD. LENGTH	EXTENDED 2.24" [57MM] THD. LENGTH	2X LONG 2.62" [67MM] THD. LENGTH			
GZ23-A12	GZB3-A12	GZL3A12	GZXL3A12	AMBER	12V AC/DC LED	X1 ⊗ X2
GZ23-B12	GZB3-B12	GZL3B12	GZXL3B12	BLUE		
GZ23-C12	GZB3-C12	GZL3C12	GZXL3C12	CLEAR		
GZ23-G12	GZB3-G12	GZL3G12	GZXL3G12	GREEN		
GZ23-R12	GZB3-R12	GZL3R12	GZXL3R12	RED		
GZ23-A4	GZB3-A4	GZL3A4	GZXL3A4	AMBER	24V AC/DC LED	X1 ⊗ X2
GZ23-B4	GZB3-B4	GZL3B4	GZXL3B4	BLUE		
GZ23-C4	GZB3-C4	GZL3C4	GZXL3C4	CLEAR		
GZ23-G4	GZB3-G4	GZL3G4	GZXL3G4	GREEN		
GZ23-R4	GZB3-R4	GZL3R4	GZXL3R4	RED		
GZ23-A23	GZB3-A23	GZL3A23	GZXL3A23	AMBER	120V AC/DC LED	X1 ⊗ X2
GZ23-B23	GZB3-B23	GZL3B23	GZXL3B23	BLUE		
GZ23-C23	GZB3-C23	GZL3C23	GZXL3C23	CLEAR		
GZ23-G23	GZB3-G23	GZL3G23	GZXL3G23	GREEN		
GZ23-R23	GZB3-R23	GZL3R23	GZXL3R23	RED		
GZ23-A24	GZB3-A24	GZL3A24	GZXL3A24	AMBER	240V AC LED	X1 ⊗ X2
GZ23-B24	GZB3-B24	GZL3B24	GZXL3B24	BLUE		
GZ23-C24	GZB3-C24	GZL3C24	GZXL3C24	CLEAR		
GZ23-G24	GZB3-G24	GZL3G24	GZXL3G24	GREEN		
GZ23-R24	GZB3-R24	GZL3R24	GZXL3R24	RED		
GZ23-A48	GZB3-A48	GZL3A48	GZXL3A48	AMBER	480V AC LED	X1 ⊗ X2
GZ23-B48	GZB3-B48	GZL3B48	GZXL3B48	BLUE		
GZ23-C48	GZB3-C48	GZL3C48	GZXL3C48	CLEAR		
GZ23-G48	GZB3-G48	GZL3G48	GZXL3G48	GREEN		
GZ23-R48	GZB3-R48	GZL3R48	GZXL3R48	RED		



ILLUMINATED PUSH BUTTON CONTROLS



ILLUMINATED PUSH BUTTON



GZ24, GZB4, GZL4, GZXL4

Series Constant	GZ	XL3	C	24	3	Contacts
Bushing Length/Operation	24 - Illuminated Push Button LED, 25mm(.94") Short/Normal		Lens/LED Color		Lamp Voltage	
GZ	B4 - Illuminated Push Button LED, 40mm(1.57") Long		A - Amber	4 - 24V AC/DC	3 - 1 Universal, 1 N.O, 1 N.C.	
	L4 - Illuminated Push Button LED, 57mm(2.24") Extended		B - Blue	12 - 12V AC/DC		
	XL4 - Illuminated Push Button LED, 67mm(2.63") 2X Long		C - Clear	23 - 120V AC/DC		
			G - Green	24 - 240V AC		
			R - Red			

GZ ILLUMINATED PUSH BUTTON

SHORT 0.98" [25MM] THD. LENGTH	LONG 1.57" [40MM] THD. LENGTH	EXTENDED 2.24" [57MM] THD. LENGTH	2X LONG 2.62" [67MM] THD. LENGTH	COLOR	CONTACT TYPE & VOLTAGE	DIAGRAM
GZ24-A123	GZB4-A123	GZL4A123	GZXL4A123	AMBER	1 N.O./1 N.C. 12V AC/DC LED	
GZ24-B123	GZB4-B123	GZL4B123	GZXL4B123	BLUE		
GZ24-C123	GZB4-C123	GZL4C123	GZXL4C123	CLEAR		
GZ24-G123	GZB4-G123	GZL4G123	GZXL4G123	GREEN		
GZ24-R123	GZB4-R123	GZL4R123	GZXL4R123	RED		
GZ24-A43	GZB4-A43	GZL4A43	GZXL4A43	AMBER	1 N.O./1 N.C. 24V AC/DC LED	
GZ24-B43	GZB4-B43	GZL4B43	GZXL4B43	BLUE		
GZ24-C43	GZB4-C43	GZL4C43	GZXL4C43	CLEAR		
GZ24-G43	GZB4-G43	GZL4G43	GZXL4G43	GREEN		
GZ24-R43	GZB4-R43	GZL4R43	GZXL4R43	RED		
GZ24-A233	GZB4-A233	GZL4A233	GZXL4A233	AMBER	1 N.O./1 N.C. 120V AC/DC LED	
GZ24-B233	GZB4-B233	GZL4B233	GZXL4B233	BLUE		
GZ24-C233	GZB4-C233	GZL4C233	GZXL4C233	CLEAR		
GZ24-G233	GZB4-G233	GZL4G233	GZXL4G233	GREEN		
GZ24-R233	GZB4-R233	GZL4R233	GZXL4R233	RED		
GZ24-A243	GZB4-A243	GZL4A243	GZXL4A243	AMBER	1 N.O./1 N.C. 240V AC LED	
GZ24-B243	GZB4-B243	GZL4B243	GZXL4B243	BLUE		
GZ24-C243	GZB4-C243	GZL4C243	GZXL4C243	CLEAR		
GZ24-G243	GZB4-G243	GZL4G243	GZXL4G243	GREEN		
GZ24-R243	GZB4-R243	GZL4R243	GZXL4R243	RED		



CONTROLS
GZ SERIES

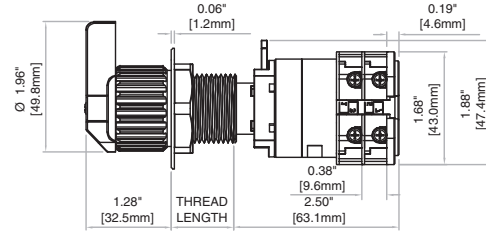
SELECTOR SWITCH CONTROLS MAINTAINED



SELECTOR SWITCH SINGLE STACK



SELECTOR SWITCH DOUBLE STACK



GZ25, GZ5, GZL5, GZXL5

	GZ	XL5	4H88
Series Constant	GZ		
Bushing Length/Operation	<ul style="list-style-type: none"> 25 - Maintained Selector Switch, 25mm(.94") Short/Normal 5 - Maintained Selector Switch, 40mm(1.57") Long L5 - Maintained Selector Switch, 57mm(2.24") Extended XL5 - Maintained Selector Switch, 67mm(2.63") 2X Long 		
Selector Switch Operation			<ul style="list-style-type: none"> 2A3 - 2 Position One Pole Double Throw, 1 N.O., 1 N.C. 2A6 - 2 Position Two Pole Double Throw, 2 N.O. A8 - 2 Position Two Pole Double Throw, 2 N.O., 2 N.C. 3C3 - 3 Position One Pole Double Throw, 1 N.O., 1 N.C. 3C8 - 3 Position One Pole Double Throw, 2 N.O., 2 N.C. 3G3 - 3 Position One Pole Double Throw, No Off, 1 N.C. Each Position 3G8 - 3 Position One Pole Double Throw, No Off, 2 N.C. Each Position 4H8 - 4 Position One Pole Double Throw, w/ Off, 1 N.C. Position 1,2,3 4H88 - 4 Position One Pole Double Throw, w/ Off, 2 N.C. Position 1,2,3



SELECTOR SWITCH CONTROLS MAINTAINED

GZ 2 POSITION SELECTOR SWITCH MAINTAINED CONTACT (SINGLE STACK)																	
CATALOG NUMBER				ELECTRICAL DIAGRAM	TYPE OF OPERATION												
SHORT 0.98" [25MM] THD. LENGTH	LONG 1.57" [40MM] THD. LENGTH	EXTENDED 2.24" [57MM] THD. LENGTH	2X LONG 2.62" [67MM] THD. LENGTH														
GZ25-2A3	GZ5-2A3	GZL52A3	GZXL52A3	<table border="1"> <thead> <tr> <th colspan="3">CONTACT BLOCK TERMINALS</th> </tr> <tr> <th>POSITION</th> <th>1/2</th> <th>3/4</th> </tr> </thead> <tbody> <tr> <td>LEFT</td> <td>X</td> <td></td> </tr> <tr> <td>RIGHT</td> <td></td> <td>X</td> </tr> </tbody> </table>	CONTACT BLOCK TERMINALS			POSITION	1/2	3/4	LEFT	X		RIGHT		X	2 POS. ONE POLE DOUBLE THROW
CONTACT BLOCK TERMINALS																	
POSITION	1/2	3/4															
LEFT	X																
RIGHT		X															
GZ25-2A6	GZ5-2A6	GZL52A6	GZXL52A6	<table border="1"> <thead> <tr> <th colspan="3">CONTACT BLOCK TERMINALS</th> </tr> <tr> <th>POSITION</th> <th>1/2</th> <th>3/4</th> </tr> </thead> <tbody> <tr> <td>LEFT</td> <td></td> <td></td> </tr> <tr> <td>RIGHT</td> <td>X</td> <td>X</td> </tr> </tbody> </table>	CONTACT BLOCK TERMINALS			POSITION	1/2	3/4	LEFT			RIGHT	X	X	2 POS. TWO POLE DOUBLE THROW
CONTACT BLOCK TERMINALS																	
POSITION	1/2	3/4															
LEFT																	
RIGHT	X	X															

GZ 3 POSITION SELECTOR SWITCH MAINTAINED CONTACT (SINGLE STACK)																				
CATALOG NUMBER				ELECTRICAL DIAGRAM	TYPE OF OPERATION															
SHORT 0.98" [25MM] THD. LENGTH	LONG 1.57" [40MM] THD. LENGTH	EXTENDED 2.24" [57MM] THD. LENGTH	2X LONG 2.62" [67MM] THD. LENGTH																	
GZ25-3C3	GZ5-3C3	GZL53C3	GZXL53C3	<table border="1"> <thead> <tr> <th colspan="3">CONTACT BLOCK TERMINALS</th> </tr> <tr> <th>POSITION</th> <th>1/2</th> <th>3/4</th> </tr> </thead> <tbody> <tr> <td>LEFT</td> <td>X</td> <td></td> </tr> <tr> <td>CENTER</td> <td></td> <td></td> </tr> <tr> <td>RIGHT</td> <td></td> <td>X</td> </tr> </tbody> </table>	CONTACT BLOCK TERMINALS			POSITION	1/2	3/4	LEFT	X		CENTER			RIGHT		X	3 POS. ONE POLE DOUBLE THROW w/ OFF
CONTACT BLOCK TERMINALS																				
POSITION	1/2	3/4																		
LEFT	X																			
CENTER																				
RIGHT		X																		

GZ 3 POSITION SELECTOR SWITCH MAINTAINED CONTACT - NO OFF (SINGLE STACK)																									
CATALOG NUMBER				ELECTRICAL DIAGRAM	TYPE OF OPERATION																				
SHORT 0.98" [25MM] THD. LENGTH	LONG 1.57" [40MM] THD. LENGTH	EXTENDED 2.24" [57MM] THD. LENGTH	2X LONG 2.62" [67MM] THD. LENGTH																						
GZ25-3G3	GZ5-3G3	GZL53G3	GZXL53G3	<table border="1"> <thead> <tr> <th colspan="4">CONTACT BLOCK TERMINALS</th> </tr> <tr> <th>POSITION</th> <th>1/2</th> <th>3/4</th> <th>5/6</th> </tr> </thead> <tbody> <tr> <td>LEFT</td> <td>X</td> <td></td> <td></td> </tr> <tr> <td>CENTER</td> <td></td> <td>X</td> <td></td> </tr> <tr> <td>RIGHT</td> <td></td> <td></td> <td>X</td> </tr> </tbody> </table>	CONTACT BLOCK TERMINALS				POSITION	1/2	3/4	5/6	LEFT	X			CENTER		X		RIGHT			X	3 POS. ONE POLE NO OFF, 1 N.C. IN POSITION 1,2,3
CONTACT BLOCK TERMINALS																									
POSITION	1/2	3/4	5/6																						
LEFT	X																								
CENTER		X																							
RIGHT			X																						

GZ 4 POSITION SELECTOR SWITCH MAINTAINED CONTACT (SINGLE STACK)																									
CATALOG NUMBER				ELECTRICAL DIAGRAM	TYPE OF OPERATION																				
SHORT 0.98" [25MM] THD. LENGTH	LONG 1.57" [40MM] THD. LENGTH	EXTENDED 2.24" [57MM] THD. LENGTH	2X LONG 2.62" [67MM] THD. LENGTH																						
GZ25-4H8	GZ5-4H8	GZL54H8	GZXL54H8	<table border="1"> <thead> <tr> <th colspan="4">CONTACT BLOCK TERMINALS</th> </tr> <tr> <th>POSITION</th> <th>1/2</th> <th>3/4</th> <th>5/6</th> </tr> </thead> <tbody> <tr> <td>1</td> <td>X</td> <td></td> <td></td> </tr> <tr> <td>2</td> <td></td> <td>X</td> <td></td> </tr> <tr> <td>3</td> <td></td> <td></td> <td>X</td> </tr> </tbody> </table>	CONTACT BLOCK TERMINALS				POSITION	1/2	3/4	5/6	1	X			2		X		3			X	4 POS. ONE POLE w/ OFF 1 N.C. IN POSITION 1,2,3
CONTACT BLOCK TERMINALS																									
POSITION	1/2	3/4	5/6																						
1	X																								
2		X																							
3			X																						



CONTROLS
GZ SERIES

SELECTOR SWITCH CONTROLS MAINTAINED

GZ 2 POSITION SELECTOR SWITCH MAINTAINED CONTACT (DOUBLE STACK)																									
CATALOG NUMBER				ELECTRICAL DIAGRAM	TYPE OF OPERATION																				
SHORT 0.98" [25MM] THD. LENGTH	LONG 1.57" [40MM] THD. LENGTH	EXTENDED 2.24" [57MM] THD. LENGTH	2X LONG 2.62" [67MM] THD. LENGTH																						
GZ25-2A8	GZ5-2A8	GZL52A8	GZXL52A8	<table border="1"> <thead> <tr> <th colspan="5">CONTACT BLOCK TERMINALS</th> </tr> <tr> <th>POSITION</th> <th>1/2</th> <th>3/4</th> <th>5/6</th> <th>7/8</th> </tr> </thead> <tbody> <tr> <td>LEFT</td> <td>X</td> <td></td> <td>X</td> <td></td> </tr> <tr> <td>RIGHT</td> <td></td> <td>X</td> <td></td> <td>X</td> </tr> </tbody> </table>	CONTACT BLOCK TERMINALS					POSITION	1/2	3/4	5/6	7/8	LEFT	X		X		RIGHT		X		X	2 POS. TWO POLE DOUBLE THROW
CONTACT BLOCK TERMINALS																									
POSITION	1/2	3/4	5/6	7/8																					
LEFT	X		X																						
RIGHT		X		X																					

GZ 3 POSITION SELECTOR SWITCH MAINTAINED CONTACT (DOUBLE STACK)																														
CATALOG NUMBER				ELECTRICAL DIAGRAM	TYPE OF OPERATION																									
SHORT 0.98" [25MM] THD. LENGTH	LONG 1.57" [40MM] THD. LENGTH	EXTENDED 2.24" [57MM] THD. LENGTH	2X LONG 2.62" [67MM] THD. LENGTH																											
GZ25-3C8	GZ5-3C8	GZL53C8	GZXL53C8	<table border="1"> <thead> <tr> <th colspan="5">CONTACT BLOCK TERMINALS</th> </tr> <tr> <th>POSITION</th> <th>1/2</th> <th>3/4</th> <th>5/6</th> <th>7/8</th> </tr> </thead> <tbody> <tr> <td>LEFT</td> <td>X</td> <td></td> <td>X</td> <td></td> </tr> <tr> <td>CENTER</td> <td></td> <td></td> <td></td> <td></td> </tr> <tr> <td>RIGHT</td> <td></td> <td>X</td> <td></td> <td>X</td> </tr> </tbody> </table>	CONTACT BLOCK TERMINALS					POSITION	1/2	3/4	5/6	7/8	LEFT	X		X		CENTER					RIGHT		X		X	3 POS. TWO POLE DOUBLE THROW w/ OFF
CONTACT BLOCK TERMINALS																														
POSITION	1/2	3/4	5/6	7/8																										
LEFT	X		X																											
CENTER																														
RIGHT		X		X																										

GZ 3 POSITION SELECTOR SWITCH MAINTAINED CONTACT - NO OFF (DOUBLE STACK)																																													
CATALOG NUMBER				ELECTRICAL DIAGRAM	TYPE OF OPERATION																																								
SHORT 0.98" [25MM] THD. LENGTH	LONG 1.57" [40MM] THD. LENGTH	EXTENDED 2.24" [57MM] THD. LENGTH	2X LONG 2.62" [67MM] THD. LENGTH																																										
GZ25-3G8	GZ5-3G8	GZL53G8	GZXL53G8	<table border="1"> <thead> <tr> <th colspan="8">CONTACT BLOCK TERMINALS</th> </tr> <tr> <th>POSITION</th> <th>1/2</th> <th>3/4</th> <th>5/6</th> <th>7/8</th> <th>9/10</th> <th>11/12</th> <th></th> </tr> </thead> <tbody> <tr> <td>LEFT</td> <td>X</td> <td></td> <td></td> <td>X</td> <td></td> <td></td> <td></td> </tr> <tr> <td>CENTER</td> <td></td> <td>X</td> <td></td> <td></td> <td>X</td> <td></td> <td></td> </tr> <tr> <td>RIGHT</td> <td></td> <td></td> <td>X</td> <td></td> <td></td> <td>X</td> <td></td> </tr> </tbody> </table>	CONTACT BLOCK TERMINALS								POSITION	1/2	3/4	5/6	7/8	9/10	11/12		LEFT	X			X				CENTER		X			X			RIGHT			X			X		3 POS. TWO POLE NO OFF, 2 N.C. IN POSITION 1,2,3
CONTACT BLOCK TERMINALS																																													
POSITION	1/2	3/4	5/6	7/8	9/10	11/12																																							
LEFT	X			X																																									
CENTER		X			X																																								
RIGHT			X			X																																							

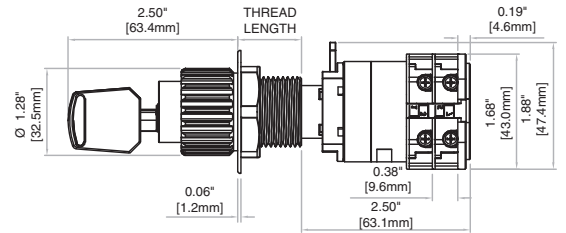
GZ 4 POSITION SELECTOR SWITCH MAINTAINED CONTACT (DOUBLE STACK)																																																					
CATALOG NUMBER				ELECTRICAL DIAGRAM	TYPE OF OPERATION																																																
SHORT 0.98" [25MM] THD. LENGTH	LONG 1.57" [40MM] THD. LENGTH	EXTENDED 2.24" [57MM] THD. LENGTH	2X LONG 2.62" [67MM] THD. LENGTH																																																		
GZ25-4H88	GZ5-4H88	GZL54H88	GZXL54H88	<table border="1"> <thead> <tr> <th colspan="8">CONTACT BLOCK TERMINALS</th> </tr> <tr> <th>POSITION</th> <th>1/2</th> <th>3/4</th> <th>5/6</th> <th>7/8</th> <th>9/10</th> <th>11/12</th> <th></th> </tr> </thead> <tbody> <tr> <td>0</td> <td></td> <td></td> <td></td> <td></td> <td></td> <td></td> <td></td> </tr> <tr> <td>1</td> <td>X</td> <td></td> <td></td> <td>X</td> <td></td> <td></td> <td></td> </tr> <tr> <td>2</td> <td></td> <td>X</td> <td></td> <td></td> <td>X</td> <td></td> <td></td> </tr> <tr> <td>3</td> <td></td> <td></td> <td>X</td> <td></td> <td></td> <td>X</td> <td></td> </tr> </tbody> </table>	CONTACT BLOCK TERMINALS								POSITION	1/2	3/4	5/6	7/8	9/10	11/12		0								1	X			X				2		X			X			3			X			X		4 POS. TWO POLE w/ OFF 2 N.C. IN POSITION 1,2,3
CONTACT BLOCK TERMINALS																																																					
POSITION	1/2	3/4	5/6	7/8	9/10	11/12																																															
0																																																					
1	X			X																																																	
2		X			X																																																
3			X			X																																															



KEYED SELECTOR SWITCH CONTROLS MAINTAINED



KEY SELECTOR SWITCH SINGLE STACK KEY SELECTOR SWITCH DOUBLE STACK



GZ28, GZ8, GZL8, GZXL8

Series Constant
GZ

Bushing Length/Operation

- 28 - Maintained Keyed Selector Switch, 25mm(.94") Short/Normal
- 8 - Maintained Keyed Selector Switch, 40mm(1.57") Long
- L8 - Maintained Keyed Selector Switch, 57mm(2.24") Extended
- XL8 - Maintained Keyed Selector Switch, 67mm(2.63") 2X Long

Selector Switch Operation

- 2A3 - 2 Position One Pole Double Throw, 1 N.O., 1 N.C.
- 2A6 - 2 Position Two Pole Double Throw, 2 N.O.
- A8 - 2 Position Two Pole Double Throw, 2 N.O., 2 N.C.
- 3C3 - 3 Position One Pole Double Throw, 1 N.O., 1 N.C.
- 3C8 - 3 Position One Pole Double Throw, 2 N.O., 2 N.C.
- 3G3 - 3 Position One Pole Double Throw, No Off, 1 N.C. Each Position
- 3G8 - 3 Position One Pole Double Throw, No Off, 2 N.C. Each Position
- 4H8 - 4 Position One Pole Double Throw, w/ Off, 1 N.C. Position 1,2,3
- 4H88 - 4 Position One Pole Double Throw, w/ Off, 2 N.C. Position 1,2,3

Key Options

- 22 - Key Removal in Left Position Only
- 32 - Key Removal in Center Position Only

GZ 2 POSITION KEY SELECTOR SWITCH MAINTAINED CONTACT

CATALOG NUMBER				ELECTRICAL DIAGRAM	TYPE OF OPERATION												
SHORT 0.98" [25MM] THD. LENGTH	LONG 1.57" [40MM] THD. LENGTH	EXTENDED 2.24" [57MM] THD. LENGTH	2X LONG 2.62" [67MM] THD. LENGTH														
GZ28-2A3	GZ8-2A3	GZL82A3	GZXL82A3	<table border="1"> <tr><th colspan="3">CONTACT BLOCK TERMINALS</th></tr> <tr><th>POSITION</th><th>1/2</th><th>3/4</th></tr> <tr><td>LEFT</td><td>X</td><td></td></tr> <tr><td>RIGHT</td><td></td><td>X</td></tr> </table>	CONTACT BLOCK TERMINALS			POSITION	1/2	3/4	LEFT	X		RIGHT		X	2 POS. ONE POLE DOUBLE THROW
CONTACT BLOCK TERMINALS																	
POSITION	1/2	3/4															
LEFT	X																
RIGHT		X															
GZ28-2A6	GZ8-2A6	GZL82A6	GZXL82A6	<table border="1"> <tr><th colspan="3">CONTACT BLOCK TERMINALS</th></tr> <tr><th>POSITION</th><th>1/2</th><th>3/4</th></tr> <tr><td>LEFT</td><td></td><td></td></tr> <tr><td>RIGHT</td><td>X</td><td>X</td></tr> </table>	CONTACT BLOCK TERMINALS			POSITION	1/2	3/4	LEFT			RIGHT	X	X	2 POS. TWO POLE DOUBLE THROW
CONTACT BLOCK TERMINALS																	
POSITION	1/2	3/4															
LEFT																	
RIGHT	X	X															

GZ 2 POSITION SELECTOR SWITCH MAINTAINED CONTACT KEY REMOVAL IN LEFT ONLY

GZ28-2A322	GZ8-2A322	GZL82A322	GZXL82A322	ONE POLE DOUBLE THROW
------------	-----------	-----------	------------	-----------------------

GZ 3 POSITION KEY SELECTOR SWITCH MAINTAINED CONTACT

CATALOG NUMBER				ELECTRICAL DIAGRAM	TYPE OF OPERATION															
SHORT 0.98" [25MM] THD. LENGTH	LONG 1.57" [40MM] THD. LENGTH	EXTENDED 2.24" [57MM] THD. LENGTH	2X LONG 2.62" [67MM] THD. LENGTH																	
GZ28-3C3	GZ8-3C3	GZL83C3	GZXL83C3	<table border="1"> <tr><th colspan="3">CONTACT BLOCK TERMINALS</th></tr> <tr><th>POSITION</th><th>1/2</th><th>3/4</th></tr> <tr><td>LEFT</td><td>X</td><td></td></tr> <tr><td>CENTER</td><td></td><td></td></tr> <tr><td>RIGHT</td><td></td><td>X</td></tr> </table>	CONTACT BLOCK TERMINALS			POSITION	1/2	3/4	LEFT	X		CENTER			RIGHT		X	3 POS. ONE POLE DOUBLE THROW w/ OFF
CONTACT BLOCK TERMINALS																				
POSITION	1/2	3/4																		
LEFT	X																			
CENTER																				
RIGHT		X																		

GZ 3 POSITION KEY SELECTOR SWITCH MAINTAINED CONTACT KEY REMOVAL IN CENTER ONLY

GZ28-3C332	GZ8-3C332	GZL83C332	GZXL83C332	ONE POLE DOUBLE THROW
------------	-----------	-----------	------------	-----------------------



CONTROLS
GZ SERIES

KEYED SELECTOR SWITCH CONTROLS MAINTAINED

GZ 3 POSITION KEY SELECTOR SWITCH MAINTAINED CONTACT - NO OFF (SINGLE STACK)					ELECTRICAL DIAGRAM	TYPE OF OPERATION																				
CATALOG NUMBER																										
SHORT 0.98" [25MM] THD. LENGTH	LONG 1.57" [40MM] THD. LENGTH	EXTENDED 2.24" [57MM] THD. LENGTH	2X LONG 2.62" [67MM] THD. LENGTH																							
GZ28-3G3	GZ8-3G3	GZL83G3	GZXL83G3		<table border="1"> <thead> <tr> <th colspan="4">CONTACT BLOCK TERMINALS</th> </tr> <tr> <th>POSITION</th> <th>1/2</th> <th>3/4</th> <th>5/6</th> </tr> </thead> <tbody> <tr> <td>LEFT</td> <td>X</td> <td></td> <td></td> </tr> <tr> <td>CENTER</td> <td></td> <td>X</td> <td></td> </tr> <tr> <td>RIGHT</td> <td></td> <td></td> <td>X</td> </tr> </tbody> </table>	CONTACT BLOCK TERMINALS				POSITION	1/2	3/4	5/6	LEFT	X			CENTER		X		RIGHT			X	3 POS. ONE POLE NO OFF, 1 N.C. IN POSITION 1,2,3
CONTACT BLOCK TERMINALS																										
POSITION	1/2	3/4	5/6																							
LEFT	X																									
CENTER		X																								
RIGHT			X																							

GZ 2 POSITION KEY SELECTOR SWITCH MAINTAINED CONTACT (DOUBLE STACK)					ELECTRICAL DIAGRAM	TYPE OF OPERATION																				
CATALOG NUMBER																										
SHORT 0.98" [25MM] THD. LENGTH	LONG 1.57" [40MM] THD. LENGTH	EXTENDED 2.24" [57MM] THD. LENGTH	2X LONG 2.62" [67MM] THD. LENGTH																							
GZ28-2A8	GZ8-2A8	GZL82A8	GZXL82A8		<table border="1"> <thead> <tr> <th colspan="5">CONTACT BLOCK TERMINALS</th> </tr> <tr> <th>POSITION</th> <th>1/2</th> <th>3/4</th> <th>5/6</th> <th>7/8</th> </tr> </thead> <tbody> <tr> <td>LEFT</td> <td>X</td> <td></td> <td>X</td> <td></td> </tr> <tr> <td>RIGHT</td> <td></td> <td>X</td> <td></td> <td>X</td> </tr> </tbody> </table>	CONTACT BLOCK TERMINALS					POSITION	1/2	3/4	5/6	7/8	LEFT	X		X		RIGHT		X		X	2 POS. TWO POLE DOUBLE THROW
CONTACT BLOCK TERMINALS																										
POSITION	1/2	3/4	5/6	7/8																						
LEFT	X		X																							
RIGHT		X		X																						

GZ 3 POSITION KEY SELECTOR SWITCH MAINTAINED CONTACT (DOUBLE STACK)					ELECTRICAL DIAGRAM	TYPE OF OPERATION																									
CATALOG NUMBER																															
SHORT 0.98" [25MM] THD. LENGTH	LONG 1.57" [40MM] THD. LENGTH	EXTENDED 2.24" [57MM] THD. LENGTH	2X LONG 2.62" [67MM] THD. LENGTH																												
GZ28-3C8	GZ8-3C8	GZL83C8	GZXL83C8		<table border="1"> <thead> <tr> <th colspan="5">CONTACT BLOCK TERMINALS</th> </tr> <tr> <th>POSITION</th> <th>1/2</th> <th>3/4</th> <th>5/6</th> <th>7/8</th> </tr> </thead> <tbody> <tr> <td>LEFT</td> <td>X</td> <td></td> <td>X</td> <td></td> </tr> <tr> <td>CENTER</td> <td></td> <td></td> <td></td> <td></td> </tr> <tr> <td>RIGHT</td> <td></td> <td>X</td> <td></td> <td>X</td> </tr> </tbody> </table>	CONTACT BLOCK TERMINALS					POSITION	1/2	3/4	5/6	7/8	LEFT	X		X		CENTER					RIGHT		X		X	3 POS. TWO POLE DOUBLE THROW w/ OFF
CONTACT BLOCK TERMINALS																															
POSITION	1/2	3/4	5/6	7/8																											
LEFT	X		X																												
CENTER																															
RIGHT		X		X																											

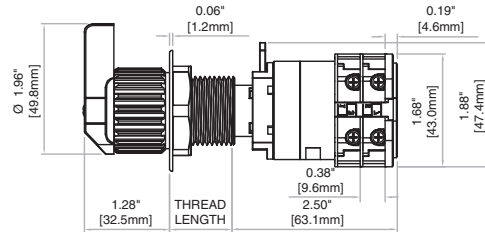
GZ 3 POSITION KEY SELECTOR SWITCH MAINTAINED CONTACT - NO OFF (DOUBLE STACK)					ELECTRICAL DIAGRAM	TYPE OF OPERATION																																								
CATALOG NUMBER																																														
SHORT 0.98" [25MM] THD. LENGTH	LONG 1.57" [40MM] THD. LENGTH	EXTENDED 2.24" [57MM] THD. LENGTH	2X LONG 2.62" [67MM] THD. LENGTH																																											
GZ28-3G8	GZ8-3G8	GZL83G8	GZXL83G8		<table border="1"> <thead> <tr> <th colspan="8">CONTACT BLOCK TERMINALS</th> </tr> <tr> <th>POSITION</th> <th>1/2</th> <th>3/4</th> <th>5/6</th> <th>7/8</th> <th>9/10</th> <th>11/12</th> <th></th> </tr> </thead> <tbody> <tr> <td>LEFT</td> <td>X</td> <td></td> <td></td> <td>X</td> <td></td> <td></td> <td></td> </tr> <tr> <td>CENTER</td> <td></td> <td>X</td> <td></td> <td></td> <td>X</td> <td></td> <td></td> </tr> <tr> <td>RIGHT</td> <td></td> <td></td> <td>X</td> <td></td> <td></td> <td>X</td> <td></td> </tr> </tbody> </table>	CONTACT BLOCK TERMINALS								POSITION	1/2	3/4	5/6	7/8	9/10	11/12		LEFT	X			X				CENTER		X			X			RIGHT			X			X		3 POS. TWO POLE NO OFF, 2 N.C. IN POSITION 1,2,3
CONTACT BLOCK TERMINALS																																														
POSITION	1/2	3/4	5/6	7/8	9/10	11/12																																								
LEFT	X			X																																										
CENTER		X			X																																									
RIGHT			X			X																																								



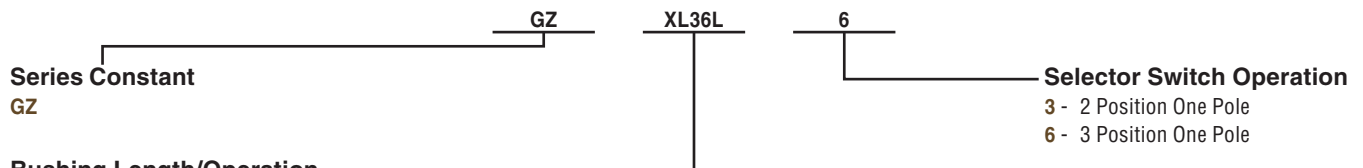
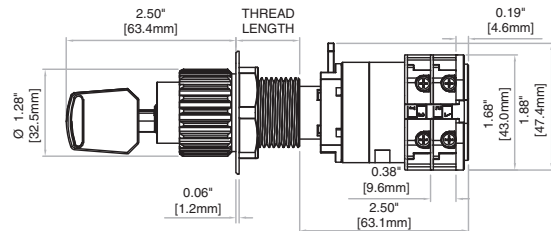
SELECTOR SWITCH CONTROLS SPRING RETURN



SELECTOR SWITCH SPRING RETURN



KEY SELECTOR SWITCH SPRING RETURN



- | | | |
|--|--|---|
| <p>26 - Momentary Right 2 Position Selector Switch, 25mm(.94") Short/Normal</p> <p>6 - Momentary 2 Position Right Selector Switch, 40mm(1.57") Long</p> <p>L6 - Momentary 2 Position Right Selector Switch, 57mm(2.24") Extended</p> <p>XL6 - Momentary 2 Position Right Selector Switch, 67mm(2.63") 2X Long</p> <p>35 - Momentary Left Maintained Right 3 Position Selector Switch, 25mm(.94") Short/Normal</p> <p>15 - Momentary Left Maintained Right 3 Position Selector Switch, 40mm(1.57") Long</p> <p>L15 - Momentary Left Maintained Right 3 Position Selector Switch, 57mm(2.24") Extended</p> <p>XL15 - Momentary Left Maintained Right 3 Position Selector Switch, 67mm(2.63") 2X Long</p> <p>27 - Momentary Left & Right 3 Position Selector Switch, 25mm(.94") Short/Normal</p> <p>7 - Momentary Left & Right 3 Position Selector Switch, 40mm(1.57") Long</p> <p>L7 - Momentary Left & Right 3 Position Selector Switch, 57mm(2.24") Extended</p> <p>XL7 - Momentary Left & Right 3 Position Selector Switch, 67mm(2.63") 2X Long</p> | <p>34 - Momentary Right Maintained Left 3 Position Selector Switch, 25mm(.94") Short/Normal</p> <p>14 - Momentary Right Maintained Left 3 Position Selector Switch, 40mm(1.57") Long</p> <p>L14 - Momentary Right Maintained Left 3 Position Selector Switch, 57mm(2.24") Extended</p> <p>XL14 - Momentary Right Maintained Left 3 Position Selector Switch, 67mm(2.63") 2X Long</p> <p>56-2L - Momentary Right 2 Position Keyed Selector Switch, 25mm(.94") Short/Normal</p> <p>36-2L - Momentary 2 Position Right Keyed Selector Switch, 40mm(1.57") Long</p> <p>L36L - Momentary 2 Position Right Keyed Selector Switch, 57mm(2.24") Extended</p> <p>XL36L - Momentary 2 Position Right Keyed Selector Switch, 67mm(2.63") 2X Long</p> <p>59-3R - Momentary Left Maintained Right 3 Position Keyed Selector Switch, 25mm(.94") Short/Normal</p> <p>39-3R - Momentary Left Maintained Right 3 Position Keyed Selector Switch, 40mm(1.57") Long</p> <p>L39R - Momentary Left Maintained Right 3 Position Keyed Selector Switch, 57mm(2.24") Extended</p> | <p>XL39R - Momentary Left Maintained Right 3 Position Keyed Selector Switch, 67mm(2.63") 2X Long</p> <p>57-3C - Momentary Left & Right 3 Position Keyed Selector Switch, 25mm(.94") Short/Normal</p> <p>37-3C - Momentary Left & Right 3 Position Keyed Selector Switch, 40mm(1.57") Long</p> <p>L37C - Momentary Left & Right 3 Position Keyed Selector Switch, 57mm(2.24") Extended</p> <p>XL37C - Momentary Left & Right 3 Position Keyed Selector Switch, 67mm(2.63") 2X Long</p> <p>58 - 3L-Momentary Right Maintained Left 3 Position Keyed Selector Switch, 25mm(.94") Short/Normal</p> <p>38 - 3L-Momentary Right Maintained Left 3 Position Keyed Selector Switch, 40mm(1.57") Long</p> <p>L38L - Momentary Right Maintained Left 3 Position Keyed Selector Switch, 57mm(2.24") Extended</p> <p>XL38L - Momentary Right Maintained Left 3 Position Keyed Selector Switch, 67mm(2.63") 2X Long</p> |
|--|--|---|



CONTROLS
GZ SERIES

SELECTOR SWITCH CONTROLS SPRING RETURN

GZ 2 POSITION SELECTOR SWITCH SPRING RETURN																					
CATALOG NUMBER				ELECTRICAL DIAGRAM	TYPE OF OPERATION																
SHORT 0.98" [25MM] THD. LENGTH	LONG 1.57" [40MM] THD. LENGTH	EXTENDED 2.24" [57MM] THD. LENGTH	2X LONG 2.62" [67MM] THD. LENGTH																		
GZ26-3	GZ6-3	GZL63	GZXL63	<table border="1"> <thead> <tr> <th colspan="4">CONTACT BLOCK TERMINALS</th> </tr> <tr> <th>POSITION</th> <th>1/2</th> <th colspan="2">3/4</th> </tr> </thead> <tbody> <tr> <td>LEFT</td> <td>X</td> <td></td> <td></td> </tr> <tr> <td>RIGHT</td> <td></td> <td></td> <td>X</td> </tr> </tbody> </table>	CONTACT BLOCK TERMINALS				POSITION	1/2	3/4		LEFT	X			RIGHT			X	2 POSITION MOMENTARY RIGHT
CONTACT BLOCK TERMINALS																					
POSITION	1/2	3/4																			
LEFT	X																				
RIGHT			X																		

GZ 3 POSITION SELECTOR SWITCH SPRING RETURN																									
CATALOG NUMBER				ELECTRICAL DIAGRAM	TYPE OF OPERATION																				
SHORT 0.98" [25MM] THD. LENGTH	LONG 1.57" [40MM] THD. LENGTH	EXTENDED 2.24" [57MM] THD. LENGTH	2X LONG 2.62" [67MM] THD. LENGTH																						
GZ35-6	GZ15-6	GZL156	GZXL156	<table border="1"> <thead> <tr> <th colspan="4">CONTACT BLOCK TERMINALS</th> </tr> <tr> <th>POSITION</th> <th>1/2</th> <th colspan="2">3/4</th> </tr> </thead> <tbody> <tr> <td>LEFT</td> <td></td> <td>X</td> <td></td> </tr> <tr> <td>CENTER</td> <td></td> <td></td> <td></td> </tr> <tr> <td>RIGHT</td> <td></td> <td></td> <td>X</td> </tr> </tbody> </table>	CONTACT BLOCK TERMINALS				POSITION	1/2	3/4		LEFT		X		CENTER				RIGHT			X	3 POS. SPRING TO CENTER FROM LEFT, MAINT. RIGHT
CONTACT BLOCK TERMINALS																									
POSITION	1/2	3/4																							
LEFT		X																							
CENTER																									
RIGHT			X																						
GZ27-6	GZ7-6	GZL76	GZXL76	<table border="1"> <thead> <tr> <th colspan="4">CONTACT BLOCK TERMINALS</th> </tr> <tr> <th>POSITION</th> <th>1/2</th> <th colspan="2">3/4</th> </tr> </thead> <tbody> <tr> <td>LEFT</td> <td>X</td> <td></td> <td></td> </tr> <tr> <td>CENTER</td> <td></td> <td></td> <td></td> </tr> <tr> <td>RIGHT</td> <td></td> <td></td> <td>X</td> </tr> </tbody> </table>	CONTACT BLOCK TERMINALS				POSITION	1/2	3/4		LEFT	X			CENTER				RIGHT			X	3 POS. SPRING TO CENTER FROM LEFT AND RIGHT
CONTACT BLOCK TERMINALS																									
POSITION	1/2	3/4																							
LEFT	X																								
CENTER																									
RIGHT			X																						
GZ34-6	GZ14-6	GZL146	GZXL146	<table border="1"> <thead> <tr> <th colspan="4">CONTACT BLOCK TERMINALS</th> </tr> <tr> <th>POSITION</th> <th>1/2</th> <th colspan="2">3/4</th> </tr> </thead> <tbody> <tr> <td>LEFT</td> <td>X</td> <td></td> <td></td> </tr> <tr> <td>CENTER</td> <td></td> <td></td> <td></td> </tr> <tr> <td>RIGHT</td> <td></td> <td></td> <td>X</td> </tr> </tbody> </table>	CONTACT BLOCK TERMINALS				POSITION	1/2	3/4		LEFT	X			CENTER				RIGHT			X	3 POS. SPRING TO CENTER FROM RIGHT, MAINT. LEFT
CONTACT BLOCK TERMINALS																									
POSITION	1/2	3/4																							
LEFT	X																								
CENTER																									
RIGHT			X																						



SELECTOR SWITCH CONTROLS SPRING RETURN

GZ 2 POSITION KEY SELECTOR SWITCH SPRING RETURN																	
CATALOG NUMBER				ELECTRICAL DIAGRAM	TYPE OF OPERATION												
SHORT 0.98" [25MM] THD. LENGTH	LONG 1.57" [40MM] THD. LENGTH	EXTENDED 2.24" [57MM] THD. LENGTH	2X LONG 2.62" [67MM] THD. LENGTH														
GZ56-2L3	GZ36-2L3	GZL36L3	GZXL36L3	<table border="1"> <thead> <tr> <th colspan="3">CONTACT BLOCK TERMINALS</th> </tr> <tr> <th>POSITION</th> <th>1/2</th> <th>3/4</th> </tr> </thead> <tbody> <tr> <td>LEFT</td> <td>X</td> <td></td> </tr> <tr> <td>RIGHT</td> <td></td> <td>X</td> </tr> </tbody> </table>	CONTACT BLOCK TERMINALS			POSITION	1/2	3/4	LEFT	X		RIGHT		X	2 POSITION MOMENTARY RIGHT
CONTACT BLOCK TERMINALS																	
POSITION	1/2	3/4															
LEFT	X																
RIGHT		X															

GZ 3 POSITION KEY SELECTOR SWITCH SPRING RETURN																				
CATALOG NUMBER				ELECTRICAL DIAGRAM	TYPE OF OPERATION															
SHORT 0.98" [25MM] THD. LENGTH	LONG 1.57" [40MM] THD. LENGTH	EXTENDED 2.24" [57MM] THD. LENGTH	2X LONG 2.62" [67MM] THD. LENGTH																	
GZ59-3R6	GZ39-3R6	GZL39R6	GZXL39R6	<table border="1"> <thead> <tr> <th colspan="3">CONTACT BLOCK TERMINALS</th> </tr> <tr> <th>POSITION</th> <th>1/2</th> <th>3/4</th> </tr> </thead> <tbody> <tr> <td>LEFT</td> <td>X</td> <td></td> </tr> <tr> <td>CENTER</td> <td></td> <td></td> </tr> <tr> <td>RIGHT</td> <td></td> <td>X</td> </tr> </tbody> </table>	CONTACT BLOCK TERMINALS			POSITION	1/2	3/4	LEFT	X		CENTER			RIGHT		X	3 POS. SPRING TO CENTER FROM LEFT, MAINT. RIGHT
CONTACT BLOCK TERMINALS																				
POSITION	1/2	3/4																		
LEFT	X																			
CENTER																				
RIGHT		X																		
GZ57-3C6	GZ37-3C6	GZL37C6	GZXL37C6	<table border="1"> <thead> <tr> <th colspan="3">CONTACT BLOCK TERMINALS</th> </tr> <tr> <th>POSITION</th> <th>1/2</th> <th>3/4</th> </tr> </thead> <tbody> <tr> <td>LEFT</td> <td>X</td> <td></td> </tr> <tr> <td>CENTER</td> <td></td> <td></td> </tr> <tr> <td>RIGHT</td> <td></td> <td>X</td> </tr> </tbody> </table>	CONTACT BLOCK TERMINALS			POSITION	1/2	3/4	LEFT	X		CENTER			RIGHT		X	3 POS. SPRING TO CENTER FROM LEFT AND RIGHT
CONTACT BLOCK TERMINALS																				
POSITION	1/2	3/4																		
LEFT	X																			
CENTER																				
RIGHT		X																		
GZ58-3L6	GZ38-3L6	GZL38L6	GZXL38L6	<table border="1"> <thead> <tr> <th colspan="3">CONTACT BLOCK TERMINALS</th> </tr> <tr> <th>POSITION</th> <th>1/2</th> <th>3/4</th> </tr> </thead> <tbody> <tr> <td>LEFT</td> <td>X</td> <td></td> </tr> <tr> <td>CENTER</td> <td></td> <td></td> </tr> <tr> <td>RIGHT</td> <td></td> <td>X</td> </tr> </tbody> </table>	CONTACT BLOCK TERMINALS			POSITION	1/2	3/4	LEFT	X		CENTER			RIGHT		X	3 POS. SPRING TO CENTER FROM RIGHT, MAINT. LEFT
CONTACT BLOCK TERMINALS																				
POSITION	1/2	3/4																		
LEFT	X																			
CENTER																				
RIGHT		X																		

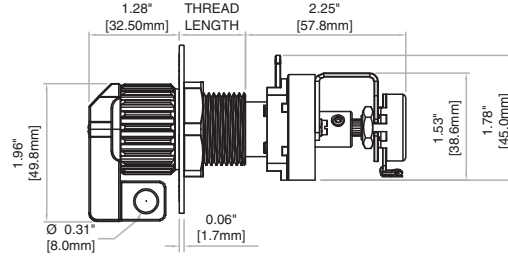


CONTROLS
GZ SERIES

POTENTIOMETERS SINGLE TURN



SINGLE TURN POTENTIOMETER



GZ133, GZ113, GZL113, GZXL113

Series Constant	Bushing Length/Operation		Potentiometer Resistance
	GZ	XL113	
GZ	133 - Potentiometer Single Turn, 25mm(.94") Short/Normal		2K2 - 2200 Ohms
	113 - Potentiometer Single Turn, 40mm(1.57") Long		4K7 - 4700 Ohms
	L113 - Potentiometer Single Turn, 57mm(2.24") Extended		10K - 10,000 Ohms
	XL113 - Potentiometer Single Turn, 67mm(2.63") 2X Long		220R - 220 Ohms
			470R - 470 Ohms
			1K - 1,000 Ohms
			22K - 22,000 Ohms
			47K - 47,000 Ohms
			100K - 100,000 Ohms
			220K - 220,000 Ohms
			470K - 470,000 Ohms
			1M - 1,000,000 Ohms

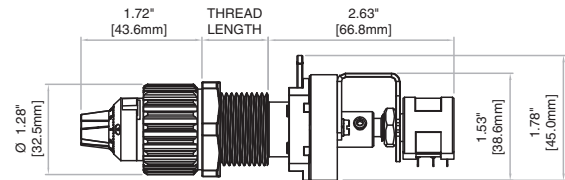
POTENTIOMETERS SINGLE TURN					
CATALOG NUMBER				POTENTIOMETER RESISTANCE (OHMS)	POTENTIOMETER (ELECTRICAL DEVICE)
SHORT 0.98" [25MM] THD. LENGTH	LONG 1.57" [40MM] THD. LENGTH	EXTENDED 2.24" [57MM] THD. LENGTH	2X LONG 2.62" [67MM] THD. LENGTH		
GZ133-2K2	GZ113-2K2	GZL113-2K2	GZXL113-2K2	2.2KΩ	GZ-POTST-2.2
GZ133-4K7	GZ113-4K7	GZL113-4K7	GZXL113-4K7	4.7KΩ	GZ-POTST-4.7
GZ133-10K	GZ113-10K	GZL113-10K	GZXL113-10K	10KΩ	GZ-POTST-10
GZ133-220R	GZ113-220R	GZL113-220R	GZXL113-220R	220Ω	GZ-POTST-220
GZ133-470R	GZ113-470R	GZL113-470R	GZXL113-470R	470Ω	GZ-POTST-470
GZ133-1K	GZ113-1K	GZL113-1K	GZXL113-1K	1KΩ	GZ-POTST-1
GZ133-22K	GZ113-22K	GZL113-22K	GZXL113-22K	22KΩ	GZ-POTST-22
GZ133-47K	GZ113-47K	GZL113-47K	GZXL113-47K	47KΩ	GZ-POTST-47
GZ133-100K	GZ113-100K	GZL113-100K	GZXL113-100K	100KΩ	GZ-POTST-100
GZ133-220K	GZ113-220K	GZL113-220K	GZXL113-220K	220KΩ	GZ-POTST-220
GZ133-470K	GZ113-470K	GZL113-470K	GZXL113-470K	470KΩ	GZ-POTST-470
GZ133-1M	GZ113-1M	GZL113-1M	GZXL113-1M	1MΩ	GZ-POTST-1M



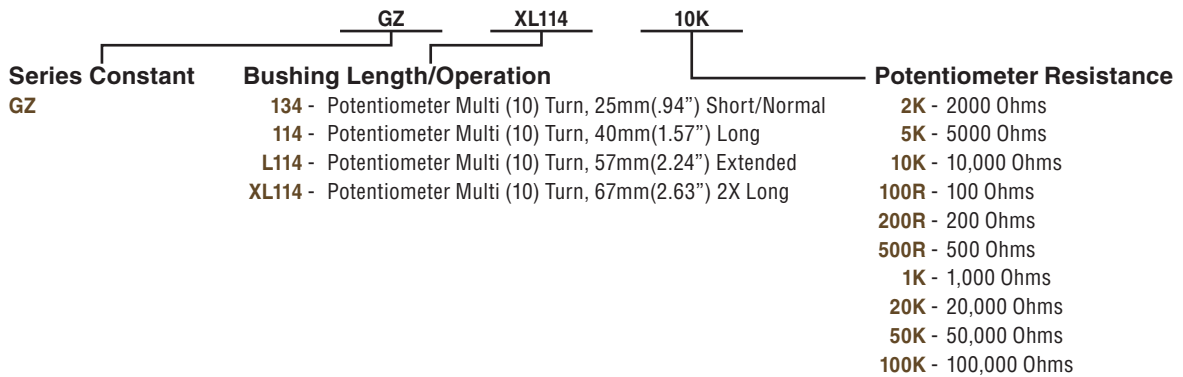
POTENTIOMETERS MULTI (10) TURN



10 TURN POTENTIOMETER



GZ134, GZ114, GZL114, GZXL114



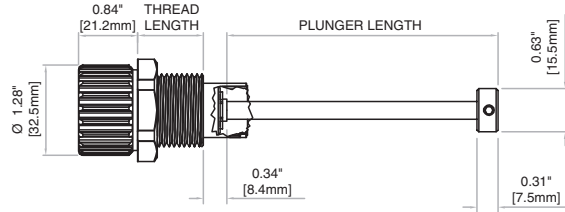
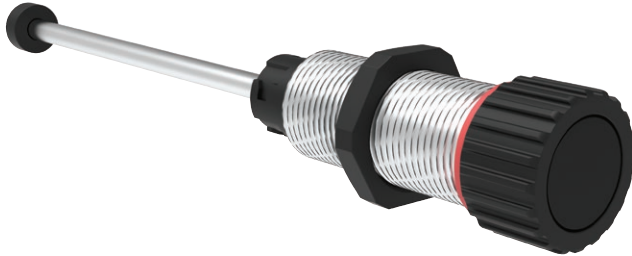
POTENTIOMETERS 10 TURN

CATALOG NUMBER				POTENTIOMETER RESISTANCE (OHMS)	POTENTIOMETER (ELECTRICAL DEVICE)
SHORT 0.98" [25MM] THD. LENGTH	LONG 1.57" [40MM] THD. LENGTH	EXTENDED 2.24" [57MM] THD. LENGTH	2X LONG 2.62" [67MM] THD. LENGTH		
GZ134-2K	GZ114-2K	GZL114-2K	GZXL114-2K	2KΩ	GZ-POTMT-2
GZ134-5K	GZ114-5K	GZL114-5K	GZXL114-5K	5KΩ	GZ-POTMT-5
GZ134-10K	GZ114-10K	GZL114-10K	GZXL114-10K	10KΩ	GZ-POTMT-10
GZ134-100R	GZ114-100R	GZL114-100R	GZXL114-100R	100Ω	GZ-POTMT-100R
GZ134-200R	GZ114-200R	GZL114-200R	GZXL114-200R	200Ω	GZ-POTMT-200R
GZ134-500R	GZ114-500R	GZL114-500R	GZXL114-500R	500Ω	GZ-POTMT-500R
GZ134-1K	GZ114-1K	GZL114-1K	GZXL114-1K	1KΩ	GZ-POTMT-1
GZ134-20K	GZ114-20K	GZL114-20K	GZXL114-20K	20KΩ	GZ-POTMT-20
GZ134-50K	GZ114-50K	GZL114-50K	GZXL114-50K	50KΩ	GZ-POTMT-50
GZ134-100K	GZ114-100K	GZL114-100K	GZXL114-100K	100KΩ	GZ-POTMT-100



CONTROLS
GZ SERIES

RESET BUTTON



GZ-RST, GZLRST, GZXLRST

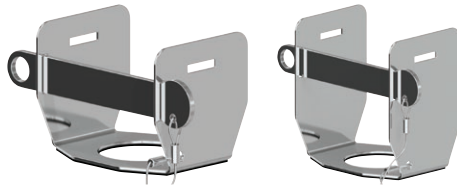
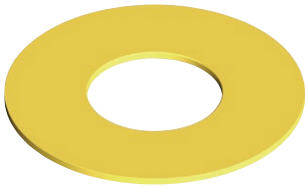
Series Constant	Bushing Length/Operation	Operator Color	Shaft Length
GZ	RST - Reset Button, 40mm(1.57") Long	KX - Black	100 - 100mm
	LRST - Reset Button, 57mm(2.24") Extended	AX - Amber	120 - 120mm
	XLRST - Reset Button, 67mm(2.63") 2X Long	WX - White	300 - 300mm
		BX - Blue	
		RX - Red	
		GX - Green	

RESET BUTTON				
LONG 1.57" (40MM) THREAD LENGTH	EXTENDED 2.24" (57MM) THREAD LENGTH	2X LONG 2.62" (67MM) THREAD LENGTH	BUTTON COLOR	SHAFT LENGTH
GZ-RST-KX100	GZLRST-KX100	GZXLRST-KX100	BLACK	100 mm
GZ-RST-KX120	GZLRST-KX120	GZXLRST-KX120	BLACK	120 mm
GZ-RST-KX300	GZLRST-KX300	GZXLRST-KX300	BLACK	300 mm
GZ-RST-AX100	GZLRST-AX100	GZXLRST-AX100	AMBER	100 mm
GZ-RST-AX120	GZLRST-AX120	GZXLRST-AX120	AMBER	120 mm
GZ-RST-AX300	GZLRST-AX300	GZXLRST-AX300	AMBER	300 mm
GZ-RST-WX100	GZLRST-WX100	GZXLRST-WX100	WHITE	100 mm
GZ-RST-WX120	GZLRST-WX120	GZXLRST-WX120	WHITE	120 mm
GZ-RST-WX300	GZLRST-WX300	GZXLRST-WX300	WHITE	300 mm
GZ-RST-BX100	GZLRST-BX100	GZXLRST-BX100	BLUE	100 mm
GZ-RST-BX120	GZLRST-BX120	GZXLRST-BX120	BLUE	120 mm
GZ-RST-BX300	GZLRST-BX300	GZXLRST-BX300	BLUE	300 mm
GZ-RST-RX100	GZLRST-RX100	GZXLRST-RX100	RED	100 mm
GZ-RST-RX120	GZLRST-RX120	GZXLRST-RX120	RED	120 mm
GZ-RST-RX300	GZLRST-RX300	GZXLRST-RX300	RED	300 mm
GZ-RST-GX100	GZLRST-GX100	GZXLRST-GX100	GREEN	100 mm
GZ-RST-GX120	GZLRST-GX120	GZXLRST-GX120	GREEN	120 mm
GZ-RST-GX300	GZLRST-GX300	GZXLRST-GX300	GREEN	300 mm

Plunger Length can be shortened as required in the field.



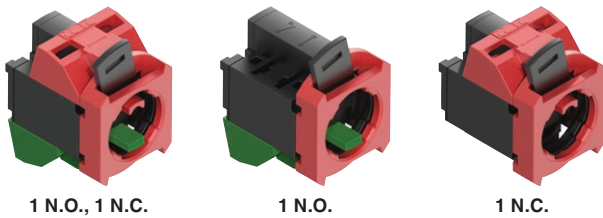
ACCESSORIES



MUSHROOM PUSH BUTTON ACCESSORIES		
YELLOW BACKPLATE FOR ESTOP	LOCKOUT FOR GZMP, GZMM (PUSH-PULL)	LOCKOUT FOR GZMT (PUSH-TWIST)
GZMRYLBP	GZMRPPBLO	GZMRTPBLO

Stainless Steel Lockouts allow button to be locked out in either position.

MOMENTARY PUSH BUTTON ACCESSORIES	
DEPRESSED LOCKOUT FOR GZ21, GZ1, GZL1, GZXL1	COVERED LOCKOUT FOR GZ21, GZ1, GZL1, GZXL1
GZPBMMDHLO	GZPBMMRHLO



1 N.O., 1 N.C.

1 N.O.

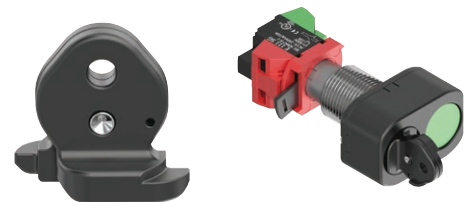
1 N.C.

GZ ADDER CONTACT BLOCKS - TWO BLOCKS MAX.		
CATALOG NUMBER	DESCRIPTION	COLOR CODE
SGE-E111SG	1 N.O. / 1 N.C.	Red / Green
SGE-E110SG	1 N.O.	Green
SGE-E101SG	1 N.C.	Red
SGE-E120SG	2 N.O.	Green
SGE-E102SG	2 N.C.	Red
SGE-E111S	1NO (Early Make) / 1NC (Late Break)	Red / Green
SGE-E120S	1NO (Early Make) / 1NO (Standard Make)	Green
SGE-E102S	1NC (Late Break) / 1NC (Standard Break)	Red

Contact Blocks come with longer screws and installation instructions for stacking of contact blocks.

ROTARY SWITCH CONTACT BLOCKS	
CATALOG NUMBER	DESCRIPTION
SGE-GIN1220	2-Position, One-Pole, Double Throw
SGE-GIN2220	2-Position, Two-Pole, Double Throw
SGE-GRC1320SJ	3-Position, One-Pole, Double Throw with Off
SGE-GRC2320SJ	3-Position, Two-Pole, Double Throw with Off
SGE-GRS1220SJ	2-Position, One-Pole, Double Throw without Off
SGE-GRS2220SJ	2-Position, Two-Pole, Double Throw without Off
SGE-GRSE1220SJ	2-Position, Spring Return to Left, One-Pole, Double Throw
SGE-GRIE1320SJ	3-Position, Momentary Left / Maintained Center and Right, One-Pole, Double Throw with Off
SGE-GRP1320SJ	3-Position, Momentary Left and Right / Maintained Center, One-Pole, Double Throw with Off
SGE-GRID1320SJ	3-Position, Momentary Right / Maintained Center and Left, One-Pole, Double Throw with Off

MISCELLANEOUS ACCESSORIES	
CATALOG NUMBER	DESCRIPTION
GZDBLPBMMDO	Depressed Lockout for Momentary Double Pushbutton
GZSSLO	Lockout for Non-Keyed Selector Switches
GZ-NP	Replacement Nameplate, Aluminum, Blank (Indicate marking if required.)
GZ-RG	Replacement Gasket
GO-RL	Sealing Locknut
GZ-S2CPG	Protective Silicone Boot (Standard Size Momentary Pushbuttons)
GZ-S2CPGBIG	Protective Silicone Boot (Big Size Momentary Pushbuttons)
GZ-RK0	Keyed-Alike Standard Replacement Key - 1 Pair
GZ-RKx	Keyed-Different Replacement Key - 1 Pair (Replace "x" with 1-12 for corresponding key.)
GOMLOCK	Lock Out for Standard Size Momentary & Maintained Push Buttons
GOMSRD	Shroud for Standard Size Maintained Mushroom Head (Yellow)



GZDBLPBMMDO



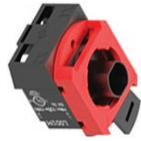
GZSSLO

GOMLOCK

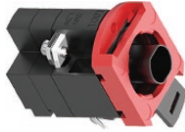


CONTROLS
GZ SERIES

ACCESSORIES



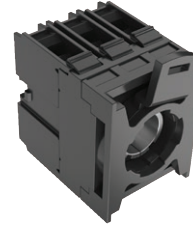
12/24/120V Socket



240V Socket



480V Socket

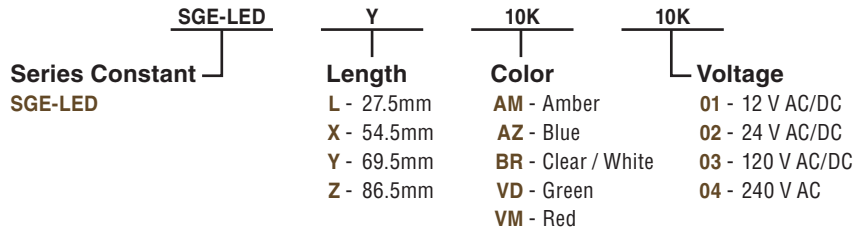


Illuminated Push Button Assembly

PILOT LIGHT AND ILLUMINATED PUSH BUTTON ACCESSORIES	
CATALOG NUMBER	DESCRIPTION
SGE-L001SG	Pilot Light Socket Only (12/24/120V AC/DC)
SGE-LC240SG	Pilot Light Socket Only (240V AC)
SGE-LC480SG	Pilot Light Socket Only (480V AC)
SGE-C11L	Illuminated Push Button Contact Assembly (Socket / 1 N.O. / 1 N.C.)
SGE-CLP001	Illuminated Push Button Socket Only
SGE-CLP101	1NC Contact (Red Plunger)
SGE-CLP110	1NO Contact (Green Plunger)
GZLENS-A	Replacement Lens (Amber)
GZLENS-B	Replacement Lens (Blue)
GZLENS-C	Replacement Lens (Clear)
GZLENS-G	Replacement Lens (Green)
GZLENS-R	Replacement Lens (Red)

Contact Blocks may be stacked up to 6 blocks deep (dependent on size of enclosure).

GZ REPLACEMENT LED LAMP CATALOG LOGIC



Note: *240 and 480V Pilot Lights utilize the 120V LED lamp with step-down transformers in the socket.



GZ REPLACEMENT LED LAMPS

LED LAMP PART #	DESCRIPTION	GZ OPERATOR	LED LAMP PART #	DESCRIPTION	GZ OPERATOR	LED LAMP PART #	DESCRIPTION	GZ OPERATOR
SGE-LEDLAM01	LED Lamp, Amber, Length = 27.5 mm, 12 V AC/DC	GZ23-A12 GZB3-A12	SGE-LEDXAZ03	LED Lamp, Blue, Length = 54.5 mm, 120 V AC/DC	GZL3B23 GZL3B24 GZL3B48 GZ24-B233	SGE-LEDYBR04	LED Lamp, White, Length = 69.5 mm, 240 V AC/DC	GZB4-C243
SGE-LEDLAM02	LED Lamp, Amber, Length = 27.5 mm, 24 V AC/DC	GZ23-A4 GZB3-A4	SGE-LEDXAZ04	LED Lamp, Blue, Length = 54.5 mm, 240 V AC/DC	GZ24-B243	SGE-LEDYVD01	LED Lamp, Green, Length = 69.5 mm, 12 V AC/DC	GZXL3G12 GZB4-G123
SGE-LEDLAM03	LED Lamp, Amber, Length = 27.5 mm, 120 V AC/DC	GZ23-A23 GZB3-A23 GZ23-A24 GZB3-A24 GZ23-A48 GZB3-A48	SGE-LEDXBR01	LED Lamp, White, Length = 54.5 mm, 12 V AC/DC	GZL3C12 GZ24-C123	SGE-LEDYVD02	LED Lamp, Green, Length = 69.5 mm, 24 V AC/DC	GZXL3G4 GZB4-G43
SGE-LEDLAZ01	LED Lamp, Blue, Length = 27.5 mm, 12 V AC/DC	GZ23-B12 GZB3-B12	SGE-LEDXBR02	LED Lamp, White, Length = 54.5 mm, 24 V AC/DC	GZL3C4 GZ24-C43	SGE-LEDYVD03	LED Lamp, Green, Length = 69.5 mm, 120 V AC/DC	GZXL3G23 GZXL3G24 GZXL3G48 GZB4-G233
SGE-LEDLAZ02	LED Lamp, Blue, Length = 27.5 mm, 24 V AC/DC	GZ23-B4 GZB3-B4	SGE-LEDXBR03	LED Lamp, White, Length = 54.5 mm, 120 V AC/DC	GZL3C23 GZL3C24 GZL3C48 GZ24-C233	SGE-LEDYVD04	LED Lamp, Green, Length = 69.5 mm, 240 V AC/DC	GZB4-G243
SGE-LEDLAZ03	LED Lamp, Blue, Length = 27.5 mm, 120 V AC/DC	GZ23-B23 GZB3-B23 GZ23-B24 GZB3-B24 GZ23-B48 GZB3-B48	SGE-LEDXBR04	LED Lamp, White, Length = 54.5 mm, 240 V AC/DC	GZ24-C243	SGE-LEDYVM01	LED Lamp, Red, Length = 69.5 mm, 12 V AC/DC	GZXL3R12 GZB4-R123
SGE-LEDLBR01	LED Lamp, White, Length = 27.5 mm, 12 V AC/DC	GZ23-C12 GZB3-C12	SGE-LEDXVD01	LED Lamp, Green, Length = 54.5 mm, 12 V AC/DC	GZL3G12 GZ24-G123	SGE-LEDYVM02	LED Lamp, Red, Length = 69.5 mm, 24 V AC/DC	GZXL3R4 GZB4-R43
SGE-LEDLBR02	LED Lamp, White, Length = 27.5 mm, 24 V AC/DC	GZ23-C4 GZB3-C4	SGE-LEDXVD02	LED Lamp, Green, Length = 54.5 mm, 24 V AC/DC	GZL3G4 GZ24-G43	SGE-LEDYVM03	LED Lamp, Red, Length = 69.5 mm, 120 V AC/DC	GZXL3R23 GZXL3R24 GZXL3R48 GZB4-R233
SGE-LEDLBR03	LED Lamp, White, Length = 27.5 mm, 120 V AC/DC	GZ23-C23 GZB3-C23 GZ23-C24 GZB3-C24 GZ23-C48 GZB3-C48	SGE-LEDXVD03	LED Lamp, Green, Length = 54.5 mm, 120 V AC/DC	GZL3G23 GZL3G24 GZL3G48 GZ24-G233	SGE-LEDYVM04	LED Lamp, Red, Length = 69.5 mm, 240 V AC/DC	GZB4-R243
SGE-LEDLVD01	LED Lamp, Green, Length = 27.5 mm, 12 V AC/DC	GZ23-G12 GZB3-G12	SGE-LEDXVD04	LED Lamp, Green, Length = 54.5 mm, 240 V AC/DC	GZ24-G243	SGE-LEDZAM01	LED Lamp, Amber, Length = 86.5 mm, 12 V AC/DC	GZL4A123 GZXL4A123
SGE-LEDLVD02	LED Lamp, Green, Length = 27.5 mm, 24 V AC/DC	GZ23-G4 GZB3-G4	SGE-LEDXVM01	LED Lamp, Red, Length = 54.5 mm, 12 V AC/DC	GZL3R12 GZ24-R123	SGE-LEDZAM02	LED Lamp, Amber, Length = 86.5 mm, 24 V AC/DC	GZL4A43 GZXL4A43
SGE-LEDLVD03	LED Lamp, Green, Length = 27.5 mm, 120 V AC/DC	GZ23-G23 GZB3-G23 GZ23-G24 GZB3-G24 GZ23-G48 GZB3-G48	SGE-LEDXVM02	LED Lamp, Red, Length = 54.5 mm, 24 V AC/DC	GZL3R4 GZ24-R43	SGE-LEDZAM03	LED Lamp, Amber, Length = 86.5 mm, 120 V AC/DC	GZL4A233 GZXL4A233
SGE-LEDLVM01	LED Lamp, Red, Length = 27.5 mm, 12 V AC/DC	GZ23-R12 GZB3-R12	SGE-LEDXVM03	LED Lamp, Red, Length = 54.5 mm, 120 V AC/DC	GZL3R23 GZL3R24 GZL3R48 GZ24-R233	SGE-LEDZAM04	LED Lamp, Amber, Length = 86.5 mm, 240 V AC/DC	GZL4A243 GZXL4A243
SGE-LEDLVM02	LED Lamp, Red, Length = 27.5 mm, 24 V AC/DC	GZ23-R4 GZB3-R4	SGE-LEDXVM04	LED Lamp, Red, Length = 54.5 mm, 240 V AC/DC	GZ24-R243	SGE-LEDZAZ01	LED Lamp, Blue, Length = 86.5 mm, 12 V AC/DC	GZL4B123 GZXL4B123
SGE-LEDLVM03	LED Lamp, Red, Length = 27.5 mm, 120 V AC/DC	GZ23-R23 GZB3-R23 GZ23-R24 GZB3-R24 GZ23-R48 GZB3-R48	SGE-LEDYAM01	LED Lamp, Amber, Length = 69.5 mm, 12 V AC/DC	GZXL3A12 GZB4-A123	SGE-LEDZAZ02	LED Lamp, Blue, Length = 86.5 mm, 24 V AC/DC	GZL4B43 GZXL4B43
SGE-LEDXAM01	LED Lamp, Amber, Length = 54.5 mm, 12 V AC/DC	GZL3A12 GZ24-A123	SGE-LEDYAM02	LED Lamp, Amber, Length = 69.5 mm, 24 V AC/DC	GZXL3A4 GZB4-A43	SGE-LEDZAZ03	LED Lamp, Blue, Length = 86.5 mm, 120 V AC/DC	GZL4B233 GZXL4B233
SGE-LEDXAM02	LED Lamp, Amber, Length = 54.5 mm, 24 V AC/DC	GZL3A4 GZ24-A43	SGE-LEDYAM03	LED Lamp, Amber, Length = 69.5 mm, 120 V AC/DC	GZXL3A23 GZXL3A24 GZXL3A48 GZB4-A233	SGE-LEDZAZ04	LED Lamp, Blue, Length = 86.5 mm, 240 V AC/DC	GZL4B243 GZXL4B243
SGE-LEDXAM03	LED Lamp, Amber, Length = 54.5 mm, 120 V AC/DC	GZL3A23 GZL3A24 GZL3A48 GZ24-A233	SGE-LEDYAM04	LED Lamp, Amber, Length = 69.5 mm, 240 V AC/DC	GZB4-A243	SGE-LEDZBR01	LED Lamp, White, Length = 86.5 mm, 12 V AC/DC	GZL4C123 GZXL4C123
SGE-LEDXAM04	LED Lamp, Amber, Length = 54.5 mm, 240 V AC/DC	GZ24-A243	SGE-LEDYAZ01	LED Lamp, Blue, Length = 69.5 mm, 12 V AC/DC	GZXL3B12 GZB4-B123	SGE-LEDZBR02	LED Lamp, White, Length = 86.5 mm, 24 V AC/DC	GZL4C43 GZXL4C43
SGE-LEDXAZ01	LED Lamp, Blue, Length = 54.5 mm, 12 V AC/DC	GZL3B12 GZ24-B123	SGE-LEDYAZ02	LED Lamp, Blue, Length = 69.5 mm, 24 V AC/DC	GZXL3B4 GZB4-B43	SGE-LEDZBR03	LED Lamp, White, Length = 86.5 mm, 120 V AC/DC	GZL4C233 GZXL4C233
SGE-LEDXAZ02	LED Lamp, Blue, Length = 54.5 mm, 24 V AC/DC	GZL3B4 GZ24-B43	SGE-LEDYAZ03	LED Lamp, Blue, Length = 69.5 mm, 120 V AC/DC	GZXL3B23 GZXL3B24 GZXL3B48 GZB4-B233	SGE-LEDZBR04	LED Lamp, White, Length = 86.5 mm, 240 V AC/DC	GZL4C243 GZXL4C243
			SGE-LEDYAZ04	LED Lamp, Blue, Length = 69.5 mm, 240 V AC/DC	GZB4-B243	SGE-LEDZVD01	LED Lamp, Green, Length = 86.5 mm, 12 V AC/DC	GZL4G123 GZXL4G123
			SGE-LEDYBR01	LED Lamp, White, Length = 69.5 mm, 12 V AC/DC	GZXL3C12 GZB4-C123	SGE-LEDZVD02	LED Lamp, Green, Length = 86.5 mm, 24 V AC/DC	GZL4G43 GZXL4G43
			SGE-LEDYBR02	LED Lamp, White, Length = 69.5 mm, 24 V AC/DC	GZXL3C4 GZB4-C43	SGE-LEDZVD03	LED Lamp, Green, Length = 86.5 mm, 120 V AC/DC	GZL4G233 GZXL4G233
			SGE-LEDYBR03	LED Lamp, White, Length = 69.5 mm, 120 V AC/DC	GZXL3C23 GZXL3C24 GZXL3C48 GZB4-C233	SGE-LEDZVD04	LED Lamp, Green, Length = 86.5 mm, 240 V AC/DC	GZL4G243 GZXL4G243



CONTROLS G SERIES

CUSTOM CONTROL PANEL OPERATORS INTRODUCTION



Class I, Div. 1 & 2, Groups B, C, D
 Class I, Zones 1 & 2, Groups IIB+H₂, IIA
 Class II, Div. 1 & 2, Groups E, F, G
 Class III
 Type 3, 4, 4X
 ATEX-EEExd IIB + H₂ (-CN Configurations)

LISTED - File E12379

Certified - File LR11714

FEATURES-SPECIFICATIONS

Features

- Threaded bodies are all 3/4"-14 NPSM thread
- Key operated selector switches are randomly keyed with keys removable in all positions. Keyed alike or key removable in non-standard positions available from factory.
- Contact blocks can be stacked four deep maximum.

Short Style

SWB/GCS Enclosures. Assemblies with wall thickness up to 1/2" thick.

Long Style

All B7E Enclosures. EXB enclosures with cover thickness up to 1-1/2" thick.

Extended Style

EXB larger size enclosures with cover thickness up to 2-1/2" thick.

Killark long and extended push buttons, selector switches, reset and potentiometer operators are CENELEC/ATEX EEExd IIB+H₂ when installed in series EXB*CEN and GR*CEN enclosures.

For pilot lights and illuminated push buttons in CENELEC/ATEX applications.

Materials

- Operators are all aluminum except for certain movable parts which are stainless steel.
- All other parts such as screws are either stainless steel or plated steel

Electrical Rating

- Push button stations, selector switches Heavy duty 600 VAC max.
- Pilot lights 250 VAC max.

CONTACT BLOCK RATINGS – A600				
CURRENT	120 VAC	240 VAC	480 VAC	600 VAC
INRUSH	60	30	15	12
BREAKING	6	3	1.5	1.2
CARRYING	10	10	10	10

DC RATINGS (MAX. AMPS) – P600		
CURRENT	125 VAC	250 VAC
INRUSH	55	.27
BREAKING	55	.27
CARRYING	2.55	2.55

AREA CLASSIFICATION CHART FOR OPERATORS

G01 ^④	G017 ^②	G030 ^②	G057 ^②	G0L2 ^④	G0L38 ^③
G02 ^④	G018 ^②	G034 ^②	G058 ^②	G0L3 ^④	G0L39 ^③
G05 ^④	G019 ^②	G035 ^② G036 ^③	G059 ^②	G0L4 ^④	G0L113 ^③
G06 ^④	G021 ^②	G037 ^③	G0113 ^③	G0L5 ^④	G0L114 ^③
G07 ^④	G022 ^②	G038 ^③	G0114 ^③	G0L6 ^④	G0LRST ^④
G08 ^③	G023 ^②	G039 ^③	G0133 ^②	G0L7 ^④ G0L8 ^③	G0M1 ^⑤
G010 ^③	G025 ^②	G040 ^①	G0134 ^②	G0L14 ^④	G0R11 ^④
G014 ^③	G026 ^②	G050 ^②	G0B3 ^④	G0L15 ^④	G0RST ^④
G015 ^③	G027 ^②	G051 ^②	G0B4 ^④	G0L36 ^③	G011388 ^②
G016 ^②	G028 ^②	G056 ^②	G0L1 ^④	G0L37 ^④	G011372 ^②

① Class II Div. 1 & 2 Group EFG

② Class I Div. 1 & 2 Group CD, Class II Div. 1 & 2 Group EFG, Class III

③ Class I Div. 1 & 2 Group BCD, Class II Div. 1 & 2 Group EFG, Class III Type 3, 4

④ Class I Div. 1 & 2 Group BCD, Class II Div. 1 & 2 Group EFG, Class III Type 3, 4, 4X

⑤ Class I Div. 1 & 2 Group CD, Class II Div. 1 & 2 Group EFG, Class III Type 3, 4



CUSTOM OPERATOR ORDERING SYSTEM

Example: **G01** — **RX** **2** **B** **N34**
FORM **COLOR** **CONTACTS** **NAMEPLATE** **CONSTANT**
SINGLE PUSH BUTTON **(RED)** **(1 N.C.)** **(STOP)**
LONG STYLE

NOTE: For faster delivery on custom operators order push buttons and selector switches without contact blocks and order contacts as a separate item.

1. Select operator form and style (short, long or extended).
2. Using the catalog numbering system below, insert the proper letter or number symbol as shown in the appropriate charts.
3. Spaces in catalog numbering system which have symbol already filled in cannot be changed.
4. Order accessories as separate item from Accessories page.
5. Add "N34" suffix to the end of all long style operators with the following prefix; G01, G02, GOB3, GOB4, G05, G06, G07, G08, G010, G011, G014, G015, G036, G037, G038, G039.

CATALOG SERIES	COLOR	VOLTAGE	POSITION	CAM	CONTACTS	NAMEPLATE	KEY LOCK	KEY TYPE	DESCRIPTION
G01 & G021 GOL1	Chart 1				Chart 4	Chart 8			Single push button: (Momentary contact)
GOM1	Chart 1				Chart 4	Chart 8			Single push button: (Maintained contact)
G02 & G022 GOL2	Chart 2				Chart 4	Chart 8			Double push button: (Momentary contact)
GOR11	Chart 2				Chart 4	Chart 8			Double push button: (Maintained contact)
GOB3 & GOL3	Chart 3	Chart 6				Chart 8			Pilot light
GOB4 GOL4	Chart 3	Chart 6			Chart 4	Chart 8			Illuminated push button
G05 & G025 GOL5			Chart 5	Chart 7	Chart 4	Chart 8			Selector switch (Maintained contact)
G06 & G026 GOL6					Chart 4	Chart 8			Selector switch (2 Position, spring return to left)
G07 & G027 GOL7					Chart 4	Chart 8			Selector switch (3 Position, return to center from center)
G014 & G034 GOL14					Chart 4	Chart 8			Selector switch (3 Position, return to center from right)
G015 & G035 GOL15					Chart 4	Chart 8			Selector switch (3 Position, return to center from left)
G08 & G028 GOL8			Chart 5	Chart 7	Chart 4	Chart 8	Chart 9	Chart 10	Key selector switch (Maintained contact)
G036 & G056 GOL36					Chart 4	Chart 8	Chart 9	Chart 10	Key selector switch (2 Position, spring return to left)
G037 & G057 GOL37					Chart 4	Chart 8	Chart 9	Chart 10	Key selector switch (3 Position, spring return to center)
G038 & G058 GOL38					Chart 4	Chart 8	Chart 9	Chart 10	Key selector switch (3 Position, return to center from right)
G039 & G059 GOL39					Chart 4	Chart 8	Chart 9	Chart 10	Key selector switch (3 Position, return to center from left)



CONTROLS G SERIES

G SYMBOLS FOR ORDERING CUSTOM OPERATORS

CHART 1 – SINGLE BUTTON				
GO1 SYMBOL	GO21 SYMBOL	GOL1 SYMBOL	GOM1 SYMBOL	COLOR
KX	KZ	K	KM	Black
RX	RZ	R	RM	Red
GX	GZ	G	GM	Green

CHART 2 – DOUBLE BUTTON	
SYMBOL	COLOR
KK	Black/Black
GG	Green/Green
RR	Red/Red
RG	Red/Green
KR	Black/Red
KG	Black/Green

CHART 3 – PILOT LIGHT LENS	
SYMBOL	COLOR
A	Amber
B	Blue
C	Clear
F	Frosted
G	Green
R	Red

CHART 4 – CONTACT BLOCKS	
SYMBOL	ARRANGEMENT
1	One N.O. block
2	One N.C. block
3	One universal (One N.O. and one N.C.)
4	One delayed break N.C. block
5	One early make N.O. block
6	Two N.O. blocks
7	Two N.C. blocks
8	Two universal (Two N.O. and two N.C.)
0	Omit contact block

CHART 5 – SELECTOR SWITCHES	
SYMBOL	NO. OF POSITIONS
2	Two
3	Three

CHART 6 – PILOT LIGHT LAMPS	
GOB3/GOB4 SYMBOL	VOLTAGE
23	120
4	24
40	240

CHART 7A – SELECTOR SWITCH CAMS

CAM AND CONTACT SELECTION TABLE FOR 2 AND 3 POSITION SELECTOR OPERATOR

SYMBOL	CONTACTS BLOCKS	Left position		Center position		Right position	
		LEFT/TOP BLOCKS	RIGHT/BOT BLOCKS	LEFT/TOP BLOCKS	RIGHT/BOT BLOCKS	LEFT/TOP BLOCKS	RIGHT/BOT BLOCKS
A	NC	X	X			0	0
	NO	0	0			X	X
B	NC	X	0	X	X	0	X
	NO	0	X	0	0	X	0
C	NC	X	X	0	0	0	0
	NO	0	0	0	0	X	X
D	NC	0	0	X	X	0	0
	NO	0	0	0	0	X	X
G	NC	X	0	0	X	0	0
	NO	0	0	0	0	X	X

Note: Spring return operators are supplied with special fixed cam. Changes cannot be made for cam substitution.

CHART 7B	
CAM	PART NUMBER
A	0106775B
B	11586ABAB
C	11587ABAB
D	11588ABAB
G	11590ABAB

CHART 8 – NAMEPLATES [Ⓢ]			
SYMBOL	NAMEPLATE MARKINGS		G SERIES FORMS THAT NAMEPLATE CAN BE USED ON
	FRONT	BACK	
A	Omit nameplate	Omit nameplate	All
B	Start	Stop	GO1, 21, 20, 40, GOB3
C	Blank	Reset	GO1, 21, 20, 40, GOB3, GOB4
E	Blank	On	GOR4
F	Blank-Blank	Off-On	GO5, 25, 6, 26, 8, 28, 10, 30, 36, 56
G	Blank-Blank-Blank	Hand-Off-Auto	GO5, 25, 7, 27, 8, 28, 10, 30, 14, 34
H	Blank-Blank-Blank-Blank	Start-Stop	GO5, 25, 10, 30

[Ⓢ] Symbol not required on extended length GOL part number.

CHART 9 – KEY LOCK	
SYMBOL	TYPE
22	2 Position key remove left
20	2 Position key remove both
32	3 Position key remove center
30	3 Position key remove all

CHART 10 – KEY STYLE	
SYMBOL	TYPE
D	Keys different
A	Keys alike



PUSH BUTTONS



Push Button Green



Push Button Red



Mushroom Push Button



Double Push Button

G SINGLE PUSH BUTTON (MOMENTARY CONTACT)

CATALOG NUMBER			COLOR	CONTACT TYPE	NAMEPLATE MARKING
SHORT	LONG	EXTENDED			
G021-GZ1B	G01-GX1B N34	GOL1G1	Green		Start or Stop
G021-KZ1C	G01-KX1C N34	GOL1K1	Black		Reset or Blank
G021-RZ2B	G01-RX2B N34	GOL1R2	Red		Start or Stop
G021-KZ2C	G01-KX2C N34	GOL1K2	Black		Reset or Blank
G021-GZ3C	G01-GX3C N34	GOL1G3	Green		Reset or Blank
G021-RZ3C	G01-RX3C N34	GOL1R3	Red		Reset or Blank
G021-KZ3C	G01-KX3C N34	GOL1K3	Black		Reset or Blank
G021-GZ0C	G01-GX0C N34	GOL1G	Green		None
G021-RZ0C	G01-RX0C N34	GOL1R	Red	Reset or Blank	
G021-KZ0C	G01-KX0C N34	GOL1K	Black	Reset or Blank	

G SINGLE PUSH BUTTON (MAINTAINED CONTACT) MUSHROOM HEAD PUSH – PULL OPERATION

SHORT	LONG	EXTENDED	COLOR	CONTACT TYPE	NAMEPLATE MARKING
GOM21-GM3C	GOM1-GM3C N34	GOML1G3	Green		Blank
GOM21-RM3C	GOM1-RM3C N34	GOML1R3	Red		Blank
GOM21-KM3C	GOM1-KM3C N34	GOML1K3	Black		Blank
GOM21-GM0C	GOM1-GM0C N34	GOML1G	Green		None
GOM21-RM0C	GOM1-RM0C N34	GOML1R	Red	Blank	
GOM21-KM0C	GOM1-KM0C N34	GOML1K	Black	Blank	

G DOUBLE PUSH BUTTON (MOMENTARY CONTACT)

SHORT	LONG	EXTENDED	COLOR	CONTACT TYPE	NAMEPLATE MARKING
G022-GR12D	G02-GR12D N34	GOL2GR12	Green/Red		Start/Stop or Blank
G022-KK12D	G02-KK12D N34	GOL2KK12	Black/Black		Start/Stop or Blank
G022-GR33D	G02-GR33D N34	GOL2GR33	Green/Red		Start/Stop or Blank
G022-KK33D	G02-KK33D N34	GOL2KK33	Black/Black		Start/Stop or Blank
G022-GR00D	G02-GR00D N34	GOL2GR	Green/Red	None	Start/Stop or Blank
G022-KK00D	G02-KK00D N34	GOL2KK	Black/Black		Start/Stop or Blank

G DOUBLE PUSH BUTTON (MAINTAINED CONTACT)

SHORT	LONG	EXTENDED	COLOR	CONTACT TYPE	NAMEPLATE MARKING
—	GOR11-GR6D N34	—	Green/Red		Start/Stop or Blank
—	GOR11-GR7D N34	—	Green/Red		Start/Stop or Blank
—	GOR11-GR8D N34	—	Green/Red		Start/Stop or Blank
—	GOR11-GR0D N34	—	Green/Red		None



CONTROLS G SERIES

PILOT LIGHTS



Pilot Light



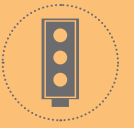
Illuminated Push Button

G PILOT LIGHTS				
CATALOG NUMBER		COLOR	CONTACT TYPE	NAMEPLATE MARKING
LONG	EXTENDED			
GOB3-A23C N34	GOL3A	Amber	110-120 Volts Full Volts	Blank
GOB3-B23C N34	GOL3B	Blue		Blank
GOB3-C23C N34	GOL3C	Clear		Blank
GOB3-F23C N34	GOL3F	Frosted		Blank
GOB3-G23C N34	GOL3G	Green		Blank
GOB3-R23C N34	GOL3R	Red		Blank

G PILOT LIGHTS WITH LED 110 VOLT LAMPS				
GOB3-A23C N34 LED	GOL3A LED	Amber	110-120 Volts Full Volts (LED)	Blank
GOB3-G23C N34 LED	GOL3G LED	Green		Blank
GOB3-R23C N34 LED	GOL3R LED	Red		Blank

G ILLUMINATED BUTTON OR PUSH TO TEST PILOT LIGHT				
GOB4-A233C N34	GOL4A3	Amber	110-120 Volts Full Volts	Blank
GOB4-B233C N34	GOL4B3	Blue		Blank
GOB4-C233C N34	GOL4C3	Clear		Blank
GOB4-F233C N34	GOL4F3	Frosted		Blank
GOB4-G233C N34	GOL4G3	Green		Blank
GOB4-R233C N34	GOL4R3	Red		Blank
GOB4-A230C N34	GOL4A	Amber	110-120 Volts No Contact Blocks	Blank
GOB4-B230C N34	GOL4B	Blue		Blank
GOB4-C230C N34	GOL4C	Clear		Blank
GOB4-F230C N34	GOL4F	Frosted		Blank
GOB4-G230C N34	GOL4G	Green		Blank
GOB4-R230C N34	GOL4R	Red		Blank

G ILLUMINATED BUTTON OR PUSH TO TEST PILOT LIGHT WITH LED 110 VOLT LAMPS				
GOB4-A233C N34 LED	GOL4A3 LED	Amber	110-120 Volts Full Volts (LED)	Blank
GOB4-G233C N34 LED	GOL4G3 LED	Green		Blank
GOB4-R233C N34 LED	GOL4R3 LED	Red		Blank
GOB4-A230C N34 LED	GOL4A LED	Amber	110-120 Volts (LED) No Contact Blocks	Blank
GOB4-G230C N34 LED	GOL4G LED	Green		Blank
GOB4-R230C N34 LED	GOL4R LED	Red		Blank



PILOT LIGHTS FOR ATEX / CENELEC APPLICATIONS



Pilot Light ATEX



Illuminated Push Button ATEX

Class I, Div. 1 & 2, Groups B, C, D
Class I, Zones 1 & 2, Groups IIB+H₂, IIA
Class II, Div. 1 & 2, Groups E, F, G
Class III
Type 3, 4, 4X
ATEX-EEExd IIB + H2

LISTED - File E12379

Certified - File LR11714

PTB No. 03ATEX 1203 U

G PILOT LIGHTS				
CATALOG NUMBER		COLOR	CONTACT TYPE	NAME PLATE MARKING
LONG	EXTENDED			
GOB3-A23C N34CN	GOL3ACN	Amber	 110-120 Volts Full Volts	Blank
GOB3-B23C N34CN	GOL3BCN	Blue		Blank
GOB3-C23C N34CN	GOL3CCN	Clear		Blank
GOB3-F23C N34CN	GOL3FCN	Frosted		Blank
GOB3-G23C N34CN	GOL3GCN	Green		Blank
GOB3-R23C N34CN	GOL3RCN	Red		Blank

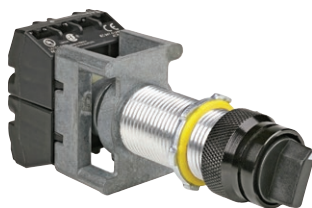
G PILOT LIGHTS WITH LED 110 VOLT LAMPS				
GOB3-A23C N34LEDCN	GOL3ALEDCN	Amber	 110-120 Volts Full Volts (LED)	Blank
GOB3-G23C N34LEDCN	GOL3GLEDCN	Green		Blank
GOB3-R23C N34LEDCN	GOL3RLEDCN	Red		Blank

G ILLUMINATED PUSH BUTTON OR PUSH TO TEST PILOT LIGHT				
GOB4-A233CN34CN	GOL4A3CN	Amber	 110-120 Volts Full Volts	Blank
GOB4-B233CN34CN	GOL4B3CN	Blue		Blank
GOB4-C233CN34CN	GOL4C3CN	Clear		Blank
GOB4-F233CN34CN	GOL4F3CN	Frosted		Blank
GOB4-G233CN34CN	GOL4G3CN	Green		Blank
GOB4-R233CN34CN	GOL4R3CN	Red		Blank
GOB4-A230CN34CN	GOL4A0CN	Amber	 110-120 Volts No Contact Blocks	Blank
GOB4-B230CN34CN	GOL4B0CN	Blue		Blank
GOB4-C230CN34CN	GOL4C0CN	Clear		Blank
GOB4-F230CN34CN	GOL4F0CN	Frosted		Blank
GOB4-G230CN34CN	GOL4G0CN	Green		Blank
GOB4-R230CN34CN	GOL4R0CN	Red		Blank

G ILLUMINATED PUSH BUTTON OR PUSH TO TEST PILOT LIGHT WITH LED 110 VOLT LAMPS				
GOB4-A233CN34LEDCN	GOL4A3LEDCN	Amber	 110-120 Volts Full Volts (LED)	Blank
GOB4-G233CN34LEDCN	GOL4G3LEDCN	Green		Blank
GOB4-R233CN34LEDCN	GOL4R3LEDCN	Red		Blank
GOB4-A230CN34LEDCN	GOL4A0LEDCN	Amber	 110-120 Volts (LED) No Contact Blocks	Blank
GOB4-G230CN34LEDCN	GOL4G0LEDCN	Green		Blank
GOB4-R230CN34LEDCN	GOL4R0LEDCN	Red		Blank



SELECTOR SWITCHES



Selector Switch

G SELECTOR SWITCH MAINTAINED CONTACT					
CATALOG NUMBER			CONTACT ARRANGEMENT	TYPE OF OPERATION	NAMEPLATE MARKINGS
SHORT	LONG	EXTENDED			
G025-2A3F	G05-2A3F N34	G0L52A3	<div style="display: flex; justify-content: space-around;"> <div style="text-align: center;">Left </div> <div style="text-align: center;">Right </div> </div>	Two position	OFF-ON and Blank on other side
G025-3C3G	G05-3C3G N34	G0L53C3	<div style="display: flex; justify-content: space-around;"> <div style="text-align: center;">Left </div> <div style="text-align: center;">Center </div> <div style="text-align: center;">Right </div> </div>	Three position	HAND-OFF-AUTO and Blank on other side
G025-4H8H	G05-4H8H N34	G0L54H8	<div style="display: flex; justify-content: space-around;"> <div style="text-align: center;">1 </div> <div style="text-align: center;">2 </div> <div style="text-align: center;">3 </div> <div style="text-align: center;">4 </div> </div>	Four position	Blank

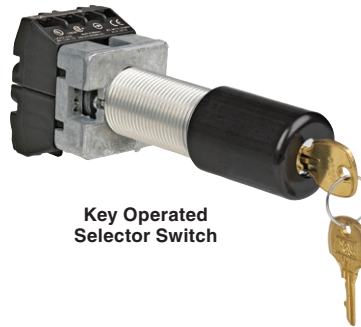
G SELECTOR SWITCH MAINTAINED CONTACT WITHOUT CONTACTS					
CATALOG NUMBER			CONTACT ARRANGEMENT	TYPE OF OPERATION	NAMEPLATE MARKINGS
SHORT	LONG	EXTENDED			
G025-2A0F	G05-2A0F N34	G0L52A	None	Two position	OFF-ON and Blank on other side
G025-3C0G	G05-3C0G N34	G0L53C	None	Three position	HAND-OFF-AUTO and Blank on other side
G025-4H0H	G05-4H0H N34	G0L54H	None	Four position	Blank

G SELECTOR SWITCH SPRING RETURN					
CATALOG NUMBER			CONTACT ARRANGEMENT	TYPE OF OPERATION	NAMEPLATE MARKINGS
SHORT	LONG	EXTENDED			
G026-3F	G06-3F N34	G0L63	<div style="display: flex; justify-content: space-around;"> <div style="text-align: center;">Left </div> <div style="text-align: center;">Right </div> </div>	Two position spring return to left 1 N.O./1 N.C	OFF-ON and Blank on other side
G027-6G	G07-6G N34	G0L76	<div style="display: flex; justify-content: space-around;"> <div style="text-align: center;">Left </div> <div style="text-align: center;">Center </div> <div style="text-align: center;">Right </div> </div>	Three position spring return to center from right or left 2 N.O.	HAND-OFF-AUTO and Blank on other side
G034-6G	G014-6G N34	G0L146	<div style="display: flex; justify-content: space-around;"> <div style="text-align: center;">Left </div> <div style="text-align: center;">Center </div> <div style="text-align: center;">Right </div> </div>	Three position spring return to center from right, maintain in left 2 N.O.	HAND-OFF-AUTO and Blank on other side
G035-6G	G015-6G N34	G0L156	<div style="display: flex; justify-content: space-around;"> <div style="text-align: center;">Left </div> <div style="text-align: center;">Center </div> <div style="text-align: center;">Right </div> </div>	Three position spring return to center from left, maintain in right 2 N.O.	HAND-OFF-AUTO and Blank on other side

G SELECTOR SWITCH SPRING RETURN WITHOUT CONTACTS					
CATALOG NUMBER			CONTACT ARRANGEMENT	TYPE OF OPERATION	NAMEPLATE MARKINGS
SHORT	LONG	EXTENDED			
G026-0F	G06-0F N34	G0L6	None	Two position spring return to left	OFF-ON and Blank on other side
G027-0G	G07-0G N34	G0L7	None	Three position spring return to center from right or left	HAND-OFF-AUTO and Blank on other side
G034-0G	G014-0G N34	G0L14	None	Three position spring return to center from right, maintain in left	HAND-OFF-AUTO and Blank on other side
G035-0G	G015-0G N34	G0L15	None	Three position spring return to center from left, maintain in right	HAND-OFF-AUTO and Blank on other side



KEYED SELECTOR SWITCHES



Key Operated
Selector Switch

G KEY SELECTOR SWITCH MAINTAINED CONTACT											
CATALOG NUMBER			CONTACT ARRANGEMENT	TYPE OF OPERATION	NAMEPLATE MARKINGS						
SHORT	LONG	EXTENDED									
G028-2A3F22D	G08-2A3F22D N34	G0L82A322D	<table style="display: inline-table; vertical-align: middle;"> <tr> <td style="text-align: center;">Left</td> <td style="text-align: center;">Right</td> </tr> <tr> <td style="text-align: center;"> </td> <td style="text-align: center;"> </td> </tr> </table>	Left	Right			Two position	OFF-ON and Blank on other side		
Left	Right										
G028-3C3G32D	G08-3C3G32D N34	G0L83C332D	<table style="display: inline-table; vertical-align: middle;"> <tr> <td style="text-align: center;">Left</td> <td style="text-align: center;">Center</td> <td style="text-align: center;">Right</td> </tr> <tr> <td style="text-align: center;"> </td> <td style="text-align: center;"> </td> <td style="text-align: center;"> </td> </tr> </table>	Left	Center	Right				Three position	HAND-OFF-AUTO and Blank on other side
Left	Center	Right									

G KEY SELECTOR SWITCH MAINTAINED CONTACT WITHOUT CONTACTS					
CATALOG NUMBER			CONTACT ARRANGEMENT	TYPE OF OPERATION	NAMEPLATE MARKINGS
SHORT	LONG	EXTENDED			
G028-2A0F22D	G08-2A0F22D N34	G0L82A022D	None	Two position	OFF-ON and Blank on other side
G028-3C0G32D	G08-3C0G32D N34	G0L83C032D	None	Three position	HAND-OFF-AUTO and Blank on other side

G KEY SELECTOR SWITCH SPRING RETURN											
CATALOG NUMBER			CONTACT ARRANGEMENT	TYPE OF OPERATION	NAMEPLATE MARKINGS						
SHORT	LONG	EXTENDED									
G056-2L3F22D	G036-2L3F22D N34	G0L36L322D	<table style="display: inline-table; vertical-align: middle;"> <tr> <td style="text-align: center;">Left</td> <td style="text-align: center;">Right</td> </tr> <tr> <td style="text-align: center;"> </td> <td style="text-align: center;"> </td> </tr> </table>	Left	Right			Two position spring return to left 1 N.O./1 N.C.	OFF-ON and Blank on other side		
Left	Right										
G057-3C6G32D	G037-3C6G32D N34	G0L37C632D	<table style="display: inline-table; vertical-align: middle;"> <tr> <td style="text-align: center;">Left</td> <td style="text-align: center;">Center</td> <td style="text-align: center;">Right</td> </tr> <tr> <td style="text-align: center;"> </td> <td style="text-align: center;"> </td> <td style="text-align: center;"> </td> </tr> </table>	Left	Center	Right				Three position spring return to center from right or left 2 N.O.	HAND-OFF-AUTO and Blank on other side
Left	Center	Right									
G058-3L6G32D	G038-3L6G32D N34	G0L38L632D	<table style="display: inline-table; vertical-align: middle;"> <tr> <td style="text-align: center;">Left</td> <td style="text-align: center;">Center</td> <td style="text-align: center;">Right</td> </tr> <tr> <td style="text-align: center;"> </td> <td style="text-align: center;"> </td> <td style="text-align: center;"> </td> </tr> </table>	Left	Center	Right				Three position spring return to center from right, maintain in left 2 N.O.	HAND-OFF-AUTO and Blank on other side
Left	Center	Right									
G059-3R6G32D	G039-3R6G32D N34	G0L39R632D	<table style="display: inline-table; vertical-align: middle;"> <tr> <td style="text-align: center;">Left</td> <td style="text-align: center;">Center</td> <td style="text-align: center;">Right</td> </tr> <tr> <td style="text-align: center;"> </td> <td style="text-align: center;"> </td> <td style="text-align: center;"> </td> </tr> </table>	Left	Center	Right				Three position spring return to center from left, maintain in right 2 N.O.	HAND-OFF-AUTO and Blank on other side
Left	Center	Right									

G KEY SELECTOR SWITCH SPRING RETURN WITHOUT CONTACTS					
CATALOG NUMBER			CONTACT ARRANGEMENT	TYPE OF OPERATION	NAMEPLATE MARKINGS
SHORT	LONG	EXTENDED			
G056-2L0F22D	G036-2L0F22D N34	G0L36L022D	None	Two position spring return to left	OFF-ON and Blank on other side
G057-3C0G32D	G037-3C0G32D N34	G0L37C032D	None	Three position spring return to center from right or left	HAND-OFF-AUTO and Blank on other side
G058-3L0G32D	G038-3L0G32D N34	G0L38L032D	None	Three position spring return to center from right, maintain in left	HAND-OFF-AUTO and Blank on other side
G059-3R0G32D	G039-3R0G32D N34	G0L39R032D	None	Three position spring return to center from left, maintain in right	HAND-OFF-AUTO and Blank on other side

All Key Operators are furnished Keyed Different. If Keyed Alike is required substitute letter "A" for letter "D" in catalog number.

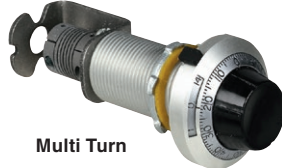
Keys are removable in Left position on 2 position selectors and in Center position on 3 position selectors. For key removal in ALL positions change "22" in 2 position to "20" and "32" in 3 position to "30".



SPECIALTY OPERATORS



Snap Switch



Multi Turn



Single Turn

Potentiometer and Rheostat
(electrical device not included)



Rotary or Motor Shaft



Capillary Seal



Reset

G SNAP SWITCH OPERATOR					
CATALOG NUMBER ^①		TYPE SWITCH	RATINGS		NAMEPLATE MARKING ^②
SHORT ^④	LONG		125 VAC	250 VAC	
G030-31F	G010-31F N34	SPST	10 Amp	5 Amp	Off/On or Blank
G030-33F	G010-33F N34	SPDT (3-way)	10 Amp	10 Amp	Off/On or Blank

Recognized

G POTENTIOMETERS AND RHEOSTATS OPERATOR				
CATALOG NUMBER ^①			TYPE	DESCRIPTION ^①
SHORT ^④	LONG	EXTENDED		
G0133	G0113 N34	G0L113	Single turn	Control operator for use with potentiometers or rheostats having a 1/4" diameter by 7/8" long shaft. NOT SUPPLIED
G0134	G0114 N34	G0L114	Twenty turn	

UL File E12379, VI 518

Short UL only, Long & Extended UL & CSA

G RESET OPERATOR				
CATALOG NUMBER ^①			NAMEPLATE ^②	TYPE OPERATION ^①
SHORT ^④	LONG	EXTENDED		
G040-KX2C	GO-RST	G0LRST	Reset or Blank	Black plunger type reset operator, supplied with a 6" long fiber extension which can be removed or cut to desired length.

UL File E150827

Long & Extended UL & CSA

G ROTARY OR MOTOR SHAFT OPERATOR			
CATALOG NUMBER ^{① ⑤}	SHAFT DIAMETER	TYPE	DESCRIPTION ^①
G016 ^⑤ G018 ^⑤	1/4" 3/8"	Male-Female	Rotary or motor shaft operator used to transfer rotary motion through wall of explosion proof enclosure.
G017 ^⑤ G019 ^⑤ G0-51 ^⑤	1/4" 3/8" 1/2"	Male-Male	

G CAPILLARY SEALS			
CATALOG NUMBER ^①	CAPILLARY SIZE	TYPE	DESCRIPTION ^①
G0-11388-078 ^⑤	0.078± .002 Dia.	Accepts Capillary With Max. Bulb Dia. of 9/16".	Use where a mechanical means for passing a thermostat or similar capillary tube through the wall of a hazardous location enclosure.
G0-11372-093 ^⑤	0.093± .002 Dia.		

① Refer to Catalog, Accessories, Area Classification, and Dimensional Pages for more information.

② Nameplates are double sided.

③ G040 series reset button is suitable for Class II E, F, and G locations only.

④ Short style operators are suitable for Class I Group C & D, Class II Group E, F, G only.

⑤ These devices are not UL or CSA approved.



OPERATOR BODIES



Style 1 - GCS-16



Style 2 - GCS-163



Style 3 - SWBC-16

Class I, Div. 1 & 2, Groups C, D
Class I, Zones 1 & 2, Groups IIB, IIA
Class II, Div. 1 & 2, Groups E, F, G
Class III

UL LISTED - File E10514

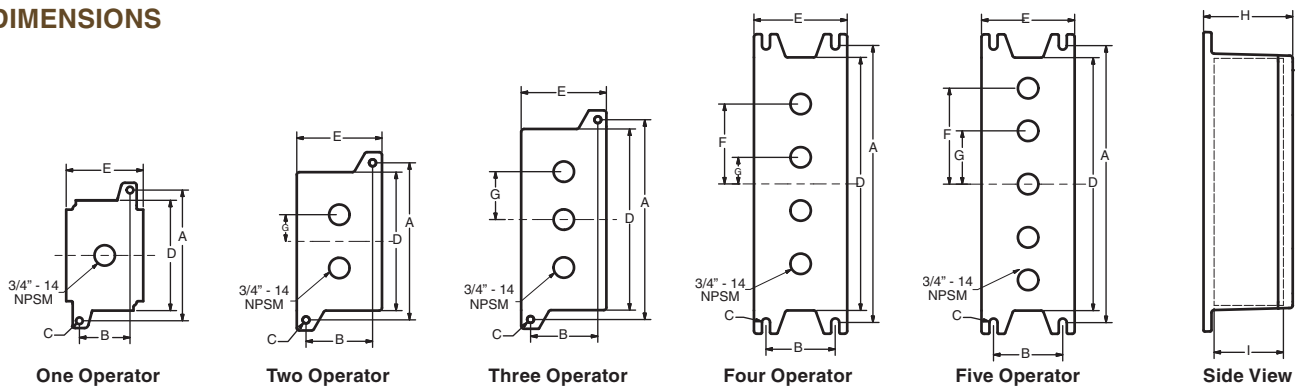
SP Certified - File LR11716

GCS STYLE 1 – WITH DRILLED AND TAPPED OPERATOR HOLES IN COVER ①												
CATALOG	NO. OF OPERATOR HOLES	CONSISTS OF		DIMENSIONS								
		BOX	COVER	A	B	C	D	E	F	G	H	I
GCS-13	1	SWB-13	X-60	6-1/8" (156)	2-3/8" (60)	5/16" (8)	5-3/16" (148)	3-5/8" (92)	—	—	3-1/2" (89)	2-9/16" (65)
GCS-14	1	SWB-14	X-60	6-1/8" (156)	2-3/8" (60)	5/16" (8)	5-1/4" (133)	3-5/8" (92)	—	—	4-5/16" (110)	3-3/8" (86)
GCS-15	2	SWB-15	X-61	7-3/8" (187)	3-1/8" (79)	5/16" (8)	6-1/2" (165)	4" (102)	—	1.25" (31.8)	4-1/4" (108)	3-1/4" (82)
GCS-16	3	SWB-16	X-62	9-3/8" (238)	3-3/16" (81)	5/16" (8)	8-1/2" (216)	4" (108)	—	2.25" (57.2)	4-1/4" (105)	3-1/4" (82)
GCS-83	4	SWB-83②	X-84	13" (330)	3-1/4" (82)	3/8" (10)	11-7/8" (302)	4-3/8" (111)	3.75" (95.3)	1.25" (31.8)	4-3/16" (106)	3-1/4" (82)
GCS-85	5	SWB-83②	X-85	13" (330)	3-1/4" (82)	3/8" (10)	11-7/8" (302)	4-3/8" (111)	4.50" (114.3)	2.50" (63.5)	4-3/16" (106)	3-3/16" (81)
GCS STYLE 2 – WITH DRILLED AND TAPPED OPERATOR HOLES IN BACK OF BOX ①												
GCS-131	1	SWB-13	X-10	6-1/8" (156)	2-3/8" (60)	5/16" (8)	5-3/16" (148)	3-5/8" (92)	—	—	3-1/2" (89)	2-9/16" (65)
GCS-141	1	SWB-14	X-10	6-1/8" (156)	2-3/8" (60)	5/16" (8)	5-1/4" (133)	3-5/8" (92)	—	—	4-5/16" (110)	3-3/8" (86)
GCS-152	2	SWB-15	X-11	7-3/8" (187)	3-1/8" (79)	5/16" (8)	6-1/2" (165)	4" (102)	—	1.25" (31.8)	4-1/4" (108)	3-1/4" (82)
GCS-163	3	SWB-16	X-12	9-3/8" (238)	3-3/16" (81)	5/16" (8)	8-1/2" (216)	4" (102)	—	2.25" (57.2)	4-1/4" (108)	3-1/4" (82)
GCS-834	4	SWB-83②	X-83	13" (330)	3-1/4" (82)	3/8" (10)	11-7/8" (302)	4-3/8" (111)	3.75" (95.3)	1.25" (31.8)	4-3/16" (106)	3-1/4" (82)
GCS-835	5	SWB-83②	X-83	13" (330)	3-1/4" (82)	3/8" (10)	11-7/8" (302)	4-3/8" (111)	4.50" (114.3)	2.50" (63.5)	4-3/16" (106)	3-3/16" (81)
SWB STYLE 3 – BLANK BOX AND COVER – NO OPERATOR HOLES ①												
SWBC-13	None	SWB-13	X-10	6-1/8" (156)	2-3/8" (60)	5/16" (8)	5-3/16" (148)	3-5/8" (92)	—	—	3-1/2" (89)	2-9/16" (65)
SWBC-14	None	SWB-14	X-10	6-1/8" (156)	2-3/8" (60)	5/16" (8)	5-1/4" (133)	3-5/8" (92)	—	—	4-5/16" (110)	3-3/8" (86)
SWBC-15	None	SWB-15	X-11	7-3/8" (187)	3-1/8" (79)	5/16" (8)	6-1/2" (165)	4" (102)	—	—	4-1/4" (108)	3-1/4" (82)
SWBC-16	None	SWB-16	X-12	9-3/8" (238)	3-3/16" (81)	5/16" (8)	8-1/2" (216)	4" (111)	—	—	4-1/4" (108)	3-1/4" (82)
SWBC-83	None	SWB-83②	X-83	13" (330)	3-1/4" (82)	3/8" (10)	11-7/8" (302)	4-3/8" (111)	—	—	4-3/16" (106)	3-3/16" (81)

① All GCS and SWBC Series are cataloged without conduit openings. Specify conduit size and location when ordering.

② GCS-83, GCS-85, GCS-834, and GCS-835 are provided with four mounting lugs.

DIMENSIONS



Notes: Use short style operators for cover devices and long style operators for back of box mounted devices when panel mounting. Style 2 only. Style 2 control stations with holes in back of box are typically used for panel mounting where additional length of long style operators is required.



CONTROLS G SERIES

ACCESSORIES / REPLACEMENT PARTS



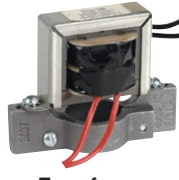
Rubber Boot



Hole Plug



Trim Locknut Spacer



Transformer GO-8670



Push Button Lockout GO-8665



Push Button Lockout GO-10502

ACCESSORIES		
CATALOG NUMBER	USED ON OPERATOR TYPE	DESCRIPTION
GO-8176-1	GO1, GO21, GOL1	Protective rubber boot (Black)
GO-8176-2	GO1, GO21, GOL1	Protective rubber boot (Red)
GO-8176-3	GO1, GO21, GOL1	Protective rubber boot (Green)
GO-8177	3/4" NPSM	Hole plug
GO-8222	1/4" Thick, Used as external spacer.	Trim locknut spacer
GO-8670-32	GOB3, GOL3	Transformer 220V-110V
GO-8670-34	GOB3, GOL3	Transformer 440V-110V
GO-8671-42	GOB4, GOL4	Transformer 220V-110V
GO-8671-44	GOB4, GOL4	Transformer 440V-110V
GO-8665	GO2, GO22, GOL2, GOR11	Push button lockout
GO-10502	GO1, GO21, GOL1	Push button lockout
GO567-LOK	GO & GOL5-6-7-14-15-26-27-34-35	Selector switch lockout
GO-RL	For use with GO's	Sealing lockout
GO-9824	GO40, GO-RST, GOLRST	Reset plate
B7PLR220	GOB3, GOL3, GOB4, GOL4	Resistor kit 220V-110V
B7PLR440	GOB3, GOL3, GOB4, GOL4	Resistor kit 440V-110V
B7PLR550	GOB3, GOL3, GOB4, GOL4	Resistor kit 550V-110V
KIT-GOTB	GOB3, GOL3, GOB4, GOL4	Terminal Block, 2 Point



Selector Switch Lockout



Reset Plate



Sealing Locknut GO-RL



2 Pt. Terminal Block KIT-GOTB

REPLACEMENT LENS GUARD ASSEMBLIES - "GO" PILOT LIGHTS		
CATALOG NUMBER		LENS COLOR
GOL3/GOB3 SERIES	GOL4/GOB4 SERIES	
GO15726-A	KIT-354	Amber
GO15726-B	KIT-355	Blue
GO15726-C	KIT-356	Clear
GO15726-F	KIT-357	Frosted
GO15726-G	KIT-358	Green
GO15726-R	KIT-359	Red



Lens Guard Assembly

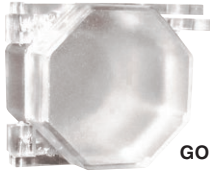
REPLACEMENT BLANK NAMEPLATES - "GO" OPERATORS	
CATALOG NUMBER	DESCRIPTION
YOKK-9484-2	Push button pilot lights
YOKK-10291	Double push button
YOKK-10286	2 Position selector switch
YOKK-10287	3 Position selector switch
YOKK-10285	4 Position selector switch



"GO" Legend Plate



ACCESSORIES / REPLACEMENT PARTS



GOMLOCK



Standard Mushroom
Momentary &
Maintained



Jumbo Mushroom
Momentary

ACCESSORIES

CATALOG NUMBER	FOR USE ON OPERATOR TYPE	DESCRIPTION
GOMLOCK	GOM1-GOM21-GOML-G01-G021-GOL1	Lock Out for Standard Size Momentary & Maintained Push Buttons
GOMSTG	G01-G021-GOL1	Standard Size Momentary Mushroom Head (Green)
GOMSTR	G01-G021-GOL1	Standard Size Momentary Mushroom Head (Red)
GOMSTK	G01-G021-GOL1	Standard Size Momentary Mushroom Head (Black)
GOMJUR	G01-G021-GOL1	Jumbo Size Momentary Mushroom Head (Red)
KIT-GOMR	GOM1-GOM21-GOML	Standard Size Maintained Mushroom Head (Red)
KIT-GOMG	GOM1-GOM21-GOML	Standard Size Maintained Mushroom Head (Green)
KIT-GOMK	GOM1-GOM21-GOML	Standard Size Maintained Mushroom Head (Black)
KIT-GOMRJ	GOM1-GOM21-GOML	Jumbo Size Maintained Mushroom Head (Red)
GOMSRD	GOM1-GOM21-GOML	Shroud for Standard Size Maintained Mushroom Head (Yellow)

Dimensions — Standard Mushroom — 1-1/2" Diameter, Jumbo Mushroom Maintained — 1-15/16" Diameter, Jumbo Mushroom Momentary — 2-1/4" Diameter

Replacement Parts



Incandescent
Lamp



LED Lamp

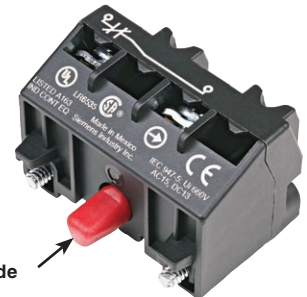
PILOT LIGHT LAMPS

CATALOG NUMBER	VOLTS	WATTS	AMPS	STYLE
YOSY120MB	120	3	0.025	GOB3/GOL3
YOSY24MB	24	1.7	0.073	GOB4/GOL4

PILOT LIGHT LED LAMPS

CATALOG NUMBER	VOLTS	COLOR
GOLED-A110	110 VAC/DC	Amber
GOLED-B110	110 VAC/DC	Blue
GOLED-G110	110 VAC/DC	Green
GOLED-R110	110 VAC/DC	Red
GOLED-W110	110 VAC/DC	White
GOLED-W24	24 VAC/DC	White
GOLED-W240 ^①	220/240 VAC	White

^① Not for use with ATEX operators.



Color Code

Finger Safe with Gold Flashing as Standard

GO STANDARD CONTACT BLOCKS*

CATALOG NUMBER	DESCRIPTION	COLOR CODE
GO-8673-BJK	1 N.O.	WHITE
GO-8673-BJJ	1 N.C.	RED
GO-8673-BJH	1 N.O. Early make	GREEN
GO-8673-BJE	1 N.C. Late break	YELLOW
GO-8673-BJKJ	1 N.O./1 N.C.	BLACK



CONTROLS G SERIES

DIMENSIONS

G DIMENSIONS					
SERIES	FIGURE	A	B	C	D
G01	1	15/16"(24)	1-3/4"(44)	3-7/16"(87)	1-1/4"(32)
G02	3	13/16"(21)	2"(51)	3-3/4"(95)	—
G0B3	4	1-1/8"(29)	2"(51)	2-3/4"(70)	1-9/16"(40)
G0B4	5	2-3/8"(60)	2-1/4"(57)	4"(101)	1-13/16"(46)
G05	9	1-5/16"(33)	1-3/4"(44)	3-7/16"(87)	1-1/4"(32)
G06,G07,G014,G015	9	1-5/16"(33)	1-3/4"(44)	3-13/16"(97)	1-1/4"(32)
G08	10	2-9/16"(65)	1-3/4"(44)	3-1/2"(89)	1-1/4"(32)
G010	11	1-5/16"(33)	1-3/4"(44)	4"(101)	1-1/4"(32)
G016,G018	7	1-1/4"(32)	1"(25)	13/16"(21)	1-1/2"(38)
G017,G019	7	13/16"(21)	1"(25)	13/16"(21)	1-1/2"(38)
G021	1	15/16"(24)	3/4"(19)	2-7/16"(62)	1-1/4"(32)
G022	3	13/16"(21)	1"(25)	2-3/4"(70)	—
G025	9	1-5/16"(33)	3/4"(19)	2-7/16"(62)	1-1/4"(32)
G026,G027,G034,G035	9	1-5/16"(33)	3/4"(19)	2-13/16"(71)	1-1/4"(32)
G030	11	1-5/16"(33)	3/4"(19)	3"(76)	1-1/4"(32)
G036,G037,G038,G039	10	2-9/16"(65)	1-3/4"(44)	3-7/8"(98)	1-1/4"(32)
G040	2	15/16"(24)	11/16"(17)	1"(25)	1-1/4"(32)
G050	7	1-1/2"(38)	2"(51)	6-5/16"(160)	2-5/16"(59)
G051	7	2-1/4"(57)	1-5/8"(41)	5-9/16"(141)	1"(25)
G056,G057,G058,G059	10	2-9/16"(65)	3/4"(19)	2-7/8"(73)	1-1/4"(32)
G0113,G0114	6	1"(25)	2"(51)	3-5/8"(67)	1-13/16"(46)
G0133,G0134	6	1"(25)	1"(25)	2-5/8"(67)	1-13/16"(46)
GO-11388-078	8	1-5/16"(33)	3/4"(19)	N/A	1-1/2"(38)
GO-11372-093	8	1-5/16"(33)	3/4"(19)	N/A	1-1/2"(38)
GOR11	3	13/16"(21)	2"(51)	4-1/8"(105)	—
GO-RST	2	15/16"(24)	2-5/16"(59)	2-3/8"(+6")(60)	1-1/4"(32)
GOM1	1	1-7/8"(48)	1-7/16"(37)	4"(101)	1-5/8"(41)
EXTENDED LENGTH OPERATORS:					
GOL1	1	15/16"(24)	2-3/4"(70)	4-7/16"(113)	1-1/4"(32)
GOL2	3	13/16"(210)	2-3/4"(70)	4-1/2"(114)	—
GOL3	4	1-1/8"(29)	2-3/4"(70)	3-3/8"(86)	1-9/16"(40)
GOL4	5	2-3/8"(60)	2-3/4"(70)	4-5/8"(117)	1-13/16"(46)
GOL5	9	1-5/16"(33)	2-3/4"(70)	4-7/16"(113)	1-1/4"(32)
GOL6,GOL7,GOL14,GOL15	9	1-5/16"(33)	2-3/4"(70)	4-13/16"(122)	1-1/4"(32)
GOL8	10	1-9/16"(40)	2-3/4"(70)	4-1/2"(114)	1-1/4"(32)
GOL36,GOL37,GOL38,GOL39	10	1-9/16"(40)	2-3/4"(70)	4-7/8"(124)	1-1/4"(32)
GOL113,GOL114	6	1"(25)	3"(76)	4-5/8"(117)	1-13/16"(46)
GOLRST	2	15/16"(24)	2-3/4"(70)	3"(+6")(76)	1-1/4"(32)

NOTE: All operators are for installation into a 3/4"-14 NPSM opening, except G050, which is used in 1-1/4"-11-1/2 NPSM and GO-11388-078 / GO-11372-093 which are for use in a 3/4"-14 NPT opening.

SPECIAL OPERATORS

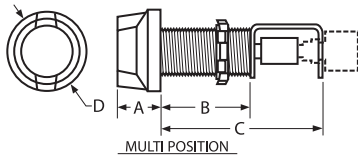


FIGURE 6

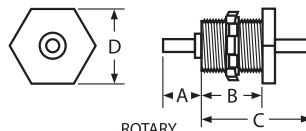


FIGURE 7

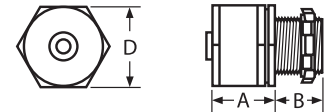


FIGURE 8

SELECTOR SWITCHES

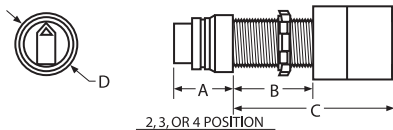


FIGURE 9

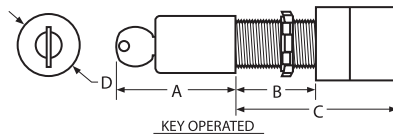


FIGURE 10

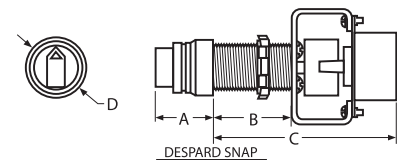


FIGURE 11

PUSH BUTTONS

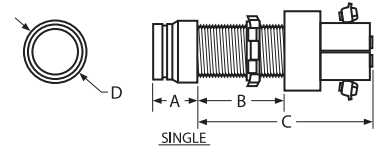


FIGURE 1

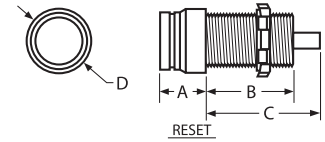


FIGURE 2

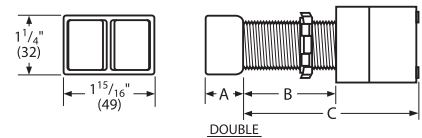


FIGURE 3

PILOT LIGHTS

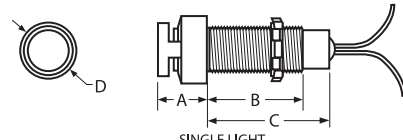


FIGURE 4

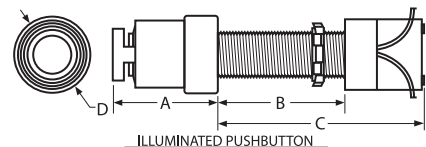


FIGURE 5



CONNECTIVITY TABLE OF CONTENTS

HAZARDOUS LOCATION

MULTI-PIN CONNECTORS



Hawke Connectors Overview	2-3
Hawke InstrumEx Control Connectors ..	4-9
Hawke ControlEx Control Connectors	10-14
Hawke PowerEx Control Connectors	15-20
Killark Acceptor® UGP/UGR Series Power Connectors	21-27
Killark Acceptor® UGRC Series Power Connectors	28-29
Killark Acceptor® UGRP Series Power Connectors	30-31
Killark Acceptor® UGRS Series Power Connectors	32-33
Killark Acceptor® UGR4X GFCI Series Power Connectors	34-35
Killark Acceptor® UGRGF Series GFCI Power Connectors	36-37
Killark Acceptor® UGFI Series GFCI Power Connectors	36-37
Killark VersaMATE® VSQ Series Power Connectors	38-39
Killark VersaMATE® VSQ-FS Series Power Connectors	40-41



Killark VersaMATE® VBQ Series Power Connectors	42-45
Killark VersaMATE® VSI Series Power Connectors	46-49
Killark VSIH Series Power Connectors	50-52
Killark KP/KR Series Power Connectors	53-57
Vantage XP Starline GD/SD/AF/SF Series Power/Control Connectors	58-73
Insert Configurations/Accessories	74-83

INDUSTRIAL LOCATION

MULTI-PIN CONNECTORS



Killark VersaMATE® VP/VR/VPR Series Power Connectors	84-93
---	-------

SINGLE-PIN CONNECTORS



RigPower RMP®III 300/400 Series ...	94-97
RigPower RMP®III Series	98-103
RigPower HP20® Series	104-110
RigPower Secure Mount® Series ...	111-114
Cable Repair Splice Kits	115

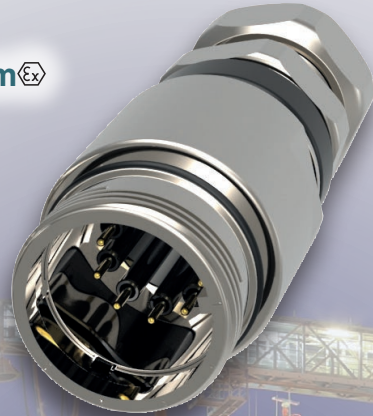


CONNECTIVITY HAWKE CONNECTORS

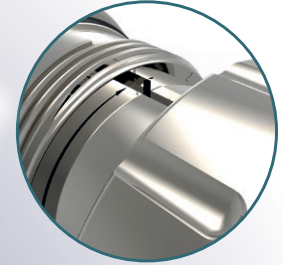
COMMON FEATURES



Instrum^{Ex}



Impossible to Crossmate

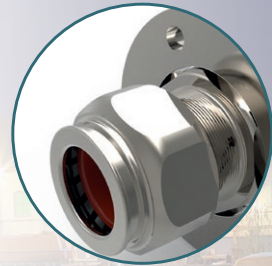


Ingress and Deluge Protected

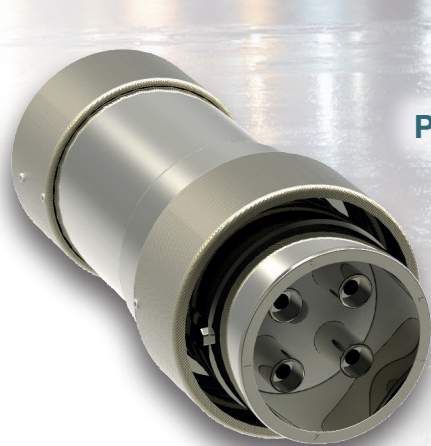


High Reliability Contacts

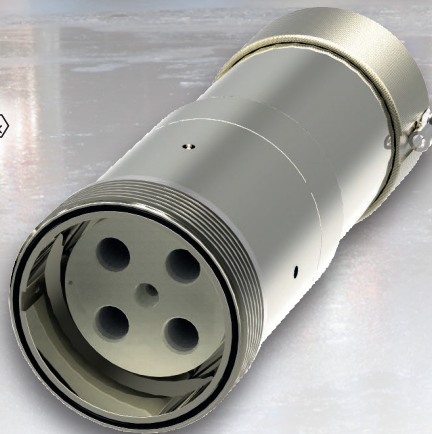
Control^{Ex}



Retro Fit Flange Option



Power^{Ex}



Robust Design



SELECTION OVERVIEW

FEATURES-SPECIFICATIONS

Features

There are several innovative features common across the range of Hawke connectors. Despite their highly advanced design and technical features, the range is extremely simple to use and quick to terminate.

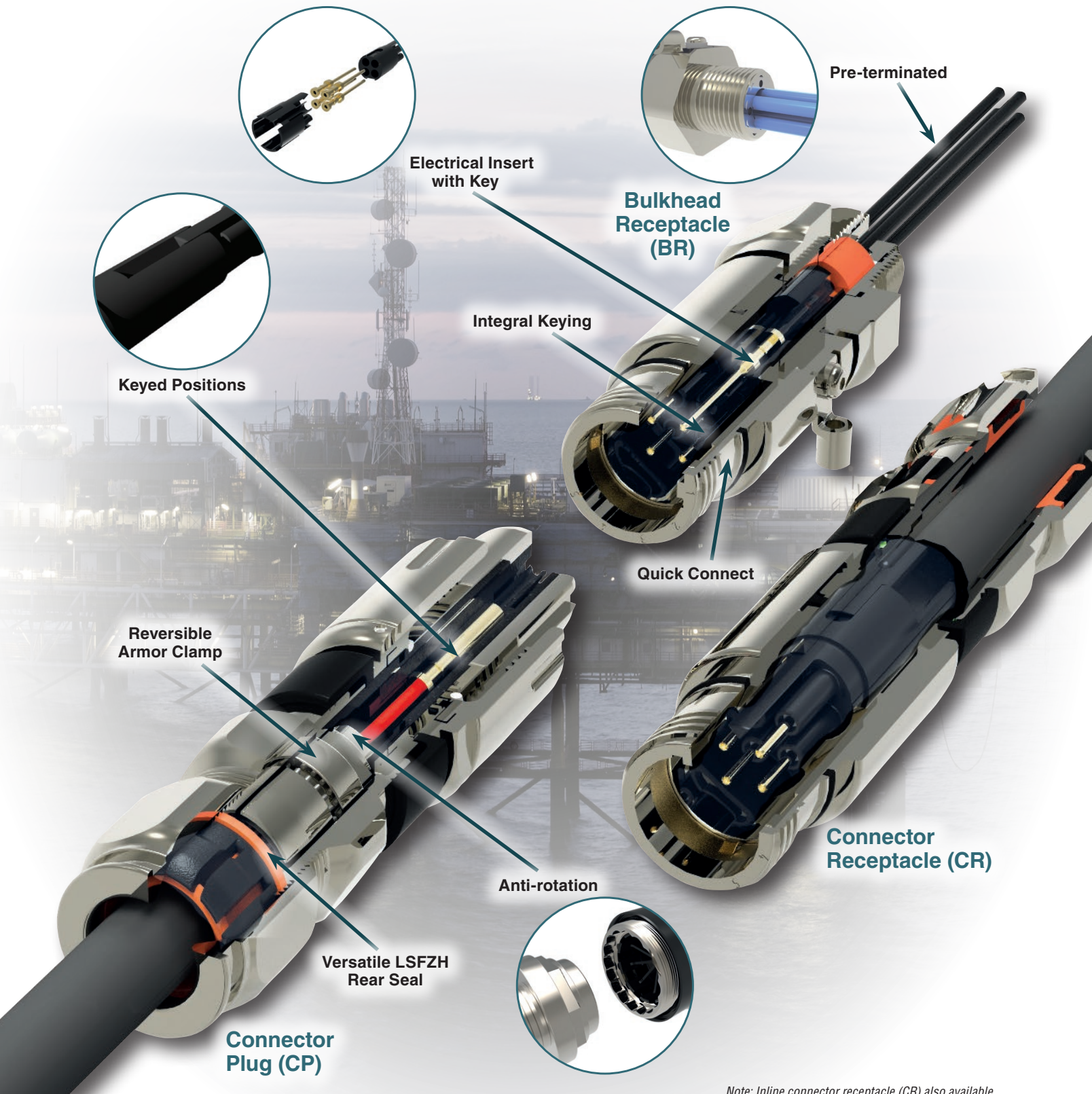
- IMPOSSIBLE TO CROSS MATE** – The unique mechanical keying system prevents contact damage and ensures safe use by eliminating the possibility of misconnection of circuits. Machined key and keyway also ensures connector alignment
- INGRESS AND DELUGE PROTECTED** – All Hawke ATEX connectors meet the requirements of IP66 and IP67 to IEC60529. They are also deluge protected to DTS01 offering long term protection in onerous environments.
- HIGH RELIABILITY CONTACTS** – Each pin and socket is fitted with multilam technology to ensure reliable low resistance connection on each coupling.
- RETRO FIT FLANGE OPTION** – Each connector plug and receptacle can be fitted with an optional mounting flange, either at point of order or retro fitted as required, allowing easy mounting of the connectors without the need to disassemble the units
- ROBUST DESIGN** – Designed and constructed for the most demanding environments, Hawke connectors are durable in almost any environment, requiring no routine maintenance to ensure continued performance.

APPLICATION							
CONNECTOR TYPE	MINIMUM NUMBER OF PINS	MAXIMUM NUMBER OF PINS	MINIMUM CROSS SECTIONAL AREA OF CONDUCTOR MM ²	MAXIMUM CONDUCTOR MM ²	MAXIMUM VOLTAGE	MAXIMUM CURRENT (AMPS)	LIVE DEMATE
Instrum [Ⓢ]	1	9	0.14	2.5	250V	10	✓
Control [Ⓢ]	3	60	0.5	35	750V	125	X
Power [Ⓢ]	1	4	50	630	750V*	780	X

* Other voltages available on special request.



FEATURES



Note: Inline connector receptacle (CR) also available



FEATURES


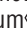



Tamb: -40°C to +60°C  II2 GD Exdbe IIC
Extb IIIC Db T85
IP66, 67 & DTS01 deluge protected
Certificate No's Baseefa06ATEX0061X &
IECEX BAS 06.0018X



FEATURES-SPECIFICATIONS

Features

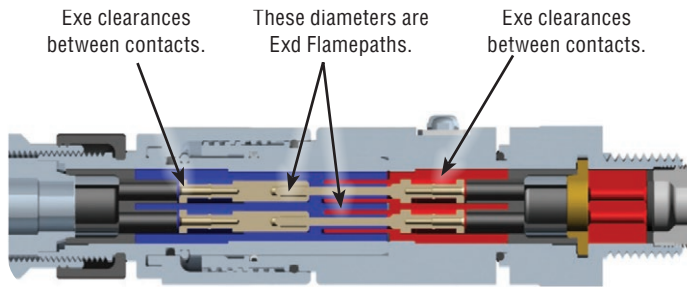
This revolutionary design allows the live mate and de-mating of signal and low power in hazardous areas safely and quickly. The Instrum  connector is available in two sizes. The 4-way and the 9-way options will accept cores ranging between 0.5mm² and 2.5mm² and can operate up to a maximum current of 10A (AC1) at 250V AC and 2.5A (DC1) 60V DC. The 8-way option, designed predominantly for Ethernet applications, will accept cores ranging between 0.14mm² and 0.37mm² and can carry 1A (AC1) at 60V AC and 0.5A (DC1) 60V DC. Instrum  connectors include an integral Hawke cable gland for easy termination of both armoured and un-armoured cables.

- **ELECTRICAL INSERT WITH KEY** – Easy to assemble electrical insert allows crimped or soldered connections.
- **KEYED POSITIONS** – Secondary keying on the actual insert bodies guarantees contact alignment, preventing pin damage.
- **INTEGRAL KEYING** – Machined key and keyway ensures connector alignment. Unique 5 position insert keying system prevents cross-mating.
- **QUICK CONNECT** – Unique 4 start ACME thread offers a smooth and quick fully mating action in less than two turns. Earth continuity is achieved via a 360° contact clip.
- **ANTI-ROTATION** – Profiled Spigot and connector body prevent cable rotation, eliminating cable damage.
- **REVERSIBLE ARMOR CLAMP** – The Instrum  incorporates Hawke's proven and patented armor termination method to accommodate different types of armor or braid.
- **VERSATILE LSFZH REAR SEAL** – Accommodates a wide range of cable sizes and provides highly effective cable grip and ingress protection.
- **PRE-TERMINATED** – All BR connectors are supplied with pre-terminated tails to suit your requirements.



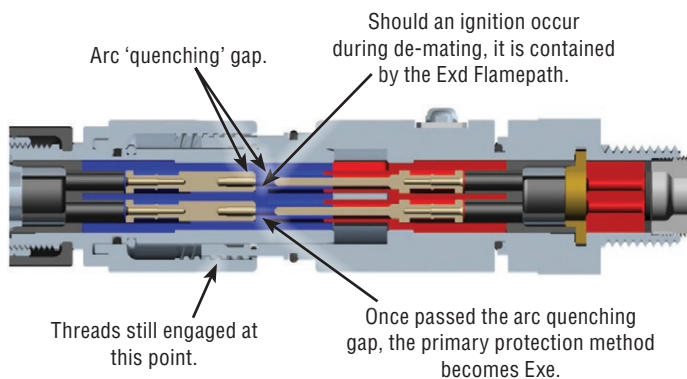
HOW IT WORKS

The **INSTRUM** connectors are designed to provide ease of installation and speed of use whilst providing a flexible, safe and reliable method for **MATING AND DISCONNECTION OF CIRCUITS WHICH ARE ENERGISED.**



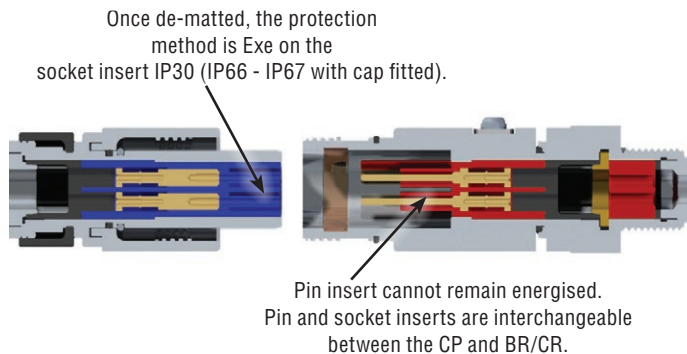
Stage 1

The two mating halves are easily engaged and disengaged by two full turns of the ACME custom engaging thread, during which time the pins and socket are protected by the Exd flameproof protection concept. The outer shell of the connector combined with the integral Hawke cable gland seal ensure that the internal connections are protected to the Exe increased safety protection concept.



Stage 2

During connector engagement and disengagement any sparking of the contacts is contained within an arc 'quenching section' which is housed within the Exd flameproof areas.



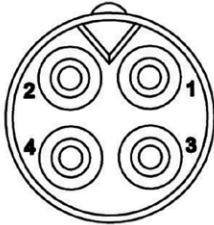
Stage 3

When the connector halves are disengaged, the socket section is protected to IP30 and must have the protective cap fitted immediately to restore the full Exe increased safety requirements and IP rating. The pins and socket inserts are interchangeable between all three connector components: i.e. Bulkhead receptacle, in-line receptacle and connector plug. **In all installations, the "live" side of the connector must always contain the socket insert.**



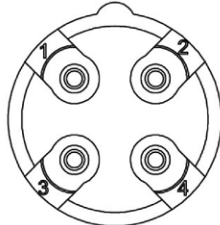
INSERTS

**Front View of
Socket Insert**



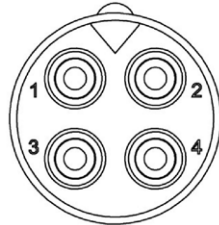
4 x 0.5 - 1mm²
4 x 1.5 - 2.5mm²

**Back View of
Socket Insert**



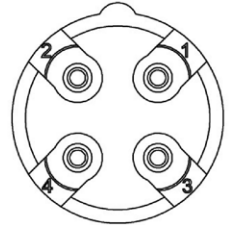
4 x 0.5 - 1mm²
4 x 1.5 - 2.5mm²

**Front View of
Pin Insert**

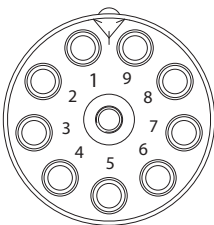


4 x 0.5 - 1mm²
4 x 1.5 - 2.5mm²

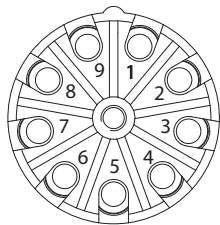
**Back View of
Pin Insert**



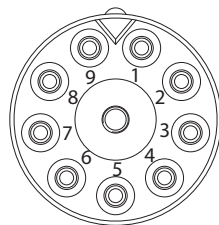
4 x 0.5 - 1mm²
4 x 1.5 - 2.5mm²



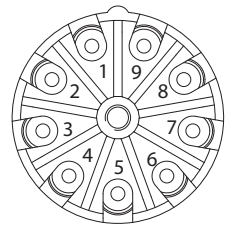
9 x 0.5 - 1mm²
9 x 1.5 - 2.5mm²



9 x 0.5 - 1mm²
9 x 1.5 - 2.5mm²

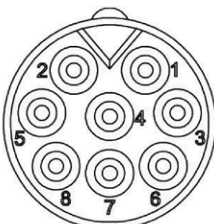


9 x 0.5 - 1mm²
9 x 1.5 - 2.5mm²



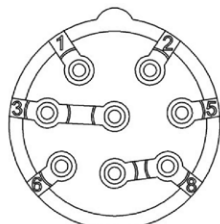
9 x 0.5 - 1mm²
9 x 1.5 - 2.5mm²

**Front View of
Socket Insert**



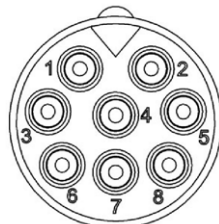
8 x 0.14 - 0.37mm²

**Back View of
Socket Insert**



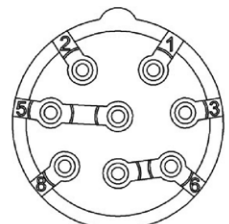
8 x 0.14 - 0.37mm²

**Front View of
Pin Insert**



8 x 0.14 - 0.37mm²

**Back View of
Pin Insert**



8 x 0.14 - 0.37mm²



Dual Crimp

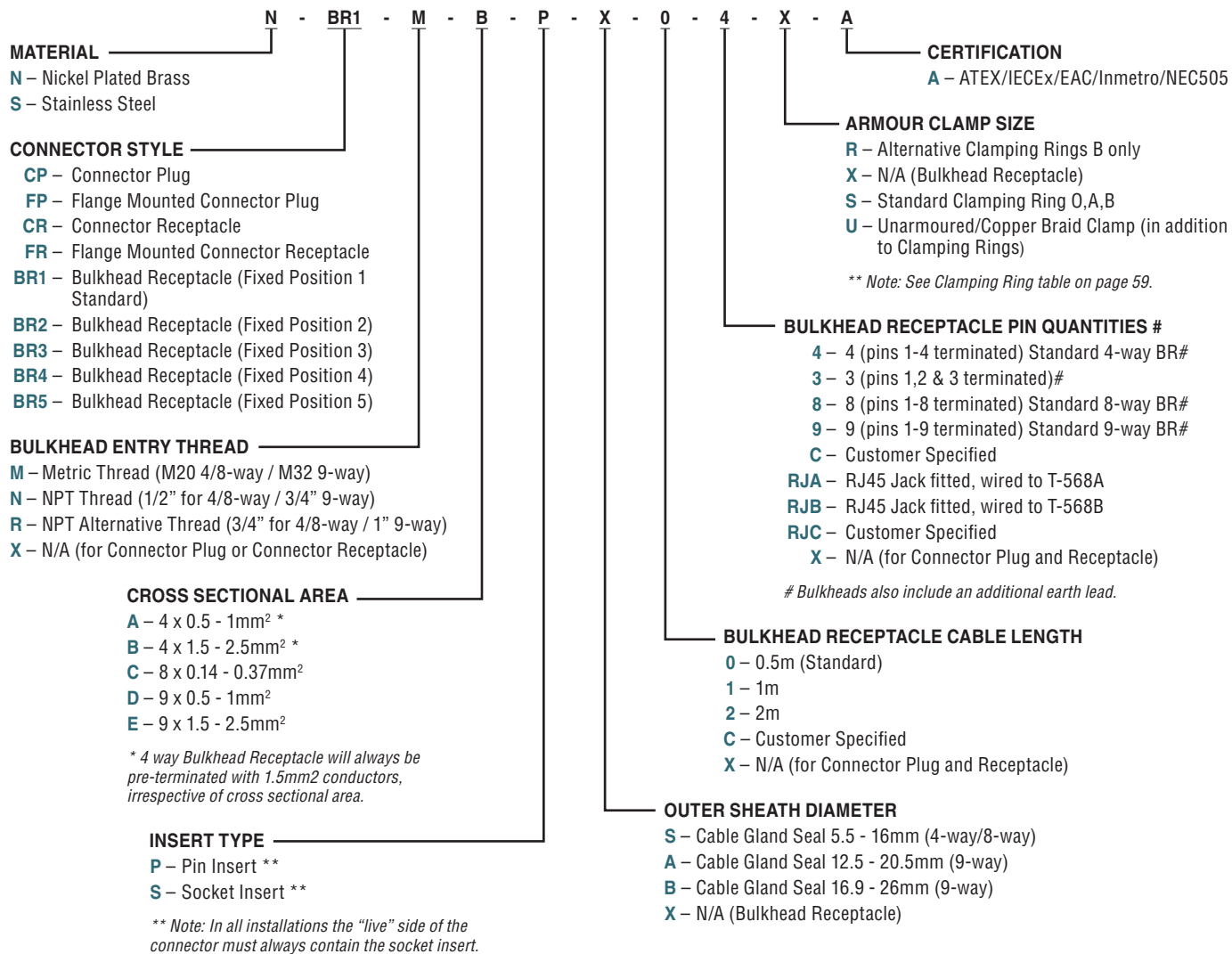
Two crimping locations on the 4 & 9 way contacts allow for only two contact sizes to cover a far greater range than conventional contacts. This allows termination of cores ranging between 0.5 and 2.5mm².

Contacts must be crimped using the Hawke supplied crimping tool part No. HCT1.



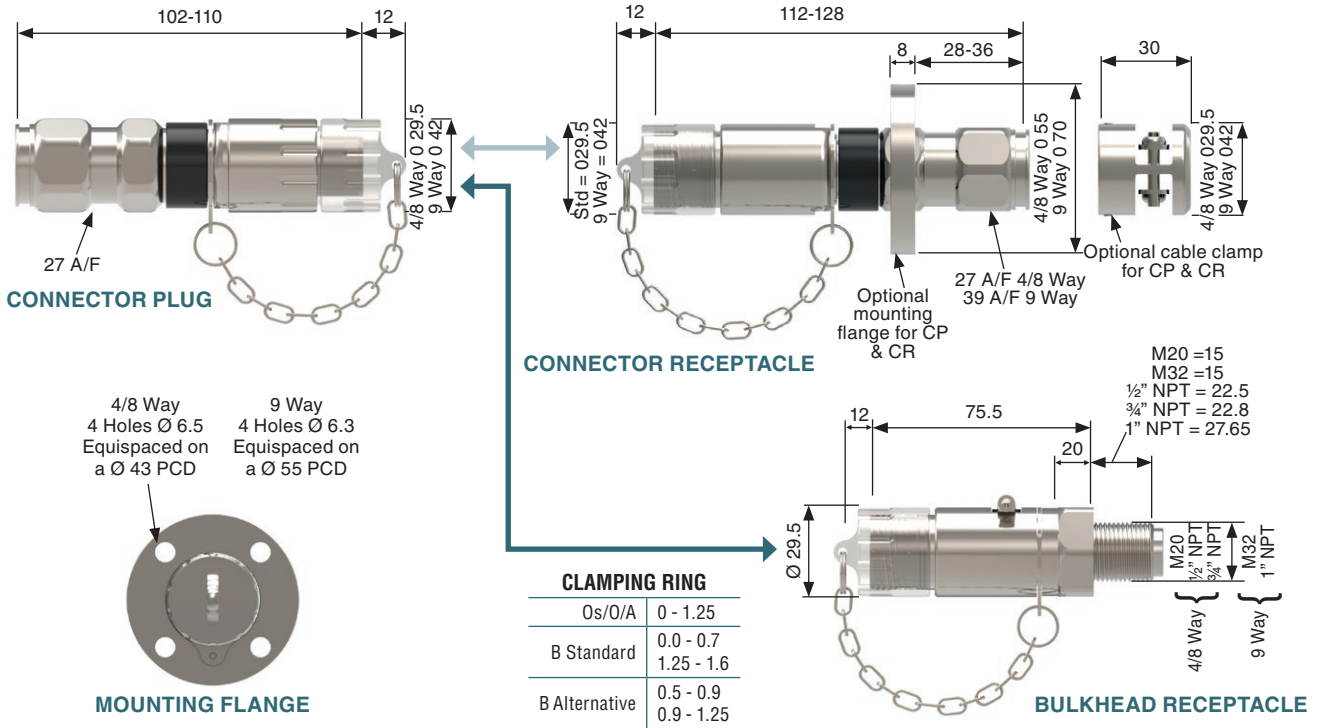
CATALOG LOGIC

When ordering, select relevant code from each block as shown in the example below: **Instrum / N-BR1-M-B-P-X-0-4-X-A**





DIMENSIONS



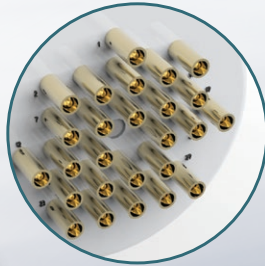
All dimensions in mm unless otherwise stated.

TECHNICAL DATA - 4 WAY / 9 WAY	
EXPLOSION PROTECTION	⊕ IIC GD Exdbe IIC Gb Extb IIIC Db T85°C
AMBIENT TEMPERATURE	-40°C to +60°C
CERTIFICATION	Baseefa 06 ATEX 0061X
	IECEX BAS06.0018X
RATINGS 4 / 9 WAY	Voltage AC 250V RMS
	Current AC EN 60947-4-3 10A (AC21)
	Current AC EN 60947-4-1 10A (AC1)
	Current AC EN 60947-4-1 1A (AC3)
	Frequency 50/60 Hz
	Power Factor 0.9
	Voltage DC 60V
	Current DC EN 60947-4-3 2.5A (DC21)
	Current DC EN 60947-4-1 2.5A (DC1)
	Current DC EN 60947-4-1 0.5A (DC3)
FUSE RATING 4 / 9 WAY	10 amp without thermal protection
	20A gL with thermal protection
MAX NO. OF MAKE & BREAK OPERATIONS (EN61984)	On load 150
	Off load 500
IP RATING	IP66, IP67 and DTS01 deluge protected. <i>Note: Caps to be fitted to maintain IP ratings when the connector halves are separated.</i>
STORAGE TEMPERATURE	-50°C to +70°C

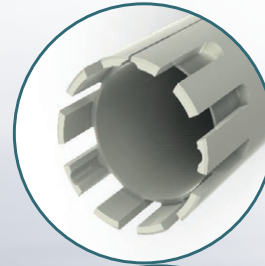
TECHNICAL DATA - 8 WAY	
EXPLOSION PROTECTION	⊕ IIC GD Exdbe IIC Gb Extb IIIC Db T85°C
AMBIENT TEMPERATURE	-40°C to +60°C
CERTIFICATION	Baseefa 06 ATEX 0061X
	IECEX BAS06.0018X
RATINGS 8 WAY	Voltage AC 60V RMS
	Current AC EN 60947-4-3 1A (AC21)
	Current AC EN 60947-4-1 1A (AC1)
	Current AC EN 60947-4-1 0.1A (AC3)
	Frequency 50/60 Hz
	Power Factor 0.9
	Voltage DC 60V
	Current DC EN 60947-4-3 0.5A (DC21)
	Current DC EN 60947-4-1 0.5A (DC1)
	Current DC EN 60947-4-1 0.1A (DC3)
FUSE RATING 8 WAY	0.5 amp without thermal protection
	1A gL with thermal protection
MAX NO. OF MAKE & BREAK OPERATIONS (EN61984)	On load 150
	Off load 500
IP RATING	IP66, IP67 and DTS01 deluge protected. <i>Note: Caps to be fitted to maintain IP ratings when the connector halves are separated.</i>
STORAGE TEMPERATURE	-50°C to +70°C



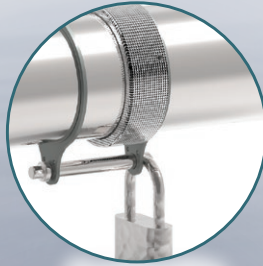
FEATURES



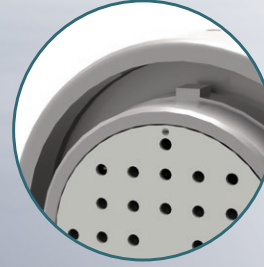
Easy
Fieldwireable



Internal Keyway
Spacer



Locking Pin



Keying
Position



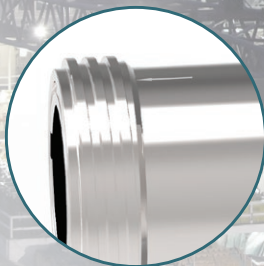
Connector Plug-CP



Bulkhead-BR



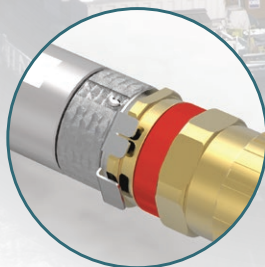
Running
Coupler



Acme Thread
at Mating
Interface



Fully Inspectable
Flameproof Barrier



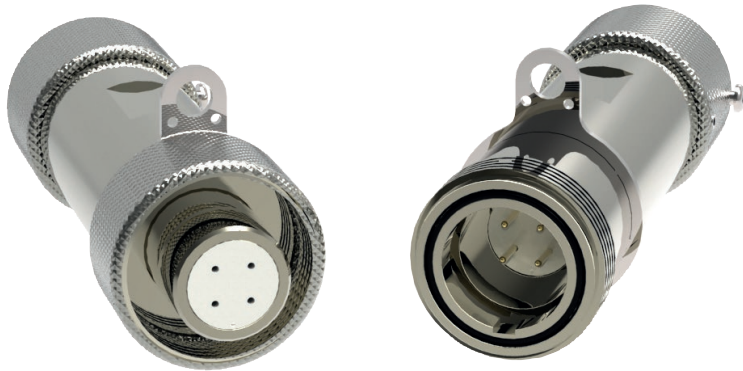
Anti-
Rotation
Device




Connector Receptacle - CR



FEATURES




Tamb: -40°C to +60°C  II2 GD Exdb IIC
Gb, Extb IIIC Db T95
IP66, 67 & DTS01 deluge protected
Certificate No's Baseefa12ATEX0014X &
IECEX BAS 12.0006X.



FEATURES-SPECIFICATIONS

Features

The 4th generation of Control  connectors include many features and refinements as a result of consumer feedback, which makes them particularly suitable for control and low/medium power applications. The robust stainless steel body can hold up to 60 contacts and will accept conductor sizes ranging between 0.5mm² and 35mm², operating up to 125A and 750V.

- **EASY FIELDWIREABLE** – Pin and socket inserts are numbered front and back to assist wiring and avoid termination errors. Crimp and solder inserts available.
- **INTERNAL KEYWAY SPACER** – Eases accessibility for termination as tube fitted after termination complete, along with allowing easy installation into the required keyed position (See ④)
- **LOCKING PIN** – Optional locking pin provides the facility for mated connectors to be permanently locked, via the use of a padlock, ensuring they cannot be separated under load. (Padlock not supplied)
- **KEYING POSITION** – The unique visual 5 position insert keying system (3 on Ex16) along with the integral machined keyways prevent contact damage and ensures safe use by eliminating the possibility of misconnection of adjacent circuits.
- **RUNNING COUPLER** – Allows the connector to be installed onto a pre-assembled cable gland. Connector is rear loading and includes locking engaging nut.
- **ACME THREAD AT MATING INTERFACE** – Unique ACME thread offers a smooth and quick fully mating action.
- **FULLY INSPECTABLE FLAMEPROOF BARRIER** – Provides direct inspection of the flameproof seal and offers users the peace of mind that the connector is safe for installation.
- **ANTI-ROTATION DEVICE** – Connector plugs and receptacles come complete with anti-rotation ring, which when fitted between the connector and gland, helps to eliminate the possibility of the gland loosening, locking this in position.



INSERTS

Ex16 - 3 x 1.5 Ex16 - 4 x 1.5 Ex25 - 4 x 1.5 Ex25 - 9 x 1.5 Ex25 - 12 x 1.5 Ex25 - 4 x 2.5 Ex25 - 7 x 2.5 Ex25 - 4 x 6
Soldered Only

Ex32 - 12 x 1.5 Ex32 - 19 x 1.5 Ex32 - 10 x 2.5 Ex32 - 12 x 2.5 Ex32 - 4 x 6

Ex32 - 6 x 6 Ex32 - 3 x 10 Ex32 - 4 x 10 Ex32 - 3 x 16 Ex32 - 4 x 16

Ex40 - 24 x 1.5 Ex40 - 30 x 1.5 Ex40 - 19 x 2.5 Ex40 - 8 x 6 Ex40 - 5 x 10

Ex40 - 5 x 16 Ex40 - 4 x 25 Ex40 - 4 x 35

Ex40 - 60 x 1.5

Ex50 - 37 x 1.5 Ex50 - 27 x 2.5 Ex50 - 13 x 6 Ex63 - 37 x 2.5 Ex63 - 49 x 1.5

INSERT SIZE	INTERNAL DIAMETER OF CUP (MM) NOMINAL	
	SOLDERED	CRIMPED
	1.5mm ²	2
2.5mm ²	3	3
6mm ²	3.5	3.2
10mm ²	7	4
16mm ²	7	5
25mm ²	8	6.5
35mm ²	8	8.3

INSERT SELECTION TABLE					
CONFIGURATION					
SHELL SIZE 16	SHELL SIZE 25	SHELL SIZE 32	SHELL SIZE 40	SHELL SIZE 50	SHELL SIZE 63
3 x 1.5mm ² + Earth	4 x 1.5mm ² + Earth	12 x 1.5mm ² + Earth	24 x 1.5mm ² + Earth	37 x 1.5mm ² + Earth	49 x 1.5mm ² + Earth
4 x 1.5mm ² + Earth	9 x 1.5mm ² + Earth	19 x 1.5mm ² + Earth	30 x 1.5mm ² + Earth	27 x 2.5mm ² + Earth	60 x 1.5mm ² + Earth
-	12 x 1.5mm ² + Earth	10 x 2.5mm ² + Earth	19 x 2.5mm ² + Earth	13 x 6mm ² + Earth	37 x 2.5mm ² + Earth
-	4 x 2.5mm ² + Earth	12 x 2.5mm ² + Earth	4 x 25mm ² + Earth	-	-
-	7 x 2.5mm ² + Earth	4 x 6mm ² + Earth	4 x 35mm ² + Earth	-	-
-	4 x 6mm ² + Earth	6 x 6mm ² + Earth	-	-	-
-	-	3 x 10mm ² + Earth	-	-	-
-	-	4 x 10mm ² + Earth	-	-	-
-	-	3 x 16mm ² + Earth	-	-	-
-	-	4 x 16mm ² + Earth	-	-	-

Note: Inserts for use in bulkhead receptacles are solder termination only for contact sizes of 6mm² and above.

Hawke Control connectors have a maximum working voltage of 660V DC (660V AC) as standard. 3rd & 4th generation Control connectors can be connected together within certification.

Other voltages available on special request.

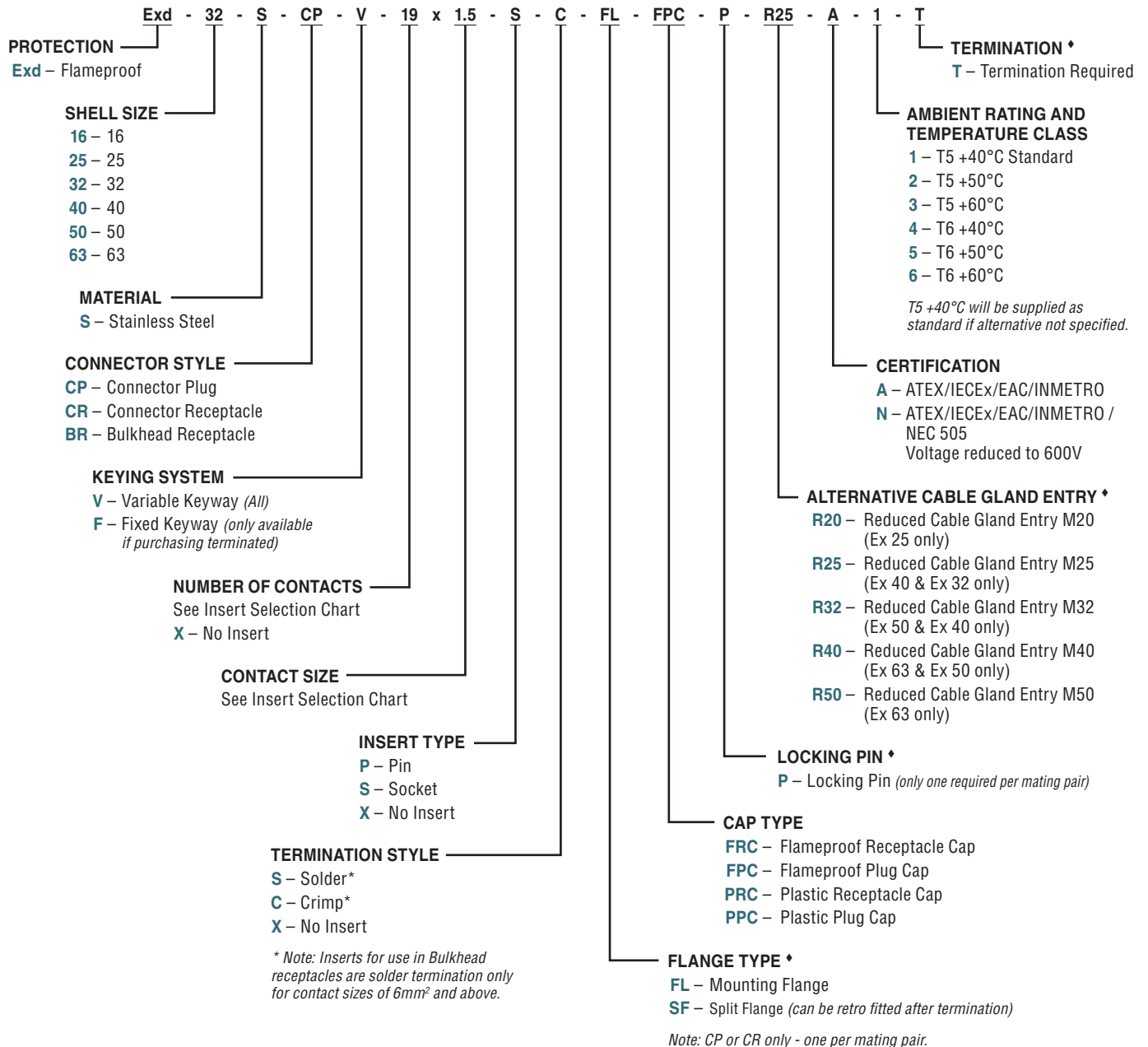


CATALOG LOGIC

Hawke International does not recommend the use of their ControlEx Connectors in applications where rigid PVC/SWA/PVC power cabling (typically to BS 6346 standards or equivalents) is used in portable/semi-portable applications.

When ordering, select relevant code from each block as shown in the example below:

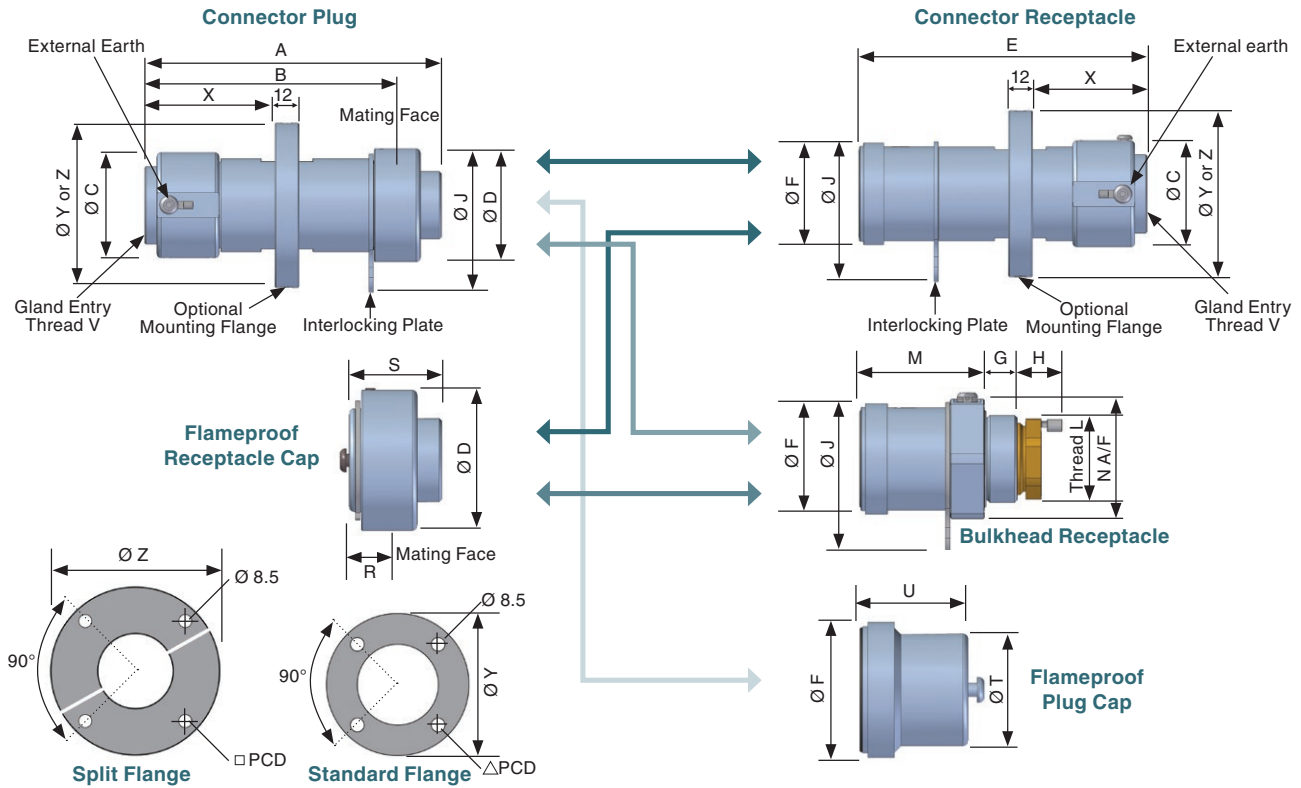
Control^{Ex} / Exd-32-S-CP-V-19 x 1.5-S-C-FL-FPC-P-R25-A-1-T



Ⓞ If not required, omit selection character from order code.



DIMENSIONS



The flameproof cap must be fitted to the connector before the power is restored to the disconnected circuit. The receptacle cap and plug cap are available in acetel and provide an IP rating of IP66/67. They may only be used when the socket or plug is not re-energised following disconnection.

For connector plugs and connector receptacles cable glands are required to terminate incoming cables. Hawke recommend the ICG 653/UNIV cable gland is used.

HAWKE EX SERIES DIMENSIONS (MM)						
DIMENSION	EX16	EX25	EX32	EX40	EX50	EX63
A	127	152	152	152	152	148
B	105	128	129	129	129	126
Ø C	36	46	53	60	66	83
Ø D	37	49	57	65	76	90
E	128	152	152	152	152	152
Ø F	32	45	51	59	70	83
G	15	15	15	15	15	15
H (nominal)	20	20	20	20	20	20
J (Aperture Clearance Hole)	55	65	75	85	95	115
*Thread L (1.5mm Pitch)	M25	M32	M40	M50	M63	M75
M	54	54	56	56	56	56
N A/F	36	46	55	65	80	95
R	15	15	15	16	16	17
S	38	38	38	39	39	40
Ø T	28	34	42	51	60	73
U	40	40	40	40	40	40
Thread V (1.5mm Pitch)	M20	M25	M32	M40	M50	M63
X (nominal)	54	70	70	70	70	67
Ø Y	66	76	83	91	102	117
	49	59	66	74	85	100
Ø Z	87	99	105	117	129	147
	70	82	88	100	112	130

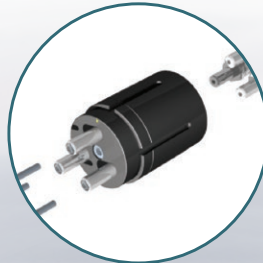
*Bulkhead entry thread L can be adapted to other sizes. This may affect the overall length of unit.



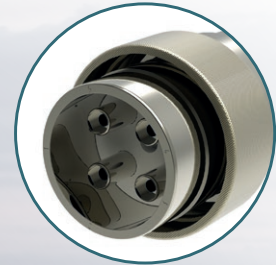
FEATURES



**Running
Coupler**



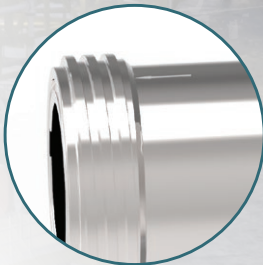
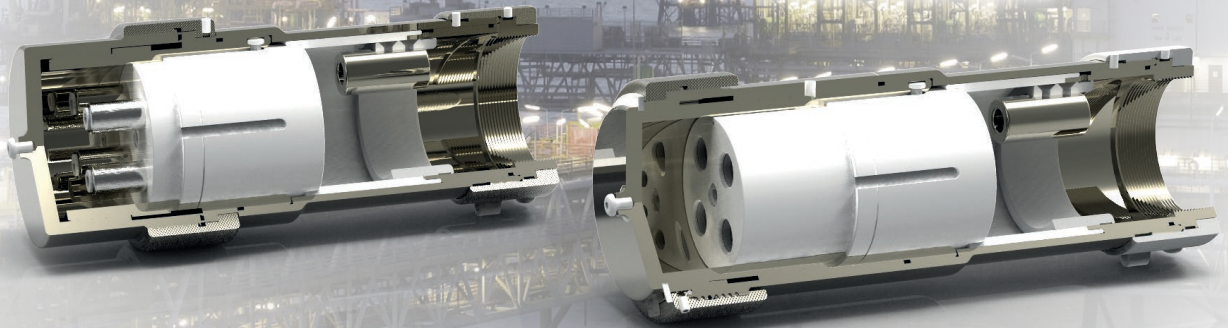
**Easy
Fieldwireable**



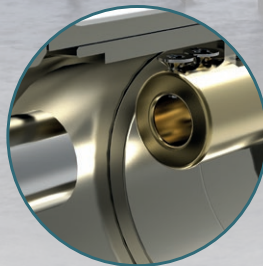
**Keying
Position**

Connector Receptacle - CR

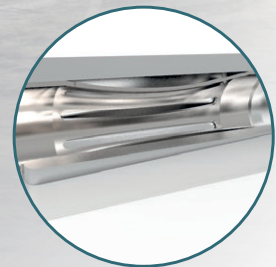
Connector Plug - CP



**Acme Thread
at Mating
Interface**



Internal Earth



**Multilam
Technology**



FEATURES

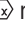


Tamb: -40°C to +60°C  II2 GD Exdb IIC
Extb IIIC Db T85
IP66, 67 & DTS01 deluge protected
Certificate No's Baseefa06ATEX0062X &
IECEX BAS 06.0019X



FEATURES-SPECIFICATIONS

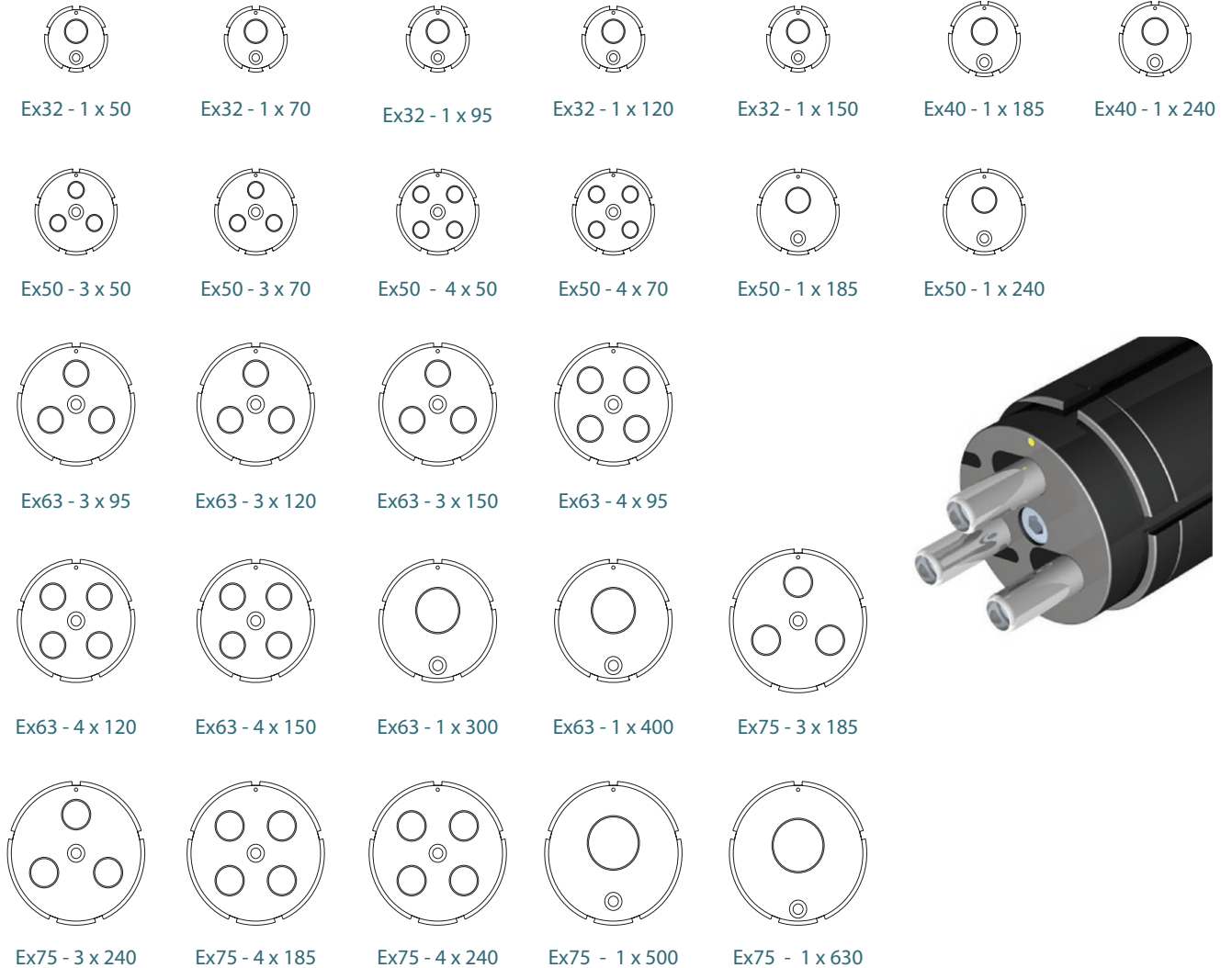
Features

The Power  range of connectors have been designed specifically for the extremely demanding requirements of higher power applications. Inserts are available with 1 to 4 contacts with a conductor acceptance range of between 50mm² and 630mm² operating up to 780A and 750V as standard. Other voltages available on special request.

- **RUNNING COUPLER** – Allows the connector to be installed onto a pre-assembled cable gland.
- **EASY FIELDWIREABLE** – Insert assembled outside connector shell to assist wiring and allow greater flexibility.
- **KEYING POSITION** – The unique visual 5 position insert keying system along with the integral machined keyway prevents contact damage and ensures safe use by eliminating the possibility of misconnection of adjacent circuits.
- **ACME THREAD AT MATING INTERFACE** – Unique ACME thread offers a smooth and quick fully mating action.
- **INTERNAL EARTH** – Internal earth fitted as standard. Size to suit cables earthing facility.
- **MULTILAM TECHNOLOGY** – Tried and tested multiple high contact force, low resistance multilams used in all contacts.



INSERTS



HAWKE EX SERIES DIMENSIONS (MM)

CONFIGURATION				
SHELL SIZE 32	SHELL SIZE 40	SHELL SIZE 50	SHELL SIZE 63	SHELL SIZE 75
1 x 50mm ² + Earth	1 x 185mm ² + Earth	3 x 50mm ² + Earth	3 x 95mm ² + Earth	3 x 185mm ² + Earth
1 x 70mm ² + Earth	1 x 240mm ² + Earth	3 x 70mm ² + Earth	3 x 120mm ² + Earth	3 x 240mm ² + Earth
1 x 95mm ² + Earth	-	4 x 50mm ² + Earth	3 x 150mm ² + Earth	4 x 185mm ² + Earth
1 x 120mm ² + Earth	-	4 x 70mm ² + Earth	4 x 95mm ² + Earth	4 x 240mm ² + Earth
1 x 150mm ² + Earth	-	1 x 185mm ² + Earth	4 x 120mm ² + Earth	1 x 500mm ² + Earth
-	-	1 x 240mm ² + Earth	4 x 150mm ² + Earth	1 x 630mm ² + Earth
-	-	-	1 x 300mm ² + Earth	-
-	-	-	1 x 400mm ² + Earth	-

All Hawke Power[®] connectors have a maximum working voltage of (750V AC).

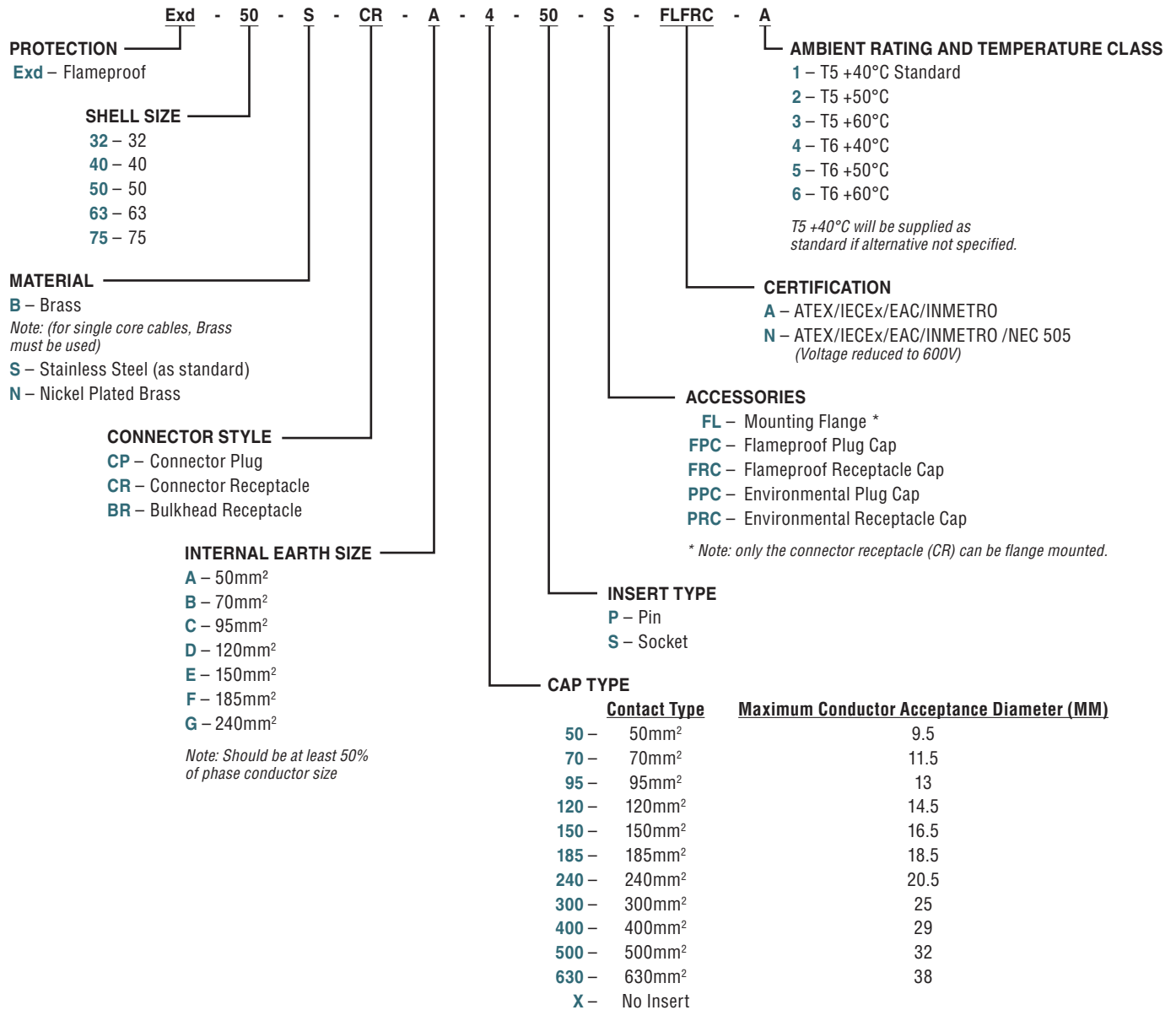
Other voltages and contact configurations also available. contact Hawke International for details.



CATALOG LOGIC

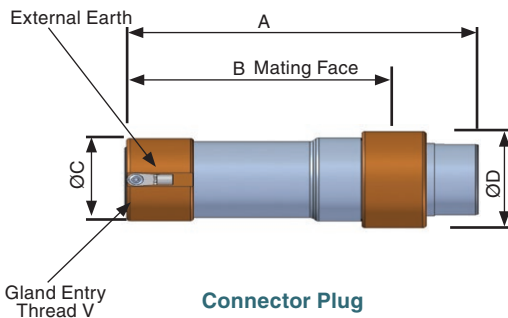
When ordering, select relevant code from each block as shown in the example below:

Power / Exd-50-S-CR-A-4-50-S-FLFRC-A

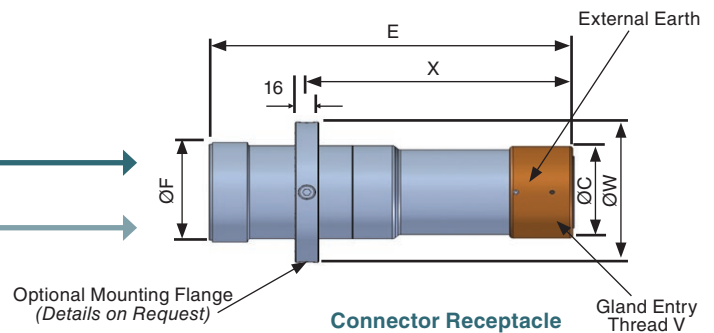




DIMENSIONS

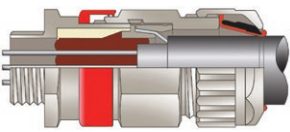


Connector Plug



Connector Receptacle

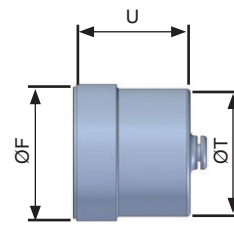
For connector plugs and connector receptacles, cable glands are required to terminate incoming cables. These can be selected from our cable gland section or our website.



These glands include but are restricted to 501/453/UNIV and the ICG 653/UNIV. For portable application Hawke recommend the ICG 653/UNIV cable gland.

ICG 653/UNIV Cable Gland

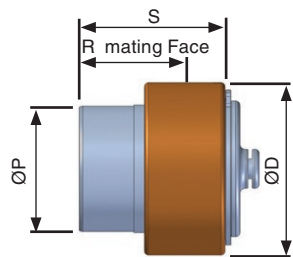
Optional Mounting Flange
(Details on Request)



Flameproof Plug Cap

The flameproof cap must be fitted to the connector before the power is restored to the disconnected circuit.

The receptacle cap and plug cap are available in acetal and provide an IP rating of IP66/67. They may only be used when the socket or plug is not re-energised following disconnection



Flameproof Receptacle Cap

HAWKE EX SERIES DIMENSIONS (MM)

DIMENSION	EX32P	EX40P	EX50P	EX63P	EX75P
A	228	228	228	228	238
B	168	168	168	168	178
ØC	60	66	76	89	101
ØD	73	79	89	102	114
E	251	251	251	251	261
ØF	67	73	82.5	95	108
ØP	48	55	65	78	90
R	60	60	60	60	60
S	75.5	75.5	75.5	75.5	76
ØT	61	68	77	90	102
U	68.5	68.5	68.5	68.5	68.5
Thread V (1.5mm Pitch)	M32*	M40*	M50*	M63*	M75*
ØW	100	106	116	129	141
X	184	184	184	184	194

*Other entry threads also available.



CALCULATIONS

To select the shell size of the connector, it is essential that you calculate the dissipated wattage of the arrangement. This ensures that the arrangement does not exceed the maximum permitted temperature classification with regard to the upper ambient temperature for the area of installation. (Please refer to Table 1 for the maximum allowable dissipated wattage per connector size).

TABLE 1						
CONNECTOR SIZE	UPPER AMBIENT TEMPERATURE OF +40°C		UPPER AMBIENT TEMPERATURE OF +50°C		UPPER AMBIENT TEMPERATURE OF +60°C	
	TEMPERATURE CLASS		TEMPERATURE CLASS		TEMPERATURE CLASS	
	T6	T5	T6	T5	T6	T5
Ex16	5W	7W	4W	6W	2.6W	4.6W
Ex25	8W	11W	6W	10W	4W	7W
Ex32	10.5W	14.5W	8W	12W	5.4W	9W
Ex40	12W	17W	9W	14W	5.5W	10.5W
Ex50	13W	20W	10W	17W	6.5W	12.5W
Ex63	17W	29W	13W	24W	8.5W	17W
Ex32P	20.5W	27.5W	15.75W	26W	7.5W	15.75W
Ex40P	22.5W	30.5W	17.5W	28W	8.7W	17.5W
Ex50P	25.8W	35.3W	20W	32.25W	10W	20W
Ex63P	30.2W	41.5W	23.5W	37.7W	11.7W	23.5W
Ex75P	36.3W	49.5W	28.25W	45.25W	14W	28.25W
Maximum allowable dissipated wattage						

Other ambient temperature options can be extrapolated from Table 1 above, or contact Hawke International for more information.

DISSIPATED WATTAGE CALCULATION

Equation Definitions

- W = Dissipated wattage factor of the connector
- N = The number of conductors to be terminated/number of contacts required.
(Note: A contact comprises of a pin and socket).
- I = The current requirement per contact.
(Note: This must be equal to or less than the maximum current rating of the contact, as shown in table 2).
- R = The combined cable and contact resistance (see table 2)

Values pertinent to these definitions must then be input into the following equation to calculate the dissipated wattage (w) of your chosen arrangement:

$$W = N \times I^2 \times R$$

(Note: The results must be lower than the maximum figure shown in table 1 for the appropriate temperature class and ambient temperature).

e.g. T6 40°C ambient application with 4 x 95mm² conductors, running at 160 amps.

$$N = 4 \text{ CONTACTS} \quad I = 160 \text{ AMPS} \quad R = 0.000283\Omega \quad (95\text{MM}^2 \text{ SOLDERED COMBINED CABLE AND CONTACT RESISTANCE})$$

$$\text{THEREFORE } W = 4 \times 25600 \times 0.000283\Omega = 28.9 \text{ WATTS.}$$

Therefore, an Ex63P Connector should be specified for this application as the shell size can accommodate the required 4 x 95mm² pin/socket inserts (SEE PAGE 68 - Insert Selection Table) and the resultant dissipated wattage (28.9 watts) is below the maximum permitted 30.2 watts (See Table 1).

This equation can also be transposed to facilitate the calculation of the maximum number of conductors permitted in your selected connector j and the maximum allowable current within the upper ambient temperature of our location ②.

$$\textcircled{1} \quad N = \frac{W}{R \times I^2} \qquad \textcircled{2} \quad I = \sqrt{\frac{W}{N \times R}}$$

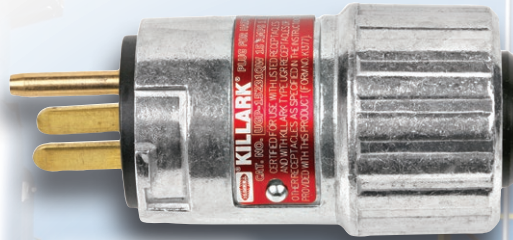
(Note: The result of equation ② must not exceed the maximum current rating of contacts (see Table 2).

Note: Unless otherwise requested, connectors will be marked as T5 with an upper ambient temperature of +40°C.

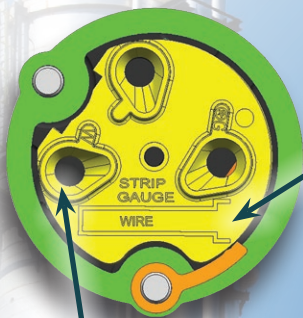
TABLE 2			
CONTACT SIZE	COMBINED CABLE & CONTACT RESISTANCE μ (OHMS)	CONTACT CURRENT RATING	
50mm ²	514	190amps	
70mm ²	387	240amps	
95mm ²	283	290amps	
120mm ²	239	340amps	
150mm ²	202	385amps	
185mm ²	170	440amps	
240mm ²	144	520amps	
300mm ²	82	590amps	
400mm ²	67	670amps	
500mm ²	54	720amps	
630mm ²	45	780amps	
	SOLDERED	CRIMPED	
1.5mm ²	0.0166 Ω	0.0173 Ω	10 amps
2.5mm ²	0.0102 Ω	0.0109 Ω	17 amps
6mm ²	0.0047 Ω	0.0054 Ω	30 amps
10mm ²	0.0027 Ω	0.0033 Ω	78 amps
16mm ²	0.0018 Ω	0.0024 Ω	78 amps
25mm ²	0.0012 Ω	0.0018 Ω	125 amps
35mm ²	0.0009 Ω	0.0015 Ω	125 amps



ACCEPTOR QUICK WIRE PLUG

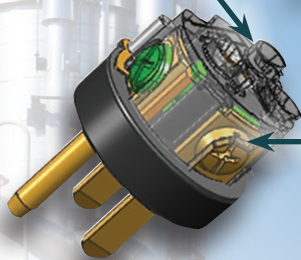


UGPQW PLUG



Built-in wire strip gauge

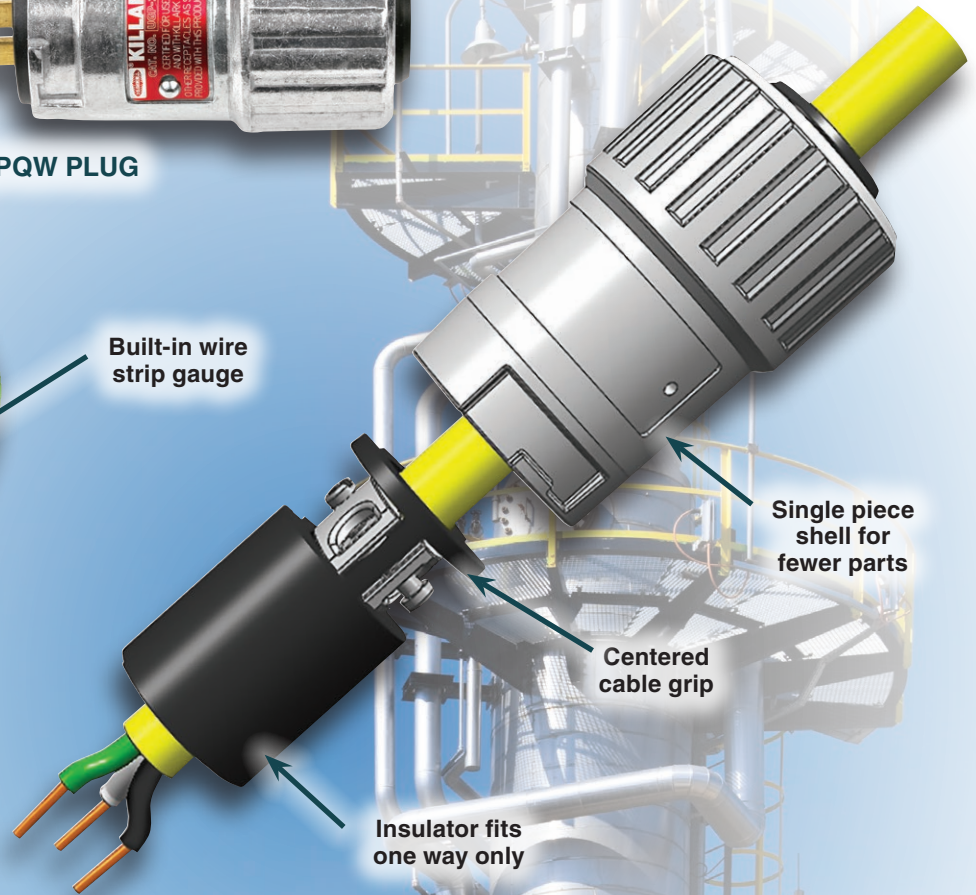
Wire guides enables easy conductor installation



Side tightening terminals use full sized #2 screwdriver (either Flat or Phillips)



Old style insulator requires miniature screwdriver



Single piece shell for fewer parts

Centered cable grip

Insulator fits one way only





CONNECTIVITY
ACCEPTOR® SERIES

UGP BLADED RECEPTACLES

ACCEPTOR®



UGPQW Plug



Quick Wiring Terminals



Class I, Div. 1 & 2, Groups B, C, D
Class I, Zones 1 & 2, Groups IIB+H2, IIA
Class II, Div. 1 & 2, Groups F, G
Class III
Type 3*

 File No. E91049 and/or E53660

 Certified File No. LR14667

* Type 3 rating is achieved with non-Group B configurations when a suitable drain is installed.

FEATURES-SPECIFICATIONS

Features

- The Acceptor Series uses a delayed action, twist-to-lock feature to prevent an engaged plug from being removed under load.
- Intermateable with similar competitive products, including classified for use with Crouse-Hinds® Ark-Gard®2 and Appleton® U-Line® devices.
- Factory sealed chamber in UGR receptacle contains switch's arcing components
- No additional external seals are required, except in Group B applications
- Spring loaded receptacle cover closes when plug is removed to provide protection when not in use

Materials

- Copper-free aluminum (less than 4/10 of 1%) alloy resists corrosion
- Electrostatically applied and baked powder epoxy/polyester finish
- All external hardware is 316 stainless steel to provide low maintenance and long life

Electrical Ratings

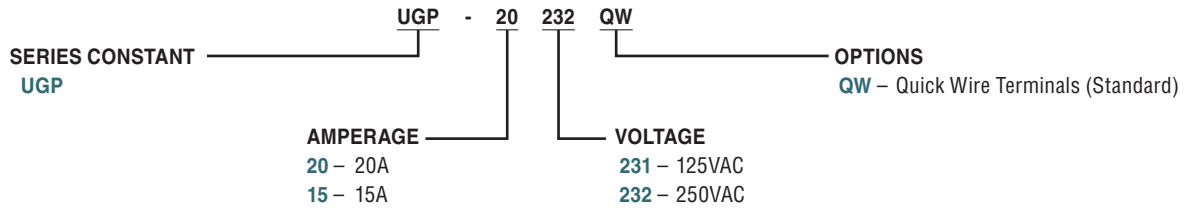
- Amperage = 15A or 20A
- Voltage = 125VAC or 250VAC
- Horsepower = 1 HP @ 125VAC / 2 HP @ 250VAC
- Frequency = 50/60 Hz
- Wire Size = Suitable for #14 - #10 AWG SOOW or similar cable


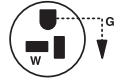


Ark-Gard® is a registered trademark of Crouse-Hinds®.
U-Line® is a registered trademark of Appleton Electric Company®.

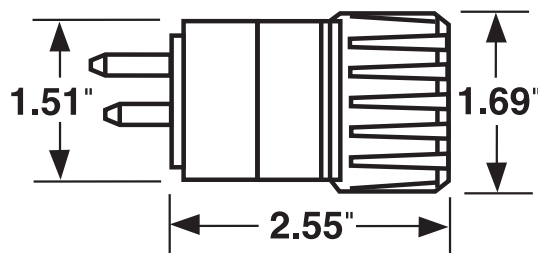


UGP BLADED RECEPTACLES CATALOG LOGIC

UGP PLUGS



VOLTAGE	NEMA CONFIGURATION	CATALOG NUMBER	NEMA CONFIGURATION	CATALOG NUMBER
		15 AMP PLUG W/ QUICK WIRING		20 AMP PLUG W/ QUICK WIRING
125VAC	 5-15P	UGP-15231QW	 5-20P	UGP-20231QW
250VAC	 6-15P	UGP-15232QW	 6-20P	UGP-20232QW



Plug Dimensions



CONNECTIVITY
ACCEPTOR® SERIES

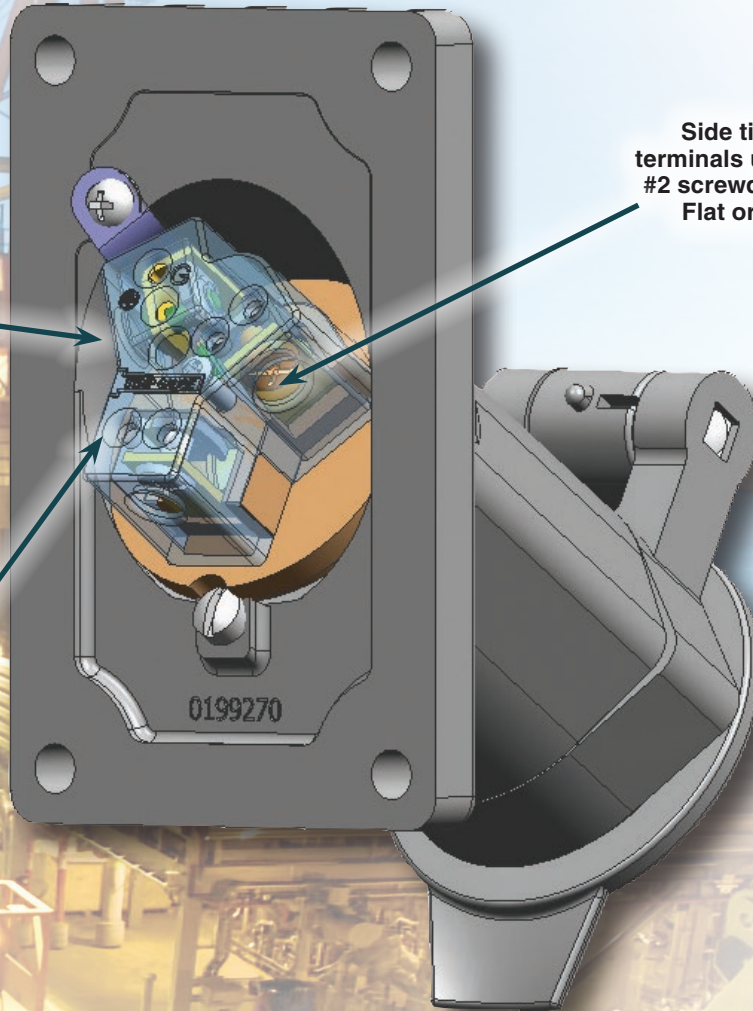
ACCEPTOR QUICK WIRE RECEPTACLE

One or two
conductors per
phase

2nd conductor set feeds
next receptacle in circuit

Wire Guides enable easy
conductor insertion

Side tightening
terminals use full sized
#2 screwdriver (either
Flat or Phillips)



Old Style Terminals

- Recessed – Difficult to attach conductors
- Conductor must be curled – Full engagement uncertain
- Flat Screwdriver only
- Designed for one conductor – required jumper or “double wiring”



UGR BLADED RECEPTACLES

ACCEPTOR®



UGR Receptacle

Class I, Div. 1 & 2, Groups B^①, C, D
Class I, Zones 1 & 2, Groups IIB+H2, IIA
Class II, Div. 1 & 2, Groups F, G
Class III
Type 3*

 File No. E91049 and/or E53660

 Certified File No. LR14667

* Type 3 rating is achieved with non-Group B configurations when a suitable drain is installed.

FEATURES-SPECIFICATIONS

Features

- The Acceptor Series uses a delayed action, twist-to-lock feature to prevent an engaged plug from being removed under load.
- Intermateable with similar competitive products, including classified for use with Crouse-Hinds® Ark-Gard®2 and Appleton® U-Line® devices.
- Factory sealed chamber in UGR receptacle contains switch's arcing components
- No additional external seals are required (Group B rated configurations to be sealed within 6").
- Spring loaded receptacle cover closes when plug is removed to provide protection when not in use
- Replacement Flip Lid Kit = KIT-173
- "T-Slot" Receptacles allow for use of 15 or 20A plugs.

Materials

- Copper-free aluminum (less than 4/10 of 1%) alloy resists corrosion
- Electrostatically applied and baked powder epoxy/polyester finish
- All external hardware is 316 stainless steel to provide low maintenance and long life
- Cover Bolts = Stainless Steel

Electrical Ratings

- Amperage = 15A or 20A
- Voltage = 125VAC or 250VAC
- Horsepower = 1 HP @ 125VAC / 2 HP @ 250VAC
- Frequency = 50/60 Hz
- Wire Size = Suitable for #14 - #10 AWG SOOW or similar cable

Ark-Gard® is a registered trademark of Crouse-Hinds®.

U-Line® is a registered trademark of Appleton Electric Company®.

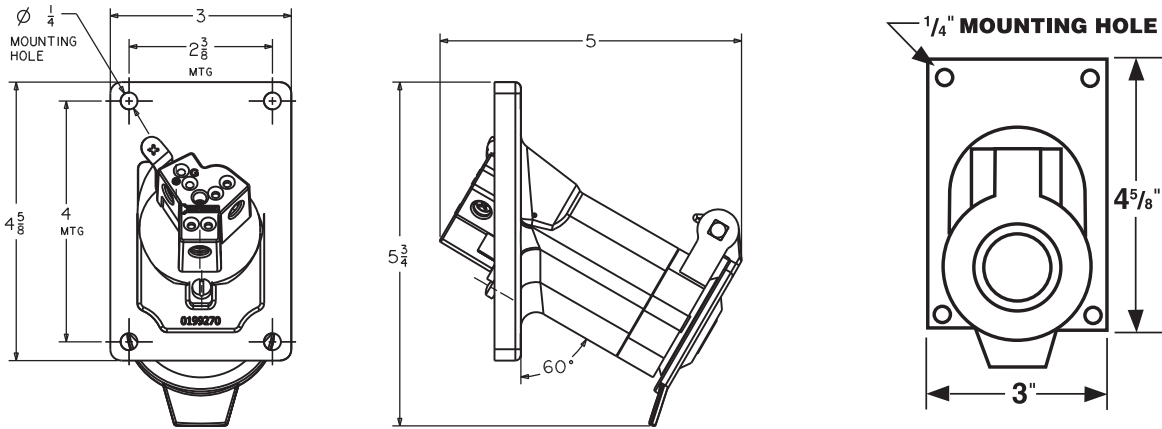
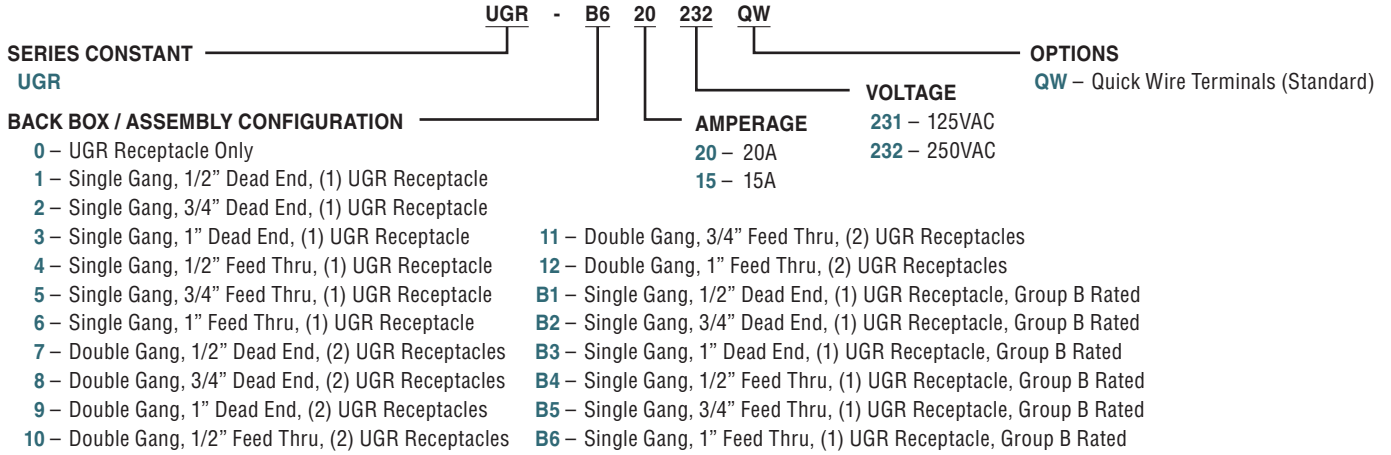
① Plugs rated Group B when used with properly rated and installed receptacles.



CONNECTIVITY
ACCEPTOR® SERIES

UGR BLADED RECEPTACLES CATALOG LOGIC

UGR RECEPTACLES



Receptacle Dimensions



UNIVERSAL ADAPTER KIT



ACCEPTOR® receptacles are available with an adapter kit for mounting to Crouse-Hinds® EDS Series or Appleton® EFD Series back boxes.

ACCEPTOR® receptacles properly installed with these adapter kits are U.L. Listed for use in Class I, Div. 2, Groups B,C,D hazardous locations and Zone II, Groups IIB + H2, IIA.

Kit contains one ACCEPTOR® receptacle plus adapter plate and mounting bolts.

 Listed File No. E91049

 Certified LR14667

UGRA ADAPTER KIT	
NEMA RATING & CONFIGURATION	ADAPTER KIT CATALOG NUMBER
20 Amp 125 Volt 2 POLE 3 WIRE  5-20R	UGRA-20231
20 Amp 250 Volt 2 POLE 3 WIRE  6-20R	UGRA-20232



UGR RECEPTACLE CONFIGURATION TABLE



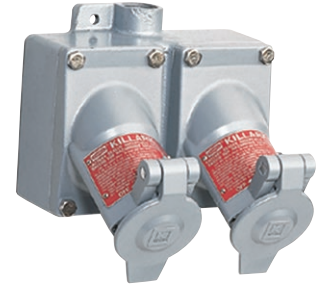
SWB-1, 2, 3




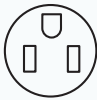


SWB-4, 5, 6



Single Gang



Double Gang

RECEPTACLES AND ASSEMBLIES ^④					
NEMA RATING & CONFIGURATION	ENCLOSURE STYLE	HUB SIZE	SINGLE GANG	DOUBLE GANG	SINGLE GANG GROUP B RATED
20 Amp 125 Volt 2 POLE 3 WIRE  5-20R	RECEPTACLE ONLY	—	UGR0-20231QW	UGR0-20231QW	—
	DEAD END	1/2"	UGR1-20231QW	UGR7-20231QW	UGRB1-20231QW
		3/4"	UGR2-20231QW	UGR8-20231QW	UGRB2-20231QW
		1"	UGR3-20231QW	UGR9-20231QW	UGRB3-20231QW
	FEED-THRU	1/2"	UGR4-20231QW	UGR10-20231QW	UGRB4-20231QW
		3/4"	UGR5-20231QW	UGR11-20231QW	UGRB5-20231QW
		1"	UGR6-20231QW	UGR12-20231QW	UGRB6-20231QW
15 Amp 125 Volt 2 POLE 3 WIRE  5-15R	RECEPTACLE ONLY	—	UGR0C-15231QW	UGR0C-15231QW	—
	DEAD END	1/2"	UGR1C-15231QW	UGR7C-15231QW	UGRB1C-15231QW
		3/4"	UGR2C-15231QW	UGR8C-15231QW	UGRB2C-15231QW
		1"	UGR3C-15231QW	UGR9C-15231QW	UGRB3C-15231QW
	FEED-THRU	1/2"	UGR4C-15231QW	UGR10C-15231QW	UGRB4C-15231QW
		3/4"	UGR5C-15231QW	UGR11C-15231QW	UGRB5C-15231QW
		1"	UGR6C-15231QW	UGR12C-15231QW	UGRB6C-15231QW
20 Amp 250 Volt 2 POLE 3 WIRE  6-20R	RECEPTACLE ONLY	—	UGR0-20232QW	UGR0-20232QW	—
	DEAD END	1/2"	UGR1-20232QW	UGR7-20232QW	UGRB1-20232QW
		3/4"	UGR2-20232QW	UGR8-20232QW	UGRB2-20232QW
		1"	UGR3-20232QW	UGR9-20232QW	UGRB3-20232QW
	FEED-THRU	1/2"	UGR4-20232QW	UGR10-20232QW	UGRB4-20232QW
		3/4"	UGR5-20232QW	UGR11-20232QW	UGRB5-20232QW
		1"	UGR6-20232QW	UGR12-20232QW	UGRB6-20232QW
15 Amp 250 Volt 2 POLE 3 WIRE  6-15R	RECEPTACLE ONLY	—	UGR0C-15232QW	UGR0C-15232QW	—
	DEAD END	1/2"	UGR1C-15232QW	UGR7C-15232QW	UGRB1C-15232QW
		3/4"	UGR2C-15232QW	UGR8C-15232QW	UGRB2C-15232QW
		1"	UGR3C-15232QW	UGR9C-15232QW	UGRB3C-15232QW
	FEED-THRU	1/2"	UGR4C-15232QW	UGR10C-15232QW	UGRB4C-15232QW
		3/4"	UGR5C-15232QW	UGR11C-15232QW	UGRB5C-15232QW
		1"	UGR6C-15232QW	UGR12C-15232QW	UGRB6C-15232QW



CONNECTIVITY ACCEPTOR® SERIES

UGRC IN-LINE CONNECTOR RECEPTACLES

ACCEPTOR®



Connector with
Breech-Lock Cap



"3rd Hand"
Operation

Class I, Div. 1 & 2, Groups B, C, D
(Canada Only)
Class I, Zones 1 & 2, Groups IIB+H2, IIA
Class II, Div. 1 & 2, Groups F, G
Class III
Type 3, 4X

 Certified File No. 2177259



Connector shown
with ACCEPTOR UGRP
receptacle mounted
in explosion proof
Quantum® enclosure



Flip Cap

FEATURES-SPECIFICATIONS

Features

- The Acceptor Series uses a delayed action, twist-to-lock feature to prevent an engaged plug from being removed under load.
- Intermateable with similar competitive products, including certified for use with Crouse-Hinds® Ark-Gard®2 and Appleton® U-Line® devices.
- Available with the exclusive **BREECH-LOCK CAP** – patented notch provides “3rd Hand” operation, so the lid stays open while engaging plug
- Factory Sealed Construction
- Dead Front Construction with integral switch – requires Hazardous Rated NEMA Bladed plug for operation
- Breech Cap models Type 4X rated with lid closed and turned, Type 3 when plug engaged. Flip Lid models Type 3 with hinge in up position.
- “T-Slot” Receptacles allow for use of 15 or 20A plugs.
- Replacement Breech Cap Lid Kit = KIT-173B
- Replacement Flip Lid Kit = KIT-173

Materials

- Copper-free aluminum (less than 4/10 of 1%) alloy resists corrosion
- Electrostatically applied and baked powder epoxy/polyester finish

Electrical Ratings

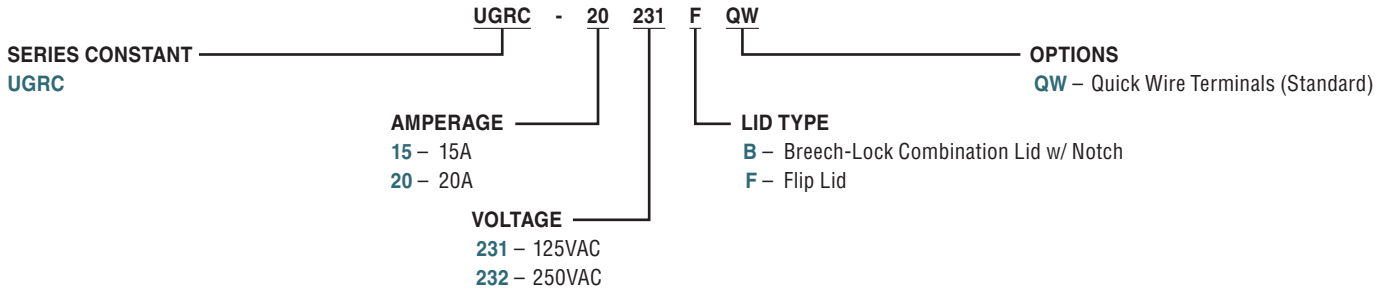
- Amperage = 15A or 20A
- Voltage = 125VAC or 250VAC
- Horsepower = 1 HP @ 125VAC / 2 HP @ 250VAC
- Frequency = 50/60 Hz
- Wire Size = Suitable for 14-10 gauge SOOW or similar cable

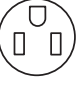
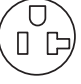
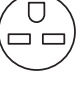
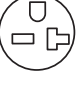
Ark-Gard® is a registered trademark of Crouse-Hinds®.
U-Line® is a registered trademark of Appleton Electric Company®.



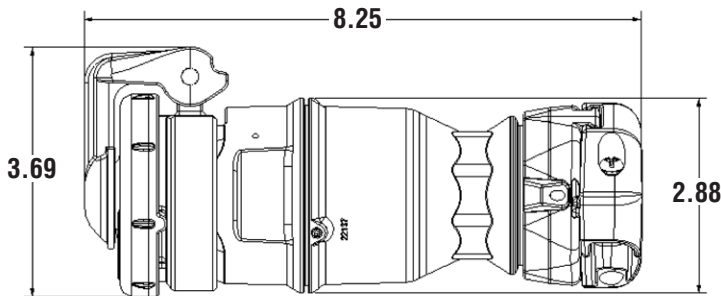
UGRC IN-LINE CONNECTOR RECEPTACLES CATALOG LOGIC

UGRC CONNECTOR RECEPTACLES

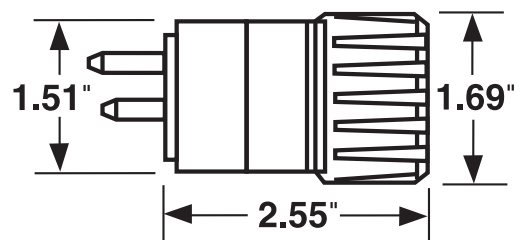


NEMA CONFIGURATION	125V CONNECTOR CAP STYLE	CATALOG NUMBER
15 AMP 125 VOLT 2 POLE 3 WIRE  5-15R	Breech-Lock with Notch Flip Type	UGRC-15231BQW UGRC-15231FQW
	Killark 125V Plugs 15 Amp	UGP-15231QW
20 AMP 125 VOLT 2 POLE 3 WIRE  5-20R with T-slots	Breech-Lock with Notch Flip Type	UGRC-20231BQW UGRC-20231FQW
	Killark 125V Plugs 20 Amp 15 Amp	UGP-20231QW UGP-15231QW
250V CONNECTOR CAP STYLE		
15 AMP 250 VOLT 2 POLE 3 WIRE  6-15R	Breech-Lock with Notch Flip Type	UGRC-15232BQW UGRC-15232FQW
	Killark 250V Plugs 15 Amp	UGP-15232QW
20 AMP 250 VOLT 2 POLE 3 WIRE  6-20R with T-slots	Breech-Lock with Notch Flip Type	UGRC-20232BQW UGRC-20232FQW
	Killark 250V Plugs 20 Amp 15 Amp	UGP-20232QW UGP-15232QW

DIMENSIONS



UGRC Connector
Breech cap model shown, Flip cap model
dimensions are similar



UGP Plug



CONNECTIVITY ACCEPTOR® SERIES

UGRP PANEL RECEPTACLES

ACCEPTOR®



Breach Cap Model



Flip Cap



Typical Installation

Class I, Div. 1 & 2, Groups B, C, D^①
Class I, Zones 1 & 2, Groups IIB+H2, IIA
Class II, Div. 1 & 2, Groups F, G
Class III
Type 3, 4X



Certified File No. 2218704

FEATURES-SPECIFICATIONS

Features

- The Acceptor Series uses a delayed action, twist-to-lock feature to prevent an engaged plug from being removed under load.
- Intermateable with similar competitive products, including certified for use with Crouse-Hinds® Ark-Gard®2 and Appleton® U-Line® devices.
- Available with the exclusive **BRECH-LOCK CAP** – patented notch provides “3rd Hand” operation, so the lid stays open while engaging plug
- Factory Sealed Construction
- Dead Front Construction with integral switch – requires Hazardous Rated NEMA Bladed plug for operation
- Class I Div.1 B,C,D in enclosures certified to 325 explosive PSI (2”-11½ NPSM threads). Class I Div. 2 in standard location enclosures using only non-arcing components.
- Breach Cap models Type 4X rated with lid closed and turned, Type 3 when plug engaged. Flip Lid models Type 3 with hinge in up position.
- “T-Slot” Receptacles allow for use of 15 or 20A plugs.
- Replacement Breach Cap Lid Kit = KIT-173B
- Replacement Flip Lid Kit = KIT-173

Materials

- Copper-free aluminum (less than 4/10 of 1%) alloy resists corrosion
- Electrostatically applied and baked powder epoxy/polyester finish

Electrical Ratings

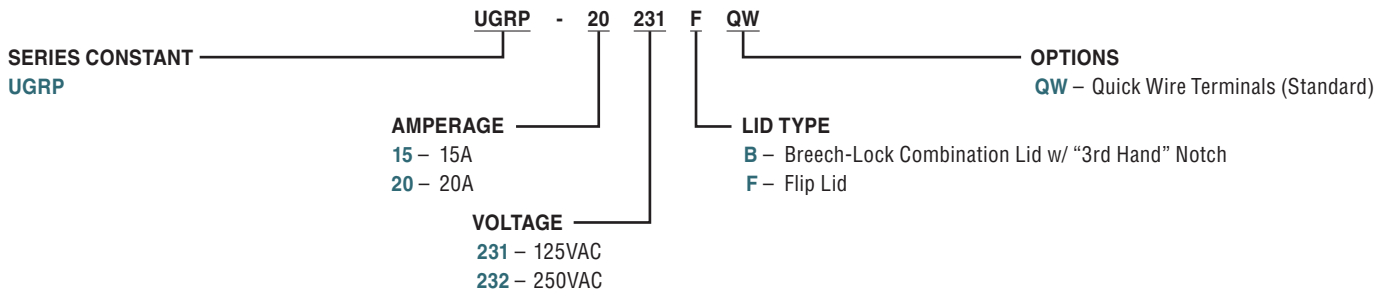
- Amperage = 15A or 20A
- Voltage = 125VAC or 250VAC
- Horsepower = 1 HP @ 125VAC / 2 HP @ 250VAC
- Frequency = 50/60 Hz
- Wire Size = Suitable for 14-10 gauge SOOW or similar cable

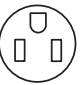
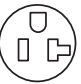
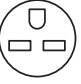
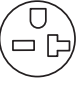
Ark-Gard® is a registered trademark of Crouse-Hinds®.
U-Line® is a registered trademark of Appleton Electric Company®.



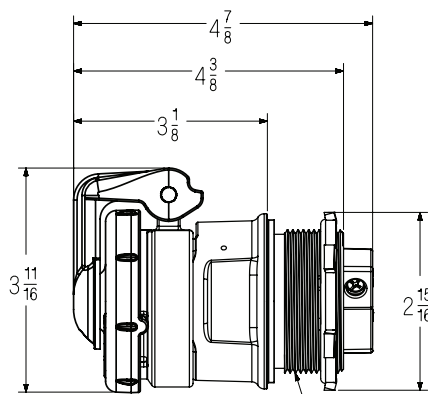
UGRP PANEL RECEPTACLES CATALOG LOGIC

UGRP PANEL MOUNT RECEPTACLES

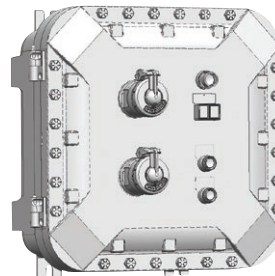


NEMA CONFIGURATION	125V PANEL RECEPTACLE CAP STYLE	CATALOG NUMBER
15 AMP 125 VOLT 2 POLE 3 WIRE  5-15R	Breech-Lock with Notch Flip Type	UGRP-15231BQW UGRP-15231FQW
	Killark 125V Plugs 15 Amp	UGP-15231QW
20 AMP 125 VOLT 2 POLE 3 WIRE  5-20R with T-slots	Breech-Lock with Notch Flip Type	UGRP-20231BQW UGRP-20231FQW
	Killark 125V Plugs 20 Amp 15 Amp	UGP-20231QW UGP-15231QW
250V PANEL RECEPTACLE CAP STYLE		
15 AMP 250 VOLT 2 POLE 3 WIRE  6-15R	Breech-Lock with Notch Flip Type	UGRP-15232BQW UGRP-15232FQW
	Killark 250V Plugs 15 Amp	UGP-15232QW
20 AMP 250 VOLT 2 POLE 3 WIRE  6-20R with T-slots	Breech-Lock with Notch Flip Type	UGRP-20232BQW UGRP-20232FQW
	Killark 250V Plugs 20 Amp 15 Amp	UGP-20232QW UGP-15232QW

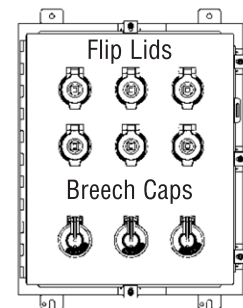
DIMENSIONS



Breech Cap model shown.
Flip Cap model dimensions are similar



Typical CLI Div. I application



Typical CLI Div. 2 application



CONNECTIVITY

ACCEPTOR® SERIES

UGRS RECEPTACLES

ACCEPTOR®



Breech Cap Model



Flip Cap

Class I, Div. 2, Groups B, C, D
Class I, Zone 2, Groups IIB+H2, IIA
Class II, Div. 1 & 2, Groups F, G
Class III
Type 3, 4X



Certified File No. 2218704

FEATURES-SPECIFICATIONS

Features

- The Acceptor Series uses a delayed action, twist-to-lock feature to prevent an engaged plug from being removed under load.
- Intermateable with similar competitive products, including certified for use with Crouse-Hinds® Ark-Gard®2 and Appleton® U-Line® devices.
- Available with the exclusive **BREECH-LOCK CAP** – patented notch provides “3rd Hand” operation, so the lid stays open while engaging plug
- Breech Cap models Type 4X rated with lid closed and turned, Type 3 when plug engaged. Flip Lid models Type 3 with hinge in up position.
- “T-Slot” Receptacles allow for use of 15 or 20A plugs.
- Replacement Breech Cap Lid Kit = KIT-173B
- Replacement Flip Lid Kit = KIT-173
- Utilize Versamate mounting boxes, with a rotateable design to allow more installation options.
- Suitable for install on sheet metal enclosures which contain no arcing or sparking devices.

Materials

- Copper-free aluminum (less than 4/10 of 1%) alloy resists corrosion.
- Electrostatically applied and baked powder epoxy / polyester finish.
- Gaskets = Rubber
- External Hardware = Stainless Steel

Electrical Ratings

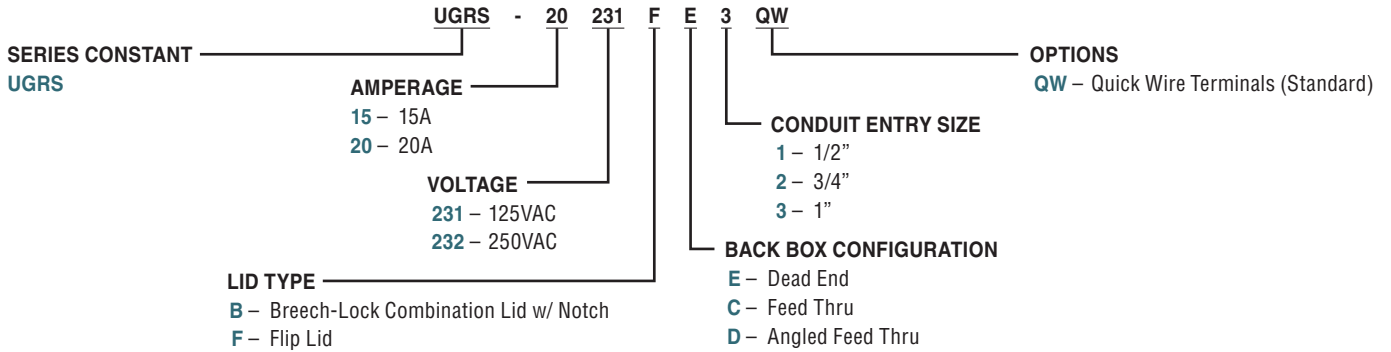
- Amperage = 15A or 20A
- Voltage = 125VAC or 250VAC
- Horsepower = 1 HP @ 125VAC / 2 HP @ 250VAC
- Frequency = 50/60 Hz

Ark-Gard® is a registered trademark of Crouse-Hinds®.
U-Line® is a registered trademark of Appleton Electric Company®.



UGRS RECEPTACLES CATALOG LOGIC

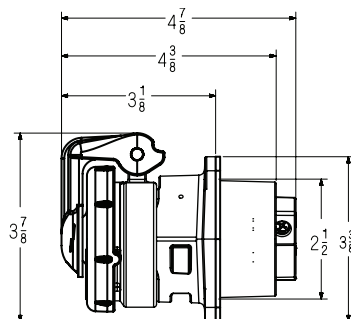
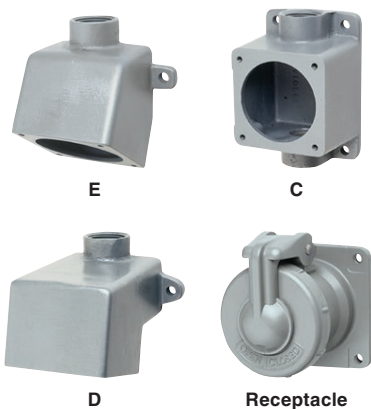
UGRS SQUARE MOUNT RECEPTACLES



UGRS RECEPTACLE & BACKBOXES				
	E TYPE DEAD END	C TYPE FEED THRU	D TYPE ANGLED FEED THRU	RECEPTACLE ONLY
15A 125V	UGRS-15231BE2QW	UGRS-15231BC2QW	UGRS-15231BD2QW	UGRS-15231BQW
20A 125V	UGRS-20231BE2QW	UGRS-20231BC2QW	UGRS-20231BD2QW	UGRS-20231BQW
15A 250V	UGRS-15232BE2QW	UGRS-15232BC2QW	UGRS-15232BD2QW	UGRS-15232BQW
20A 250V	UGRS-20232BE2QW	UGRS-20232BC2QW	UGRS-20232BD2QW	UGRS-20232BQW

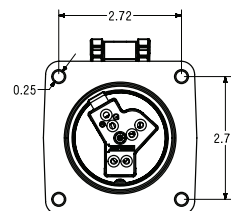
Boxes listed are for 3/4" NPT entries. For 1/2" NPT entries, change the bold digit to "1"; for 1" entries, change the bold digit to "3".

NEMA CONFIGURATION	125V SQUARE RECEPTACLE CAP STYLE	CATALOG NUMBER
15 AMP 125 VOLT 2 POLE 3 WIRE 5-15R	Breech-Lock with Notch Flip Type	UGRS-15231BQW UGRS-15231FQW
	Killark 125V Plugs 15 Amp	UGP-15231QW
20 AMP 125 VOLT 2 POLE 3 WIRE 5-20R with T-slots	Breech-Lock with Notch Flip Lid Type	UGRS-20231BQW UGRS-20231FQW
	Killark 125V Plugs 20 Amp 15 Amp	UGP-20231QW UGP-15231QW
250V SQUARE RECEPTACLE CAP STYLE		
15 AMP 250 VOLT 2 POLE 3 WIRE 6-15R	Breech-Lock with Notch Flip Type	UGRS-15232BQW UGRS-15232FQW
	Killark 250V Plugs 15 Amp	UGP-15232QW
20 AMP 250 VOLT 2 POLE 3 WIRE 6-20R with T-slots	Breech-Lock with Notch Flip Lid Type	UGRS-20232BQW UGRS-20232FQW
	Killark 250V Plugs 20 Amp 15 Amp	UGP-20232QW UGP-15232QW

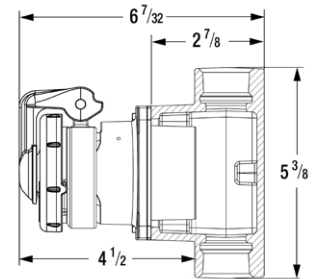


UGRS Receptacle (No Splice Box)

DIMENSIONS



UGRS Receptacle Mounting Dimensions



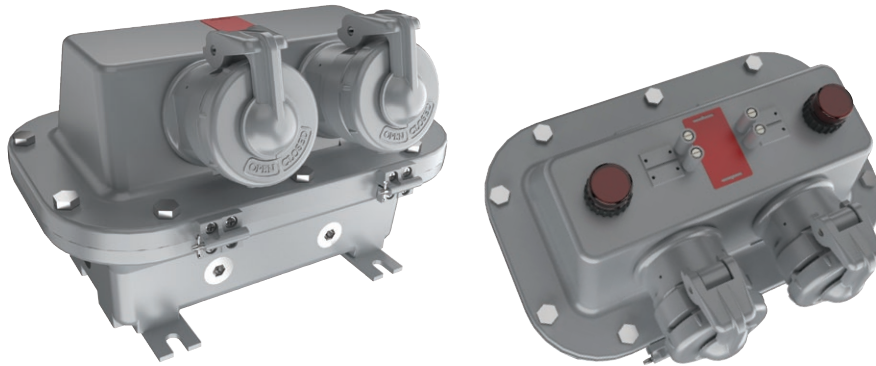
Example UGRS Complete Assembly

Breech Cap model shown.
Flip Cap model dimensions are similar



UGR4X DUPLEX GFCI RECEPTACLE

ACCEPTOR[®]



Class I, Div. 1 & 2, Groups C, D
Class I, Zones 1 & 2, Groups IIB, IIA
Class II, Div. 1 & 2, Groups F,G
Class III
Type 3, 4, 4X



Certified File No. 70169491

FEATURES-SPECIFICATIONS

Features

- The Acceptor UGR4X receptacle complements the UGP/UGR Series of plugs and receptacles.
- Used with Acceptor plugs, the UGR4X offers a duplex design for multiple equipment hookup in hazardous location areas, while providing Type 4X ratings when not in use.
- GFCI option also provides circuit protection, for connected apparatus, against current overload and short circuits (20A/125VAC configuration only). Indicating lights and GFCI Resets provide full status and functionality indication.
- UGR4X Receptacles are interchangeable and certified for use with other NEMA bladed type explosion-proof and dust ignition proof plugs, including Crouse-Hinds[®] Ark-Gard[®]2 and Appleton[®] U-Line[®] equipment.
- Exclusive Breech-Lock Cap - patented notch provides "3rd Hand" operation, so the lid stays open while engaging plug.
- Factory Sealed Construction (Non-GFCI Version)
- Dead Front Construction with integral switch - requires Hazardous Rated NEMA Bladed plug for operation.

Materials

- Copper-free aluminum (less than 4/10 of 1%) alloy resists corrosion
- Electrostatically applied and baked powder epoxy / polyester finish
- Gasket = Silicone
- External Hardware = Stainless Steel

Electrical Ratings

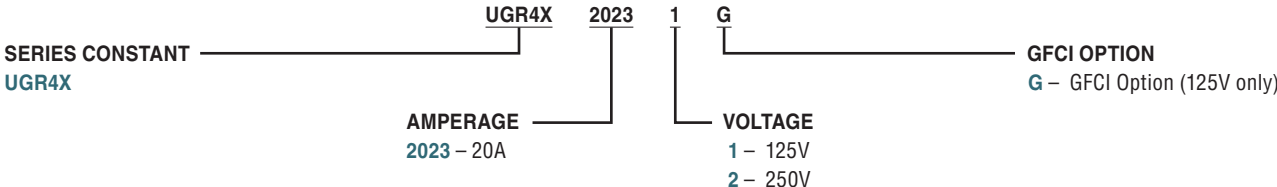
- Amperage = 15A or 20A
- Voltage = 125VAC or 250VAC
- Frequency = 60Hz
- GFCI = 5mA Trip

*Ark-Gard[®] is a registered trademark of Crouse-Hinds[®].
U-Line[®] is a registered trademark of Appleton Electric Company[®].*

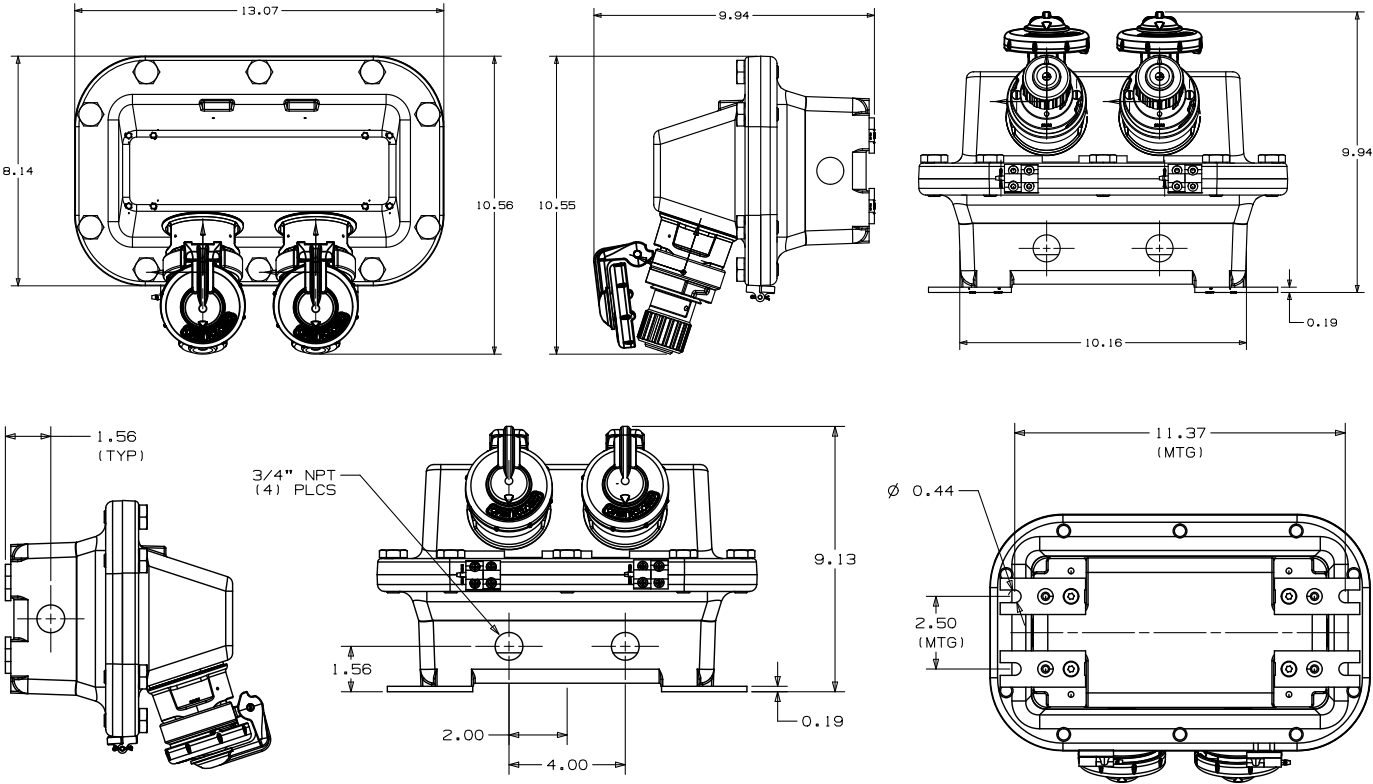


UGR4X DUPLEX GFCI RECEPTACLE CATALOG LOGIC

UGR4X CATALOG LOGIC



DIMENSIONS





CONNECTIVITY
ACCEPTOR® SERIES

UGFI / UGRGF GROUND FAULT PROTECTOR RECEPTACLES

ACCEPTOR®



UGRGF



UGFI Adapter Unit

UGRGF

- Class I, Div. 1 & 2, Groups C, D
- Class I, Zones 1 & 2, Groups IIB, IIA
- Class II, Div. 1 & 2, Groups F, G
- Class III
- Type 3



UGFI Adapter Unit

- Class I, Div. 2, Groups B, C, D
- Class I, Zone 2, Groups IIB+H2, IIA
- Class II, Div. 1 & 2, Groups F, G
- Class III, Div. 1 & 2
- Type 3

UGFI Hard-Wired Unit

- Class I, Div. 1 & 2, Groups B, C, D
- Class I, Zones 1 & 2, Groups IIB+ H2, IIA
- Class II, Div. 1 & 2, Groups F, G
- Class III, Div. 1 & 2
- Type 3



FEATURES-SPECIFICATIONS

Features

- The Acceptor Series uses a delayed action, twist-to-lock feature to prevent an engaged plug from being removed under load.
- Intermateable with similar competitive products, including certified / classified for use with Crouse-Hinds® Ark-Gard®2 and Appleton® U-Line® devices.
- Factory Sealed (Hard Wired GFCI Units in Group B areas to be sealed within 6" of enclosure)
- Type 3 Weather Ratings
- GFCI Protection for superior protection.

UGRGF Features

- Test/Reset Push Buttons provided as standard, with optional indicating Pilot Light

UGFI Features

- Adapter Unit provided with 36" cord and Acceptor Plug
- Indicating Pilot Light included as standard
- Units can be padlocked in the "OFF" position for added safety features

Materials

- Copper-free aluminum (less than 4/10 of 1%) alloy resists corrosion.
- Electrostatically applied and baked powder epoxy / polyester finish.
- Gasket = Silicone
- External Hardware = Stainless Steel

Electrical Rating

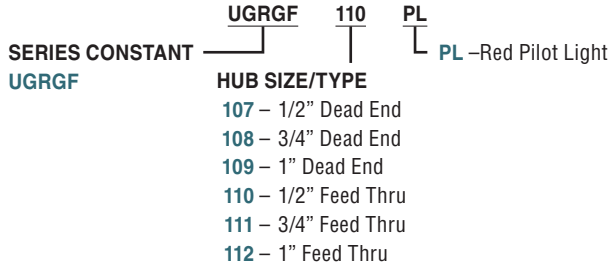
- Amperage = 15A or 20A
- Voltage = 125VAC or 250VAC
- Frequency = 50/60 Hz
- GFI Units rated 20A, 125V, 60Hz, Class A
- 5 milliamp trip setting
- UGFI 2-Pole 250V configurations are only suitable for "2-hot wire" connections, such as 120/240V or 120/208 'Wye / Y' Grounded power supply systems. "Delta" supply systems are not supported.

Ark-Gard® is a registered trademark of Crouse-Hinds®.
U-Line® is a registered trademark of Appleton Electric Company®.

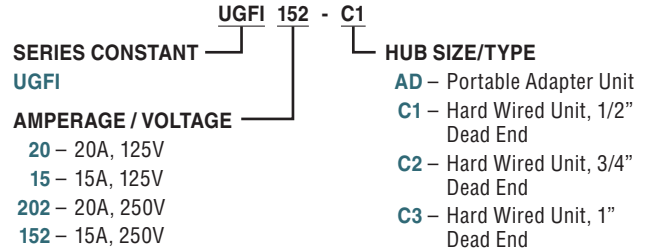


UGFI / UGRGF GROUND FAULT PROTECTOR RECEPTACLES - CATALOG LOGIC

UGRGF GFCI RECEPTACLES



UGFI GFCI RECEPTACLES

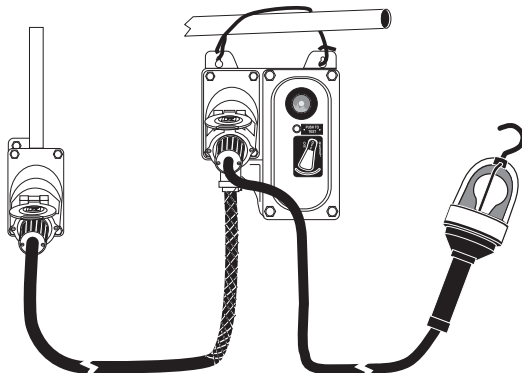


NEMA RATING & CONFIGURATION	ENCLOSURE STYLE	HUB SIZE	CATALOG NUMBER
20A, 125V, 2P, 3W	Dead End	1/2"	UGRGF107
	Dead End	3/4"	UGRGF108
	Dead End	1"	UGRGF109
	Feed Thru	1/2"	UGRGF110
	Feed Thru	3/4"	UGRGF111
	Feed Thru	1"	UGRGF112

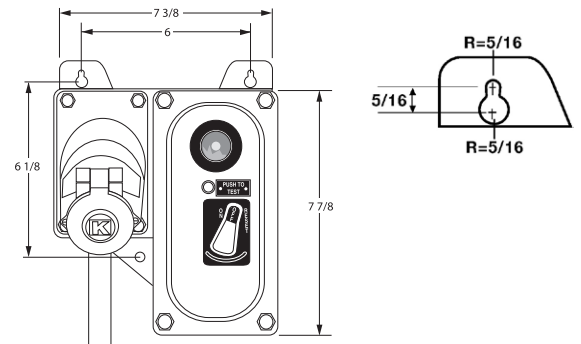
GFCI RECEPTACLE ADAPTER (W/CORD SET)		
20A 125V ②	UGFI20AD	 5-20R
15A 125V ②	UGFI15AD	 5-15R
20A 250V ②③	UGFI202AD	 6-20R
15A 250V ②③	UGFI152AD	 6-15R

HARD WIRED (PERMANENTLY MOUNTED) GFCI RECEPTACLE			
20A 125V ②	 5-20R	1/2" HUB 3/4" HUB 1" HUB	UGFI20C1 UGFI20C2 UGFI20C3
15A 125V ②	 5-15R	1/2" HUB 3/4" HUB 1" HUB	UGFI15C1 UGFI15C2 UGFI15C3
20A 250V ②③	 6-20R	1/2" HUB 3/4" HUB 1" HUB	UGFI202C1 UGFI202C2 UGFI202C3
15A 250V ②③	 6-15R	1/2" HUB 3/4" HUB 1" HUB	UGFI152C1 UGFI152C2 UGFI152C3

UGFI ADAPTER UNIT



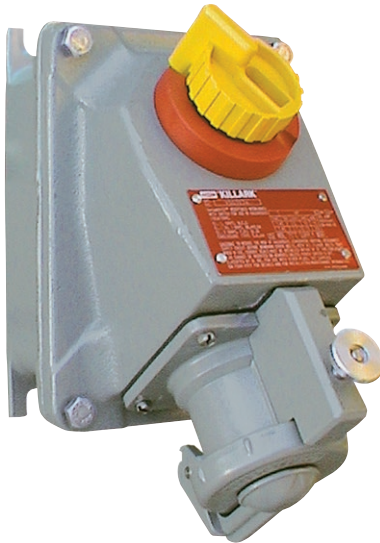
UGFI HARD-WIRED UNIT





CONNECTIVITY
VERSAMATE® SERIES

VSQ/VWSQ SWITCHED RECEPTACLES



Plug

VSQ Hazardous Location Ratings

- Class I, Div. 1 & 2, Groups B, C, D
- Class I, Zones I & 2, Groups IIB+H2, IIA
- Class II, Div. 1 & 2, Groups F & G
- Class III
- Type 3, 4, 4X

VWSQ for Wet & Corrosive Locations

- Type 3, 4, 4X

VSQ  File No. LR14667

VWSQ  File No. E216488

FEATURES-SPECIFICATIONS

Features

- Type 4X with receptacle lid turned shut or with plug locking ring tightened
- Compact size and footprint
- Plug Interlock Mechanism for Dead-front construction. Switch cannot be turned “ON” without fully inserted plug. Plug cannot be removed with switch in “ON” position
- Plug held in place when switch is “Off” for convenience. Pull operated release mechanism. Plug and wiring do not have to be twisted or held to operate switch
- Factory Wired Receptacle; easy to wire line side of switch
- Easily visible “On-Off” indicator handle
- “Off” position is padlockable for maintenance safety
- Feed-through construction
- Horsepower rated (Internal Switch Only) as “Motor Disconnect”
- VSQ/VWSQ 30 Amp models come standard with 1” drilled and tapped conduit openings top and bottom plus two 1” x 3/4” reducers and one 3/4” close-up plug for maximum flexibility.
- 60 amp models come with 1-1/2” openings top and bottom and one 1-1/2” close-up plug.
- VSQ & VWSQ Receptacle covers are NOT interchangeable.
- Ordinary twist type wire connectors are used for final connections on 30A. 60A devices have terminal blocks
- UL 1686-C1 Intermateable with similar competitive products, including classified / certified for use with Crouse-Hinds® Arkтите® and Appleton® Powertite® devices.

Arkтите® is a registered trademark of Crouse-Hinds®.

Powertite® is a registered trademark of Appleton Electric Company®.

Materials

- Copper-free aluminum construction with electrostatically applied polyester/epoxy finish.
- Handle mechanism is chemical resistant Valox® (TM General Electric).
- External Hardware = Stainless

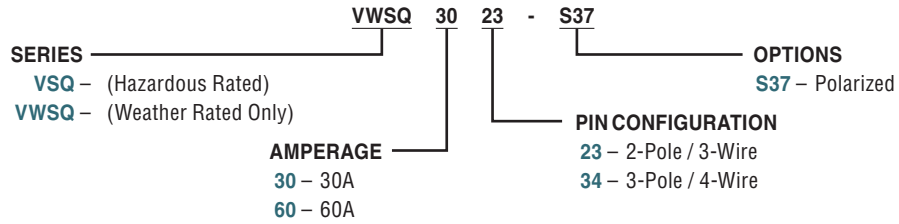
Electrical Ratings

- Amperage = 30A or 60A
- Voltage = Up to 600VAC
- Frequency = 50/60 Hz
- Wire Range
 - » 30 Amp Regular Stranding Max #10
 - » 60 Amp Regular Stranding Max #4
- Auxiliary Contact (late-make early-break) contact rated 10 Amp, 1/3 HP at 125/250 VAC. Can be used for operating pilot lights or starter coils (standard model only)

HORSEPOWER RATINGS (VAC)		120	240	480	600
30A	1Ø	2	5	10	15
	3Ø	3	7.5	15	20
60A	1Ø	–	10	15	20
	3Ø	–	10	25	30



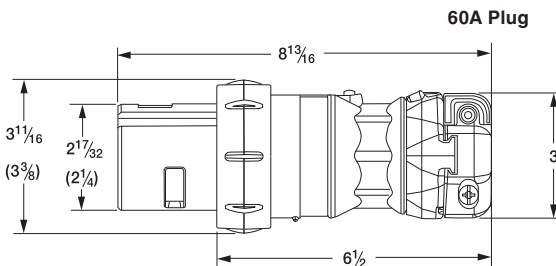
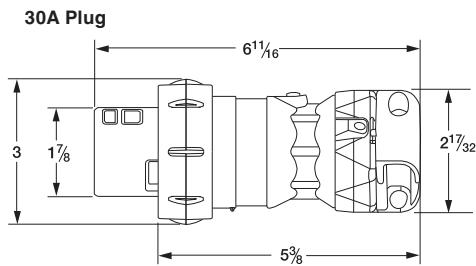
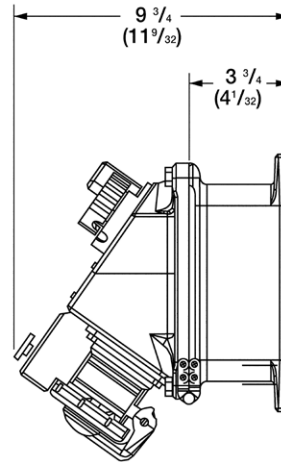
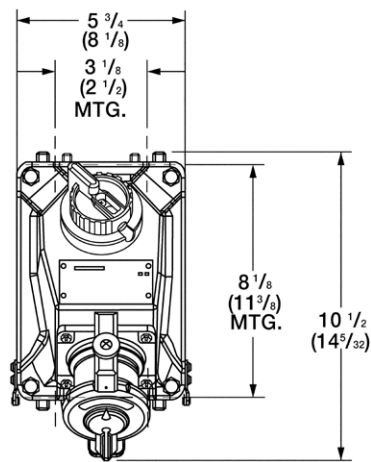
VSQ SWITCHED RECEPTACLES



VSQ & VWSQ RECEPTACLES

AMPS	CIRCUIT	CATALOG NUMBER		
		VSQ HAZARDOUS	VWSQ WEATHER RATED ONLY	MATING PLUG
30	2P3W	VSQ3023	VWSQ3023	VP3023
	3P4W	VSQ3034	VWSQ3034	VP3034
60	2P3W	VSQ6023	VWSQ6023	VP6023
	3P4W	VSQ6034	VWSQ6034	VP6034

DIMENSIONS

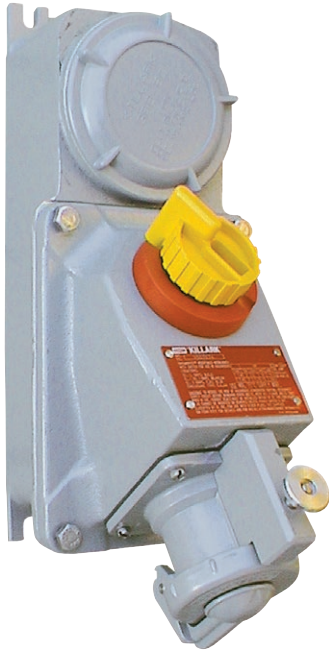


Dimensions shown are in inches for 30 AMP. 60 Amp dimensions in ().



CONNECTIVITY
VERSAMATE® SERIES

VSQ-FS FACTORY SEALED



Plug

Class I, Div. 1 & 2, Groups B, C, D
Class I, Zones I & 2, Groups IIB+H2, IIA
Class II, Div. 1 & 2, Groups F & G
Class III
Type 3, 4, 4X



Certified File No. LR14667

FEATURES-SPECIFICATIONS

Features – same as VSQ plus:

- Factory Sealed Construction eliminates need for conduit sealing at the device
- Saves Installation Time & Labor – facilitates rework
- Switch has factory wired line and load terminals. Load terminals feed sealed receptacle as in a standard VSQ. Line wiring is passed from the sealed compartment into the wiring chamber
- Receptacles may be loosened from back box and turned 180 degrees to adjust for top or bottom feed.
- Ordinary twist type wire connectors are used for final connections on 30A. 60A devices have terminal blocks
- VSQ-FS 30 Amp models come standard with one 1” drilled and tapped conduit openings into the wiring chamber plus one 1” x 3/4” reducer.
- VSQ-FS 60 Amp models come standard with one 1-1/2” drilled and tapped conduit openings into the wiring chamber plus one 1-1/2” x 1-1/4” reducer.
- VSQ-FS models not available with auxiliary contacts.
- Horsepower rated (Internal Switch Only) as “Motor Disconnect”

Materials

- Copper-free aluminum construction with electrostatically applied polyester/epoxy finish.
- Handle mechanism is chemical resistant Valox® (TM General Electric).
- External Hardware = Stainless

Electrical Ratings

- Amperage = 30A or 60A
- Voltage = Up to 600VAC
- Frequency = 50/60 Hz

Wire Range

- 30 Amp Regular Stranding Max #10
- 60 Amp Regular Stranding Max #4

HORSEPOWER RATINGS (VAC)		120	240	480	600
30A	1Ø	2	5	10	15
	3Ø	3	7.5	15	20
60A	1Ø	–	10	15	20
	3Ø	–	10	25	30



VSQ-FS FACTORY SEALED

VSQ - FS RECEPTACLES

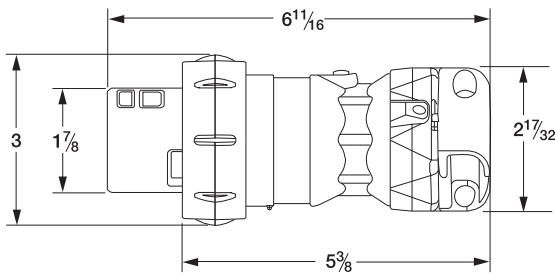
AMPS	CIRCUIT	CATALOG NUMBER	
		VSQ-FS HAZARDOUS	MATING PLUG
30	2P3W	VSQ3023FS	VP3023
30	3P4W	VSQ3034FS	VP3034
60	2P3W	VSQ6023FS	VP6023
60	3P4W	VSQ6034FS	VP6034

MODIFICATIONS*

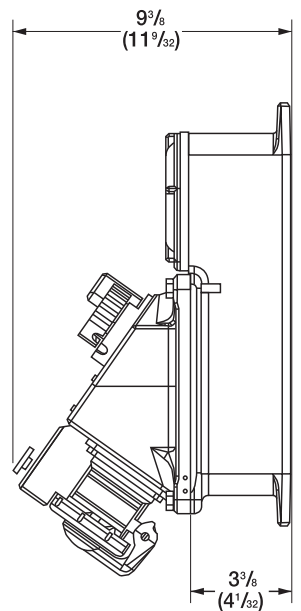
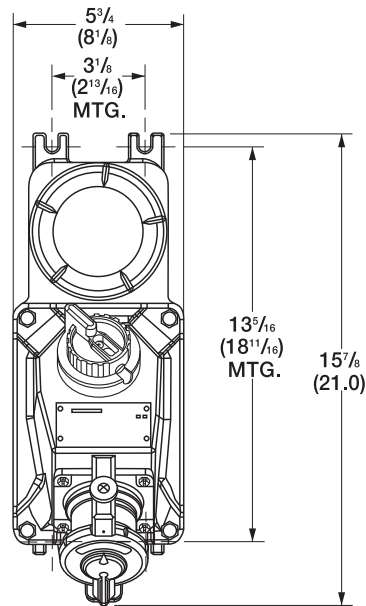
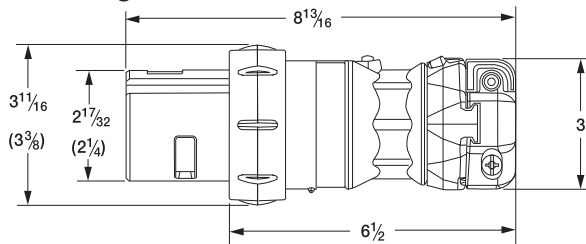
CATALOG NUMBER	DESCRIPTION
S37	Polarization for receptacles & plugs

DIMENSIONS

30A Plug



60A Plug

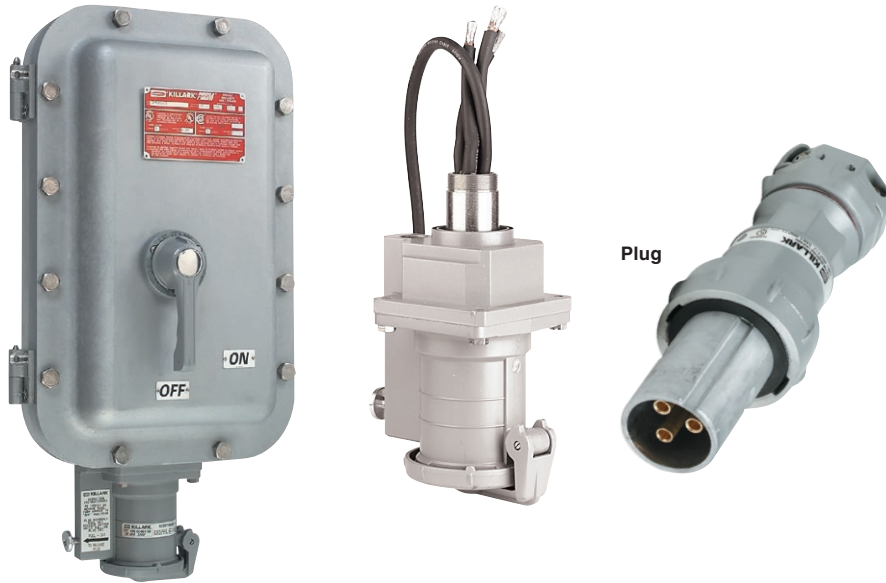


Dimensions shown are in inches for 30 AMP. 60 AMP Dimensions in ().



CONNECTIVITY VERSAMATE® SERIES

VBQ CIRCUIT BREAKER PROTECTED RECEPTACLES



Class I, Div. 1 & 2, Groups B, C, D
Class I, Zones 1 & 2, Groups IIB+H2, IIA
Class II, Div. 1 & 2, Groups F & G
Class III
Type 3, 4, 4X

 File No. E184637

FEATURES-SPECIFICATIONS

Features

- Type 4X with receptacle lid turned shut or with plug locking ring tightened
- Plug held in place when switch is “Off” for convenience. Pull button operated release mechanism. Plug does not have to be twisted to operate switch
- Dead-front construction when receptacle is off. Switch cannot be turned “ON” without fully inserted plug. Plug cannot be removed with switch in “ON” position
- Receptacle assembly is field replaceable for maintenance.
- Ductile Mounting Lugs to adjust to uneven surfaces
- Quick Release Cover Bolts with Triple Leads – only 3-1/2 turns to disengage
- Visible “ON” external Breaker Handle has provisions for locking “ON” or “OFF” with up to three Padlocks
- Internal Lock-Off provision for maintenance when no hazardous materials are present
- UL 1686-C1 Intermateable with similar competitive products, including classified / certified for use with Crouse-Hinds® Arktite® and Appleton® Powertite® devices.

*Arktite® is a registered trademark of Crouse-Hinds®.
Powertite® is a registered trademark of Appleton Electric Company®.*

Materials

- Copper-free construction with 316 grade Stainless Steel External Hardware
- Electrostatically applied polyester/epoxy finish

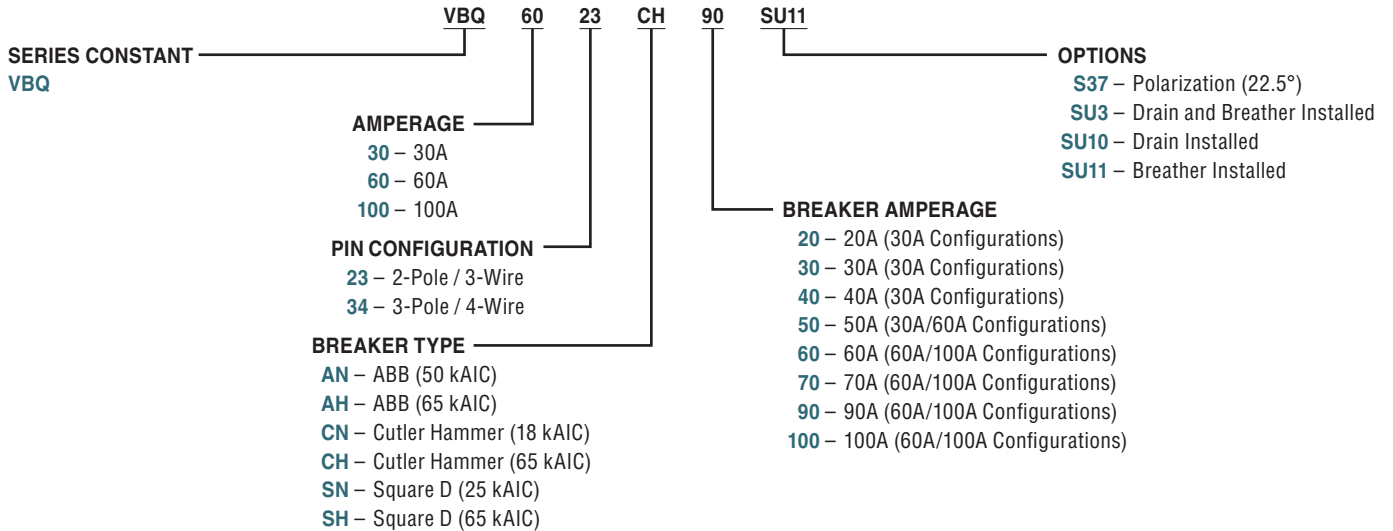
Electrical Ratings

- Amperage = 30A, 60A, 100A
- Voltage = Up to 600VAC, 250VDC
- Frequency = 50/60 Hz
- GFCI = 5mA Trip Setting

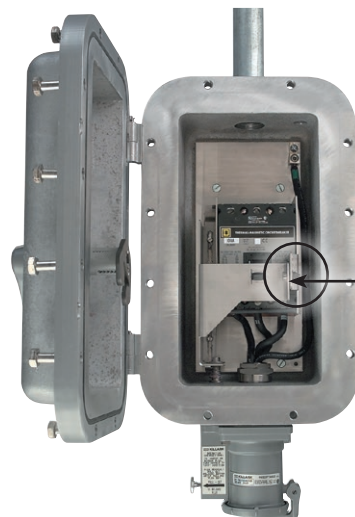
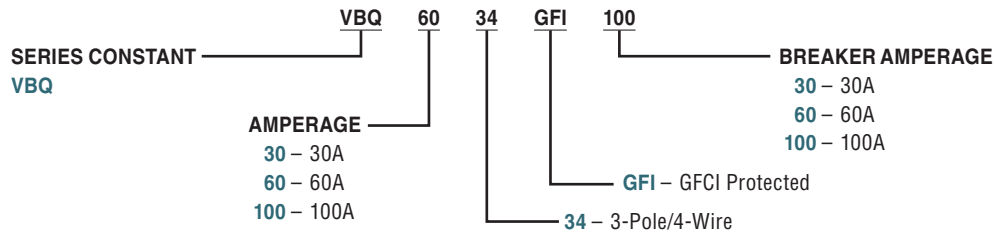


VBQ CIRCUIT BREAKER PROTECTED RECEPTACLES - CATALOG LOGIC

VBQ RECEPTACLES



VBQ GFCI PROTECTED RECEPTACLE



*Internal Lock-Off provision
for maintenance when no
hazardous materials are present*



VBQ CIRCUIT BREAKER PROTECTED RECEPTACLES

VBQ RECEPTACLES							
RECEPTACLE	CIRCUIT	BREAKER	CATALOG NUMBER				PLUG
			SQUARE D		CUTLER-HAMMER		
			BDL SERIES	BGL SERIES	EHD SERIES	FD SERIES	
30	2P3W	20	VBQ3023SN20	VBQ3023SH20	VBQ3023CN20	VBQ3023CH20	VP3023
		30	VBQ3023SN30	VBQ3023SH30	VBQ3023CN30	VBQ3023CH30	
		40	VBQ3023SN40	VBQ3023SH40	VBQ3023CN40	VBQ3023CH40	
		50	VBQ3023SN50	VBQ3023SH50	VBQ3023CN50	VBQ3023CH50	
	3P4W	20	VBQ3034SN20	VBQ3034SH20	VBQ3034CN20	VBQ3034CH20	VP3034
		30	VBQ3034SN30	VBQ3034SH30	VBQ3034CN30	VBQ3034CH30	
		40	VBQ3034SN40	VBQ3034SH40	VBQ3034CN40	VBQ3034CH40	
		50	VBQ3034SN50	VBQ3034SH50	VBQ3034CN50	VBQ3034CH50	
60	2P3W	50	VBQ6023SN50	VBQ6023SH50	VBQ6023CN50	VBQ6023CH50	VP6023
		60	VBQ6023SN60	VBQ6023SH60	VBQ6023CN60	VBQ6023CH60	
		70	VBQ6023SN70	VBQ6023SH70	VBQ6023CN70	VBQ6023CH70	
		90	VBQ6023SN90	VBQ6023SH90	VBQ6023CN90	VBQ6023CH90	
		100	VBQ6023SN100	VBQ6023SH100	VBQ6023CN100	VBQ6023CH100	
	3P4W	50	VBQ6034SN50	VBQ6034SH50	VBQ6034CN50	VBQ6034CH50	VP6034
		60	VBQ6034SN60	VBQ6034SH60	VBQ6034CN60	VBQ6034CH60	
		70	VBQ6034SN70	VBQ6034SH70	VBQ6034CN70	VBQ6034CH70	
		90	VBQ6034SN90	VBQ6034SH90	VBQ6034CN90	VBQ6034CH90	
		100	VBQ6034SN100	VBQ6034SH100	VBQ6034CN100	VBQ6034CH100	
100	2P3W	50	VBQ1023SN50	VBQ1023SH50	VBQ1023CN50	VBQ1023CH50	VP1023
		70	VBQ1023SN70	VBQ1023SH70	VBQ1023CN70	VBQ1023CH70	
		90	VBQ1023SN90	VBQ1023SH90	VBQ1023CN90	VBQ1023CH90	
		100	VBQ1023SN100	VBQ1023SH100	VBQ1023CN100	VBQ1023CH100	
	3P4W	50	VBQ1034SN50	VBQ1034SH50	VBQ1034CN50	VBQ1034CH50	VP1034
		70	VBQ1034SN70	VBQ1034SH70	VBQ1034CN70	VBQ1034CH70	
		90	VBQ1034SN90	VBQ1034SH90	VBQ1034CN90	VBQ1034CH90	
		100	VBQ1034SN100	VBQ1034SH100	VBQ1034CN100	VBQ1034CH100	

VBQ GFCI RECEPTACLES		
RECEPTACLE	CIRCUIT	CATALOG NUMBER
30A	3P4W	VBQ3034GFI30
60A	3P4W	VBQ6034GFI60
100A	3P4W	VBQ1034GFI100

CIRCUIT BREAKER INTERRUPTING RATINGS (kAIC)	208/240 VAC	480 VAC	600 VAC	250 VDC†
ABB XT1N	50	25	—	—
ABB XT2N	65	25	18	—
Cutler-Hammer EHD	18	14	—	10
Cutler-Hammer FD	65	25	18	10
Square D BDL	25	18	14	20
Square D BGL	65	35	18	20

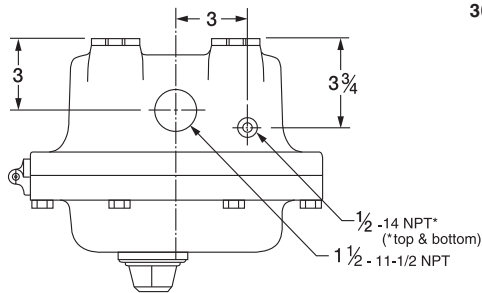
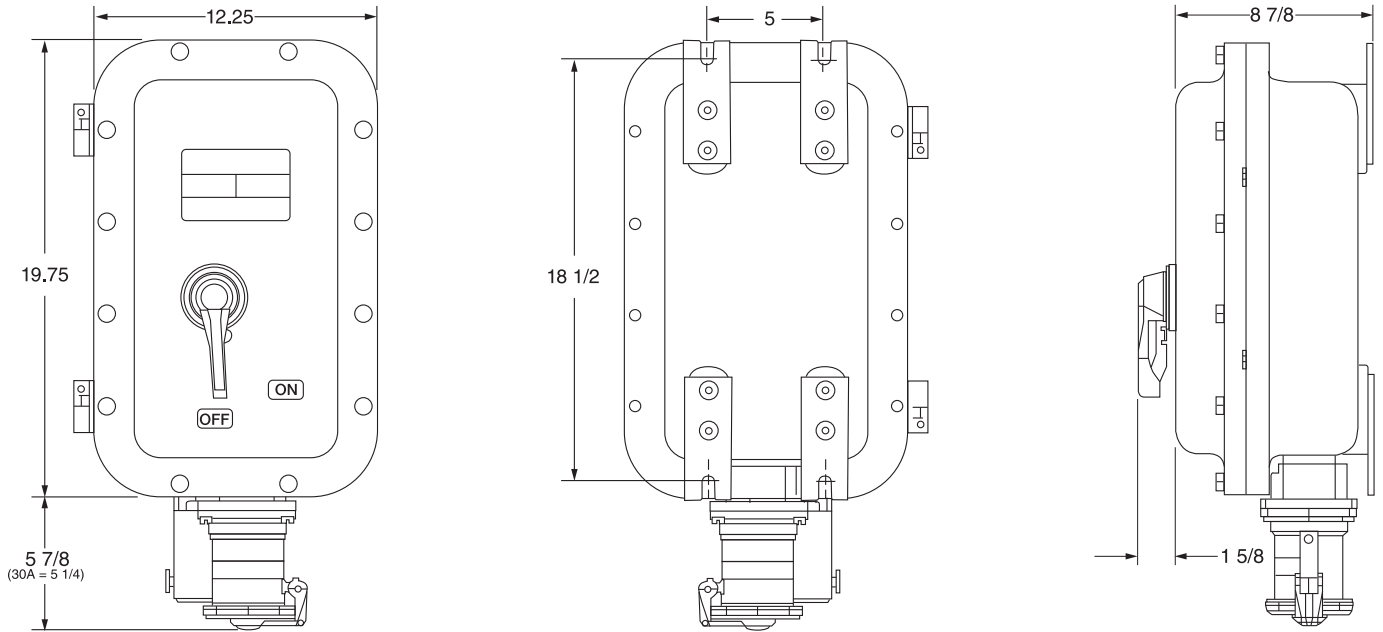
CIRCUIT BREAKER	WIRE RANGE
ABB	Up to 30A = #14-4 AWG (Cu); 35-100 Amp = #14-1/0 AWG (Cu)
Cutler-Hammer	Up to 20A = #14-10 AWG (Cu); 30-100 Amp = #14-1/0 AWG (Cu)
Square D	Up to 30A = #14-4 AWG (Cu); 35-100 Amp = #14-1/0 AWG (Cu)

REPLACEMENT PARTS	
CATALOG NUMBER	DESCRIPTION
VBQ-HANDLEASSEMBLY	External circuit breaker handle kit
VBQRA3023	30A 2-Pole / 3-Wire Replacement Receptacle Assembly
VBQRA3034	30A 3-Pole / 4-Wire Replacement Receptacle Assembly
VBQRA6023	60A 2-Pole / 3-Wire Replacement Receptacle Assembly
VBQRA6034	60A 3-Pole / 4-Wire Replacement Receptacle Assembly
VBQRA1023	100A 2-Pole / 3-Wire Replacement Receptacle Assembly
VBQRA1034	100A 3-Pole / 4-Wire Replacement Receptacle Assembly

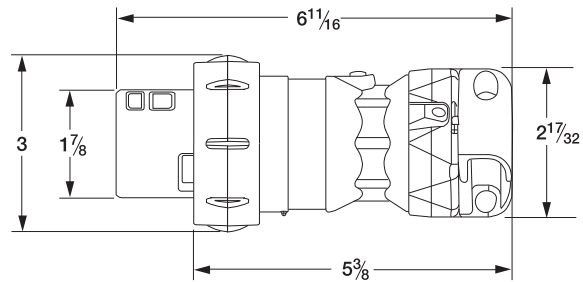


VBQ CIRCUIT BREAKER PROTECTED RECEPTACLES

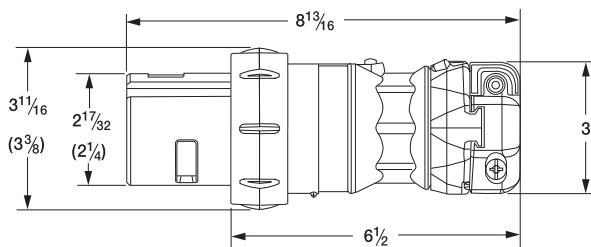
DIMENSIONS



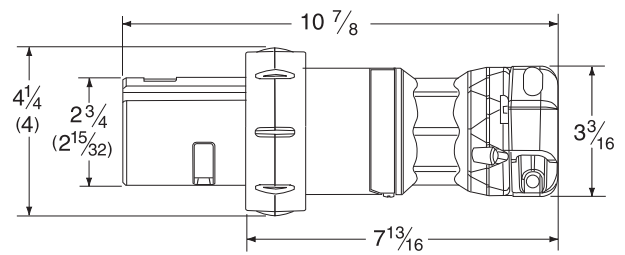
30A Plug



60A Plug



100A Plug





CONNECTIVITY VERSAMATE® SERIES

VSI NON-METALLIC PLUGS AND SWITCHED RECEPTACLES

VersaMATE®



Class I, Div. 2, Groups A, B, C, D
Class I, Zones 1 & 2, Groups IIC, IIB, IIA
AEx de IIC T6
Class II, Div. 1 & 2, Groups E, F, G
Class III
Type 3, 4, 4X, IP66



File 3014299



Certified - File LR240743

FEATURES-SPECIFICATIONS

Features

- Color coding and pin configuration makes it physically impossible to mate plugs and receptacles of different voltages and current ratings
- Interlocked switch mechanism prevents accidental removal of plug from receptacle under load
- Horsepower rated disconnect switch
- Dust caps* included with 20A and 30A plugs as standard
- No seal required within Class I, Division 2 applications.
- Provision for up to two optional auxiliary contact blocks, useful for signaling circuits or starter coils.
- Horsepower rated disconnect switch includes 1 auxiliary contact (late make, early break) for signaling circuits.

Materials

- Housing = Non-Metallic Polyamide
- Hardware = Stainless Steel

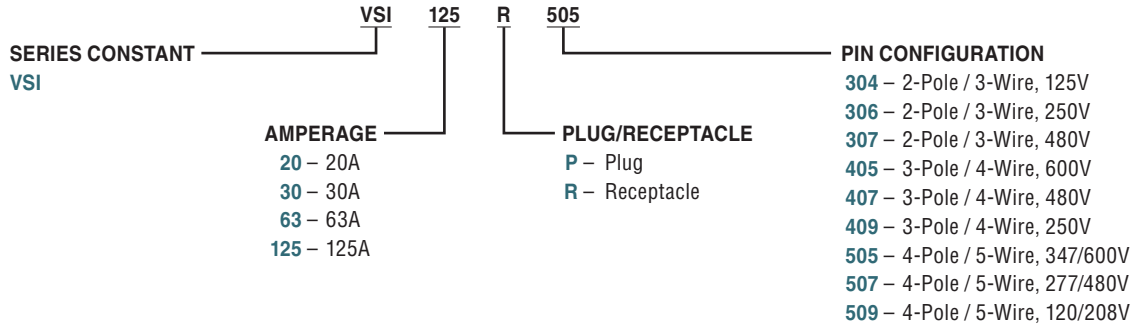
Electrical Ratings

- Amperage = 20 / 30 / 63 / 125A
- Voltage = Up to 600VAC
- Frequency = 50/60 Hz



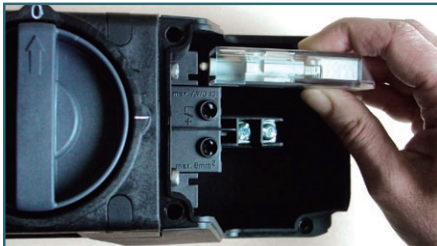
VSI NON-METALLIC PLUGS AND SWITCHED RECEPTACLES

VBQ RECEPTACLES



VSI SERIES PLUGS & SWITCHED RECEPTACLES

DESCRIPTION	AC VOLTAGE AND COLOR CODE	CATALOG NUMBER			
		20 AMP		30 AMP	
		RECEPTACLE	PLUG	RECEPTACLE	PLUG
2 Pole 3 Wire	125 Yellow	VSI20R304	VSI20P304	—	—
	250 Blue	VSI20R306	VSI20P306	—	—
	480 Red	VSI20R307	VSI20P307	—	—
3 Pole 4 Wire	3 Ø 250 Blue	VSI20R409	VSI20P409	VSI30R409	VSI30P409
	3 Ø 480 Red	VSI20R407	VSI20P407	VSI30R407	VSI30P407
	3 Ø 600 Black	VSI20R405	VSI20P405	VSI30R405	VSI30P405
4 Pole 5 Wire	3 ØY 120/208 Blue	VSI20R509	VSI20P509	VSI30R509	VSI30P509
	3 ØY 277/480 Red	VSI20R507	VSI20P507	VSI30R507	VSI30P507
	3 ØY 347/600 Black	VSI20R505	VSI20P505	VSI30R505	VSI30P505



Snap into side(s) of terminal block

PARTS AND ACCESSORIES	PART NUMBER
Auxiliary Contact Block NC, A600 ①	VSIAXNC
Auxiliary Contact Block NO, A600 ①	VSIAXNO

① 10A rating for one auxiliary block; 5A if two are used. Position noted (NC or NO) is when main switch is off.

TECHNICAL DATA				
RECEPTACLE		20 AMP		30 AMP
ENCLOSURE MATERIAL		POLYAMIDE		
AMBIENT TEMPERATURE, TA		-30°C (-22°F) to +55°C (131°F)		
TERMINAL CAPACITY		2 wires, rated 75°C (Ta<45°C) or 90°C (Ta>45°C)		
		16-10 AWG		14-8 AWG
SWITCH RATING	(Horsepower)	1-phase	3-phase	3-phase
	120 VAC	1.5 HP	—	—
	240 VAC	3 HP	5 HP	10 HP
	480 VAC	5 HP	10 HP	20 HP
	600 VAC	—	15 HP	25 HP
LINE SUPPLY FUSE		CLASS J - size per NEC/CEC requirement, upstream ahead of unit		
BOTTOM ENTRY		3/4" NPT		1" NPT

TECHNICAL DATA				
PLUG		20 AMP		30 AMP
ENCLOSURE MATERIAL		POLYAMIDE		
TERMINAL CAPACITY		1 wire, rated 75°C (Ta<45°C) or 90°C (Ta>45°C)		
		16-10 AWG		14-8 AWG
CORD OUTER DIA.		0.3" - 0.8"		0.6" - 1.1"



CONNECTIVITY
VERSAMATE® SERIES

VSI NON-METALLIC PLUGS AND SWITCHED RECEPTACLES

VSI SERIES PLUGS & SWITCHED RECEPTACLES					
DESCRIPTION		CATALOG NUMBER			
	AC VOLTAGE AND COLOR CODE	63 AMP		125 AMP	
		RECEPTACLE	PLUG	RECEPTACLE	PLUG
3 Pole 4 Wire	3 Ø 250 Blue	VSI63R409	VSI63P409	VSI125R409	VSI125P409
	3 Ø 480 Red	VSI63R407	VSI63P407	VSI125R407	VSI125P407
	3 Ø 600 Black	VSI63R405	VSI63P405	VSI125R405	VSI125P405
4 Pole 5 Wire	3 ØY 120/208 Blue	VSI63R509	VSI63P509	VSI125R509	VSI125P509
	3 ØY 277/480 Red	VSI63R507	VSI63P507	VSI125R507	VSI125P507
	3 ØY 347/600 Black	VSI63R505	VSI63P505	VSI125R505	VSI125P505

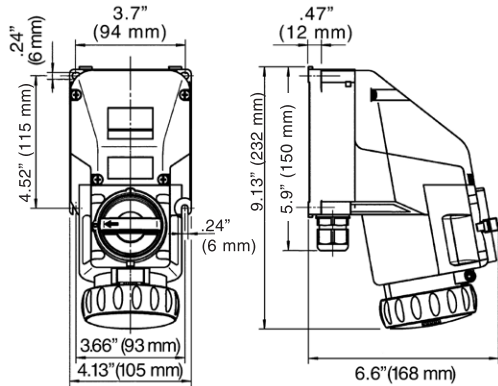
TECHNICAL DATA			
RECEPTACLE	63 AMP	125 AMP	
ENCLOSURE MATERIAL	FIBER REINFORCED POLYESTER		
AMBIENT TEMPERATURE, TA	-20°C (-4°F) to +40°C (104°F)		
TERMINAL CAPACITY	2 wires, 90°C rated		
	6-1/0 AWG	1/0-3/0 AWG	
SWITCH RATING	(Horsepower)	3-phase	3-phase
	120 VAC	10 HP	20 HP
	240 VAC	20 HP	40 HP
	480 VAC	40 HP	100 HP
	600 VAC	60 HP	125 HP
LINE SUPPLY FUSE	CLASS J - size per NEC/CEC requirement, upstream ahead of unit		
BOTTOM ENTRY	1-1/2" NPT	2" NPT	

PLUG DUST CAP	
FOR PLUG TYPE	CATALOG NUMBER
VSI63P4__	VSI63801140
VSI63P5__	VSI63801140

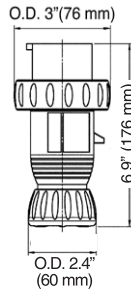
TECHNICAL DATA		
PLUG	63 AMP	125 AMP
ENCLOSURE MATERIAL	POLYAMIDE	
TERMINAL CAPACITY	1 wire, 90°C rated	
	10-4 AWG	6-1/0 AWG
CORD OUTER DIA.	0.94" - 1.4"	1.2" - 2"



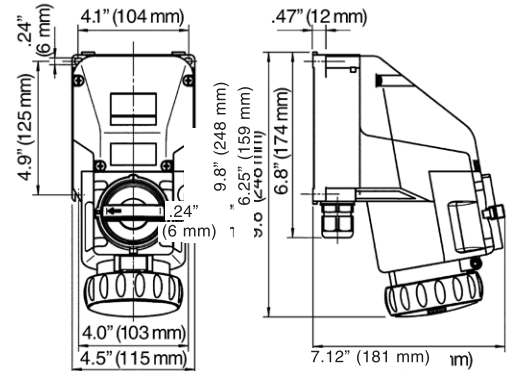
VSI NON-METALLIC PLUGS AND SWITCHED RECEPTACLES



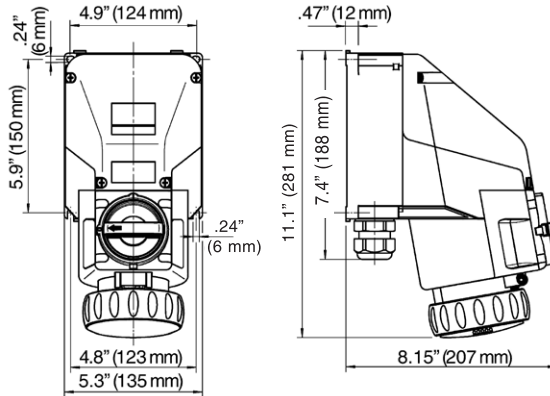
RECEPTACLE 20A
2 POLE - 3 WIRE



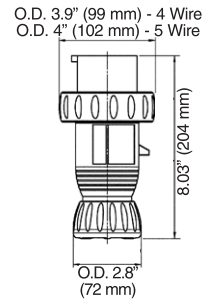
PLUG 20A



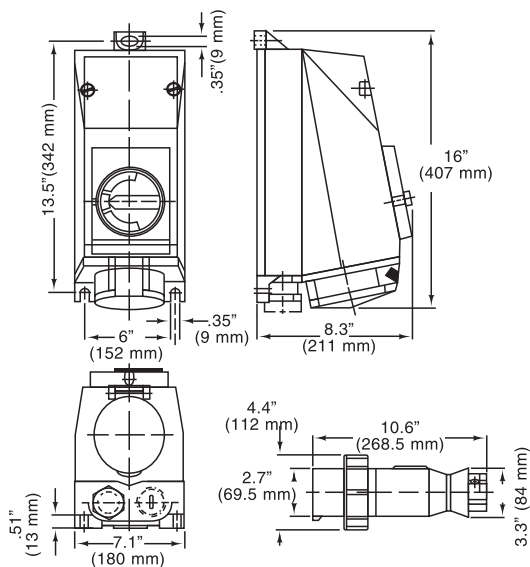
RECEPTACLE 20A
3 POLE - 4 WIRE AND 4 - POLE 5 WIRE



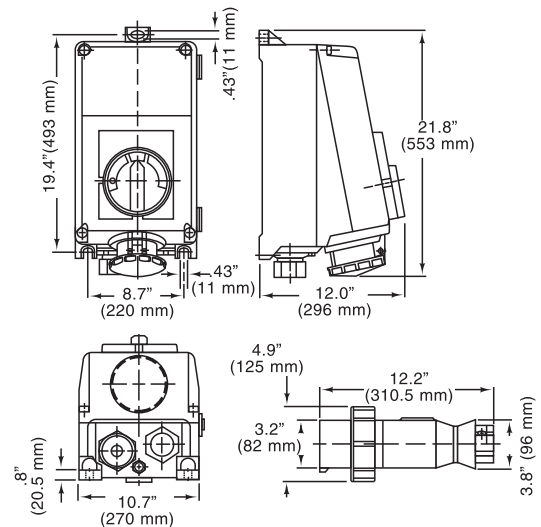
RECEPTACLE 30A
3 POLE - 4 WIRE AND 4 POLE - 5 WIRE



PLUG 30A



RECEPTACLE & PLUG 63A
3 POLE - 4 WIRE AND 4 POLE - 5 WIRE



RECEPTACLE & PLUG 125A
3 POLE - 4 WIRE AND 4 POLE - 5 WIRE



CONNECTIVITY VSIIH SERIES

VSIIH NON-METALLIC PLUGS AND SWITCHED RECEPTACLES

VersaMATE



IEC-STYLE NON-METALLIC PLUGS AND SOCKETS

Ex **ATEX Certificate: INERIS 20 ATEX 0022X**

CE **Socket: II 2G Ex db eb IIC T3/T4/T5/T6 Gb**
2813

Plug: II 2G Ex eb IIC T3/T4/T5/T6 Gb
II 2D Ex tb IIIC T800C Db IP 66 Ta=
-50°C to +60°C

IECEx Certificate: IECEx INE 20.0020X

Socket: Ex db eb IIC T3/T4/T5/T6 Gb

Plug: Ex eb IIC T3/T4/T5/T6 Gb

Ex tb IIIC T800C Db IP 66

Ta= -50°C to +60°C

FEATURES-SPECIFICATIONS

Features

- Color coding and pin configuration makes it physically impossible to mate plugs and receptacles of different voltages and current ratings.
- Interlocked switch mechanism prevents accidental removal of plug from receptacle under load.
- Explosion Protected Internal Disconnect Switch
- Operating Temperature of -50°C to +60°C
- Earthing Stud and Earthing Plate available for earthing/grounding purposes.
- Provision for up to two optional auxiliary contact blocks, useful for signaling circuits or starter coils.

Materials

- Enclosure = Impact Resistant (7 Joules), Non-Metallic, Anti-Static, Glass-Fibre Reinforced Polyester (GRP)
- Gasket = Silicone
- Pins = Nickel Plated Brass
- Earth Stud = Brass
- Earthing Plate = Brass

Electrical Ratings

Plugs/Sockets

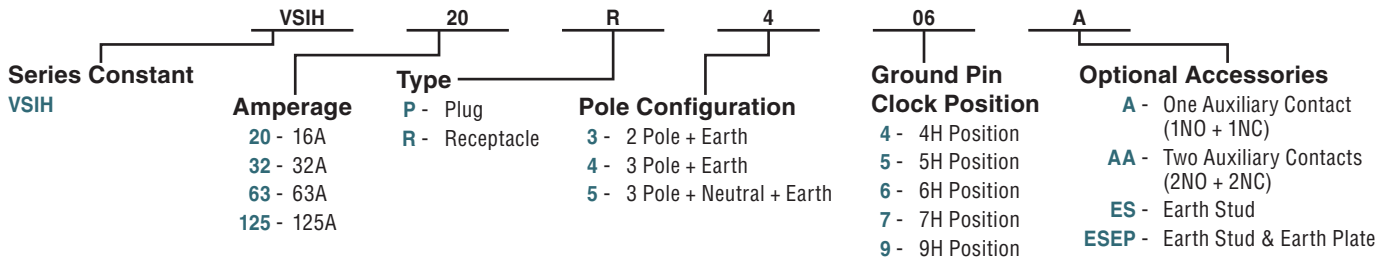
- Amperage Configurations = 16A / 32A / 63A / 125A
- Voltage Configurations = 110VAC -690VAC

Auxiliary Contacts

- Amperage Configurations = 4A Max
- Voltage Configurations = 415VAC Max



CATALOG LOGIC



VSIH SERIES PLUGS & SWITCHED RECEPTACLES

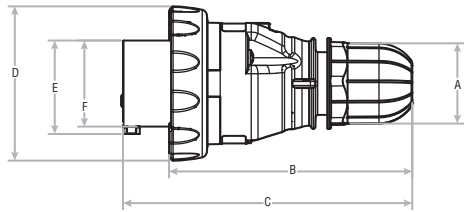
POLE CONFIG.	VOLTAGE	FREQUENCY (HZ)	GROUND POSITION (HR)	COLOR		CATALOG NUMBER							
				16/32/63A	125A	16A		32A		63A		125A	
						PLUG	RECEPT.	PLUG	RECEPT.	PLUG	RECEPT.	PLUG	RECEPT.
2P+E	100-130 VAC	50/60	4	Yellow	—	VSIH20P304	VSIH20R304	VSIH32P304	VSIH32R304	—	—	—	—
	200-250 VAC	50/60	6	Blue	—	VSIH20P306	VSIH20R306	VSIH32P306	VSIH32R306	—	—	—	—
	480-500 VAC	50/60	7	Red	—	VSIH20P307	VSIH20R307	—	—	—	—	—	—
3P+E	200-250 VAC	50/60	9	Blue	Black	VSIH20P409	VSIH20R409	VSIH32P409	VSIH32R409	VSIH63P409	VSIH63R409	VSIH125P409	VSIH125R409
	380-415 VAC	50/60	6	Red	Black	VSIH20P406	VSIH20R406	VSIH32P406	VSIH32R406	VSIH63P406	VSIH63R406	VSIH125P406	VSIH125R406
	480-500 VAC	50/60	7	Red	Black	VSIH20P407	VSIH20R407	VSIH32P407	VSIH32R407	VSIH63P407	VSIH63R407	VSIH125P407	VSIH125R407
	600-690 VAC	50/60	5	Red	Black	VSIH20P405	VSIH20R405	VSIH32P405	VSIH32R405	VSIH63P405	VSIH63R405	VSIH125P405	VSIH125R405
3P+N+E	208-250 VAC	50/60	9	Blue	Black	VSIH20P509	VSIH20R509	VSIH32P509	VSIH32R509	VSIH63P509	VSIH63R509	VSIH125P509	VSIH125R509
	346-415 VAC	50/60	6	Red	Black	VSIH20P506	VSIH20R506	VSIH32P506	VSIH32R506	VSIH63P506	VSIH63R506	VSIH125P506	VSIH125R506
	480-500 VAC	50/60	7	Red	Black	VSIH20P507	VSIH20R507	VSIH32P507	VSIH32R507	VSIH63P507	VSIH63R507	VSIH125P507	VSIH125R507
	600-690 VAC	50/60	5	Red	Black	VSIH20P505	VSIH20R505	VSIH32P505	VSIH32R505	VSIH63P505	VSIH63R505	VSIH125P505	VSIH125R505

VSIH SERIES PLUGS & SWITCHED RECEPTACLES (TECHNICAL DATA)

RECEPTACLE	16A	32A	63A	125A
WIRING TERMINAL CAPACITY (CONDUCTOR CROSS SECTIONAL AREA)	4 mm ² - 10 mm ²	6 mm ² - 10 mm ²	16 mm ² - 25 mm ²	50 mm ² - 70 mm ²
WIRING TERMINAL CAPACITY (TIGHTENING TORQUE)	0.8 N·m	0.8 N·m	2.5 N·m	3.5 N·m
GROUND TERMINAL CAPACITY (CONDUCTOR CROSS SECTIONAL AREA)	10 mm ² (Finely Stranded) 16 mm ² (Solid)	10 mm ² (Finely Stranded) 16 mm ² (Solid)	2.5 mm ² - 35 mm ²	50 mm ² - 70 mm ²
GROUND TERMINAL CAPACITY (TIGHTENING TORQUE)	1.2 N·m	1.2 N·m	3.5 N·m	3.5 N·m
ENTRY SIZE (LOCATION)	1 x M25 (Bottom)	1 x M32 (Bottom)	1 x M40 (Bottom)	1 x M50 (Bottom)
AMBIENT TEMPERATURE	-50°C to +50°C (T6) -50°C to +60°C (T5)	-50°C to +60°C (T4) -50°C to +40°C (T5)	-35°C to +60°C (T3) -35°C to +40°C (T4)	-35°C to +40°C (T4)
AMBIENT TEMPERATURE (W/ OPTIONAL AUXILIARY CONTACTS)	-50°C to +50°C (T6) -50°C to +60°C (T5)	-50°C to +40°C (T5)	-35°C to +40°C (T4)	—
PLUG	16A	32A	63A	125A
WIRING TERMINAL CAPACITY (CONDUCTOR CROSS SECTIONAL AREA)	4 mm ²	6 mm ²	16 mm ²	50 mm ²
WIRING TERMINAL CAPACITY (TIGHTENING TORQUE)	1 N·m	1.5 N·m	2 N·m	4 N·m
CORD DIAMETER	10.9-14 mm (2P+E) 12.1-15.5 mm (3P+E) 13.3-17 mm (3P+N+E)	15.7-20 mm (2P+E) 15.7-20 mm (3P+E) 17.5-22.5 mm (3P+N+E)	19.1 - 31.5 mm	33-40 mm

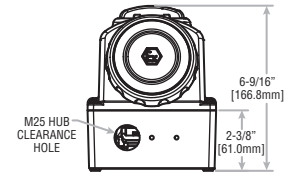
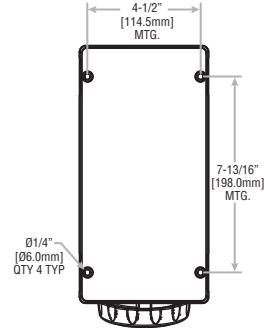
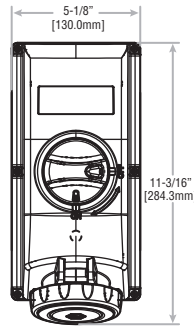


CONNECTIVITY
VSIH SERIES

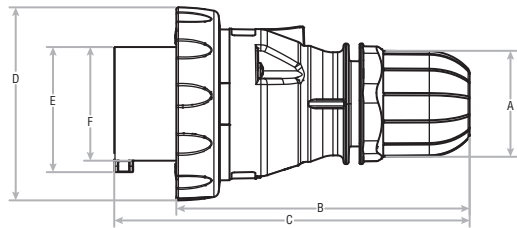


POLE	A	B	C	D	E	F
3P	1-5/8" [40.6mm]	4-13/16" [122.9mm]	5-3/4" [146.2mm]	3-1/16" [78.0mm]	1-7/8" [47.2mm]	1-11/16" [43.5mm]
4P	1-5/8" [40.6mm]	5-1/8" [129.9mm]	6-1/16" [153.2mm]	3-3/8" [85.1mm]	2-1/8" [53.7mm]	1-15/16" [49.5mm]
5P	2-1/8" [53.4mm]	5-3/4" [145.8mm]	6-11/16" [170.1mm]	3-5/8" [92.8mm]	2-3/8" [60.8mm]	2-3/16" [56.0mm]

VSIH 16AMP Plug

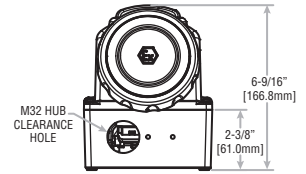
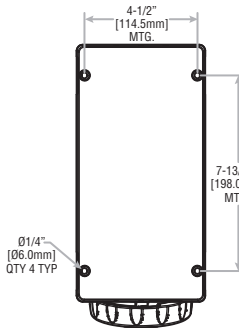
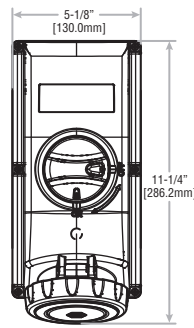


VSIH 16AMP Receptacle

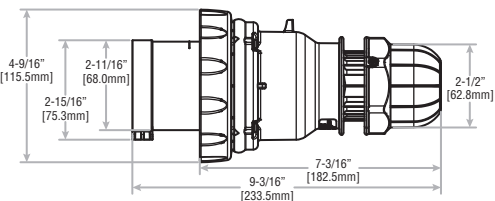


POLE	A	B	C	D	E	F
3/4P	2-1/8" [53.4mm]	5-13/16" [147.8mm]	7-1/16" [179.1mm]	3-13/16" [97.3mm]	2-1/2" [63.1mm]	2-1/4" [57.3mm]
5P	2-3/8" [59.8mm]	6-1/8" [154.8mm]	7-5/16" [186.1mm]	4-1/8" [104.4mm]	2-3/4" [69.7mm]	2-1/2" [63.3mm]

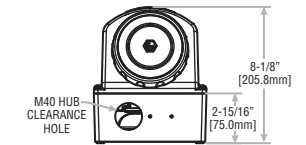
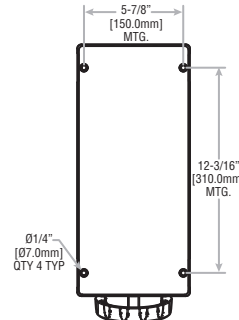
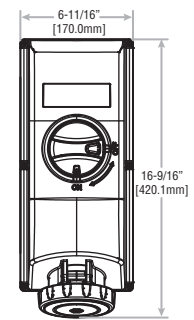
VSIH 32AMP Plug



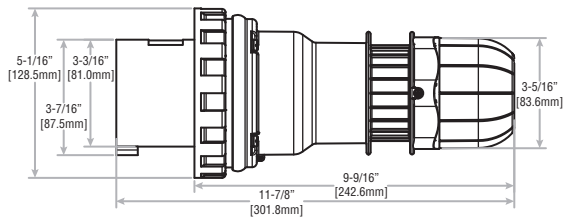
VSIH 32AMP Receptacle



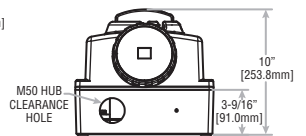
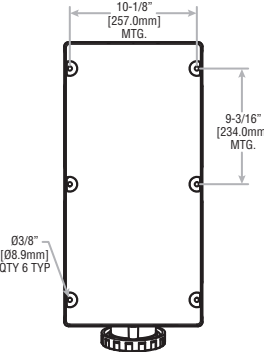
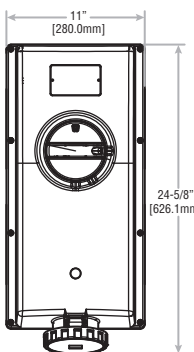
VSIH 63AMP Plug



VSIH 63AMP Receptacle



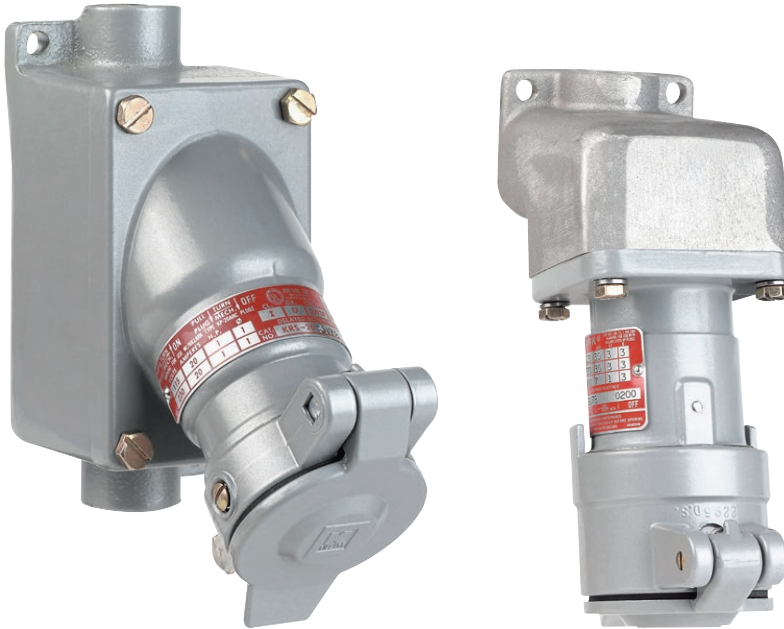
VSIH 125AMP Plug



VSIH 125AMP Receptacle



HAZARDOUS LOCATION – DELAYED ACTION



**Class I, Div. 1 & 2, Groups C, D
Class I, Zones 1 & 2, IIB, IIA**

E23572

Certified LR14667 (20A version)

FEATURES-SPECIFICATIONS

Features

- Factory sealed receptacles
- Straight or angle type receptacles
- Delayed action contacts (See Time Delay Inset on next page)
- Plugs with a wide range of grommet openings
- Extra long grounding pole makes contact first and breaks contact last
- Heavy duty construction to withstand rough and constant usage
- Plugs come with soldered terminals as standard.
- Receptacles come factory potted with flying wire leads as standard.
- KRS configurations are rated for Class I Group D only.

Materials

- Copper-free aluminum (less than 4/10 of 1%) alloy resists corrosion
- Electrostatically applied and baked powder epoxy / polyester finish
- Hardware = Stainless Steel

Electrical Ratings

- Amperage = 20 / 30 / 60 A

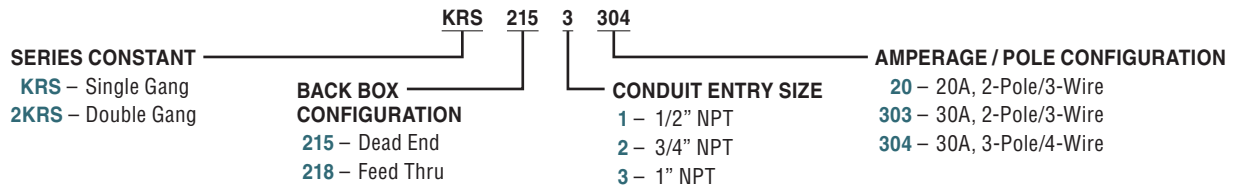
ELECTRICAL RATINGS					
TYPE	AMPERAGE	VOLTAGE VAC	CIRCUIT	H.P.	HERTZ
20 AMP	20	115/230	2W3P	1	60
30 AMP	7	460	2W3P	1/2	60
	7	460	3W4P	1	60
	30	115/230	2W3P	1-1/2	60
	30	115/230	3W4P	3	60
60 AMP	30	460	2W3P	3	60
	30	460	3W4P	5	60
	60	115/230	2W3P	5	60
	60	115/230	3W4P	5	60



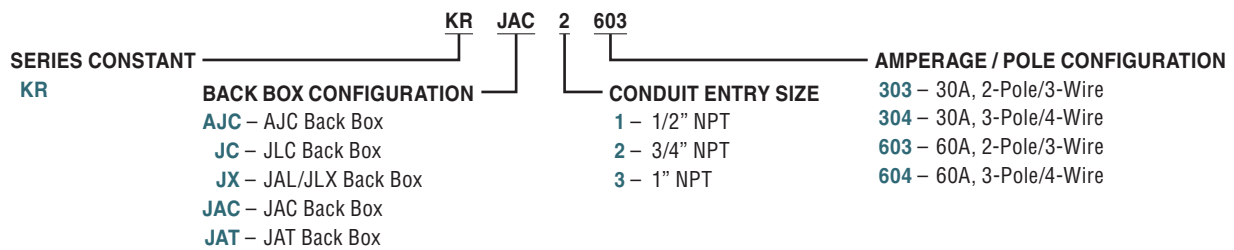
CONNECTIVITY
KR SERIES

HAZARDOUS LOCATION – DELAYED ACTION

KR RECEPTACLES (20/30A)



KR RECEPTACLES (30/60A)



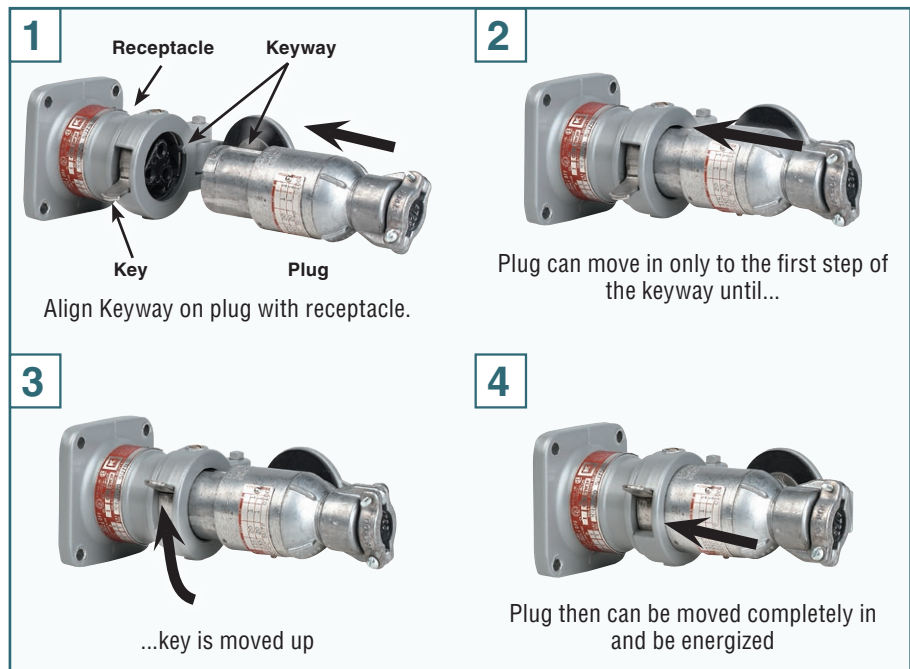
Details of Safety Time Delay Feature

The key slot provided in the receptacle engages the key of the plug permitting entrance of the plug in the receptacle in only one position. See steps 1-4.

The contacts are enclosed in long accurate insulating cavities. It is in these cavities that the arcs are extinguished. All contacts are made through round tellurium copper tubing which is extra heavy to withstand arcing as required on the various ampere ratings.

Both plugs and receptacles are equipped with an extra long grounding pole which establishes grounding before the power contacts are engaged. These grounding poles are also the last to break contact. This assures bonding of the portable device to the electrical conduit system.

Safety Time Delay Feature





20 AMP 115/230 V.A.C • 1Ø 2 WIRE, 3 POLE



KRS Series



KRA

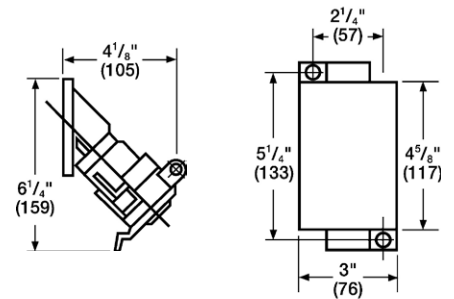


Plug

KRS 20A 1Ø 2W RECEPTACLE WITH SWB BOX ②

HUB SIZE	CATALOG NUMBER							
	SINGLE RECEPTACLE & DEAD END BOX	BOX ONLY	SINGLE RECEPTACLE & FEED-THRU BOX	BOX ONLY	DOUBLE RECEPTACLE & DEAD END BOX	BOX ONLY	DOUBLE RECEPTACLE & FEED-THRU BOX	BOX ONLY
1/2"	KRS-215-120	SWB-1	KRS-218-120	SWB-4	2KRS-215-120	SWB-7	2KRS-218-120	SWB-10
3/4"	KRS-215-220	SWB-2	KRS-218-220	SWB-5	2KRS-215-220	SWB-8	2KRS-218-220	SWB-11
1"	KRS-215-320	SWB-3	KRS-218-320	SWB-6	2KRS-215-320	SWB-9	2KRS-218-320	SWB-12

RECEPTACLE ONLY – CATALOG NUMBER KRS-20



KRS-Series

KRJ RECEPTACLE WITH AJ OR JL BOX

HUB SIZE	CATALOG NUMBER		
	AJC	JLC	JLX
1/2"	—	KRJC-120	KRJC-120
3/4"	KRAJC-220	KRJC-220	KRJC-220
1"	KRAJC-320	—	—

BACK BOX ONLY

1/2"	—	JLC-1	JLX-1
3/4"	AJC-2	JLC-2	JLX-2
1"	AJC-3	—	—

RECEPTACLE ONLY – CATALOG NUMBER KRJ-20

ELECTRICAL RATING

CIRCUIT	RATING (60 HERTZ)
1Ø 2W3P	20 AMPS, 115/230 V.A.C., 1 H.P.



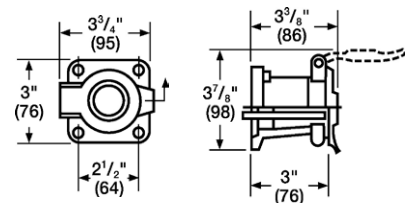
AJC



JLC



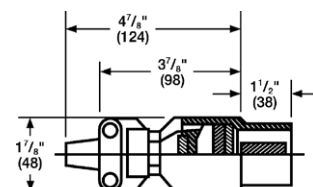
JLX



KRJ-Series

KP 20 AMP PLUG

CATALOG NO.	DESCRIPTION
KP-20ABC	Plug furnished with 3 grommets range .250 - .625





CONNECTIVITY
KR SERIES

30 AMP 115/230 V.A.C. • 7 AMP 460 V.A.C

KRS/KRJ Series Plug



KRS Series



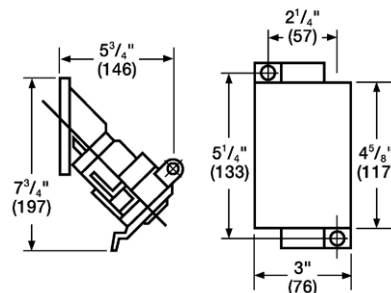
KRA Series



Plug

KRS RECEPTACLE WITH SWB BOX²

HUB SIZE	CATALOG NUMBER - SINGLE GANG ONLY							
	1Ø, 2-WIRE, 3-POLE DEAD END BOX	BOX ONLY	1Ø, 2-WIRE, 3-POLE FEED THRU BOX	BOX ONLY	3Ø, 3-WIRE, 4-POLE DEAD END BOX	BOX ONLY	3Ø, 3-WIRE, 4-POLE FEED THRU BOX	BOX ONLY
1/2"	KRS-215-1303	SWB-1	KRS-218-1303	SWB-4	KRS-215-1304	SWB-1	KRS-218-1304	SWB-4
3/4"	KRS-215-2303	SWB-2	KRS-218-2303	SWB-5	KRS-215-2304	SWB-2	KRS-218-2304	SWB-5
1"	KRS-215-3303	SWB-3	KRS-218-3303	SWB-6	KRS-215-3304	SWB-3	KRS-218-3304	SWB-6
RECEPTACLE ONLY	KRS-303				KRS-304			



KRS-Series

KRJ RECEPTACLE WITH AJ OR JL BOX

CIRCUIT	HUB SIZE	CATALOG NUMBER		
		AJC	JLC	JLX
1Ø 2-Wire 3-Pole	1/2"	—	KRJJC-1303	KRJX-1303
	3/4"	KRAJC-2303	KRJJC-2303	KRJX-2303
	1"	KRAJC-3303	—	—
RECEPTACLE ONLY – CATALOG NUMBER KRJ-303				
3Ø 3-Wire 4-Pole	1/2"	—	KRJJC-1304	KRJX-1304
	3/4"	KRAJC-2304	KRJJC-2304	KRJX-2304
	1"	KRAJC-3304	—	—
RECEPTACLE ONLY – CATALOG NUMBER KRJ-304				
Back Box Only	1/2"	—	JLC-1	JLX-1
	3/4"	AJC-2	JLC-2	JLX-2
	1"	AJC-3	—	—



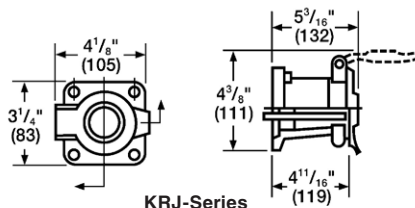
AJC



JLC



JLX



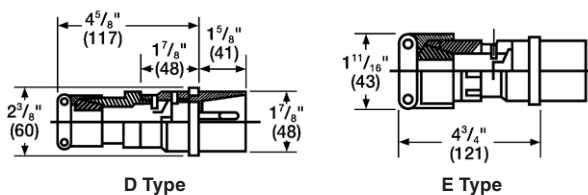
KRJ-Series

ELECTRICAL RATING

CIRCUIT	RATING (60 HERTZ)
1 Ø	7 Amps, 460 V.A.C., 1½ H.P.
2-Wire	— OR —
3-Pole	30 Amps, 115/230 V.A.C., 1-1½ H.P.
3 Ø	7 Amps, 460 V.A.C., 1 H.P.
3-Wire	— OR —
4-Pole	30 Amps, 115/230 V.A.C., 3 H.P.

KP 30 AMP PLUG

CATALOG NUMBER		PLUG TYPE	GROMMET RANGE
1Ø, 2-WIRE, 3-POLE	3Ø, 3-WIRE, 4-POLE		
KP-303D23	KP-304D23	D	.375-.625
KP-303D45	KP-304D45	D	.625-.875
KP-303E45	KP-304E45	E	.875-1.125
KP-303E67	KP-304E67	E	1.125-1.375

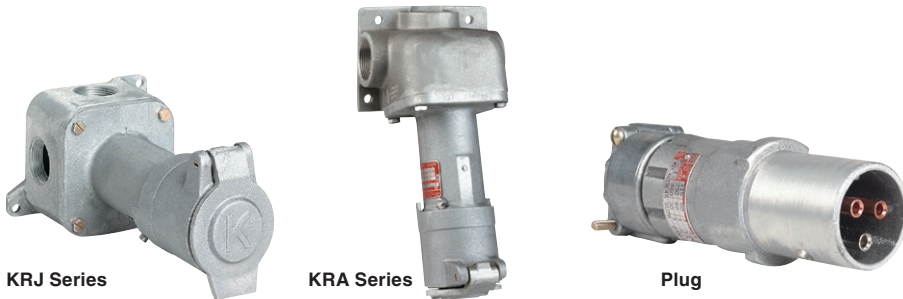


D Type

E Type



60 AMP 115/230 V.A.C. • 30 AMP/460 V.A.C.



KRJ Series

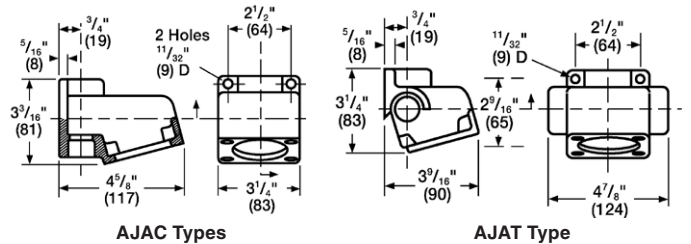
KRA Series

Plug

KR RECEPTACLE ASSEMBLIES

HUB SIZE	BOX STYLE	HUB STYLE	CATALOG NUMBER		
			1Ø, 2-WIRE 3-POLE	3Ø, 3-WIRE 4-POLE	SPLICE BOX ONLY
1"	JAL Series Boxes	"X"-3 Close-up Plugs Supplied	KRJX-3603	KRJX-3604	JALX-3
1-1/4"			KRJX-4603	KRJX-4604	JALX-4
1-1/4"	AJA Series Boxes	Feed Thru Top and Bottom	KRAJAC-4603	KRAJAC-4604	AJAC-4
1-1/2"			KRAJAC-5603	KRAJAC-5604	AJAC-5
2"			KRAJAC-6603	KRAJAC-6604	AJAC-6
1-1/4"		T Sides and Top	KRAJAT-4603	KRAJAT-4604	AJAT-4
1-1/2"			KRAJAT-5603	KRAJAT-5604	AJAT-5
RECEPTACLE ONLY			KRJ-603	KRJ-604	—

DIMENSIONS-BACK BOXES

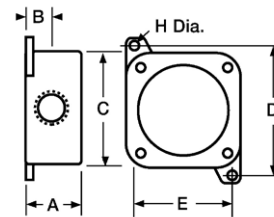


AJAC Types

AJAT Type

ELECTRICAL RATING

CIRCUIT	RATING (60 HERTZ)
1 Ø 2-Wire 3-Pole	30 Amps, 460 V.A.C., 3 H.P. — OR — 60 Amps, 115/230 V.A.C., 3 H.P.
3 Ø 3-Wire 4-Pole	30 Amps, 460 V.A.C., 5 H.P. — OR — 60 Amps, 115/230 V.A.C., 5 H.P.



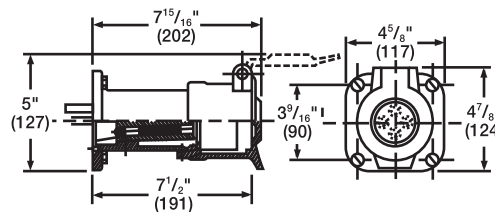
JAL Type

JAL TYPE MOUNTING BOXES

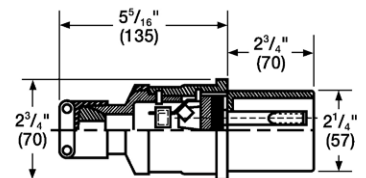
HUB	A	B	C	D	E	H
1"	2-3/8"	1-5/32"	4-5/8"	5-1/4"	4-1/8"	5/16"
1-1/4"	3-1/8"	1-17/32"	4-5/8"	5-1/4"	4-1/8"	5/16"

KR 60 AMP PLUGS

CATALOG NUMBER		GROMMET RANGE
1Ø, 2-WIRE, 3-POLE	3Ø, 3-WIRE 4-POLE	
KP-603D345	KP-604D345	.500-.875
KP-603E45	KP-604E45	.875-1.125
KP-603E67	KP-604E67	1.125-1.375
—	KP-604F34	1.250-1.500
—	KP-604F56	1.500-1.750



KRJ-60 Type Receptacles





KP Type Plugs



XP STARLINE FEATURES



NEC/CEC Certifications

-  **Class I, Div. 1 & 2, Groups C & D at 480VAC; 60/400 Hz, Circuit-Breaking**
-  **Class I, Div 1 & 2, Groups B, C & D Class II, Div.1, Groups F & G at 600VAC, 60/400 Hz, Circuit-Breaking.**
- AEx d IIC T6**

ATEX/IECEx Certifications

-  **II 2 GD Ex d IIC IP 66/67 T 70°C 1000VAC, 500VDC**

FEATURES-SPECIFICATIONS

Features

- **SEALING.** All junction box, NPT and panel mount receptacles are pre-wired and factory sealed eliminating the need for external seals.
- **COVERS.** Environmental threaded covers are standard with all connectors.
- **PIGTAILS.** Receptacle leads may be ordered in any length.
- **REVERSE SERVICE** Vantage connectors were the first explosionproof connectors to secure both UL and CSA listing with reverse service inserts. Their ATEX listing also supports reverse service. This feature provides electrical safety where lineside power is carried from the plug to a receptacle.
- **KEYING.** Inserts can be keyed for phase and voltage separation.
- **COLOR CODING.** Connectors may be ordered in a range of colors and combinations of color.
- **CUSTOM ASSEMBLIES.** Available to user's specifications.
- **CIRCUIT-BREAKING:** UL and CSA Listed to make/break at full rated load. These connectors were required to pass an overload test of 50 cycles at 150% of their ampere rating in a chamber filled with a test mixture of hazardous vapors.

- **INSERT PATTERNS** Grounding inserts with 3, 4, 5, and 6 contacts are described as 2 Pole / 3 Wire, 3 Pole / 4 Wire, 4 Pole / 5 Wire, and 3 Pole / 4 Wire plus 2 relay length contacts. The ground pin is longer and will make first - break last, an important safety feature.
- **COLOR CODING** Plugs and receptacles are available with color coding variations for specific application identification. This coding could include the plug coupling nut and cover with matching colors on various receptacle components.



Materials

- **CORROSION RESISTANCE** Designed for corrosive environments, junction boxes are sand cast, copper-free aluminum, protected by our VanGuard baked polymer finish system. Plug and receptacle shells are machined from 6061-T6 aluminum (0.15 to 0.40% copper by weight) and finished by hard anodizing. SD/SF plug and receptacle shells are machined from 316 stainless steel.

Electrical Ratings

- **CONTROL INSERTS:** Multi-pin inserts can be specified for either crimp or solder termination with contacts whose size and amp ratings are as follows (inserts with the highest contact density per shell size are):



Shell 16	61 - #18 AWG contacts
Shell 20	90 - #18 AWG contacts
Shell 24	100 - #16 AWG contacts

CONTROL CONNECTORS

- Amperage = Up to 30A
- Voltage = Up to 250VAC, 125VDC
- Frequency = 50/60/400 Hz

POWER CONNECTORS

- Amperage = Up to 200A
- Voltage = Up to 1000VAC, 500VDC
- Frequency = 50/60/400 Hz

PIN - SOCKET WIRE SIZE	AMPS	
		
18 AWG (.75 mm ²)	3.5	10
16 AWG (1.5 mm ²)	6.5	15
12 AWG (4.0 mm ²)	10	20
8 AWG / (10 mm ²)	30	32
4 AWG / (25 mm ²)	60	63
1/0 AWG / (55 mm ²)	100	125
4/0 (120 mm ²)	200	260

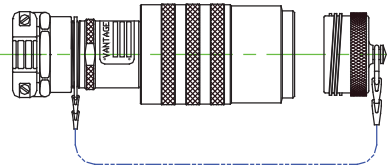




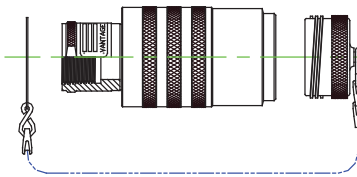
XP STARLINE FEATURES

The **VANTAGE XP STAR-LINE SERIES** of explosionproof connectors is offered in a variety of materials and configurations. Product options and an array of third party listings mean we have a solution for your application. Note, options and features may vary based on third party listing.

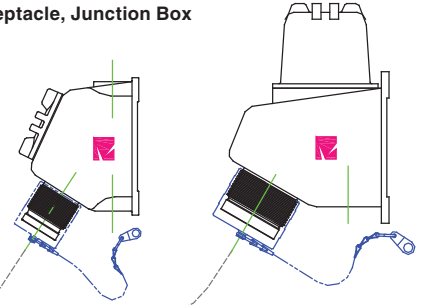
Plug, Attachment (Mechanical Clamp)



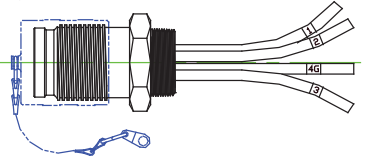
Plug, Tapped NPT (for use with Cable Gland)



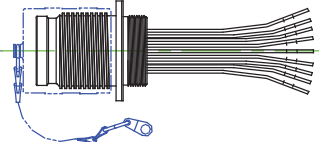
Receptacle, Junction Box



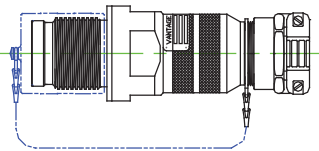
Receptacle, NPT Panel Mount



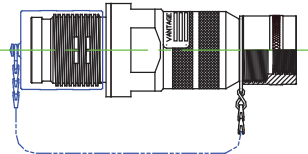
Receptacle, Panel Mount



Receptacle, Attachment (Mechanical Clamp)



Receptacle, Tapped NPT (for use with Cable Gland)



VICTORY SERIES MACHINED, HARD ANODIZED ALUMINUM			
GD POWER	II 2 GD EEx d IIC T6 IP 66/67 T 70°C	Class I, Division 1, Groups B, C & D	Class I, Division 1, Groups C & D
AF CONTROL		Class II, Division 1, Groups F & G	
MILLENNIUM SERIES STAINLESS STEEL, ALLOY 316			
SD POWER	II 2 GD EEx d IIC T6 IP 66/67 T 70°C	Class I, Division 1, Groups B, C & D	
SF CONTROL		Class II, Division 1, Groups F & G	

RECEPTACLE STYLES				
JUNCTION BOX	ATTACHMENT (MECHANICAL CLAMP)	PANEL MOUNT	NPT PANEL MOUNT	TAPPED NPT

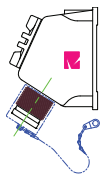
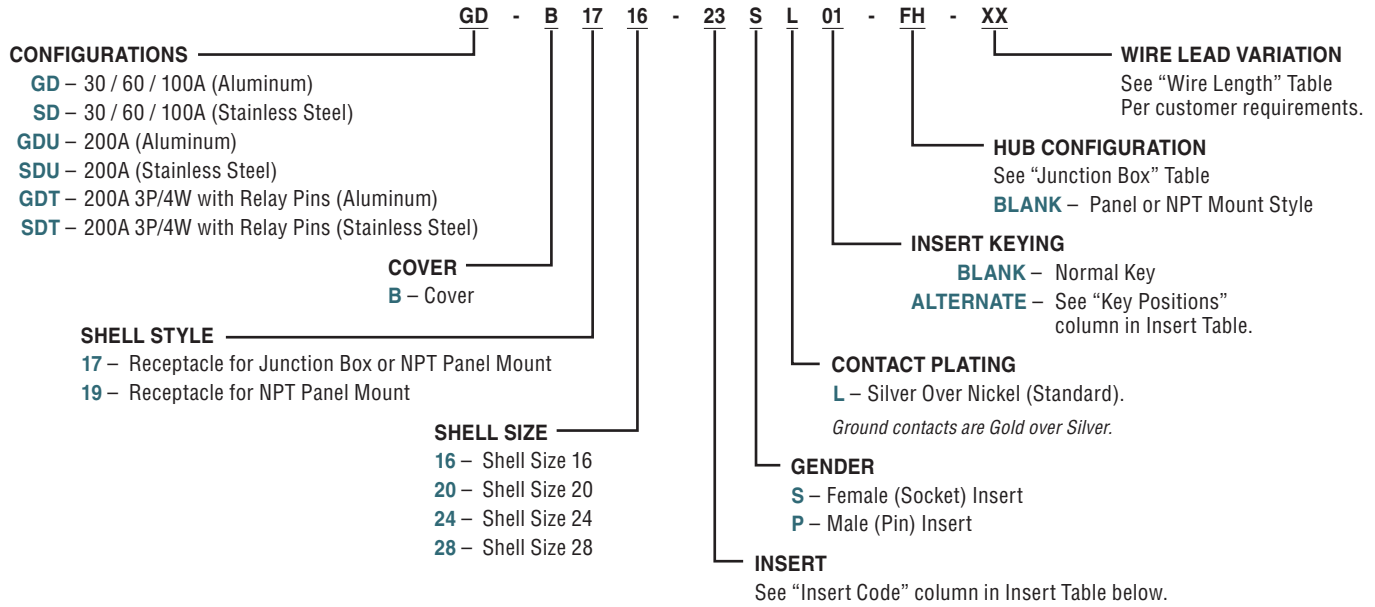


CONNECTIVITY

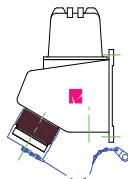
EXPLOSIONPROOF STARLINE

CODE LOGIC • GD & SD RECEPTACLES

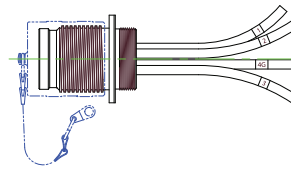
CATALOG LOGIC



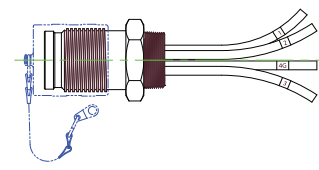
Receptacle, Junction Box



Receptacle, Junction Box



Receptacle, Panel Mount



Receptacle, NPT Panel Mount

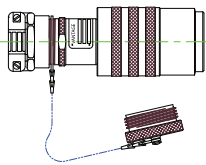
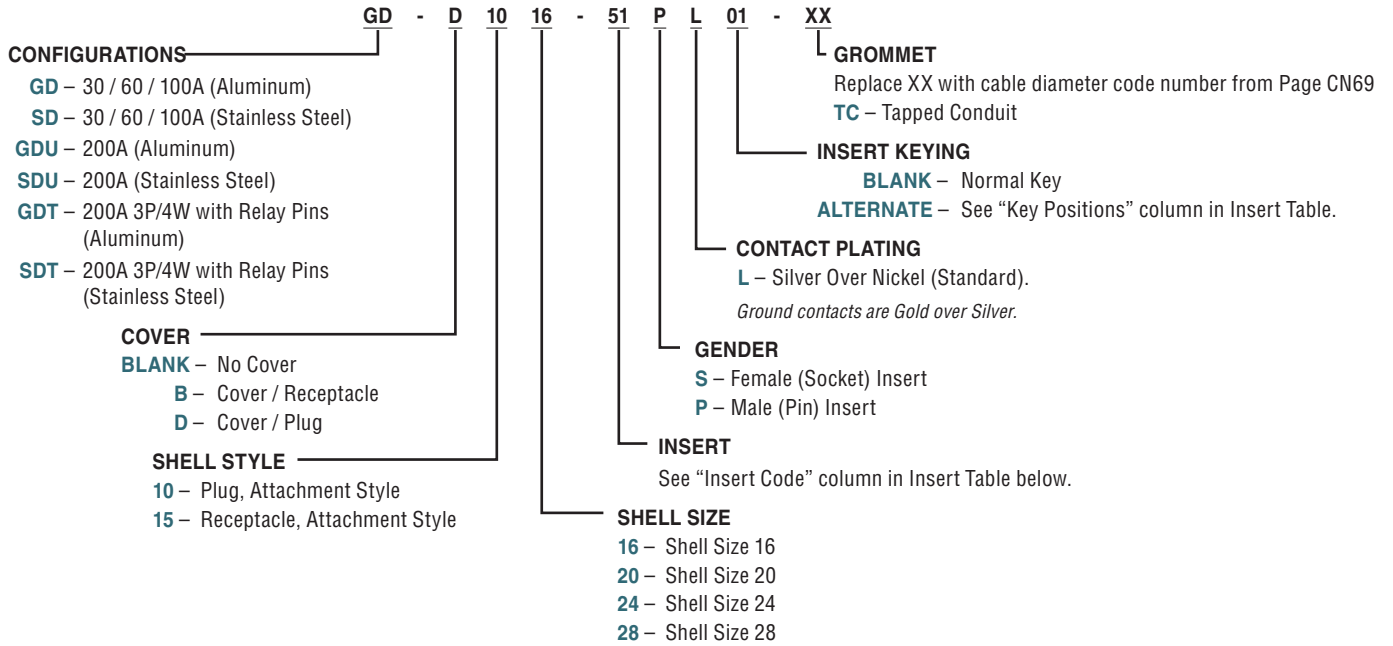
INSERT TABLE						
AMPERES			INSERT	SHELL SIZE	INSERT CODE	KEY POSITIONS (N = NORMAL POSITION)
UL	CS	Ex				
30	C	32	2 POLE, 3 WIRE	16	51	N + 5
			3 POLE, 4 WIRE	16	23	N + 5
			4 POLE, 5 WIRE	20	36	N + 2
60	C	63	2 POLE, 3 WIRE	20	61	N + 7
			3 POLE, 4 WIRE	20	40	N + 4
			4 POLE, 5 WIRE	24	29	N + 3
100	C	125	2 POLE, 3 WIRE	24	60	N + 7
			3 POLE, 4 WIRE	24	39	N + 5
			4 POLE, 5 WIRE	28	23	N + 3
200	C	260	2 POLE, 3 WIRE	28	30	N + 9
			3 POLE, 4 WIRE	28	31	N + 10
			5 POLE 6 WIRE (3 POLE 4 WIRE and 2 relay contacts)	28	42	N + 3

WIRE LENGTH		
CODE	LENGTH	
	INCHES	METERS
L12	12	0.31
L24	24	0.61
L36	36	0.91
Etc	Etc	

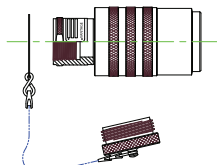
JUNCTION BOX		
SHELL SIZE	CONDUIT HUB LOCATION	CONDUIT HUB SIZE (INCHES)
16 & 20	'F' TOP & BOTTOM	'H' 1½ - 11½ NPT
24	'B' BOTTOM	'K' 2½ - 8 NPT
28	'B' BOTTOM	'L' 3 - 8 NPT



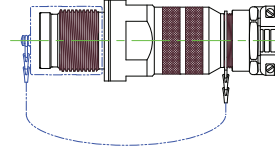
CODE LOGIC • GD & SD ATTACHMENT CONNECTORS



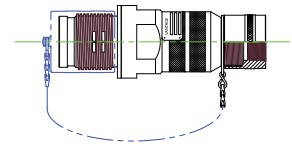
Plug, Attachment



Plug, Tapped Conduit



Receptacle, Attachment



Receptacle, Tapped Conduit

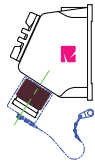
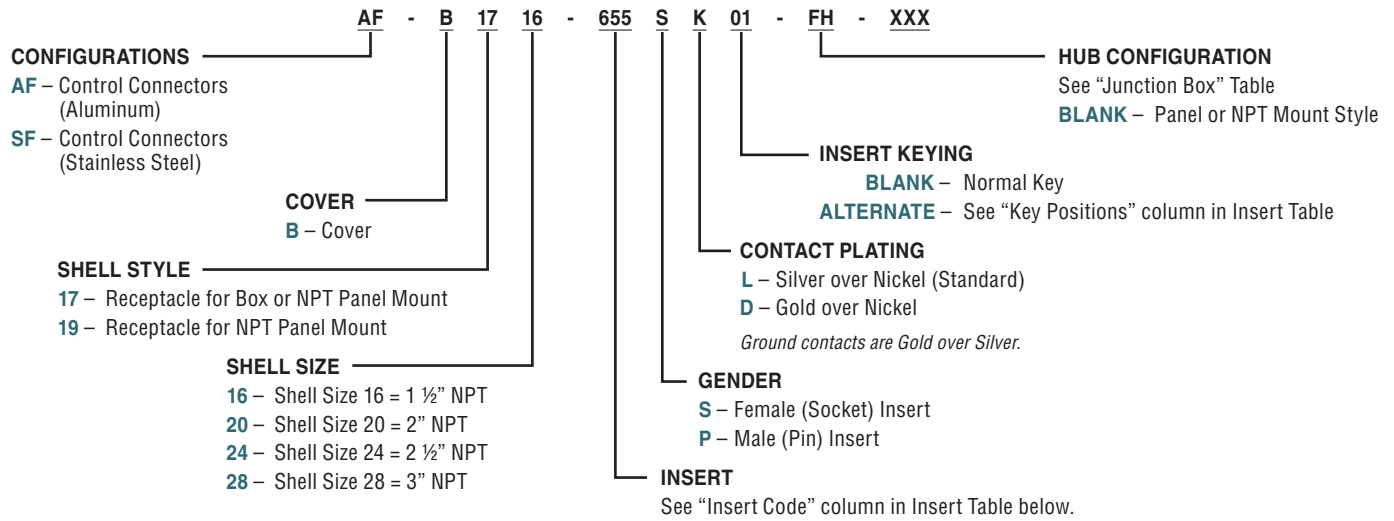
INSERT TABLE						
AMPERES			INSERT	SHELL SIZE	INSERT CODE	KEY POSITIONS (N = NORMAL POSITION)
UL	SP	Ex				
30	32		2 POLE, 3 WIRE	16	51	N + 5
			3 POLE, 4 WIRE	16	23	N + 5
			4 POLE, 5 WIRE	20	36	N + 2
60	63		2 POLE, 3 WIRE	20	61	N + 7
			3 POLE, 4 WIRE	20	40	N + 4
			4 POLE, 5 WIRE	24	29	N + 3
100	125		2 POLE, 3 WIRE	24	60	N + 7
			3 POLE, 4 WIRE	24	39	N + 5
			4 POLE, 5 WIRE	28	23	N + 3
200	260		2 POLE, 3 WIRE	28	30	N + 9
			3 POLE, 4 WIRE	28	31	N + 10
			5 POLE 6 WIRE (3 POLE 4 WIRE and 2 relay contacts)	28	42	N + 3



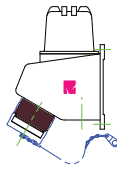
CONNECTIVITY

EXPLOSIONPROOF STARLINE

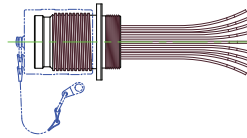
CODE LOGIC • AF & SF RECEPTACLES



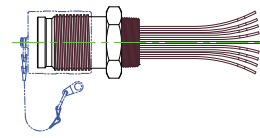
Receptacle, Junction Box



Receptacle, Junction Box



Receptacle, Panel Mount



Receptacle, NPT Panel Mount

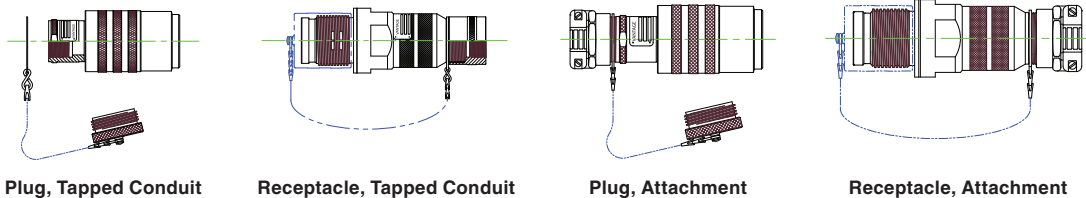
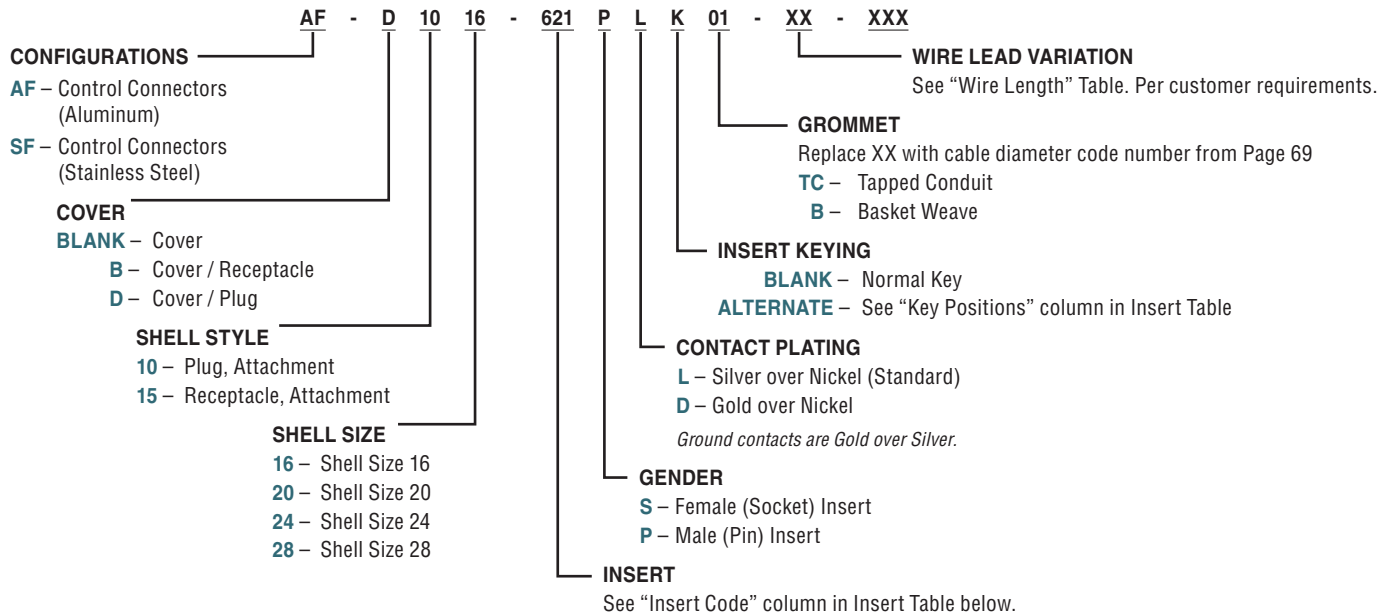
INSERT TABLE				
CONTACT QUANTITY	PIN SIZE AWG (MM ²)	SHELL SIZE	INSERT CODE	KEY POSITIONS (N = NORMAL POSITION)
10	#12 (4.0)	16	681	N + 4
10	#12 / G (4.0)	16	676	N + 1
19	#12 / G (4.0)	16	612	N + 4
19	#12 (4.0)	16	677	N + 1
19	#12 (4.0)	20	676	N + 5
19	#12 / G (4.0)	20	688	N
19	#16 (1.5)	16	655	N + 9
20	#12 (4.0)	20	632	N + 3
20	#12 / G (4.0)	20	687	N + 1
37	#12 (4.0)	20	686	N
37	#12 / G (4.0)	20	650	N + 3
37	#16 (1.5)	16	621	N + 9
55	#18 (.75)	16	640	N + 10
61	#18 (.75)	16	633	N + 4
68	#16 (1.5)	20	613	N + 4
100	#16 (1.5)	24	613	N + 4

CODE	WIRE LENGTH	
	INCHES	METERS
L12	12	0.31
L24	24	0.61
L36	36	0.91
Etc		Etc

JUNCTION BOX		
SHELL SIZE	CONDUIT HUB LOCATION	CONDUIT HUB SIZE (INCHES)
16 & 20	'F' TOP & BOTTOM	'H' 1½ - 11½ NPT
24	'B' BOTTOM	'K' 2½ - 8 NPT
28	'B' BOTTOM	'L' 3 - 8 NPT



CODE LOGIC • AF & SF ATTACHMENT CONNECTORS



Plug, Tapped Conduit

Receptacle, Tapped Conduit

Plug, Attachment

Receptacle, Attachment

INSERT TABLE

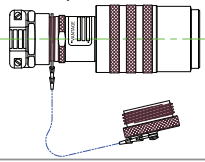
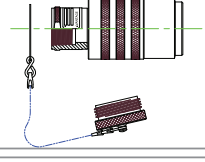
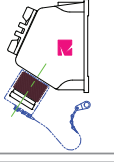
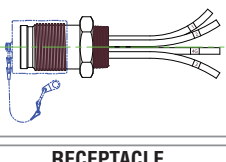
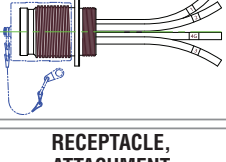
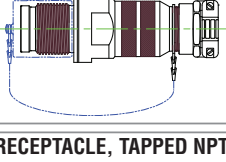
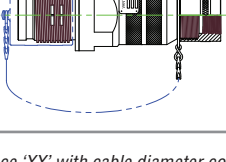
CONTACT QUANTITY	PIN SIZE AWG (MM ²)	SHELL SIZE	INSERT CODE	KEY POSITIONS (N = NORMAL POSITION)
10	#12 (4.0)	16	681	N + 4
10	#12 / G (4.0)	16	676	N + 1
19	#12 / G (4.0)	16	612	N + 4
19	#12 (4.0)	16	677	N + 1
19	#12 (4.0)	20	676	N + 5
19	#12 / G (4.0)	20	688	N
19	#16 (1.5)	16	655	N + 9
20	#12 (4.0)	20	632	N + 3
20	#12 / G (4.0)	20	687	N + 1
37	#12 (4.0)	20	686	N
37	#12 / G (4.0)	20	650	N + 3
37	#16 (1.5)	16	621	N + 9
55	#18 (.75)	16	640	N + 10
61	#18 (.75)	16	633	N + 4
68	#16 (1.5)	20	613	N + 4
100	#16 (1.5)	24	613	N + 4



CONNECTIVITY

EXPLOSIONPROOF STARLINE

GD PART NUMBERS

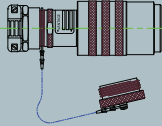
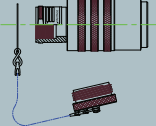



	AMPERES		2 POLE, 3 WIRE	3 POLE, 4 WIRE	3 POLE, 4 WIRE + 2 RELAY	4 POLE, 5 WIRE
	UL	Ex				
PLUG, ATTACHMENT 	30 / 32		GD-D1016-51PL-XX	GD-D1016-23PL-XX	—	GD-D1020-36PL-XX
	60 / 63		GD-D1020-61PL-XX	GD-D1020-40PL-XX	GD-D1020-56PL-XX	GD-D1024-29PL-XX
	100 / 125		GD-D1024-60PL-XX	GD-D1024-39PL-XX	GD-D1024-32PL-XX	GD-D1028-23PL-XX
	200 / 260		GDU-D1028-30PL-XX	GDU-D1028-31PL-XX	GDT-D1028-42PL-XX	—
PLUG, TAPPED NPT 	30 / 32		GD-D1016-51PL-TC	GD-D1016-23PL-TC	—	GD-D1020-36PL-TC
	60 / 63		GD-D1020-61PL-TC	GD-D1020-40PL-TC	GD-D1020-56PL-TC	GD-D1024-29PL-TC
	100 / 125		GD-D1024-60PL-TC	GD-D1024-39PL-TC	GD-D1024-32PL-TC	GD-D1028-23PL-TC
	200 / 260		GDU-D1028-30PL-TC	GDU-D1028-31PL-TC	GDT-D1028-42PL-TC	—
RECEPTACLE, JUNCTION BOX 	30 / 32		GD-B1716-51SL-FH	GD-B1716-23SL-FH	—	GD-B1720-36SL-FH
	60 / 63		GD-B1720-61SL-FH	GD-B1720-40SL-FH	GD-B1720-56SL-FH	GD-B1724-29SL-BK
	100 / 125		GD-B1724-60SL-BK	GD-B1724-39SL-BK	GD-B1724-32SL-BK	GD-B1728-23SL-BL
	200 / 260		GDU-B1728-30SL-BL	GDU-B1728-31SL-BL	GDT-B1728-42SL-BL	—
RECEPTACLE, NPT PANEL MOUNT 	30 / 32		GD-B1916-51SL-L48	GD-B1916-23SL-L48	—	GD-B1920-36SL-L48
	60 / 63		GD-B1920-61SL-L48	GD-B1920-40SL-L48	GD-B1920-56SL-L48	GD-B1924-29SL-L48
	100 / 125		GD-B1924-60SL-L48	GD-B1924-39SL-L48	GD-B1924-32SL-L48	GD-B1928-23SL-L48
	200 / 260		GDU-B1928-30SL-L48	GDU-B1928-31SL-L48	GDT-B1928-42SL-L48	—
RECEPTACLE, PANEL MOUNT 	30 / 32		GD-B1716-51SL-L36	GD-B1716-23SL-L36	—	GD-B1720-36SL-L36
	60 / 63		GD-B1720-61SL-L36	GD-B1720-40SL-L36	GD-B1720-56SL-L36	GD-B1724-29SL-L36
	100 / 125		GD-B1724-60SL-L36	GD-B1724-39SL-L36	GD-B1724-32SL-L36	GD-B1728-23SL-L36
	200 / 260		GDU-B1728-30SL-L36	GDU-B1728-31SL-L36	GDT-B1728-42SL-L36	—
RECEPTACLE, ATTACHMENT 	30 / 32		GD-B1516-51SL-XX	GD-B1516-23SL-XX	—	GD-B1520-36SL-XX
	60 / 63		GD-B1520-61SL-XX	GD-B1520-40SL-XX	GD-B1520-56SL-XX	GD-B1524-29SL-XX
	100 / 125		GD-B1524-60SL-XX	GD-B1524-39SL-XX	GD-B1524-32SL-XX	GD-B1528-23SL-XX
	200 / 260		GDU-B1528-30SL-XX	GDU-B1528-31SL-XX	GDT-B1528-42SL-XX	—
RECEPTACLE, TAPPED NPT 	30 / 32		GD-B1516-51SL-TC	GD-B1516-23SL-TC	—	GD-B1520-36SL-TC
	60 / 63		GD-B1520-61SL-TC	GD-B1520-40SL-TC	GD-B1520-56SL-TC	GD-B1524-29SL-TC
	100 / 125		GD-B1524-60SL-TC	GD-B1524-39SL-TC	GD-B1524-32SL-TC	GD-B1528-23SL-TC
	200 / 260		GDU-B1528-30SL-TC	GDU-B1528-31SL-TC	GDT-B1528-42SL-TC	—

Replace 'XX' with cable diameter code number from XP Starline Environmental Sealing chart
 Pre-wired lead length can be specified to suit application. Consult factory

CONNECTIVITY EXPLOSIONPROOF STARLINE



AF PART NUMBERS

PIN QUANTITY	PIN SIZE AWG (MM2) 'G' = WITH GROUND PIN	AMPS @ 250 VAC ¹		PLUG, ATTACHMENT 	PLUG, TAPPED CONDUIT 	RECEPTACLE, JUNCTION BOX 
						
10	#12 (4.0)	10.0	20	AF-D1016-681PL-XX	AF-D1016-681PL-TC	AF-B1716-681SL-FH
10	#12 G (4.0)	10.0	20	AF-D1016-676PL-XX	AF-D1016-676PL-TC	AF-B1716-676SL-FH
19	#12 G (4.0)	10.0	20	AF-D1016-612PL-XX	AF-D1016-612PL-TC	AF-B1716-612SL-FH
19	#12 (4.0)	10.0	20	AF-D1016-677PL-XX	AF-D1016-677PL-TC	AF-B1716-677SL-FH
19	#12 (4.0)	10.0 ¹	20	AF-D1020-676PL-XX	AF-D1020-676PL-TC	AF-B1720-676SL-FH
19	#12 G (4.0)	10.0 ¹	20	AF-D1020-688PL-XX	AF-D1020-688PL-TC	AF-B1720-688SL-FH
19	#16 (1.5)	6.5	15	AF-D1016-655PL-XX	AF-D1016-655PL-TC	AF-B1716-655SL-FH
20	#12 (4.0)	10.0	20	AF-D1020-632PL-XX	AF-D1020-632PL-TC	AF-B1720-632SL-FH
20	#12 G (4.0)	10.0	20	AF-D1020-687PL-XX	AF-D1020-687PL-TC	AF-B1720-687SL-FH
37	#12 (4.0)	10.0	20	AF-D1020-686PL-XX	AF-D1020-686PL-TC	AF-B1720-686SL-FH
37	#12 G (4.0)	10.0	20	AF-D1020-650PL-XX	AF-D1020-650PL-TC	AF-B1720-650SL-FH
37	#16 (1.5)	6.5	15	AF-D1016-621PL-XX	AF-D1016-621PL-TC	AF-B1716-621SL-FH
55	#18 (.75)	3.5	10	AF-D1016-640PL-XX	AF-D1016-640PL-TC	AF-B1716-640SL-FH
61	#18 (.75)	3.5	10	AF-D1016-633PL-XX	AF-D1016-633PL-TC	AF-B1716-633SL-FH
68	#16 (1.5)	6.5	15	AF-D1020-613PL-XX	AF-D1020-613PL-TC	AF-B1720-613SL-FH
100	#16 (1.5)	5.0	15	AF-D1024-613PL-XX	AF-D1024-613PL-TC	AF-B1724-613SL-BK

Replace 'XX' with cable diameter code number from XP Starline Environmental Sealing chart

Pre-wired lead length can be specified to suit application. Consult factory



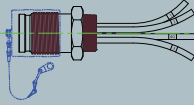
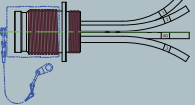
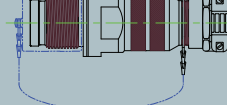
¹ = Insert is also rated 480 VAC non-circuit breaking.



CONNECTIVITY

EXPLOSIONPROOF STARLINE

AF PART NUMBERS

PIN QUANTITY	PIN SIZE AWG (MM ²) 'G' = WITH GROUND PIN	AMPS @ 250 VAC ¹		RECEPTACLE, NPT	RECEPTACLE, PANEL MOUNT	RECEPTACLE, ATTACHMENT
						
10	#12 (4.0)	10.0	20	AF-B1916-681SL-L48	AF-B1716-681SL-L36	AF-B1516-681SL-XX
10	#12 G (4.0)	10.0	20	AF-B1916-676SL-L48	AF-B1716-676SL-L36	AF-B1516-676SL-XX
19	#12 G (4.0)	10.0	20	AF-B1916-612SL-L48	AF-B1716-612SL-L36	AF-B1516-612SL-XX
19	#12 (4.0)	10.0	20	AF-B1916-677SL-L48	AF-B1716-677SL-L36	AF-B1516-677SL-XX
19	#12 (4.0)	10.0 ¹	20	AF-B1920-676SL-L48	AF-B1720-676SL-L36	AF-B1520-676SL-XX
19	#12 G (4.0)	10.0 ¹	20	AF-B1920-688SL-L48	AF-B1720-688SL-L36	AF-B1520-688SL-XX
19	#16 (1.5)	6.5	15	AF-B1916-655SL-L48	AF-B1716-655SL-L36	AF-B1516-655SL-XX
20	#12 (4.0)	10.0	20	AF-B1920-632SL-L48	AF-B1720-632SL-L36	AF-B1520-632SL-XX
20	#12 G (4.0)	10.0	20	AF-B1920-687SL-L48	AF-B1720-687SL-L36	AF-B1520-687SL-XX
37	#12 (4.0)	10.0	20	AF-B1920-686SL-L48	AF-B1720-686SL-L36	AF-B1520-686SL-XX
37	#12 G (4.0)	10.0	20	AF-B1920-650SL-L48	AF-B1720-650SL-L36	AF-B1520-650SL-XX
37	#16 (1.5)	6.5	15	AF-B1916-621SL-L48	AF-B1716-621SL-L36	AF-B1516-621SL-XX
55	#18 (.75)	3.5	10	AF-B1916-640SL-L48	AF-B1716-640SL-L36	AF-B1516-640SL-XX
61	#18 (.75)	3.5	10	AF-B1916-633SL-L48	AF-B1716-633SL-L36	AF-B1516-633SL-XX
68	#16 (1.5)	6.5	15	AF-B1920-613SL-L48	AF-B1720-613SL-L36	AF-B1520-613SL-XX
100	#16 (1.5)	5.0	15	AF-B1924-613SL-L48	AF-B1724-613SL-L36	AF-B1524-613SL-XX

Replace 'XX' with cable diameter code number from XP Starline Environmental Sealing chart

Pre-wired lead length can be specified to suit application. Consult factory

¹ = Insert is also rated 480 VAC non-circuit breaking.



SD PART NUMBERS

	AMPERES		2 POLE, 3 WIRE	3 POLE, 4 WIRE	3 POLE, 4 WIRE + 2 RELAY	4 POLE, 5 WIRE
	UL	Ex				
PLUG, ATTACHMENT 	30 / 32		SD-D1016-51PL-XX	SD-D1016-23PL-XX	—	SD-D1020-36PL-XX
	60 / 63		SD-D1020-61PL-XX	SD-D1020-40PL-XX	SD-D1020-56PL-XX	SD-D1024-29PL-XX
	100 / 125		SD-D1024-60PL-XX	SD-D1024-39PL-XX	SD-D1024-32PL-XX	SD-D1028-23PL-XX
	200 / 260		SDU-D1028-30PL-XX	SDU-D1028-31PL-XX	SDT-D1028-42PL-XX	—
PLUG, TAPPED NPT 	30 / 32		SD-D1016-51PL-TC	SD-D1016-23PL-TC	—	SD-D1020-36PL-TC
	60 / 63		SD-D1020-61PL-TC	SD-D1020-40PL-TC	SD-D1020-56PL-TC	SD-D1024-29PL-TC
	100 / 125		SD-D1024-60PL-TC	SD-D1024-39PL-TC	SD-D1024-32PL-TC	SD-D1028-23PL-TC
	200 / 260		SDU-D1028-30PL-TC	SDU-D1028-31PL-TC	SDT-D1028-42PL-TC	—
RECEPTACLE, JUNCTION BOX 	30 / 32		SD-B1716-51SL-FH	SD-B1716-23SL-FH	—	SD-B1720-36SL-FH
	60 / 63		SD-B1720-61SL-FH	SD-B1720-40SL-FH	SD-B1720-56SL-FH	SD-B1724-29SL-BK
	100 / 125		SD-B1724-60SL-BK	SD-B1724-39SL-BK	SD-B1724-32SL-BK	SD-B1728-23SL-BL
	200 / 260		SDU-B1728-30SL-BL	SDU-B1728-31SL-BL	SDT-B1728-42SL-BL	—
RECEPTACLE, NPT PANEL MOUNT 	30 / 32		SD-B1916-51SL-L48	SD-B1916-23SL-L48	—	SD-B1920-36SL-L48
	60 / 63		SD-B1920-61SL-L48	SD-B1920-40SL-L48	SD-B1920-56SL-L48	SD-B1924-29SL-L48
	100 / 125		SD-B1924-60SL-L48	SD-B1924-39SL-L48	SD-B1924-32SL-L48	SD-B1928-23SL-L48
	200 / 260		SDU-B1928-30SL-L48	SDU-B1928-31SL-L48	SDT-B1928-42SL-L48	—
RECEPTACLE, PANEL MOUNT 	30 / 32		SD-B1716-51SL-L36	SD-B1716-23SL-L36	—	SD-B1720-36SL-L36
	60 / 63		SD-B1720-61SL-L36	SD-B1720-40SL-L36	SD-B1720-56SL-L36	SD-B1724-29SL-L36
	100 / 125		SD-B1724-60SL-L36	SD-B1724-39SL-L36	SD-B1724-32SL-L36	SD-B1728-23SL-L36
	200 / 260		SDU-B1728-30SL-L36	SDU-B1728-31SL-L36	SDT-B1728-42SL-L36	—
RECEPTACLE, ATTACHMENT 	30 / 32		SD-B1516-51SL-XX	SD-B1516-23SL-XX	—	SD-B1520-36SL-XX
	60 / 63		SD-B1520-61SL-XX	SD-B1520-40SL-XX	SD-B1520-56SL-XX	SD-B1524-29SL-XX
	100 / 125		SD-B1524-60SL-XX	SD-B1524-39SL-XX	SD-B1524-32SL-XX	SD-B1528-23SL-XX
	200 / 260		SDU-B1528-30SL-XX	SDU-B1528-31SL-XX	SDT-B1528-42SL-XX	—
RECEPTACLE, TAPPED NPT 	30 / 32		SD-B1516-51SL-TC	SD-B1516-23SL-TC	—	SD-B1520-36SL-TC
	60 / 63		SD-B1520-61SL-TC	SD-B1520-40SL-TC	SD-B1520-56SL-TC	SD-B1524-29SL-TC
	100 / 125		SD-B1524-60SL-TC	SD-B1524-39SL-TC	SD-B1524-32SL-TC	SD-B1528-23SL-TC
	200 / 260		SDU-B1528-30SL-TC	SDU-B1528-31SL-TC	SDT-B1528-42SL-TC	—

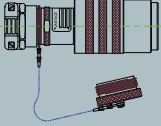
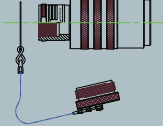



Replace 'XX' with cable diameter code number from XP Starline Environmental Sealing chart
Pre-wired lead length can be specified to suit application. Consult factory



CONNECTIVITY

EXPLOSIONPROOF STARLINE

SF PART NUMBERS

PIN QUANTITY	PIN SIZE AWG (MM ²) 'G' = WITH GROUND PIN	AMPS @ 250 VAC ¹		PLUG, ATTACHMENT 	PLUG, TAPPED CONDUIT 	RECEPTACLE, JUNCTION BOX 
						
10	#12 (4.0)	10.0	20	SF-D1016-681PL-XX	SF-D1016-681PL-TC	SF-B1716-681SL-FH
10	#12 G (4.0)	10.0	20	SF-D1016-676PL-XX	SF-D1016-676PL-TC	SF-B1716-676SL-FH
19	#12 G (4.0)	10.0	20	SF-D1016-612PL-XX	SF-D1016-612PL-TC	SF-B1716-612SL-FH
19	#12 (4.0)	10.0	20	SF-D1016-677PL-XX	SF-D1016-677PL-TC	SF-B1716-677SL-FH
19	#12 (4.0)	10.0 ¹	20	SF-D1020-676PL-XX	SF-D1020-676PL-TC	SF-B1720-676SL-FH
19	#12 G (4.0)	10.0 ¹	20	SF-D1020-688PL-XX	SF-D1020-688PL-TC	SF-B1720-688SL-FH
19	#16 (1.5)	6.5	15	SF-D1016-655PL-XX	SF-D1016-655PL-TC	SF-B1716-655SL-FH
20	#12 (4.0)	10.0	20	SF-D1020-632PL-XX	SF-D1020-632PL-TC	SF-B1720-632SL-FH
20	#12 G (4.0)	10.0	20	SF-D1020-687PL-XX	SF-D1020-687PL-TC	SF-B1720-687SL-FH
37	#12 (4.0)	10.0	20	SF-D1020-686PL-XX	SF-D1020-686PL-TC	SF-B1720-686SL-FH
37	#12 G (4.0)	10.0	20	SF-D1020-650PL-XX	SF-D1020-650PL-TC	SF-B1720-650SL-FH
37	#16 (1.5)	6.5	15	SF-D1016-621PL-XX	SF-D1016-621PL-TC	SF-B1716-621SL-FH
55	#18 (.75)	3.5	10	SF-D1016-640PL-XX	SF-D1016-640PL-TC	SF-B1716-640SL-FH
61	#18 (.75)	3.5	10	SF-D1016-633PL-XX	SF-D1016-633PL-TC	SF-B1716-633SL-FH
68	#16 (1.5)	6.5	15	SF-D1020-613PL-XX	SF-D1020-613PL-TC	SF-B1720-613SL-FH
100	#16 (1.5)	5.0	15	SF-D1024-613PL-XX	SF-D1024-613PL-TC	SF-B1724-613SL-BK

Replace 'XX' with cable diameter code number from XP Starline Environmental Sealing chart



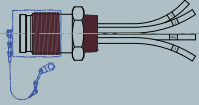
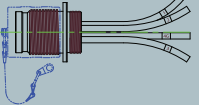
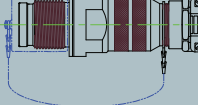
Pre-wired lead length can be specified to suit application. Consult factory

¹ = Insert is also rated 480 VAC non-circuit breaking.

CONNECTIVITY EXPLOSIONPROOF STARLINE



SF PART NUMBERS CONTINUED

PIN QUANTITY	PIN SIZE AWG (MM ²) 'G' = WITH GROUND PIN	AMPS @ 250 VAC ¹		RECEPTACLE, NPT	RECEPTACLE, PANEL MOUNT	RECEPTACLE, ATTACHMENT
						
10	#12 (4.0)	10.0	20	SF-B1916-681SL-L48	SF-B1716-681SL-L36	SF-B1516-681SL-XX
10	#12 G (4.0)	10.0	20	SF-B1916-676SL-L48	SF-B1716-676SL-L36	SF-B1516-676SL-XX
19	#12 G (4.0)	10.0	20	SF-B1916-612SL-L48	SF-B1716-612SL-L36	SF-B1516-612SL-XX
19	#12 (4.0)	10.0	20	SF-B1916-677SL-L48	SF-B1716-677SL-L36	SF-B1516-677SL-XX
19	#12 (4.0)	10.0 ¹	20	SF-B1920-676SL-L48	SF-B1720-676SL-L36	SF-B1520-676SL-XX
19	#12 G (4.0)	10.0 ¹	20	SF-B1920-688SL-L48	SF-B1720-688SL-L36	SF-B1520-688SL-XX
19	#16 (1.5)	6.5	15	SF-B1916-655SL-L48	SF-B1716-655SL-L36	SF-B1516-655SL-XX
20	#12 (4.0)	10.0	20	SF-B1920-632SL-L48	SF-B1720-632SL-L36	SF-B1520-632SL-XX
20	#12 G (4.0)	10.0	20	SF-B1920-687SL-L48	SF-B1720-687SL-L36	SF-B1520-687SL-XX
37	#12 (4.0)	10.0	20	SF-B1920-686SL-L48	SF-B1720-686SL-L36	SF-B1520-686SL-XX
37	#12 G (4.0)	10.0	20	SF-B1920-650SL-L48	SF-B1720-650SL-L36	SF-B1520-650SL-XX
37	#16 (1.5)	6.5	15	SF-B1916-621SL-L48	SF-B1716-621SL-L36	SF-B1516-621SL-XX
55	#18 (.75)	3.5	10	SF-B1916-640SL-L48	SF-B1716-640SL-L36	SF-B1516-640SL-XX
61	#18 (.75)	3.5	10	SF-B1916-633SL-L48	SF-B1716-633SL-L36	SF-B1516-633SL-XX
68	#16 (1.5)	6.5	15	SF-B1920-613SL-L48	SF-B1720-613SL-L36	SF-B1520-613SL-XX
100	#16 (1.5)	5.0	15	SF-B1924-613SL-L48	SF-B1724-613SL-L36	SF-B1524-613SL-XX

Replace 'XX' with cable diameter code number from XP Starline Environmental Sealing chart

Pre-wired lead length can be specified to suit application. Consult factory

¹' = Insert is also rated 480 VAC non-circuit breaking.

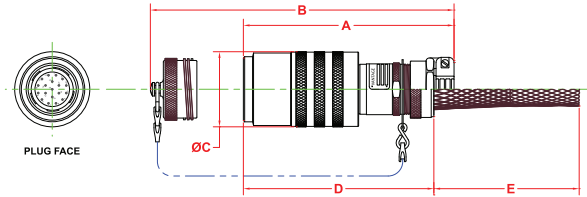


XP STARLINE DIMENSIONS

ATTACHMENT PLUG

	SHELL SIZE	A INCHES ±0.3 (MM ±8)	B INCHES ±0.3 (MM ±8)	C INCHES (MM)	D INCHES ±0.3 (MM ±8)	E INCHES (MM)	WEIGHT ¹ LBS (KG)
AF/SF GD/SD BM Stainless Steel Weight Factor 2.0	16	9.3 (236)	10.3 (262)	2.977 (75.6)	8.4 (213)	3.75 - 10.25 (95 - 260)	4.0 (1.8)
	20	10.0 (254)	11.0 (279)	3.577 (90.9)	9.0 (229)	5.75 - 14.25 (146 - 362)	5.2 (2.4)
	24	10.4 (264)	11.4 (290)	4.182 (106.2)	9.4 (239)	8.25 - 17.25 (210 - 438)	7.2 (3.3)
	28	10.9 (277)	11.9 (302)	4.814 (122.3)	9.8 (249)	13.75 - 19.75 (349 - 502)	9.1 (4.1)
GB/SB GDU/SDU Stainless Steel Weight Factor 2.0	16	10.3 (262)	11.3 (287)	2.977 (75.6)	9.4 (238)	3.75 - 10.25 (95 - 260)	3.9 (1.8)
	20	11.0 (279)	12.0 (305)	3.577 (90.9)	10.0 (254)	5.75 - 14.25 (146 - 362)	6.0 (2.7)
	24	11.4 (290)	12.4 (315)	4.182 (106.2)	10.4 (264)	8.25 - 17.25 (210 - 438)	8.4 (3.8)
	28	11.9 (302)	12.9 (328)	4.814 (122.3)	10.8 (274)	13.75 - 19.75 (349 - 502)	12.1 (5.5)

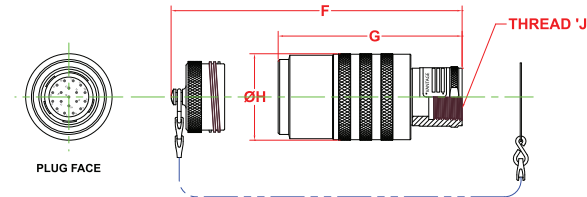
1. Weights provided for Victory Series (aluminum) with mechanical clamp configuration. Multiply by "Stainless Steel Weight Factor" to determine weight for Millennium Series (stainless steel).



NPT TAPPED PLUG

	SHELL SIZE	F INCHES (MM)	G INCHES (MM)	H INCHES (MM)	NPT THREAD 'J'	WEIGHT ¹ LBS (KG)	WEIGHT ¹ LBS (KG)
AF/SF GD/SD BM Stainless Steel Weight Factor 2.4	16	7.9 (200)	6.9 (175)	2.977 (75.6)	1 ¼ - 11 ½	2.9 (1.3)	4.0 (1.8)
	20	8.2 (208)	7.2 (183)	3.577 (90.9)	1 ½ - 11 ½	4.0 (1.8)	5.2 (2.4)
	24	8.4 (213)	7.4 (188)	4.182 (106.2)	2 - 11 ½	5.4 (2.5)	7.2 (3.3)
	28	8.8 (224)	7.8 (198)	4.814 (122.3)	2 ½ - 8	7.2 (3.3)	9.1 (4.1)
GB/SB GDU/SDU Stainless Steel Weight Factor 2.4	16	8.9 (226)	7.9 (201)	2.977 (75.6)	1 ¼ - 11 ½	3.4 (1.5)	3.9 (1.8)
	20	9.2 (234)	8.2 (208)	3.577 (90.9)	1 ½ - 11 ½	5.0 (2.3)	6.0 (2.7)
	24	9.4 (239)	8.4 (213)	4.182 (106.2)	2 - 11 ½	7.4 (3.4)	8.4 (3.8)
	28	9.8 (249)	8.8 (224)	4.814 (122.3)	2 ½ - 8	9.5 (4.3)	12.1 (5.5)

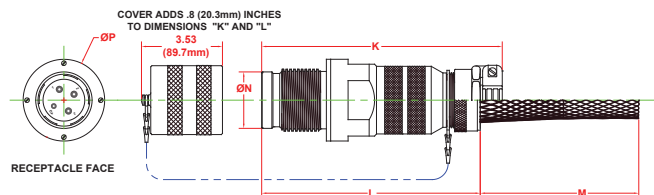
1. Weights provided for Victory Series (aluminum). Multiply by "Stainless Steel Weight Factor" to determine weight for Millennium Series (stainless steel).



ATTACHMENT RECEPTACLE

	SHELL SIZE	K INCHES ±0.3 (MM ±8)	L INCHES ±0.3 (MM ±8)	M INCHES (MM)	N INCHES (MM)	P INCHES (MM)	WEIGHT ¹ LBS (KG)
AF/SF GD/SD BM Stainless Steel Weight Factor 2.0	16	10.0 (254)	9.1 (231)	3.75 - 10.25 (95 - 260)	1.969 (50.1)	3.063 (77.8)	3.4 (1.5)
	20	10.7 (272)	9.7 (246)	5.75 - 14.25 (146 - 362)	2.469 (62.7)	3.563 (90.5)	4.7 (2.1)
	24	11.1 (282)	10.1 (257)	8.25 - 17.25 (210 - 438)	2.969 (75.4)	4.188 (106.4)	6.4 (2.9)
	28	11.4 (290)	10.3 (262)	13.75 - 19.75 (349 - 502)	3.469 (88.1)	4.688 (119.1)	8.1 (3.7)
GB/SB GDU/SDU Stainless Steel Weight Factor 2.0	16	11.0 (279)	10.1 (257)	3.75 - 10.25 (95 - 260)	1.969 (50.1)	3.063 (77.8)	3.6 (1.6)
	20	11.7 (297)	10.7 (272)	5.75 - 14.25 (146 - 362)	2.469 (62.7)	3.563 (90.5)	4.9 (2.2)
	24	12.1 (307)	11.1 (282)	8.25 - 17.25 (210 - 438)	2.969 (75.4)	4.188 (106.4)	6.7 (3.0)
	28	12.4 (315)	11.3 (287)	13.75 - 19.75 (349 - 502)	3.469 (88.1)	4.688 (119.1)	8.6 (3.9)

1. Weights provided for Victory Series (aluminum) with mechanical clamp configuration. Multiply by "Stainless Steel Weight Factor" to determine weight for Millennium Series (stainless steel).





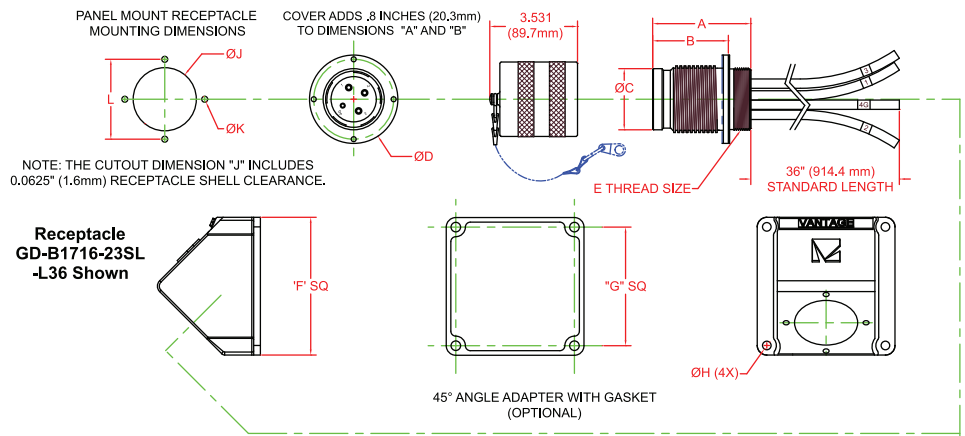
XP STARLINE DIMENSIONS

PANEL MOUNT RECEPTACLE

MOUNTING DIMENSIONS						
SHELL SIZE	F INCHES (MM)	G INCHES (MM)	H INCHES (MM)	J INCHES (MM)	K INCHES (MM)	L INCHES (MM)
16	4.5 (114.3)	3.875 (98.4)	0.284 (7.2)	2.063 (52.4)	0.195 (5.0)	2.610 (66.3)
20	4.5 (114.3)	3.875 (98.4)	0.284 (7.2)	2.563 (65.1)	0.195 (5.0)	3.110 (79.0)
24	8 (203.2)	7 (177.8)	0.534 (13.6)	3.063 (77.8)	0.195 (5.0)	3.735 (94.9)
28	8 (203.2)	7 (177.8)	0.534 (13.6)	3.563 (90.5)	0.195 (5.0)	4.235 (107.6)

	SHELL SIZE	A INCHES ¹ (MM)	B INCHES ¹ (MM)	C INCHES (MM)	D INCHES (MM)	THREAD 'E' G-16UN	WEIGHT ² LBS (KG)
AF/SF GD/SD BM Stainless Steel Weight Factor 2.0	16	4.063 (103.2)	3.063 (77.8)	1.969 (50.0)	3.063 (77.8)	2	3 (1.4)
	20	4.063 (103.2)	3.063 (77.8)	2.469 (62.7)	3.563 (90.5)	2 ½	4 (1.8)
	24	4.063 (103.2)	3.063 (77.8)	2.969 (75.4)	4.188 (106.4)	3 1/8	8 (3.6)
	28	4.063 (103.2)	3.063 (77.8)	3.469 (88.1)	4.688 (119.1)	3 5/8	13 (5.9)
GB/SB GDU/SDU Stainless Steel Weight Factor 2.0	16	5.063 (128.6)	4.063 (103.2)	1.969 (50.0)	3.063 (77.8)	2	3 (1.4)
	20	5.063 (128.6)	4.063 (103.2)	2.469 (62.7)	3.563 (90.5)	2 ½	5 (2.3)
	24	5.063 (128.6)	4.063 (103.2)	2.969 (75.4)	4.188 (106.4)	3 1/8	8 (3.6)
	28	5.063 (128.6)	4.063 (103.2)	3.469 (88.1)	4.688 (119.1)	3 5/8	14 (6.4)

1. Subtract 0.5 inches (12.7mm) from dimensions A and B for AF/SF style.
2. Weights provided for Victory Series (aluminum). Multiply by "Stainless Steel Weight Factor" to determine weight for Millennium Series (stainless steel).



ANGLE ADAPTER WITH GASKET	
CATALOG NUMBER	SHELL SIZE
VT-AF10-2516-12A	16
VT-AF10-2520-12A	20
VT-AF10-2524-12A	24
VT-AF10-2528-12A	28



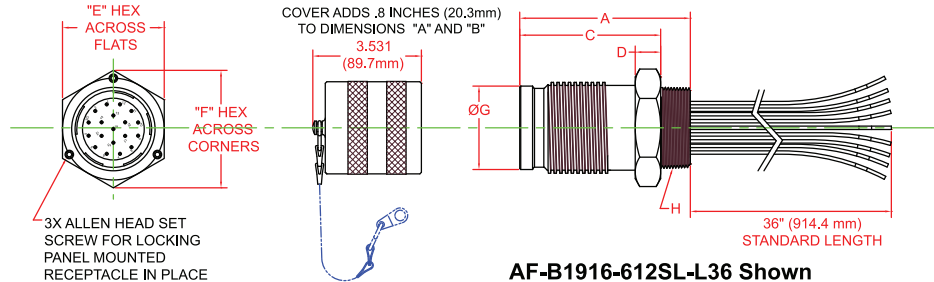
XP STARLINE DIMENSIONS

NPT MOUNT RECEPTACLE

MOUNTING DIMENSIONS						
SHELL SIZE	F INCHES (MM)	G INCHES (MM)	H INCHES (MM)	J INCHES (MM)	K INCHES (MM)	L INCHES (MM)
16	4.5 (114.3)	3.875 (98.4)	0.284 (7.2)	2.063 (52.4)	0.195 (5.0)	2.610 (66.3)
20	4.5 (114.3)	3.875 (98.4)	0.284 (7.2)	2.563 (65.1)	0.195 (5.0)	3.110 (79.0)
24	8 (203.2)	7 (177.8)	0.534 (13.6)	3.063 (77.8)	0.195 (5.0)	3.735 (94.9)
28	8 (203.2)	7 (177.8)	0.534 (13.6)	3.563 (90.5)	0.195 (5.0)	4.235 (107.6)

	SHELL SIZE	M INCHES (MM)	N INCHES (MM)	P INCHES' (MM)	Q INCHES' (MM)	NPT THREAD 'R'	S INCHES (MM)	WEIGHT LBS ² (KG)
AF/SF GD/SD BM Stainless Steel Weight Factor 2.0	16	2.5 (63.5)	2.875 (73.0)	4.5 (114.3)	3.656 (92.9)	1 ½ - 11 ½	1.969 (50.0)	3 (1.4)
	20	3 (76.2)	3.469 (88.1)	4.531 (115.1)	3.656 (92.9)	2 - 11 ½	2.469 (62.7)	5 (2.3)
	24	3.5 (88.9)	4.031 (102.4)	4.906 (124.6)	3.656 (92.9)	2 ½ - 8	2.969 (75.4)	8 (3.6)
	28	4 (101.6)	4.625 (117.5)	4.969 (126.2)	3.656 (92.9)	3 - 8	3.469 (88.1)	13 (5.9)
GB/SB GDU/SDU Stainless Steel Weight Factor 2.0	16	2.5 (63.5)	2.875 (73.0)	5 (127.0)	4.156 (105.6)	1 ½ - 11 ½	1.969 (50.0)	3 (1.4)
	20	3 (76.2)	3.469 (88.1)	5.031 (127.8)	4.156 (105.6)	2 - 11 ½	2.469 (62.7)	5 (2.3)
	24	3.5 (88.9)	4.031 (102.4)	5.406 (137.3)	4.156 (105.6)	2 ½ - 8	2.969 (75.4)	9 (4.1)
	28	4 (101.6)	4.625 (117.5)	5.469 (138.9)	4.156 (105.6)	3 - 8	3.469 (88.1)	14 (6.4)

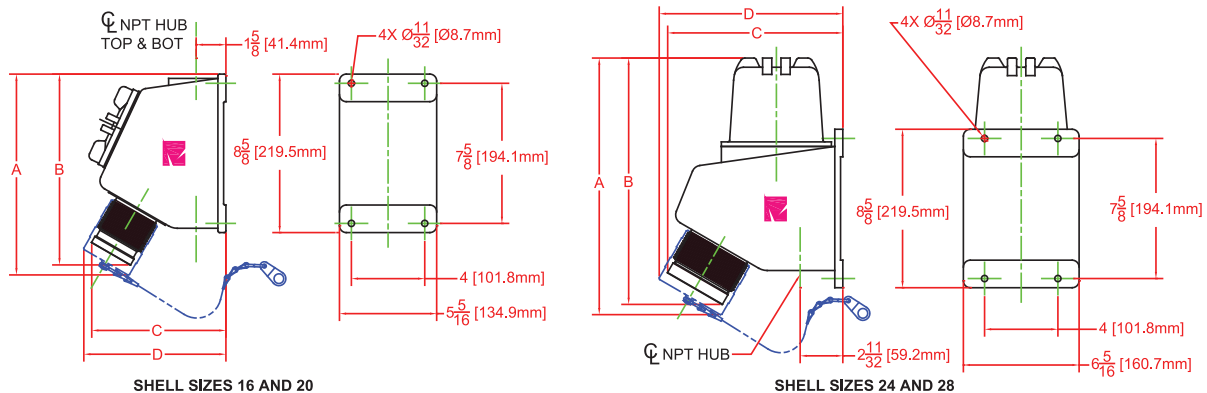
1. Subtract 0.5 inches (12.7mm) from dimensions P and Q for AF/SF style.
2. Weights provided for Victory Series (aluminum). Multiply by "Stainless Steel Weight Factor" to determine weight for Millennium Series (stainless steel).



JUNCTION BOX RECEPTACLE

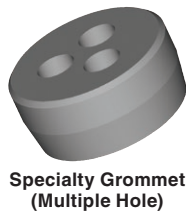
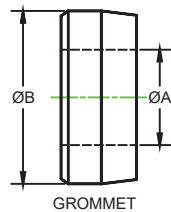
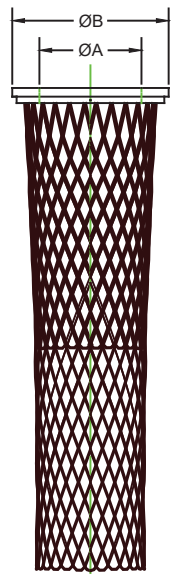
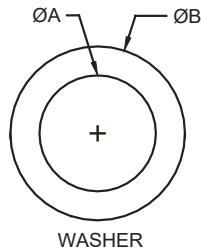
	SHELL SIZE	A INCHES (MM)	B INCHES (MM)	C INCHES (MM)	D INCHES (MM)	WEIGHT LBS ¹ (KG)
AF/SF GD/SD BM Stainless Steel Weight Factor 2.0	16	10.063 (255.6)	10.25 (260.4)	7.375 (187.3)	7.75 (196.9)	12.9 (5.9)
	20	10.063 (255.6)	10.25 (260.4)	7.375 (187.3)	7.75 (196.9)	13.7 (6.2)
	24	14.563 (370.0)	14 (355.6)	9.688 (246.1)	10.125 (257.2)	21.9 (9.9)
	28	14.563 (370.0)	14 (355.6)	9.688 (246.1)	10.125 (257.2)	22.8 (10.3)
GB/SB GDU/SDU Stainless Steel Weight Factor 2.0	16	11.563 (293.7)	11.125 (282.6)	7.875 (200.0)	8.25 (209.6)	13.0 (5.9)
	20	11.563 (293.7)	11.125 (282.6)	7.875 (200.0)	8.25 (209.6)	13.9 (6.3)
	24	15.438 (392.1)	14.875 (377.8)	10.188 (258.8)	10.625 (269.9)	22.5 (10.2)
	28	15.438 (392.1)	14.875 (377.8)	10.188 (258.8)	10.625 (269.9)	23.2 (10.5)

1. Weights provided for Victory Series (aluminum). Multiply by "Stainless Steel Weight Factor" to determine weight for Millennium Series (stainless steel).





XP STARLINE ENVIRONMENTAL SEALING



SHELL SIZE DIM B INCHES (MM)	CABLE DIAMETER DIMENSION A INCHES (MM)		CABLE DIAMETER CODE NUMBER*	GROMMET PART NUMBER	WASHER PART NUMBER	BASKET WEAVE GRIP PART NUMBER
	MIN.	MAX.				
16 1 23/32 (43.7)	.250 (6.35)	.375 (9.53)	06	VT-6316-6C	VT-8016-8E	VT-5016-6E VT-5016-8E
	.375 (9.53)	.500 (12.7)	08	VT-6316-8C		
	.500 (12.7)	.625 (15.9)	10	VT-6316-10C	VT-8016-12E	VT-5016-10E VT-5016-12E
	.625 (15.9)	.750 (19.1)	12	VT-6316-12C		
	.750 (19.1)	.875 (22.2)	14	VT-6316-14C	VT-8016-16E	VT-5016-14E VT-5016-16E
	.875 (22.2)	1.000 (25.4)	16	VT-6316-16C		
20 2 7/32 (56.4)	1.000 (25.4)	1.125 (28.6)	18	VT-6316-18C	VT-8016-20E	VT-5016-18E VT-5016-20E
	1.125 (28.6)	1.250 (31.8)	20	VT-6316-20C		
	1.250 (31.8)	1.375 (34.9)	22	VT-6316-22C	VT-8016-23E	VT-5016-22E VT-5016-23E
	1.375 (34.9)	1.437 (36.5)	23	VT-6316-23C		
	.500 (12.7)	.625 (15.9)	10	VT-6320-10C	VT-8020-12E	VT-5020-10E VT-5020-12E
	.625 (15.9)	.750 (19.1)	12	VT-6320-12C		
24 2 23/32 (69.1)	.750 (19.1)	.875 (22.2)	14	VT-6320-14C	VT-8020-16E	VT-5020-14E VT-5020-16E
	.875 (22.2)	1.000 (25.4)	16	VT-6320-16C		
	1.000 (25.4)	1.125 (28.6)	18	VT-6320-18C	VT-8020-20E	VT-5020-18E VT-5020-20E
	1.125 (28.6)	1.250 (31.8)	20	VT-6320-20C		
	1.250 (31.8)	1.375 (34.9)	22	VT-6320-22C	VT-8020-24E	VT-5020-22E VT-5020-24E
	1.375 (34.9)	1.500 (38.1)	24	VT-6320-24C		
28 3 5/32 (80.2)	1.500 (38.1)	1.625 (41.3)	26	VT-6320-26C	VT-8020-28E	VT-5020-26E VT-5020-28E
	1.625 (41.3)	1.750 (44.5)	28	VT-6320-28C		
	1.750 (44.5)	1.875 (47.6)	30	VT-6320-30C	VT-8020-31E	VT-5020-30E VT-5020-31E
	1.875 (47.6)	1.937 (49.2)	31	VT-6320-31C		
	1.875 (47.6)	2.000 (50.8)	32	VT-6324-30C	VT-8024-16E	VT-5024-16E
	2.000 (50.8)	2.125 (54.0)	34	VT-6324-34C		
24 2 23/32 (69.1)	2.125 (54.0)	2.250 (57.2)	36	VT-6324-36C	VT-8024-20E	VT-5024-18E VT-5024-20E
	2.250 (57.2)	2.375 (60.3)	38	VT-6324-38C		
	2.375 (60.3)	2.437 (61.9)	39	VT-6324-39C	VT-8024-24E	VT-5024-22E VT-5024-24E
	1.250 (31.8)	1.375 (34.9)	22	VT-6324-22C		
	1.375 (34.9)	1.500 (38.1)	24	VT-6324-24C	VT-8024-28E	VT-5024-26E VT-5024-28E
	1.500 (38.1)	1.625 (41.3)	26	VT-6324-26C		
28 3 5/32 (80.2)	1.625 (41.3)	1.750 (44.5)	28	VT-6324-28C	VT-8024-32E	VT-5024-30E VT-5024-32E
	1.750 (44.5)	1.875 (47.6)	30	VT-6324-30C		
	1.875 (47.6)	2.000 (50.8)	32	VT-6324-32C	VT-8024-36E	VT-5024-34E VT-5024-36E
	2.000 (50.8)	2.125 (54.0)	34	VT-6324-34C		
	2.125 (54.0)	2.250 (57.2)	36	VT-6324-36C	VT-8024-39E	VT-5024-38E VT-5024-39E
	2.250 (57.2)	2.375 (60.3)	38	VT-6328-38C		
28 3 5/32 (80.2)	2.375 (60.3)	2.500 (63.5)	40	VT-6328-40C	VT-8028-24E	VT-5028-24E
	2.500 (63.5)	2.625 (66.7)	42	VT-6328-42C		
	2.625 (66.7)	2.750 (68.9)	44	VT-6328-44C	VT-8028-28E	VT-5028-26E VT-5028-28E
	2.750 (68.9)	2.875 (73.0)	46	VT-6328-46C		
	1.750 (44.5)	1.875 (47.6)	30	VT-6328-30C	VT-8028-32E	VT-5028-30E VT-5028-32E
	1.875 (47.6)	2.000 (50.8)	32	VT-6328-32C		
2.000 (50.8)	2.125 (54.0)	34	VT-6328-34C	VT-8028-40E	VT-5028-38E VT-5028-40E	
2.125 (54.0)	2.250 (57.2)	36	VT-6328-36C			
2.250 (57.2)	2.375 (60.3)	38	VT-6328-38C	VT-8028-44E	VT-5028-42E VT-5028-44E	
2.375 (60.3)	2.500 (63.5)	40	VT-6328-40C			
2.500 (63.5)	2.625 (66.7)	42	VT-6328-42C	VT-8028-46E	VT-5028-46E	
2.625 (66.7)	2.750 (68.9)	44	VT-6328-44C			
2.750 (68.9)	2.875 (73.0)	46	VT-6328-46C			



CONNECTIVITY

EXPLOSIONPROOF STARLINE

TOOLING

Vantage offers a full line of tooling to assist in the termination and assembly of our attachment plugs and receptacles. The StarLine power connectors feature pressure termination and come with all required tooling. For StarLine control connectors, the AF/SF Series, installation requires using a full-cycle eight indent crimp tool. Please contact us for assistance in specifying your tooling needs.

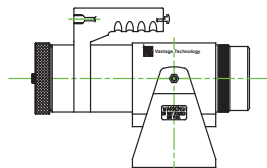
Crimp Tools



Pressure Termination for safe and reliable assembly in the field.



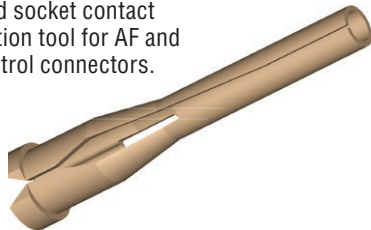
T-104-CT-K Crimp Tool Kit. Hand tool with accessories for contacts #18 through #10 (carrying case and tool inspection gage not shown).



T-105-HE, Pneumatic Crimp Tool. Available with dies, locators and inspection gages for #18 through #4/0 contacts. A foot control is also available. Operates on shop air and inert gas cylinders at 100 PSI.

Contact Extraction Tool

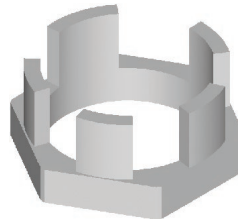
Pin and socket contact extraction tool for AF and SF control connectors.



CONTACT SIZE	EXTRACTION TOOL PART NUMBER
18	T-106-18
16	T-106-16
12	T-106-12
10	T-106-10

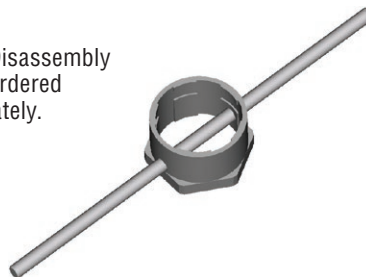
Assembly Tools

Plug Assembly Tool Furnished with plug.



SHELL SIZE	PART NUMBER	
	PLUG ASSEMBLY TOOL	PLUG DISASSEMBLY TOOL
16	T-101-16A	T-102-16R
20	T-101-20A	T-102-20R
24	T-101-24A	T-102-24R
28	T-101-28A	T-102-28R

Plug Disassembly Tool Ordered separately.



Cable Assemblies



Complete cable assemblies and receptacle distribution boxes are available incorporating Vantage Technology connectors. Please contact us regarding specification options.



XP STARLINE INSERT AND CONTACT FEATURES

Inserts

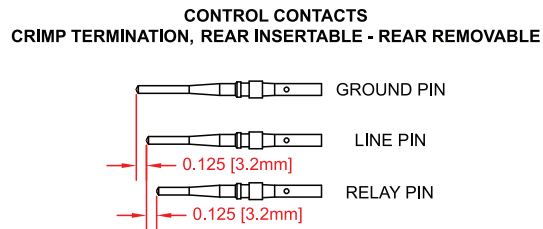
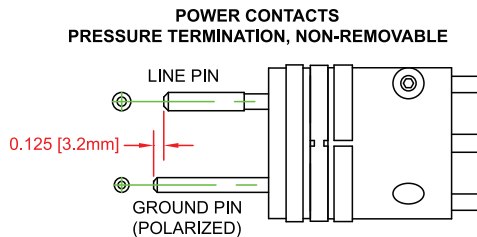
Vantage inserts come in power (30 thru 260A) and control (10 thru 100 contacts) versions. Within these power and control versions many options are available. See depictions of inserts for electrical ratings, certifications and available key positions. Inserts are designed for simplified field termination. Power inserts feature captive contacts that utilize pressure termination. Control inserts utilize crimp contacts that are rear insertable, rear removable. Consult factory for replacements.

Grounding

Power inserts feature ground contacts which provide shell grounding, polarization, and make-first, break last function. Many control inserts feature ground contacts which provide shell grounding and make-first, break last function.

Relay Circuits

Some inserts are available with a pair of relay contacts that are shorter than all other contacts to provide a time delay during breaking and making.



Plating Options

Control contacts come standard with silver plating. Gold plating is available for added corrosion resistance. The following plating options are available.

SYMBOL	FINISH
L	Silver
K	Gold over Silver
D	Gold over Nickel

Ferrules

Ferrules are designed to serve as a compression supporting member when an undersized wire is crimp terminated into a larger contact. Ferrules are gold plated.



PART NUMBER	CONTACT SIZE AWG (MM ²) PIN OR SOCKET		
	10 (6)	12 (4)	16 (1.5)
VT-70065-1012K	12		
VT-70065-1014K	14		
VT-70065-1016K	16		
VT-70065-1216K		16	
VT-70065-1218K		18	
VT-70065-1220K		20	
VT-70065-1620K			20
VT-70065-1622K			22

Example: To transition From #12 contact to #20 wire, use V-70065-1220K.

Thermocouple Contacts

AF / SF inserts with 16 AWG contacts can be ordered with thermocouple contacts.

Termination Information

All inserts are designed for simplified field termination. Control inserts require the use of Vantage crimp tools for safe and reliable circuits.

PART NUMBER/ GENDER	ISA SYMBOL	THERMOCOUPLE MATERIAL	ISA COLOR CODING			TEMPERATURE RANGE	
			(+)	(-)	JACKET	DEGREES CONTINUOUS	SHORT TIME
VT-4016-50MF / PIN	J	Iron (Magnetic)	White	Red	Black	0-1100° C	to 1100° C
VT-4116-50MF / SOCKET	J						
VT-4016-50NF / PIN	J	Constantan (Non-Magnetic)	Yellow	Red	Yellow	0-1100° C	to 1350° C
VT-4116-50NF / SOCKET	J						
VT-4016-50PO / PIN	K	Chromel (Non-Magnetic)	Yellow	Red	Yellow	0-1100° C	to 1350° C
VT-4116-50PO / SOCKET	K						
VT-4016-50RO / PIN	K	Alumel (Magnetic)	Yellow	Red	Yellow	0-1100° C	to 1350° C
VT-4116-50RO / SOCKET	K						



XP STARLINE INSERT CONFIGURATIONS

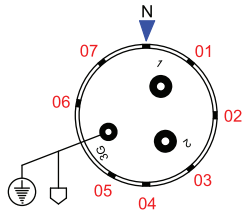
The **Vantage Inserts** presented in this section illustrate the contact configurations available in the StarLine series. Most inserts are available in alternate key positions to prevent the intermating of like configurations in your system. Power inserts (GD/SD) are designed with oversized contacts to maximize cooling. Wire size indicates maximize wire gauge that can be terminated to contact.

3 CONTACTS

Insert Reference

Pins: GD-16-51PL

Sockets: GD-16-51SL



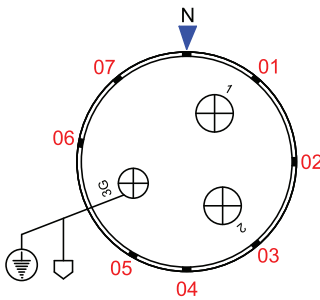
	CONTACT QUANTITY	CONTACT AWG (MM ²)	WIRE AWG (MM ²)	SHELL SIZE
	3	4 (25)	8 (10)	16
	1000 VAC 50/60/400Hz Non-Circuit Breaking	32 AMP	KEY	
			POSITION	
	600 VAC 60/400Hz Circuit Breaking	30 AMP	N	0°
			01	40°
	480 VAC 60/400Hz Circuit Breaking	30 AMP	02	90°
			03	140°
			04	180°
			05	210°
			06	280°
			07	320°

3 CONTACTS

Insert Reference

Pins: GD-20-61PL

Sockets: GD-20-61SL



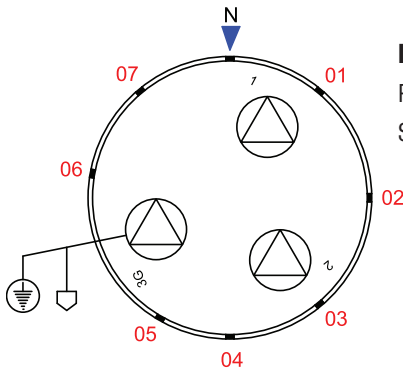
	CONTACT QUANTITY	CONTACT AWG (MM ²)	WIRE AWG (MM ²)	SHELL SIZE
	3	1/0 (55)	4 (25)	20
	1000 VAC 50/60/400Hz Non-Circuit Breaking	63 AMP	KEY	
			POSITION	
	600 VAC 60/400Hz Circuit Breaking	60 AMP	N	0°
			01	40°
	480 VAC 60/400Hz Circuit Breaking	60 AMP	02	90°
			03	140°
			04	180°
			05	210°
			06	280°
			07	320°

3 CONTACTS

Insert Reference

Pins: GD-24-60PL

Sockets: GD-24-60SL



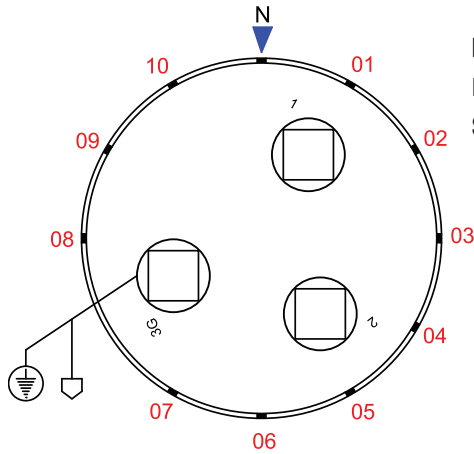
	CONTACT QUANTITY	CONTACT AWG (MM ²)	WIRE AWG (MM ²)	SHELL SIZE
	3	4/0 (120)	1/0 (55)	24
	1000 VAC 50/60/400Hz Non-Circuit Breaking	125 AMP	KEY	
			POSITION	
	600 VAC 60/400Hz Circuit Breaking	100 AMP	N	0°
			01	40°
	480 VAC 60/400Hz Circuit Breaking	100 AMP	02	90°
			03	140°
			04	180°
			05	210°
			06	280°
			07	320°

View Shown: Male insert (pins) from front of connector. The female insert (sockets) view is mirrored.

Symbol: Contact grounded to connector shell. Ground pins are longer to make first - break last.	CONTACT SYMBOLS	CONTACT SYMBOLS										
		CONTACT SIZE	AWG	mm ²	18	16	12	10	8	4	1/0	4/0
CRIMP	WIRE SIZE	AWG	18	16	12	10	8	4	1/0	4/0	350 MCM	
		mm ²	0.75	1.5	4	6	10	25	55	120	185	
		AWG	18	16	12	10	8	8	4	1/0	4/0	
		mm ²	0.75	1.5	4	6	10	10	25	55	120	



XP STARLINE INSERT CONFIGURATIONS



Insert Reference

Pins: GD-28-30PL

Sockets: GD-28-30SL

3 CONTACTS

CONTACT QUANTITY	CONTACT AWG (MM ²)	WIRE AWG (MM ²)	SHELL SIZE
3	350 MCM (185)	4/0 (120)	28

KEY	POSITION
N	0°
01	40°
02	90°
03	140°
04	180°
05	210°
06	280°
07	320°
08	270°
09	300°
10	330°



1000 VAC 50/60/400Hz
Non-Circuit Breaking

260 AMP



600 VAC 60/400Hz
Circuit Breaking

200 AMP



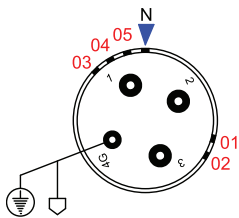
480 VAC 60/400Hz
Circuit Breaking

200 AMP

Insert Reference

Pins: GD-16-23PL

Sockets: GD-16-23SL



4 CONTACTS

CONTACT QUANTITY	CONTACT AWG (MM ²)	WIRE AWG (MM ²)	SHELL SIZE
4	4 (25)	8 (10)	16

KEY	POSITION
N	0°
01	105°
02	120°
03	315°
04	330°
05	345°



1000 VAC 50/60/400Hz
Non-Circuit Breaking

32 AMP



600 VAC 60/400Hz
Circuit Breaking

30 AMP



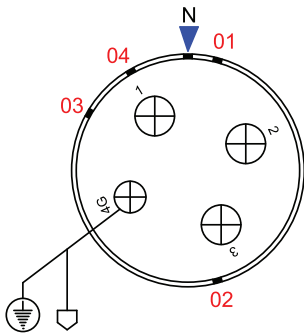
480 VAC 60/400Hz
Circuit Breaking

30 AMP

Insert Reference

Pins: GD-20-40PL

Sockets: GD-20-40SL



4 CONTACTS

CONTACT QUANTITY	CONTACT AWG (MM ²)	WIRE AWG (MM ²)	SHELL SIZE
4	1/0 (55)	4 (25)	20

KEY	POSITION
N	0°
01	15°
02	165°
03	300°
04	330°



1000 VAC 50/60/400Hz
Non-Circuit Breaking

63 AMP



600 VAC 60/400Hz
Circuit Breaking

60 AMP



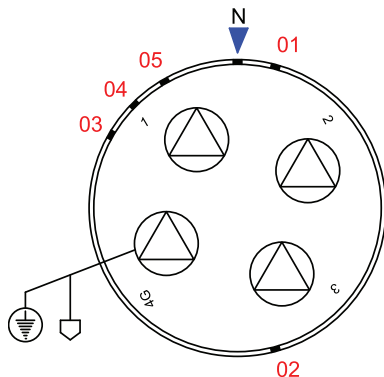
480 VAC 60/400Hz
Circuit Breaking

60 AMP

Insert Reference

Pins: GD-24-39PL

Sockets: GD-24-39SL



4 CONTACTS

CONTACT QUANTITY	CONTACT AWG (MM ²)	WIRE AWG (MM ²)	SHELL SIZE
4	4/0 (120)	1/0 (55)	24

KEY	POSITION
N	0°
01	15°
02	165°
03	300°
04	315°
05	330°



1000 VAC 50/60/400Hz
Non-Circuit Breaking

125 AMP



600 VAC 60/400Hz
Circuit Breaking

100 AMP

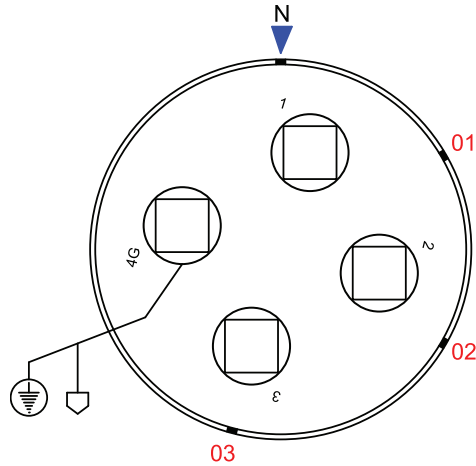


480 VAC 60/400Hz
Circuit Breaking

100 AMP



XP STARLINE INSERT CONFIGURATIONS



Insert Reference

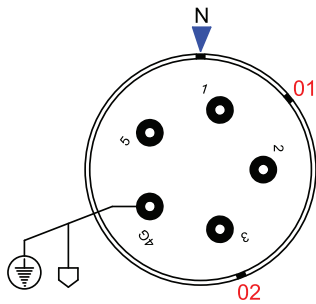
Pins: GDU-28-31PL
Sockets: GDU-28-31SL

4 CONTACTS

CONTACT QUANTITY	CONTACT AWG (MM ²)	WIRE AWG (MM ²)	SHELL SIZE
4	350 MCM (185)	4/0 (120)	28

KEY	POSITION
N	0°
01	60°
02	120°
03	195°

	1000 VAC 50/60/400Hz Non-Circuit Breaking	260 AMP
	600 VAC 60/400Hz Circuit Breaking	200 AMP
	480 VAC 60/400Hz Circuit Breaking	200 AMP



Insert Reference

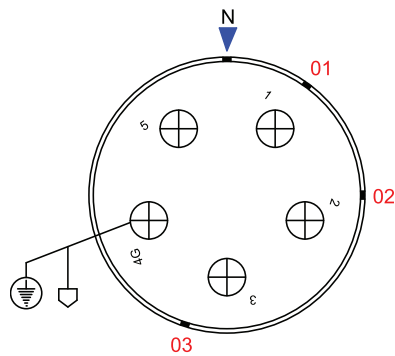
Pins: GD-20-36PL
Sockets: GD-20-36SL

5 CONTACTS

CONTACT QUANTITY	CONTACT AWG (MM ²)	WIRE AWG (MM ²)	SHELL SIZE
5	4 (25)	8 (10)	20

KEY	POSITION
N	0°
01	51°
02	159°

	1000 VAC 50/60/400Hz Non-Circuit Breaking	32 AMP
	600 VAC 60/400Hz Circuit Breaking	30 AMP
	480 VAC 60/400Hz Circuit Breaking	30 AMP



Insert Reference

Pins: GD-24-29PL
Sockets: GD-24-29SL

5 CONTACTS

CONTACT QUANTITY	CONTACT AWG (MM ²)	WIRE AWG (MM ²)	SHELL SIZE
5	1/0 (55)	4 (25)	24

KEY	POSITION
N	0°
01	36°
02	90°
03	198°

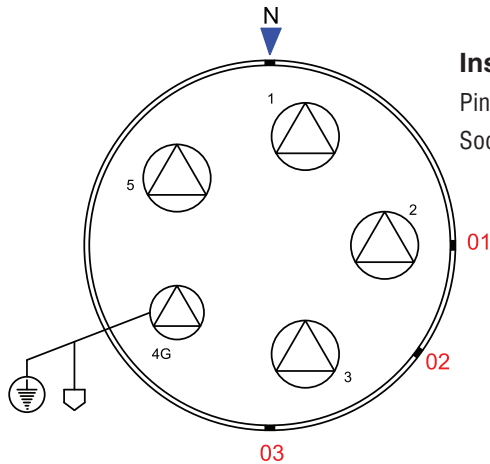
	1000 VAC 50/60/400Hz Non-Circuit Breaking	63 AMP
	600 VAC 60/400Hz Circuit Breaking	60 AMP
	480 VAC 60/400Hz Circuit Breaking	60 AMP

View Shown: Male insert (pins) from front of connector. The female insert (sockets) view is mirrored.

Symbol: Contact grounded to connector shell. Ground pins are longer to make first - break last.	CONTACT SYMBOLS										
		CONTACT SIZE	AWG	18	16	12	10	8	4	1/0	4/0
PRESSURE CRIMP 	AWG	18	16	12	10	8	4	1/0	4/0	350 MCM	
	mm ²	0.75	1.5	4	6	10	25	55	120	185	
	WIRE SIZE	AWG	18	16	12	10	8	8	4	1/0	4/0
	mm ²	0.75	1.5	4	6	10	10	25	55	120	



XP STARLINE INSERT CONFIGURATIONS



Insert Reference

Pins: GD-28-23PL

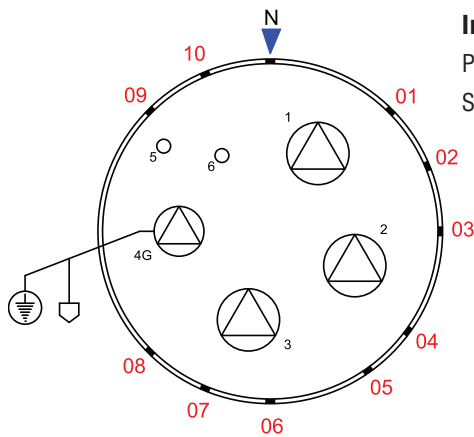
Sockets: GD-28-23SL

5 CONTACTS

CONTACT QUANTITY	CONTACT AWG (MM ²)	WIRE AWG (MM ²)	SHELL SIZE
5	4/0 (120)	1/0 (55)	28

KEY	POSITION
N	0°
01	90°
02	126°
03	180°

	1000 VAC 50/60/400Hz Non-Circuit Breaking	125 AMP
	600 VAC 60/400Hz Circuit Breaking	100 AMP
	480 VAC 60/400Hz Circuit Breaking	100 AMP



Insert Reference

Pins: GD-28-42PL

Sockets: GD-28-42SL

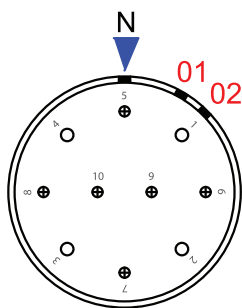
6 CONTACTS

CONTACT QUANTITY	CONTACT AWG (MM ²)	WIRE AWG (MM ²)	SHELL SIZE
4 2	4/0 (120) 10 (6)	4/0 (120) 10 (6)	28

KEY	POSITION
N	0°
01	45°
02	67.5°
03	90°
04	126°
05	145°
06	180°
07	202.5°
08	225°
09	315°
10	337.5°

	1000 VAC 50/60/400Hz Non-Circuit Breaking	260 AMP
	600 VAC 60/400Hz Circuit Breaking	200 AMP
	480 VAC 60/400Hz Circuit Breaking	200 AMP

NOTE: Relay pins 5 & 6 are shorter to make last / break first



Insert Reference

Pins: VT-16-681PL

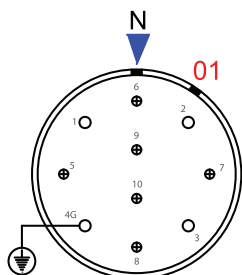
Sockets: VT-16-681SL

10 CONTACTS

CONTACT QUANTITY	CONTACT AWG (MM ²)	SHELL SIZE
6 4	12 (4.0) 10 (6.0)	16

KEY	POSITION
N	0°
01	30°
02	45°

	250 VAC 50/60/400Hz 125 VDC Non-Circuit Breaking	20/30 AMP
	250 VAC 60Hz Circuit Breaking	10 AMP



Insert Reference

Pins: VT-16-676PL

Sockets: VT-16-676SL

10 CONTACTS

CONTACT QUANTITY	CONTACT AWG (MM ²)	SHELL SIZE
6 4	12 (4.0) 10 (6.0)	16

KEY	POSITION
N	0°
01	35°

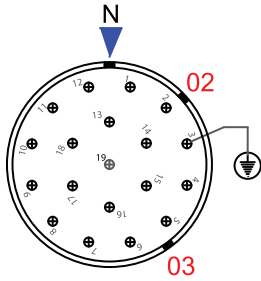
	250 VAC 50/60/400Hz 125 VDC Non-Circuit Breaking	20/30 AMP
	250 VAC 60Hz Circuit Breaking	10 AMP



CONNECTIVITY

EXPLOSIONPROOF STARLINE

XP STARLINE INSERT CONFIGURATIONS



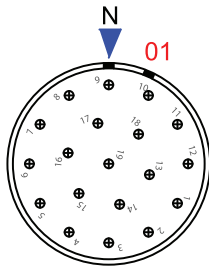
Insert Reference

Pins: VT-16-612PL

Sockets: VT-16-612SL

19 CONTACTS

CONTACT QUANTITY		CONTACT AWG (MM ²)	SHELL SIZE	
19		12 (4)	16	
	250 VAC 50/60/400Hz 125 VDC Non-Circuit Breaking	20 AMP	KEY	POSITION
			N	0°
	250 VAC 60Hz Circuit Breaking	10 AMP	02	48°
			03	144°



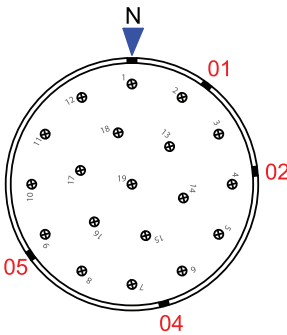
Insert Reference

Pins: VT-16-677PL

Sockets: VT-16-677SL

19 CONTACTS

CONTACT QUANTITY		CONTACT AWG (MM ²)	SHELL SIZE	
19		12 (4)	16	
	250 VAC 50/60/400Hz 125 VDC Non-Circuit Breaking	20 AMP	KEY	POSITION
			N	0°
	250 VAC 60Hz Circuit Breaking	10 AMP	01	24°



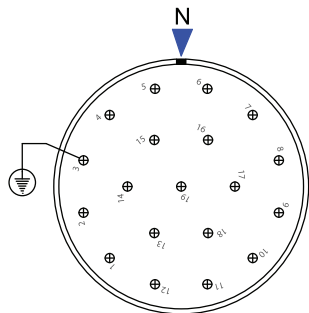
Insert Reference

Pins: VT-20-676PL

Sockets: VT-20-676SL

19 CONTACTS

CONTACT QUANTITY		CONTACT AWG (MM ²)	SHELL SIZE	
19		12 (4)	20	
	250 VAC 50/60/400Hz 125 VDC Non-Circuit Breaking	20 AMP	KEY	POSITION
			N	0°
	480 VAC Non-Circuit Breaking 250 VAC Circuit Breaking 60Hz	10 AMP	01	37°
			02	84°
			04	165°
			05	235°



Insert Reference

Pins: VT-20-688PL

Sockets: VT-20-688SL

19 CONTACTS

CONTACT QUANTITY		CONTACT AWG (MM ²)	SHELL SIZE	
19		12 (4)	20	
	250 VAC 50/60/400Hz 125 VDC Non-Circuit Breaking	20 AMP	KEY	POSITION
			N	0°
	480 VAC Non-Circuit Breaking 250 VAC Circuit Breaking 60Hz	10 AMP		

View Shown: Male insert (pins) from front of connector. The female insert (sockets) view is mirrored.

Symbol: Contact grounded to connector shell. Ground pins are longer to make first - break last.	PRESSURE	CONTACT SYMBOLS	○	●	⊕	○	⊙	●	⊕	△	□	
	CRIMP		CONTACT SIZE	AWG	18	16	12	10	8	4	1/0	350 MCM
			mm ²	0.75	1.5	4	6	10	25	55	120	185
			WIRE SIZE	AWG	18	16	12	10	8	8	4	1/0
		mm ²	0.75	1.5	4	6	10	10	10	25	55	120



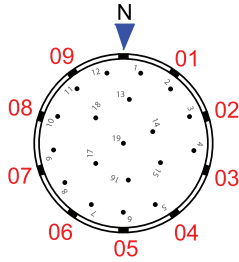
XP STARLINE INSERT CONFIGURATIONS

19 CONTACTS

Insert Reference

Pins: VT-16-655PL

Sockets: VT-16-655SL



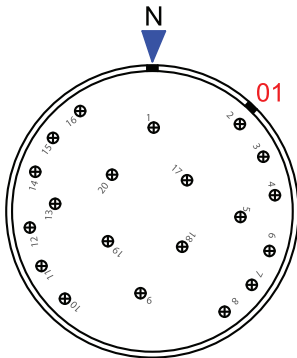
CONTACT QUANTITY		CONTACT AWG (MM ²)	SHELL SIZE	
19		16 (1.5)	16	
	250 VAC 50/60/400Hz 125 VDC Non-Circuit Breaking	15 AMP	KEY	POSITION
			N	0°
	250 VAC 60Hz Circuit Breaking	6.5 AMP	01	36°
			02	72°
			03	108°
			04	144°
			05	180°
			06	216°
			07	252°
			08	288°
09	324°			

20 CONTACTS

Insert Reference

Pins: VT-20-632PL

Sockets: VT-16-632SL



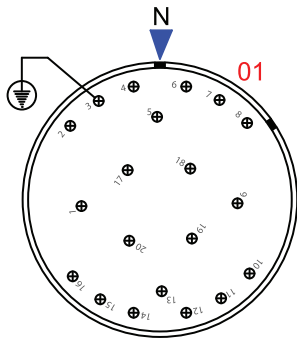
CONTACT QUANTITY		CONTACT AWG (MM ²)	SHELL SIZE	
20		12 (4)	20	
	250 VAC 50/60/400Hz 125 VDC Non-Circuit Breaking	20 AMP	KEY	POSITION
			N	0°
	250 VAC 60Hz Circuit Breaking	10 AMP	01	42.5°

20 CONTACTS

Insert Reference

Pins: VT-20-687PL

Sockets: VT-20-687SL



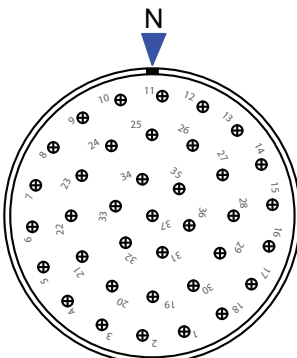
CONTACT QUANTITY		CONTACT AWG (MM ²)	SHELL SIZE	
19		12 (4)	20	
	250 VAC 50/60/400Hz 125 VDC Non-Circuit Breaking	20 AMP	KEY	POSITION
			N	0°
	250 VAC 60Hz Circuit Breaking	10 AMP	01	56°

37 CONTACTS

Insert Reference

Pins: VT-20-686PL

Sockets: VT-20-686SL



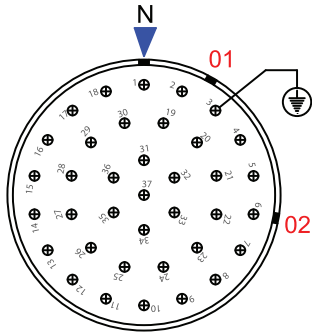
CONTACT QUANTITY		CONTACT AWG (MM ²)	SHELL SIZE	
37		12 (4)	20	
	250 VAC 50/60/400Hz 125 VDC Non-Circuit Breaking	20 AMP	KEY	POSITION
			N	0°
	250 VAC 60Hz Circuit Breaking	10 AMP		



CONNECTIVITY

EXPLOSIONPROOF STARLINE

XP STARLINE INSERT CONFIGURATIONS



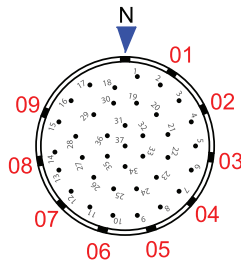
Insert Reference

Pins: VT-20-650PL

Sockets: VT-20-650SL

37 CONTACTS

CONTACT QUANTITY		CONTACT AWG (MM ²)	SHELL SIZE	
37		12 (4)	20	
	250 VAC 50/60/400Hz 125 VDC Non-Circuit Breaking	20 AMP	KEY	POSITION
	N	0°	01	30°
	250 VAC 60Hz Circuit Breaking	10 AMP	02	100°



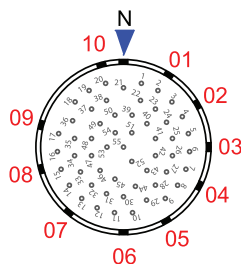
Insert Reference

Pins: VT-16-621PL

Sockets: VT-16-621SL

37 CONTACTS

CONTACT QUANTITY		CONTACT AWG (MM ²)	SHELL SIZE	
37		16 (1.5)	16	
	250 VAC 50/60/400Hz 125 VDC Non-Circuit Breaking	15 AMP	KEY	POSITION
	N	0°	01	32.5°
	250 VAC 60Hz Circuit Breaking	6.5 AMP	02	65°
			03	97.5°
			04	130°
			05	162.5°
			06	195°
			07	227.5°
			08	260°
			09	292.5°



Insert Reference

Pins: VT-16-640PL

Sockets: VT-16-640SL

55 CONTACTS

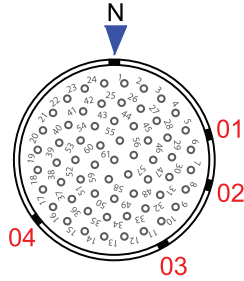
CONTACT QUANTITY		CONTACT AWG (MM ²)	SHELL SIZE	
55		18 (0.75)	16	
	250 VAC 50/60/400Hz 125 VDC Non-Circuit Breaking	10 AMP	KEY	POSITION
	N	0°	01	32°
	250 VAC 60Hz Circuit Breaking	3.5 AMP	02	60°
			03	90°
			04	117°
			05	150°
			06	180°
			07	220°
			08	255°
			09	285°
			10	345°

View Shown: Male insert (pins) from front of connector. The female insert (sockets) view is mirrored.

Symbol: Contact grounded to connector shell. Ground pins are longer to make first - break last.	 PRESSURE CRIMP	CONTACT SYMBOLS		CONTACT SYMBOLS											
		CONTACT SIZE	AWG	18	16	12	10	8	4	1/0	4/0	350 MCM			
		mm ²	0.75	1.5	4	6	10	25	55	120	185				
		WIRE SIZE	AWG	18	16	12	10	8	8	4	1/0	4/0			
		mm ²	0.75	1.5	4	6	10	10	25	55	120				



XP STARLINE INSERT CONFIGURATIONS



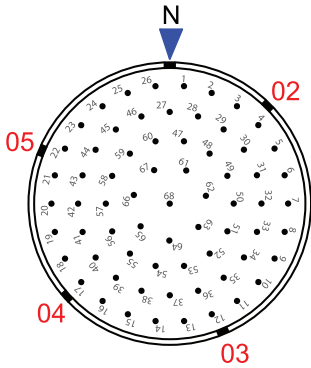
Insert Reference

Pins: VT-16-633PL

Sockets: VT-16-633SL

61 CONTACTS

CONTACT QUANTITY		CONTACT AWG (MM ²)		SHELL SIZE	
61		18 (0.75)		16	
	250 VAC 50/60/400Hz 125 VDC Non-Circuit Breaking	10 AMP		KEY	POSITION
				N	0°
	250 VAC 60Hz Circuit Breaking	3.5 AMP		01	75°
				02	105°
				03	150°
				04	232.5°



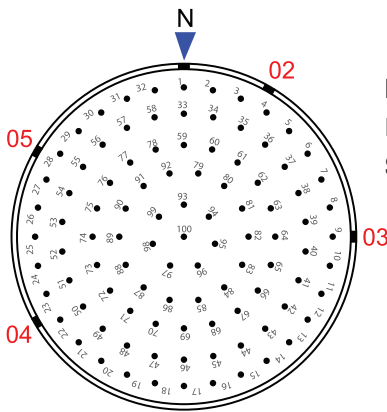
Insert Reference

Pins: VT-20-613PL

Sockets: VT-20-613SL

68 CONTACTS

CONTACT QUANTITY		CONTACT AWG (MM ²)		SHELL SIZE	
68		16 (1.5)		20	
	250 VAC 50/60/400Hz 125 VDC Non-Circuit Breaking	15 AMP		KEY	POSITION
				N	0°
	250 VAC 60Hz Circuit Breaking	6.5 AMP		02	45°
				03	157.5°
				04	228°
				05	292.5°



Insert Reference

Pins: VT-24-613PL

Sockets: VT-24-613SL

100 CONTACTS

CONTACT QUANTITY		CONTACT AWG (MM ²)		SHELL SIZE	
100		16 (1.5)		24	
	250 VAC 50/60/400Hz 125 VDC Non-Circuit Breaking	15 AMP		KEY	POSITION
				N	0°
	250 VAC 60Hz Circuit Breaking	5.0 AMP		02	30°
				03	90°
				04	240°
				05	300°

View Shown: Male insert (pins) from front of connector. The female insert (sockets) view is mirrored.

Symbol: Contact grounded to connector shell. Ground pins are longer to make first - break last.	PRESSURE CRIMP	CONTACT SYMBOLS		○	●	⊕	○	⊙	●	⊕	△	□
		CONTACT SIZE	AWG	18	16	12	10	8	4	1/0	4/0	350 MCM
			mm ²	0.75	1.5	4	6	10	25	55	120	185
WIRE SIZE	AWG	18	16	12	10	8	8	4	1/0	4/0		
	mm ²	0.75	1.5	4	6	10	10	25	55	120		



CONNECTIVITY
VERSAMATE® SERIES

EXCLUSIVE FEATURES & GROUNDING METHODS

- Exclusive “Breech-Lock” cap serves as either flip lid or screw cover

- Type 3R Rating: When receptacle cap is snapped shut
- Type 4X Rating: When receptacle cap is turned shut or with VersaMate® plug inserted and ring tightened

- Allen/Slot type box terminals provide secure clamping of conductors

- Special notch is designed to hold cap open for easy field service or plug insertion with **two** free hands

- Exclusive O-ring seals

- Custom pin design using slotted spring clip to provide superior contact and reliability

- Funneled wiring chamber design for fast and accurate conductor insertion to speed assembly. All wires can be inserted at **one time**

- Exclusive O-ring seals

- Allen/Slot type box terminals provide secure clamping of conductors

- Body style with octagonal shape for easy grip

- Exclusive neoprene “Onion Skin” peel-away type gasket for the ultimate in sealing a variety of cable sizes

- Smooth shoulder contour prevents snags and hang ups

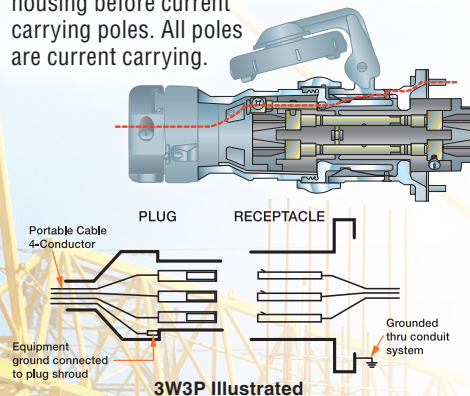
- The VersaMate® Cable clamp system captures cable with four grip points using only two tightening screws. Provides secure grip without damaging the cable insulation

Grounding:

To minimize the danger of electrical shock when utilizing portable equipment, the National Electrical Code requires exposed metal parts be grounded if operated at more than 150 volts to ground. The VersaMate® plug and receptacle system is available in two grounding styles. Please note Style I and II devices cannot be intermated.

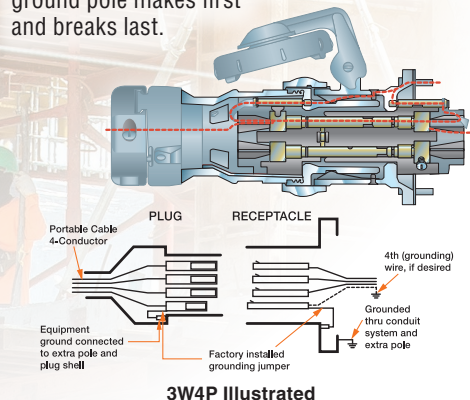
Style I

In a Style I plug, the cable’s ground conductor is bonded to the plug housing by means of solderless connector. The receptacle is grounded by being part of a grounded conduit system. Upon insertion, detent springs in the receptacle housing contact and ground the plug housing before current carrying poles. All poles are current carrying.



Style II

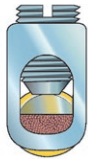
In a Style II plug, the cable’s ground conductor is bonded to the extra grounding pole and to the plug housing via a bonding jumper. The receptacle has a matching grounding pole connected to the system ground conductor which is further tied to the grounded conduit system via a bonding jumper. Upon insertion, detent springs in the receptacle housing contact and ground the plug housing; then the extra long ground pole connects before the current carrying poles engage. The Style II ground pole makes first and breaks last.





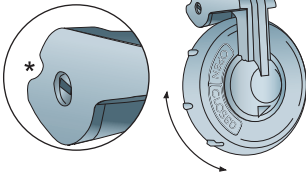
FEATURES / COMPARISONS

KILLARK BRAND TERMINALS		RECEPTACLE/CONNECTOR PIN CONFIGURATION			
		STYLE 1		STYLE 2	
AMPS	POLES AND WIRES	RECEPTACLE/CONNECTOR CONFIGURATION	AMPS	POLES AND WIRES	RECEPTACLE/CONNECTOR CONFIGURATION
30	2W2P		30	2W3P	
	3W3P			3W4P	
	4W4P			2W3P	
60	2W2P		60	3W4P	
	3W3P			2W3P	
	4W4P			3W4P	
100	2W2P		100	2W3P	
	3W3P			3W4P	
	4W4P			3W4P	
150A	2W2P		150A	3W4P	
	3W3P			2W3P	
	4W4P			3W4P	
200	3W3P		200	3W4P	
	4W4P				



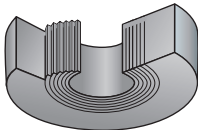
New Allen/slot terminal screws do not contact or machine conductor. Allows higher torque values typical in the oil industry.

CAP



“Breech-Lock” design serves as both flip lid or screw cover style. Special notch in lid arm holds cover open to ease plug insertion or maintenance.
*Slip pencil or screwdriver into notch.

GASKET



Exclusive “Onion Skin” style gasket assures a tight seal around cable. Skin layers are removed from a single gasket to adjust for various cable diameters.

REVERSE SERVICE: S39

Add suffix **S39** for factory Reverse Service of receptacles, plugs or connectors. Receptacles or connectors are assembled with plug interiors while plugs are assembled with receptacle interiors. For applications where the plug is energized (i.e. from a generator) to feed a non-energized receptacle. Prevents easy contact with energized exposed pins. This conversion can be performed in the field with a complementary plug and receptacle. 200A Amp devices are a factory-only option. Reverse service is not for hazardous locations.



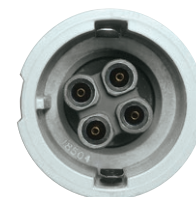
POLARIZED OPTION: S37

Add suffix **S37** for special polarity.

Can prevent connection between mismatched voltages or frequencies in areas where devices of the same amperage, poles and grounding style are used. Receptacle or connector interiors are rotated 22-1/2° to the right; plug is rotated opposite to match. This is a factory only option.



Standard



S37 Option



CONNECTIVITY

VERSAMATE® SERIES

INTRODUCTION • NEMA 4X METALLIC

NEMA 4X VersaMATE®



VR/VP

Compliant to UL1686-C1
Type 3, 4, 4X

FEATURES-SPECIFICATIONS

Features

- UL 1686-C1 Intermateable with similar competitive products, including classified for use with Crouse-Hinds® Arktite® and Appleton® Powertite® devices.
- Receptacle bolt hole patterns match competitive back boxes for ease of installation.
- Octagonal body for sure grip.
- Breech-Lock cap on receptacles and in-line connectors serves as combination flip lid and screw cover.
- Back boxes available in straight and angled configurations.
- Angle Adapter (60-200A) suitable for installation on sheet metal enclosures.
- 60A Receptacles fit on 100A Angled Adapter.

Materials

- Copper-free aluminum construction with electrostatically applied epoxy/polyester finish.
- Contacts are brass with a patented beryllium copper spring tensioner.
- External screws are 316 stainless steel.

Electrical Ratings

- Amperage = 30/60/100/150/200A
- Voltage = 600VAC / 250VDC
- Frequency = 50/60/400Hz

Arktite® is a registered trademark of Crouse-Hinds®.

Powertite® is a registered trademark of Appleton Electric Company®.



30A SELECTION INFORMATION



**30 Amp 600VAC/250VDC; 50-400 Hertz
Type 3, 4, 4X**

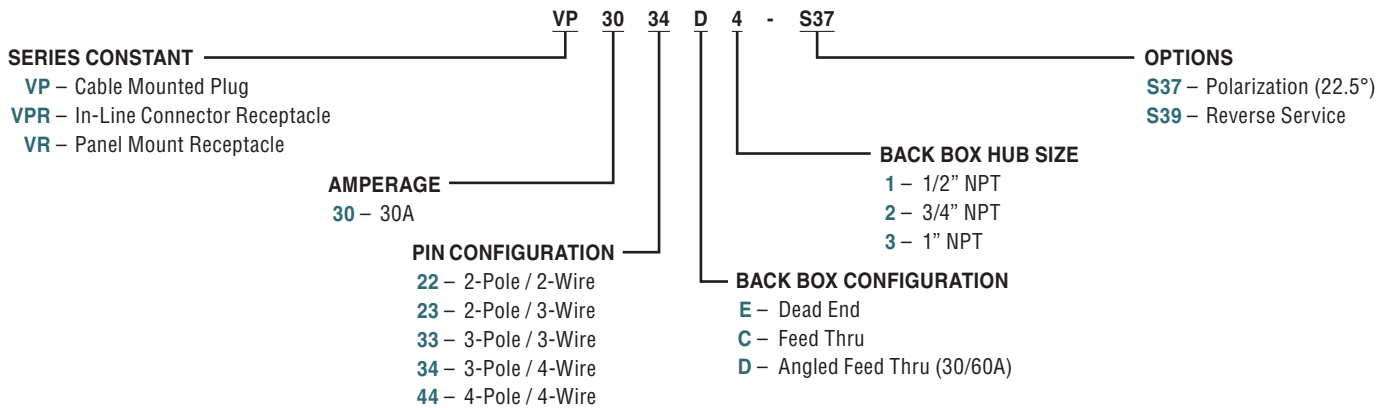
Wire Range

Regular Stranding: #10 - #6 original style or "AT" type (Includes Type P marine)
Extra flex: #10 - #8 original style or "AT" type

UL File No. E10757

CS Certified File No. 1103268 (30A)

VP/VPR/VR PLUGS



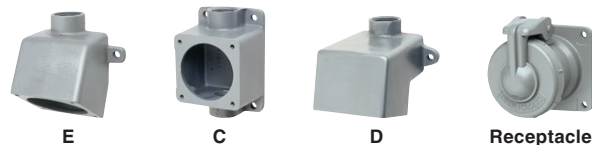
30 AMP PLUGS & CONNECTORS

GROUND STYLE	CIRCUIT	GROMMET RANGE	CATALOG NUMBER	
			PLUG	CONNECTOR
Style I	2W2P	.55 - 1.20 IN	VP3022	VPR3022
	3W3P	.55 - 1.20 IN	VP3033	VPR3033
	4W4P	.55 - 1.20 IN	VP3044	VPR3044
Style II	2W3P	.55 - 1.20 IN	VP3023	VPR3023
	3W4P	.55 - 1.20 IN	VP3034	VPR3034

30 AMP RECEPTACLES & BACK BOXES

GROUND STYLE	CIRCUIT	CATALOG NUMBER			
		E① TYPE DEAD END	C① TYPE FEED THRU	D① TYPE ANGLED FEED THRU	RECEPTACLE ONLY
Style I	2W2P	VR3022E2	VR3022C2	VR3022D2	VR3022
	3W3P	VR3033E2	VR3033C2	VR3033D2	VR3033
	4W4P	VR3044E2	VR3044C2	VR3044D2	VR3044
Style II	2W3P	VR3023E2	VR3023C2	VR3023D2	VR3023
	3W4P	VR3034E2	VR3034C2	VR3034D2	VR3034
Splice box only①		VRE23	VRC23	VRD23	-

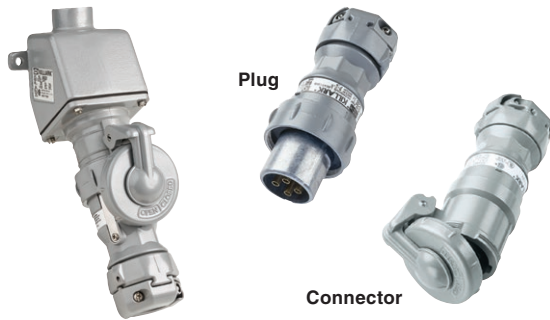
① 30 Amp Back Boxes are available in 1/2", 3/4" and 1" conduit sizes. Size listed for 3/4". For other available sizes, change the BOLD "2" in either the assembly or box only number to: **1**=1/2", **2**=3/4", **3**=1". Assembly catalog numbers are listed for ease of ordering or specification and devices are shipped as components.





CONNECTIVITY VERSAMATE® SERIES

60A SELECTION INFORMATION



Plug

Connector

**60 Amp 600VAC/250VDC; 50-400 Hertz
Type 3, 4, 4X**

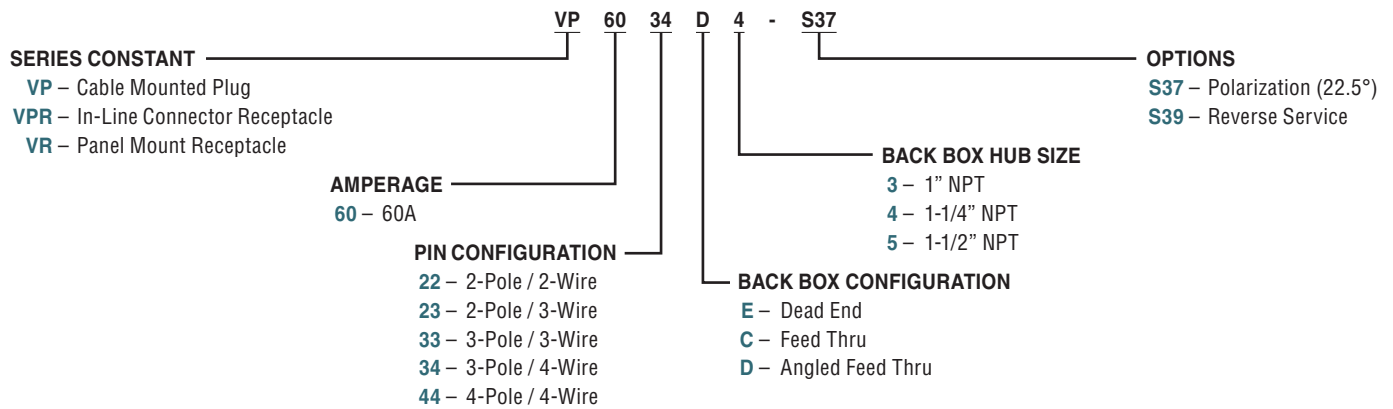
Wire Range

Regular Stranding: #6 - #2 original style or "AT" type (Includes Type P marine)
Extra flex: #6 - #4 original style or "AT" type

File No. E10757

Certified File No. 1103258 (60A)

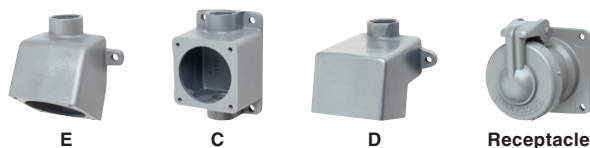
VP/VPR/VR PLUGS



60 AMP PLUGS & CONNECTORS				
GROUND STYLE	CIRCUIT	GROMMET RANGE	CATALOG NUMBER	
			PLUG	CONNECTOR
Style I	2W2P	.65 - 1.50 IN	VP6022	VPR6022
	3W3P	.65 - 1.50 IN	VP6033	VPR6033
	4W4P	.65 - 1.50 IN	VP6044	VPR6044
Style II	2W3P	.65 - 1.50 IN	VP6023	VPR6023
	3W4P	.65 - 1.50 IN	VP6034	VPR6034

60 AMP RECEPTACLES & BACK BOXES					
GROUND STYLE	CIRCUIT	CATALOG NUMBER			RECEPTACLE ONLY
		EⓈ TYPE DEAD END	CⓈ TYPE FEED THRU	DⓈ TYPE ANGLED FEED THRU	
Style I	2W2P	VR6022E 4	VR6022C 4	VR6022D 4	VR6022
	3W3P	VR6033E 4	VR6033C 4	VR6033D 4	VR6033
	4W4P	VR6044E 4	VR6044C 4	VR6044D 4	VR6044
Style II	2W3P	VR6023E 4	VR6023C 4	VR6023D 4	VR6023
	3W4P	VR6034E 4	VR6034C 4	VR6034D 4	VR6034
Splice box onlyⓈ		VRE46	VRC46	VRD46	-

Ⓢ 60 Amp Back Boxes are available in 1", 1-1/4" and 1-1/2" conduit sizes. Size listed above is 1-1/4". For other available sizes, change the BOLD "4" in either the assembly or box only number as follows: **3**=1", **4**=1-1/4", **5**=1-1/2". Assembly catalog numbers are listed for ease of ordering or specification and devices are shipped as components.



E

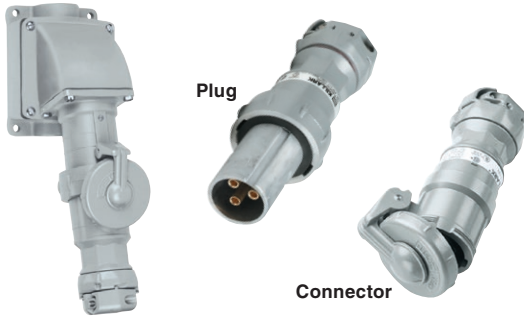
C

D

Receptacle



100A SELECTION INFORMATION



Plug

Connector

**100 Amp 600VAC/250VDC; 50-400 Hertz
Type 3, 4, 4X**

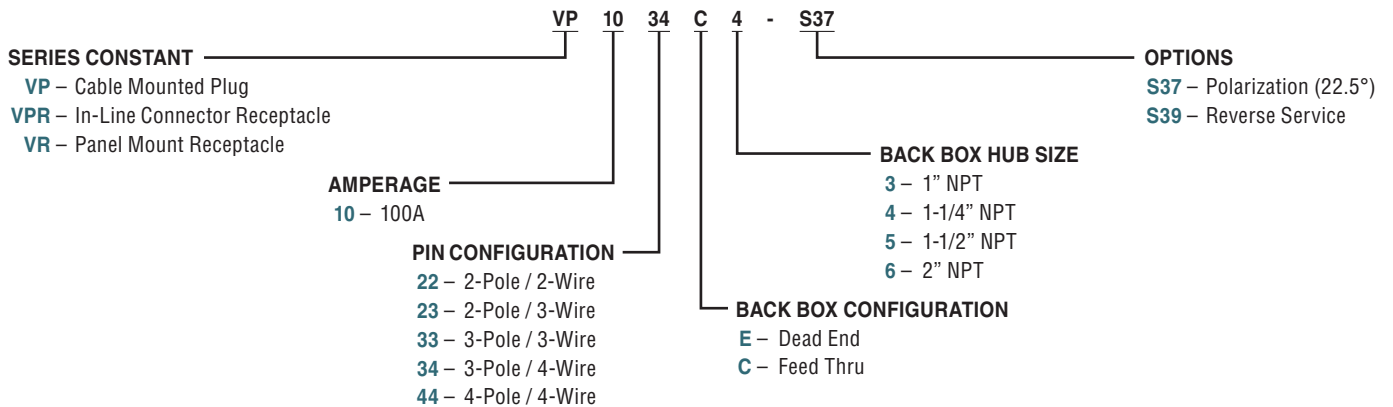
Wire Range

Regular Stranding: #4 - #2 original style or "AT" type (Includes Type P marine)
Extra flex: #4 - #2 original style or "AT" type

Ⓛ File No. E10757

Ⓢ Certified File No. 1093021 (100A)

VP/VPR/VR PLUGS



100 AMP PLUGS & CONNECTORS

GROUND STYLE	CIRCUIT	GROMMET RANGE	CATALOG NUMBER	
			PLUG	CONNECTOR
Style I	2W2P	.88 - 1.68 IN	VP1022	VPR1022
	3W3P	.88 - 1.68 IN	VP1033	VPR1033
	4W4P	.88 - 1.68 IN	VP1044	VPR1044
Style II	2W3P	.88 - 1.68 IN	VP1023	VPR1023
	3W4P	.88 - 1.68 IN	VP1034	VPR1034

100 AMP RECEPTACLES & BACK BOXES

GROUND STYLE	CIRCUIT	CATALOG NUMBER		
		E① TYPE DEAD END	C① TYPE FEED THRU	RECEPTACLE ONLY
Style I	2W2P	VR1022E5	VR1022C5	VR1022
	3W3P	VR1033E5	VR1033C5	VR1033
	4W4P	VR1044E5	VR1044C5	VR1044
Style II	2W3P	VR1023E5	VR1023C5	VR1023
	3W4P	VR1034E5	VR1034C5	VR1034
Splice box only②		VJ57	VJC57	VJA100*

* Angle adapter only

① 100 Amp Back Boxes are available in 1", 1-1/4", 1-1/2" & 2" conduit sizes. Size listed above is 1-1/2". For other available sizes, change the BOLD "5" in either the assembly or box only number as follows: **3=1"**, **4=1-1/4"**, **5=1-1/2"**, **6=2"**. Assembly catalog numbers are listed for ease of ordering or specification and devices are shipped as components.

② 100 Amp Boxes & Adapters also fit 60 Amp receptacles. Adapter only can be used to attach receptacle at an angle to a standard sheet metal box.



E

C

VJA100

Receptacle



CONNECTIVITY
VERSAMATE® SERIES

150A SELECTION INFORMATION



Plug



Connector

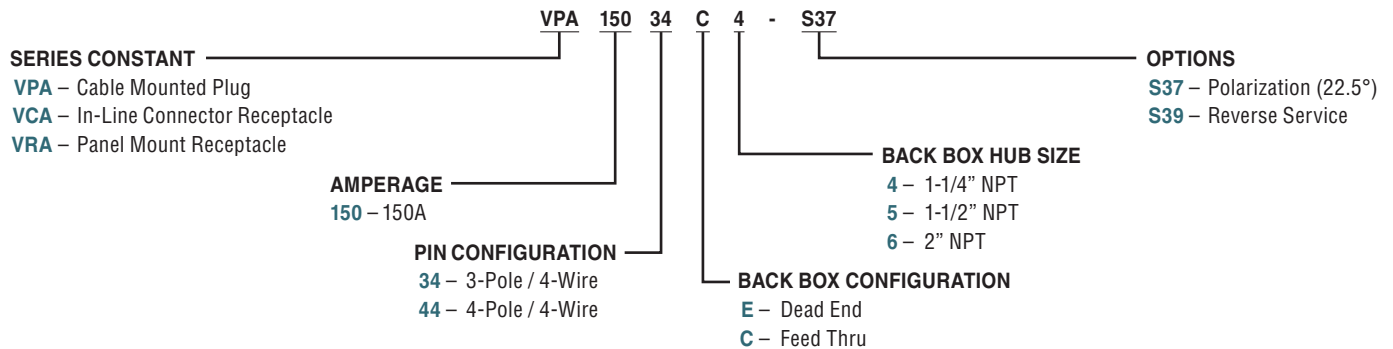
150 Amp 600VAC/250VDC; 50-400 hertz
Type 3, 4, 4X

Wire Range

Building #2-2/0
(Includes Type P marine)
Extra Flex #2-2/0

File No. E10757

VP/VPR/VR PLUGS



150 AMP PLUGS & CONNECTORS				
GROUND STYLE	CIRCUIT	GROMMET RANGE	CATALOG NUMBER	
			PLUG	CONNECTOR
Style I	4W4P	.88 - 1.91 IN	VPA15044	VCA15044
Style II	3W4P	.88 - 1.91 IN	VPA15034	VCA15034

150 AMP RECEPTACLES & BACK BOXES				
GROUND STYLE	CIRCUIT	CATALOG NUMBER		
		E ^① TYPE DEAD END	C ^① TYPE FEED THRU	RECEPTACLE ONLY
Style I	4W4P	VRA15044 E6	VRA15044 C6	VRA15044
Style II	3W4P	VRA15034 E6	VRA15034 C6	VRA15034
Splice box only w/ adapter ^②		VJ 67	VJ C67	VJ A100*

* Angle adapter only

① 150 Amp Back Boxes are available in 1-1/4", 1-1/2" & 2" conduit sizes. Size listed above is 2". For other available sizes, change the BOLD "6" in either the *assembly* or *box only* number as follows: **4**=1-1/4", **5**=1-1/2", **6**=2". Assembly catalog numbers are listed for ease of ordering or specification and devices are shipped as components.

② 100/150 Amp Boxes & Adapters also fit 60 Amp receptacles. Adapter-only can be used to attach receptacle at an angle to a standard sheet metal box.



E



C



Receptacle



200A SELECTION INFORMATION



Plug



Connector

**200 Amp 600VAC/250VDC; 50-400 Hertz
Type 3, 4, 4X**

Wire Range

Regular Stranding: #1 - 250
(Includes Type P marine)
Extra flex: #1 - 250 (.653 max conductor diameter)

File No. E10757

Certified File No. 1121608

VP/VPR/VR PLUGS

SERIES CONSTANT

- VP – Cable Mounted Plug
- VPR – In-Line Connector Receptacle
- VR – Panel Mount Receptacle

PIN CONFIGURATION

- | | |
|----------------------------------|----------------------------------|
| 312 – 3-Pole / 3-Wire Receptacle | 4513 – 4-Pole / 4-Wire Plug |
| 322 – 2-Pole / 3-Wire Receptacle | 4612 – 3-Pole / 4-Wire Plug |
| 422 – 3-Pole / 4-Wire Receptacle | 3212 – 2-Pole / 3-Wire Connector |
| 412 – 4-Pole / 4-Wire Receptacle | 3112 – 3-Pole / 3-Wire Connector |
| 3612 – 2-Pole / 3-Wire Plug | 4113 – 4-Pole / 4-Wire Connector |
| 3512 – 3-Pole / 3-Wire Plug | 4212 – 3-Pole / 4-Wire Connector |

VPR 20 3512 C 6 - S37

AMPERAGE
20 – 200A

OPTIONS

- S37 – Polarization (22.5°)
- S39 – Reverse Service

BACK BOX HUB SIZE

- 5 – 1-1/2" NPT
- 6 – 2" NPT
- 7 – 2-1/2" NPT

BACK BOX CONFIGURATION

- E – Dead End
- C – Feed Thru

200 AMP PLUGS & CONNECTORS

GROUND STYLE	CIRCUIT	GROMMET RANGE	CATALOG NUMBER	
			PLUG	CONNECTOR
Style I	3W3P	1.0 - 2.5 IN	VP203512	VPR203112
	4W4P	1.0 - 2.5 IN	VP204513	VPR204113
Style II	2W3P	1.0 - 2.5 IN	VP203612	VPR203212
	3W4P	1.0 - 2.5 IN	VP204612	VPR204212

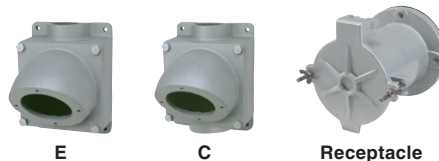
200 AMP RECEPTACLES & BACK BOXES

GROUND STYLE	CIRCUIT	CATALOG NUMBER		
		E Ⓢ TYPE DEAD END	C Ⓢ TYPE FEED THRU	RECEPTACLE ONLY
Style I	3W3P	VR20312E6	VR20312C7	VR20312
	4W4P	VR20412E6	VR20412C7	VR20412
Style II	2W3P	VR20322E6	VR20322C7	VR20322
	3W4P	VR20422E6	VR20422C7	VR20422
Splice box only w/ adapter Ⓢ		VJ78	VJC78	Angle adapter only VJA200

Ⓢ 200 Amp dead-end Back Boxes are available in sizes 1-1/2", 2" & 2-1/2" conduit sizes. Dead-end box shown is 2". For other available dead-end box sizes, change the BOLD "6" in either the dead-end assembly or box only number as follows: **5**=1-1/2", **6**=2", **7**=2-1/2". Feed through boxes are available in 2-1/2"; use "R" series adapters as required for smaller sizes (sold separately). Assembly catalog numbers are listed for ease of ordering or specification and devices are shipped as components.

Ⓢ Adapter-only can be used to attach receptacle at an angle to a standard sheet metal box.

* 200A 3W4P Reverse Service configured "W" Series and VersaMate® are not interchangeable. However, the VersaMate VR20422-S39 receptacle ships with instructions to permanently convert for use with existing PW-6402X SU39 plugs. Factory only configured plugs to fit old RW64C-SU39 receptacles may be ordered as VP-PW64026 SU39.

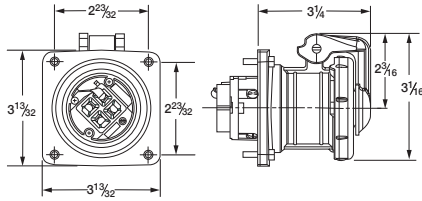




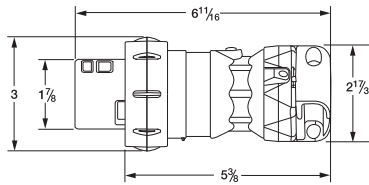
CONNECTIVITY
VERSAMATE® SERIES

DIMENSIONS

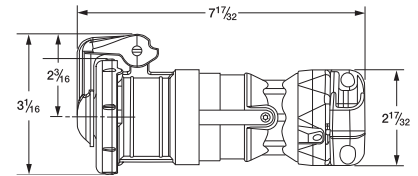
30A SELECTION INFORMATION



Receptacle

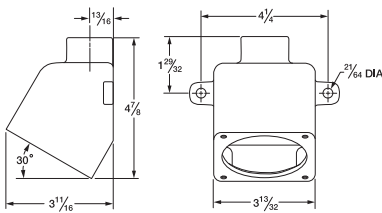


Plug

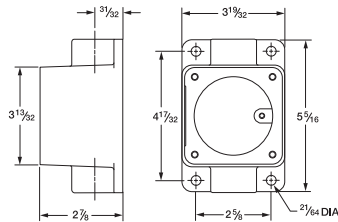


Connector

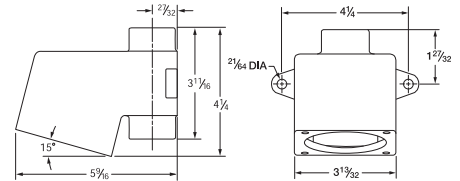
Back Box Dimensions



VRE

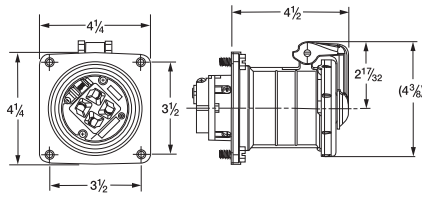


VRC

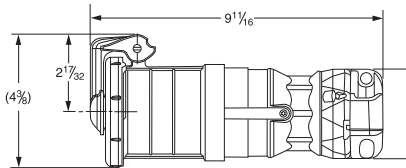


VRD

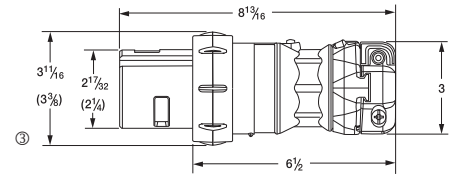
60A SELECTION INFORMATION



Receptacle

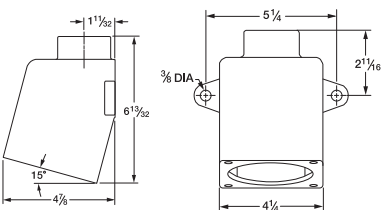


Connector

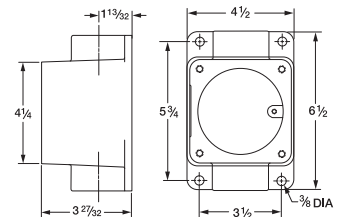


Plug

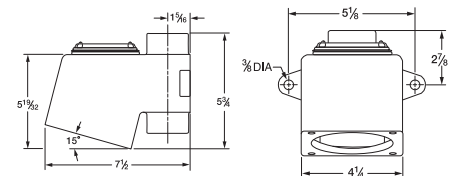
Back Box Dimensions



VRE



VRC



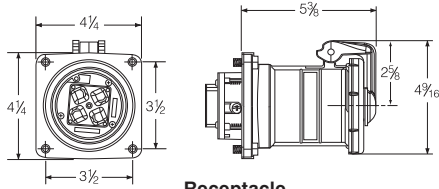
VRD

Dimensions in () are 3 pole devices; balance are 4 pole.



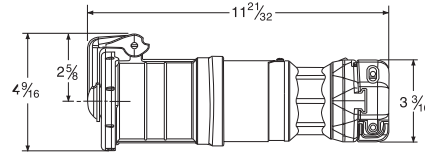
DIMENSIONS

100A SELECTION INFORMATION

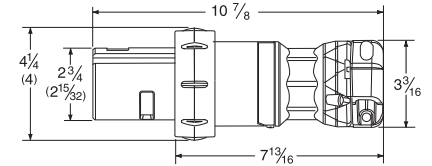


Receptacle

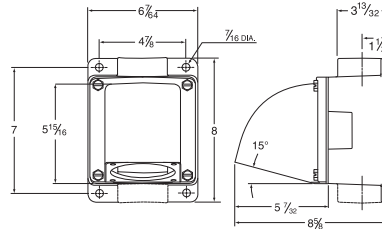
Back Box Dimensions



Connector

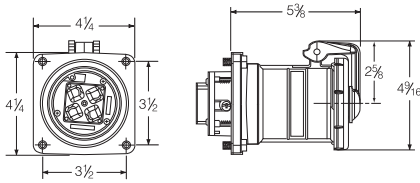


Plug



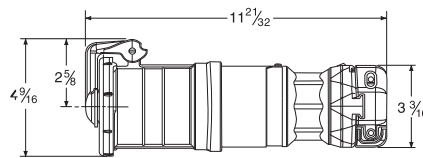
VJC
Feed through style shown

150A SELECTION INFORMATION

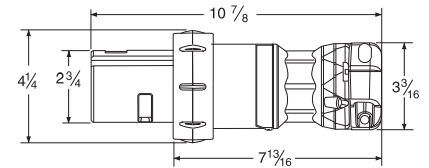


Receptacle

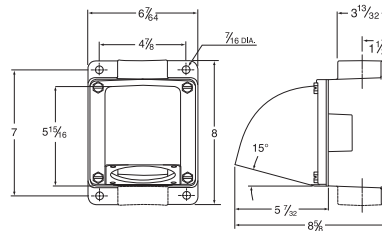
Back Box Dimensions



Connector

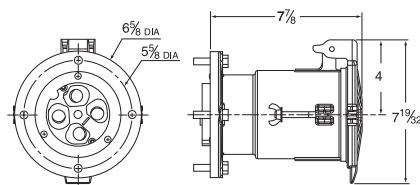


Plug



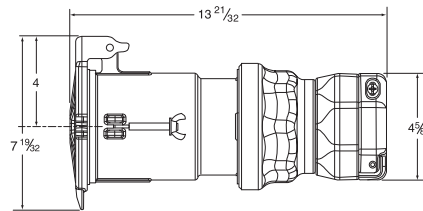
VJC
Feed through style shown

200A SELECTION INFORMATION

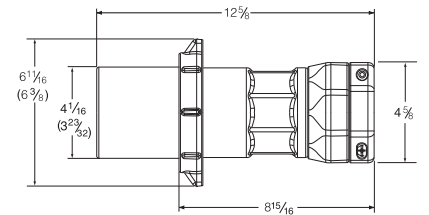


Receptacle

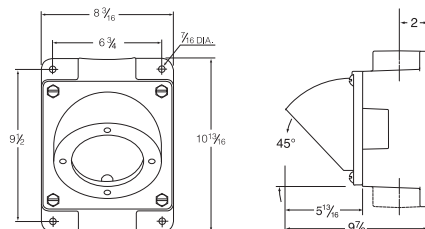
Back Box Dimensions



Connector



Plug



VJC

Dimensions in () are 3 pole devices; balance are 4 pole.



CONNECTIVITY
RMPIII SERIES

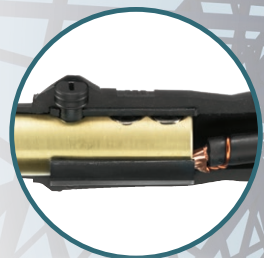
RMPIII300/400



High Conductivity
Brass Contact



Non-Conductive
Locking Screw



Molded-In Strip
Gauge

Locking Alignment
Indicator

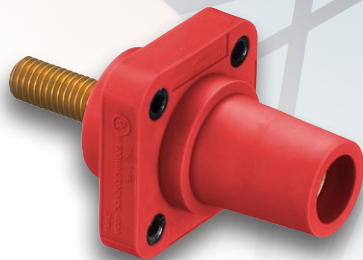
RMPIII MALE PLUG



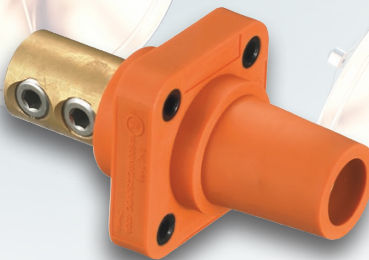
Wide Range of
Cable Sizes, with
Cut-Off Points



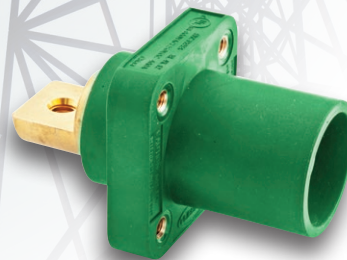
RMPIII FEMALE
PLUG



Female Receptacle, Stud Type



Female Receptacle, Double Set Screw



Male Receptacle, Bus Bar Mount



RMPIII300/400



RMPIII300/400
Plug

RMPIII300/400 Receptacle

UL1691 Standard (Single Pole
Locking Type Connectors)

 File No. E359583

FEATURES-SPECIFICATIONS

Features:

- Plug design incorporates superior grip, for safe connection.
- Accommodates wide range of cables, with easily identifiable cable cut off points.
- Extra-long insulating inner sleeve reduces force required to install contacts, including special non-conductive locking screw thread that requires fewer turns for assembly, leading to quicker installation, with no need for additional tools.
- Rounded corners, which prevent snagging on other equipment, and non-conductive retaining screw lead to a safer plug design, during and after installation.
- Strip gauge molded into every plug and receptacle.
- Locking symbol on front of device provides clear indication that devices are properly connected; devices can be rotated 180 degrees to prevent unintended disconnects.
- High conductivity brass contacts provide high contact pressure and vibration-resistant connection, reducing operating temperatures and extending product life.

Materials:

- High Quality, Corrosion-Resistant Materials
 - » Insulators = Thermoplastic Elastomer (TPE)
 - » Contacts = High Conductivity Brass

Electrical Ratings:

- Wire Type = Type SC/PPC Wire
- Voltage = 600VAC
- RMPIII300 Plug =
 - » Amperage = 300A
 - » Wire Range = #6 - 2/0 AWG
- RMPIII400 Plug =
 - » Amperage = 400A
 - » Wire Size = 2/0 - 4/0 AWG

AMPACITY RATINGS IN 40° AMBIENT

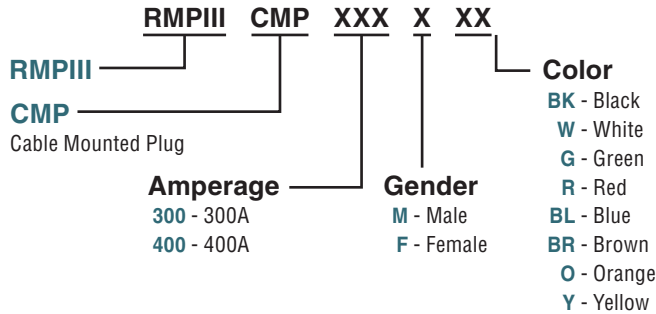
CABLE SIZE	90° C
#6 AWG	105A
#4 AWG	140A
#2 AWG	190A
#2/0 AWG	300A
#4/0 AWG	405A



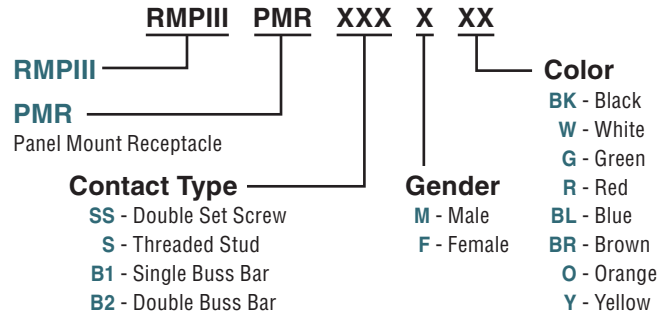
CONNECTIVITY
RMPIII SERIES

RMPIII300/400

PLUG CATALOG LOGIC



RECEPTACLE CATALOG LOGIC



RMPIII CABLE MOUNTED PLUGS				
COLOR	300A MALE	400A MALE	300A FEMALE	400A FEMALE
BLACK	RMPIII-CMP-300-M-BK	RMPIII-CMP-400-M-BK	RMPIII-CMP-300-F-BK	RMPIII-CMP-400-F-BK
WHITE	RMPIII-CMP-300-M-W	RMPIII-CMP-400-M-W	RMPIII-CMP-300-F-W	RMPIII-CMP-400-F-W
GREEN	RMPIII-CMP-300-M-G	RMPIII-CMP-400-M-G	RMPIII-CMP-300-F-G	RMPIII-CMP-400-F-G
RED	RMPIII-CMP-300-M-R	RMPIII-CMP-400-M-R	RMPIII-CMP-300-F-R	RMPIII-CMP-400-F-R
BLUE	RMPIII-CMP-300-M-BL	RMPIII-CMP-400-M-BL	RMPIII-CMP-300-F-BL	RMPIII-CMP-400-F-BL
BROWN	RMPIII-CMP-300-M-BR	RMPIII-CMP-400-M-BR	RMPIII-CMP-300-F-BR	RMPIII-CMP-400-F-BR
ORANGE	RMPIII-CMP-300-M-O	RMPIII-CMP-400-M-O	RMPIII-CMP-300-F-O	RMPIII-CMP-400-F-O
YELLOW	RMPIII-CMP-300-M-Y	RMPIII-CMP-400-M-Y	RMPIII-CMP-300-F-Y	RMPIII-CMP-400-F-Y

COMPLETE PART NUMBER CONFIGURATIONS

RMPIII PANEL MOUNT RECEPTACLES

COLOR	CONTACT TYPE							
	DOUBLE SET SCREW-MALE	DOUBLE SET SCREW-FEMALE	THREADED STUD-MALE	THREADED STUD-FEMALE	SINGLE BUSS BAR-MALE	SINGLE BUSS BAR-FEMALE	DOUBLE BUSS BAR-MALE	DOUBLE BUSS BAR-FEMALE
BLACK	RMPIII-PMR-SS-M-BK	RMPIII-PMR-SS-F-BK	RMPIII-PMR-S-M-BK	RMPIII-PMR-S-F-BK	RMPIII-PMR-B1-M-BK	RMPIII-PMR-B1-F-BK	RMPIII-PMR-B2-M-BK	RMPIII-PMR-B2-F-BK
WHITE	RMPIII-PMR-SS-M-W	RMPIII-PMR-SS-F-W	RMPIII-PMR-S-M-W	RMPIII-PMR-S-F-W	RMPIII-PMR-B1-M-W	RMPIII-PMR-B1-F-W	RMPIII-PMR-B2-M-W	RMPIII-PMR-B2-F-W
GREEN	RMPIII-PMR-SS-M-G	RMPIII-PMR-SS-F-G	RMPIII-PMR-S-M-G	RMPIII-PMR-S-F-G	RMPIII-PMR-B1-M-G	RMPIII-PMR-B1-F-G	RMPIII-PMR-B2-M-G	RMPIII-PMR-B2-F-G
RED	RMPIII-PMR-SS-M-R	RMPIII-PMR-SS-F-R	RMPIII-PMR-S-M-R	RMPIII-PMR-S-F-R	RMPIII-PMR-B1-M-R	RMPIII-PMR-B1-F-R	RMPIII-PMR-B2-M-R	RMPIII-PMR-B2-F-R
BLUE	RMPIII-PMR-SS-M-BL	RMPIII-PMR-SS-F-BL	RMPIII-PMR-S-M-BL	RMPIII-PMR-S-F-BL	RMPIII-PMR-B1-M-BL	RMPIII-PMR-B1-F-BL	RMPIII-PMR-B2-M-BL	RMPIII-PMR-B2-F-BL
BROWN	RMPIII-PMR-SS-M-BR	RMPIII-PMR-SS-F-BR	RMPIII-PMR-S-M-BR	RMPIII-PMR-S-F-BR	RMPIII-PMR-B1-M-BR	RMPIII-PMR-B1-F-BR	RMPIII-PMR-B2-M-BR	RMPIII-PMR-B2-F-BR
ORANGE	RMPIII-PMR-SS-M-O	RMPIII-PMR-SS-F-O	RMPIII-PMR-S-M-O	RMPIII-PMR-S-F-O	RMPIII-PMR-B1-M-O	RMPIII-PMR-B1-F-O	RMPIII-PMR-B2-M-O	RMPIII-PMR-B2-F-O
YELLOW	RMPIII-PMR-SS-M-Y	RMPIII-PMR-SS-F-Y	RMPIII-PMR-S-M-Y	RMPIII-PMR-S-F-Y	RMPIII-PMR-B1-M-Y	RMPIII-PMR-B1-F-Y	RMPIII-PMR-B2-M-Y	RMPIII-PMR-B2-F-Y



RMPIII300/400

RMPIII ACCESSORIES

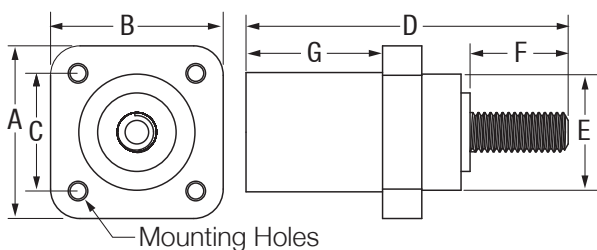
PROTECTIVE CAPS				WEATHER PROTECTIVE LIFT COVERS	
COLOR			 ALL ONE COLOR CAPS AND BODIES		
	FITS FEMALE DEVICES	FITS MALE DEVICES			
Black	RMPIII-FCAPBK	RMPIII-MCAPBK	Clear	RMPIII-NCC	
			Black	RMPIII-NCABK	
			White	RMPIII-NCAW	
			Green	RMPIII-NCAG	
			Red	RMPIII-NCAR	
			Blue	RMPIII-NCABL	
			Brown	RMPIII-NCABR	
			Orange	RMPIII-NCAO	
			Yellow	RMPIII-NCAY	

RMPIII300/400 SERIES				
	DIMENSIONS INCHES (mm)			
	A	B	C	D
IN LINE PLUGS				
Male	7.01" (178.0)	1.38" (35.1)	1.48" (37.6)	4.78" (121.4)
Female	7.10" (180.5)	1.44" (36.6)	1.06" (27.0)	4.90" (121.3)

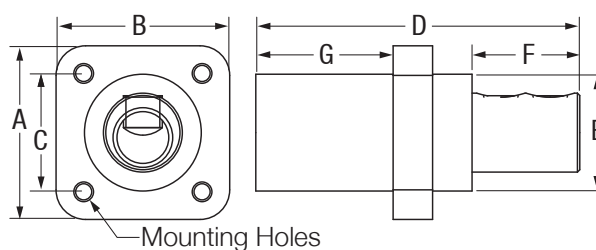
RMPIII300/400 SERIES

DESCRIPTION	DIMENSIONS INCHES (mm)							MOUNTING HOLE	TERMINATION
	A	B	C	D	E	F	G		
THREADED STUD									
Male & Female with through hole mounting	2.20" (55.9)	2.20" (55.9)	1.50" (38.1)	4.10" (104.3)	1.48" (37.6)	1.25" (31.7)	1.74" (44.2)	Through 4x Ø .20"	1/2-13 UNC-2A Threaded stud
DOUBLE SET SCREW									
Male & Female with through hole mounting	2.20" (55.9)	2.20" (55.9)	1.50" (38.1)	4.10" (104.3)	1.48" (37.6)	1.36" (34.5)	1.74" (44.2)	Through 4x Ø .20"	(2) 7/32 Socket Head set screws Wire Range: #4 - 4/0 AWG
BUSBAR TYPE									
Male & Female with threaded mounting holes	2.20" (55.9)	2.20" (55.9)	1.50" (38.1)	3.57" (90.7)	1.48" (37.6)	1.01" (25.7)	1.55" (39.4)	Threaded 4x #10-32	(1) 5/16-18 UNC-2B Threaded hole

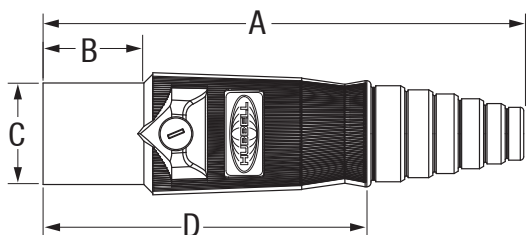
DIMENSIONS



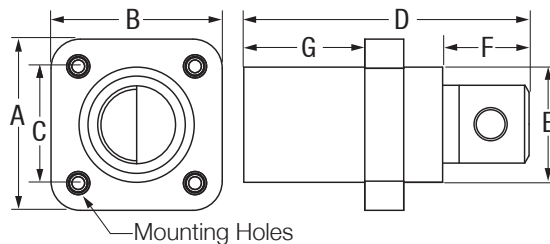
Threaded Stud (Male Shown)



Double Set Screw (Male Shown)



In Line Plug (Male Shown)



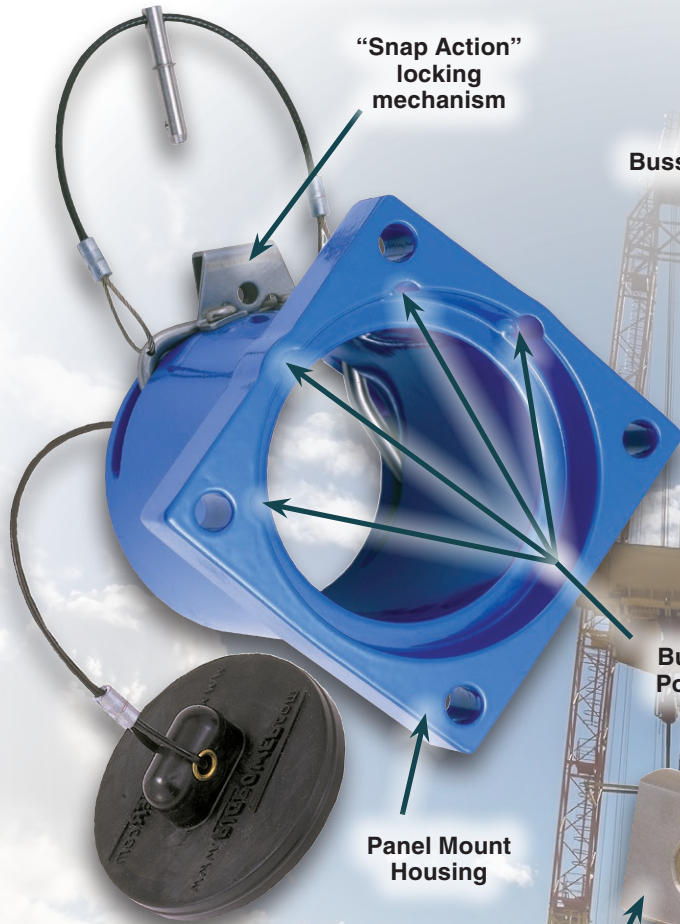
Busbar Type (Male Shown)



CONNECTIVITY
RMPIII SERIES

HIGHER AMPERAGE

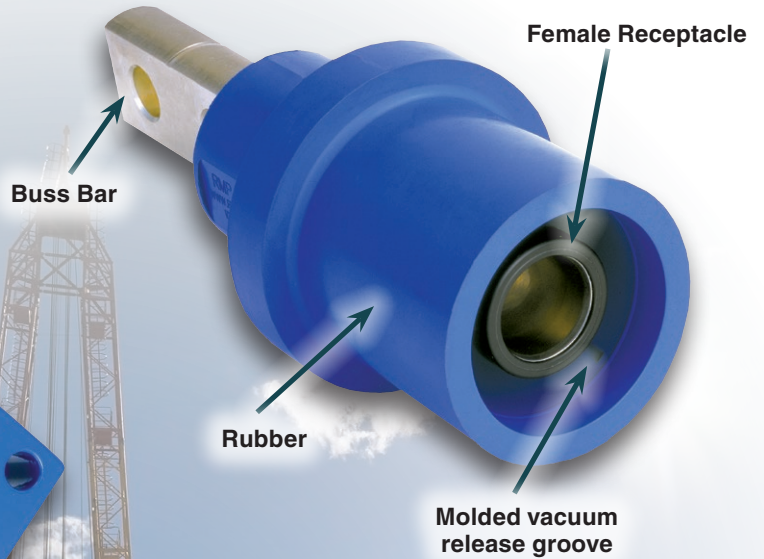
RMPIII PANEL MOUNT HOUSINGS



"Snap Action"
locking
mechanism

Panel Mount
Housing

RMPIII FEMALE RECEPTACLES



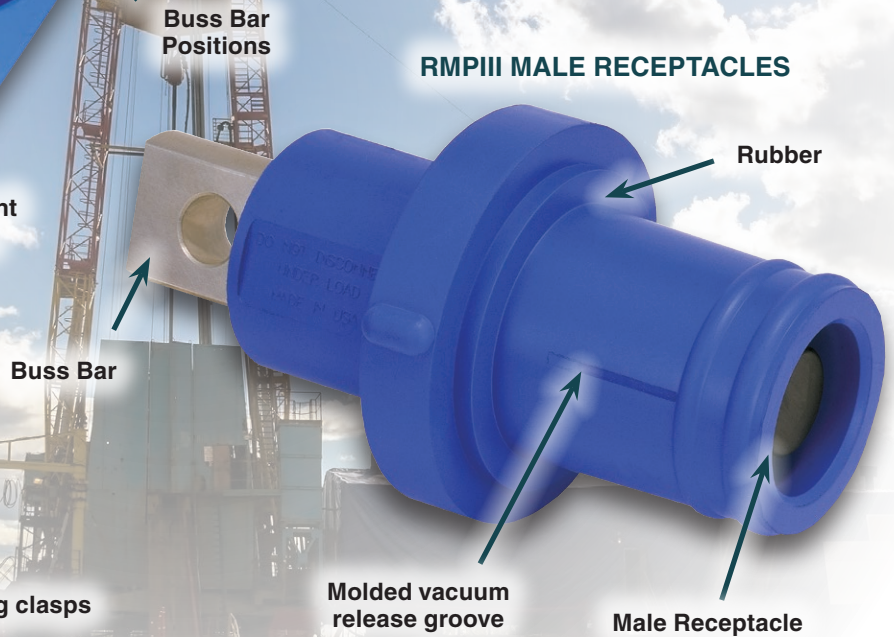
Female Receptacle

Buss Bar

Rubber

Molded vacuum
release groove

RMPIII MALE RECEPTACLES



Rubber

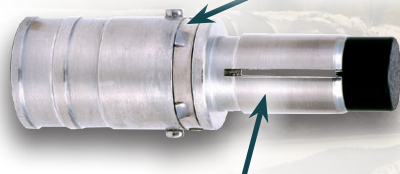
Molded vacuum
release groove

Male Receptacle

FEMALE CONTACTS



MALE CONTACTS

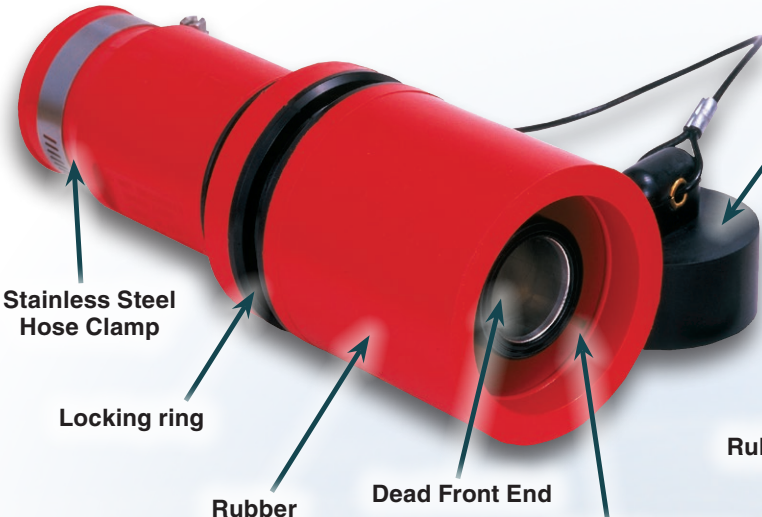


Six flared locking clasps

New contrast profile allows
increased contact pressure
with reduced insertion force.



HIGHER AMPERAGE
RMPIII FEMALE PLUGS



RMPIII MALE PLUGS



RMPIII IN-LINE CONNECTION





CONNECTIVITY
RMPIII SERIES

HIGHER AMPERAGE



RMP® III Series
Female Panel Mounted Receptacle



RMP® III Male Plugs

-40°C to +55°C ambient temperature
NEMA 3R
1000 Volts AC/DC
400-1135 Amps
Class I, Div. 2, Groups A, B, C, D

 File No. E361477

 File No. E489255

FEATURES-SPECIFICATIONS

Features:

- Single Pole Power Connectors
- Available in up to 10 Colors, for Phase-Specific Color Coding
- Available in Panel Mount Receptacles, Cable-Mounted Plugs, and In-Line Connectors
- Available in Male and Female Insert Configurations
- Rubber Plug/Receptacle Cap Included as Standard
- Angled Snap-Action Locking Bar on receptacles
- Plugs and Receptacles have a dead front contact tip to help protect operators from shock hazard.
- Easy, High-Strength Cable Termination, using Crimp/Die Sets

Materials:

- Busbar and Contacts = High Conductivity, Sn-Coated Copper
- Insulator Boot = Hypalon Rubber
- Dust Cap = Neoprene Rubber
- Housing = Powder Coated, Copper-Free Aluminum

Electrical Ratings:

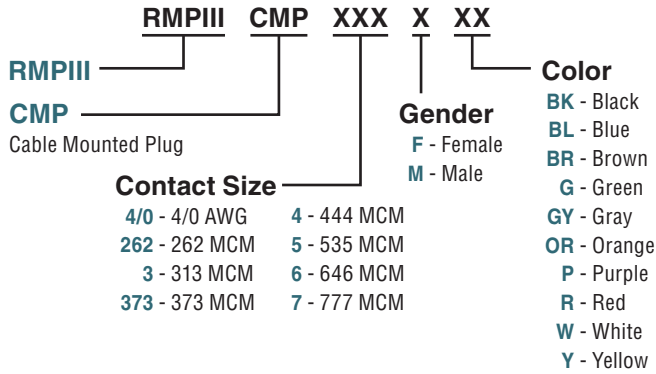
- Suitable for a Wide Range of Maximum Amperages = 400A to 1135A (Cable Size Dependent)
- Suitable for up to 1000 VAC/DC
- Suitable for Wire Ranges between 4/0 AWG through 777 MCM

AMPACITY RATINGS IN 40° AMBIENT		
CABLE SIZE	90°C CABLE	125°C CABLE
4/0 MCM	364 AMPS	451 AMPS
262 MCM	428 AMPS	566 AMPS
313 MCM	513 AMPS	636 AMPS
373 MCM	548 AMPS	669 AMPS
444 MCM	642 AMPS	796 AMPS
535 MCM	724 AMPS	898 AMPS
646 MCM	814 AMPS	1009 AMPS
777 MCM	916 AMPS	1135 AMPS

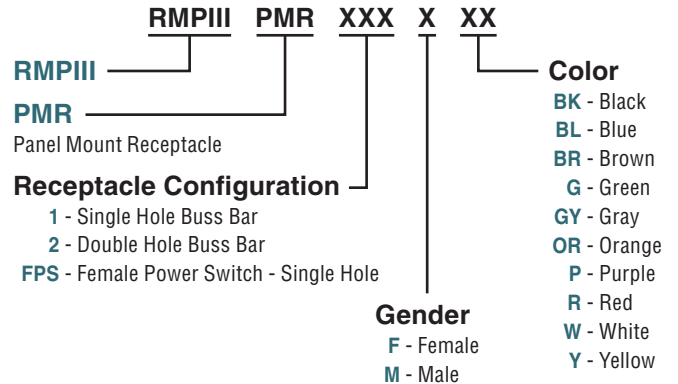


HIGHER AMPERAGE

PLUG CATALOG LOGIC



RECEPTACLE CATALOG LOGIC



RMPIII CABLE MOUNTED PLUGS - MALE

COLOR	4/0 CONTACT	262 CONTACT	313 CONTACT	373 CONTACT	444 CONTACT	535 CONTACT	646 CONTACT	777 CONTACT
Black	RMPIII-CMP-4/0M-BK	RMPIII-CMP-262M-BK	RMPIII-CMP-3M-BK	RMPIII-CMP-373M-BK	RMPIII-CMP-4M-BK	RMPIII-CMP-5M-BK	RMPIII-CMP-6M-BK	RMPIII-CMP-7M-BK
Blue	RMPIII-CMP-4/0M-BL	RMPIII-CMP-262M-BL	RMPIII-CMP-3M-BL	RMPIII-CMP-373M-BL	RMPIII-CMP-4M-BL	RMPIII-CMP-5M-BL	RMPIII-CMP-6M-BL	RMPIII-CMP-7M-BL
Brown	RMPIII-CMP-4/0M-BR	RMPIII-CMP-262M-BR	RMPIII-CMP-3M-BR	RMPIII-CMP-373M-BR	RMPIII-CMP-4M-BR	RMPIII-CMP-5M-BR	RMPIII-CMP-6M-BR	RMPIII-CMP-7M-BR
Green	RMPIII-CMP-4/0M-G	RMPIII-CMP-262M-G	RMPIII-CMP-3M-G	RMPIII-CMP-373M-G	RMPIII-CMP-4M-G	RMPIII-CMP-5M-G	RMPIII-CMP-6M-G	RMPIII-CMP-7M-G
Gray	RMPIII-CMP-4/0M-GY	RMPIII-CMP-262M-GY	RMPIII-CMP-3M-GY	RMPIII-CMP-373M-GY	RMPIII-CMP-4M-GY	RMPIII-CMP-5M-GY	RMPIII-CMP-6M-GY	RMPIII-CMP-7M-GY
Orange	RMPIII-CMP-4/0M-OR	RMPIII-CMP-262M-OR	RMPIII-CMP-3M-OR	RMPIII-CMP-373M-OR	RMPIII-CMP-4M-OR	RMPIII-CMP-5M-OR	RMPIII-CMP-6M-OR	RMPIII-CMP-7M-OR
Purple	RMPIII-CMP-4/0M-P	RMPIII-CMP-262M-P	RMPIII-CMP-3M-P	RMPIII-CMP-373M-P	RMPIII-CMP-4M-P	RMPIII-CMP-5M-P	RMPIII-CMP-6M-P	RMPIII-CMP-7M-P
Red	RMPIII-CMP-4/0M-R	RMPIII-CMP-262M-R	RMPIII-CMP-3M-R	RMPIII-CMP-373M-R	RMPIII-CMP-4M-R	RMPIII-CMP-5M-R	RMPIII-CMP-6M-R	RMPIII-CMP-7M-R
White	RMPIII-CMP-4/0M-W	RMPIII-CMP-262M-W	RMPIII-CMP-3M-W	RMPIII-CMP-373M-W	RMPIII-CMP-4M-W	RMPIII-CMP-5M-W	RMPIII-CMP-6M-W	RMPIII-CMP-7M-W
Yellow	RMPIII-CMP-4/0M-Y	RMPIII-CMP-262M-Y	RMPIII-CMP-3M-Y	RMPIII-CMP-373M-Y	RMPIII-CMP-4M-Y	RMPIII-CMP-5M-Y	RMPIII-CMP-6M-Y	RMPIII-CMP-7M-Y

RMPIII CABLE MOUNTED PLUGS - FEMALE

Black	RMPIII-CMP-4/0F-BK	RMPIII-CMP-262F-BK	RMPIII-CMP-3F-BK	RMPIII-CMP-373F-BK	RMPIII-CMP-4F-BK	RMPIII-CMP-5F-BK	RMPIII-CMP-6F-BK	RMPIII-CMP-7F-BK
Blue	RMPIII-CMP-4/0F-BL	RMPIII-CMP-262F-BL	RMPIII-CMP-3F-BL	RMPIII-CMP-373F-BL	RMPIII-CMP-4F-BL	RMPIII-CMP-5F-BL	RMPIII-CMP-6F-BL	RMPIII-CMP-7F-BL
Brown	RMPIII-CMP-4/0F-BR	RMPIII-CMP-262F-BR	RMPIII-CMP-3F-BR	RMPIII-CMP-373F-BR	RMPIII-CMP-4F-BR	RMPIII-CMP-5F-BR	RMPIII-CMP-6F-BR	RMPIII-CMP-7F-BR
Green	RMPIII-CMP-4/0F-G	RMPIII-CMP-262F-G	RMPIII-CMP-3F-G	RMPIII-CMP-373F-G	RMPIII-CMP-4F-G	RMPIII-CMP-5F-G	RMPIII-CMP-6F-G	RMPIII-CMP-7F-G
Gray	RMPIII-CMP-4/0F-GY	RMPIII-CMP-262F-GY	RMPIII-CMP-3F-GY	RMPIII-CMP-373F-GY	RMPIII-CMP-4F-GY	RMPIII-CMP-5F-GY	RMPIII-CMP-6F-GY	RMPIII-CMP-7F-GY
Orange	RMPIII-CMP-4/0F-OR	RMPIII-CMP-262F-OR	RMPIII-CMP-3F-OR	RMPIII-CMP-373F-OR	RMPIII-CMP-4F-OR	RMPIII-CMP-5F-OR	RMPIII-CMP-6F-OR	RMPIII-CMP-7F-OR
Purple	RMPIII-CMP-4/0F-P	RMPIII-CMP-262F-P	RMPIII-CMP-3F-P	RMPIII-CMP-373F-P	RMPIII-CMP-4F-P	RMPIII-CMP-5F-P	RMPIII-CMP-6F-P	RMPIII-CMP-7F-P
Red	RMPIII-CMP-4/0F-R	RMPIII-CMP-262F-R	RMPIII-CMP-3F-R	RMPIII-CMP-373F-R	RMPIII-CMP-4F-R	RMPIII-CMP-5F-R	RMPIII-CMP-6F-R	RMPIII-CMP-7F-R
White	RMPIII-CMP-4/0F-W	RMPIII-CMP-262F-W	RMPIII-CMP-3F-W	RMPIII-CMP-373F-W	RMPIII-CMP-4F-W	RMPIII-CMP-5F-W	RMPIII-CMP-6F-W	RMPIII-CMP-7F-W
Yellow	RMPIII-CMP-4/0F-Y	RMPIII-CMP-262F-Y	RMPIII-CMP-3F-Y	RMPIII-CMP-373F-Y	RMPIII-CMP-4F-Y	RMPIII-CMP-5F-Y	RMPIII-CMP-6F-Y	RMPIII-CMP-7F-Y

RMPIII PANEL MOUNT RECEPTACLES

COLOR	SINGLE HOLE MALE	DOUBLE HOLE MALE	SINGLE HOLE FEMALE	DOUBLE HOLE FEMALE	POWER SWITCH RECEPTACLE FEMALE
Black	RMPIII-PMR-1M-BK	RMPIII-PMR-2M-BK	RMPIII-PMR-1F-BK	RMPIII-PMR-2F-BK	RMPIII-PMR-FPS-BK
Blue	RMPIII-PMR-1M-BL	RMPIII-PMR-2M-BL	RMPIII-PMR-1F-BL	RMPIII-PMR-2F-BL	RMPIII-PMR-FPS-BL
Brown	RMPIII-PMR-1M-BR	RMPIII-PMR-2M-BR	RMPIII-PMR-1F-BR	RMPIII-PMR-2F-BR	RMPIII-PMR-FPS-BR
Green	RMPIII-PMR-1M-G	RMPIII-PMR-2M-G	RMPIII-PMR-1F-G	RMPIII-PMR-2F-G	RMPIII-PMR-FPS-G
Gray	RMPIII-PMR-1M-GY	RMPIII-PMR-2M-GY	RMPIII-PMR-1F-GY	RMPIII-PMR-2F-GY	RMPIII-PMR-FPS-GY
Orange	RMPIII-PMR-1M-OR	RMPIII-PMR-2M-OR	RMPIII-PMR-1F-OR	RMPIII-PMR-2F-OR	RMPIII-PMR-FPS-OR
Purple	RMPIII-PMR-1M-P	RMPIII-PMR-2M-P	RMPIII-PMR-1F-P	RMPIII-PMR-2F-P	RMPIII-PMR-FPS-P
Red	RMPIII-PMR-1M-R	RMPIII-PMR-2M-R	RMPIII-PMR-1F-R	RMPIII-PMR-2F-R	RMPIII-PMR-FPS-R
White	RMPIII-PMR-1M-W	RMPIII-PMR-2M-W	RMPIII-PMR-1F-W	RMPIII-PMR-2F-W	RMPIII-PMR-FPS-W
Yellow	RMPIII-PMR-1M-Y	RMPIII-PMR-2M-Y	RMPIII-PMR-1F-Y	RMPIII-PMR-2F-Y	RMPIII-PMR-FPS-Y





CONNECTIVITY RMPIII SERIES

RMPIII ACCESSORIES AND REPLACEMENT PARTS

RMPIII COUPLERS	
COLOR	CATALOG NUMBER
Black	RMP-CMR-BK
Blue	RMP-CMR-BL
Brown	RMP-CMR-BR
Green	RMP-CMR-G
Gray	RMP-CMR-GY
Orange	RMP-CMR-OR
Purple	RMP-CMR-P
Red	RMP-CMR-R
White	RMP-CMR-W
Yellow	RMP-CMR-Y
Bare Aluminum	RMP-CMR-AL

BULKHEAD MOUNTED COUPLER	
COLOR	CATALOG NUMBER
Black	RMP-BMC-BK
Blue	RMP-BMC-BL
Brown	RMP-BMC-BR
Green	RMP-BMC-G
Gray	RMP-BMC-GY
Orange	RMP-BMC-OR
Purple	RMP-BMC-P
Red	RMP-BMC-R
White	RMP-BMC-W
Yellow	RMP-BMC-Y



RMPIII CONTACTS			PART DESCRIPTION
	CATALOG NUMBER		
	MALE CONTACTS	FEMALE CONTACTS	
—	RMP-C-4/ØM	RMP-C-4/ØF	Cable Size 4/0 MCM Through 777 MCM
—	RMP-C-262M	RMP-C-262F	
—	RMP-C-3M	RMP-C-3F	
—	RMP-C-373M	RMP-C-373F	
—	RMP-C-4M	RMP-C-4F	
—	RMP-C-5M	RMP-C-5F	
—	RMP-C-6M	RMP-C-6F	
—	RMP-C-7M	RMP-C-7F	

GROUNDING RECEPTACLES AND PLUGS	
CATALOG NUMBER	PART DESCRIPTION
RMP-FGP-4	Female Flange Mounted Grounding Plug
RMP-MGR	Male Flange Mounted Grounding Receptacle
RMP-FGR	Female Grounding Receptacle for 5/8 Stud
RMP-MGP-4	Male Grounding Pin for 5/8 Stud

HOUSINGS	
COLOR	CATALOG NUMBER
Black	RMP-PMR-BK
Blue	RMP-PMR-BL
Brown	RMP-PMR-BR
Green	RMP-PMR-G
Gray	RMP-PMR-GY
Orange	RMP-PMR-OR
Purple	RMP-PMR-P
Red	RMP-PMR-R
White	RMP-PMR-W
Yellow	RMP-PMR-Y

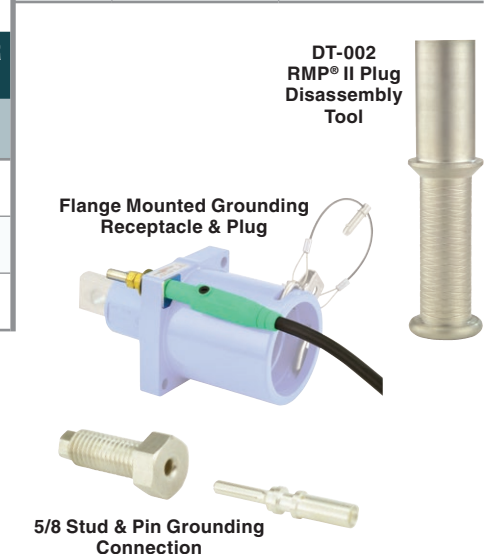
RMPIII INSULATORS			PART DESCRIPTION
COLOR	CATALOG NUMBER		
	MALE INSULATORS	FEMALE INSULATORS	
Black	RMPIII-CMP-M-BK	RMPIII-CMP-F-BK	—
Blue	RMPIII-CMP-M-BL	RMPIII-CMP-F-BL	—
Brown	RMPIII-CMP-M-BR	RMPIII-CMP-F-BR	—
Green	RMPIII-CMP-M-G	RMPIII-CMP-F-G	—
Gray	RMPIII-CMP-M-GY	RMPIII-CMP-F-GY	—
Orange	RMPIII-CMP-M-OR	RMPIII-CMP-F-OR	—
Purple	RMPIII-CMP-M-P	RMPIII-CMP-F-P	—
Red	RMPIII-CMP-M-R	RMPIII-CMP-F-R	—
White	RMPIII-CMP-M-W	RMPIII-CMP-F-W	—
Yellow	RMPIII-CMP-M-Y	RMPIII-CMP-F-Y	—

RMPIII ACCESSORIES	
CATALOG NUMBER	PART DESCRIPTION
DT-002	Insulator Disassemble Tool

DOUBLE HOLE LUGS	
CATALOG NUMBER	PART DESCRIPTION
QS-535-L	535 MCM Double Hole Lug
QS-646-L	646 MCM Double Hole Lug
QS-777-L	777 MCM Double Hole Lug

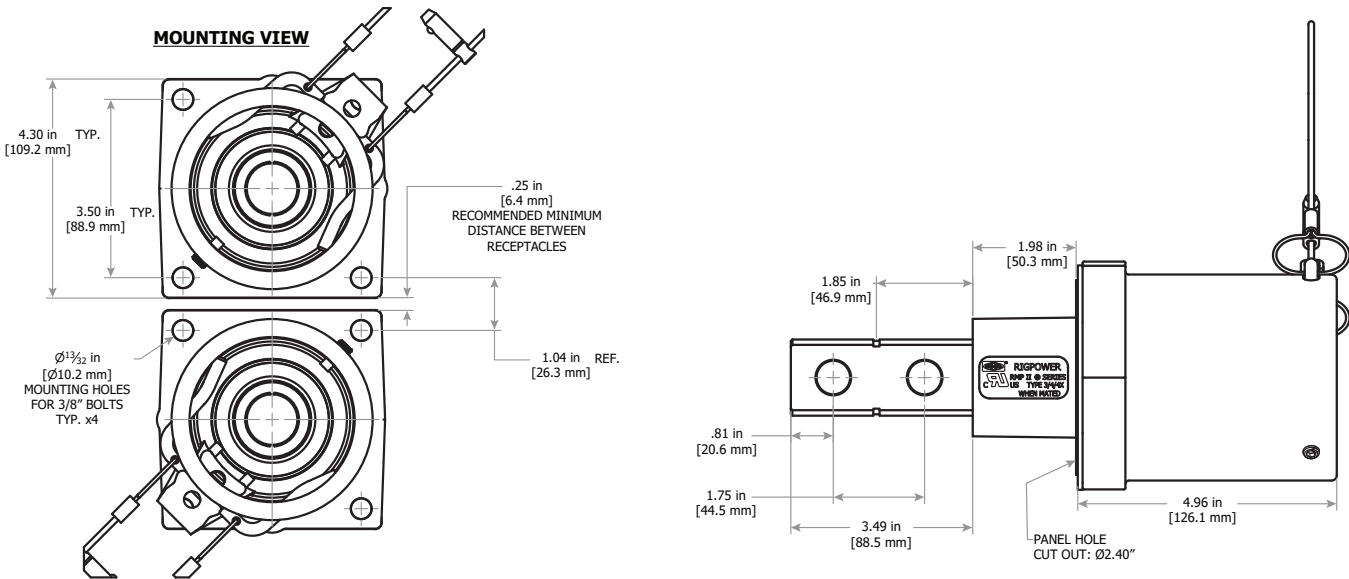
RMPIII ACCESSORIES		
COLOR	CATALOG NUMBER	PART DESCRIPTION
Yellow Only	RMP-LOC-Y	Lockout/Tagout Plug Cap
X = Color	RMP-LOS-X	Single Pad Lock

30°-45° REVERSIBLE LOCKING BUSS BAR LUGS	
CATALOG NUMBER	PART DESCRIPTION
SL-535-AL	535 MCM 30°/45° Reversible Locking Buss Bar Lug
SL-646-AL	646 MCM 30°/45° Reversible Locking Buss Bar Lug
SL-777-AL	777 MCM 30°/45° Reversible Locking Buss Bar Lug

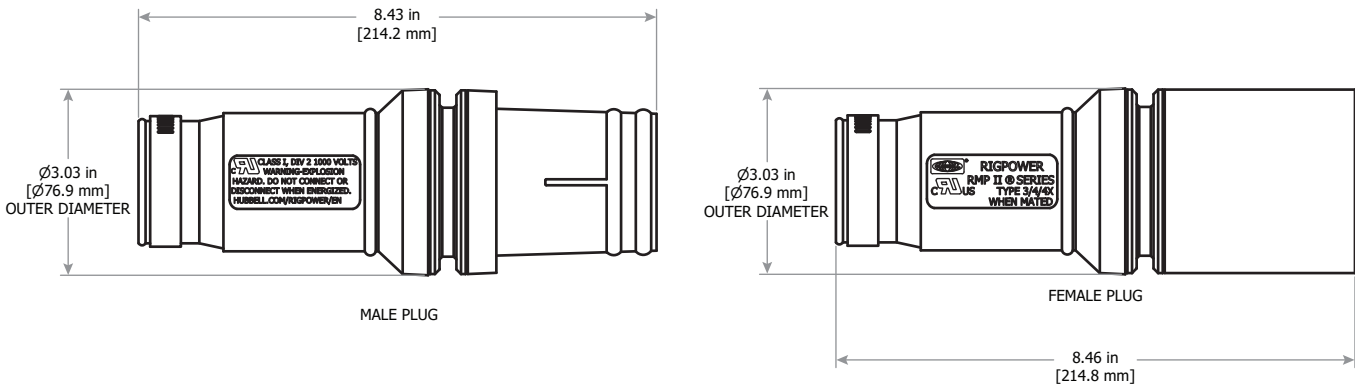




PANEL MOUNTED RECEPTACLE (PMR) MOUNTING DIMENSIONS



CABLE MOUNTED PLUG (CMP) DIMENSIONS

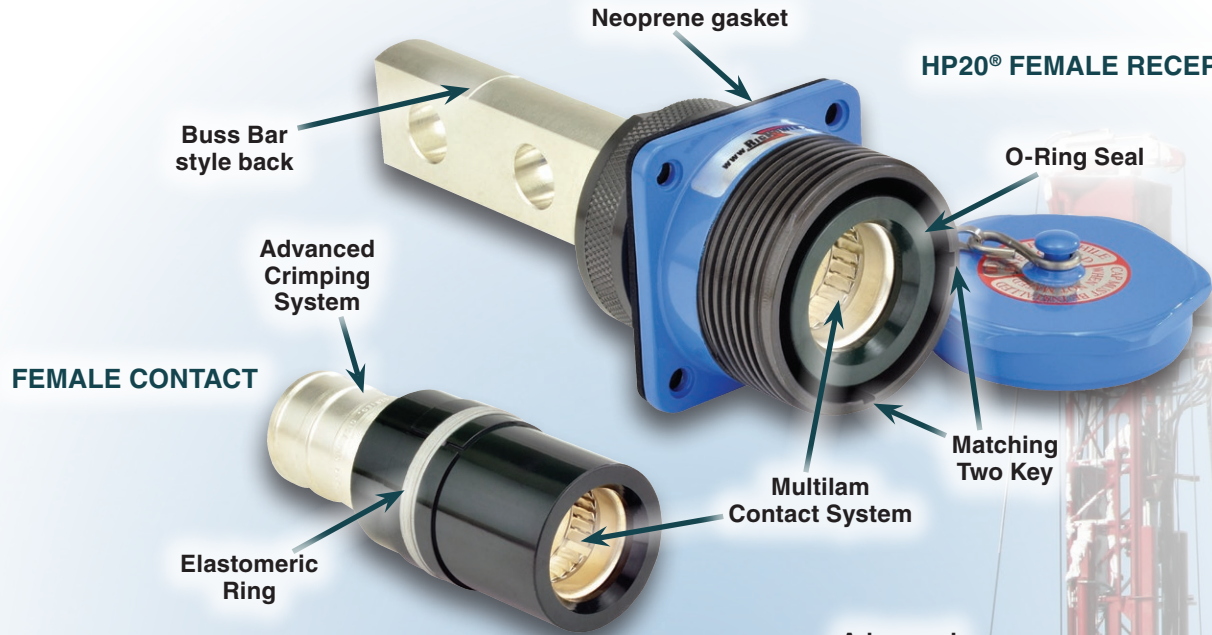




CONNECTIVITY HP20® SERIES

HP20® SERIES RECEPTACLES

HP20® FEMALE RECEPTACLE



HP20® MALE RECEPTACLE



HP20® CABLE ADAPTOR WITH INTERNAL INSULATING SLEEVE

HP20® INTERNAL MYLAR INSULATING SLEEVE





HP20® SERIES RECEPTACLES



1000 Volts AC/DC
 400-1135 Amps
 Class I, Div. 2, Groups A, B, C, D



File No. E489255

HP20® Series
 Male Panel Mounted Receptacle

HP20® Series
 Female Panel Mounted Receptacle

FEATURES-SPECIFICATIONS

Features

- Single Pole Power Connectors
- Available in up to 10 Colors, for Phase-Specific Color Coding
- Available in Panel Mount Receptacles, Cable-Mounted Plugs, Cable Mounted Receptacles, and In-Line Fixed Receptacles
- Available in Male and Female Insert Configurations
- Easy, High-Strength Cable Termination, using Crimp/Die Sets
- Double-lead ACME Threads for rapid and secure connections.
- Multilam Contact System permits ease of insertion and withdrawal, made via a large number of current carrying contact points.
- Male Plugs and Receptacles have a dead front contact tip to help protect operators from shock hazard.
- Elastomeric Ring sealing ring allows for smaller shell/connector size, while allowing for the same high amperage/voltage ratings and up to 777 MCM cable size used by similar connectors.

Materials:

- Buss Bar and Contacts = High Conductivity, Sn-coated Copper
- Gasket = Neoprene
- Receptacle Body = Anodized Aluminum
- Receptacle Cap = Powder Coated Aluminum
- Receptacle Cap Chain = Stainless Steel
- O-Ring Seals = Nitrile Rubber

Electrical Ratings:

- Amperage = Up to 1100 Amps
- Voltage = Up to 1000 VAC/VDC

HP20® PANEL MOUNT RECEPTACLES – Ordering Format: HP20-(1)-(2)			
(1) RECEPTACLE GENDER		(2) COLOR	
CATALOG NUMBER	DESCRIPTION	CATALOG NUMBER	DESCRIPTION
MBR	Male Double Hole Buss Bar Panel Mount Receptacle	BK	Black
FBR	Female Double Hole Buss Bar Panel Mount Receptacle	BL	Blue
		BR	Brown
		G	Green
		GY	Gray
		OR	Orange
		P	Purple
		R	Red
		W	White
		Y	Yellow



CONNECTIVITY
HP20® SERIES

HP20® SERIES PLUGS



*Kellems®, is a Registered Trademark of Hubbell Inc.



HP20® SERIES PLUGS



HP20® Male Plug

HP20® Female Plug

1000 Volts AC/DC
 400-1135 Amps
 Class 1 Div.2 (Canada Only)



FEATURES-SPECIFICATIONS

Features:

- Single Pole Power Connectors
- Available in up to 10 Colors, for Phase-Specific Color Coding
- Available in Panel Mount Receptacles, Cable-Mounted Plugs, Cable Mounted Receptacles, and In-Line Fixed Receptacles
- Available in Male and Female Insert Configurations
- Easy, High-Strength Cable Termination, using Crimp/Die Sets
- Double-lead ACME Threads for rapid and secure connections.
- Multilam Contact System permits ease of insertion and withdrawal, made via a large number of current carrying contact points.
- Male Plugs and Receptacles have a dead front contact tip to help protect operators from shock hazard.
- Elastomeric Ring sealing ring allows for smaller shell/connector size, while allowing for the same high amperage/voltage ratings and up to 777 MCM cable size used by similar connectors.

Materials:

- Buss Bar and Contacts = High Conductivity, Sn-coated Copper
- Gasket = Neoprene
- Plug Body = Anodized Aluminum
- Plug Cap = Powder Coated Aluminum
- Plug Cap Chain = Stainless Steel
- O-Ring Seals = Nitrile Rubber

Electrical Ratings:

- Amperage = Up to 1100 Amps
- Voltage = Up to 1000 VAC/VDC

*Kellems®, is a Registered Trademark of Hubbell Inc.

HP20® PLUGS, IN-LINE RECEPTACLES & FIXED CABLE RECEPTACLES – Ordering Format: HP20-(1)-(2)-(3)-(4)-(5)					
(1) MALE & FEMALE CONTACT SIZE	(2) STYLE OF PLUG CASING	(3) GROMMET	(4) MECHANICAL CLAMP	(5) COLOR	
Male	P = Plug OR	16 = 0.870 - 1.000	M = Mechanical Clamp OR	BK = Black	
4/0M = 4/0 Male Contact		18 = 1.000 - 1.125		K16 = #16 (0.875 - 1.000)	BL = Blue
3M = 313 Male Contact	IR = In-Line Receptacle OR	20 = 1.125 - 1.250	K18 = #18 (1.000 - 1.125)	BR = Brown	
4M = 444 Male Contact		22 = 1.250 - 1.375		K20 = #20 (1.125 - 1.250)	G = Green
5M = 535 Male Contact		24 = 1.375 - 1.500		K22 = #22 (1.250 - 1.375)	GY = Gray
6M = 646 Male Contact		FCR = Fixed Cable Receptacle		Kellems Grip	K24 = #24 (1.375 - 1.500)
7M = 777 Male Contact					P = Purple
Female					R = Red
4/0F = 4/0 Female Contact				W = White	
3F = 313 Female Contact				Y = Yellow	
4F = 444 Female Contact					
5F = 535 Female Contact					
6F = 646 Female Contact					
7F = 777 Female Contact					



CONNECTIVITY
HP20® SERIES

HP20® SERIES FIXED CABLE AND IN-LINE RECEPTACLE CONNECTIONS

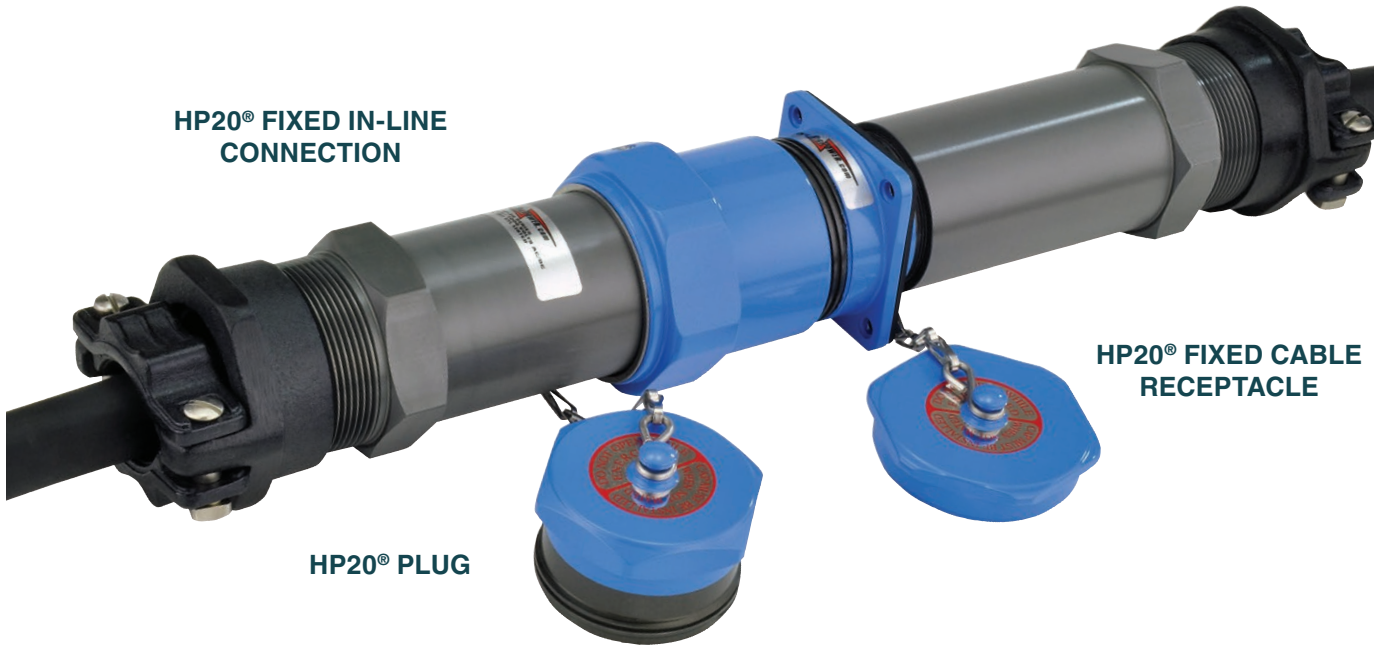
HP20® MALE FIXED CABLE RECEPTACLE



*Kellems®, is a Registered Trademark of Hubbell Inc.



IN-LINE RECEPTACLE CONNECTIONS



HP20® FIXED IN-LINE CONNECTION

HP20® FIXED CABLE RECEPTACLE

HP20® PLUG



HP20® IN-LINE CONNECTION

HP20® IN-LINE RECEPTACLE

HP20® PLUG



CONNECTIVITY HP20® SERIES

ACCESSORIES



Mechanical Clamp

Has a dual holding pattern. One size for larger cables, reverse it and it accommodates smaller cables more effectively.

Kellems® Grip

Also available for extra protection from high tensile loads on cables.

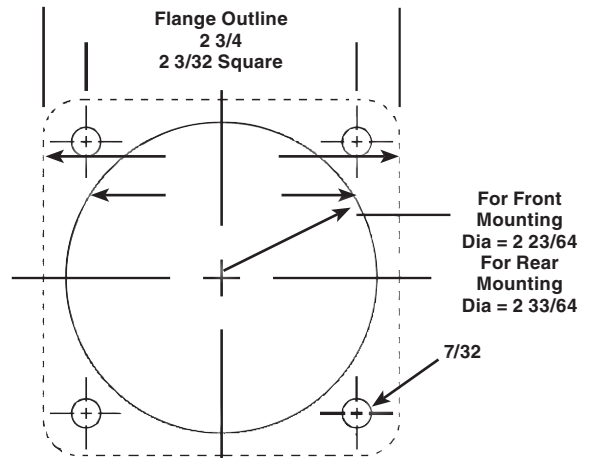


30° – 45° Reversible Locking Buss Bar Lug

The small footprint of the HP20® panel mounted receptacles, combined with the RigPower exclusive locking lug allows the designed to combine a small footprint on the panel with short radius cable bends behind the panel while ensuring that shock or vibration loads will not loosen the plug to buss bar connection



CABLE AMPACITY RATINGS IN 40° AMBIENT		
CABLE SIZE	90°C CABLE	125°C CABLE
4/0 MCM	364 AMPS	451 AMPS
313 MCM	513 AMPS	636 AMPS
373 MCM	548 AMPS	669 AMPS
444 MCM	642 AMPS	796 AMPS
535 MCM	724 AMPS	898 AMPS
646 MCM	814 AMPS	1009 AMPS
777 MCM	916 AMPS	1135 AMPS



ORDERING TABLE FOR HP20® SINGLE POLE POWER CONNECTORS – (Rated for 1000 Volts / 1135 Amps)

RIGPOWER HP20® SERIES SINGLE POLE – SPARE PARTS

PART NUMBER	PART DESCRIPTION	PART NUMBER	MALE PART DESCRIPTION
G16-20	Grommet #16 (0.875 - 1.000)	HP20-4/0M	HP20 - 4/0 Male Contact w/Insulator
G18-20	Grommet #18 (1.000 - 1.125)	HP20-2M	HP20 - 373 Male Contact w/Insulator
G20-20	Grommet #20 (1.125 - 1.250)	HP20-3M	HP20 - 313 Male Contact w/Insulator
G22-20	Grommet #22 (1.250 - 1.375)	HP20-4M	HP20 - 444 Male Contact w/Insulator
G24-20	Grommet #24 (1.375 - 1.500)	HP20-5M	HP20 - 535 Male Contact w/Insulator
GW24-20	Grommet Washer #24 (for #20 Shell)	HP20-6M	HP20 - 646 Male Contact w/Insulator
K16-20	Kellems Grip #16 (0.875 - 1.000)	HP20-7M	HP20 - 777 Male Contact w/Insulator
K18-20	Kellems Grip #18 (1.000 - 1.125)	HP20-MBB	HP20 - Male Buss Bar w/Insulator
K20-20	Kellems Grip #20 (1.125 - 1.250)	PART NUMBER	FEMALE PART DESCRIPTION
K22-20	Kellems Grip #22 (1.250 - 1.375)	HP20-4/0F	HP20 - 4/0 Female Contact w/Insulator
K24-20	Kellems Grip #24 (1.375 - 1.500)	HP20-2F	HP20 - 373 Female Contact w/Insulator
MC24-20	Mechanical Clamp #24 (for #20 Shell)	HP20-3F	HP20 - 313 Female Contact w/Insulator
		HP20-4F	HP20 - 444 Female Contact w/Insulator
		HP20-5F	HP20 - 535 Female Contact w/Insulator
		HP20-6F	HP20 - 646 Female Contact w/Insulator
		HP20-7F	HP20 - 777 Female Contact w/Insulator
		HP20-FBB	HP20 - Female Buss Bar w/Insulator
PART NUMBER	THE 30°/45° REVERSIBLE LOCKING BUSS BAR LUG	PART NUMBER	DOUBLE HOLE LUGS
SL-535-AL	535 MCM 30°/45° Reversible Locking Buss Bar Lug	QS-535-L	Quick/Quad Stab Double Hole 535 Lug
SL-646-AL	646 MCM 30°/45° Reversible Locking Buss Bar Lug	QS-646-L	Quick/Quad Stab Double Hole 646 Lug
SL-777-AL	777 MCM 30°/45° Reversible Locking Buss Bar Lug	QS-777-L	Quick/Quad Stab Double Hole 777 Lug



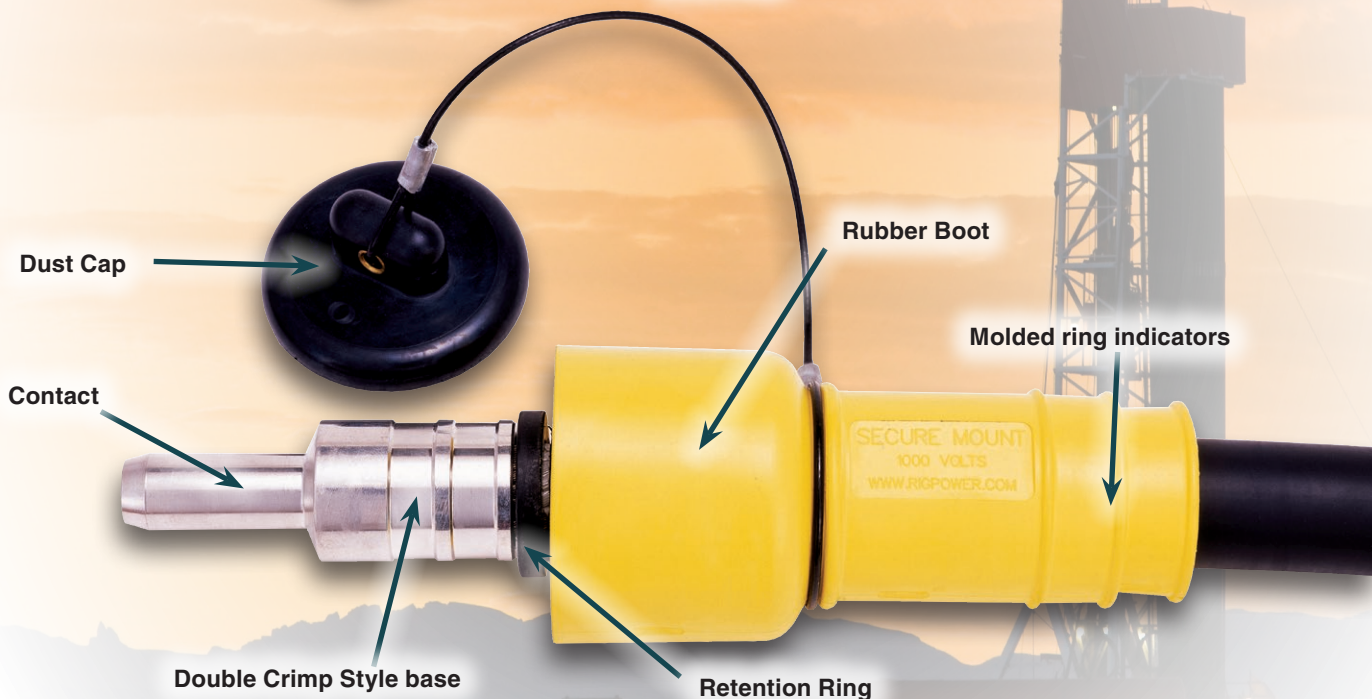
CABLE GROMMET

Has a tapered fit to the cable adapter and is available in fourteen sizes to ensure a proper water tight seal to the cable.

*Kellems®, is a Registered Trademark of Hubbell Inc.



INDUSTRY FEATURES AND BENEFITS



Available Colors

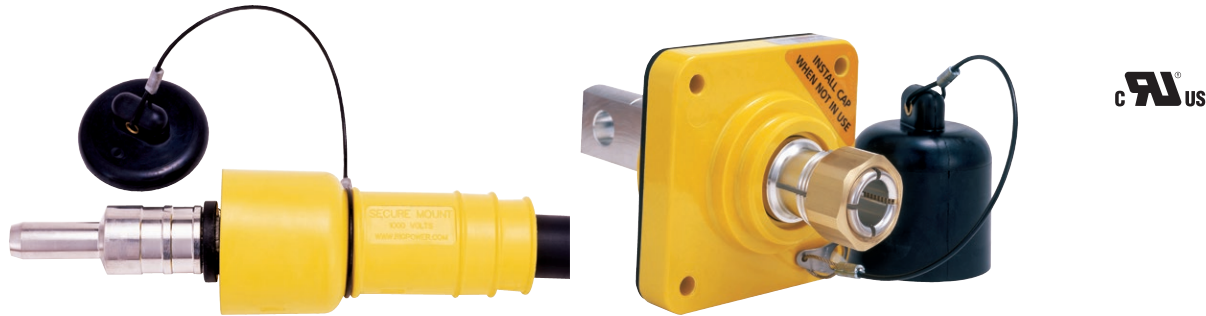
Delrin® is a registered trademark of DuPont.

WARNING: The RigPower Secure Mount® series 646 and 777 contacts are designed for higher amperage loads than other panel board sockets can handle. Use these two contact sizes only with Secure Mount® Receptacles (only in red).



CONNECTIVITY
SECURE MOUNT® SERIES

INDUSTRY FEATURES AND BENEFITS



FEATURES-SPECIFICATIONS

Features

- Single Pole Power Connectors
- Available in up to 10 Colors, for Phase-Specific Color Coding
- Available in Panel Mount Receptacles and Cable-Mounted Plugs.
- Easy, High-Strength Cable Termination, using Crimp/Die Sets
- Items suitable for installation directly to stainless or aluminum panel without requirement for additional insulating material.
- Comes standard with Insulating Boot and Dust Cap.
- Molded Ring Indicators on plug are designed to be cut to accommodate cable sizes from 313 MCM to 777 MCM.

Materials

- Busbar and Contacts = High Conductivity, Sn-Coated Copper
- Boot = Thermoset Rubber
- Dust Cap = Black Neoprene

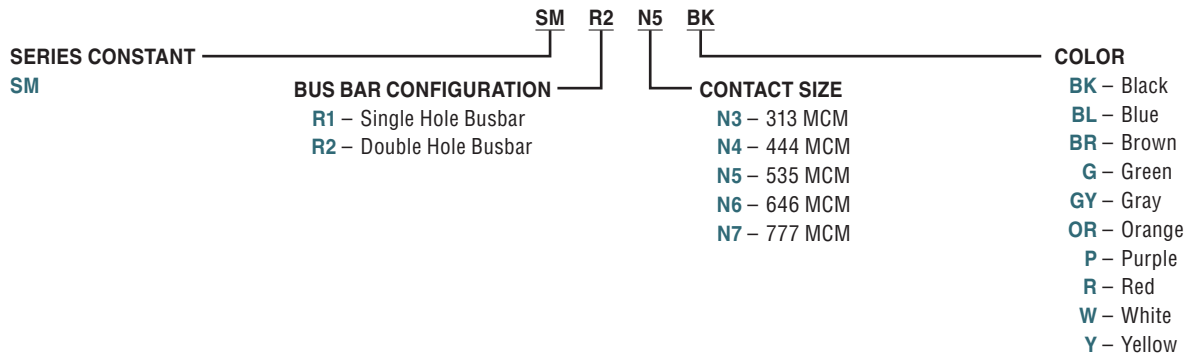
Electrical Ratings

- Amperage = Up to 1100 Amps
- Voltage = Up to 1000 VAC/VDC

AMPACITY RATINGS IN 40° AMBIENT		
CABLE SIZE	90°	125°
313 MCM	513 AMPS	636 AMPS
444 MCM	642 AMPS	796 AMPS
535 MCM	724 AMPS	898 AMPS
646 MCM	814 AMPS	1009 AMPS
777 MCM	916 AMPS	1135 AMPS



CATALOG LOGIC / PARTS LIST



SECURE MOUNT® COMPLETE SET – SINGLE HOLE RECEPTACLE & CABLE END ASSEMBLIES

A complete set includes: (1) Single Hole Receptacle w/Gasket, Protective Cap and Brass Nut, (1) Contact - size of your choice, (1) Insulating Boot w/Cap and Boot Retention Ring

COLOR	313 CONTACT	444 CONTACT	535 CONTACT	646 CONTACT	777 CONTACT
Black	SM-R1-N3-BK	SM-R1-N4-BK	SM-R1-N5-BK	SM-R1-N6-BK	SM-R1-N7-BK
Blue	SM-R1-N3-BL	SM-R1-N4-BL	SM-R1-N5-BL	SM-R1-N6-BL	SM-R1-N7-BL
Brown	SM-R1-N3-BR	SM-R1-N4-BR	SM-R1-N5-BR	SM-R1-N6-BR	SM-R1-N7-BR
Green	SM-R1-N3-G	SM-R1-N4-G	SM-R1-N5-G	SM-R1-N6-G	SM-R1-N7-G
Gray	SM-R1-N3-GY	SM-R1-N4-GY	SM-R1-N5-GY	SM-R1-N6-GY	SM-R1-N7-GY
Orange	SM-R1-N3-OR	SM-R1-N4-OR	SM-R1-N5-OR	SM-R1-N6-OR	SM-R1-N7-OR
Purple	SM-R1-N3-P	SM-R1-N4-P	SM-R1-N5-P	SM-R1-N6-P	SM-R1-N7-P
Red	SM-R1-N3-R	SM-R1-N4-R	SM-R1-N5-R	SM-R1-N6-R	SM-R1-N7-R
White	SM-R1-N3-W	SM-R1-N4-W	SM-R1-N5-W	SM-R1-N6-W	SM-R1-N7-W
Yellow	SM-R1-N3-Y	SM-R1-N4-Y	SM-R1-N5-Y	SM-R1-N6-Y	SM-R1-N7-Y

SECURE MOUNT® COMPLETE SET – DOUBLE HOLE RECEPTACLE & CABLE END ASSEMBLIES

A Complete Set includes: (1) Double Hole Receptacle w/Gasket, Protective Cap, and Brass Nut, (1) Contact - Size of your choice, (1) Insulating Boot w/Cap and Boot Retention Ring

COLOR	313 CONTACT	444 CONTACT	535 CONTACT	646 CONTACT	777 CONTACT
Black	SM-R2-N3-BK	SM-R2-N4-BK	SM-R2-N5-BK	SM-R2-N6-BK	SM-R2-N7-BK
Blue	SM-R2-N3-BL	SM-R2-N4-BL	SM-R2-N5-BL	SM-R2-N6-BL	SM-R2-N7-BL
Brown	SM-R2-N3-BR	SM-R2-N4-BR	SM-R2-N5-BR	SM-R2-N6-BR	SM-R2-N7-BR
Green	SM-R2-N3-G	SM-R2-N4-G	SM-R2-N5-G	SM-R2-N6-G	SM-R2-N7-G
Gray	SM-R2-N3-GY	SM-R2-N4-GY	SM-R2-N5-GY	SM-R2-N6-GY	SM-R2-N7-GY
Orange	SM-R2-N3-OR	SM-R2-N4-OR	SM-R2-N5-OR	SM-R2-N6-OR	SM-R2-N7-OR
Purple	SM-R2-N3-P	SM-R2-N4-P	SM-R2-N5-P	SM-R2-N6-P	SM-R2-N7-P
Red	SM-R2-N3-R	SM-R2-N4-R	SM-R2-N5-R	SM-R2-N6-R	SM-R2-N7-R
White	SM-R2-N3-W	SM-R2-N4-W	SM-R2-N5-W	SM-R2-N6-W	SM-R2-N7-W
Yellow	SM-R2-N3-Y	SM-R2-N4-Y	SM-R2-N5-Y	SM-R2-N6-Y	SM-R2-N7-Y



CONNECTIVITY

SECURE MOUNT® SERIES

PARTS LIST

SECURE MOUNT® RECEPTACLE

Each Single and Double Hole Receptacle includes: (1) Receptacle w/Protective Cap, (1) Gasket, (1) Brass Nut

SINGLE HOLE	COLOR	DOUBLE HOLE
SM-R1-N-BK	Black	SM-R2-N-BK
SM-R1-N-BL	Blue	SM-R2-N-BL
SM-R1-N-BR	Brown	SM-R2-N-BR
SM-R1-N-G	Green	SM-R2-N-G
SM-R1-N-GY	Gray	SM-R2-N-GY
SM-R1-N-OR	Orange	SM-R2-N-OR
SM-R1-N-P	Purple	SM-R2-N-P
SM-R1-N-R	Red	SM-R2-N-R
SM-R1-N-W	White	SM-R2-N-W
SM-R1-N-Y	Yellow	SM-R2-N-Y

SECURE MOUNT® INSULATING BOOTS

COLOR	INSULATING BOOT WITH BOOT CAP	INSULATING BOOT WITHOUT BOOT CAP
Black	SM-B-BK	SM-BNC-BK
Blue	SM-B-BL	SM-BNC-BL
Brown	SM-B-BR	SM-BNC-BR
Green	SM-B-G	SM-BNC-G
Gray	SM-B-GY	SM-BNC-GY
Orange	SM-B-OR	SM-BNC-OR
Purple	SM-B-P	SM-BNC-P
Red	SM-B-R	SM-BNC-R
White	SM-B-W	SM-BNC-W
Yellow	SM-B-Y	SM-BNC-Y

SECURE MOUNT® CABLE END PLUG ASSEMBLIES

A Cable End Assembly includes: (1) Contact – Size of Your Choice, (1) Insulating Boot, (1) Boot Cap and (1) Boot Retention Ring

COLOR	313 CONTACT	444 CONTACT	535 CONTACT	646 CONTACT	777 CONTACT
Black	SM-SBA-3-BK	SM-SBA-4-BK	SM-SBA-5-BK	SM-SBA-6-BK	SM-SBA-7-BK
Blue	SM-SBA-3-BL	SM-SBA-4-BL	SM-SBA-5-BL	SM-SBA-6-BL	SM-SBA-7-BL
Brown	SM-SBA-3-BR	SM-SBA-4-BR	SM-SBA-5-BR	SM-SBA-6-BR	SM-SBA-7-BR
Green	SM-SBA-3-G	SM-SBA-4-G	SM-SBA-5-G	SM-SBA-6-G	SM-SBA-7-G
Gray	SM-SBA-3-GY	SM-SBA-4-GY	SM-SBA-5-GY	SM-SBA-6-GY	SM-SBA-7-GY
Orange	SM-SBA-3-OR	SM-SBA-4-OR	SM-SBA-5-OR	SM-SBA-6-OR	SM-SBA-7-OR
Purple	SM-SBA-3-P	SM-SBA-4-P	SM-SBA-5-P	SM-SBA-6-P	SM-SBA-7-P
Red	SM-SBA-3-R	SM-SBA-4-R	SM-SBA-5-R	SM-SBA-6-R	SM-SBA-7-R
White	SM-SBA-3-W	SM-SBA-4-W	SM-SBA-5-W	SM-SBA-6-W	SM-SBA-7-W
Yellow	SM-SBA-3-Y	SM-SBA-4-Y	SM-SBA-5-Y	SM-SBA-6-Y	SM-SBA-7-Y

SECURE MOUNT® CONTACTS

CABLE SIZE	Contacts without Boot Retention Ring		Contact with Boot Retention Ring	
	PART #		PART #	
313 MCM Through 777 MCM	SM-SC-313		SM-SC-313-R	
	SM-SC-444		SM-SC-444-R	
	SM-SC-535		SM-SC-535-R	
	SM-SC-646		SM-SC-646-R	
	SM-SC-777		SM-SC-777-R	

Secure Mount® Field Installation/Repair Kit

Applications

This kit is designed to allow quick and easy field replacement of a PD-501 style connector with a Secure Mount® connector. The Kit contains enough supplies to field mount five Secure Mounts® in an existing panel.

Features

- No replacement of insulating board is required, even damaged boards can be saved
- No need to remove adjacent undamaged connectors from insulation board
- Save cost, labor and downtime when field repairs are necessary

KIT CONTENTS

Kit contains parts to field mount five Secure Mount® Receptacles.

1. Five Tapered wooden plugs
2. One 3 and 3/4 inch diameter carbide tipped hole saw
3. Twenty sets of mounting bolts
4. Five adhesive drilling templates
5. Complete instructions



PART #	PART DESCRIPTION	PACK SIZE
SM-FRK	Secure Mount® Field Installation/Repair Kit	1





CABLE REPAIR SPLICE KITS



CS Double Lap Style Splice Kit

DS-350 Double Set Screw Splice Kit

FEATURES-SPECIFICATIONS

CS Double Lap Style Splice Kit

The CS Double Lap Style splice kits are designed for repair of a damaged or cut cable or for extending the length of a cable in the field. They are available for 535, 646 and 777 MCM wire. These splice connectors have been designed to operate safely at 1,000 volts AC or DC. The resulting splice will be no larger in diameter than a 777 cable.

Different size cables may be joined by using mismatched splice kit ends. This feature is useful where existing cable must be extended or long section needs to be replaced. A section of larger cable can be added to provide adequate protection from voltage drop or used to reduce the cable inventory carried for repairs. Note that the current rating will be controlled by the smaller cable size.

The individual splice halves may be crimped on to the cable at ground level then assembled high in a cable tray or passed through a cable gland and assembled inside a junction box.

DS-350 Double Set Screw Splice Kit

The DS-350 Double Set Screw splice kits are designed for repair of a damaged or cut cable or for extending the length of a cable in the field. They fit 350 to 500 MCM wire. These splice connectors have been designed to operate safely at 1,000 volts AC or DC.

Different size cables may be joined by using the DS-350 splice kit. This feature is useful where existing cable must be extended or long sections need to be replaced. A section of larger cable can be added to provide adequate protection from voltage drop or used to reduce the cable inventory carried for repairs. The current rating will be controlled by the smaller cable size.

The splices can be assembled with simple hand tools and hydraulic crimping equipment is not needed. Insulation retention feature prevents the insulation from slipping down

the conductor when under strain and the pull-out strength exceeds the breaking strength of the cable.

Features

- For making permanent or semi-permanent field connections of cable ends
- Safe for direct burial applications
- Can be used to join different sizes of cable for emergency field repairs

CS Double Lap Style Splice Kit

- Small enough to pass through cable glands
- Excellent for making secure connections inside explosion proof junction boxes
- Allows easy access to cable ends for secure crimp connections
- Safe and quick joining of splice ends in restricted spaces

DS-350 Double Set Screw Splice Kit

- The DS-350 allows easy, yet secure, connection of cable ends with only hand tools.
- Excellent when crimping tools are not available.
- Insulation retention ties prevent slippage of insulation on cable.

Materials

- Splice Bodies
- Removable Boot insulator is held in place by two stainless hose clamps which provides moisture resistance protection

CS Double Lap Style Splice Kit

- Sn Plated Copper with Stainless Steel Helicoil Threaded Inserts

DS-350 Double Set Screw Splice Kit

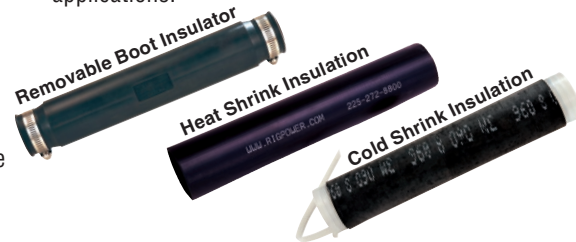
- Sn Plated Brass with Stainless Steel Locking Screws
- 545 amps maximum continuous 1,000 volts AC or DC (as limited by cable)

Insulator Options

The insulation is available in three styles: Heat Shrink, Cold Shrink, or a Removable Boot. The heat shrink provides the best sealing and allows direct underground burial. The cold shrink and removable boot provide NEMA 3 sealing.

3M™ Cold Shrink Connector Insulation is an open-ended, tubular, rubber sleeve which is factory expanded and assembled onto a removable core. The core is removed after the tube has been positioned for installation over an In-line connection, terminal lugs, etc., allowing the tube to shrink and form a water-resistant seal. The insulation tube is made of EPDM rubber which contains no chlorides or sulfur.

Flame retardant heavy wall tubing meets MIL Spec 23053/15 Class I requirements for flame retardancy. UL listed 486 D Standard and CSA certified for direct burial applications.



CS DOUBLE LAP STYLE SPLICE KIT			
CONTACT SIZE	REMOVABLE BOOT	HEAT SHRINK	COLD SHRINK
444	CS-444-B	CS-444-H	CS-444-C
535	CS-535-B	CS-535-H	CS-535-C
646	CS-646-B	CS-646-H	CS-646-C
777	CS-777-B	CS-777-H	CS-777-C

NOTE: Different size cables may be joined by using mismatched splice kit ends; however the current rating will be controlled by the smaller cable size.

DS-350 DOUBLE SET SCREW SPLICE KIT			
CABLE SIZE	REMOVABLE BOOT	HEAT SHRINK	COLD SHRINK
313 - 500	DS-350-B	DS-350-H	DS-350-C



NOTES

Horizontal lines for taking notes.



DISTRIBUTION EQUIPMENT TABLE OF CONTENTS



XEC Series
 Circuit Breakers..... 2-3



B7L Series
 Lighting Panelboards 21-24



B7C Series
 Prism Circuit Breakers 4-7



D2LC/D2PC Series
 Factory Sealed Panelboards 25-30



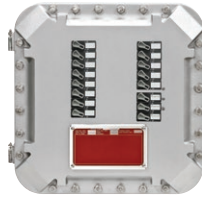
DEDS Series
 Disconnect Switches
 3 Pole/Non-Fusible..... 8-9



EXPB2 & 3 Series
 Power Panelboards 31-39



XEDS Series
 Disconnect Switches
 3 Pole/Non-Fusible..... 10-11



EXBLI/EXBSPI Series
 IEC Circuit Breaker Panelboards 40-45



B7NFD Series
 Compact Non-Fused
 Disconnect Switches..... 12-13



GFCS Series
 Ground Fault Control Station 46-47



EXBLTP Series
 Fused and Non-Fused Disconnect Switches
 3 Pole Non-Fusible & Fusible..... 14-17



Custom Solutions 48-49



EXB-NFD, EXB-FDS Series
 Disconnect Switches
 3 Pole Non-Fusible & Fusible..... 18-20



CIRCUIT BREAKER ENCLOSURES



Class I, Div. 1 & 2, Groups C,D
Class I, Zones 1 & 2, Groups IIB, IIA
Class II, Div. 1 & 2, Groups E, F, G
Class III
TYPE 7 (C, D) 9 (E, F, G)

 LISTED - File E30962 Indoor Rated

 Certified - File LR18179

FEATURES-SPECIFICATIONS

Features

- Rectangular bolted cover design provides for attractive, compact, uniform installations
- Two cast conduit hubs; one top and one bottom
- Internal circuit breaker handle mechanism is a sliding plate type mounted to the cover
- External handle is vault type with standard provisions for locking in "OFF" position with up to three padlocks
- Provisions for locking in "ON" position available as factory modification (add suffix SU40 to catalog number)
- Circuit breaker is trip free of handle mechanism
- Locking in the "ON" position does not prevent the circuit breaker from opening under short circuit or overload conditions

Materials

- Enclosure and external circuit breaker handle is cast copper-free aluminum alloy (less than 1/10 of 1%)
- Cover bolts are stainless steel
- Aluminum lacquer paint finish is standard

Electrical Ratings

- 600VAC, 2 and 3 Pole, 50/60Hz

DISTRIBUTION EQUIPMENT
XEC SERIES



XEC CIRCUIT BREAKERS					
CATALOG NUMBER					TRIP AMPS
EHD FRAME			FDB FRAME		
1-POLE 277 VAC 125 VDC	2-POLE 240/480 VAC 250 VDC	3-POLE 240/480 VAC —	2-POLE 600 VAC 250 VDC	3-POLE 600 VAC	
XECD-154A1	XECD-154A2	XECE-154A3	XECE-156A2	XECE-156A3	15
XECD-204A1	XECD-204A2	XECE-204A3	XECE-206A2	XECE-206A3	20
XECD-304A1	XECD-304A2	XECE-304A3	XECE-306A2	XECE-306A3	30
XECD-404A1	XECD-404A2	XECE-404A3	XECE-406A2	XECE-406A3	40
XECF-504A1	XECF-504A2	XECF-504A3	XECF-506A2	XECF-506A3	50
XECF-604A1	XECF-604A2	XECF-604A3	XECF-606A2	XECF-606A3	60
XECF-704A1	XECF-704A2	XECF-704A3	XECF-706A2	XECF-706A3	70
XECF-804A1	XECF-804A2	XECF-804A3	XECF-806A2	XECF-806A3	80
XECF-904A1	XECF-904A2	XECF-904A3	XECF-906A2	XECF-906A3	90
XECF-1004A1	XECF-1004A2	XECF-1004A3	XECF-1006A2	XECF-1006A3	100
ENCLOSURE ONLY					
XECD-4A	XECD-4A	XECE-6A	XECE-6A	XECE-6A	For 40 Amp or less
XECF-6A	XECF-6A	XECF-6A	XECF-6A	XECF-6A	For 50-100 Amp

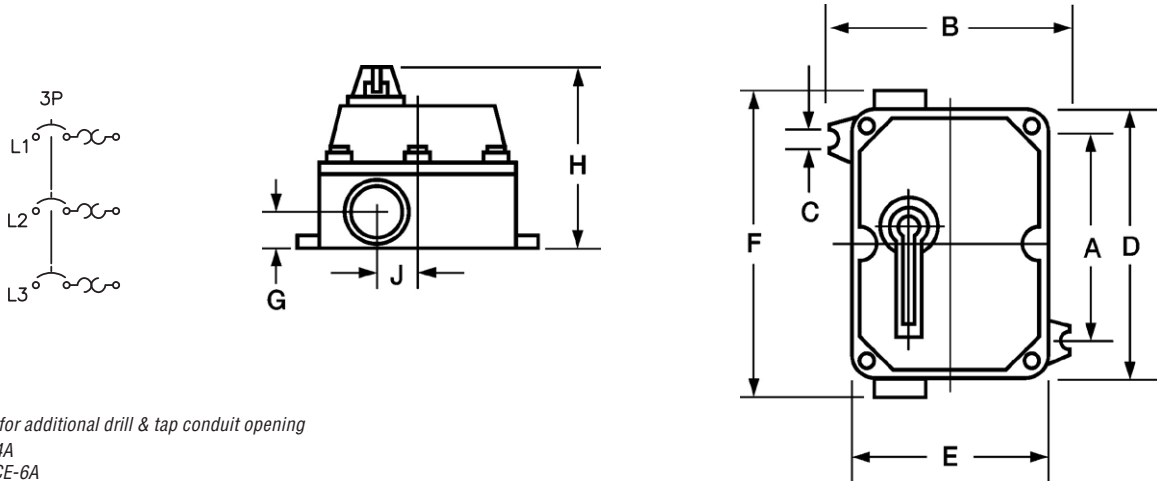
MODIFICATIONS	
SUFFIX NUMBER	DESCRIPTION
SU3	Drain and breather
SU40	Lock "ON"

NOTE: Only Cutler-Hammer Series "C" breakers fit this series. See B7C series on page DE4-7 for other brands.

ELECTRICAL RATINGS INTERRUPTING CAPACITY			
FRAME	VOLTS	AMPS SYMMETRICAL	AMPS D.C.
EHD 15-100 AMPS	240 VAC	18,000	—
	277 VAC	14,000	—
	480 VAC	14,000	—
	250 VDC	—	10,000
FDB 15-150 AMPS	240 VAC	18,000	—
	480 VAC	14,000	—
	600 VAC	14,000	—
	250 VDC	—	10,000

XEC DIMENSIONS											
CATALOG NUMBER	HUB SIZE	A	B	C	D	E	F	G	H	J	EST. ENCL. WT. LBS (KG)
XECD-4A	1"	8-3/8" (213)	7-7/16" (189)	13/16" (21)	10-1/4" (260)	6" (152)	11-7/8" (302)	1-3/8" (35)	6-7/8" (175)	1-1/2" (38)	10.50 (4.76)
XECE-6A	1-1/4"	8-3/8" (213)	8-3/4" (222)	13/16" (21)	10-1/4" (260)	7-3/8" (187)	11-7/8" (302)	1-3/8" (35)	6-7/8" (175)	2" (51)	16.15 (7.32)
XECF-6A	2"	10-7/8" (276)	9-1/8" (232)	13/16" (21)	13-7/8" (352)	7-3/4" (197)	16" (406)	1-3/4" (44)	7" (178)	2" (51)	20.00 (9.07)

DIMENSIONS





NOTE: Space for additional drill & tap conduit opening
 1" for XECD-4A
 1-1/4" for XECE-6A
 2" for XECF-6A
 Also is location for drain and breather when requested.



CIRCUIT BREAKER ENCLOSURES

PRISM[®]

Class I, Div. 1 & 2, Groups B, C, D
Class I, Zones 1 & 2, Groups IIB+H2, IIA
Class II, Div. 1 & 2, Groups E, F, G
Class III, Div. 1 & 2
TYPE 3, 4, 4x, 7 (B, C, D), 9 (E, F, G)

-  #UL1203-Explosion Proof and Dust-Ignition-Proof Electrical Equipment For Use In Hazardous (Classified) Locations.
File #E83969 Indoor/Outdoor
-  #C22.2 NO. 30-M1986-Explosion Proof Enclosures For Use In Class I Hazardous Locations.
File #LR11714

FEATURES-SPECIFICATIONS**Features**

- Copper-free, cast aluminum construction (less than ¼ of 1%).
- High strength, lighter in weight, corrosion resistant.
- Hinged Cover is standard.
- More Wiring Room – Meets the latest NEC/CEC wire bending requirements for circuit breaker enclosures.
- Ductile Mounting Lugs – Lugs are made of ductile aluminum alloy to adjust to irregular mounting surfaces without damage to enclosure.
- Universal Mounting Pan – Sheet aluminum pan is pre-drilled to facilitate easy field installation of major circuit breaker brands. Provisions for grounding supplied as standard.
- Conduit Openings Supplied – Standard conduit openings include power conduit top and bottom and a plugged opening suitable for field installation of drain and breather.
- Special conduit openings can be supplied at factory, or can be field installed.
- Breaker Handle – Provisions for lock “ON” or “OFF” positions with up to three padlocks. Spring loaded to prevent damage of breaker toggle and provides positive handle alignment. “O” ring on shaft to prevent water seeping into enclosure.
- Recessed Flange Notches – Flanges are notched to allow for easier cover opening with prying instrument without flange damage.
- Gasketed Flange – Nitrile (BUNA-N) “O” ring gasket is located inside cover bolt circle to prevent water seeping into enclosure.
- Quick Release, Captivated Cover – Bolts of 316 Grade Stainless Steel Triple lead bolts require only 3-½ turns to disengage.

Materials

- Enclosure: Copper-free, cast aluminum (less than ¼ of 1%)
- Aluminum lacquer paint finish is standard, with special epoxy finish available. See page DE6
- Cover Bolts: 316 grade stainless steel
- Mounting Pan: Sheet aluminum
- Handle Mechanism: Cast aluminum with stainless steel shaft and hardware.
- Hinges: Aluminum with stainless steel hardware.

Electrical Rating

- 600VAC, 2,3 or 4 Pole, 50/60Hz



DISTRIBUTION EQUIPMENT



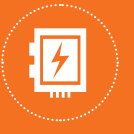
B7C CIRCUIT BREAKER ENCLOSURES				
ENCLOSURE ONLY CATALOG NUMBER	WILL ACCEPT THE FOLLOWING CIRCUIT BREAKERS:			
	MANUFACTURER	FRAME SIZE	CIRCUIT BREAKER TYPE	MAX. AMP
B7CA	EATON/CUTLER HAMMER/WESTINGHOUSE	F	EHD, FDB, FD, HFD, FDC	100
	GENERAL ELECTRIC	E	TEB, TED, THED, TEL	100
	ITE - SIEMENS	ED	ED2, ED4, ED6, HED4, HED6	90
	SCHNIEDER/SQUARE D	H	HDL, HGL, HJL, FAL, FHL, FCL	100
	ABB	XT1, XT2	XT1, XT2	100
B7CB	EATON/CUTLER HAMMER/WESTINGHOUSE	F	FDB, FD, HFD, FDC	150
	GENERAL ELECTRIC	E	TEB, TED, THED, TEL	150
	ITE - SIEMENS	ED	ED2, ED4, ED6, HED4, HED6	90
	SCHNIEDER/SQUARE D	H	HDL, HGL, HJL, FAL, FHL, FCL	150
B7CC	EATON/CUTLER HAMMER/WESTINGHOUSE	J	JD, JDB, JDC, HJD	250
	GENERAL ELECTRIC	F	TFJ, TFK, THFK, TFL	225
	SCHNIEDER/SQUARE D	J	JDL, JGL, JJL	250
	ITE - SIEMENS	FD	FXD6, FD6, HFD6, CFD6	250
	ABB	XT3, XT4	XT3, XT4	225/250
B7CD	EATON/CUTLER HAMMER/WESTINGHOUSE	K	DK, KDB, KD, HKD, KDC	400
	GENERAL ELECTRIC	J	TJJ, TJK, THJK	400
	ITE - SIEMENS	JD	JXD2, JXD6, JD6, HJD6, HHJD6, CJD6	400
	SCHNIEDER/SQUARE D	L	LDL, LGL	400
	ABB	T5	T5N, T5S, T5H	400
B7CE	EATON/CUTLER HAMMER/WESTINGHOUSE	L	LDB, LD, HLD, LDC	600
	GENERAL ELECTRIC	J	TJK, THJK	600
	ITE - SIEMENS	L	LXD6, LD6, HLD6, HHLD6, CLD6	600
	SCHNIEDER/SQUARE D	L	LDL, LGL	600
	ABB	T6	T6N, T6S, T6H	600
B7CF	EATON/CUTLER HAMMER/WESTINGHOUSE	N	ND, HND, NDC	1200
	GENERAL ELECTRIC	K	TKM, THKM	1200
	ITE - SIEMENS	MD/ND	MD, MXD, HMXD, HMD, CMD	800/1200
	SCHNIEDER/SQUARE D	P	PDL, PGL	1200
	ABB	T7	T7N, T7S, T7H	1200

NOTE: Enclosure includes mounting pan which is pre-drilled to accept circuit breakers illustrated above.



CIRCUIT BREAKER ENCLOSURES

B7C ENCLOSURE WITH CIRCUIT BREAKER INSTALLED										
BREAKER AMP TRIP	MAX. VOLTAGE	CATALOG NUMBER			CATALOG NUMBER			CATALOG NUMBER		
		CUTLER-HAMMER/EATON BREAKERS			SCHNIEDER/SQUARE D BREAKERS			ABB		
		FRAME	2 POLE	3 POLE	FRAME	2 POLE	3 POLE	FRAME	3 POLE	4 POLE
15	480	EHD	B7CA-WEHD-42015	B7CA-WEHD-43015	HDL	B7CA-SHDL-42015	B7CA-SHDL-43015	XT1	B7CA-AXT1-43015	B7CA-AXT1-44015
15	600	FDB	B7CA-WFDB-62015	B7CA-WFDB-63015	HDL	B7CA-SHDL-62015	B7CA-SHDL-63015	XT1	B7CA-AXT1-63015	B7CA-AXT1-64015
20	480	EHD	B7CA-WEHD-42020	B7CA-WEHD-43020	HDL	B7CA-SHDL-42020	B7CA-SHDL-43020	XT1	—	—
20	600	FDB	B7CA-WFDB-62020	B7CA-WFDB-63020	HDL	B7CA-SHDL-62020	B7CA-SHDL-63020	XT1	B7CA-AXT1-63020	B7CA-AXT1-64020
25	480	EHD	B7CA-WEHD-42025	B7CA-WEHD-43025	HDL	B7CA-SHDL-42025	B7CA-SHDL-43025	XT1	—	—
25	600	FDB	B7CA-WFDB-62025	B7CA-WFDB-63025	HDL	B7CA-SHDL-62025	B7CA-SHDL-63025	XT1	B7CA-AXT1-63025	B7CA-AXT1-64025
30	480	EHD	B7CA-WEHD-42030	B7CA-WEHD-43030	HDL	B7CA-SHDL-42030	B7CA-SHDL-43030	XT1	—	—
30	600	FDB	B7CA-WFDB-62030	B7CA-WFDB-63030	HDL	B7CA-SHDL-62030	B7CA-SHDL-63030	XT1	B7CA-AXT1-63030	B7CA-AXT1-64030
35	480	EHD	B7CA-WEHD-42035	B7CA-WEHD-43035	HDL	B7CA-SHDL-42035	B7CA-SHDL-43035	XT1	—	—
35	600	FDB	B7CA-WFDB-62035	B7CA-WFDB-63035	HDL	B7CA-SHDL-62035	B7CA-SHDL-63035	XT1	B7CA-AXT1-63035	B7CA-AXT1-64035
40	480	EHD	B7CA-WEHD-42040	B7CA-WEHD-43040	HDL	B7CA-SHDL-42040	B7CA-SHDL-43040	XT1	—	—
40	600	FDB	B7CA-WFDB-62040	B7CA-WFDB-63040	HDL	B7CA-SHDL-62040	B7CA-SHDL-63040	XT1	B7CA-AXT1-63040	B7CA-AXT1-64040
50	480	EHD	B7CA-WEHD-42050	B7CA-WEHD-43050	HDL	B7CA-SHDL-42050	B7CA-SHDL-43050	XT1	—	—
50	600	FDB	B7CA-WFDB-62050	B7CA-WFDB-63050	HDL	B7CA-SHDL-62050	B7CA-SHDL-63050	XT1	B7CA-AXT1-63050	B7CA-AXT1-64050
60	480	EHD	B7CA-WEHD-42060	B7CA-WEHD-43060	HDL	B7CA-SHDL-42060	B7CA-SHDL-43060	XT1	—	—
60	600	FDB	B7CA-WFDB-62060	B7CA-WFDB-63060	HDL	B7CA-SHDL-62060	B7CA-SHDL-63060	XT1	B7CA-AXT1-63060	B7CA-AXT1-64060
70	480	EHD	B7CA-WEHD-42070	B7CA-WEHD-43070	HDL	B7CA-SHDL-42070	B7CA-SHDL-43070	XT1	—	—
70	600	FDB	B7CA-WFDB-62070	B7CA-WFDB-63070	HDL	B7CA-SHDL-62070	B7CA-SHDL-63070	XT1	B7CA-AXT1-63070	B7CA-AXT1-64070
80	480	EHD	B7CA-WEHD-42080	B7CA-WEHD-43080	HDL	B7CA-SHDL-42080	B7CA-SHDL-43080	XT1	—	—
80	600	FDB	B7CA-WFDB-62080	B7CA-WFDB-63080	HDL	B7CA-SHDL-62080	B7CA-SHDL-63080	XT1	B7CA-AXT1-63080	B7CA-AXT1-64080
90	480	EHD	B7CA-WEHD-42090	B7CA-WEHD-43090	HDL	B7CA-SHDL-42090	B7CA-SHDL-43090	XT1	—	—
90	600	FDB	B7CA-WFDB-62090	B7CA-WFDB-63090	HDL	B7CA-SHDL-62090	B7CA-SHDL-63090	XT1	B7CA-AXT1-63090	B7CA-AXT1-64090
100	480	EHD	B7CA-WEHD-42100	B7CA-WEHD-43100	HDL	B7CA-SHDL-42100	B7CA-SHDL-43100	XT1	—	—
100	600	FDB	B7CA-WFDB-62100	B7CA-WFDB-63100	HDL	B7CA-SHDL-62100	B7CA-SHDL-63100	XT1	B7CA-AXT1-63100	B7CA-AXT1-64100
125	600	FDB	B7CB-WFDB-62125	B7CB-WFDB-63125	HDL	B7CB-SHDL-62125	B7CB-SHDL-63125	XT1	B7CB-AXT1-63125	B7CB-AXT1-64125
125	600	JDB	B7CC-WJDB-62125	B7CC-WJDB-63125						
150	600	FDB	B7CB-WFDB-62150	B7CB-WFDB-63150	HDL	B7CB-SHDL-62150	B7CB-SHDL-63150			
150	600	JDB	B7CC-WJDB-62150	B7CC-WJDB-63150	JDL	B7CC-SJDL-62150	B7CC-SJDL-63150	XT3	B7CC-AXT3N-63150	B7CC-AXT3N-64150
175	600	JDB	B7CC-WJDB-62175	B7CC-WJDB-63175	JDL	B7CC-SJDL-62175	B7CC-SJDL-63175	XT3	B7CC-AXT3N-63175	B7CC-AXT3N-64175
200	600	JDB	B7CC-WJDB-62200	B7CC-WJDB-63200	JDL	B7CC-SJDL-62200	B7CC-SJDL-63200	XT3	B7CC-AXT3N-63200	B7CC-AXT3N-64200
225	600	JDB	B7CC-WJDB-62225	B7CC-WJDB-63225	JDL	B7CC-SJDL-62225	B7CC-SJDL-63225	XT3	B7CC-AXT3N-63225	B7CC-AXT3N-64225
250	600	JDB	B7CC-WJDB-62250	B7CC-WJDB-63250	JDL	B7CC-SJDL-62250	B7CC-SJDL-63250			
250	600	KD	B7CD-WKD-62250	B7CD-WKD-63250	LDL	B7CD-SJDL-62250	B7CD-SJDL-63250	XT4	B7CD-AXT4N-63250	B7CD-AXT4N-64250
300	600	KD	B7CD-WKD-62300	B7CD-WKD-63300				T5N	B7CD-AT5N-63300	B7CD-AT5N-64300
350	600	KD	B7CD-WKD-62350	B7CD-WKD-63350						
400	600	KD	B7CD-WKD-62400	B7CD-WKD-63400	LDL	B7CD-SLDL-62400	B7CD-SLDL-63400	T5N	B7CD-AT5N-63400	B7CD-AT5N-64400
400	600	LD	B7CE-WLD-62400	B7CE-WLD-63400						
500	600	LD	B7CE-WLD-62500	B7CE-WLD-63500						
600	600	LD	B7CE-WLD-62600	B7CE-WLD-63600	LDL	B7CE-SLDL-62600	B7CE-SLDL-63600			
600	600	ND	B7CF-WND-62600	B7CF-WND-63600				T6N	B7CF-AT6N-63600	B7CF-AT6N-64600
700	600	ND	B7CF-WND-62700	B7CF-WND-63700						
800	600	ND	B7CF-WND-62800	B7CF-WND-63800				T6N	B7CF-AT6N-63800	B7CF-AT6N-64800
1000	600	ND	B7CF-WND-621000	B7CF-WND-631000				T7N	B7CF-AT7N-631000	B7CF-AT7N-641000
1200	600	ND	B7CF-WND-621200	B7CF-WND-631200	PDL	B7CF-SPDL-621200	B7CF-SPDL-631200	T7N	B7CF-AT7N-631200	B7CF-AT7N-641200



CIRCUIT BREAKER ENCLOSURES

TECHNICAL DATA INTERRUPTING CAPACITY RATINGS (SYMMETRICAL AMPERES)				
BREAKER FRAME	VOLTS AC			VOLTS DC
CUTLER-HAMMER/EATON	240	480	600	250
EHD	18,000	14,000	—	10,000
FDB	18,000	14,000	14,000	10,000
JDB	65,000	25,000	18,000	10,000
KD	65,000	35,000	25,000	10,000
LD	65,000	35,000	25,000	22,000
ND	65,000	50,000	25,000	—
SQUARE D				
HDL	25,000	18,000	14,000	10,000
JDL	42,000	25,000	22,000	10,000
LDL	25,000	18,000	14,000	10,000
LGL	65,000	35,000	18,000	—
PDL	42,000	50,000	50,000	14,000
ABB				
XT1, XT2	50,000	22,000	10,000	25,000
XT3	50,000	25,000	10,000	25,000
XT4	65,000	25,000	18,000	25,000
T5N	65,000	25,000	18,000	25,000
T6N	65,000	35,000	20,000	35,000
T7N	65,000	50,000	25,000	NA

DIMENSIONS

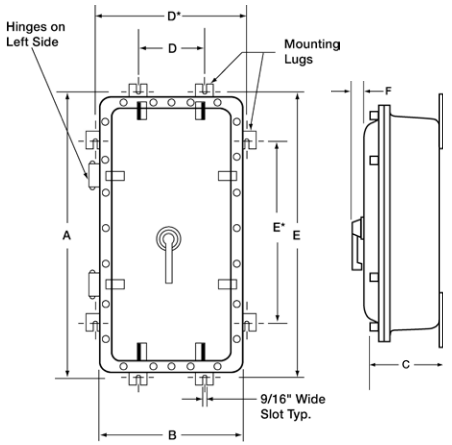


Figure 1

Consult factory for requirements on higher interrupting rated breakers.
NOTE: Modifications to Internal Circuit Breaker such as Shunt Trip, Auxiliary Switches, Alarm Switch and Undervoltage Release Mechanism are available and should be ordered by description.

ACCESSORIES / OPTIONS	
CATALOG NUMBER	DESCRIPTION
SU-3B-4X	Drain/Breather TYPE 4X/7 B,C,D
SU-10B-4X	Drain TYPE 4X/7 B,C,D
SU-11B-4X	Breather TYPE 4X/7 B,C,D
B7CGRND	Grounding lug kit
B7C-SN1	Solid neutral 150 AMP
B7C-SN2	Solid neutral 250 AMP
B7C-SN3	Solid neutral 600 AMP
B7C-SN4	Solid neutral 1200 AMP
B7SF	Special epoxy finish
B7SPNPT	Change standard conduit openings

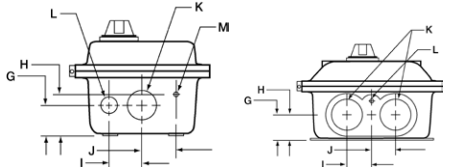
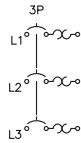
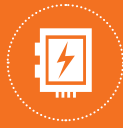


Figure 2

Figure 3



B7C DIMENSIONS																	
CATALOG NUMBER	USE FIGURES	DIMENSIONS											CONDUIT OPENINGS TOP & BTM. (NPT)			EST. ENCL. WT. LBS (KG)	
		A	B	C	D	D*	E	E*	F	G	H	I	J	K	L		M
B7CA	1, 2	18" (457)	11" (279)	9-1/8" (232)	3-5/8" (92)	N/A	16-3/8" (416)	N/A	1-3/4" (44)	2-15/16" (76)	3-11/16" (94)	2-3/8" (60)	2-1/8" (54)	1-1/2"	3/4"	1/2"	46 (20.86)
B7CB	1, 2	26-1/4" (667)	12-1/2" (318)	10-3/4" (273)	5" (127)	N/A	24-5/8" (625)	N/A	1-3/4" (44)	4-5/16" (110)	5-3/4" (146)	2-3/4" (70)	2-1/2" (64)	2"	1"	1/2"	80 (36.28)
B7CC	1, 2	34-1/4" (870)	16-1/2" (419)	11-1/2" (292)	9" (229)	N/A	32-5/8" (829)	N/A	1-3/4" (44)	4-11/16" (119)	6-1/4" (159)	4" (102)	3-3/4" (95)	3"	1"	1/2"	155 (70.30)
B7CD	1, 2	34-1/4" (870)	16-1/2" (419)	11-1/2" (292)	9" (229)	N/A	32-5/8" (829)	N/A	2-5/8" (67)	4-11/16" (119)	6-1/4" (159)	4" (102)	3-3/4" (95)	3"	1"	1/2"	155 (70.30)
B7CE	1, 3	45-3/8" (1153)	17-1/2" (445)	9-5/8" (244)	N/A	15-1/4" (387)	N/A	33" (838)	2-5/8" (67)	3-3/16" (838)	4-1/2" (114)	2-3/4" (70)	2-3/4" (70)	3"	1/2"	N/A	215 (97.52)
B7CF	1, 3	62-1/4" (1581)	20-1/4" (514)	15" (381)	N/A	18-1/2" (470)	N/A	43-1/2" (1105)	2-5/8" (67)	5-3/8" (137)	7-3/8" (187)	3-1/2" (89)	3-1/2" (89)	4"	1/2"	N/A	540 (244.93)



DISTRIBUTION EQUIPMENT

DEDS SERIES

DISCONNECT SWITCHES • POLE / NON-FUSIBLE



Class II, Div. 1 & 2, Groups E, F, G
Class III
TYPE 3R, 4, 9 (E, F, G)



Listed - File E53290 Indoor/Outdoor



Certified - File LR11714
See files for details or call Killark.

FEATURES-SPECIFICATIONS

Features

(30-60-100 Amp Housing Styles)

- Bolted and gasketed cabinet type construction insures the exclusion of conductive or combustible dusts from entering the assembly. Enclosure and external handle is copper-free aluminum alloy (less than 1/10 of 1%)
- Cover bolts are stainless steel
- External handle is vault type with standard provisions for locking in the "OFF" position with up to three padlocks
- Provisions for locking in "ON" position available as factory modification. (Add suffix SU40 to catalog number)
- Cutler-Hammer Type-DS Switches
- Two cast conduit hubs; one top and one bottom
- Internal disconnect handle mechanism is a sliding plate mounted to the cover
- Aluminum lacquer paint finish is standard

Electrical Ratings

- 600VAC, 3 Pole, 50/60Hz



DISCONNECT SWITCHES • POLE / NON-FUSIBLE

DEDS DISCONNECT SWITCHES				
CATALOG NUMBER				SWITCH RATING
ENCLOSURE WITH SWITCH	ENCLOSURE WITH SWITCH AND AUXILIARY CONTACTS	ENCLOSURE WITH SWITCH AND TWO AUXILIARY CONTACTS	ENCLOSURE ONLY (WITHOUT SWITCH OR AUXILIARY CONTACTS)	
DEDS-30	DEDS-30A	DEDS-30AA	DEDS-A	30 AMP
DEDS-60	DEDS-60A	DEDS-60AA	DEDS-B	60 AMP
DEDS-100	DEDS-100A	DEDS-100AA	DEDS-B	100 AMP

Auxiliary Switch Kits are available for separate control circuit applications. Each auxiliary switch has one normally open and one normally closed contact. Each switch includes three soldered, identified leads.

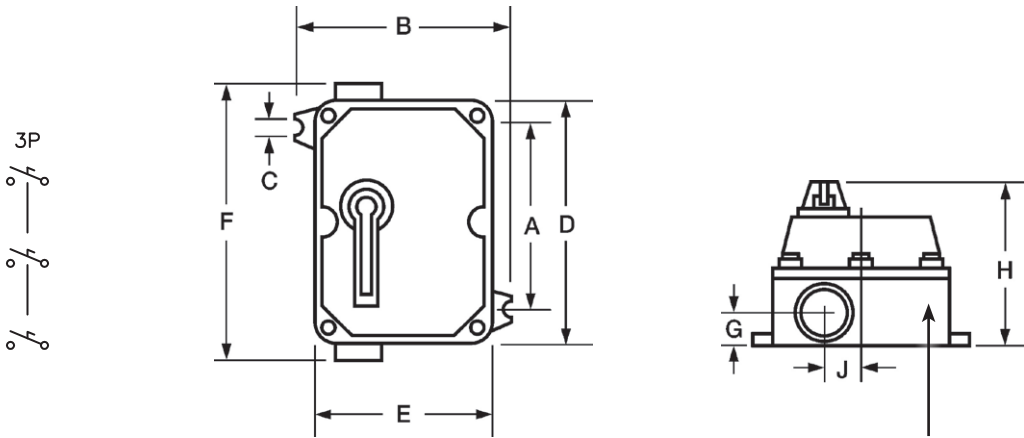
Rated 15 amps at 250 volts maximum.

DEDS ELECTRICAL RATINGS					
SWITCH AMPERES	MAXIMUM HORSEPOWER—THREE PHASE—3-POLE				
	120 VAC	240 VAC	480 VAC	600 VAC	250 VDC
30	5	10	20	25	7-1/2
60	10	20	40	60	15
100	15	30	75	75	25

DEDS DIMENSIONS											
ENCLOSURE CATALOG NUMBER	CONDUIT SIZE	A	B	C	D	E	F	G	H	J	EST. ENCL. WT. LBS (KG)
DEDS-A	1-1/4"	8-3/8" (213)	8-13/16" (224)	7/16" (11)	10-1/4" (260)	7-3/8" (187)	12-1/8" (308)	1-3/8" (35)	6-7/8" (175)	2" (51)	14.50 (6.57)
DEDS-B	2"	10-7/8" (276)	9-1/8" (232)	7/16" (11)	13-7/8" (252)	7-3/4" (197)	15-3/8" (391)	1-3/4" (44)	6-7/8" (175)	2" (51)	19.50 (8.84)

MODIFICATIONS	
SUFFIX NUMBER	DESCRIPTION
SU3B-4X	Drain and breather
SU17	100 Amp solid neutral
SU40	Lock "on" for handle
KIT-251	100 Amp ground lug

DIMENSIONS



Note: Space for additional drill & top conduit opening. 1-1/4" for DEDS-A. 2" for DEDS-B. Also is location for SU3 drain and breather when required.



DISCONNECT SWITCHES 3 POLE / NON-FUSIBLE



XEDS-30

Class I, Div. 1 & 2, Groups C, D
Class I, Zones 1 & 2, Groups IIB, IIA
Class II, Div. 1 & 2, Groups E, F, G
Class III
TYPE 7 (C, D) 9 (E, F, G)

 LISTED - File E53290 Indoor

 Certified - File LR1171
See files for details or call Killark.

FEATURES-SPECIFICATIONS

Features

30-60-100 Amp Housing

- External handle is vault type with standard provisions for locking in "OFF" position with up to three padlocks
- Provisions for locking in "ON" position available as factory modification (add suffix SU40 to catalog number)
- Enclosure and external handle is cast copper-free aluminum alloy (less than 1/40 of 1%)
- Cover bolts are stainless steel
- Cutler-Hammer Type-DS Switches

30-60-100 Amp Housing

- Two cast conduit hubs; one top and one bottom
- Internal disconnect handle mechanism is a sliding plate mounted to the cover
- Aluminum lacquer paint finish is standard

Electrical Rating

- 600VAC, 3 Pole, 50/60Hz



DISCONNECT SWITCHES 3 POLE / NON-FUSIBLE

XEDS DISCONNECT SWITCHES				
CATALOG NUMBER				
ENCLOSURE WITH SWITCH	ENCLOSURE WITH SWITCH AND AUXILIARY CONTACTS	ENCLOSURE WITH SWITCH AND TWO AUXILIARY CONTACTS	ENCLOSURE ONLY (WITHOUT SWITCH OR AUXILIARY CONTACTS)	SWITCH RATING
XEDS-30	XEDS-30A	XEDS-30AA	XEDS-A	30
XEDS-60	XEDS-60A	XEDS-60AA	XEDS-B	60
XEDS-100	XEDS-100A	XEDS-100AA	XEDS-B	100

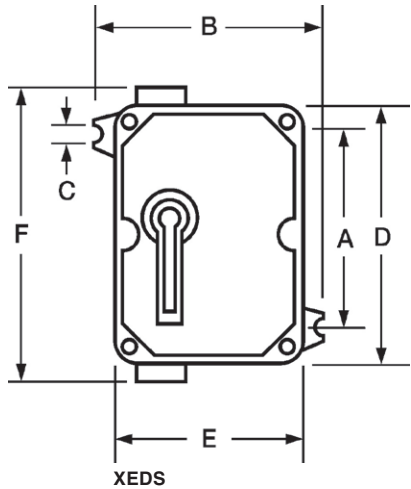
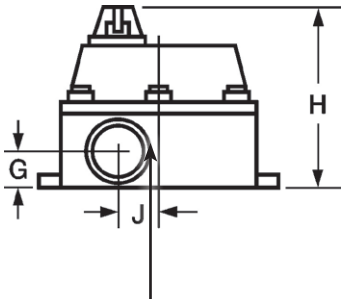
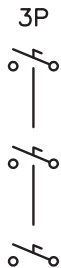
MODIFICATIONS	
SUFFIX NUMBER	DESCRIPTION
SU3	Drain and breather
SU17	100 Amp solid neutral
SU18	225 Amp solid neutral
SU40	Lock "on" for handle
KIT-251	100 Amp ground lug

Auxiliary switch kits are available for separate control circuit applications. Each auxiliary switch has one normally open and one normally closed contact. Each switch includes three soldered, identified leads. Rated 15 amps at 250 volts maximum.

XEDS ELECTRICAL RATINGS					
SWITCH AMPERES	MAXIMUM HORSEPOWER – THREE PHASE – 3-POLE				
	120 VAC	240 VAC	480 VAC	600 VAC	250 VDC
30	5	10	20	25	7-1/2
60	10	20	40	60	15
100	15	30	75	75	25

XEDS DIMENSIONS											
CATALOG NUMBER	HUB SIZE	A	B	C	D	E	F	G	H	J	EST. ENCL. WT. LBS (KG)
XEDS-A	1-1/4"	8-3/8" (213)	8-3/4" (222)	7/16" (11)	10-1/4" (260)	7-3/8" (187)	11-7/8" (302)	1-3/8" (35)	6-7/8" (175)	2" (51)	11.0 (4.98)
XEDS-B	2"	10-7/8" (276)	9-1/8" (232)	7/16" (11)	13-7/8" (352)	7-3/4" (197)	16" (406)	1-3/4" (44)	7" (178)	2" (51)	17.0 (7.71)

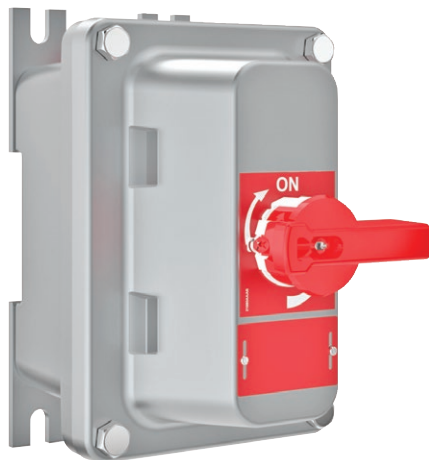
DIMENSIONS



NOTE: Space for additional drill & tap conduit opening
1-1/4" for XEDS-30
2" for XEDS-60+100
Also is location for SU3 drain and breather when requested.



COMPACT NON-FUSED DISCONNECT SWITCHES



B7NFD1



B7NFD2

Class I, Div. 1 & 2, Groups B, C, D
Class I, Zones 1 & 2, Groups IIB+ H2, IIA
Class II, Div. 1 & 2, Groups E, F, G[Ⓢ]
Class III
TYPE 3, 4, 4X, 7 (B, C, D) 9 (E, F, G)



Certified - File LR11714 Indoor/Outdoor

FEATURES-SPECIFICATIONS

PRISM[®] enclosures universal design accommodates the following manufacturers switches as standard:

- Advance Controls 14046 Series
- Allen-Bradley 194E Series (B7NFD1 only)
- ABB OT Series
- Cutler-Hammer R9 Series
- Sprecher + Schuh LA7 Series
- Ferraz Shawmut LBS Series

Advance Controls © Advance Controls Inc.

Allen-Bradley © Rockwell Automation

ABB © The ABB Group

Cutler-Hammer © Eaton Corporation

Sprecher + Schuh © Sprecher + Schuh

Features

- Compact size enclosures provide application flexibility with cost savings over industry standard sizes
- Fewer cover bolts reduces installation and maintenance time
- Gasketed flange with O-ring located in side bolt circle to seal out moisture
- Rotary handle style operating mechanism with lockout provision as standard

- Removable ductile mounting lugs adjust to irregular mounting surfaces
- Bodies have top and bottom drilled and tapped conduit entrances for power connection, with custom openings available

Materials

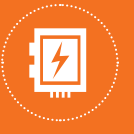
- Enclosures: Copper-free aluminum (less than 1/10 of 1% copper content)
- Cover Bolts: 316 Stainless Steel
- O-ring Gasket: Silicone
- Finish: Grey Powder Polyester painted exterior, electrostatically applied.
- Electrical rating: 600VAC, 30 - 100 Amp

ADAPTER KIT

- Required for Allen-Bradley and Sprecher + Schuh disconnects Order separately B7KIT - NRW

Electrical Rating

- 600VAC, 30 - 100 Amp 3 Pole



COMPACT NON-FUSED DISCONNECT SWITCHES

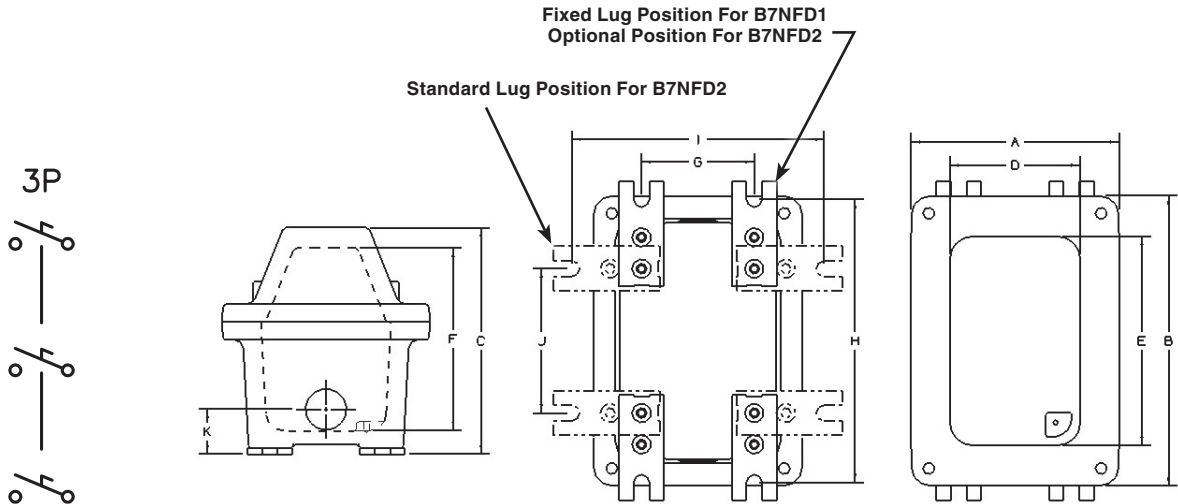
COMPACT NON-FUSED DISCONNECT SWITCHES											
CATALOG NUMBER		SWITCH RATING IEC/NEC		SINGLE PHASE HP		THREE PHASE HP				TERMINAL LUG SIZE (MM/AWG)	WEIGHT (KG/LBS)
ENCLOSURE ONLY	W/ABB SWITCH	AMPS	PHASE	120 VAC	230 VAC	208 VAC	230 VAC	480 VAC	600 VAC		
UL508 & IEC - Suitable for use in equipment or machinery as motor controllers & motor disconnect and are horsepower and ampere rated.											
B7NFD1	B7NFD16A	16/20	3	1	2	3	5	10	10	.75 - 10mm / #18 - 8 AWG	4.98 / 11
B7NFD1	B7NFD25A	25/30	3	1.5	3	7.5	7.5	15	20	.75 - 10mm / #18 - 8 AWG	4.98 / 11
B7NFD1	B7NFD32A	32/40	3	2	5	10	10	20	25	.75 - 10mm / #18 - 8 AWG	4.98 / 11
B7NFD1	B7NFD63A	63/60	3	2	5	15	15	30	30	1.5 - 35mm / #14 - 2 AWG	4.98 / 11
B7NFD2	B7NFD80A	80/80	3	2	5	20	20	40	40	1.5 - 35mm / #14 - 2 AWG	10.53 / 23.2
UL 98 & IEC - Suitable for use as motor disconnects or industrial control panel disconnects on service entrance equipment, panelboards, switchboards, industrial control equipment, motor control centers, etc. and are horsepower rated and ampere rated.											
B7NFD1	B7NFD13A	40/30	3	2	5	10	10	20	30	2.5 -25mm / #14 - 4 AWG	4.98 / 11
B7NFD2	B7NFD26A	63/60	3	3	7.5	20	20	40	40	2.5 -25mm / #14 - 4 AWG	10.53 / 23.2
B7NFD2	B7NFD21A	100/100	3	5	15	25	30	50	50	10 - 70mm / #8 - 2/0 AWG	10.53 / 23.2

** Use MN. 75°C wire

ENCLOSURE	DIMENSIONS											
	OUTSIDE BOX DIMENSIONS (INCH/MM)			NOMINAL INSIDE BOX (INCH/MM)			MOUNTING DIMENSION (INCH/MM)					OUTLET
	A	B	C	D	E	F	G	H	I	J	K	
B7NFD1	5.75 (145)	8.0625 (205)	6.3125 (160)	3.625 (92)	5.8125 (148)	5.0625 (129)	3.125 (79)	8.125 (206)	NA	NA	1.25 (32)	1"
B7NFD2	8.125 (206)	13.0625 (332)	7.8125 (198)	4.25 (108)	9.1875 (233)	6.3125 (160)	2.50 (64)	11.375 (289)	6.375 (162)	7.50 (191)	1.8125 (46)	1½"

MODIFICATIONS	
SUFFIX NUMBER	DESCRIPTION
KIT-251	100 amp ground lug
SU-2	SU-2 Hinge-9 Installed
SU-3B-4X	Drain/Breather NEMA 4X/7 B,C,D
SU-10B-4X	Drain NEMA 4X/7 B,C,D
SU-11B-4X	Breather NEMA 4X/7 B,C,D
SU9	Special paint finish
A*	1 NC+1NO Auxiliary
B7SPNPT	Change std. conduit size and location
SU14	Fungus proofing of enclosures

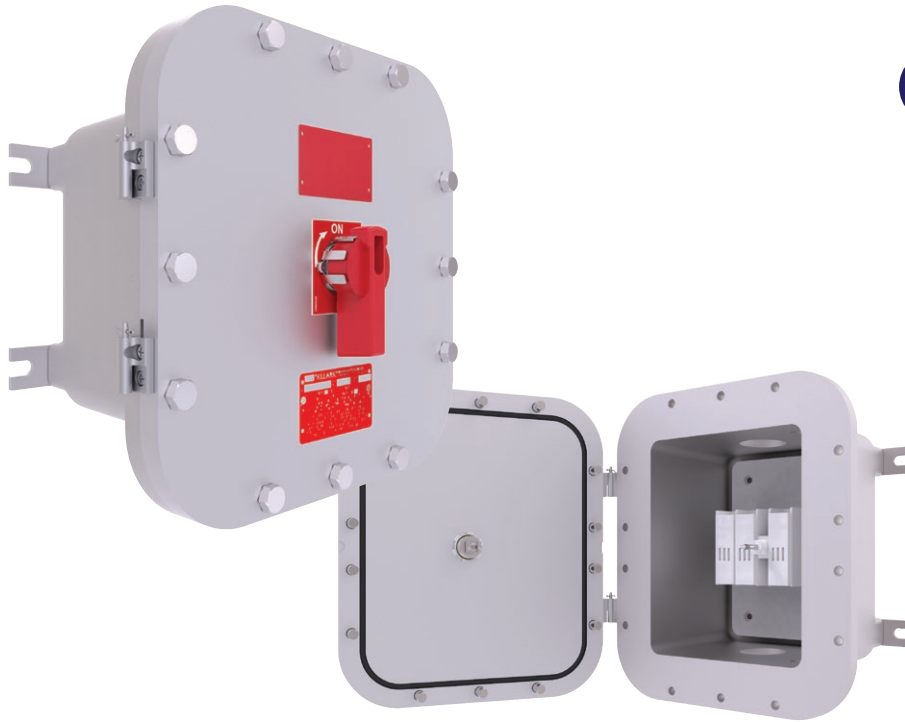
* NOTE: Only one auxiliary contact (Form C) will fit.





DISTRIBUTION EQUIPMENT
EXBLTP-FDS SERIES

FUSED DISCONNECT SWITCHES



ATEX & IEC Ex
 II 2 G Ex db IIB+H2 T6 CE 0518
 II 2 D Ex tb IIIC T85°C IP66
 Ta -50°C to +70°C
 IECEX QPS 17.0013U
 IECEX QPS 17.0014
 CML17 ATEX (pending)
 CML17 ATEX (pending)

NORTH AMERICA

Class I, Div. 1 & 2, Groups B, C & D;
 Class I, Zone 1 & 2, Groups IIB+H2 IIA;
 Class II, Div. 1 & 2, Groups E, F & G;
 Class III, Encl. Type 4 & 4X
 UL Ta = -25°C to +70°C
 CSA Ta = -50°C to +70°C
 UL Classified File E83969
 CSA Certified File LR11716
 TYPE 3, 4, 4X, 7 (B,C,D) 9 (E, F, G)

FEATURES-SPECIFICATIONS

Features

- New lighter (up to 35%) EXBLT enclosure, fewer cover bolts than our competitors, gasketed plate cover, 316 stainless steel cover bolts, ductile mounting lugs.
- UL98 Fused Disconnect Switch, Horsepower Rated.
- Available as 3 Pole switch.
- Auxiliary Contacts, accepts up to two contacts per side of switch.
- Switch has removable fuse clips, retaining the fuse for safe replacement.
- Solid Neutral, Detachable Neutral and Ground Terminal available as an option.
- Can be ordered with or without the switch, allows for field installation of switch while maintaining product certification.
- Switch operating handle can be padlocked in the "ON" or "OFF" position providing lockout/tagout protection.
- Conduit outlets top and bottom drilled and tapped for power connections, with custom openings available.

Materials

- Box: Molded from 356-T6 copper free aluminum, less than ¼ of 1% copper alloy and less than 6% magnesium.
- Cover: Plate cover is made of 6061-T6 aluminum alloy.
- Hinges: Extruded aluminum with stainless steel pin hardware.
- Bolts: 316 Stainless Steel.
- Finish: Natural finish without paint.

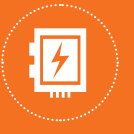
Electrical Rating

- 600VAC, 3 Pole, 50/60Hz

EXBLTP-FDS FUSED DISCONNECT SWITCHES

UL98 & IEC - Suitable for use as motor disconnects or industrial control panel disconnects on service entrance equipment, panelboards, switchboards, industrial control equipment, motor control centers, etc. and are horsepower rated and ampere rated.

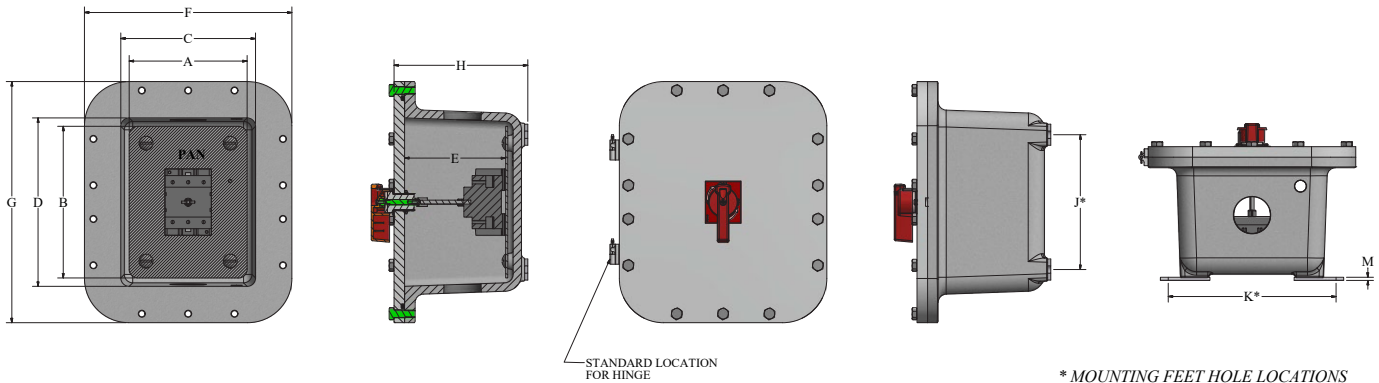
CATALOG NUMBER	SWITCH RATING IEC/NEC	SINGLE PHASE HP	THREE PHASE HP				TERMINAL LUG SIZE (MM/AWG)	WEIGHT (KG/LBS)	CONDUITS TOP/BOTTOM			
			AMPS	TYPE	120 VAC	230 VAC				208 VAC	230 VAC	480 VAC
686	EXBLTP-FDS-0303P	40/30	3 Pole	2	5	10	10	20	30	2.5 - 25mm/#14 - 4 AWG	23.7/10.8	(1) 1" (1) 1/2"
886	EXBLTP-FDS-0603P	63/60	3 Pole	3	7.5	20	20	40	40	2.5 - 25mm/#14 - 4 AWG	27.9/12.7	(1) 1-1/2" (1) 1/2"
12188	EXBLTP-FDS-1003P	100	3 Pole	1	15	25	30	50	50	#14AWG - 4 AWG	45.4/100	(1) 2" (1) 1/2"



DIMENSIONS

ENCLOSURE CATALOG NUMBER	INTERNAL DIMENSIONS - INCHES (MM)						EXTERNAL DIMENSIONS - INCHES (MM)		
	PAN		AVAILABLE EQUIPMENT SPACE				F	G	H ("P" PLATE)
	A	B	C	D	E ("P" PLATE)	E ("C" CAST)			
EXBLT-686 N4	5 (172)	7 (178)	8 (203)	6 (152)	6 (152)	6.32 (160)	10.25 (260)	12.25 (311)	7.88 (200)
EXBLT-886 N4	7 (178)	7 (178)	8 (203)	8 (203)	6 (152)	6.16 (156)	12.32 (313)	12.32 (313)	7.94 (202)
EXBLT-8106 N4	7 (178)	9 (229)	10 (254)	8 (203)	6 (152)	6.18 (157)	12.32 (313)	14.32 (364)	7.94 (202)
EXBLT-10108 N4	9 (229)	9 (229)	10.5 (267)	10.5 (267)	8 (203)	8.41 (214)	15.25 (387)	15.25 (387)	10.18 (259)

ENCLOSURE CATALOG NUMBER	MOUNTING DIMENSIONS - INCHES (MM)						CONDUIT AREA - INCHES (MM)				
	I	J	K	L	M	SLOT WIDTH	SIDE WALL		CENTER	TOP & BOTTOM WALL	
							O	Q	R	S	U
EXBLT-686 N4	N/A	4 (1002)	7.88 (200)	N/A	0.19 (5)	0.44 (11)	4.81 (122)	6.59 (167)	3.78 (96)	4.81 (122)	4.59 (167)
EXBLT-886 N4	N/A	6 (152)	9.88 (251)	N/A	0.19 (5)	0.44 (11)	4.81 (122)	6.56 (167)	3.78 (96)	4.81 (122)	6.56 (167)
EXBLT-8106 N4	N/A	8 (203)	9.88 (251)	N/A	0.19 (5)	0.44 (11)	4.81 (122)	8.56 (217)	3.78 (96)	4.81 (122)	6.56 (167)
EXBLT-10108 N4	4.94 (125)	4.94 (125)	12.94 (329)	12.94 (329)	0.25 (6)	0.56 (14)	5.94 (151)	7.97 (202)	5.09 (129)	5.94 (151)	7.97 (202)
EXBLT-12188 N4	6.94 (176)	12.88 (327)	14.94 (379)	20.88 (530)	0.25 (6)	0.56 (14)	5.88 (149)	15.34 (390)	5.03 (128)	9.34 (237)	2.5 (63)



REPLACEMENT PARTS

OPTIONS	
KIT-251	100 Amp Ground Lug
KIT-252	200 Amp Ground Lug
SU3B-4X	Drain & Breather installed Class 1 Groups B, Type 4, 4X
SU14	Fungus Proof Internal
SU9	Special Paint
A	1 NC+1 NO Auxiliary Contact
AA	2 NC+2 NO Auxiliary Contact
B7C-SN1	Solid Neutral 150 Amp
B7C-SN2	Solid Neutral 250 Amp
CEN	ATEX/IEC Ex d (Pending)

		REPLACEMENT PARTS				
ENCLOSURE CATALOG NUMBER	COVER GASKET	MOUNTING LUG KIT (Contains four mounting lugs and hardware)	COVER BOLTS – SOLD PER EACH			HANDLE
			NO. OF BOLTS PER ENCLOSURE	316 STAINLESS STEEL "N4X"	ATEX IEC EX 316 STAINLESS STEEL "N4CEN" (PENDING)	
EXBLTP-686 N4	EXB68RG	EXB-MTL1	10	25952BAAB	20790AAAB	B7EPD1SHAN
EXBLTP-886 N4	EXB88RG	EXB-MTL1	12	25952BAAB	20790AAAB	
EXBLTP-8106 N4	EXB810RG	EXB-MTL1	14	25952BAAB	20790AAAB	
EXBLTP-10108 N4	EXB1010RG	EXB-MTL2	12	25952AAAB	20790BAAB	



DISTRIBUTION EQUIPMENT

EXBLTP-NFD SERIES

NON-FUSED DISCONNECT SWITCHES



ATEX & IEC Ex

Ex II 2 G Ex db IIB+H2 T6 CE 0518

Ex II 2 D Ex tb IIIC T85°C IP66

Ta -50°C to +70°C

IECEX QPS 17.0013U

IECEX QPS 17.0014

CML17 ATEX (pending)

CML17 ATEX (pending)

NORTH AMERICA

Class I, Div. 1 & 2, Groups B, C & D;

Class I, Zone 1 & 2, Groups IIB+H2 IIA;

Class II, Div. 1 & 2, Groups E, F & G;

Class III, Encl. Type 4 & 4X

UL Ta = -25°C to +70°C

CSA Ta = -50°C to +70°C

UL Classified File E83969

CSA Certified File LR11716

TYPE 3, 4, 4X, 7 (B,C,D), 9 (E,F,G)

FEATURES-SPECIFICATIONS

Features

- New lighter (up to 35%) EXBLT enclosure, fewer cover bolts than our competitors, gasketed plate cover, 316 stainless steel cover bolts, ductile mounting lugs.
- UL98 & UL508 Non-Fused Disconnect Switch, Horsepower Rated.
- Available as 3 Pole, 3 Pole Double Throw and 6 pole switches.
- Auxiliary Contacts, accepts up to two contacts per side of switch.
- Terminal Poles, Solid Neutral, Detachable Neutral and Ground Terminal available as an option.
- Fourth power pole available for switch
- Can be ordered with or without the switch, allows for field installation of switch while maintaining product certification.
- Switch operating handle can be padlocked in the "ON" or "OFF" position providing lockout/tagout protection.
- Conduit outlets top and bottom drilled and tapped for power connections, with custom openings available.

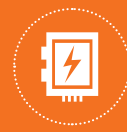
Materials

- **Box:** Molded from 356-T6 copper free aluminum, less than 1/10 of 1% copper alloy and less than 6% magnesium.
- **Cover:** Plate cover is made of 6061-T6 aluminum alloy.
- **Hinges:** Extruded aluminum with stainless steel pin hardware.
- **Bolts:** 316 Stainless Steel.
- **Finish:** Natural finish without paint.

Electrical Rating

- 600VAC, 50Hz





ORDERING INFORMATION / OPTIONS

EXBLTP-NFD NON FUSED DISCONNECT SWITCHES

UL98 & IEC - Suitable for use as motor disconnects or industrial control panel disconnects on service entrance equipment, panelboards, switchboards, industrial control equipment, motor control centers, etc. and are horsepower rated and ampere rated.

CATALOG NUMBER		SWITCH RATING IEC/NEC		SINGLE PHASE HORSEPOWER		THREE PHASE HORSEPOWER				TERMINAL LUG SIZE (MM/AWG)	WEIGHT (KG/LBS)	CONDUITS TOP/BOTTOM
EXBLTP	W/ ABB SWITCH	AMPS	TYPE	120 VAC	230 VAC	208 VAC	230 VAC	480 VAC	600 VAC			
686	EXBLTP-NFD-0303P	40/30	3 Pole	2	5	10	10	20	30	2.5 - 25mm/#14 - 4 AWG	23.7/10.8	(1) 1" (1) 1/2"
886	EXBLTP-NFD-0306P	40/30	6 Pole	2	5	10	10	20	30	2.5 - 25mm/#14 - 4 AWG	27.9/12.7	(2) 1" (1) 1/2"
886	EXBLTP-NFD-0303PDT	40/30	3P Double Throw	2	5	10	10	20	30	2.5 - 25mm/#14 - 4 AWG	27.9/12.7	(2) 1" (1) 1/2"
686	EXBLTP-NFD-0603P	63/60	3 Pole	3	7.5	20	20	40	40	2.5 - 25mm/#14 - 4 AWG	23.7/10.8	(1) 1-1/2" (1) 1/2"
886	EXBLTP-NFD-0606P	63/60	6 Pole	3	7.5	20	20	40	40	2.5 - 25mm/#14 - 4 AWG	27.9/12.7	(2) 1-1/2" (1) 1/2"
886	EXBLTP-NFD-0603PDT	63/60	3P Double Throw	3	7.5	20	20	40	40	2.5 - 25mm/#14 - 4 AWG	27.9/12.7	(2) 2" (1) 1/2"
8106	EXBLTP-NFD-1003P	100/100	3 Pole	5	15	25	30	50	50	10 - 70mm/#8 - 2/0 AWG	31.9/14.5	(1) 2" (1) 1/2"
8106	EXBLTP-NFD-1006P	100/100	6 Pole	5	15	25	30	50	50	10 - 70mm/#8 - 2/0 AWG	31.9/14.5	(2) 2" (1) 1/2"
8106	EXBLTP-NFD-1003PDT	100/100	3P Double Throw	5	15	25	30	50	50	10 - 70mm/#8 - 2/0 AWG	31.9/14.5	(2) 2" (1) 1/2"

UL508 & IEC - Suitable for use in equipment or machinery as motor controllers & motor disconnect and are horsepower and ampere rated.

CATALOG NUMBER		SWITCH RATING IEC/NEC		SINGLE PHASE HORSEPOWER		THREE PHASE HORSEPOWER				TERMINAL LUG SIZE (MM/AWG)	WEIGHT (KG/LBS)	CONDUITS TOP/BOTTOM
EXBLTP	W/ ABB SWITCH	AMPS	TYPE	120 VAC	230 VAC	208 VAC	230 VAC	480 VAC	600 VAC			
686	EXBLTP-NFD-1603P	16/20	3 Pole	1	2	3	5	10	10	.75 - 10mm/#18 - 8 AWG	27.9/12.7	(1) 1" (1) 1/2"
886	EXBLTP-NFD-1606P	16/20	6 Pole	1	2	3	5	10	10	.75 - 10mm/#18 - 8 AWG	27.9/12.7	(2) 1" (1) 1/2"
686	EXBLTP-NFD-2503P	25/30	3 Pole	1.5	3	7.5	7.5	15	20	.75 - 10mm/#18 - 8 AWG	23.7/10.8	(1) 1" (1) 1/2"
886	EXBLTP-NFD-2506P	25/30	6 Pole	1.5	3	7.5	7.5	15	20	.75 - 10mm/#18 - 8 AWG	27.9/12.7	(2) 1" (1) 1/2"
886	EXBLTP-NFD-3203P	32/40	3 Pole	2	5	10	10	20	25	.75 - 10mm/#18 - 8 AWG	27.9/12.7	(1) 1" (1) 1/2"
886	EXBLTP-NFD-3206P	32/40	6 Pole	2	5	10	10	20	25	.75 - 10mm/#18 - 8 AWG	27.9/12.7	(2) 1" (1) 1/2"
886	EXBLTP-NFD-6303P	63/60	3 Pole	2	5	15	15	30	30	1.5 - 35mm/#14 - 2 AWG	27.9/12.7	(1) 1-1/2" (1) 1/2"
886	EXBLTP-NFD-6306P	63/60	6 Pole	2	5	15	15	30	30	1.5 - 35mm/#14 - 2 AWG	27.9/12.7	(2) 1-1/2" (1) 1/2"
8106	EXBLTP-NFD-8003P	80/80	3 Pole	2	5	20	20	40	40	1.5 - 35mm/#14 - 2 AWG	31.9/14.5	(1) 2" (1) 1/2"
8106	EXBLTP-NFD-8006P	80/80	6 Pole	2	5	20	20	40	40	1.5 - 35mm/#14 - 2 AWG	31.9/14.5	(2) 2" (1) 1/2"

OPTIONS

KIT-251	100 Amp Ground Lug
KIT-252	200 Amp Ground Lug
SU3B-4X	Drain & Breather installed Class 1 Groups B, Type 4, 4X
SU14	Fungus Proof Internal
SU9	Special Paint
4P	4th Pole, 30, 60, 100A - 3 Pole Only (NFD Only)
A	1 NC+1 NO Auxilliary Contact
AA	2 NC+2 NO Auxilliary Contact
B7C-SN1	Solid Neutral 150 Amp
B7C-SN2	Solid Neutral 250 Amp
CEN	ATEX/IEC Ex d (Pending)



DISTRIBUTION EQUIPMENT

EXB-NFD, EXB-FDS SERIES

DISCONNECT SWITCHES • 3 POLE / NON-FUSIBLE & FUSIBLE



ATEX / IEC Ex Certified

Class I, Div. 1 & 2, Groups B[Ⓛ], C, D
Class I, Zones 1 & 2, Groups IIB+ H2, IIA
Class II, Div. 1 & 2, Groups E, F, G
Class III, Div. 1 & 2 ENCL TYPE 3, 4, 4X
TYPE 3, 4, 4X, 7 (B, C, D), 9 (E, F, G)
CENELEC/ATEX/IEC Ex
Ex d IIB + H2 T5 or T6
Ex tD A21 IP66
Tamb ≤ +70°C

Indoor/Outdoor



#UL886 - Outlet Boxes and Fittings for use in Hazardous (Classified) Locations. File #E10514 cer



#UL698 & #UL1203 - Explosion Proof and Dust Ignition Proof Electrical Equipment. Files #E83969 & E12379



#C22.2 No. 30-M1986 - Explosion Proof Enclosure for use in Class I Hazardous Locations. File #LR11716

CENELEC II 2 GD

PTB 07 ATEX 1025U (Empty Housing)

PTB 07 ATEC 1024x (Enclosure with Controls)

IEC Ex 07.0022U

IEC Ex 07.0023

FEATURES-SPECIFICATIONS

Features

- Copper-free aluminum construction, high strength, lighter in weight and corrosion resistant.
- Fewer cover bolts (no corner bolts required) reduces installation and maintenance time. Cover bolts are stainless steel.
- Gasketed flange with O-ring located in side bolt circle to seal out moisture.
- Stainless steel hinges are standard.
- Switch operating handle of copperfree aluminum can be padlocked, with up to 3 locks, in either the "ON" or "OFF" position.
- Ductile mounting lugs adjust to irregular mounting surfaces.
- Bodies have top and bottom drilled and tapped conduit entrances for power and drain/breather.
- **Global applications (ATEX)**
Enclosures are available for global applications with "CEN" suffix.
Assemblies that are modified to CENELEC/ATEX standards maintain their North American certifications
- Switches are used on all 30 to 400 Ampere assemblies.
- Disconnect Switches suitable for type 'J' fuses only.

Materials

- Enclosures: Copper-free aluminum (less than 1/10 of 1% copper content)
- Hinges and Cover Bolts: Stainless steel
- Aluminum lacquer paint finish

Electrical Rating

- 600 VAC
- 30, 60, 100, 200 and 400 Amp

Consult Factory for special conduit layouts

DISTRIBUTION EQUIPMENT
EXB-NFD, EXB-FDS SERIES



DISCONNECT SWITCHES • 3 POLE / NON-FUSIBLE & FUSIBLE

EXB-NFD NON FUSED DISCONNECT SWITCHES						
CATALOG NUMBER	SWITCH RATING	TYPE	CONDUITS TOP/BOT.	WIRE SIZE	EST. ENCL. WT (LBS)	KG
EXB-NFD-0303P	30	3 Pole	(1) 1-1/2" (1) 1/2"	#14-4	40.0	(18.14)
EXB-NFD-0306P	30	6 Pole	(2) 2" (1) 1/2"	#14-4	41.0	(18.59)
EXB-NFD-0303PDT	30	3P Double Throw	(2) 2" (1) 1/2"	#14-4	41.0	(18.59)
EXB-NFD-0603P	60	3 Pole	(1) 2" (1) 1/2"	#14-4	40.0	(18.14)
EXB-NFD-0606P	60	6 Pole	(2) 2" (1) 1/2"	#14-4	42.0	(19.05)
EXB-NFD-0603PDT	60	3P Double Throw	(2) 2" (1) 1/2"	#14-4	41.0	(18.59)
EXB-NFD-1003P	100	3 Pole	(1) 2" (1) 1/2"	#8-1/0	48.0	(21.77)
EXB-NFD-1006P	100	6 Pole	(2) 2" (1) 1/2"	#8-1/0	50.0	(22.67)
EXB-NFD-1003PDT	100	3P Double Throw	(2) 2" (1) 1/2"	#8-1/0	48.0	(21.77)
EXB-NFD-2003P	200	3 Pole	(1) 3" (1) 1/2"	#4-300MCM	170.0	(77.11)
EXB-NFD-4003P	400	3 Pole (2)	(2) 3" (1) 1/2"	#2-600MCM	241.0	(109.31)

EXB-FDS FUSED DISCONNECT SWITCHES (TYPE J FUSES)						
CATALOG NUMBER	SWITCH RATING	TYPE	CONDUITS TOP/BOT.	WIRE SIZE	EST. ENCL. WT. LBS (KG)	
EXB-FDS-0303P	30	3 Pole	(1) 2" (1) 1/2"	#14-4	40.0 (18.14)	
EXB-FDS-0603P	60	3 Pole	(1) 2" (1) 1/2"	#14-4	82.0 (37.18)	
EXB-FDS-1003P	100	3 Pole	(1) 2" (1) 1/2"	#14-2/0	130.0 (58.96)	
EXB-FDS-2003P	200	3 Pole	(1) 3" (1) 1/2"	#4-300MCM	170.0 (77.11)	
EXB-FDS-4003P	400	3 Pole	(2) 3" (1) 1/2"	#2-600MCM	425.0 (192.77)	

MODIFICATIONS	
SUFFIX NUMBER	DESCRIPTION
KIT-251	100 amp ground lug
KIT-252	225 amp ground lug
SU-3B-4X	Drain/Breather NEMA 4X/7 B,C,D
SU-10B-4X	Drain NEMA 4X/7 B,C,D
SU-11B-4X	Breather NEMA 4X/7 B,C,D
SU9	Special Paint Finish
4P	4th pole 30, 60, 100A - 3 pole only*
A	1 NC+1NO Auxiliary
AA	2 NC+2NO Auxiliary
CEN	ATEX/IEC Ex d
SN2	Solid Neutral



EXB-NFD, EXB-FDS SERIES

EXB-NFD ELECTRICAL RATINGS

SWITCH AMPERES	MAXIMUM KW / HORSEPOWER SINGLE PHASE						MAXIMUM KW / HORSEPOWER - 3 PHASE							
	UL508 & IEC													
UL508	120 VAC	200 VAC	240 VAC	200 VAC	208 VAC	240 VAC	220 VAC	400 VAC	415 VAC	480 VAC	500 VAC	600 VAC	690 VAC	
IEC														
16	1 HP	2 HP	2 HP	3 HP	3 HP	3 KW	5 HP	7.5 KW	7.5 KW	10 HP	7.5 KW	10 HP	7.5 KW	
25	1.5 HP	3 HP	3 HP	7.5 HP	7.5 HP	4 KW	7.5 HP	9 KW	9 KW	15 HP	9 KW	20 HP	9 KW	
32	2 HP	5 HP	5 HP	10 HP	10 HP	5.5 KW	10 HP	11 KW	11 KW	20 HP	11 KW	25 HP	11 KW	
63	2 HP	5 HP	5 HP	15 HP	15 HP	11 KW	15 HP	22 KW	22 KW	30 HP	22 KW	30 HP	11 KW	
80	2 HP	5 HP	5 HP	20 HP	20 HP	22 KW	20 HP	37 KW	37 KW	40 HP	37 KW	40 HP	18.5 KW	

SWITCH AMPERES	MAXIMUM KW / HORSEPOWER SINGLE PHASE						MAXIMUM KW / HORSEPOWER - 3 PHASE							
	UL98 & IEC													
UL98	120 VAC	200 VAC	240 VAC	200 VAC	208 VAC	240 VAC	220 VAC	400 VAC	415 VAC	480 VAC	500 VAC	600 VAC	690 VAC	
IEC														
30	2 HP	5 HP	5 HP	10 HP	10 HP	7.5 KW	7.5 HP	15 KW	15 KW	15 HP	15 KW	20 HP	15 KW	
60	3 HP	5 HP	7.5 HP	20 HP	20 HP	11 KW	20 HP	18.5 KW	18.5 KW	40 HP	18.5 KW	40 HP	15 KW	
100	5 HP	15 HP	15 HP	25 HP	25 HP	22 KW	30 HP	37 KW	37 KW	50 HP	37 KW	50 HP	37 KW	
200	NA	NA	NA	NA	NA	75 KW	75 HP	132 KW	132 KW	150 HP	170 KW	200 HP	240 KW	
400	NA	NA	NA	NA	NA	110 KW	125 HP	220 KW	220 KW	250 HP	280 KW	350 HP	355 KW	

EXB-FDS ELECTRICAL RATINGS

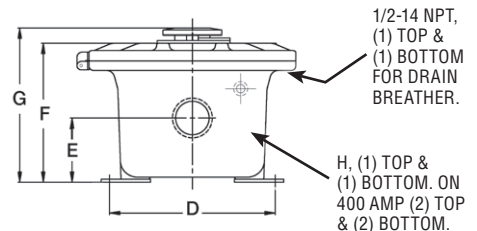
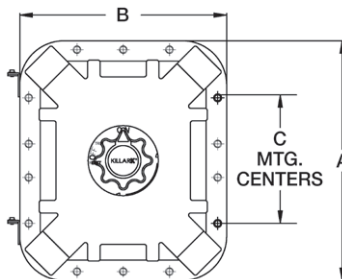
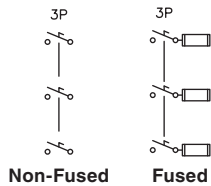
SWITCH AMPERES	MAXIMUM HORSEPOWER - THREE PHASE-3 POLE						MAXIMUM KW / HORSEPOWER - 3 PHASE							
	UL98 & IEC													
UL98	120 VAC	200 VAC	240 VAC	200 VAC	208 VAC	240 VAC	220 VAC	400 VAC	415 VAC	480 VAC	500 VAC	600 VAC	690 VAC	
IEC														
30	2 HP	3 HP	5 HP	5 HP	7.5 HP	7.5 KW	7.5 HP	15 KW	15 KW	15 HP	15 KW	20 HP	25 KW	
60	3 HP	5 HP	10 HP	15 HP	15 HP	11 KW	15 HP	30 KW	30 KW	30 HP	30 KW	50 HP	60 KW	
100	5 HP	10 HP	15 HP	25 HP	25 HP	22 KW	30 HP	90 KW	90 KW	60 HP	37 KW	75 HP	130 KW	
200	NA	NA	NA	50 HP	50 HP	75 KW	60 HP	90 KW	90 KW	125 HP	170 KW	150 HP	200 KW	
400	NA	NA	NA	100 HP	100 HP	110 KW	125 HP	230 KW	230 KW	250 HP	230 KW	350 HP	400 KW	

EXB-NFD DIMENSIONS

AMP RATING	BASIC ENCLOSURE	A	B	C	D	E	F	G	NEC STANDARD CONDUIT OUTLETS		IEC STANDARD CONDUIT OUTLETS	
									TOP	BOTTOM	TOP	BOTTOM
									16/20	EXB-664 N34 SU1	10.32 (262)	10.32 (262)
25/30	EXB-664 N34 SU1	10.32 (262)	10.32 (262)	6.09 (155)	4.00 (102)	2.75 (70)	6.50 (165)	6.50 (165)	1" NPT	1" NPT	M25	M25
32/40	EXB-664 N34 SU1	10.32 (262)	10.32 (262)	6.09 (155)	4.00 (102)	2.75 (70)	6.50 (165)	6.50 (165)	1" NPT	1" NPT	M25	M25
63/60	EXB-664 N34 SU1	10.32 (262)	10.32 (262)	6.09 (155)	4.00 (102)	2.75 (70)	6.50 (165)	6.50 (165)	1 1/2" NPT	1 1/2" NPT	M40	M40
80/80	EXB-886 N34 SU1	12.3125 (313)	12.3125 (313)	8.00 (203)	9.875 (251)	3.8125 (97)	8.125 (206)	9.4375 (240)	2" NPT	2" NPT	M50	M50
16/30/60	EXB-886 N34 SU1	12.3125 (313)	12.3125 (313)	8.00 (203)	9.875 (251)	3.8125 (97)	8.125 (206)	9.4375 (240)	1 1/2" NPT	1 1/2" NPT	M40	M40
100	EXB-8106 N34 SU1	14.3125 (364)	12.3125 (313)	8.00 (203)	9.875 (251)	3.875 (98)	8.3125 (211)	8.625 (219)	2" NPT	2" NPT	M50	M50
200	EXB-12248 N34 SU1	28.375 (721)	16.375 (416)	18.875 (479)	15.9375 (405)	5.375 (137)	11.9375 (303)	12.625 (321)	3" NPT	3" NPT	M63	M63
400	EXB-12368 N34 SU1	41.25 (1048)	17.25 (438)	31.00 (787)	15.00 (381)	5.1875(81)	11.375 (289)	12.6875 (322)	(2) 3" NPT	(2) 3" NPT	(2) M63	(2) M63

EXB-FDS DIMENSIONS

AMP RATING	BASIC ENCLOSURE	A	B	C	D	E	F	G	NEC STANDARD CONDUIT OUTLETS		IEC STANDARD CONDUIT OUTLETS	
									TOP	BOTTOM	TOP	BOTTOM
									30	EXB-8106 N34 SU1	14.3125 (364)	12.3125 (313)
60	EXB-10106 N34 SU1	15.25 (387)	15.25 (387)	14.9375 (379)	12.9375 (329)	5.062 (129)	10.9375 (278)	12.25 (311)	2" NPT	2" NPT	M40	M40
100	EXB-12188 N34 SU1	22.375 (568)	16.375 (416)	12.875 (327)	14.9375 (379)	5.375 (137)	11.0625 (281)	12.375 (314)	2" NPT	2" NPT	M50	M50
200	EXB-12248 N34 SU1	28.375 (721)	16.375 (416)	18.875 (479)	14.9375 (379)	5.375 (137)	11.9375 (303)	13.375 (340)	3" NPT	3" NPT	M63	M63
400	EXB-18368 N34 SU1	40.375 (1026)	22.375 (568)	31.50 (800)	21.25 (546)	14.375 (365)	14.375 (365)	16.50 (419)	(2) 3" NPT	(2) 3" NPT	(2) M63	(2) M63





CIRCUIT BREAKER PANELBOARDS



B7L

Class I, Div. 1 & 2, Groups B, C, D
Class I, Zones 1 & 2, Groups IIB+H2, IIA
Class II, Div. 1 & 2, Groups E, F, G
Class III, Div. 1 & 2
Type 3, 4, 4x, 7 (B, C, D) 9 (E, F, G)



Classified – File E83969

See files for details or call Killark.



Certified – File LR 11713 for B7L

Indoor/Outdoor

FEATURES-SPECIFICATIONS**Features**

- TYPE 4, 4x rated for protection from hose directed water and corrosion
- Standard electrical components: B7L-Cutler-Hammer Quicklag Breakers B7P-Cutler-Hammer Series C Breakers
- B7L is furnished with copper buss
- Main lugs. Mechanical solderless type, approved for CU or AL conductors
- Solid Neutral standard. Single phase 3 wire. Three phase 4 wire
- Copper ground bar standard
- Main and branch breaker handles can be padlocked in “ON” or “OFF” position
- Top feed panel standard with bottom feed optional
- Hinged cover, installed as standard
- Quick release, captivated coverbolts of 316 stainless steel

Materials

- Enclosure: Copper-free aluminum (less than 1/10 of 1%)
- Main Breaker Handle: Copper-free aluminum
- Cover bolts: 316 grade stainless steel
- Flange Gasket “O” Ring: Buna-N Nitrile
- Branch Breaker Operators: Valox Thermoplastic Polyester handle molded onto 316 stainless steel shaft with neoprene “O” ring

- Hinges: Copper-free aluminum with stainless steel pin and hardware
- Mounting Lugs: 1/4” thick aluminum
- Aluminum lacquer paint finish standard

Panel Selection Factors

Basic information required when specifying panelboards is as follows:

- » Environment
- » Service (Voltage/Frequency/Phase)
- » Interrupting capacity
- » AMP Rating of Main (Lugs only or Breaker)
- » Branch Breaker (Type/Number of Poles/Amperage)

Ordering Information

Specifying and ordering a complete panelboard assembly requires the selection of three components. (1) **Basic Panel** (2) **Branch Breaker** and (3) **Options** (if required). This method of cataloging permits a wide variety and maximizes circuit flexibility in our panelboard offering. Components supplied in each of these selections include:

1) Basic Panelboard Enclosures

- » Explosion-proof enclosure consisting of box and cover
- » Cover predrilled and plugged for maximum number of branch breaker handles (handles not supplied)
- » Box supplied with conduit openings

- » Main circuit breaker and external handle (when specified)
- » Panelboard internal chassis with buss bars but less branch circuit breakers

2) Branch Circuit Breakers

- » Internal circuit breaker
- » External handle mechanism with internal tripping mechanism
- » Test pushbutton for GFI (when ordered)
- » Lockout shield with on-off-trip-reset identification

3) Options – Accessories**Ordering Example**

Specification is for a 3 phase 120/208 volt panel with 100 Amp main lugs complete with (4) single pole 20 Amp (2) double pole 20 Amp and (1) three pole 30 Amp branch breakers.

Branch Breaker Total =

- (4) 1 Pole = 4 Poles Total
- (2) 2 Pole = 4 Poles Total
- (1) 3 Pole = 3 Poles Total

Total 11 Branch Poles

Specification/Ordering Example

B7L20 - 312 - ML100 (Basic panelboard enclosure) with:

- (4) B7BLA1020 (1 Pole 20 Amp Branch)
- (2) B7BLA2020 (2 Pole 20 Amp Branch)
- (1) B7BLB3030 (3 Pole 30 Amp Branch)



LIGHTING PANELBOARDS

Cutler-Hammer type BA circuit breaker 1 - 2 or 3 pole.

Catalog numbers on this page are for the basic panelboard enclosure only with a panel interior chassis containing main lugs or main breaker as illustrated.

Internal branch breakers and external handles are NOT included in the basic enclosure catalog number and must be ordered as separate items.

Branch circuit loads

The interior panel chassis supplied in B7L panel is limited to a maximum of 140 amperes at any one connection point. Breakers of 50 thru 100 amps must be installed opposite breakers of smaller amperage so as not to exceed the 140 ampere limitation.

B7L PANEL WITHOUT MAIN BREAKER (MAIN LUGS ONLY) LESS BRANCH BREAKERS						
ELECTRICAL RATING	MAIN LUG RATING	NUMBER OF BRANCH POLES	CATALOG NUMBER BASIC ENCLOSURE AND CHASSIS	ENCLOSURE BOX SIZE	MAIN WIRE RANGE	LBS
Single phase 3 wire with solid neutral 120/240 VAC	100	12	B7L20 - 112 - ML100	A	E	140
	100	18	B7L29 - 118 - ML100	B	G	190
	225	18	B7L29 - 118 - ML225	B	F	190
	100	24	B7L29 - 124 - ML100	B	G	190
	225	24	B7L41 - 124 - ML225	C	F	250
	100	30	B7L41 - 130 - ML100	C	G	250
	225	30	B7L41 - 130 - ML225	C	F	250
	225	36	B7L41 - 136 - ML225	C	F	250
	225	42	B7L41 - 142 - ML225	C	F	250
Three phase 4 wire with solid neutral 120/208 VAC	100	12	B7L20 - 312 - ML100	A	E	140
	100	18	B7L29 - 318 - ML100	B	G	190
	225	18	B7L29 - 318 - ML225	B	F	190
	100	24	B7L29 - 324 - ML100	B	G	190
	225	24	B7L41 - 324 - ML225	C	F	250
	100	30	B7L41 - 330 - ML100	C	G	250
	225	30	B7L41 - 330 - ML225	C	F	250
	225	36	B7L41 - 336 - ML225	C	F	250
	225	42	B7L41 - 342 - ML225	C	F	250

CIRCUIT BREAKER RATINGS			
TYPE	NO. OF POLES	VOLT	AMPERES SYMMETRICAL
BAB [Ⓢ]	1	120	10,000 AIC
BAB [Ⓢ]	2	120/240	10,000 AIC
BAB [Ⓢ]	3	240	10,000 AIC
BABSWN [Ⓢ]	1	120/240	10,000 AIC
BABSWN [Ⓢ]	2	120/240	10,000 AIC
QBGF	1	120	10,000 AIC
QBGF	2	120/240	10,000 AIC
QBGFEP	1	120	10,000 AIC
QBGFEP	2	120/240	10,000 AIC
BAB*D [Ⓢ]	1	120	10,000 AIC
BAB*D [Ⓢ]	2	120/240	10,000 AIC

Ⓢ Type BAB also rated for 80V DC at 5,000 AIC.

Ⓢ Type BAB* D designed for HID lighting applications.

B7L PANEL WITH MAIN BREAKER LESS BRANCH BREAKERS							
ELECTRICAL RATING	MAIN BREAKER FRAME	MAIN BREAKER AND RATING	NUMBER OF BRANCH POLES	CATALOG NUMBER BASIC ENCLOSURE AND CHASSIS	ENCLOSURE BOX SIZE	MAIN WIRE RANGE	LBS
Single phase 3 wire with solid neutral 120/240 VAC	EHD	100	12	B7L29 - 112 - MBE100	B	H	190
	EHD	100	18	B7L41 - 118 - MBE100	C	H	250
	EHD	100	24	B7L41 - 124 - MBE100	C	H	250
	ED	225	24	B7L41 - 124 - MBC225	C	I	250
	EHD	100	30	B7L41 - 130 - MBE100	C	H	250
	ED	225	30	B7L41 - 130 - MBC225	C	I	250
	ED	225	36	B7L50 - 136 - MBC225	D	I	300
	ED	225	42	B7L50 - 142 - MBC225	D	I	300
	Three phase 4 wire with solid neutral 120/208 VAC	EHD	100	12	B7L29 - 312 - MBE100	B	H
EHD		100	18	B7L41 - 318 - MBE100	C	H	250
EHD		100	24	B7L41 - 324 - MBE100	C	H	250
ED		225	24	B7L41 - 324 - MBC225	C	I	250
EHD		100	30	B7L41 - 330 - MBE100	C	H	250
ED		225	30	B7L41 - 330 - MBC225	C	I	250
ED		225	36	B7L50 - 336 - MBC225	D	I	300
ED		225	42	B7L50 - 342 - MBC225	D	I	300

B7L PANEL WITH BACK FEED MAIN BREAKER LESS BRANCH BREAKERS							
ELECTRICAL RATING	MAIN BREAKER FRAME	MAIN BREAKER AND RATING	NUMBER OF BRANCH POLES	CATALOG NUMBER BASIC ENCLOSURE AND CHASSIS	ENCLOSURE BOX SIZE	MAIN WIRE RANGE	LBS
Single phase 3 wire with solid neutral 120/240 VAC	BAB	100	12	B7L29 - 112 - MBB100	B	J	190
	BAB	100	18	B7L29 - 118 - MBB100	B	J	190
	BAB	100	24	B7L41 - 124 - MBB100	C	J	250
	BAB	100	30	B7L41 - 130 - MBB100	C	J	250
Three phase 4 wire with solid neutral 120/208 VAC	BAB	100	12	B7L29 - 312 - MBB100	B	J	190
	BAB	100	18	B7L29 - 318 - MBB100	B	J	190
	BAB	100	24	B7L41 - 324 - MBB100	C	J	250
	BAB	100	30	B7L41 - 330 - MBB100	C	J	250

NOTE: Main breaker panel includes main breaker and its price in basic enclosure part number. Refer to page DE15 for branch breaker ordering information.



BRANCH BREAKERS ACCESSORIES / OPTIONS

BRANCH CIRCUIT BREAKERS							
NUMBER OF POLES PER BREAKER	TRIP AMP RATING	B7L SERIES LIGHTING PANEL					
		BAB FRAME STANDARD	BAB FRAME HID HIGH INTENSITY DISCHARGE	BAB FRAME SWITCH NEUTRAL	QBGF GROUND FAULT 5MA	QBGP EQUIPMENT PROTECTION 30MA	
(1) Single Phase 120 Volt	SPACE	B7BLA1000	B7BLD1000	—	B7BLC1000	B7BLE1000	
	15	B7BLA1015	B7BLD1015	—	B7BLC1015	B7BLE1015	
	20	B7BLA1020	B7BLD1020	—	B7BLC1020	B7BLE1020	
	30	B7BLA1030	B7BLD1030	—	B7BLC1030	B7BLE1030	
	40	B7BLA1040	B7BLD1040	—	B7BLC1040	B7BLE1040	
	50	B7BLA1050	B7BLD1050	—	—	—	
	60	B7BLA1060	B7BLD1060	—	—	—	
	70	B7BLA1070	—	—	—	—	
	90	—	—	—	—	—	
	100	B7BLA1100	—	—	—	—	
(2) Double Pole 120/240 Volt	SPACE	B7BLA2000	B7BLD2000	B7BLF2000	B7BLC2000	B7BLE2000	
	15	B7BLA2015	B7BLD2015	B7BLF2015	B7BLC2015	B7BLE2015	
	20	B7BLA2020	B7BLD2020	B7BLF2020	B7BLC2020	B7BLE2020	
	30	B7BLA2030	B7BLD2030	B7BLF2030	B7BLC2030	B7BLE2030	
	40	B7BLA2040	B7BLD2040	—	B7BLC2040	B7BLE2040	
	50	B7BLA2050	B7BLD2050	—	B7BLC2050	B7BLE2050	
	60	B7BLA2060	B7BLD2060	—	—	—	
	70	B7BLA2070	—	—	—	—	
	90	B7BLA2090	—	—	—	—	
	100	B7BLA2100	—	—	—	—	
(3) Three Pole 120/240 Volt	SPACE	B7BLB3000	—	B7BLF3000	—	—	
	15	B7BLB3015	—	B7BLF3015	—	—	
	20	B7BLB3020	—	B7BLF3020	—	—	
	30	B7BLB3030	—	B7BLF3030	—	—	
	40	B7BLB3040	—	—	—	—	
	50	B7BLB3050	—	—	—	—	
	60	B7BLB3060	—	—	—	—	
	70	B7BLB3070	—	—	—	—	
	90	B7BLB3090	—	—	—	—	
		100	B7BLB3100	—	—	—	—
		110	—	—	—	—	—
		125	—	—	—	—	—
		150	—	—	—	—	—

MODIFICATIONS

CATALOG NUMBER	DESCRIPTION
SU-3B-4X	Drain/Breather NEMA 4X/7 B,C,D
SU-10B-4X	Drain NEMA 4X/7 B,C,D
SU-11B-4X	Breather NEMA 4X/7 B,C,D
KIT-251	Grounding kit, 100 AMP
KIT-252	Grounding kit, 225 AMP
B7SF	Special baked epoxy finish
B7EYEBOLT	Eye bolts for ease of installation [Ⓢ]
B7ML225	Change 100 amp buss to 225 amp B7P series
B7MLBTM	Main lugs at bottom
B7SPNPT	Change standard conduit size and location
B7GSN	Kit to ground neutral bar

* To be ordered as separate item with notation on order for assembly into enclosure.

Ⓢ Lifting eyebolts are installed in two conduit openings located in top of box and are to be removed after installation.

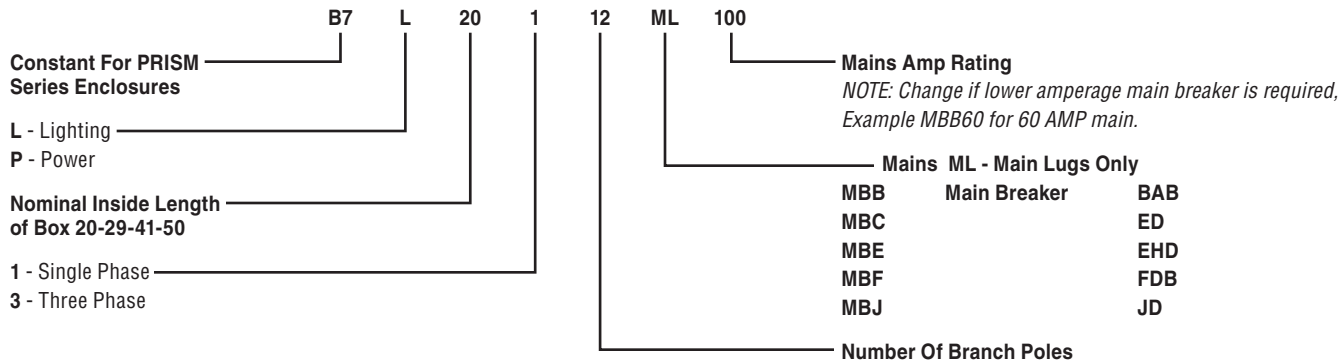
Branch Breaker Notes:

- 1) B7L panels are factory drilled for maximum number of single pole branch breaker handles and B7P for maximum number of 3 pole branch breaker handles as standard.
- 2) Part numbers illustrated above include external handle, trip mechanism, locking tab and internal breaker. Refer to page DE12 for complete ordering information and examples.
- 3) Space = External handle, shaft and trip mechanism installed to allow for future installation of breaker.
- 4) Ground Fault & Equipment protection breakers include external pushbutton for each breaker to test ground fault sensing circuit and the mechanical operation of breaker.
- 5) Switch Neutral Breaker note. A two pole breaker has one pole for breaking from main buss and one pole that breaks neutral. Three pole breaker consists of two poles for breaking from main buss and one pole that breaks neutral.



CATALOG LOGIC / WIRING / DATA DIMENSIONS

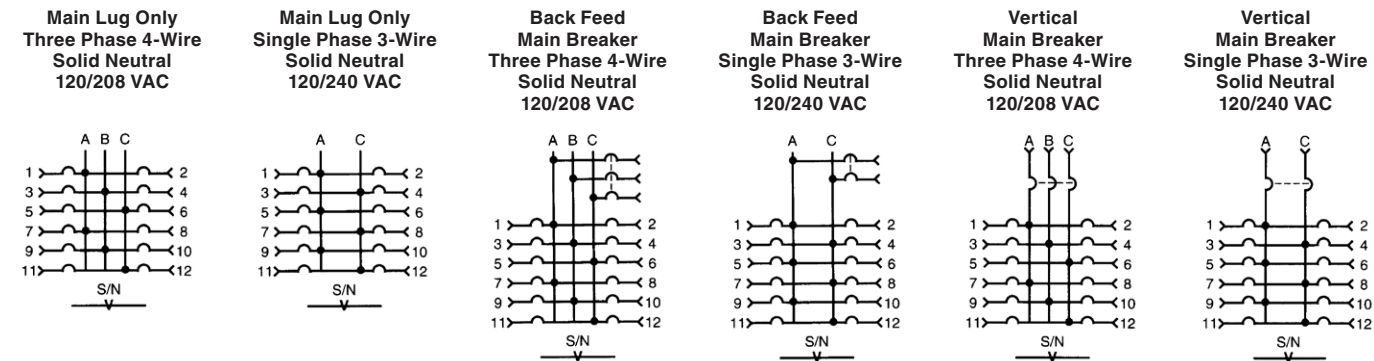
Catalog Logic – for basic Panelboard Enclosures



WIRE SIZES									
E	F	G	H	I	J	K	L	M	N
#12-#1	#6-250MCM	#12-1/0	#14-1/0	2/0-250MCM	#14-#1	#6-2/0	#6-4/0	#2-4/0	#2-2/0

Wiring Diagrams B7L Series

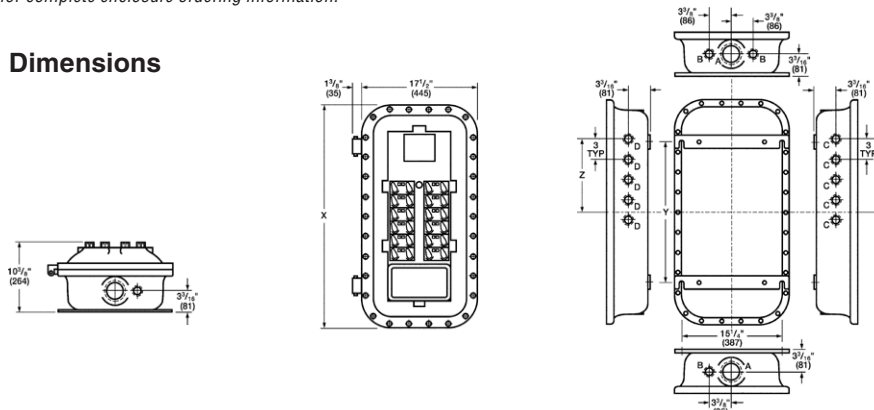
(Note: B7P Series are single column)

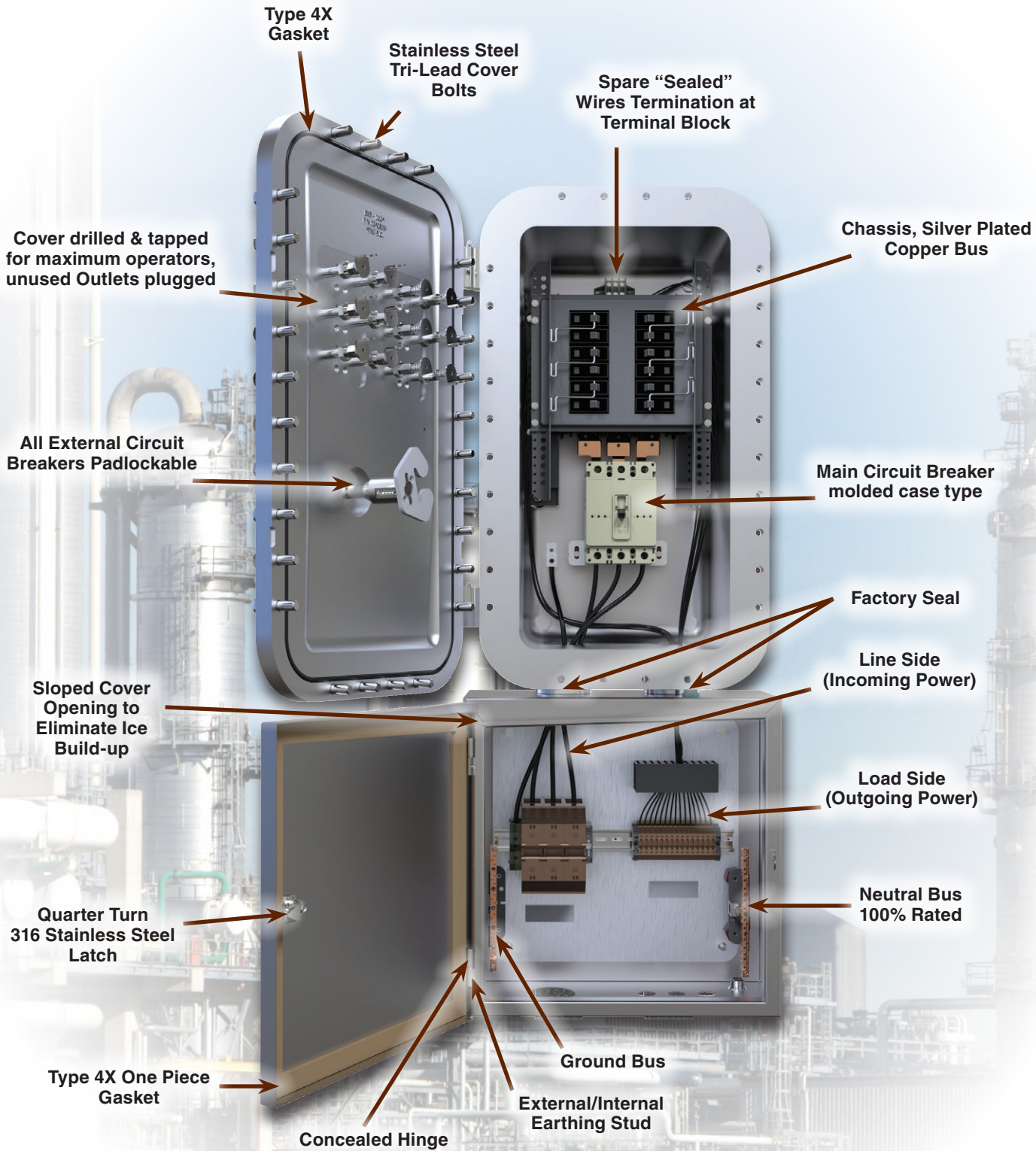


ENCLOSURE BOX SIZE		X	Y	CONDUIT SIZE		Z	CONDUIT QUANTITY			
LETTER	BASE BOX NUMBER ^①			A	B, C, D		A	B	C	D
A	MXB-13207	24-3/4"(629)	13"(330)	2"	1"	6-7/8"(175)	2	3	3	4
B	MXB-13297	33-3/8"(848)	21"(533)	2-1/2"	1"	10-7/8"(276)	2	3	4	5
C	MXB-13417	45-3/8"(1153)	33"(838)	3"	1"	16-7/8"(429)	2	3	5	6
D	MXB-13507	54-3/8"(1381)	42"(1067)	3"	1"	21-3/8"(543)	2	3	6	7

① See pages DE13 and DE14 for complete enclosure ordering information.

Dimensions







FACTORY SEALED CIRCUIT BREAKER PANELBOARDS



Class I, Div. 2, Groups B, C & D (Type 7)
Class II, Div. 2, Groups E, F & G (Type 9)
Class III, Div. 1 & 2
Class I, Zone 2, Group IIB + H2
TYPE 3, 4, 4X, 7 (B,C,D), 9 (E,F,G)



UL Classified – Standard 877, 1203



CSA Certified – Standard C22.2, Nos. 29, 30

FEATURES-SPECIFICATIONS

Features

- All hardware is stainless steel, cover bolts are quick release Tri-Lead.
- Line and load connection are pre-wired for ease of installation.
- Standard wiring chamber is stainless steel, bottom entry.
- Both enclosures are set up as a standard feature for breather/drain fittings and base to cover static ground strap.
- All circuit breakers are pad lockable in the “ON” or “OFF” positions for up to three padlocks (to allow ease of lock out – tag out capabilities).
- Silver plated copper bus panelboard interiors are standard and the cover of the explosion proof enclosure is pre-drilled for future expansion or changing breakers in the field.
- External ground lug standard.
- Solid neutral (tin plated) standard for single and three phase.
- 50°C calibrated circuit breakers are available upon request, with a “V” suffix rating.

Materials

- **Breaker enclosure:** Cast copper free aluminum (less than 1/10 of 1%)
- **Cover Bolts:** Type 316 stainless steel quick turn (Tri-Lead), finish Aluminum Lacquer Paint.
- **Wiring enclosure:** 316L Stainless Steel 14 gauge.

Electrical Ratings

- Single Phase – 120/240VAC, 3 Wire, 60hz
- Three Phase – 120/208VAC, 4 Wire, 60Hz
- Main Circuit Breaker MCCB Type (150AF/15 to 150AT for the 12 Circuit, 225AF/15 to 225AT for the 18, 24, 30, 36 & 42 Circuit), Standard AIC rating is 14KAIC at 480VAC, however higher interrupting capacity rating are available up to 65KAIC.
- MLO main lug Silver Plated Copper Bus Bars only (100A Rated for 12 Circuit, 225A FOR 18, 24, 30, 36 & 42)
- Branch Breakers (120/240VAC Quicklag Bolt-On Trip Ranges
 - » Standard BAB (10KAIC) Thermal Magnetic Breaker, 10, 15, 20, 25, 30, 35, 40, 45, 50, 55, 60, 70, 80, 90, 100 amp trip rating.

- » Higher Rated QBHW (22KAIC) Thermal Magnetic Breaker, 10, 15, 20, 25, 30, 35, 40, 45, 50, 55, 60, 70, 80, 90, 100 amp trip rating.
- » Ground Fault QBGF GFI (5mA Sensitivity) Type, 1 and 2 pole, 15, 20, 25, 30, 40, (50A available in two pole only).
- » Equipment Protection QBGEP EPD (30mA Sensitivity) Type, 15, 1 and 2 pole, 20, 25, 30, 40, (50A available in two pole only).
- » High Intensity Discharge BAB HID, 1 and 2 Pole, 15, 20, 25, 30, 40, 50, 60 amp rating.

MODIFICATIONS

CATALOG NO.	DESCRIPTION
KIT-251	Grounding kit, 100 AMP
KIT-252	Grounding kit, 225 AMP
B7SF	Special baked epoxy finish
B7EYEBOLT	Eye bolts for ease of installation
B7GSN	Kit to ground neutral bar



FACTORY SEALED CIRCUIT BREAKER PANELBOARDS



Class I, Div. 2, Groups B, C, D
(Type 7 for Gas Group)
Class I, Zone 2, Groups IIB+H2, IIA
Class II, Div. 2, Groups F, G
(Type 9 for Dust Group)
Class III, Div. 1 & 2
TYPE 3, 4, 4X, 7 & 9

Classified – File E83969

Certified – File LR11713

Catalog Numbers on this page are for the basic Termination Enclosure with distribution, neutral, ground bar and terminal blocks plus a Breaker Enclosure with internal pan. Enclosures are connected together with factory poured sealing chambers and mounted on aluminum frame for wall mounting.

External breaker handles and internal branch breakers are not included and must be ordered as separate items for factory installation.

CIRCUIT BREAKER RATINGS

TYPE	NO. OF POLES	VOLT	AMPERES SYMMETRICAL
BAB ^①	1	120	10,000 AIC
BAB ^①	2	120/240	10,000 AIC
BAB ^①	3	240	10,000 AIC
QBHW	1	120/240	22,000AIC
QBHW	2	120/240	22,000AIC
QBHW	2	240	22,000AIC
QBHW	3	240	22,000AIC
BABSWN ^①	1	120/240	10,000 AIC
BABSWN ^①	2	120/240	10,000 AIC
QBGF	1	120	10,000 AIC
QBGF	2	120/240	10,000 AIC
QBGFEP	1	120	10,000 AIC
QBGFEP	2	120/240	10,000 AIC
BAB*D ^②	1	120	10,000 AIC
BAB*D ^②	2	120/240	10,000 AIC

D2LC FACTORY SEALED LIGHTING PANELBOARD

MAIN LUG ONLY

ELECTRICAL RATING	# OF BRANCH POLES	MAIN LUG RATING AMPS	CATALOG NO. BASIC ENCLOSURE	MAIN WIRE RANGE	PANEL SIZE	ENCLOSURE EXB	ENCLOSURE TERMINAL BOX
SINGLE PHASE 3 WIRE WITH SOLID NEUTRAL 120/240VAC	12	100	D2LC-112-ML100	#14AWG-2/0	A	EXB-12188 N34	USFS181808
	18	225	D2LC-118-ML225	#6AWG-350MCM	B	EXB-12248 N34	USFS181808
	24	225	D2LC-124-ML225	#6AWG-350MCM	B	EXB-12248 N34	USFS181808
	30	225	D2LC-130-ML225	#6AWG-350MCM	C	EXB-12368 N34	USF241808
	36	225	D2LC-136-ML225	#6AWG-350MCM	C	EXB-12368 N34	USF241808
THREE PHASE 4 WIRE WITH SOLID NEUTRAL 120/208VAC	12	100	D2LC-312-ML100	#14AWG-2/0	A	EXB-12188 N34	USFS181808
	18	225	D2LC-318-ML225	#6AWG-350MCM	B	EXB-12248 N34	USFS181808
	24	225	D2LC-324-ML225	#6AWG-350MCM	B	EXB-12248 N34	USFS181808
	30	225	D2LC-330-ML225	#6AWG-350MCM	C	EXB-12368 N34	USF241808
	36	225	D2LC-336-ML225	#6AWG-350MCM	C	EXB-12368 N34	USF241808
42	225	D2CL-342-ML225	#6AWG-400MCM	D	EXB-12368 N34	USF241808	

MAIN CIRCUIT BREAKER (MCCB)

ELECTRICAL RATING	# OF BRANCH POLES	MAIN CIRCUIT BREAKER		CATALOG NO. BASIC ENCLOSURE	INCOMING MAIN WIRE RANGE	PANEL SIZE	ENCLOSURE EXB	ENCLOSURE TERMINAL BOX
		FRAME	AMPS					
SINGLE PHASE 3 WIRE WITH SOLID NEUTRAL 120/240VAC	12	EHD	100	D2LC-112-MB100	#14AWG - 1/0	B	EXB-12248 N34	USFS181808
	18	ED	225	D2LC-118-MB225	#4AWG - 4/0	C	EXB-12368 N34	USFS241808
	24	ED	225	D2LC-124-MB225	#4AWG - 4/0	C	EXB-12368 N34	USFS241808
	30	ED	225	D2LC-130-MB225	#4AWG - 4/0	C	EXB-12368 N34	USF241808
	36	ED	225	D2LC-136-MB225	#4AWG - 4/0	C	EXB-12368 N34	USF241808
THREE PHASE 4 WIRE WITH SOLID NEUTRAL 120/208VAC	12	EHD	100	D2LC-312-MB100	#14AWG - 1/0	B	EXB-12218 N34	USFS181808
	18	ED	225	D2LC-318-MB225	#4AWG - 4/0	C	EXB-12368 N34	USFS241808
	24	ED	225	D2LC-324-MB225	#4AWG - 4/0	C	EXB-12368 N34	USFS241808
	30	ED	225	D2LC-330-MB225	#4AWG - 4/0	C	EXB-12368 N34	USF241808
	36	ED	225	D2LC-336-MB225	#4AWG - 4/0	C	EXB-12368 N34	USF241808
42	EC	225	D2CL-342-MB225	#4AWG - 4/0	D	EXB-12368 N34	USF241808	

NOTE: To substitute a lower amperage main breaker change last three digits of catalog number to desired amperage.

Example: For a 50 amp main breaker part number = D2L-309-MBQ050

See page DE4 for Branch Breaker Selection

See page DE5 for Dimensions, Wire Range Chart and Wiring Diagrams.

Panels are constructed with Terminal Box on Bottom Feed.

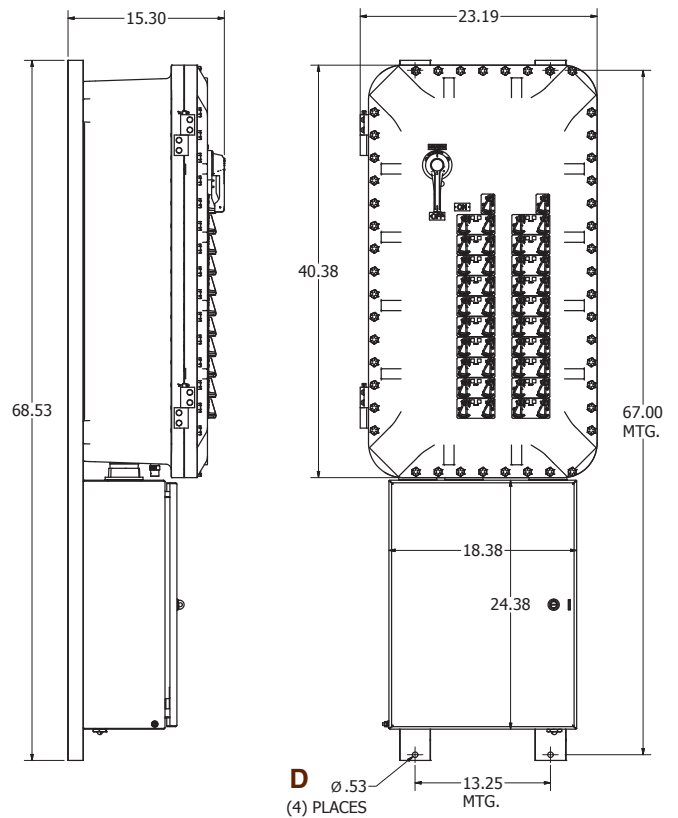
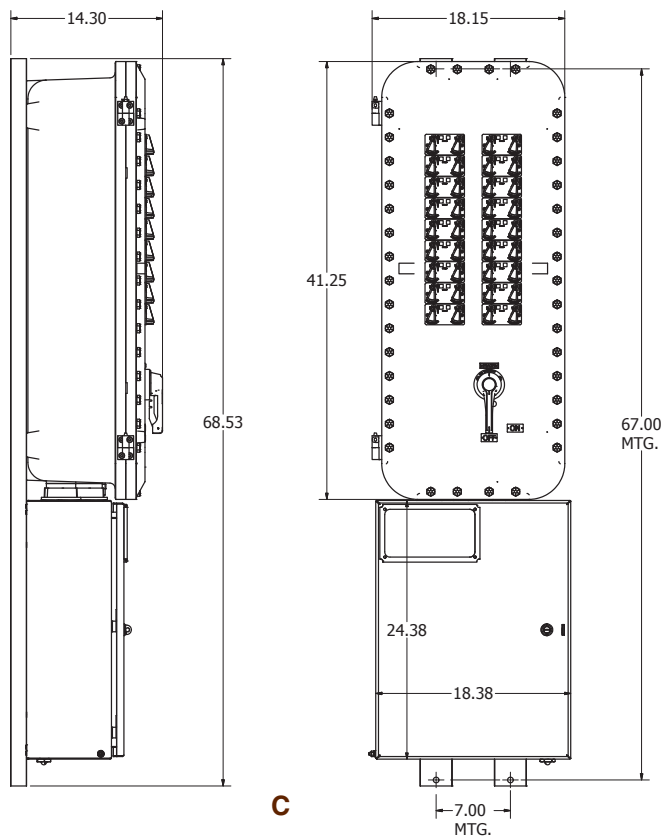
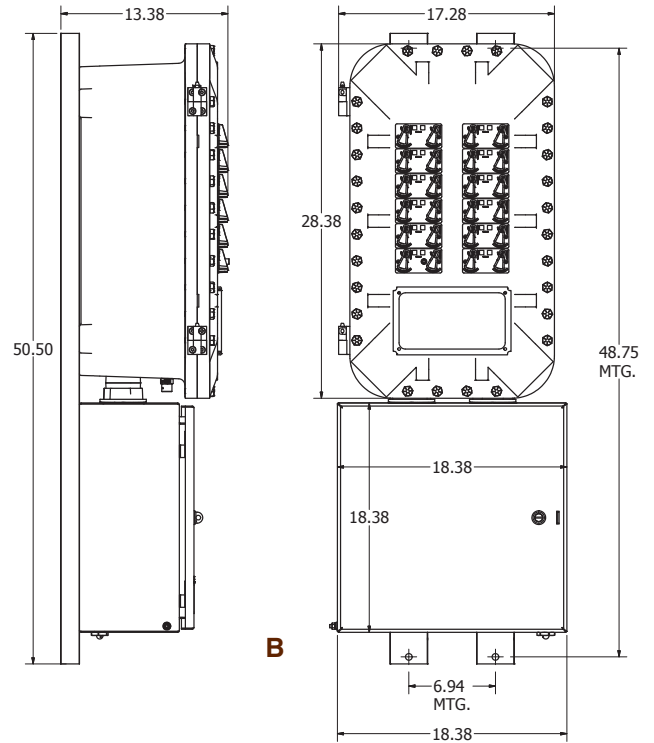
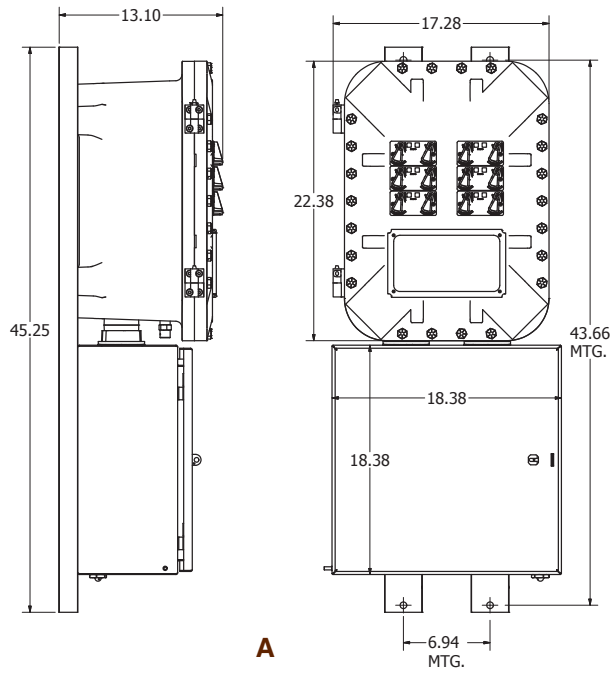
If Bottom Feed is required order modification D2MLBTM for inverted panel with Terminal Box on Bottom.

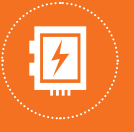
① Type BAB also rated for 80V DC at 5,000 AIC.

② Type BAB* D designed for HID lighting applications.



DIMENSIONAL DRAWINGS





BRANCH BREAKERS ACCESSORIES / OPTIONS



**Class I, Div. 2, Groups B, C, D (Type 7)
Gas Group**
Class I, Zone 2, Groups IIB+H2, IIA
**Class II, Div. 2, Groups F, G (Type 9 Dust
Group)**
Class III, Div. 1 & 2
TYPE 3, 4, 4X, 7 & 9

 Classified – File E83969

 Certified – File LR11713

- NOTES:**
- 1) Part numbers below include external handle, trip mechanism, locking tab and internal branch circuit breaker.
 - 2) Refer to page DE2 for complete ordering information and examples.
 - 3) Refer to pages DE3 and DE4 for maximum voltage and ratings of circuit breakers.
 - 4) Space = External handle, trip mechanism installed to allow for future installations of breakers.
 - 5) Ground Fault and Equipment protection breakers include external button for test purpose.
 - 6) Handle only.

BRANCH CIRCUIT BREAKERS							
NUMBER OF POLES PER BREAKER	TRIP AMP RATING	BAB FRAME 10KAIC STANDARD	QBHW FRAME 22KAIC HIGH BREAK	QBGF GROUND FAULT 5MA	QBGEQ EQUIPMENT PROTECTION 30MA	BAB FRAME HID HIGH INTENSITY DISCHARGE	BAB FRAME SWITCHED NEUTRAL
(1) ONE POLE 120/240VAC 62.5VDC	SPACE (HANDLE ONLY)	B7BLA1000	B7BLG1000	B7BLC1000	B7BLE1000	B7BLD1000	
	10	B7BLA1010	B7BLG1010				
	15	B7BLA1015	B7BLG1015	B7BLC1015	B7BLE1015	B7BLD1015	
	20	B7BLA1020	B7BLG1020	B7BLC1020	B7BLE1020	B7BLD1020	
	25	B7BLA1025	B7BLG1025	B7BLC1025	B7BLE1025		
	30	B7BLA1030	B7BLG1030	B7BLC1030	B7BLE1030	B7BLD1030	
	35	B7BLA1035	B7BLG1035				
	40	B7BLA1040	B7BLG1040	B7BLC1040	B7BLE1040	B7BLD1040	
	45	B7BLA1045	B7BLG1045				
	50	B7BLA1050	B7BLG1050			B7BLD1050	
	55	B7BLA1055	B7BLG1055				
	60	B7BLA1060	B7BLG1060			B7BLD1060	
	70	B7BLA1070	B7BLG1070				
	80						
	90						
100	B7BLA1100						
110							
125							

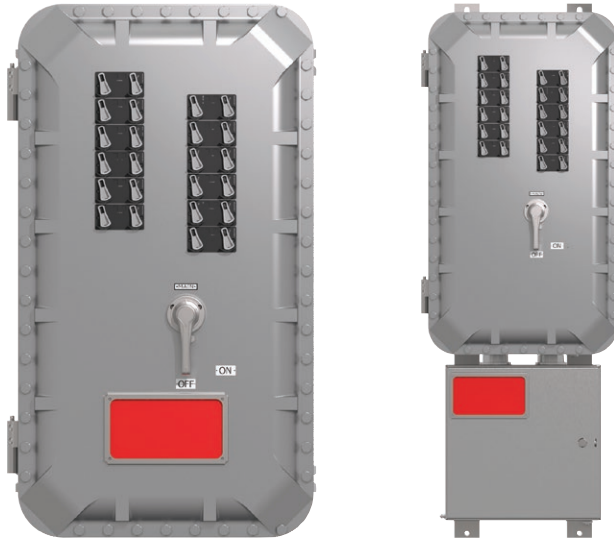


BRANCH BREAKERS ACCESSORIES / OPTIONS

BRANCH CIRCUIT BREAKERS							
NUMBER OF POLES PER BREAKER	TRIP AMP RATING	BAB FRAME 10KAIC STANDARD	QBHW FRAME 22KAIC HIGH BREAK	QBGF GROUND FAULT 5MA	QBGEF EQUIPMENT PROTECTION 30MA	BAB FRAME HID HIGH INTENSITY DISCHARGE	BAB FRAME SWITCHED NEUTRAL
(2) DOUBLE POLE 120/240VAC 80VDC	SPACE (HANDLE ONLY)	B7BLA2000	B7BLG2000	B7BLC2000	B7BLE2000	B7BLD2000	B7BLF2000
	10	B7BLA2010	B7BLG2010				
	15	B7BLA2015	B7BLG2015	B7BLC2015	B7BLE2015	B7BLD2015	B7BLF2015
	20	B7BLA2020	B7BLG2020	B7BLC2020	B7BLE2020	B7BLD2020	B7BLF2020
	25	B7BLA2025	B7BLG2025	B7BLC2025	B7BLE2025		
	30	B7BLA2030	B7BLG2030	B7BLC2030	B7BLE2030	B7BLD2030	B7BLF2030
	35	B7BLA2035	B7BLG2035				
	40	B7BLA2040	B7BLG2040	B7BLC2040	B7BLE2040	B7BLD2040	
	45	B7BLA2045	B7BLG2045				
	50	B7BLA2050	B7BLG2050	B7BLC2050	B7BLE2050	B7BLD2050	
	55	B7BLA2055	B7BLG2055				
	60	B7BLA2060	B7BLG2060			B7BLD2060	
	70	B7BLA2070	B7BLG2070				
	80	B7BLA2080	B7BLG2080				
	90	B7BLA2090	B7BLG2090				
	100	B7BLA2100	B7BLG2100				
	110	B7BLA2110	B7BLG2110				
125	B7BLA2125	B7BLG2125					
(2) DOUBLE POLE 240VAC	SPACE (HANDLE ONLY)		B7BLG2000				
	10		B7BLG2010H				
	15		B7BLG2015H				
	20		B7BLG2020H				
	25		B7BLG2025H				
	30		B7BLG2030H				
	35		B7BLG2035H				
	40		B7BLG2040H				
	45		B7BLG2045H				
	50		B7BLG2050H				
	55		B7BLG2055H				
	60		B7BLG2060H				
	70		B7BLG2070H				
	80		B7BLG2080H				
	90		B7BLG2090H				
100		B7BLG2100H					
110		B7BLG2110H					
125		B7BLG2125H					
(3) THREE POLE 240VAC	SPACE (HANDLE ONLY)	B7BLB3000	B7BLG3000				B7BLF3000
	10	B7BLB3010	B7BLG3010H				
	15	B7BLB3015	B7BLG3015H				B7BLF3015
	20	B7BLB3020	B7BLG3020H				B7BLF3020
	25	B7BLB3025	B7BLG3025H				
	30	B7BLB3030	B7BLG3030H				B7BLF3030
	35	B7BLB3035	B7BLG3035H				
	40	B7BLB3040	B7BLG3040H				
	45	B7BLB3045	B7BLG3045H				
	50	B7BLB3050	B7BLG3050H				
	55	B7BLB3055	B7BLG3055H				
	60	B7BLB3060	B7BLG3060H				
	70	B7BLB3070	B7BLG3070H				
	80	B7BLB3080	B7BLG3080H				
	90	B7BLB3090	B7BLG3090H				
	100	B7BLB3100	B7BLG3100H				
	110	B7BLB3110	B7BLG3110H				
125	B7BLB3125	B7BLG3125H					



EXPB²™



EXPB
 Panelboard

NEC / CEC Certifications

NEC / CEC Certifications

Class I, Groups B, C & D

Class I, Zone 1, AEx d IIB+H2

Class II, Groups E, F & G

Class III

Type 3, 4, 4X, 7 (B,C,D), 9 (E,F,G)

Ta = -60°C to +70°C (UL & CSA) T5 or T6



Files E83969



File LR11713

NOTE: Non-factory seal is available as QUAD labeled.

II 2 GD CE 0518

PTB 07 ATEX 1024 (Enclosure with Controls)

IEC Ex 07.0022U



IEC Ex 07.0023

FEATURES-SPECIFICATIONS

Features

- All hardware is stainless steel, cover bolts are quick release Tri-Lead.
- All circuit breaker are pad lockable in the "ON" or "OFF" position for up to three padlocks (to allow ease of lock out - tag out capabilities).
- Operating Temperature of 0°C to +40°C
- Copper bus panelboard interiors are standard with dead front trim plate for safety.
- Available as non-factory sealed or factory sealed.
- Factory sealed has a stainless steel wiring chamber set up for bottom entry.
- Line and Load connections are pre-wired for ease of installation on factory sealed version.

Materials

Breaker Enclosure

- Cast copper free aluminum (less than 1/10 of 1%). Finish aluminum wet lacquer paint.
- Main Breaker Handle: Copper-free aluminum.
- Flange Gasket "O" Ring: Buna-N-Nitrile.
- Branch Breaker Operators: Valox Thermoplastic Polyester handle molded onto 316 stainless steel shaft with neoprene "O" ring.
- Hinges: Copper-free aluminum with stainless steel pin and hardware.
- Mounting Lugs: 1/4" thick aluminum.

Wiring Enclosure

- Type 316 Stainless Steel, 14 Gauge. Killark USF style enclosure suitable for direct entry via hub or cable gland knockouts. Cable gland plates are available upon request.
- Quarter turn 316 stainless steel latch.
- Sloped cover opening to eliminate ice build-up.
- Concealed hinge.
- External/Internal earthing stud.

- Type 4X one piece gasket.
- Ground bus.
- Neutral bus, optional if required.

Electrical Rating

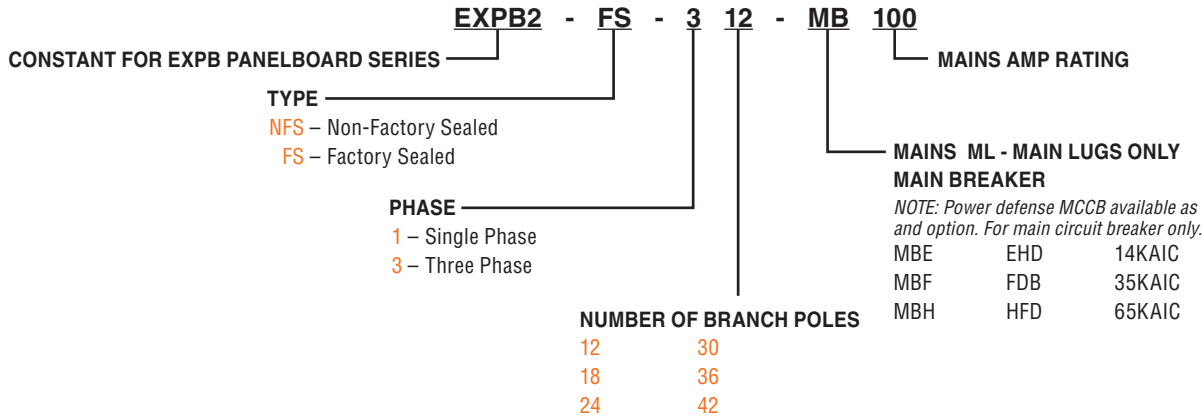
- 277/480 Wye VAC, 3 Phase, 3 or 4 Wire. US
- 347/600 Wye VAC, 3 Phase, 3 or 4 Wire. Canada
- 50/60Hz Frequency
- 14K AIC Standard.
- 35K AIC Optional.
- 65K AIC Optional.
- Main Circuit Breaker Options

MODIFICATIONS	
SUFFIX NUMBER	DESCRIPTION
KIT-251	100 amp ground lug
KIT-252	225 amp ground lug
SU3-ATEX	ATEX IECEx Drain & breather installed. Groups B & Ex d IIB+H2
SU3B-4X	Type 4X drain D & breather installed. Group B, C, D Type 4X
SU2	Install hinges (8x10 and smaller enclosures)
SU9	Special paint finish
SU14	Fungus proofing of enclosures
SU93	Do not paint enclosures



EXPB2 SMALL POWER PANELBOARD

CATALOG LOGIC



EXPB2 FACTORY SEALED POWER PANELBOARD

MAIN LUG ONLY

ELECTRICAL RATING	NUMBER OF BRANCH POLES	MAIN LUG RATING AMPS	CATALOG NUMBER BASIC ENCLOSURE	MAIN WIRE RANGE	ENCLOSURE EXB	ENCLOSURE TERMINAL BOX
SINGLE PHASE 277/480Y VAC 125 VDC	12	100	EXPB2-FS-112-ML100	#14AWG-2/0AWG	EXB-18248 N34	USF181808
	18	225	EXPB2-FS-118-ML225	#6AWG-350MCM	EXB-18248 N34	USF181808
	24	225	EXPB2-FS-124-ML225	#6AWG-350MCM	EXB-18248 N34	USF181808
	30	225	EXPB2-FS-130-ML225	#6AWG-350MCM	EXB-18368 N34	USF181808
	36	225	EXPB2-FS-136-ML225	#6AWG-350MCM	EXB-18368 N34	USF181808
	42	225	EXPB2-FS-142-ML225	#6AWG-350MCM	EXB-18368 N34	USF181808
THREE PHASE 277/480Y VAC 125 VDC	12	100	EXPB2-FS-312-ML100	#14AWG-2/0AWG	EXB-18248 N34	USF181808
	18	225	EXPB2-FS-318-ML225	#6AWG-350MCM	EXB-18248 N34	USF181808
	24	225	EXPB2-FS-324-ML225	#6AWG-350MCM	EXB-18248 N34	USF181808
	30	225	EXPB2-FS-330-ML225	#6AWG-350MCM	EXB-18368 N34	USF181808
	36	225	EXPB2-FS-336-ML225	#6AWG-350MCM	EXB-18368 N34	USF181808
	42	225	EXPB2-FS-342-ML225	#6AWG-350MCM	EXB-18368 N34	USF181808

MAIN CIRCUIT BREAKER (MCCB)

ELECTRICAL RATING	NUMBER OF BRANCH POLES	MAIN CIRCUIT BREAKER		CATALOG NUMBER BASIC ENCLOSURE	INCOMING MAIN WIRE RANGE	ENCLOSURE EXB	ENCLOSURE TERMINAL BOX
		FRAME	AMPS				
SINGLE PHASE 277/480Y VAC 125 VDC	12	EHD	100	EXPB2-FS-112-MB100	#14AWG - 1/0AWG	EXB-18248 N34	USF181808
	18	FD	225	EXPB2-FS-118-MB225	#4AWG - 4/0AWG	EXB-18248 N34	USF181808
	24	FD	225	EXPB2-FS-124-MB225	#4AWG - 4/0AWG	EXB-18368 N34	USF181808
	30	FD	225	EXPB2-FS-130-MB225	#4AWG - 4/0AWG	EXB-18368 N34	USF181808
	36	FD	225	EXPB2-FS-136-MB225	#4AWG - 4/0AWG	EXB-18368 N34	USF181808
	42	FD	225	EXPB2-FS-142-MB225	#4AWG - 4/0AWG	EXB-24368 N34	USF242408
THREE PHASE 277/480Y VAC 125 VDC	12	EHD	100	EXPB2-FS-312-MB100	#14AWG - 1/0AWG	EXB-18248 N34	USF181808
	18	FD	225	EXPB2-FS-318-MB225	#4AWG - 4/0AWG	EXB-18248 N34	USF181808
	24	FD	225	EXPB2-FS-324-MB225	#4AWG - 4/0AWG	EXB-18368 N34	USF181808
	30	FD	225	EXPB2-FS-330-MB225	#4AWG - 4/0AWG	EXB-18368 N34	USF181808
	36	FD	225	EXPB2-FS-336-MB225	#4AWG - 4/0AWG	EXB-18368 N34	USF181808
	42	FD	225	EXPB2-FS-342-MB225	#4AWG - 4/0AWG	EXB-24368 N34	USF242408

DISTRIBUTION EQUIPMENT

EXPB2 SMALL POWER PANELBOARD



EXPB2 NON-FACTORY SEALED POWER PANELBOARD

MAIN LUG ONLY

ELECTRICAL RATING	NUMBER OF BRANCH POLES	MAIN LUG RATING AMPS	CATALOG NUMBER BASIC ENCLOSURE	MAIN WIRE RANGE	ENCLOSURE EXB
SINGLE PHASE 277/480Y VAC 125 VDC	12	100	EXPB2-NFS-112-ML100	#14AWG-2/0	EXB-18248 N34
	18	225	EXPB2-NFS-118-ML225	#6AWG-350MCM	EXB-18248 N34
	24	225	EXPB2-NFS-124-ML225	#6AWG-350MCM	EXB-18248 N34
	30	225	EXPB2-NFS-130-ML225	#6AWG-350MCM	EXB-18368 N34
	36	225	EXPB2-NFS-136-ML225	#6AWG-350MCM	EXB-18368 N34
	42	225	EXPB2-NFS-142-ML225	#6AWG-400MCM	EXB-18368 N34
THREE PHASE 277/480Y VAC 125 VDC	12	100	EXPB2-NFS-312-ML100	#14AWG-2/0	EXB-18248 N34
	18	225	EXPB2-NFS-318-ML225	#6AWG-350MCM	EXB-18248 N34
	24	225	EXPB2-NFS-324-ML225	#6AWG-350MCM	EXB-18248 N34
	30	225	EXPB2-NFS-330-ML225	#6AWG-350MCM	EXB-18368 N34
	36	225	EXPB2-NFS-336-ML225	#6AWG-350MCM	EXB-18368 N34
	42	225	EXPB2-NFS-342-ML225	#6AWG-400MCM	EXB-18368 N34

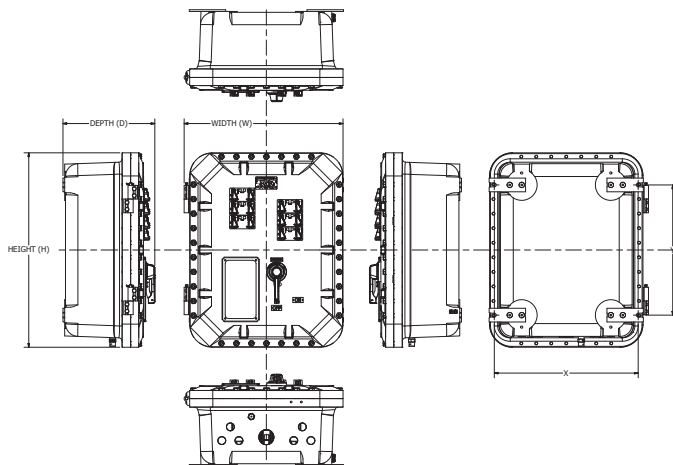
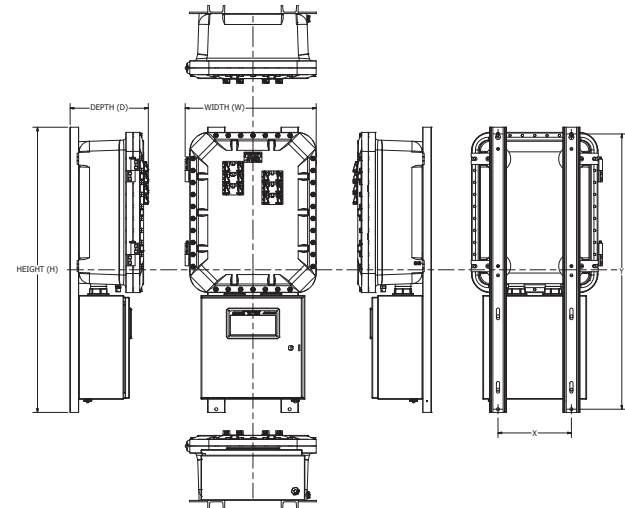
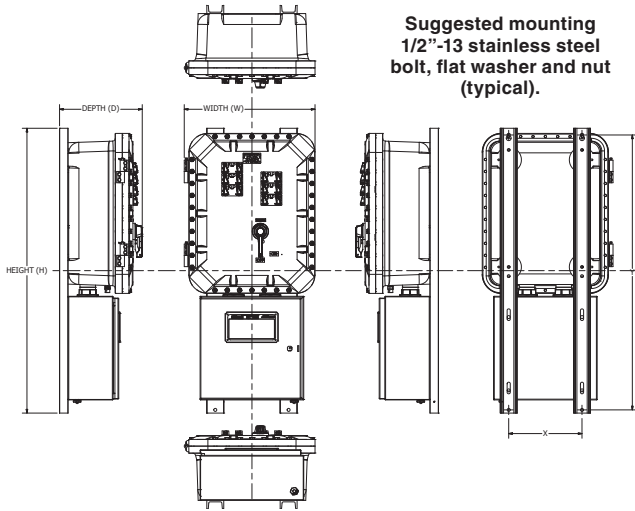
MAIN CIRCUIT BREAKER (MCCB)

ELECTRICAL RATING	NUMBER OF BRANCH POLES	MAIN CIRCUIT BREAKER		CATALOG NUMBER BASIC ENCLOSURE	INCOMING MAIN WIRE RANGE	ENCLOSURE EXB
		FRAME	AMPS			
SINGLE PHASE 277/480Y VAC 125 VDC	12	EHD	100	EXPB2-NFS-112-MB100	#14AWG - 1/0	EXB-18248 N34
	18	FD	225	EXPB2-NFS-118-MB225	#4AWG - 4/0	EXB-18308 N34
	24	FD	225	EXPB2-NFS-124-MB225	#4AWG - 4/0	EXB-18368 N34
	30	FD	225	EXPB2-NFS-130-MB225	#4AWG - 4/0	EXB-18368 N34
	36	FD	225	EXPB2-NFS-136-MB225	#4AWG - 4/0	EXB-24368 N34
	42	FD	225	EXPB2-NFS-142-MB225	#4AWG - 4/0	EXB-24368 N34
THREE PHASE 277/480Y VAC 125 VDC	12	EHD	100	EXPB2-NFS-312-MB100	#14AWG - 1/0	EXB-18248 N34
	18	FD	225	EXPB2-NFS-318-MB225	#4AWG - 4/0	EXB-18368 N34
	24	FD	225	EXPB2-NFS-324-MB225	#4AWG - 4/0	EXB-24368 N34
	30	FD	225	EXPB2-NFS-330-MB225	#4AWG - 4/0	EXB-24368 N34
	36	FD	225	EXPB2-NFS-336-MB225	#4AWG - 4/0	EXB-24368 N34
	42	FD	225	EXPB2-NFS-342-MB225	#4AWG - 4/0	EXB-24368 N34



EXPB2 SMALL POWER PANELBOARD

Suggested mounting
1/2"-13 stainless steel
bolt, flat washer and nut
(typical).



EXPB2FS-MB							
CIRCUITS	EXB	USF	OVERALL			MOUNTING	
			HEIGHT (H)	WIDTH (W)	DEPTH (D)	X	Y
12	EXB-18248	USF-18188	50.5 (1283)	23.19 (589)	14.66 (372)	13 (330)	48.75 (1238)
18	EXB-18248	USF-18188	50.5 (1283)	23.19 (589)	14.66 (372)	13 (330)	48.75 (1238)
24	EXB-18368	USF-18188	63 (1600)	23.19 (589)	15.15 (385)	13.25 (337)	61.75 (1568)
30	EXB-18368	USF-18188	63 (1600)	23.19 (589)	15.31 (389)	13.25 (337)	61.75 (1568)
36	EXB-18368	USF-18188	63 (1600)	23.19 (589)	15.31 (389)	13.25 (337)	61.75 (1568)
42	EXB-24368	USF-24248	68.53 (1741)	30.06 (764)	15.25 (387)	19.56 (497)	67 (1702)

EXPB2FS-MLO							
CIRCUITS	EXB	USF	OVERALL			MOUNTING	
			HEIGHT (H)	WIDTH (W)	DEPTH (D)	X	Y
12	EXB-18248	USF-18188	50.5 (1283)	23.19 (589)	13.84 (352)	13 (330)	48.75 (1238)
18	EXB-18248	USF-18188	50.5 (1283)	23.19 (589)	13.84 (352)	13 (330)	48.75 (1238)
24	EXB-18248	USF-18188	50.5 (1283)	23.19 (589)	13.84 (352)	13 (330)	48.75 (1238)
30	EXB-18368	USF-18188	63 (1600)	23.19 (589)	14.49 (368)	13.25 (337)	61.75 (1568)
36	EXB-18368	USF-18188	63 (1600)	23.19 (589)	14.49 (368)	13.25 (337)	61.75 (1568)
42	EXB-18368	USF-18188	63 (1600)	23.19 (589)	14.49 (368)	13.25 (337)	61.75 (1568)

EXPB2NFS-MB							
CIRCUITS	EXB SIZE	OVERALL			MOUNTING		
		HEIGHT (H)	WIDTH (W)	DEPTH (D)	X	Y	
12	EXB-18248	28.38 (721)	23.19 (589)	13.41 (341)	21 (533)	19 (483)	
18	EXB-18308	35.38 (889)	22.38 (568)	14.01 (356)	21.25 (540)	26.50 (673)	
24	EXB-18368	40.38 (1026)	23.19 (589)	14.06 (357)	21.25 (540)	31.5 (800)	
30	EXB-18368	40.38 (1026)	23.19 (589)	14.06 (357)	21.25 (540)	31.5 (800)	
36	EXB-24368	41.25 (1048)	30.06 (764)	14.01 (356)	27.56 (700)	31.56 (802)	
42	EXB-24368	41.25 (1048)	30.06 (764)	14.01 (356)	27.56 (700)	31.56 (802)	

DISTRIBUTION EQUIPMENT

EXPB2 SMALL POWER PANELBOARD

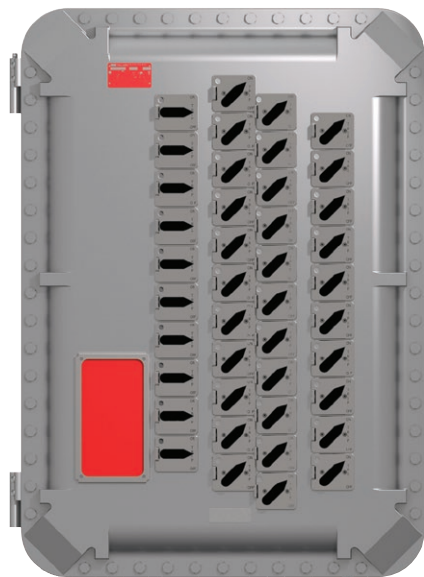


U.S. BRANCH CIRCUIT BREAKERS										
NUMBER OF POLES PER BREAKER	TRIP AMP RATING	GHB 277/480Y VAC 125 VDC 14KAIC @ 277VAC	HGHB 277 VAC 125 VDC 25KAIC @ 277 VAC	GHBGFEP 277 VAC 1P+N, 30MA EPD 14KAIC @ 277 VAC	NUMBER OF POLES PER BREAKER	TRIP AMP RATING	GHB 277/480Y VAC 125/259 VDC 14KAIC @ 480Y VAC	NUMBER OF POLES PER BREAKER	TRIP AMP RATING	GHB 277/480Y VAC 125/259 VDC 14KAIC @ 480Y VAC
(1) ONE POLE	SPARE (HANDLE ONLY)	FUT1000	FUT1000	FUTEPD1	(2) TWO POLE	SPARE (HANDLE ONLY)	FUT2000	(3) THREE POLE	SPARE (HANDLE ONLY)	FUT3000
	15	GHB1015	HGHB1015	GHBGFEP1015		15	GHB2015		15	GHB3015
	20	GHB1020	HGHB1020	GHBGFEP1020		20	GHB2020		20	GHB3020
	25	GHB1025	HGHB1025			25	GHB2025		25	GHB3025
	30	GHB1030	HGHB1030	GHBGFEP1030		30	GHB2030		30	GHB3030
	35	GHB1035				35	GHB2035		35	GHB3035
	40	GHB1040		GHBGFEP1040		40	GHB2040		40	GHB3040
	45	GHB1045				45	GHB2045		45	GHB3045
	50	GHB1050		GHBGFEP1050		50	GHB2050		50	GHB3050
	60	GHB1060		GHBGFEP1060		60	GHB2060		60	GHB3060
	70	GHB1070				70	GHB2070		70	GHB3070
	80	GHB1080				80	GHB2080		80	GHB3080
	90	GHB1090				90	GHB2090		90	GHB3090
100	GHB1100			100	GHB2100	100	GHB3100			

CANADA BRANCH CIRCUIT BREAKERS								
NUMBER OF POLES PER BREAKER	TRIP AMP RATING	GBH 347/600Y VAC 125 VDC 14KAIC @ 347/600Y VAC	NUMBER OF POLES PER BREAKER	TRIP AMP RATING	GBH 347/600Y VAC 125 VDC 14KAIC @ 347/600Y VAC	NUMBER OF POLES PER BREAKER	TRIP AMP RATING	GBH 347/600Y VAC 125 VDC 14KAIC @ 347/600Y VAC
(1) ONE POLE	SPARE (HANDLE ONLY)	FUT1000	(2) TWO POLE	SPARE (HANDLE ONLY)	FUT2000	(3) THREE POLE	SPARE (HANDLE ONLY)	FUT3000
	15	GBH1015		15	GBH2015		15	GBH3015
	20	GBH1020		20	GBH2020		20	GBH3020
	25	GBH1025		25	GBH2025		25	GBH3025
	30	GBH1030		30	GBH2030		30	GBH3030
	35	GBH1035		35	GBH2035		35	GBH3035
	40	GBH1040		40	GBH2040		40	GBH3040
	45	GBH1045		45	GBH2045		45	GBH3045
	50	GBH1050		50	GBH2050		50	GBH3050
	60	GBH1060		60	GBH2060		60	GBH3060
	70	GBH1070		70	GBH2070		70	GBH3070
	80	GBH1080		80	GBH2080		80	GBH3080
	90	GBH1090		90	GBH2090		90	GBH3090
100	GBH1100	100	GBH2100	100	GBH3100			



EXPB³™



EXPB
Panelboard

NEC / CEC Certifications

NEC / CEC Certifications

Class I, Groups B, C & D

Class I, Zone 1, AEx d IIB+H2

Class II, Groups E, F & G

Class III

Type 3, 4, 4X, 7 (B,C,D), 9 (E,F,G)

Ta = -60°C to +70°C (UL & CSA) T5 or T6



Files E83969



File LR11713

NOTE: Non-factory seal is available as QUAD labeled.

II 2 GD CE 0518

PTB 07 ATEX 1024 (Enclosure with
Controls)

IEC Ex 07.0022U



IEC Ex 07.0023

FEATURES-SPECIFICATIONS

Features

- All hardware is stainless steel, cover bolts are quick release Tri-Lead.
- All circuit breaker are pad lockable in the "ON" or "OFF" position for up to three padlocks (to allow ease of lock out - tag out capabilities).
- Operating Temperature of -0°C to +40°C
- Silver plated copper bus panelboard interiors are standard with dead front trim plate for safety.
- Available as non-factory sealed or factory sealed.
- Factory sealed has a stainless steel wiring chamber set up for bottom entry.
- Line and Load connections are pre-wired for ease of installation on factory sealed version.

Materials

Breaker Enclosure

- Cast copper free aluminum (less than 1/10 of 1%). Finish aluminum wet lacquer paint.
- Main Breaker Handle: Copper-free aluminum.
- Flange Gasket "O" Ring: Bunna-N-Nitrile.
- Branch Breaker Operators: Valox Thermoplastic Polyester handle molded onto 316 stainless steel shaft with neoprene "O" ring.
- Hinges: Copper-free aluminum with stainless steel pin and hardware.
- Mounting Lugs: 1/4" thick aluminum.
- Consult factory for single and two pole spacing.

Wiring Enclosure

- Type 316 Stainless Steel, 14 Gauge. Killark USF style enclosure suitable for direct entry via hub or cable gland knockouts. Cable gland plates are available upon request.
- Quarter turn 316 stainless steel latch.

- Sloped cover opening to eliminate ice build-up.
- Concealed hinge.
- External/Internal earthing stud.
- Type 4X one piece gasket.
- Ground bus.
- Neutral bus, optional if required.

Electrical Rating

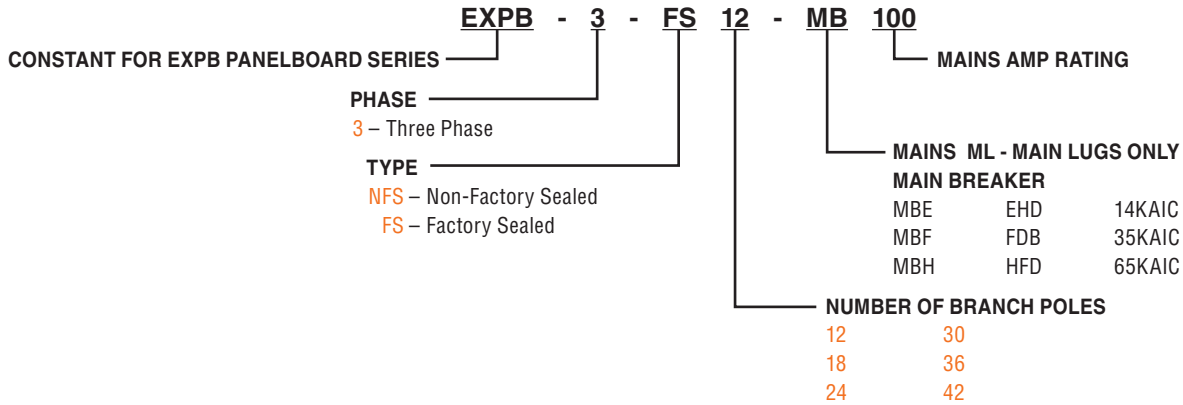
- 480 VAC, 3 Phase, 3 or 4 Wire
- 600 VAC, 3 Phase, 3 or 4 Wire
- 50/60 Hz
- 14K, 35K or 65K AIC Optional

DISTRIBUTION EQUIPMENT

EXPB3 POWER PANELBOARD



CATALOG LOGIC



EXPB3 FACTORY SEALED POWER PANELBOARD

MAIN LUG ONLY

ELECTRICAL RATING	NUMBER OF BRANCH POLES	MAIN LUG RATING AMPS	CATALOG NUMBER BASIC ENCLOSURE	MAIN WIRE RANGE	ENCLOSURE EXB	ENCLOSURE TERMINAL BOX
THREE PHASE 4 WIRE WITH SOLID NEUTRAL 480 VAC 250 VDC	12	100	EXPB3-FS-312-ML100	#14AWG-2/0	EXB-18368 N34	USF181808
	18	225	EXPB3-FS-318-ML225	#6AWG-350MCM	EXB-18368 N34	USF181808
	24	225	EXPB3-FS-324-ML225	#6AWG-350MCM	EXB-18368 N34	USF242408
	30	225	EXPB3-FS-330-ML225	#6AWG-350MCM	EXB-24368 N34	USF242408
	36	225	EXPB3-FS-336-ML225	#6AWG-350MCM	EXB-24368 N34	USF242408
	42	225	EXPB3-FS-342-ML225	#6AWG-400MCM	EXB-24368 N34	USF242408

MAIN CIRCUIT BREAKER (MCCB)

ELECTRICAL RATING	NUMBER OF BRANCH POLES	MAIN CIRCUIT BREAKER		CATALOG NUMBER BASIC ENCLOSURE	INCOMING MAIN WIRE RANGE	ENCLOSURE EXB	ENCLOSURE TERMINAL BOX
		FRAME	AMPS				
THREE PHASE 4 WIRE WITH SOLID NEUTRAL 480 VAC 250 VDC	12	EHD	100	EXPB3-FS-312-MB100	#14AWG - 1/0	EXB-18368 N34	USF181808
	18	FD	225	EXPB3-FS-318-MB225	#4AWG - 4/0	EXB-18368 N34	USF 181808
	24	FD	225	EXPB3-FS-324-MB225	#4AWG - 4/0	EXB-24368 N34	USF181808
	30	FD	225	EXPB3-FS-330-MB225	#4AWG - 4/0	EXB-24368 N34	USF242408
	36	FD	225	EXPB3-FS-336-MB225	#4AWG - 4/0	EXB-24368 N34	USF242408
	42	FD	225	EXPB3-FS-342-MB225	#4AWG - 4/0	EXB-24368 N34	USF242408



EXPB3 POWER PANELBOARD

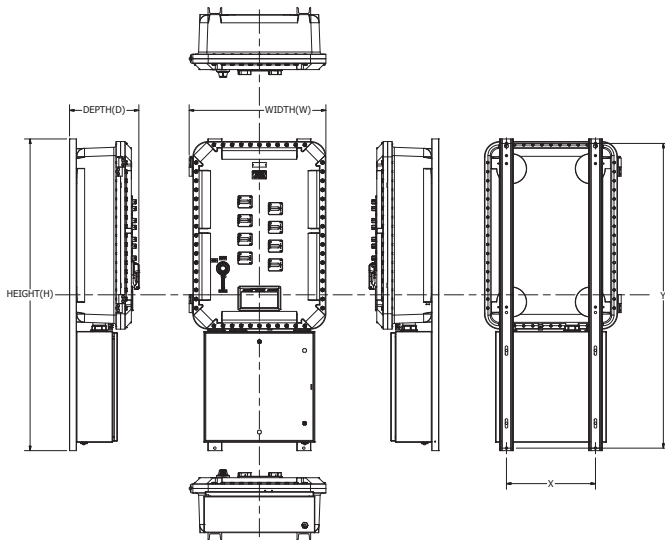
EXPB3 NON-FACTORY SEALED POWER PANELBOARD

MAIN LUG ONLY

ELECTRICAL RATING	NUMBER OF BRANCH POLES	MAIN LUG RATING AMPS	CATALOG NUMBER BASIC ENCLOSURE	MAIN WIRE RANGE	ENCLOSURE EXB
THREE PHASE 4 WIRE WITH SOLID NEUTRAL 480 VAC 250 VDC	12	100	EXPB3-NFS-312-ML100	#14AWG-2/0	EXB-18368 N34
	18	225	EXPB3-NFS-318-ML225	#6AWG-350MCM	EXB-18368 N34
	24	225	EXPB3-NFS-324-ML225	#6AWG-350MCM	EXB-18368 N34
	30	225	EXPB3-NFS-330-ML225	#6AWG-350MCM	EXB-24368 N34
	36	225	EXPB3-NFS-336-ML225	#6AWG-350MCM	EXB-24368 N34
	42	225	EXPB3-NFS-342-ML225	#6AWG-400MCM	EXB-24368 N34

MAIN CIRCUIT BREAKER (MCCB)

ELECTRICAL RATING	NUMBER OF BRANCH POLES	MAIN CIRCUIT BREAKER		CATALOG NUMBER BASIC ENCLOSURE	INCOMING MAIN WIRE RANGE	ENCLOSURE EXB
		FRAME	AMPS			
THREE PHASE 4 WIRE WITH SOLID NEUTRAL 480 VAC 250 VDC	12	EHD	100	EXPB3-NFS-312-MB100	#14AWG - 1/0	EXB-18368 N34
	18	FD	225	EXPB3-NFS-318-MB225	#4AWG - 4/0	EXB-18368 N34
	24	FD	225	EXPB3-NFS-324-MB225	#4AWG - 4/0	EXB-24368 N34
	30	FD	225	EXPB3-NFS-330-MB225	#4AWG - 4/0	EXB-24368 N34
	36	FD	225	EXPB3-NFS-336-MB225	#4AWG - 4/0	EXB-24368 N34
	42	FD	225	EXPB3-NFS-342-MB225	#4AWG - 4/0	EXB-24368 N34

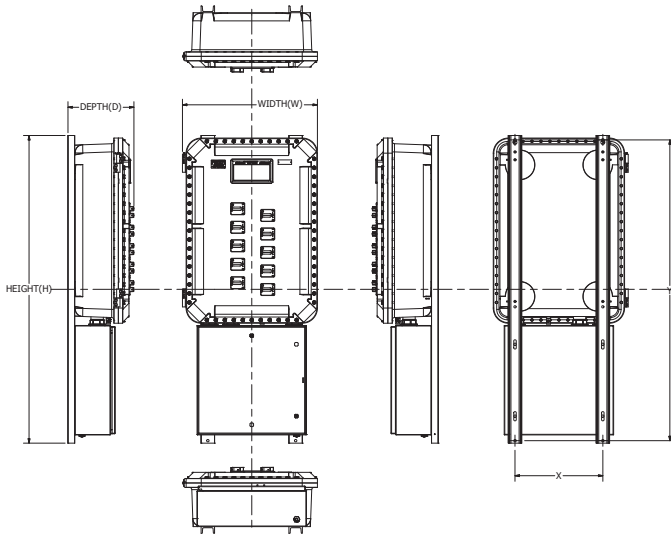
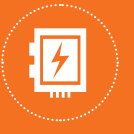


EXPB3FS-MB

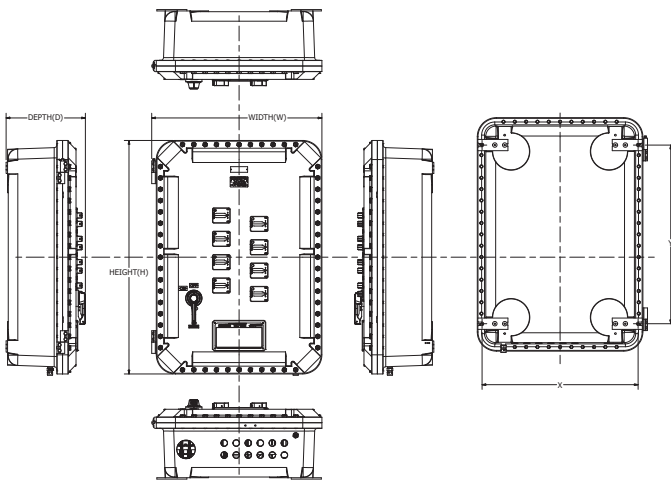
CIRCUITS	EXB	USF	OVERALL			MOUNTING	
			HEIGHT (H)	WIDTH (W)	DEPTH (D)	X	Y
12	EXB-18368	USF-18188	63 (1600)	23.19 (589)	15.31 (389)	13.25 (337)	61.75 (1568)
18	EXB-18368	USF-18188	63 (1600)	23.19 (589)	15.29 (388)	13.25 (337)	61.75 (1568)
24	EXB-24368	USF-24248	68.53 (1741)	30.06 (764)	15.25 (387)	19.56 (497)	67 (1702)
30	EXB-24368	USF-24248	68.53 (1741)	30.06 (764)	15.25 (387)	19.56 (497)	67 (1702)
36	EXB-24368	USF-24248	68.53 (1741)	30.06 (764)	15.25 (387)	19.56 (497)	67 (1702)
42	EXB-24368	USF-24248	68.53 (1741)	30.06 (764)	15.25 (387)	19.56 (497)	67 (1702)

DISTRIBUTION EQUIPMENT

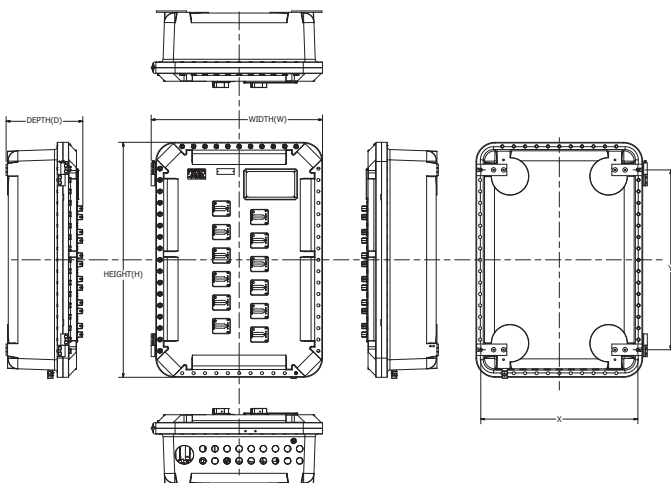
EXPB3 POWER PANELBOARD



EXPB3FS-ML							
CIRCUITS	EXB	USF	OVERALL			MOUNTING	
			HEIGHT (H)	WIDTH (W)	DEPTH (D)	X	Y
12	EXB-18368	USF-18188	63 (1600)	23.19 (589)	14.76 (375)	13.25 (337)	61.75 (1568)
18	EXB-18368	USF-18188	63 (1600)	23.19 (589)	14.76 (375)	13.25 (337)	61.75 (1568)
24	EXB-18368	USF-24248	68.53 (1741)	24.38 (619)	14.76 (375)	13.25 (337)	67 (1702)
30	EXB-24368	USF-24248	68.53 (1741)	30.06 (764)	14.70 (373)	19.56 (497)	67 (1702)
36	EXB-24368	USF-24248	68.53 (1741)	30.06 (764)	14.70 (373)	19.56 (497)	67 (1702)
42	EXB-24368	USF-24248	68.53 (1741)	30.06 (764)	14.70 (373)	19.56 (497)	67 (1702)



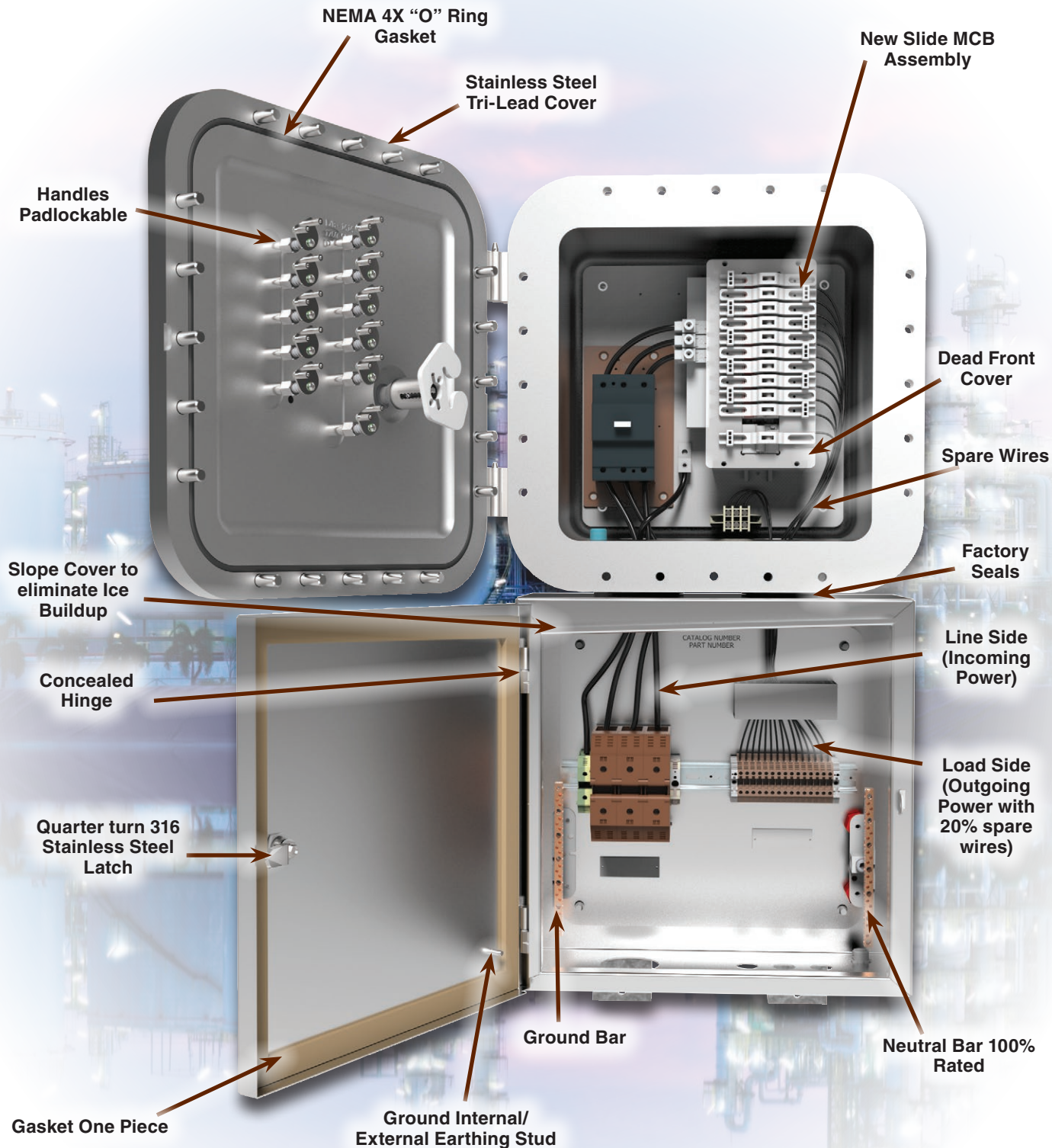
EXPB3NFS-MB						
CIRCUITS	EXB	OVERALL			MOUNTING	
		HEIGHT (H)	WIDTH (W)	DEPTH (D)	X	Y
12	EXB-18368	40.38 (1026)	23.19 (589)	14.06 (357)	21.25 (540)	31.50 (800)
18	EXB-18368	40.38 (1026)	23.19 (589)	14.06 (357)	21.25 (540)	31.50 (800)
24	EXB-24368	41.25 (1048)	30.06 (764)	14.00 (356)	27.56 (696)	31.56 (801)
30	EXB-24368	41.25 (1048)	30.06 (764)	14.00 (356)	27.56 (696)	31.56 (801)
36	EXB-24368	41.25 (1048)	30.06 (764)	14.00 (356)	27.56 (696)	31.56 (801)
42	EXB-24368	41.25 (1048)	30.06 (764)	14.00 (356)	27.56 (696)	31.56 (801)

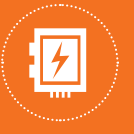


EXPB3NFS-ML						
CIRCUITS	EXB	OVERALL			MOUNTING	
		HEIGHT (H)	WIDTH (W)	DEPTH (D)	X	Y
12	EXB-18368	40.38 (1026)	23.19 (589)	13.51 (343)	21.25 (540)	31.50 (800)
18	EXB-18368	40.38 (1026)	23.19 (589)	13.51 (343)	21.25 (540)	31.50 (800)
24	EXB-18368	40.38 (1026)	23.19 (589)	13.51 (343)	21.25 (540)	31.50 (800)
30	EXB-24368	41.25 (1048)	30.06 (764)	13.45 (342)	27.56 (696)	31.56 (801)
36	EXB-24368	41.25 (1048)	30.06 (764)	13.45 (342)	27.56 (696)	31.56 (801)
42	EXB-24368	41.25 (1048)	30.06 (764)	13.45 (342)	27.56 (696)	31.56 (801)

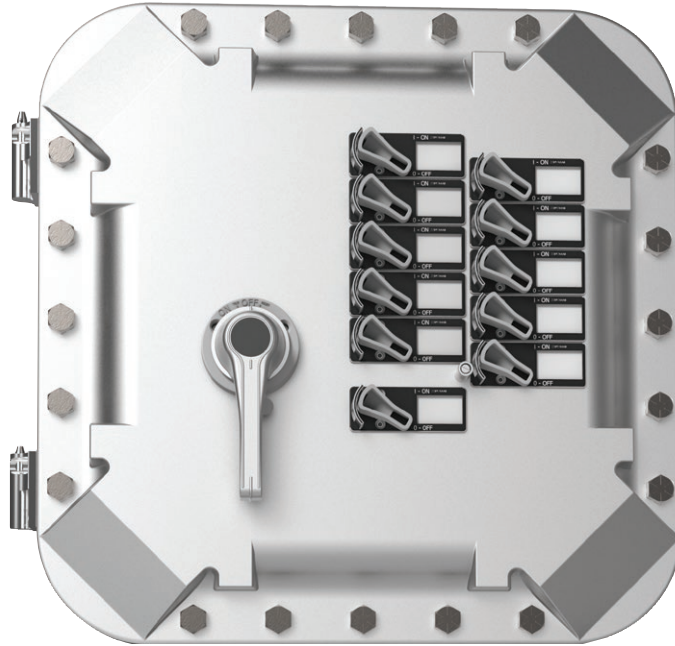


DISTRIBUTION EQUIPMENT
EXBLI/EXBSPI SERIES





IEC/NEC CIRCUIT BREAKER PANELBOARDS



ATEX Certified

Class I, Div. 1 & 2, Groups B⁰, C, D
Class I, Zones 1 & 2,
Groups IIB+H2, IIA
Class II, Div. 1 & 2, Groups E, F, G
Class III, Div. 1 & 2
Type 4, 4X, 7(B, C, D), 9(E, F, G)
CENELEC/ATEX/IEC - Ex
Ex d IIB + H2 T5 or T6
Ex tD A21 IP66
Ta < +70°C

Indoor/Outdoor



#UL1203 – Explosion Proof and Dust Ignition Proof Electrical Equipment. Files #E83969 & E12379



#C22.2 No. 30 – Explosion Proof Enclosure for use in Class I Hazardous Locations. File #LR11716



II 2 GD
PTB 07 ATEX 1025U (Empty Housing)
PTB 07 ATEX 1024x (Enclosures w/Controls)
IEC Ex 07.0022U
IEC Ex 07.0023

FEATURES-SPECIFICATIONS

Features

The IEC (UL1077) panel offers both single and three phase applications with or without switched neutrals. Branch MCB's in single, two, three and four pole, RCBO's for earth leakage detection are available in 30, 100 or 300mA Sensitivity.

The NEC (UL489) panel offer single and three phase applications, branch MCB's in single, two, three and four pole. This type can also offer a factory sealed arrangement using our USF 316L stainless steel wiring chamber with or without removable gland plates. All incoming "Line" and outgoing "Load" connections are made in the wiring chamber; this eliminates the need for seal fittings for Division 2 areas.

- All hardware is stainless steel, cover bolts are quick release Tri-Lead.
- All circuit breakers are pad lockable in the "ON" or "OFF" positions for up to three padlocks (to allow ease of lock out – tag out capabilities).
- Insulated copper bus bars mount on our Din Rail mounted branch breakers and the cover of the explosion proof enclosure is pre-drilled for future expansion or changing breakers in the field.

- Solid neutral (tin plated) standard for single and three phase.
- ABB circuit breakers have a wide temperature range from -20 to +70°C.
- Aluminum lacquer paint finish is standard

Materials

- Breaker enclosure: Cast copper free aluminum (less than 1/10 of 1%), Cover Bolts: Type 316 stainless steel quick turn (Tri-Lead), finish Aluminum Lacquer Paint.

SUFFIX NUMBER	DESCRIPTION
SU-3B-4X	Drain & Breather installed, NEMA 4X/7 BCD
SU-10B-4X	Drain installed, NEMA 4X/7 BCD
SU-11B-4X	Breather installed NEMA 4X/7 BCD
SU-3ATEX	Drain & Breather installed ATEX Group B
EB	Eyebolt, Qty of 2
TP	Toe Plate (recommended for larger panels)
GS150	150 Amp Ground Strap
SU1	Stainless steel external hardware NEMA 4X
SU9PEEEX	Grey powder polyester outer surface
SU9PEIO	Grey powder polyester in & out surface
SU9PESEX	Specify color outer surface (RAL number)
SU14	Fungus proofing inner surface
SU93	Do not paint

Electrical Rating

EXBLI

- Single Phase – 120/240 VAC, 3 Wire, 60hz
- Three Phase – 120/208 VAC, 4 Wire, 60Hz

EXBSPI

- Single Phase – 277 VAC, 3 Wire, 60hz
- Three Phase – 277/480Y VAC, 4 Wire, 60Hz

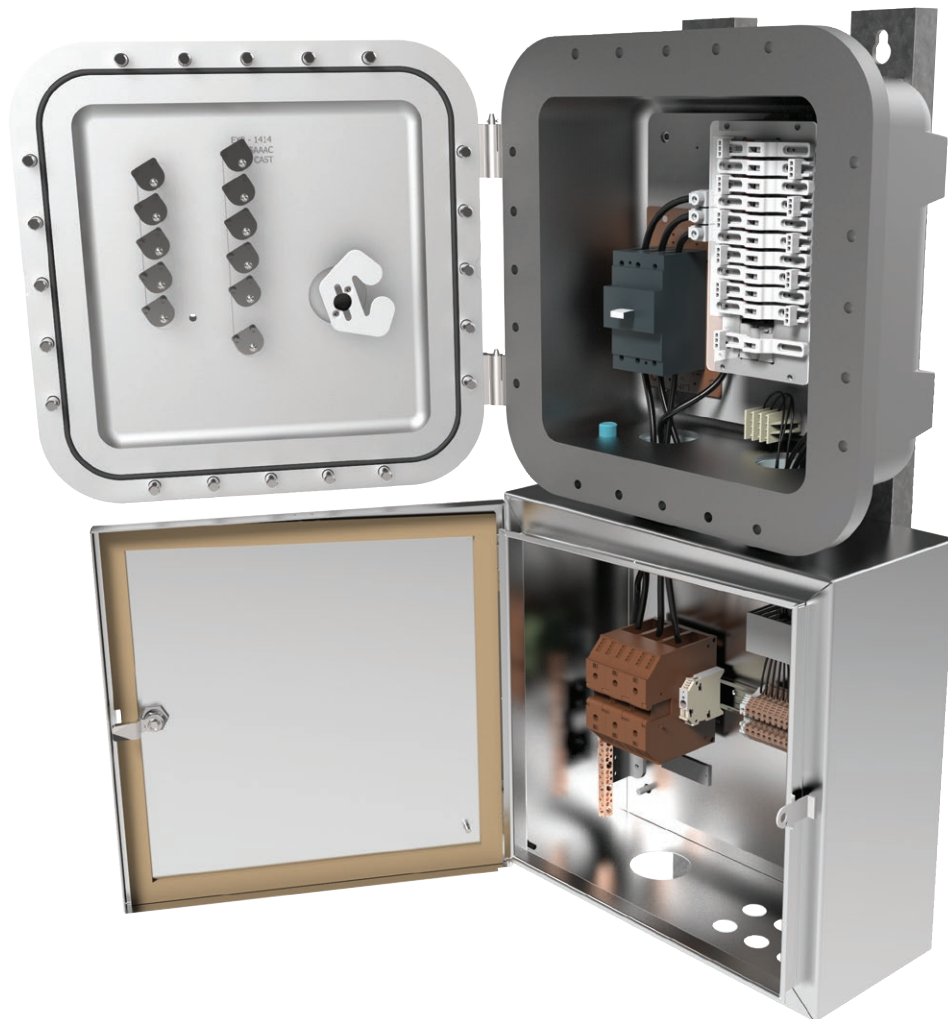
Panel Selection Factors

- Basic information required when specifying panelboards is as follows:
- Service Requirements – Voltage, phases and frequency
- Interrupting capacity
- Amperage Rating of Main (Lugs only or Breaker)
- Branch Breaker Requirements
 - » Type
 - » Number
 - » Poles
 - » Amperage
 - » RDC Requirements



DISTRIBUTION EQUIPMENT
EXBLI/EXBSPI SERIES

EXBLI LIGHTING PANELBOARD



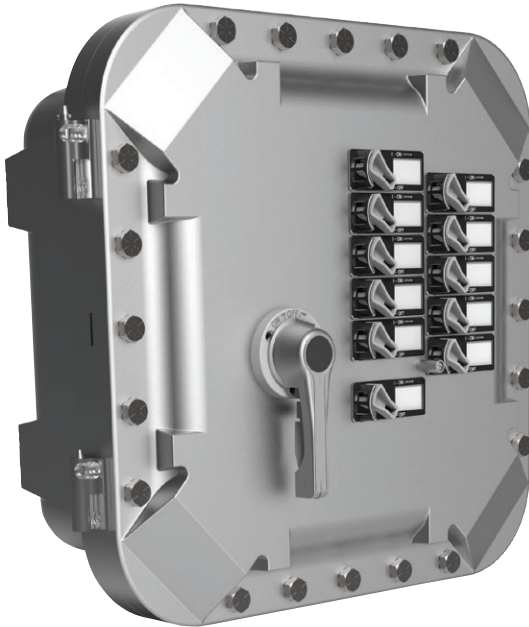
OPTIONAL
 NEC (UL 489) Factory
 Sealed Panelboard

EXBLI LIGHTING PANELBOARD

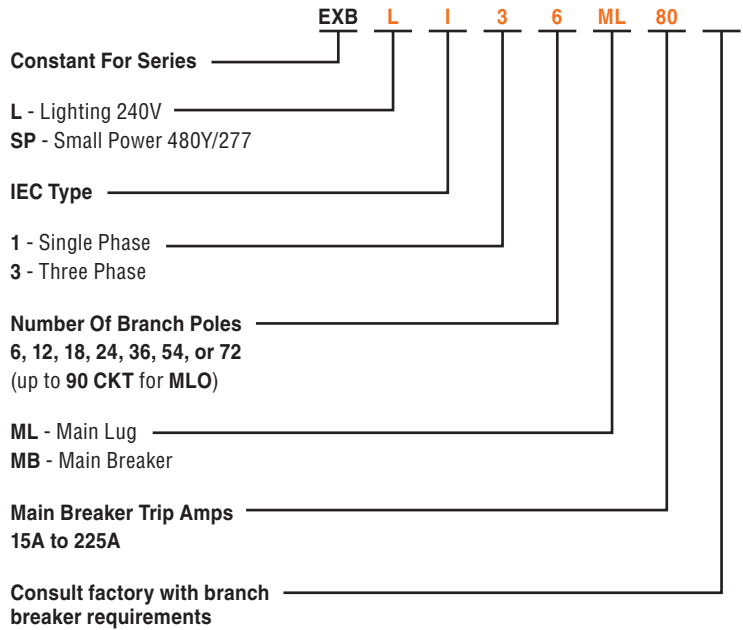
MAIN LUG ONLY					MAIN CIRCUIT BREAKER				
ELECTRICAL RATING	NUMBER OF BRANCH POLE	MAIN LUG RATING AMP	CATALOG NUMBER BASIC NUMBER	PANEL SIZE	ELECTRICAL RATING	NUMBER OF BRANCH POLE	MAIN LUG RATING AMP	CATALOG NUMBER BASIC NUMBER	PANEL SIZE
Single Phase 3 Wire with Solid Neutral 120/240VAC	6	80	EXBLI-16ML80	H	Single Phase 3 Wire with Solid Neutral 120/240VAC	6	80	EXBLI-16MB*	A
	12	130	EXBLI-112ML130	I		12	130	EXBLI-112MB*	B
	18	130	EXBLI-118ML130	J		18	130	EXBLI-118MB*	C
	24	260	EXBLI-124ML260	K		24	260	EXBLI-124MB*	D
	36	260	EXBLI-136ML260	L		36	260	EXBLI-136MB*	E
	54	260	EXBLI-154ML260	M		54	260	EXBLI-154MB*	F
	90	260	EXBLI-172ML260	N		72	260	EXBLI-172MB*	G
Three Phase 4 Wire with Solid Neutral 120/208VAC	6	80	EXBLI-36ML80	H	Three Phase 4 Wire with Solid Neutral 120/208VAC	6	80	EXBLI-36MB*	A
	12	130	EXBLI-312ML130	I		12	130	EXBLI-312MB*	B
	18	130	EXBLI-318ML130	J		18	130	EXBLI-318MB*	C
	24	260	EXBLI-324ML260	K		24	260	EXBLI-324MB*	D
	36	260	EXBLI-336ML260	L		36	260	EXBLI-336MB*	E
	54	260	EXBLI-354ML260	M		54	260	EXBLI-354MB*	F
	90	260	EXBLI-372ML260	N		72	260	EXBLI-372MB*	G



EXBSPI LIGHTING PANELBOARD



CATALOG LOGIC – FOR BASIC IEC PANELBOARD ENCLOSURES



EXBSPI LIGHTING PANELBOARD

MAIN LUG ONLY					MAIN CIRCUIT BREAKER				
ELECTRICAL RATING	NUMBER OF BRANCH POLE	MAIN LUG RATING AMP	CATALOG NUMBER BASIC NUMBER	PANEL SIZE	ELECTRICAL RATING	NUMBER OF BRANCH POLE	MAIN LUG RATING AMP	CATALOG NUMBER BASIC NUMBER	PANEL SIZE
Single Phase 3 Wire with Solid Neutral 277VAC	6	80	EXBSPI-16ML80	H	Single Phase 3 Wire with Solid Neutral 277VAC	6	80	EXBSPI-16MB*	A
	12	130	EXBSPI-112ML130	I		12	130	EXBSPI-112MB*	B
	18	130	EXBSPI-118ML130	J		18	130	EXBSPI-118MB*	C
	24	260	EXBSPI-124ML260	K		24	260	EXBSPI-124MB*	D
	36	260	EXBSPI-136ML260	L		36	260	EXBSPI-136MB*	E
	54	260	EXBSPI-154ML260	M		54	260	EXBSPI-154MB*	F
Three Phase 4 Wire with Solid Neutral 277/480YVAC	90	260	EXBSPI-172ML260	N	72	260	EXBSPI-172MB*	G	
	6	80	EXBSPI-36ML80	H	Three Phase 4 Wire with Solid Neutral 277/480YVAC	6	80	EXBSPI-36MB*	A
	12	130	EXBSPI-312ML130	I		12	130	EXBSPI-312MB*	B
	18	130	EXBSPI-318ML130	J		18	130	EXBSPI-318MB*	C
	24	260	EXBSPI-324ML260	K		24	260	EXBSPI-324MB*	D
	36	260	EXBSPI-336ML260	L		36	260	EXBSPI-336MB*	E
54	260	EXBSPI-354ML260	M	54		260	EXBSPI-354MB*	F	
90	260	EXBSPI-372ML260	N	72	260	EXBSPI-372MB*	G		



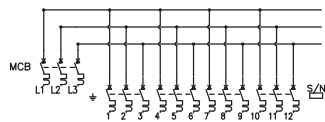
DISTRIBUTION EQUIPMENT EXBLI/EXBSPI SERIES

BREAKER RATINGS

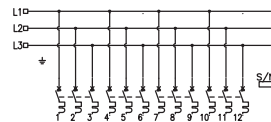
EXBLI & EXBSPI CIRCUIT BREAKER RATINGS, ABB IEC (UL1077), MCB								
TYPE	POLE	VOLTS VAC	AMPERES SYMMETRICAL	TYPE RCBO	POLE	VOLTS VAC	AMPERES SYMMETRICAL	SENSITIVITY
S200C	1	277	6,000 AIC	DS201	1+N	230	10,000 AIC	30, 100, 300mA
	2	277/480Y	6,000 AIC	DS202	2	230	10,000 AIC	30, 300mA
	3	277/480Y	6,000 AIC					
	4	277/480Y	6,000 AIC					
S200D	1	277	6,000 AIC					
	2	277/480Y	6,000 AIC					
	3	277/480Y	6,000 AIC					
	4	277/480Y	6,000 AIC					
S200M	1	277	10,000 AIC					
	2	277/480Y	10,000 AIC					
	3	277/480Y	10,000 AIC					
	4	277/480Y	10,000 AIC					

NEC (UL489), MCB, NOT RATED FOR SWITCHED NEUTRAL			
TYPE	POLE	VOLTS VAC	AMPERES SYMMETRICAL
SU200MC	1	240	10,000 AIC
	2	277/480Y	10,000 AIC
	3	277/480Y	10,000 AIC
	4	277/480Y	10,000 AIC
S200U-K	1	240	10,000 AIC
	2	240	10,000 AIC
	3	240	10,000 AIC
	4	240	10,000 AIC
S200UP-K	1	277	10,000 AIC
	2	277/480Y	10,000 AIC
	3	277/480Y	10,000 AIC
	4	277/480Y	10,000 AIC

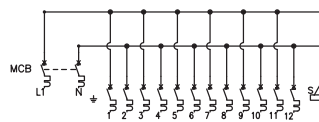
MAIN CIRCUIT BREAKER				
TYPE	POLE	VOLTS VAC	AMPERES SYMMETRICAL	AMP TRIP
Tmax XT1	3	347/600Y	25, 35, 65,000 AIC	15 - 125
	4	347/600Y	25, 35, 65,000 AIC	15 - 125
Tmax XT2	3	600	25, 35, 65,000 AIC	15 - 125
	4	600	25, 35, 65,000 AIC	15 - 125
Tmax XT3	3	347/600Y	25, 35, 65,000 AIC	60 - 225
	4	347/600Y	25, 35, 65,000 AIC	60 - 225
Tmax XT4	3	600	25, 35, 65,000 AIC	25 - 250
	4	600	25, 35, 65,000 AIC	25 - 250



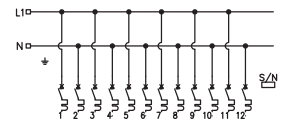
**Three Phase
Main Circuit Breaker**



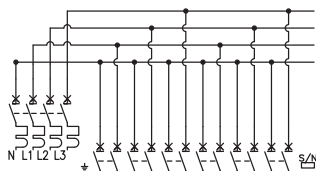
**Three Phase
Main Lug Only**



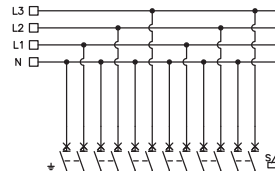
**Single Phase
Main Circuit Breaker**



**Single Phase
Main Lug Only**



**Three Phase w/
Switched Neutral
4 Pole Main Circuit Breaker**



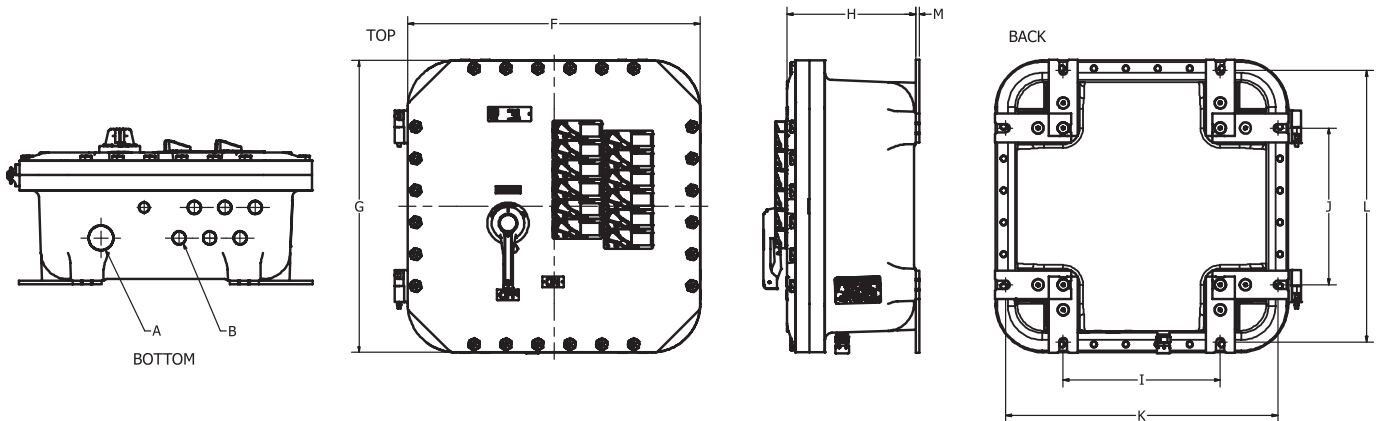
**Three Phase w/
Switched Neutral
Main Lug Only**



IEC CIRCUIT BREAKER PANELBOARDS

EXB DIMENSIONS MAIN BREAKER														
CATALOG NUMBER	# OF CIRCUITS W/ MAIN BREAKER	STD CONDUITS AT BOTTOM (NPT)				EXTERNAL DIMENSION (NI)			MOUNTING DIMENSIONS (INCHES)					LBS (KG)
		A	B	QTY B	QTY B RH SIDE	F WIDE	G HIGH	H DEEP	I	J	K	L	M	
EXB-10146 N34	6	1-1/2"	3/4"	3	—	15.25 (387.35)	19.25 (488.95)	8.90 (226.06)	4.94 (125.98)	8.94 (227.08)	12.94 (328.68)	16.94 (438.28)	0.25 (6)	119 (53.98)
EXB-16166 N34	12	1-1/2"	3/4"	6	—	20.38 (517.65)	20.38 (517.65)	9.19 (233.43)	10.94 (277.88)	10.94 (277.88)	18.94 (481.08)	18.94 (481.08)	0.25 (6)	195 (88.45)
EXB-12246 N34	18	1-1/2"	3/4"	9	—	16.38 (416.05)	28.38 (720.85)	9.32 (236.73)	6.94 (176.28)	18.88 (479.55)	14.94 (379.43)	26.88 (682.75)	0.25 (6)	196 (88.45)
EXB-16248 N34	24	1-1/2"	3/4"	12	—	21.25 (539.75)	29.25 (742.95)	12.00 (304.80)	11.38 (289.05)	19.38 (492.25)	19.38 (492.25)	27.38 (695.45)	0.25 (6)	220 (99.79)
EXB-18368 N34	36	1-1/2"	3/4"	18	—	22.38 (568.45)	40.38 (1025.65)	12.38 (314.45)	13.25 (336.55)	31.50 (800.10)	21.25 (539.75)	39.50 (1003.30)	0.25 (6)	410 (185.97)
EXB-24368 N34	54	2-1/2"	3/4"	20	7	29.25 (743)	41.25 (1048)	12.4 (315)	19.56 (497)	31.56 (802)	27.56 (700)	39.56 (1005)	0.25 (6)	560 (254.01)
EXB-24368 N34	72	2-1/2"	3/4"	30	6	29.25 (743)	41.25 (1048)	12.4 (315)	19.56 (497)	31.56 (802)	27.56 (700)	39.56 (1005)	0.25 (6)	560 (254.01)

EXB DIMENSIONS MAIN LUG ONLY														
CATALOG NUMBER	# OF CIRCUITS MAIN LUG ONLY	STD CONDUITS AT BOTTOM (NPT)				EXTERNAL DIMENSION (NI)			MOUNTING DIMENSIONS (INCHES)					LBS (KG)
		A	B	QTY B	QTY B RH SIDE	F WIDE	G HIGH	H DEEP	I	J	K	L	M	
EXB-8126 N34	6	1-1/2"	3/4"	3	—	13.25 (336.55)	17.25 (438.15)	8.70 (220.98)	3.82 (97.03)	7.82 (198.63)	10.38 (263.65)	14.38 (365.25)	0.25 (6)	160 (72.57)
EXB-12186 N34	12	1-1/2"	3/4"	6	—	16.38 (416.05)	22.38 (568.45)	9.06 (230.12)	6.94 (176.28)	12.88 (327.15)	14.94 (379.43)	20.88 (530.35)	0.25 (6)	195 (88.45)
EXB-12186 N34	18	1-1/2"	3/4"	9	—	16.38 (416)	22.38 (568)	9.06 (230)	6.94 (176)	12.88 (327)	14.94 (379)	20.88 (530)	0.25 (6)	195 (88.45)
EXB-16248 N34	24	1-1/2"	3/4"	12	—	21.25 (539.75)	29.25 (742.95)	12.00 (304.80)	11.38 (289.05)	19.38 (492.25)	19.38 (492.25)	27.38 (695.45)	0.25 (6)	270 (122.46)
EXB-18248 N34	36	1-1/2"	3/4"	16	2	22.38 (568.45)	28.38 (720.85)	11.75 (298.45)	13.00 (330.70)	19.50 (492.60)	21.00 (533.40)	27.00 (685.80)	0.25 (6)	290 (131.54)
EXB-24368 N34	54	2-1/2"	3/4"	18	7	29.25 (743)	41.25 (1048)	12.4 (315)	19.56 (497)	31.56 (802)	27.56 (700)	39.56 (1005)	0.25 (6)	560 (254.01)
EXB-24368 N34	72	2-1/2"	3/4"	18	18	29.25 (743)	41.25 (1048)	12.4 (315)	19.56 (497)	31.56 (802)	27.56 (700)	39.56 (1005)	0.25 (6)	560 (254.01)
EXB-24368 N34	90	2-1/2"	3/4"	18	18	29.25 (743)	41.25 (1048)	12.4 (315)	19.56 (497)	31.56 (802)	27.56 (700)	39.56 (1005)	0.25 (6)	560 (254.01)





DISTRIBUTION EQUIPMENT

GFCS SERIES

GROUND FAULT CONTROL STATION (FACTORY SEALED)



Class I, Div. 1 & 2, Groups B, C, D
Class I, Zones 1 & 2, Groups IIB+H2, IIA
Class II, Div. 1 & 2, Groups E, F, G
Class III, Div. 1 & 2
TYPE 3, 7 (B, C, D) 9 (E, F, G)

Indoor/Outdoor



Listed - File E83969



Certified - File LR061895-2

FEATURES-SPECIFICATIONS

Features

- Factory Sealed Ground Fault Chamber. (Assemblies in Group B areas must be sealed within 6" of enclosure. Other area classifications do not require the use of seals)
- 1" NPT top and bottom conduit openings
- External Push-to-Test Button and Pilot Light for monitoring
- On-Off-Trip-Reset External Handle can be locked in On-Off positions
- 5ma Ground Fault Circuit Breaker for People Protection. 30ma Ground Fault circuit Breaker for Equipment Protection and heat tracing circuits
- Electrical Rating-120 VAC (single pole)
120/240 VAC (two pole) (10,000 AIC)

Materials

- Enclosure: Copper-free cast aluminum (less than 1/10 of 1%)
- External Hardware: Stainless Steel
- Standard Finish: Electrostatically applied gray powder epoxy polyester finish

Electrical Ratings

- 240VAC, 50/60Hz

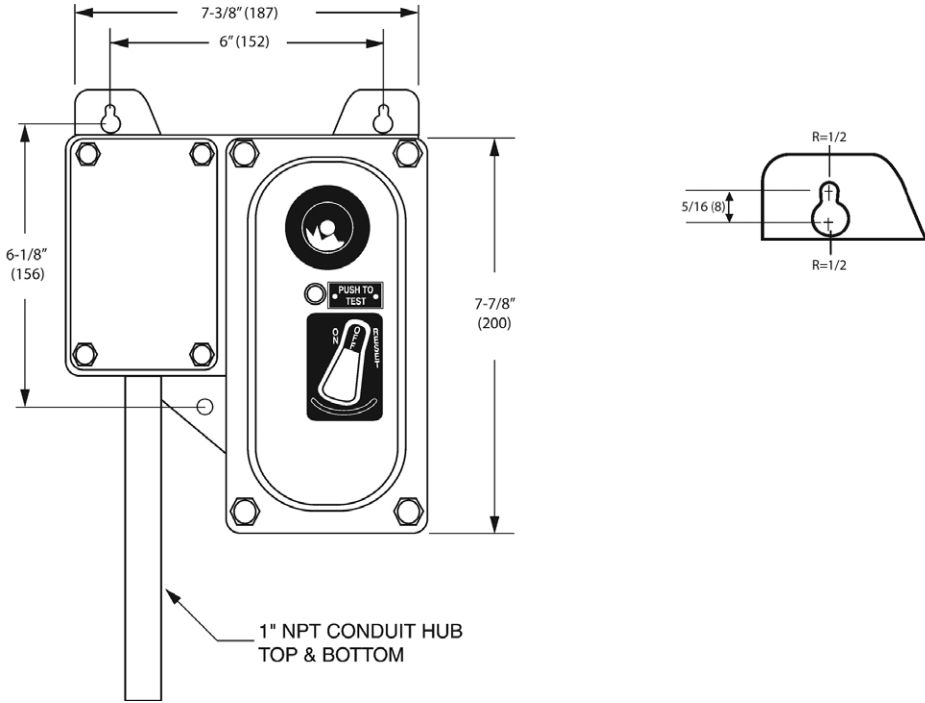


GROUND FAULT CONTROL STATION (FACTORY SEALED)

GFCS GROUND FAULT CONTROL STATION					
CATALOG NUMBER	NUMBER OF POLES	MILLIAMP TRIP	BREAKER AMPERAGE	LBS	KG
GFCS05151	1	5	15	13	5.89
GFCS05201	1	5	20	13	5.89
GFCS05301	1	5	30	13	5.89
GFCS30151	1	30	15	13	5.89
GFCS30201	1	30	20	13	5.89
GFCS30301	1	30	30	13	5.89
GFCS05152	2Ⓣ	5	15	13	5.89
GFCS05202	2Ⓣ	5	20	13	5.89
GFCS05302	2Ⓣ	5	30	13	5.89
GFCS30152	2Ⓣ	30	15	13	5.89
GFCS30202	2Ⓣ	30	20	13	5.89
GFCS30302	2Ⓣ	30	30	13	5.89

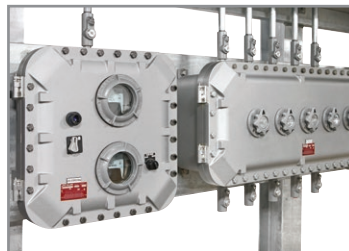
Ⓣ 2P Units are for 120/240V or 120/208Y Grounded Power Supply Systems ONLY.
Do NOT use with Delta supply systems

DIMENSIONS





DISTRIBUTION EQUIPMENT CUSTOM SOLUTIONS



Class I, Div. 1 & 2, Groups B, C, D
Class I, Zones 1 & 2, Groups IIB+H2, IIA
Class II, Div. 1 & 2, Groups E, F, G
Class III, Div. 1 & 2
TYPE 3, 4X, 7 (B, C, D) 9 (E, F, G)

Indoor/Outdoor

Compliances

- All wiring is in accordance with current NEC requirements
- Each enclosure carries at minimum one of the following



FEATURES-SPECIFICATIONS

Features

- NEMA 3, 4X (optional) rated for protection from hose directed water and corrosion
- Completely assembled and wired for customer connections to load side of starters and breakers
- Single sided or double sided assemblies per customer specification
- Killark components supplied include series EXB, B7C, B70, D2L, B7L, GR, HKB, D2P, B7P, EZ, VM, EM, ENY, EYS and others

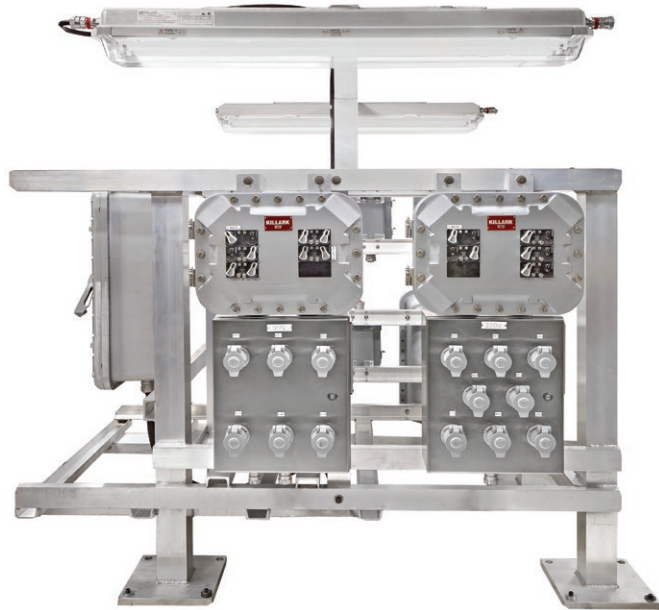
Materials

- Enclosures: Copper-free aluminum (less than 1/10 of 1%)
- Bus Enclosure (when supplied) is painted steel or stainless steel
- Frame: Steel (Hot Dipped Galvanized) or Aluminum. All welded construction
- Bus Bars: Copper, bare or insulated

Optional Components

- Circuit breakers
- Automatic Transfer Switch
- Motor Starters
- Contractors
- Junction Boxes
- Control Stations
- Meter/Instrument Enclosures
- Ground Detection
- Panelboards
- Welding and Convenience Receptacles
- Photo Cells
- Light Fixtures
- Transformers
- Space Heaters

DISTRIBUTION EQUIPMENT
SWITCHRACK ASSEMBLIES



Self Sufficient Power Supply

Provides a mix of 120/240V and 480VAC receptacles and includes panel boards and one main shut off. May be supplied with trailer as mobile unit or used at a permanent location.

Ordering Information

- Supply one line diagram or bill of material and Killark will do the rest. Assembly drawing and wiring diagram will be supplied for customer approval.

Basic Data Required	
Class _____	Div. _____ GRPS. _____
NEMA Ratings for BUS _____	
Incoming Voltage _____	
Incoming Amperage _____	
Wire: 3w/GND _____	4w/GND _____
Framing: Single Side _____	
Double Side _____	
Material: Steel HD/galv. _____	
Aluminum _____	
Canopy: Yes _____	No _____



NOTES

Lined area for taking notes, consisting of approximately 30 horizontal lines.



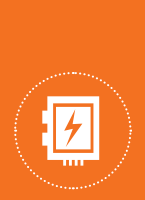
NOTES

Lined area for taking notes, consisting of approximately 25 horizontal lines.



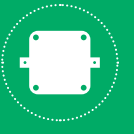
NOTES

Lined area for taking notes, consisting of 24 horizontal lines.





NOTES

Lined area for taking notes, consisting of multiple horizontal lines.



ENCLOSURES TABLE OF CONTENTS

	<p>USF/SJIC(H) Sheet Metal Junction Boxes3-11</p>		<p>GE Series Outlet Bodies With Terminal 48-49</p>
	<p>USF/SJIC(H) Sheet Metal Terminal Boxes..... 12-26</p>		<p>GEB Series Terminal Boxes50-55</p>
	<p>USF/SJIC(H)/Sheet Metal Box Accessories Drains, Breathers, Bus Bars, Feet, Ground Kits 27-28</p>		<p>EXBLT/EXB Series Junction Boxes56-69</p>
	<p>PL5/PL6 Non-metallic Junction/ Terminal Boxes29-36</p>		<p>GL/GLXR Series Round and Rectangular Viewing Windows for EXBLT/EXB..... 70-71</p>
	<p>HKBX Instrument Enclosures 37-39</p>		<p>B7E Series Junction Boxes72-74</p>
	<p>HKBX ATEX Terminal Boxes 40-41</p>		<p>B7E Series Junction Boxes (Compact)..... 75-76</p>
	<p>HK/2HK Series Instrument/Device Enclosures..... 42-46</p>		<p>GR Series Threaded Enclosures..... 77-82</p>
	<p>HK Series ATEX Terminal Boxes47</p>		<p>EXBLT/EXB/B7E/GR Accessories Drains, Breathers, Flame Arrestors, EXH Circuit Breaker Handles..... 83-84</p>



ENCLOSURES

ENCLOSURES SECTION

ENCLOSURES FOR HARSH & HAZARDOUS ENVIRONMENTS



SJIC & SJICH Series



EXBLTP



USF Series



GR Series



HKBX Series

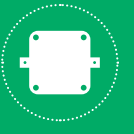


EXB Series



GEB Series





USF ENCLOSURES ONLY

TECHNE-TERM[®]



USF Series



USF-JB

Empty Enclosure

NEC / CEC Certifications

**Class II, Div. 1 & 2, Groups E, F, & G
Class III**

**Ex tb / Zone 21 AEx tb,
IIIC T80°C/T100°C/T130°C Db**

Type 3, 4, 4X IP66

Ta=-50°C to +90°C

Certificate 70013827



ATEX / IEC Ex Certificate



II 2 G D 2813

Ex e IIC Gb

Ex tb IIIC Db IP66

Service Temperature -55°C to +135°C

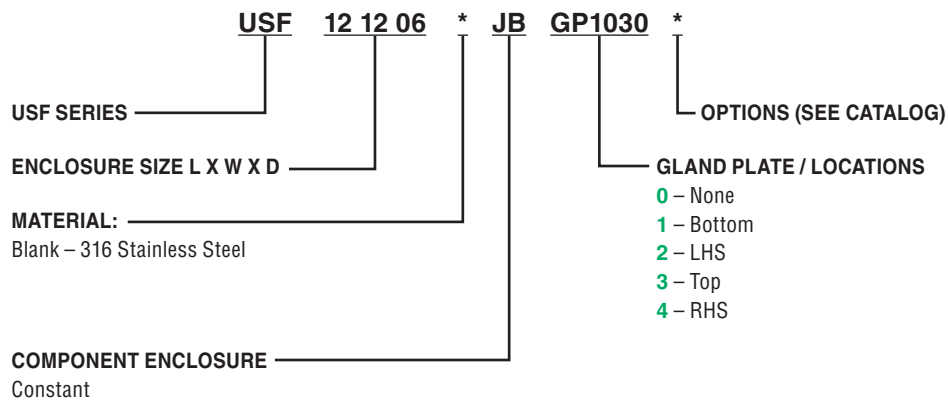
Sira 14ATEX3156U

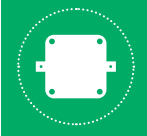
IECEX SIR 14.0053U

FEATURES-SPECIFICATIONS

**USF Enclosures Features –
38 Sizes**

- Externally sloped top flange directs water, melting ice/snow and dust build-up away from the opening side of the door
- Continuous robot welded seams for a hose down tight seal
- Concealed hinges with removable hinge pins
- Doors are interchangeable and easily removable
- Ground/earthing studs in both cover and through wall of the box
- Quarter-turn 316 stainless steel latch
- One-piece, high temperature, closed cell silicone gasket with superior recovery and re-sealing properties
- Sturdy 14 gauge box construction helps prevent bending or permanent deflection of the walls when field installing openings
- Bi-directional, movable mounting lugs for the widest flexibility during installations
- Openings for cable gland conduit can be factory or field installed. Gland plates available for all configurations.





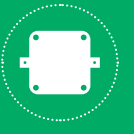
ENCLOSURES
USF SERIES

USF SLOPE FLANGE ENCLOSURE



CATALOG NUMBER	HEIGHT IN. (MM)	WIDTH	DEPTH	"E"	"F"	"G"	"H"	"A" GLAND PLATE	"B" GLAND PLATE	"C" GLAND PLATE	WEIGHT LBS (KG)
USF121206-JB	12 (305)	12 (305)	6 (153)	10.69 (272)	10.69 (272)	13.63 (346)	13.63 (346)	4.06 (103)	9.38 (238)	9.63 (245)	14 (6.3)
USF161206-JB	16 (407)	12 (305)	6 (153)	10.69 (272)	14.69 (373)	13.63 (346)	17.63 (448)	4.06 (103)	13.38 (340)	9.63 (245)	20 (9.1)
USF161208-JB	16 (407)	12 (305)	8 (203)	10.69 (272)	14.69 (373)	13.63 (346)	17.63 (448)	6.06 (154)	13.38 (340)	9.63 (245)	22 (10)
USF161210-JB	16 (407)	12 (305)	10 (254)	10.69 (272)	14.69 (373)	13.63 (346)	17.63 (448)	8.06 (205)	13.38 (340)	9.63 (245)	24 (10.9)
USF161606-JB	16 (407)	16 (407)	6 (153)	14.69 (373)	14.69 (373)	17.63 (448)	17.63 (448)	4.06 (103)	13.38 (340)	13.38 (340)	26 (11.8)
USF161608-JB	16 (407)	16 (407)	8 (203)	14.69 (373)	14.69 (373)	17.63 (448)	17.63 (448)	6.06 (154)	13.38 (340)	13.38 (340)	27 (12.2)
USF161610-JB	16 (407)	16 (407)	10 (254)	14.69 (373)	14.69 (373)	17.63 (448)	17.63 (448)	8.06 (205)	13.38 (340)	13.38 (340)	29 (13.2)
USF201606-JB	20 (508)	16 (407)	6 (153)	18.69 (475)	14.69 (373)	21.63 (549)	17.63 (448)	4.06 (103)	17.38 (441)	13.38 (340)	29 (13.2)
USF201608-JB	20 (508)	16 (407)	8 (203)	14.69 (373)	18.69 (475)	17.63 (448)	21.63 (549)	6.06 (154)	17.38 (441)	13.38 (340)	31 (14)
USF201610-JB	20 (508)	16 (407)	10 (254)	14.69 (373)	18.69 (475)	17.63 (448)	21.63 (549)	8.06 (205)	17.38 (441)	13.38 (340)	32 (14.5)
USF202006-JB	20 (508)	20 (508)	6 (153)	14.69 (373)	18.69 (475)	17.63 (448)	21.63 (549)	4.06 (103)	17.38 (441)	17.38 (441)	35 (15.9)
USF202008-JB	20 (508)	20 (508)	8 (203)	18.69 (475)	18.69 (475)	21.63 (549)	21.63 (549)	6.06 (154)	17.38 (441)	17.38 (441)	37 (16.8)
USF202010-JB	20 (508)	20 (508)	10 (254)	18.69 (475)	18.69 (475)	21.63 (549)	21.63 (549)	8.06 (205)	17.38 (441)	17.38 (441)	39 (17.7)
USF202012-JB	20 (508)	20 (508)	12 (305)	18.69 (475)	18.69 (475)	21.63 (549)	21.63 (549)	10.06 (255)	17.38 (441)	17.38 (441)	44 (20)
USF241606-JB	24 (610)	16 (407)	6 (153)	14.69 (373)	22.69 (576)	17.63 (448)	25.63 (651)	4.06 (103)	21.38 (543)	13.38 (340)	35 (15.9)
USF241608-JB	24 (610)	16 (407)	8 (203)	18.69 (475)	18.69 (475)	21.63 (549)	21.63 (549)	6.06 (154)	21.38 (543)	13.38 (340)	36 (16.3)
USF241610-JB	24 (610)	16 (407)	10 (254)	14.69 (373)	22.69 (576)	17.63 (448)	25.63 (651)	8.06 (205)	21.38 (543)	13.38 (340)	38 (17.2)
USF242006-JB	24 (610)	20 (508)	6 (153)	14.69 (373)	22.69 (576)	17.63 (448)	25.63 (651)	4.06 (103)	21.38 (543)	17.38 (441)	42 (19)
USF242008-JB	24 (610)	20 (508)	8 (203)	18.69 (475)	22.69 (576)	21.63 (549)	25.63 (651)	6.06 (154)	21.38 (543)	17.38 (441)	43 (19.5)
USF242010-JB	24 (610)	20 (508)	10 (254)	18.69 (475)	22.69 (576)	21.63 (549)	25.63 (651)	8.06 (205)	21.38 (543)	17.38 (441)	44 (20)
USF242012-JB	24 (610)	20 (508)	12 (305)	18.69 (475)	22.69 (576)	21.63 (549)	25.63 (651)	10.06 (255)	21.38 (543)	17.38 (441)	46 (20.9)
USF242406-JB	24 (610)	24 (610)	6 (153)	18.69 (475)	22.69 (576)	21.63 (549)	25.63 (651)	4.06 (103)	21.38 (543)	21.38 (543)	49 (22.2)
USF242408-JB	24 (610)	24 (610)	8 (203)	22.69 (576)	22.69 (576)	25.63 (651)	25.63 (651)	6.06 (154)	21.38 (543)	21.38 (543)	53 (24)
USF242410-JB	24 (610)	24 (610)	10 (254)	22.69 (576)	22.69 (576)	25.63 (651)	25.63 (651)	8.06 (205)	21.38 (543)	21.38 (543)	58 (26.3)
USF242412-JB	24 (610)	24 (610)	12 (305)	22.69 (576)	22.69 (576)	25.63 (651)	25.63 (651)	10.06 (255)	21.38 (543)	21.38 (543)	62 (28.1)
USF242416-JB	24 (610)	24 (610)	16 (407)	22.69 (576)	22.69 (576)	25.63 (651)	25.63 (651)	14.06 (357)	21.38 (543)	21.38 (543)	71 (32.2)
USF242420-JB	24 (610)	24 (610)	20 (508)	22.69 (576)	22.69 (576)	25.63 (651)	25.63 (651)	18.06 (458)	21.38 (543)	21.38 (543)	78 (35.4)
USF302008-JB	30 (762)	20 (508)	8 (203)	22.69 (576)	22.69 (576)	25.63 (651)	25.63 (651)	6.06 (154)	26.00 (660)	17.38 (441)	59 (26.8)
USF302010-JB	30 (762)	20 (508)	10 (254)	18.69 (475)	28.69 (729)	21.63 (549)	31.63 (803)	8.06 (205)	26.00 (660)	17.38 (441)	61 (27.7)
USF302408-JB	30 (762)	24 (610)	8 (203)	18.69 (475)	28.69 (729)	21.63 (549)	31.63 (803)	6.06 (154)	26.00 (660)	21.38 (543)	56 (25.4)
USF302410-JB	30 (762)	24 (610)	10 (254)	22.69 (576)	28.69 (729)	25.63 (651)	31.63 (803)	8.06 (205)	26.00 (660)	21.38 (543)	63 (28.6)
USF302412-JB	30 (762)	24 (610)	12 (305)	22.69 (576)	28.69 (729)	25.63 (651)	31.63 (803)	10.06 (255)	26.00 (660)	21.38 (543)	64 (29)
USF302420-JB	30 (762)	24 (610)	20 (508)	22.69 (576)	28.69 (729)	25.63 (651)	31.63 (803)	18.06 (458)	26.00 (660)	21.38 (543)	99 (45)
USF303008-JB	30 (762)	30 (762)	8 (203)	22.69 (576)	28.69 (729)	25.63 (651)	31.63 (803)	6.06 (154)	26.00 (660)	26.00 (660)	68 (30.8)
USF303010-JB	30 (762)	30 (762)	10 (254)	28.69 (729)	28.69 (729)	31.63 (803)	31.63 (803)	8.06 (205)	26.00 (660)	26.00 (660)	72 (32.7)
USF303012-JB	30 (762)	30 (762)	12 (305)	28.69 (729)	28.69 (729)	31.63 (803)	31.63 (803)	10.06 (255)	26.00 (660)	26.00 (660)	89 (40.4)
USF362408-JB	36 (915)	24 (610)	8 (203)	34.69 (881)	28.69 (729)	37.63 (956)	31.63 (803)	6.06 (154)	33.00 (838)	21.38 (543)	66 (30)
USF362410-JB	36 (915)	24 (610)	10 (254)	9.79 (249)	35.20 (894)	8.15 (207)	27.63 (702)	8.06 (205)	33.00 (838)	21.38 (543)	70 (31.8)

All dimension in. (mm)

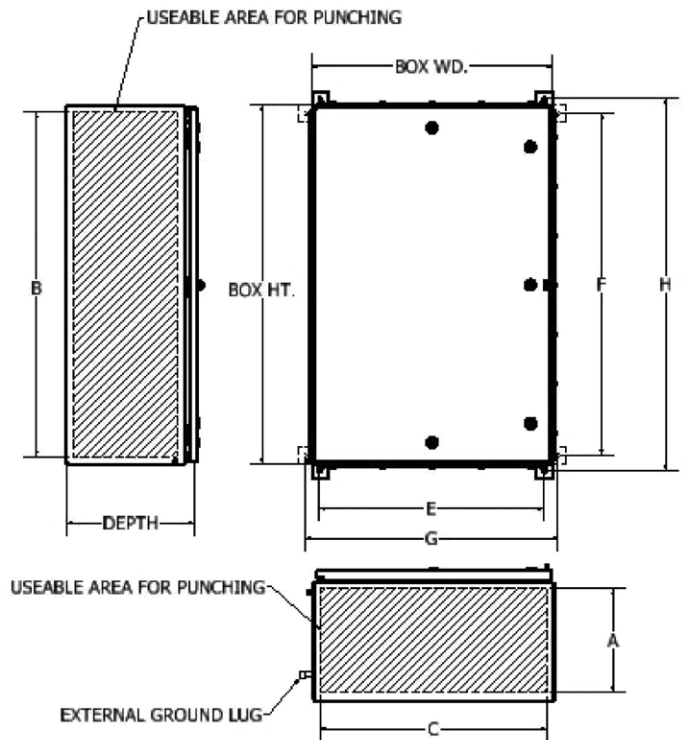


USF SLOPE FLANGE ENCLOSURE

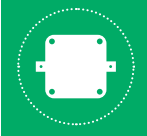


CATALOG NUMBER	"A" BLANK WALL AREA	"B" BLANK WALL AREA	"C" BLANK WALL AREA	(W) MAX. POWER
USF121206-JB	5.74 (146)	10.93 (277)	10.93 (277)	15.0
USF161206-JB	5.74 (146)	14.93 (379)	10.93 (277)	17.0
USF161208-JB	7.74 (196)	14.93 (379)	10.93 (277)	20.6
USF161210-JB	9.74 (247)	14.93 (379)	10.93 (277)	23.5
USF161606-JB	5.74 (146)	14.93 (379)	14.93 (379)	19.0
USF161608-JB	7.74 (196)	14.93 (379)	14.93 (379)	20.0
USF161610-JB	9.74 (247)	14.93 (379)	14.93 (379)	25.0
USF201606-JB	5.74 (146)	18.93 (480)	14.93 (379)	21.0
USF201608-JB	7.74 (196)	18.93 (480)	14.93 (379)	23.0
USF201610-JB	9.74 (247)	18.93 (480)	14.93 (379)	26.0
USF202006-JB	5.74 (146)	18.93 (480)	18.93 (480)	24.3
USF202008-JB	7.74 (196)	18.93 (480)	18.93 (480)	26.0
USF202010-JB	9.74 (247)	18.93 (480)	18.93 (480)	30.0
USF202012-JB	11.74 (298)	18.93 (480)	18.93 (480)	36.0
USF241606-JB	5.74 (146)	22.93 (582)	14.93 (379)	35.0
USF241608-JB	7.74 (196)	22.93 (582)	14.93 (379)	36.0
USF241610-JB	9.74 (247)	22.93 (582)	14.93 (379)	31.0
USF242006-JB	5.74 (146)	22.93 (582)	18.93 (480)	24.5
USF242008-JB	7.74 (196)	22.93 (582)	18.93 (480)	31.5
USF242010-JB	9.74 (247)	22.93 (582)	18.93 (480)	33.6
USF242012-JB	11.74 (298)	22.93 (582)	18.93 (480)	36.0
USF242406-JB	5.74 (146)	22.93 (582)	22.93 (582)	25.8
USF242408-JB	7.74 (196)	22.93 (582)	22.93 (582)	34.0
USF242410-JB	9.74 (247)	22.93 (582)	22.93 (582)	34.0
USF242412-JB	11.74 (298)	22.93 (582)	22.93 (582)	38.0
USF242416-JB	15.74 (400)	22.93 (582)	22.93 (582)	42.0
USF242420-JB	19.74 (501)	22.93 (582)	22.93 (582)	57.3
USF302008-JB	7.74 (196)	28.93 (735)	18.93 (480)	36.5
USF302010-JB	9.74 (247)	28.93 (735)	18.93 (480)	36.0
USF302408-JB	7.74 (196)	28.93 (735)	22.93 (582)	39.0
USF302410-JB	9.74 (247)	28.93 (735)	22.93 (582)	38.0
USF302412-JB	11.74 (298)	28.93 (735)	22.93 (582)	40.0
USF302420-JB	19.74 (501)	28.93 (735)	22.93 (582)	57.3
USF303008-JB	7.74 (196)	28.93 (735)	28.93 (735)	43.0
USF303010-JB	9.74 (247)	28.93 (735)	28.93 (735)	40.0
USF303012-JB	11.74 (298)	28.93 (735)	28.93 (735)	46.0
USF362408-JB	7.74 (196)	34.93 (887)	22.93 (582)	44.0
USF362410-JB	9.74 (247)	34.93 (887)	22.93 (582)	40.0

All dimension in. (mm)



USF MAXIMUM CONDUIT / GLAND OPENINGS					
W/O GLAND PLATE			W/ GLAND PLATE		
BOX DEPTH	MAX NPT	MAX METRIC	BOX DEPTH	MAX NPT	MAX METRIC
6	3-1/2"	M100	6	2-1/2"	M75
8	4"	M100	8	4"	M100
10	4"	M100	10	4"	M100
12	4"	M100	12	4"	M100
16	4"	M100	16	4"	M100
20	4"	M100	20	4"	M100



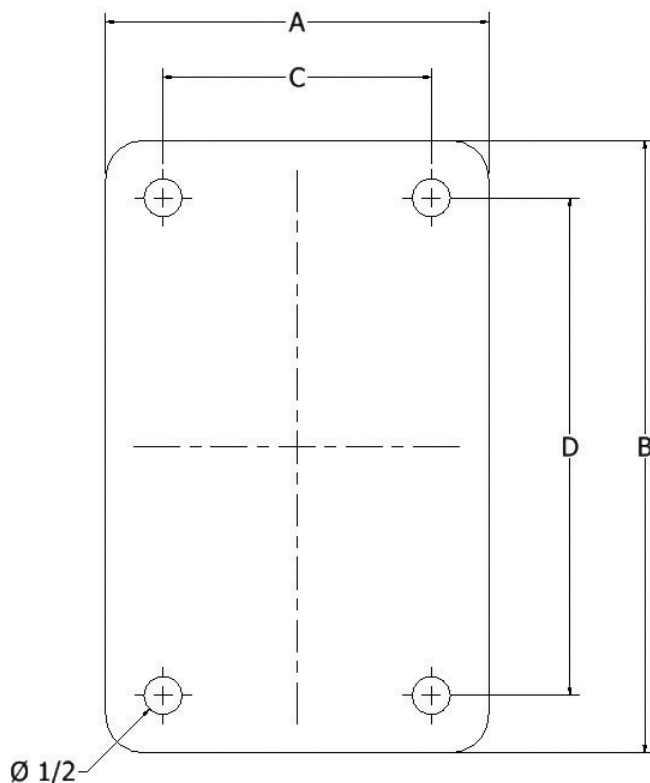
ENCLOSURES
USF SERIES

USF SLOPE FLANGE ENCLOSURES



USF SERIES INTERNAL MOUNTING PAN					
CATALOG NO.	A	B	C	D	THICKNESS
USF1212P	9.00 (229)	9.00 (229)	7.25 (184)	7.25 (184)	.13 (3.3)
USF1612P	9.00 (229)	13.00 (330)	7.25 (184)	11.25 (286)	.13 (3.3)
USF1616P	13.00 (330)	13.00 (330)	11.25 (286)	11.25 (286)	.13 (3.3)
USF2016P	13.00 (330)	17.00 (432)	11.25 (286)	15.25 (387)	.13 (3.3)
USF2020P	17.00 (432)	17.00 (432)	15.25 (387)	15.25 (387)	.13 (3.3)
USF2416P	13.00 (330)	21.00 (533)	11.25 (286)	19.25 (489)	.13 (3.3)
USF2420P	17.00 (432)	21.00 (533)	15.25 (387)	19.25 (489)	.13 (3.3)
USF2424P	21.00 (533)	21.00 (533)	19.25 (489)	19.25 (489)	.13 (3.3)
USF3020P	17.00 (432)	25.63 (651)	15.25 (387)	23.88 (606)	.13 (3.3)
USF3024P	21.00 (533)	25.63 (651)	19.25 (489)	23.88 (606)	.13 (3.3)
USF3030P	25.63 (651)	25.63 (651)	23.88 (606)	23.88 (606)	.13 (3.3)
USF3624P	21.00 (533)	32.63 (829)	19.25 (489)	30.88 (784)	.19 (4.8)

All dimension in. (mm)

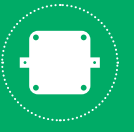


Internal mounting pans are made from high strength aluminum alloy. The aluminum alloy is corrosion resistant and can be drilled and tapped in the field for ease of installation of components.

Pans come standard with mounting hardware.

SUFFIX NUMBER	DESCRIPTION
KIT-251	100 amp ground lug
KIT-252	225 amp ground lug
SU3-KDE	Class I Div. 2 Grps A, B, C & D, Type 4X. Ex e IIC Zone 1 IP66 Drain and breather installed.
SU10-KDE	Class I Div. 2 Grps A, B, C & D, Type 4X. Ex e IIC Zone 1 IP66 Drain only installed.
DC	Document Wallet (enclosures 10 x 10 and larger only)
SU9	Special paint finish
SU14	Fungus proofing of enclosures

See enclosure modification page for conduit / gland hole sizes and spacing.



SJIC ENCLOSURES ONLY • SCREW COVER

TECHNETERM[®]



SJIC Series



SJIC-JB

Empty Enclosure

NEC / CEC Certifications

Class II, Div. 1 & 2, Groups E, F, & G
Class III

Ex tb / Zone 21 AEx tb, IIC T80°C/
T100°C/T130°C Db

Type 3, 4, 4X IP66

Ta=-50°C to +90°C



Certificate 70013827



ATEX / IEC Ex Certificate

II 2 G D 2813

Ex e IIC Gb

Ex tb IIC Db IP66

Service Temperature -55°C to +135°C

Sira 14ATEX3156U

IECEX SIR 14.0053U

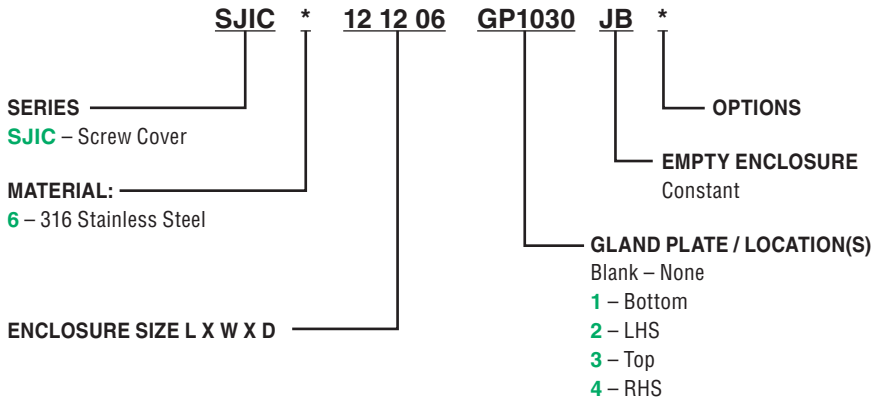
FEATURES-SPECIFICATIONS

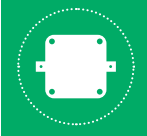
SJIC Enclosures Features – 15 Sizes

- 316 stainless steel cover screws
- Continuous robot welded seams for a hose down tight seal
- SJIC doors are interchangeable and easily removable

- Ground/earthing studs in both cover and through wall of the box
- One-piece, high temperature, closed cell silicone gasket with superior recovery and re-sealing properties
- Sturdy 14 gauge box construction helps prevent bending or permanent deflection of the walls when field installing openings

- Welded, one-piece mounting flanges on top and bottom for strength
- Openings for cable glands conduit can be factory or field installed. Gland plates available for all configurations.





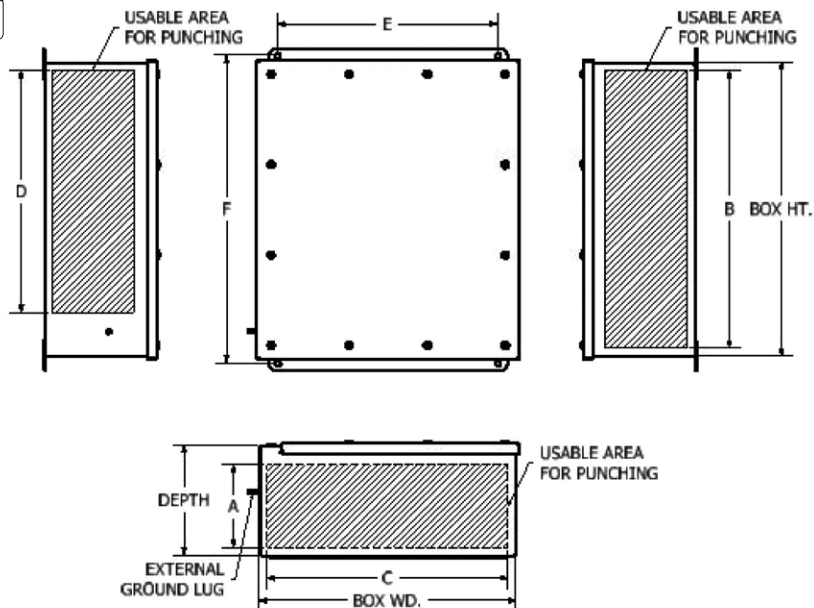
ENCLOSURES SJIC SERIES

SJIC ENCLOSURES ONLY

TECHNE-TERM[®]

SUFFIX NUMBER	DESCRIPTION
KIT-251	100 amp ground lug
KIT-252	225 amp ground lug
SU3-KDE	Class I Div. 2 Grps A, B, C & D, Type 4X. Ex e IIC Zone 1 IP 66 Drain and breather installed.
SU10-KDE	Class I Div. 2 Grps A, B, C & D, Type 4X. Ex e IIC Zone 1 IP 66 Drain only installed.
DC	Document Wallet (enclosures 10 x 10 and larger only)
SU9	Special paint finish
SU14	Fungus proofing of enclosures

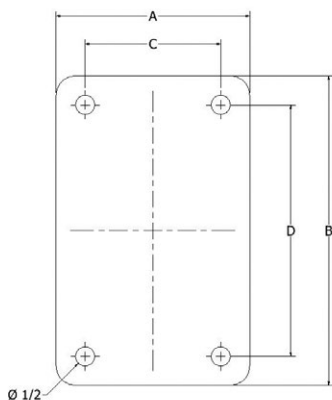
See enclosure modification page for conduit / gland hole sizes and spacing.



CATALOG NUMBER	HEIGHT IN. (MM)	WIDTH	DEPTH	"E"	"F"	"A" BLANK WALL	"B" BLANK WALL	"C" BLANK WALL	"D" BLANK WALL	(W) MAX. POWER	WEIGHT LBS (KG)
SJIC6040404-JB	4 (102)	4 (102)	4 (102)	2.00 (51)	4.75 (121)	2.47(63)	3.13 (79)	3.13 (79)	1.19 (30)	4.1	2.83 (1.3)
SJIC6060404-JB	6 (152)	4 (102)	4 (102)	2.00 (51)	6.75 (171)	2.47(63)	5.13 (130)	3.13 (79)	3.19 (81)	5.2	3.6 (1.6)
SJIC6060604-JB	6 (152)	6 (152)	4 (102)	4.00 (102)	6.75 (171)	2.47(63)	5.13 (130)	5.13 (130)	3.19 (81)	6.1	4.9 (2.2)
SJIC6060606-JB	6 (152)	6 (152)	6 (152)	4.00 (102)	6.75 (171)	4.47 (114)	5.13 (130)	5.13 (130)	3.19 (81)	8.4	5.9 (2.7)
SJIC6080606-JB	8 (203)	6 (152)	6 (152)	4.00 (102)	8.75 (222)	4.47 (114)	7.13 (181)	7.13 (181)	5.19 (132)	10.5	7.5 (3.4)
SJIC6080804-JB	8 (203)	8 (203)	4 (102)	6.00 (152)	8.75 (222)	2.47(63)	7.13 (181)	7.13 (181)	5.19 (132)	8.4	7.9 (3.6)
SJIC6080806-JB	8 (203)	8 (203)	6 (152)	6.00 (152)	8.75 (222)	4.47 (114)	7.13 (181)	7.13 (181)	5.19 (132)	11.4	8.33 (3.8)
SJIC6100804-JB	10 (254)	8 (203)	4 (102)	6.00 (152)	10.75 (273)	2.47(63)	9.13 (232)	7.13 (181)	7.19 (183)	8.4	9.5 (4.4)
SJIC6100806-JB	10 (254)	8 (203)	6 (152)	6.00 (152)	10.75 (273)	4.47 (114)	9.13 (232)	7.13 (181)	7.19 (183)	12.2	10 (4.5)
SJIC6101006-JB	10 (254)	10 (254)	6 (152)	8.00 (203)	10.75 (273)	4.47 (114)	9.13 (232)	9.13 (232)	7.19 (183)	13	11 (5)
SJIC6121005-JB	12 (305)	10 (254)	5 (127)	8.00 (203)	12.75 (324)	3.47 (88)	11.13 (283)	9.13 (232)	9.19 (233)	8.4	12 (5.4)
SJIC6121006-JB	12 (305)	10 (254)	6 (152)	8.00 (203)	12.75 (324)	4.47 (114)	11.13 (283)	9.13 (232)	9.19 (233)	14	13 (5.9)
SJIC6121206-JB	12 (305)	12 (305)	6 (152)	10.00 (254)	12.75 (324)	4.47 (114)	11.13 (283)	11.13 (283)	9.19 (233)	15	15 (6.8)
SJIC6141206-JB	14 (356)	12 (305)	6 (152)	10.00 (254)	14.75 (375)	4.47 (114)	13.13 (334)	11.13 (283)	11.19 (284)	16	16 (7.3)
SJIC6161406-JB	16 (406)	14 (356)	6 (152)	12 (305)	16.75 (425)	4.47 (114)	15.13 (384)	13.13 (334)	13.19 (335)	18	20 (9)

SJIC(H) SERIES INTERNAL MOUNTING PAN					
CATALOG NO.	A	B	C	D	THICKNESS
SJIC1010P	7.63 (194)	7.63 (194)	7.00 (178)	7.00 (178)	.13 (3.2)
SJIC1210P	7.63 (194)	9.63 (244)	7.00 (178)	9.00 (228)	.13 (3.2)
SJIC1212P	9.63 (244)	9.63 (244)	9.00 (228)	9.00 (228)	.13 (3.2)
SJIC1412P	9.63 (244)	11.63 (295)	9.00 (228)	11.00 (279)	.13 (3.2)
SJIC1614P	11.63 (295)	13.63 (346)	11.00 (279)	13.00 (330)	.13 (3.2)

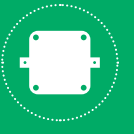
All dimension in. (mm)



Internal mounting pans are made from high strength aluminum alloy. The aluminum alloy is corrosion resistant and can be drill and tapped in the field for ease of installation of components.

Pans come standard with mounting hardware.

SJIC / SJICH MAXIMUM CONDUIT / GLAND OPENINGS					
W/O GLAND PLATE			W/ GLAND PLATE		
BOX DEPTH	MAX NPT	MAX METRIC	BOX DEPTH	MAX NPT	MAX METRIC
4	1"	M32	4	1/2"	M20
5	1-1/2"	M50	5	1-1/4"	M40
6	3"	M80	6	2"	M63



SJICH ENCLOSURES ONLY • HINGED SCREW COVER

TECHNETERM[®]



SJICH Series



SJICH-JB

Empty Enclosure

NEC / CEC Certifications

Class II, Div. 1 & 2, Groups E, F, & G
Class III

Ex tb / Zone 21 AEx tb, IIIC T80°C/
T100°C/T130°C Db

Type 3, 4, 4X IP66

Ta=-50°C to +90°C



Certificate 70013827

ATEX / IEC Ex Certificate



II 2 G D 2813

Ex e IIC Gb

Ex tb IIIC Db IP66

Service Temperature -55°C to +135°C

Sira 14ATEX3156U

IECEX SIR 14.0053U

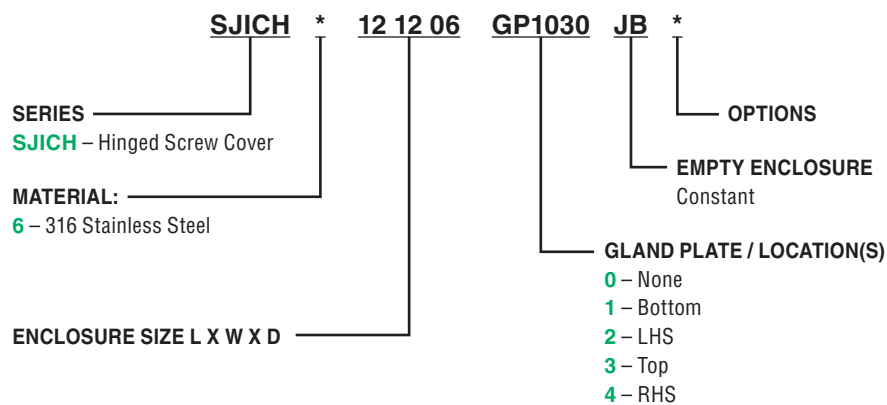
FEATURES-SPECIFICATIONS

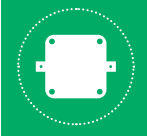
SJICH Enclosures Features – 11 Sizes

- 316 stainless steel cover screws
- Continuous robot welded seams for a hose down tight seal
- SJICH have continuous, one-piece hinge construction

- Ground/earthing studs in both cover and through wall of the box
- One-piece, high temperature, closed cell silicone gasket with superior recovery and re-sealing properties
- Sturdy 14 gauge box construction helps prevent bending or permanent deflection of the walls when field installing openings

- Welded, one-piece mounting flanges on top and bottom for strength
- Openings for cable glands conduit can be factory or field installed. Gland plates available for all configurations.



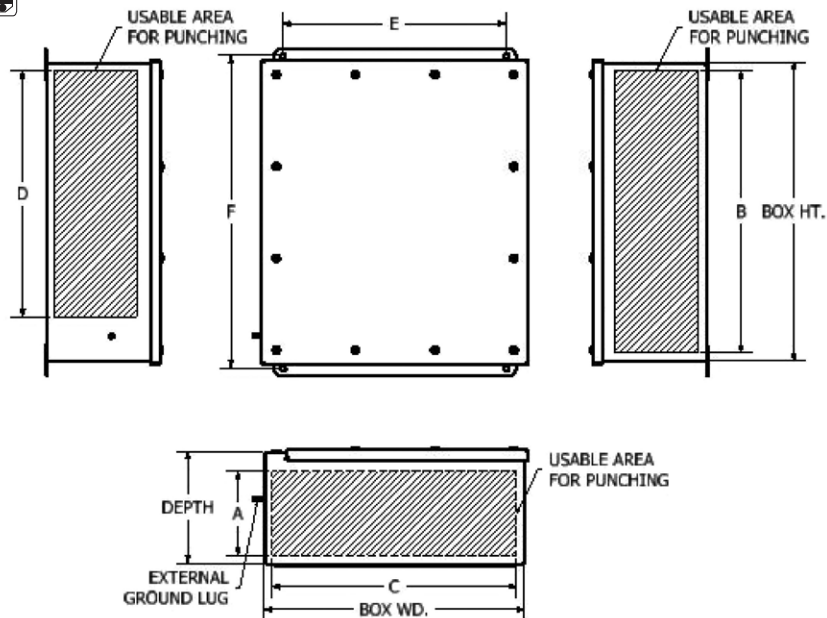


ENCLOSURES SJICH SERIES

SJICH ENCLOSURES ONLY

TECHNE-TERM[®]

SUFFIX NUMBER	DESCRIPTION
KIT-251	100 amp ground lug
KIT-252	225 amp ground lug
SU3-KDE	Class I Div. 2 Grps A, B, C & D, Type 4X. Ex e IIC Zone 1 IP 66 Drain and breather installed.
SU10-KDE	Class I Div. 2 Grps A, B, C & D, Type 4X. Ex e IIC Zone 1 IP66 Drain only installed.
DC	Document Wallet (enclosures 10 x 10 and larger only)
SU9	Special paint finish
SU14	Fungus proofing of enclosures

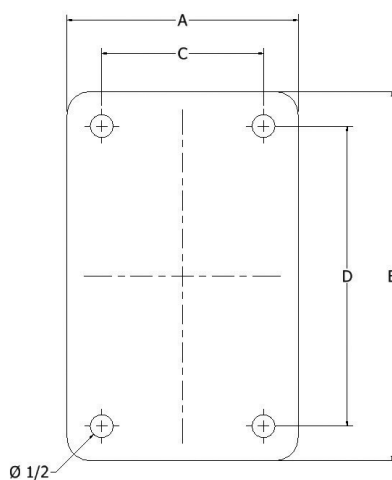


See enclosure modification page for conduit / gland hole sizes and spacing.

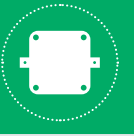
CATALOG NUMBER	HEIGHT IN. (MM)	WIDTH	DEPTH	"E"	"F"	"A" BLANK WALL	"B" BLANK WALL	"C" BLANK WALL	"D" BLANK WALL	(W) MAX. POWER	WEIGHT LBS (KG)
SJICH6080606-JB	8 (203)	6 (152)	6 (152)	4.00 (102)	8.75 (222)	4.47 (114)	7.13 (181)	7.13 (181)	5.19 (132)	10.5	7.5 (3.4)
SJICH6080804-JB	8 (203)	8 (203)	4 (102)	6.00 (152)	8.75 (222)	2.47(63)	7.13 (181)	7.13 (181)	5.19 (132)	8.4	7.9 (3.6)
SJICH6080806-JB	8 (203)	8 (203)	6 (152)	6.00 (152)	8.75 (222)	4.47 (114)	7.13 (181)	7.13 (181)	5.19 (132)	11.4	8.33 (3.8)
SJICH6100804-JB	10 (254)	8 (203)	4 (102)	6.00 (152)	10.75 (273)	2.47(63)	9.13 (232)	7.13 (181)	7.19 (183)	8.4	9.5 (4.4)
SJICH6100806-JB	10 (254)	8 (203)	6 (152)	6.00 (152)	10.75 (273)	4.47 (114)	9.13 (232)	7.13 (181)	7.19 (183)	12.2	10 (4.5)
SJICH6101006-JB	10 (254)	10 (254)	6 (152)	8.00 (203)	10.75 (273)	4.47 (114)	9.13 (232)	9.13 (232)	7.19 (183)	13	11 (5)
SJICH6121005-JB	12 (305)	10 (254)	5 (127)	8.00 (203)	12.75 (324)	3.47 (88)	11.13 (283)	9.13 (232)	9.19 (233)	8.4	12 (5.4)
SJICH6121006-JB	12 (305)	10 (254)	6 (152)	8.00 (203)	12.75 (324)	4.47 (114)	11.13 (283)	9.13 (232)	9.19 (233)	14	13 (5.9)
SJICH6121206-JB	12 (305)	12 (305)	6 (152)	10.00 (254)	12.75 (324)	4.47 (114)	11.13 (283)	11.13 (283)	9.19 (233)	15	15 (6.8)
SJICH6141206-JB	14 (356)	12 (305)	6 (152)	10.00 (254)	14.75 (375)	4.47 (114)	13.13 (334)	11.13 (283)	11.19 (284)	16	16 (7.3)
SJICH6161406-JB	16 (406)	14 (356)	6 (152)	12 (305)	16.75 (425)	4.47 (114)	15.13 (384)	13.13 (334)	13.19 (335)	18	20 (9)

SJIC(H) SERIES INTERNAL MOUNTING PAN					
CATALOG NO.	A	B	C	D	THICKNESS
SJIC1010P	7.63 (194)	7.63 (194)	7.00 (178)	7.00 (178)	.13 (3.2)
SJIC1210P	7.63 (194)	9.63 (244)	7.00 (178)	9.00 (228)	.13 (3.2)
SJIC1212P	9.63 (244)	9.63 (244)	9.00 (228)	9.00 (228)	.13 (3.2)
SJIC1412P	9.63 (244)	11.63 (295)	9.00 (228)	11.00 (279)	.13 (3.2)
SJIC1614P	11.63 (295)	13.63 (346)	11.00 (279)	13.00 (330)	.13 (3.2)

All dimension in. (mm)
Internal mounting pans are made from high strength aluminum alloy. The aluminum alloy is corrosion resistant and can be drill and tapped in the field for ease of installation of components.
Pans come standard with mounting hardware.



SJIC / SJICH MAXIMUM CONDUIT / GLAND OPENINGS					
W/O GROUND PLATE			W/ GROUND PLATE		
BOX DEPTH	MAX NPT	MAX METRIC	BOX DEPTH	MAX NPT	MAX METRIC
4	1"	M32	4	1/2"	M20
5	1-1/2"	M50	5	1-1/4"	M40
6	3"	M80	6	2"	M63



USF / SJIC / SJICH ENCLOSURES



TABLE 1: Minimum distance from edge of box to the center of the conduit / cable entry.

NPT (METRIC)	4"	3-1/2"	3" (M75)	2-1/2" (M63)	2" (M50)	1-1/2" (M40)	1-1/4" (M32)	1" (M25)	3/4" (M20)	1/2" (M16)
IN. (MM)	2-3/4 (70)	2-1/2 (64)	2 (51)	2 (51)	1-5/8 (41)	1-3/8 (35)	1-1/4 (32)	1 (25)	7/8 (22)	3/4 (19)

TABLE 2 Minimum distance from edge of gland plate to the center of the conduit / cable entry.

NPT (METRIC)	4" (M100)	3-1/2" (M80)	3" (M75)	2-1/2" (M63)	2" (M50)	1-1/2" (M40)	1-1/4" (M32)	1" (M25)	3/4" (M20)	1/2" (M16)
IN. (MM)	3-1/4 (83)	3 (76)	2-3/4 (70)	2-1/2 (64)	2-1/8 (54)	1-7/8 (48)	1-3/4 (44)	1-1/2 (38)	1-3/8 (35)	1-1/4 (32)

TABLE 3: NEC / CEC minimum wire bending space from inside wall of the enclosure, North America applications only.

SIZE AWG (MM2)	16 (1.5)	14 (2.5)	12 (4)	10 (6)	8 (10)	6 (16)	4 (25)	2 (35)	1/0 (50)	2/0 (70)	3/0 (95)	4/0 (120)
IN. (MM)	1.5 (38)	1.5 (38)	1.5 (38)	1.5 (38)	1.5 (38)	2 (51)	3 (76)	3.5 (89)	5.5 (140)	6 (152)	6.5 (164)	7 (178)

TABLE 4: Punched hole diameters. For additional sizes not shown please contact the factory.

NPT	4"	3-1/2"	3"	2-1/2"	2"	1-1/2"	1-1/4"	1"	3/4"	1/2"
MAX. HOLE DIA. IN. (MM)	4.53 (115.06)	4.03 (102.36)	3.53 (89.66)	2.905 (73.79)	2.405 (61.08)	1.93 (49.2)	1.69 (42.93)	1.345 (34.16)	1.08 (27.4)	.87 (22.09)
METRIC	M100	M80	M75	M63	M50	M40	M32	M25	M20	M16
MAX. HOLE DIA. MM (IN.)	100.7 (3.94)	80.7 (3.15)	75.7 (2.95)	63.7 (2.48)	50.7 (1.97)	40.7 (1.58)	32.7 (1.26)	25.7 (0.98)	20.7 (0.79)	16.7 (0.63)

TABLE 5: Minimum distance of the center line to center line of the conduit / cable entries.

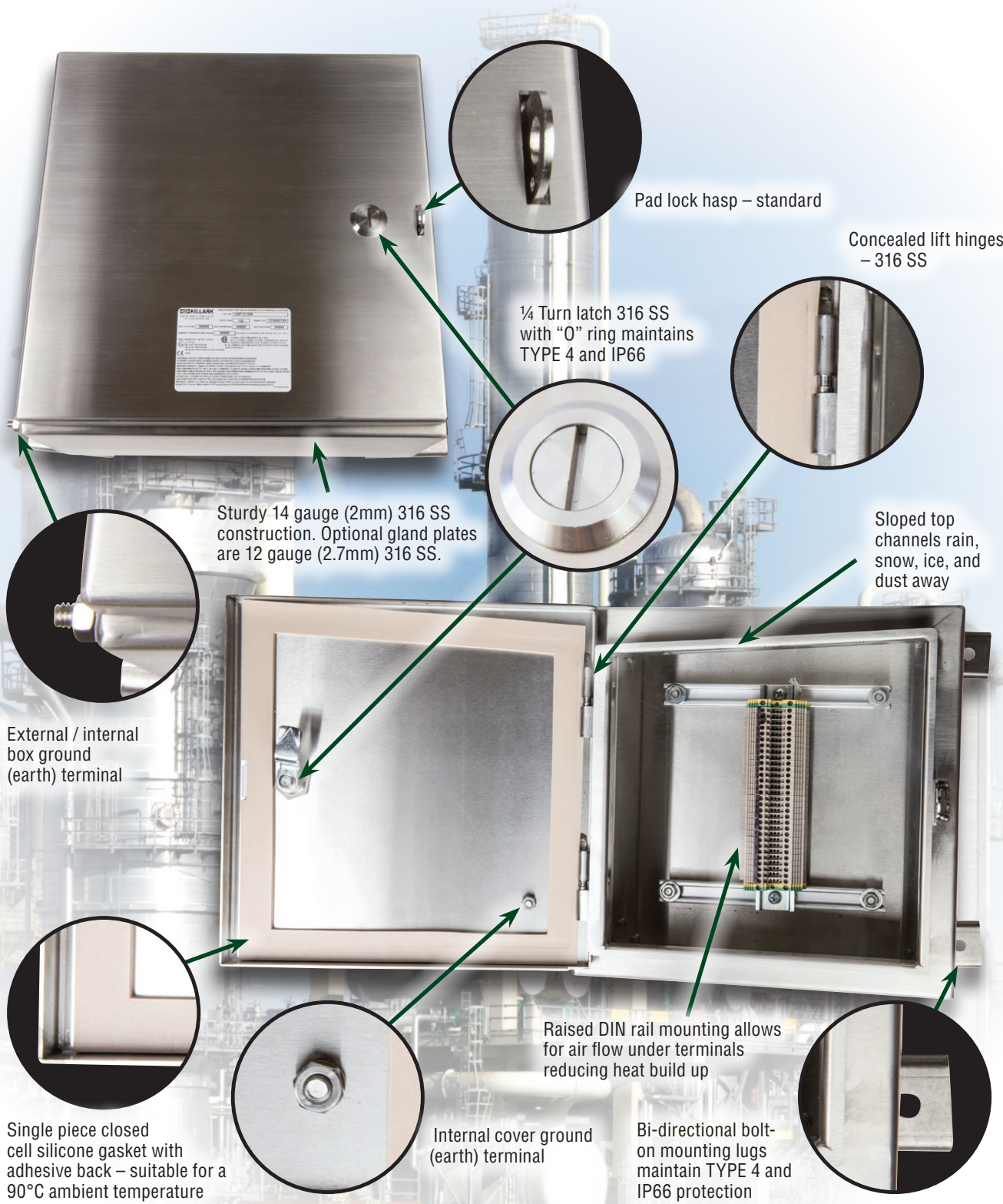
(NPT) [METRIC]	4 [M100]	3 1/2 [M80]	3 [M75]	2 1/2 [M63]	2 [M50]	1 1/2 [M40]	1 1/4 [M32]	1 [M25]	3/4 [M20]	1/2 [M16]
1/2 [M16]	3 5/8 [92mm]	3 3/8 [86mm]	3 1/8 [80mm]	2 3/4 [70mm]	2 1/2 [64mm]	2 1/4 [58mm]	2 1/8 [54mm]	1 7/8 [48mm]	1 3/4 [45mm]	1 5/8 [41mm]
3/4 [M20]	3 3/4 [96mm]	3 1/2 [89mm]	3 1/4 [83mm]	2 7/8 [74mm]	2 5/8 [68mm]	2 3/8 [60mm]	2 1/4 [58mm]	2 [51mm]	1 7/8 [48mm]	
1 [M25]	3 7/8 [99mm]	3 5/8 [92mm]	3 3/8 [86mm]	3 [77mm]	2 3/4 [70mm]	2 1/2 [64mm]	2 3/8 [60mm]	2 1/8 [54mm]		
1 1/4 [M32]	4 1/8 [105mm]	3 7/8 [99mm]	3 1/2 [89mm]	3 1/4 [83mm]	3 [77mm]	2 3/4 [70mm]	2 1/2 [64mm]			
1 1/2 [M40]	4 1/4 [108mm]	4 [102mm]	3 3/4 [96mm]	3 3/8 [86mm]	3 1/8 [80mm]	2 7/8 [73mm]				
2 [M50]	4 3/4 [121mm]	4 1/2 [115mm]	4 [102mm]	3 5/8 [92mm]	3 3/8 [86mm]					
2 1/2 [M63]	4 7/8 [124mm]	4 5/8 [118mm]	4 1/4 [108mm]	3 7/8 [99mm]						
3 [M75]	5 1/4 [134mm]	5 [127mm]	4 5/8 [118mm]							
3 1/2 [M80]	5 3/4 [147mm]	5 1/2 [140mm]								
4 [M100]	6 1/4 [159mm]									

All dimension in. (mm)



ENCLOSURES
USF SERIES

TERMINAL BOXES FOR HARSH & HAZARDOUS ENVIRONMENTS



Pad lock hasp – standard

Concealed lift hinges – 316 SS

¼ Turn latch 316 SS with “O” ring maintains TYPE 4 and IP66

Sturdy 14 gauge (2mm) 316 SS construction. Optional gland plates are 12 gauge (2.7mm) 316 SS.

Sloped top channels rain, snow, ice, and dust away

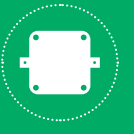
External / internal box ground (earth) terminal

Raised DIN rail mounting allows for air flow under terminals reducing heat build up

Single piece closed cell silicone gasket with adhesive back – suitable for a 90°C ambient temperature

Internal cover ground (earth) terminal

Bi-directional bolt-on mounting lugs maintain TYPE 4 and IP66 protection



USF TERMINAL BOXES

TECHNE-TERM[®]



USF Series



USF

Terminal Boxes

NEC / CEC Certifications

Class I, Div. 2 Groups A, B, C, & D
Ex eb / Class I Zone 1 AEx eb IIC Gb
Class II, Div. 1 & 2, Groups E, F, & G
Class III
Ex tb Zone 21 AEx tb, IIIC T80°C/
T100°C/T130°C Db
Type 3, 4, 4X IP66
Ta = -50°C to +40°C T6
Ta = -50°C to +55°C T5
Ta = -50°C to +90°C T4
Certificate 70013827



ATEX / IEC Ex Certificate



II 2 G D CE 2813
Ex eb IIC T6/T5/T4 Gb
Ex ib IIC T6/T5/T4 Gb
Ex tb IIIC T80°C/T100°C/T130°C
Db IP66
Ta = -50°C to +40°C
Ta = -50°C to +55°C
Ta = -50°C to +90°C
Service Temperature -55°C to +135°C
Sira 14ATEX3157
IECEx SIR 14.0055
IEEx 15.0155X



FEATURES-SPECIFICATIONS

USF Terminal Box Features – 38 Sizes

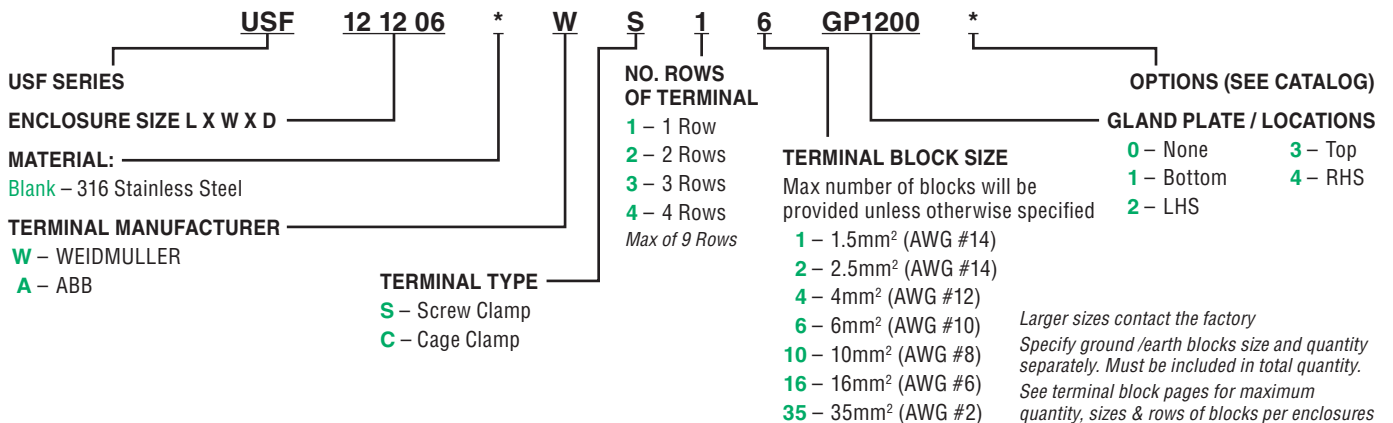
- Offered with ABB or Weidmuller terminal blocks in choice of screw terminal or cage (spring) clamp style with DIN rail mounted. Intrinsically safe terminals also available.
- Externally sloped top flange directs water, melting ice/snow and dust build-up away from the opening side of the door
- Continuous robot welded seams for a hose down tight seal
- Concealed hinges with removable hinge pins. Standard on left side.

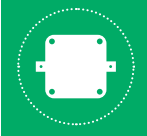
- Doors are interchangeable and easily removable
- Ground/earthing studs in both cover and through wall of the box
- Quarter-turn 316 stainless steel latch
- One-piece, high temperature, closed cell silicone gasket with superior recovery and re-sealing properties
- Sturdy 14 gauge box construction helps prevent bending or permanent deflection of the walls when field installing openings

- Bi-directional, movable mounting lugs for the widest flexibility during installations
- Openings for cable glands conduit can be factory or field installed. Gland plates available for all configurations.

Materials

- 316 stainless steel as standard.
- Optional material 304 stainless steel, carbon steel or aluminum.
- All external hardware 316 stainless steel.
- Gasket – one-piece, high temperature closed cell silicone





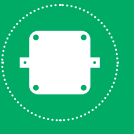
ENCLOSURES
USF SERIES

USF TERMINAL BOXES



CATALOG NUMBER	HEIGHT IN. (MM)	WIDTH	DEPTH	"E"	"F"	"G"	"H"	"A" GLAND PLATE	"B" GLAND PLATE	"C" GLAND PLATE	WEIGHT LBS (KG)
USF121206	12 (305)	12 (305)	6 (153)	10.69 (272)	10.69 (272)	13.63 (346)	13.63 (346)	4.06 (103)	9.63 (245)	9.63 (245)	14 (6.3)
USF161206	16 (407)	12 (305)	6 (153)	10.69 (272)	14.69 (373)	13.63 (346)	17.63 (448)	4.06 (103)	13.38 (340)	9.63 (245)	20 (9.1)
USF161208	16 (407)	12 (305)	8 (203)	10.69 (272)	14.69 (373)	13.63 (346)	17.63 (448)	6.06 (154)	13.38 (340)	9.63 (245)	22 (10)
USF161210	16 (407)	12 (305)	10 (254)	10.69 (272)	14.69 (373)	13.63 (346)	17.63 (448)	8.06 (205)	13.38 (340)	9.63 (245)	24 (10.9)
USF161606	16 (407)	16 (407)	6 (153)	14.69 (373)	14.69 (373)	17.63 (448)	17.63 (448)	4.06 (103)	13.38 (340)	13.38 (340)	26 (11.8)
USF161608	16 (407)	16 (407)	8 (203)	14.69 (373)	14.69 (373)	17.63 (448)	17.63 (448)	6.06 (154)	13.38 (340)	13.38 (340)	27 (12.2)
USF161610	16 (407)	16 (407)	10 (254)	14.69 (373)	14.69 (373)	17.63 (448)	17.63 (448)	8.06 (205)	13.38 (340)	13.38 (340)	29 (13.2)
USF201606	20 (508)	16 (407)	6 (153)	18.69 (475)	14.69 (373)	21.63 (549)	17.63 (448)	4.06 (103)	17.38 (441)	13.38 (340)	29 (13.2)
USF201608	20 (508)	16 (407)	8 (203)	14.69 (373)	18.69 (475)	17.63 (448)	21.63 (549)	6.06 (154)	17.38 (441)	13.38 (340)	31 (14)
USF201610	20 (508)	16 (407)	10 (254)	14.69 (373)	18.69 (475)	17.63 (448)	21.63 (549)	8.06 (205)	17.38 (441)	13.38 (340)	32 (14.5)
USF202006	20 (508)	20 (508)	6 (153)	14.69 (373)	18.69 (475)	17.63 (448)	21.63 (549)	4.06 (103)	17.38 (441)	17.38 (441)	35 (15.9)
USF202008	20 (508)	20 (508)	8 (203)	18.69 (475)	18.69 (475)	21.63 (549)	21.63 (549)	6.06 (154)	17.38 (441)	17.38 (441)	37 (16.8)
USF202010	20 (508)	20 (508)	10 (254)	18.69 (475)	18.69 (475)	21.63 (549)	21.63 (549)	8.06 (205)	17.38 (441)	17.38 (441)	39 (17.7)
USF202012	20 (508)	20 (508)	12 (305)	18.69 (475)	18.69 (475)	21.63 (549)	21.63 (549)	10.06 (255)	17.38 (441)	17.38 (441)	44 (20)
USF241606	24 (610)	16 (407)	6 (153)	14.69 (373)	22.69 (576)	17.63 (448)	25.63 (651)	4.06 (103)	21.38 (543)	13.38 (340)	35 (15.9)
USF241608	24 (610)	16 (407)	8 (203)	18.69 (475)	18.69 (475)	21.63 (549)	21.63 (549)	6.06 (154)	21.38 (543)	13.38 (340)	36 (16.3)
USF241610	24 (610)	16 (407)	10 (254)	14.69 (373)	22.69 (576)	17.63 (448)	25.63 (651)	8.06 (205)	21.38 (543)	13.38 (340)	38 (17.2)
USF242006	24 (610)	20 (508)	6 (153)	14.69 (373)	22.69 (576)	17.63 (448)	25.63 (651)	4.06 (103)	21.38 (543)	17.38 (441)	42 (19)
USF242008	24 (610)	20 (508)	8 (203)	18.69 (475)	22.69 (576)	21.63 (549)	25.63 (651)	6.06 (154)	21.38 (543)	17.38 (441)	43 (19.5)
USF242010	24 (610)	20 (508)	10 (254)	18.69 (475)	22.69 (576)	21.63 (549)	25.63 (651)	8.06 (205)	21.38 (543)	17.38 (441)	44 (20)
USF242012	24 (610)	20 (508)	12 (305)	18.69 (475)	22.69 (576)	21.63 (549)	25.63 (651)	10.06 (255)	21.38 (543)	17.38 (441)	46 (20.9)
USF242406	24 (610)	24 (610)	6 (153)	18.69 (475)	22.69 (576)	21.63 (549)	25.63 (651)	4.06 (103)	21.38 (543)	21.38 (543)	49 (22.2)
USF242408	24 (610)	24 (610)	8 (203)	22.69 (576)	22.69 (576)	25.63 (651)	25.63 (651)	6.06 (154)	21.38 (543)	21.38 (543)	53 (24)
USF242410	24 (610)	24 (610)	10 (254)	22.69 (576)	22.69 (576)	25.63 (651)	25.63 (651)	8.06 (205)	21.38 (543)	21.38 (543)	58 (26.3)
USF242412	24 (610)	24 (610)	12 (305)	22.69 (576)	22.69 (576)	25.63 (651)	25.63 (651)	10.06 (255)	21.38 (543)	21.38 (543)	62 (28.1)
USF242416	24 (610)	24 (610)	16 (407)	22.69 (576)	22.69 (576)	25.63 (651)	25.63 (651)	14.06 (357)	21.38 (543)	21.38 (543)	71 (32.2)
USF242420	24 (610)	24 (610)	20 (508)	22.69 (576)	22.69 (576)	25.63 (651)	25.63 (651)	18.06 (458)	21.38 (543)	21.38 (543)	78 (35.4)
USF302008	30 (762)	20 (508)	8 (203)	22.69 (576)	22.69 (576)	25.63 (651)	25.63 (651)	6.06 (154)	26.00 (660)	17.38 (441)	59 (26.8)
USF302010	30 (762)	20 (508)	10 (254)	18.69 (475)	28.69 (729)	21.63 (549)	31.63 (803)	8.06 (205)	26.00 (660)	17.38 (441)	61 (27.7)
USF302408	30 (762)	24 (610)	8 (203)	18.69 (475)	28.69 (729)	21.63 (549)	31.63 (803)	6.06 (154)	26.00 (660)	21.38 (543)	56 (25.4)
USF302410	30 (762)	24 (610)	10 (254)	22.69 (576)	28.69 (729)	25.63 (651)	31.63 (803)	8.06 (205)	26.00 (660)	21.38 (543)	63 (28.6)
USF302412	30 (762)	24 (610)	12 (305)	22.69 (576)	28.69 (729)	25.63 (651)	31.63 (803)	10.06 (255)	26.00 (660)	21.38 (543)	64 (29)
USF302420	30 (762)	24 (610)	20 (508)	22.69 (576)	28.69 (729)	25.63 (651)	31.63 (803)	18.06 (458)	26.00 (660)	21.38 (543)	99 (45)
USF303008	30 (762)	30 (762)	8 (203)	22.69 (576)	28.69 (729)	25.63 (651)	31.63 (803)	6.06 (154)	26.00 (660)	26.00 (660)	68 (30.8)
USF303010	30 (762)	30 (762)	10 (254)	28.69 (729)	28.69 (729)	31.63 (803)	31.63 (803)	8.06 (205)	26.00 (660)	26.00 (660)	72 (32.7)
USF303012	30 (762)	30 (762)	12 (305)	28.69 (729)	28.69 (729)	31.63 (803)	31.63 (803)	10.06 (255)	26.00 (660)	26.00 (660)	89 (40.4)
USF362408	36 (915)	24 (610)	8 (203)	34.69 (881)	28.69 (729)	37.63 (956)	31.63 (803)	6.06 (154)	33.00 (838)	21.38 (543)	66 (30)
USF362410	36 (915)	24 (610)	10 (254)	9.79 (249)	35.20 (894)	8.15 (207)	27.63 (702)	8.06 (205)	33.00 (838)	21.38 (543)	70 (31.8)

All dimension in. (mm)



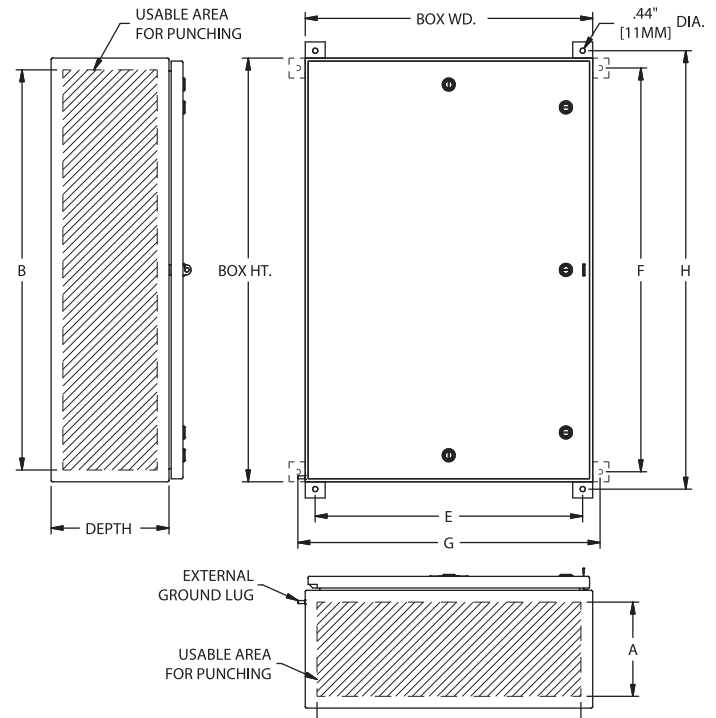
USF TERMINAL BOXES



CATALOG NUMBER	"A" BLANK WALL AREA	"B" BLANK WALL AREA	"C" BLANK WALL AREA	(W) MAX. POWER
USF121206	5.74 (146)	10.93 (277)	10.93 (277)	15.0
USF161206	5.74 (146)	14.93 (379)	10.93 (277)	17.0
USF161208	7.74 (196)	14.93 (379)	10.93 (277)	20.6
USF161210	9.74 (247)	14.93 (379)	10.93 (277)	23.5
USF161606	5.74 (146)	14.93 (379)	14.93 (379)	19.0
USF161608	7.74 (196)	14.93 (379)	14.93 (379)	20.0
USF161610	9.74 (247)	14.93 (379)	14.93 (379)	25.0
USF201606	5.74 (146)	18.93 (480)	14.93 (379)	21.0
USF201608	7.74 (196)	18.93 (480)	14.93 (379)	23.0
USF201610	9.74 (247)	18.93 (480)	14.93 (379)	26.0
USF202006	5.74 (146)	18.93 (480)	18.93 (480)	24.3
USF202008	7.74 (196)	18.93 (480)	18.93 (480)	26.0
USF202010	9.74 (247)	18.93 (480)	18.93 (480)	30.0
USF202012	11.74 (298)	18.93 (480)	18.93 (480)	36.0
USF241606	5.74 (146)	22.93 (582)	14.93 (379)	35.0
USF241608	7.74 (196)	22.93 (582)	14.93 (379)	36.0
USF241610	9.74 (247)	22.93 (582)	14.93 (379)	31.0
USF242006	5.74 (146)	22.93 (582)	18.93 (480)	24.5
USF242008	7.74 (196)	22.93 (582)	18.93 (480)	31.5
USF242010	9.74 (247)	22.93 (582)	18.93 (480)	33.6
USF242012	11.74 (298)	22.93 (582)	18.93 (480)	36.0
USF242406	5.74 (146)	22.93 (582)	22.93 (582)	25.8
USF242408	7.74 (196)	22.93 (582)	22.93 (582)	34.0
USF242410	9.74 (247)	22.93 (582)	22.93 (582)	34.0
USF242412	11.74 (298)	22.93 (582)	22.93 (582)	38.0
USF242416	15.74 (400)	22.93 (582)	22.93 (582)	42.0
USF242420	19.74 (501)	22.93 (582)	22.93 (582)	57.3
USF302008	7.74 (196)	28.93 (735)	18.93 (480)	36.5
USF302010	9.74 (247)	28.93 (735)	18.93 (480)	36.0
USF302408	7.74 (196)	28.93 (735)	22.93 (582)	39.0
USF302410	9.74 (247)	28.93 (735)	22.93 (582)	38.0
USF302412	11.74 (298)	28.93 (735)	22.93 (582)	40.0
USF302420	19.74 (501)	28.93 (735)	22.93 (582)	57.3
USF303008	7.74 (196)	28.93 (735)	28.93 (735)	43.0
USF303010	9.74 (247)	28.93 (735)	28.93 (735)	40.0
USF303012	11.74 (298)	28.93 (735)	28.93 (735)	46.0
USF362408	7.74 (196)	34.93 (887)	22.93 (582)	44.0
USF362410	9.74 (247)	34.93 (887)	22.93 (582)	40.0

All dimension in. (mm)

USF MAXIMUM CONDUIT / GLAND OPENINGS					
W/O GLAND PLATE			W/ GLAND PLATE		
BOX DEPTH	MAX NPT	MAX METRIC	BOX DEPTH	MAX NPT	MAX METRIC
6	3-1/2"	M100	6	2-1/2"	M75
8	4"	M100	8	4"	M100
10	4"	M100	10	4"	M100
12	4"	M100	12	4"	M100
16	4"	M100	16	4"	M100
20	4"	M100	20	4"	M100



Standard terminal offering

- ABB ZS Screw Clamp
- ABB ZK Cage (Spring) Clamp
- Weidmuller WD Screw Clamp
- Weidmuller ZD Cage (Spring) Clamp

Additional ABB and Weidmuller terminal blocks available. Contact the factory for more information.

Terminals are mounted on TS-35 DIN rail. The rails are mounted to raised collared studs or unistrut rails which adds additional air flow and wire room.

See terminal block pages for maximum quantity, sizes and rows of blocks per enclosures.

Specify ground / earth blocks size and quantity separately. Must be included in total quantity.

The USF terminal boxes are suitable for use with Wago, Phoenix and Klemsan Elektrik terminals.

Options

- Panel ID tag 316 stainless steel
- Tamperproof latches
- Key latches
- Copper ground / earth bars

See enclosure modification page for conduit / gland holes sizes and spacing.



ENCLOSURES
USF SERIES

ABB TERMINALS

ABB ZS Series Screw Terminal

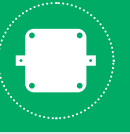
ZS 4		32 AMPS 4MM2 690VAC (12 AWG 600VAC)							
	1	2	3	4	5	6	7	8	
	ROW	ROWS	ROWS	ROWS	ROWS	ROWS	ROWS	ROWS	ROWS
USF1212**	33	66	99						
USF1612**	52	104	156						
USF1616**	52	104	156	208					
USF2016**	72	144	216	288					
USF2020**	72	144	216	288	360				
USF2416**	91	182	273	364					
USF2420**	91	182	273	364	455				
USF2424**	91	182	273	364	455	546			
USF3020**	114	228	342	456	570				
USF3024**	114	228	342	456	570	684			
USF3030**	114	260	342	456	570	684	798	912	
USF3624**	148	296	444	592	740	888			
ZS 6		41 AMPS 6MM2 690VAC (10 AWG 600VAC)							
USF1212**	29	58	87						
USF1612**	45	90	135						
USF1616**	45	90	135	180					
USF2016**	62	124	186	248					
USF2020**	62	124	186	248	310				
USF2416**	79	158	237	316					
USF2420**	79	158	237	316	395				
USF2424**	79	158	237	316	395	474			
USF3020**	98	196	294	392	490				
USF3024**	98	196	294	392	490	588			
USF3030**	98	260	294	392	490	588	686	784	
USF3624**	128	256	384	512	640	768			
ZS 10		57 AMPS 10MM2 690VAC (6 AWG 600VAC)							
USF1212**	21	42							
USF1612**	34	68							
USF1616**	34	68	102						
USF2016**	47	94	141						
USF2020**	47	94	141	188					
USF2416**	59	118	177						
USF2420**	59	118	177	236					
USF2424**	59	118	177	236	295				
USF3020**	74	148	222	296					
USF3024**	74	148	222	296	370				
USF3030**	74	148	222	296	370	444			
USF3624**	96	192	288	384	480				
ZS 16		76 AMPS 16MM2 690VAC (4 AWG 600VAC)							
USF1212**	17	34							
USF1612**	27	54							
USF1616**	27	54							
USF2016**	37	74							
USF2020**	37	74	111						
USF2416**	47	94							
USF2420**	47	94	141						
USF2424**	47	94	141	188					
USF3020**	59	118	177						
USF3024**	59	118	177	236					
USF3030**	59	118	177	236	295				
USF3624**	77	154	231	308					
ZS 35		125 AMPS 35MM2 690VAC (1/0 AWG 600VAC)							
USF1212**	10								
USF1612**	17								
USF1616**	17								
USF2016**	23								
USF2020**	23	46							
USF2416**	29								
USF2420**	29	58							
USF2424**	29	58							
USF3020**	37	74							
USF3024**	37	74							
USF3030**	37	74	111						
USF3624**	48	96							
ZS 4-D1		29 AMPS 4MM2 440VAC (12 AWG)							
USF1212**	33	66							
USF1612**	52	104							
USF1616**	52	104	156						
USF2016**	72	144	216						
USF2020**	72	144	216	288					
USF2416**	91	182	273						
USF2420**	91	182	273	364					
USF2424**	91	182	273	364	455				
USF3020**	114	228	342	456					
USF3024**	114	228	342	456	570				
USF3030**	114	260	342	456	570	684			
USF3624**	148	296	444	592	740				

ABB ZS Series Screw Terminal

ZS 6-D1		40 AMPS 6MM2 440VAC (10 AWG)							
	1	2	3	4	5	6	7	8	
	ROW	ROWS	ROWS	ROWS	ROWS	ROWS	ROWS	ROWS	ROWS
USF1212**	28	56							
USF1612**	45	90							
USF1616**	45	90	135						
USF2016**	62	124	186						
USF2020**	62	124	186	248					
USF2416**	79	158	237						
USF2420**	79	158	237	316					
USF2424**	79	158	237	316	395				
USF3020**	98	196	294	392					
USF3024**	98	196	294	392	490				
USF3030**	98	260	294	392	490	588			
USF3624**	128	256	384	512	640				
ZS 4-D2		29 AMPS 4MM2 440VAC (12 AWG)							
USF1212**	33	66							
USF1612**	52	104							
USF1616**	52	104	156						
USF2016**	72	144	216						
USF2020**	72	144	216	288					
USF2416**	91	182	273						
USF2420**	91	182	273	364					
USF2424**	91	182	273	364	455				
USF3020**	114	228	342	456					
USF3024**	114	228	342	456	570				
USF3030**	114	260	342	456	570	684			
USF3624**	148	296	444	592	740				
ZS 6-D2		40 AMPS 6MM2 440VAC (10 AWG)							
USF1212**	28	56							
USF1612**	45	90							
USF1616**	45	90							
USF2016**	62	124	186						
USF2020**	62	124	186	248					
USF2416**	79	158	237						
USF2420**	79	158	237	316					
USF2424**	79	158	237	316	395				
USF3020**	98	196	294	392					
USF3024**	98	196	294	392	490				
USF3030**	98	260	294	392	490	588			
USF3624**	128	256	384	512	640				

ABB ZK Series Cage Clamp Terminals

ZK 10		51 AMPS 10MM2 690VAC (6 AWG 600VAC)							
	1	2	3	4	5	6	7		
	ROW	ROWS	ROWS	ROWS	ROWS	ROWS	ROWS	ROWS	
USF1212**	18	36							
USF1612**	28	56							
USF1616**	28	56							
USF2016**	38	76							
USF2020**	38	76	114						
USF2416**	48	96							
USF2420**	48	96	144						
USF2424**	48	96	144	192					
USF3020**	60	120	180						
USF3024**	60	120	180	240					
USF3030**	60	120	180	240	300				
USF3624**	78	156	234	312					
ZK 16		69 AMPS 16MM2 690VAC (4 AWG 600VAC)							
USF1212**	15								
USF1612**	23								
USF1616**	23	46							
USF2016**	32	64							
USF2020**	32	64	96						
USF2416**	40	80							
USF2420**	40	80	120						
USF2424**	40	80	120						
USF3020**	50	100	150						
USF3024**	50	100	150						
USF3030**	50	100	150	200					
USF3624**	65	130	195						
ZK 2.5-3P		21 AMPS 2.5MM2 690VAC (14 AWG 600VAC)							
USF1212**	35	70							
USF1612**	54	108							
USF1616**	54	108	162						
USF2016**	74	148	222						
USF2020**	74	148	222	296					
USF2416**	93	186	279						
USF2420**	93	186	279	372					
USF2424**	93	186	279	372	465				
USF3020**	116	232	348	464	580				
USF3024**	116	232	348	464	580	900	812		
USF3030**	116	232	348	464	580	750			
USF3624**	150	300	450	600	750				
ABB ZK SERIES CAGE CLAMP TERMINALS									
ZK 2.5		21 AMPS 2.5MM2 690VAC (14 AWG 600VAC)							
USF1212**	35	70	105						
USF1612**	54	108	162						
USF1616**	54	108	162	216					
USF2016**	74	148	222	296					
USF2020**	74	148	222	296	370				
USF2416**	93	186	279	372					
USF2420**	93	186	279	372	465				
USF2424**	93	186	279	372	465	558			
USF3020**	116	232	348	464	580				
USF3024**	116	232	348	464	580	696			
USF3030**	116	260	348	464	580	696	812	928	
USF3624**	150	300	450	600	750	900			
ZK 4		29 AMPS 4MM2 690VAC (12 AWG 600VAC)							
USF1212**	31	62	93						
USF1612**	47	94	141						
USF1616**	47	94	141	188					
USF2016**	64	128	192	256					
USF2020**	64	128	192	256	320				
USF2416**	81	162	243	324					
USF2420**	81	162	243	324	405				



WEIDMULLER TERMINALS

Weidmuller WDU Series Screw Terminal

WDU 2.5	15 AMPS 2.5MM ² 550VAC (14 AWG)						
	1 ROW	2 ROWS	3 ROWS	4 ROWS	5 ROWS	6 ROWS	7 ROWS
USF1212**	35	70					
USF1612**	55	110					
USF1616**	55	110	165				
USF2016**	75	150	225				
USF2020**	75	150	225	300	375		
USF2416**	95	190	285				
USF2420**	95	190	285	380	475		
USF2424**	95	190	285	380	475	570	
USF3020**	118	236	354	472	590		
USF3024**	118	236	354	472	590	708	
USF3030**	118	236	354	472	590	708	826
USF3624**	153	306	459	612	765	918	

WDU 4	28 AMPS 4MM ² 690VAC (12 AWG 600VAC)						
USF1212**	29	58					
USF1612**	46	92					
USF1616**	46	92	138				
USF2016**	62	124	186				
USF2020**	62	124	186	248	310		
USF2416**	79	158	237				
USF2420**	79	158	237	316	395		
USF2424**	79	158	237	316	395	474	
USF3020**	98	196	294	392	490		
USF3024**	98	196	294	392	490	588	
USF3030**	98	196	294	392	490	588	686
USF3624**	127	254	381	508	635	762	

WDU 6	36 AMPS 6MM ² 550VAC (10 AWG)						
USF1212**	23	46					
USF1612**	35	70					
USF1616**	35	70	105				
USF2016**	48	96	144				
USF2020**	48	96	144	192	240		
USF2416**	61	122	183				
USF2420**	61	122	183	244	305		
USF2424**	61	122	183	244	305	366	
USF3020**	76	152	228	304	380		
USF3024**	76	152	228	304	380	456	
USF3030**	76	152	228	304	380	456	532
USF3624**	98	196	294	392	490	588	

WDU 10	50 AMPS 10MM ² 550VAC (8 AWG)						
USF1212**	18	36					
USF1612**	28	56					
USF1616**	28	56	84				
USF2016**	38	76	114				
USF2020**	38	76	114	152			
USF2416**	48	96	144				
USF2420**	48	96	144	192			
USF2424**	48	96	144	192	240		
USF3020**	60	120	180	240			
USF3024**	60	120	180	240	300		
USF3030**	60	120	180	240	300	360	420
USF3624**	78	156	234	312	390		

WDU 16	66 AMPS 16MM ² 690VAC (6 AWG 600VAC)						
USF1212**	14	28					
USF1612**	22	44					
USF1616**	22	44	66				
USF2016**	30	60	90				
USF2020**	30	60	90	120			
USF2416**	39	78	117				
USF2420**	39	78	117	156			
USF2424**	39	78	117	156	195		
USF3020**	48	96	144	192			
USF3024**	48	96	144	192	240		
USF3030**	48	96	144	192	240	288	
USF3624**	63	126	189	252	315		

WDU 35	109 AMPS 35MM ² 690VAC (2 AWG 600VAC)						
USF1212**	10						
USF1612**	17						
USF1616**	17	34					
USF2016**	23	46					
USF2020**	23	46	69				
USF2416**	29	58					
USF2420**	29	58	87				
USF2424**	29	58	87				
USF3020**	37	74	111				
USF3024**	37	74	111				
USF3030**	37	74	111	148			
USF3624**	48	96	144				

Weidmuller ZDU Series Cage Clamp Terminals

ZDU 2.5	21 AMPS 2.5MM ² 550VAC (14 AWG)						
USF1212**	35	70					
USF1612**	55	110					
USF1616**	55	110	165				
USF2016**	75	150	225				
USF2020**	75	150	225	300			
USF2416**	95	190	285				
USF2420**	95	190	285	380			
USF2424**	95	190	285	380	475	570	
USF3020**	118	236	354	472			
USF3024**	118	236	354	472	590	708	
USF3030**	118	236	354	472	590	708	826
USF3624**	153	306	459	612	765	918	

ZDU 4	28 AMPS 4MM ² 550VAC (12 AWG)						
USF1212**	29	58					
USF1612**	45	90					
USF1616**	45	90	135				
USF2016**	62	124	186				
USF2020**	62	124	186	248			
USF2416**	79	158	237				
USF2420**	79	158	237	316			
USF2424**	79	158	237	316	395	474	
USF3020**	98	196	294	392			
USF3024**	98	196	294	392	490	588	
USF3030**	98	196	294	392	490	588	686
USF3624**	127	254	381	508	635	762	

ZDU 6	36 AMPS 6MM ² 550VAC (10 AWG)						
USF1212**	21	42					
USF1612**	34	68					
USF1616**	34	68	102				
USF2016**	46	92	138				
USF2020**	46	92	138	184			
USF2416**	59	118	177				
USF2420**	59	118	177	236			
USF2424**	59	118	177	236	295		
USF3020**	73	146	219	292			
USF3024**	73	146	219	292	365		
USF3030**	73	146	219	292	365	438	511
USF3624**	95	190	285	380	475		

ZDU 10	50 AMPS 10MM ² 550VAC (8 AWG)						
USF1212**	17	35					
USF1612**	27	54					
USF1616**	27	54	81				
USF2016**	37	74					
USF2020**	37	74	111				
USF2416**	47	94					
USF2420**	47	94	141				
USF2424**	47	94	141	188			
USF3020**	59	118	177				
USF3024**	59	118	177	236			
USF3030**	59	118	177	236	295		
USF3624**	76	152	228	304			

ZDU 16	66 AMPS 16MM ² 690VAC (6 AWG 600VAC)						
USF1212**	14	28					
USF1612**	22	44					
USF1616**	22	44	66				
USF2016**	30	60	90				
USF2020**	30	60	90				
USF2416**	39	78	117				
USF2420**	39	78	117	156			
USF2424**	39	78	117	156	195		
USF3020**	48	96	144	192			
USF3024**	48	96	144	192	240		
USF3030**	48	96	144	192	240	288	
USF3624**	63	126	189	252	315		

ZDU 35	109 AMPS 35MM ² 690VAC (2 AWG 600VAC)						
USF1212**	11						
USF1612**	17						
USF1616**	17	34					
USF2016**	23	46					
USF2020**	23	46					
USF2416**	29	58					
USF2420**	29	58					
USF2424**	29	58					
USF3020**	37	74					
USF3024**	37	74					
USF3030**	37	74	111				
USF3624**	48	96					

Weidmuller WDUN Series Screw Clamp Terminals

WDU 2.5N	15 AMPS 2.5MM ² 440VAC (14 AWG)								
USF1212**	34	68	102						
USF1612**	54	108	162						
USF1616**	54	108	162	216					
USF2016**	74	148	222	296					
USF2020**	74	148	222	296	370				
USF2416**	94	188	282	376					
USF2420**	94	188	282	376	470				
USF2424**	94	188	282	376	470	564	658		
USF3020**	118	236	354	472	590				
USF3024**	118	236	354	472	590	708	826		
USF3030**	118	236	354	472	590	708	826	944	1062
USF3624**	153	306	459	612	765	918	1377		

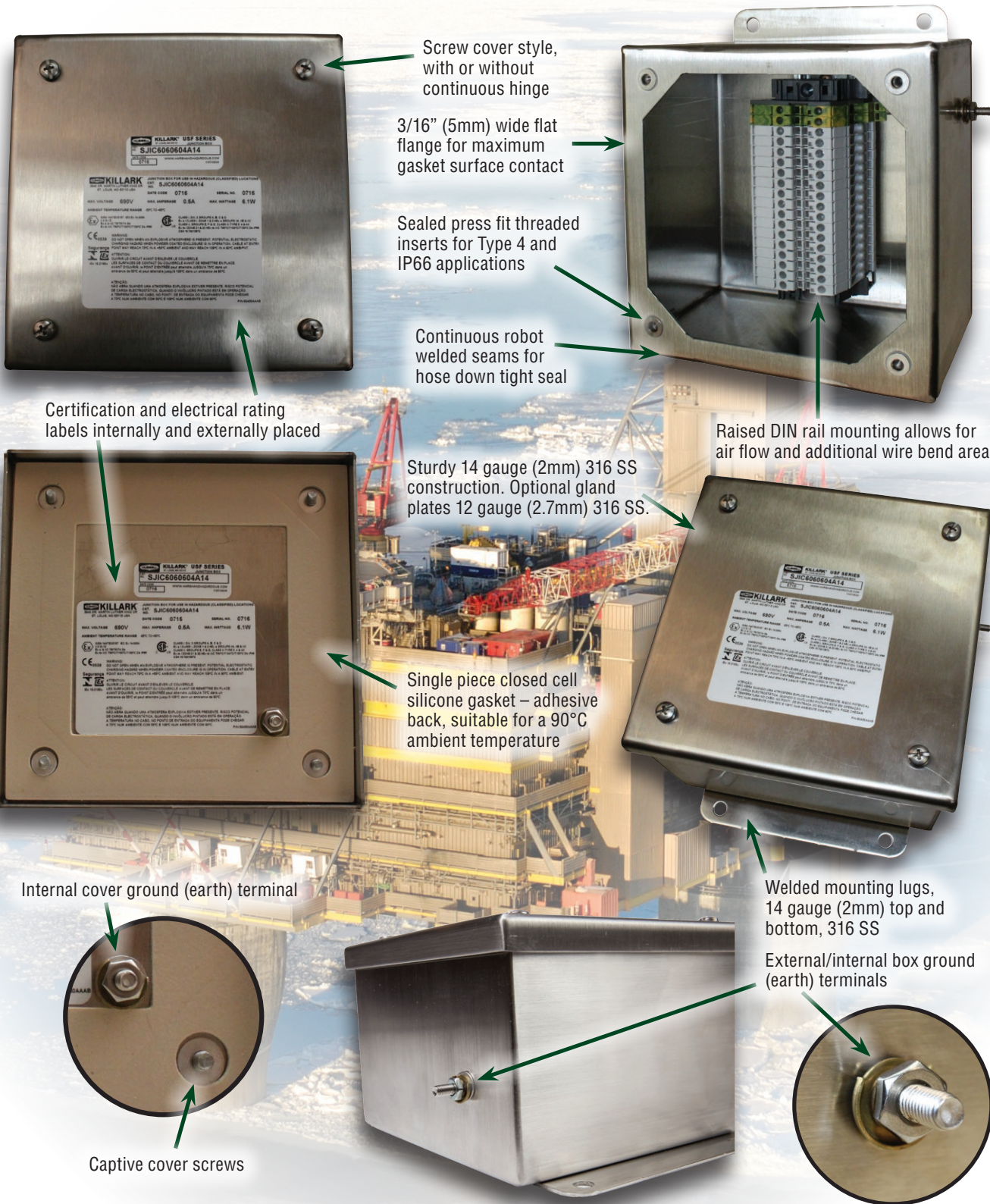
WDU 4N	27 AMPS 4MM ² 440VAC (12 AWG)								
USF1212**	29	58							
USF1612**	45	90							
USF1616**	45	90	135						
USF2016**	62	124	186						
USF2020**	62	124	186	248	310				
USF2416**	79	158	237						
USF2420**	79	158	237	316	395				
USF2424**	79	158	237	316	395	474	553		
USF3020**	98	196	294	392	490				
USF3024**	98	196	294	392	490	588	686		
USF3030**	98	196	294	392	490	588	686	784	882
USF3624**	127	254	381	508	635	762	1143		

WDK 2.5N	21 AMPS 2.5MM ² 550VAC (14 AWG) DOUBLE POLE FEED THROUGH								
USF1212**	33	66							
USF1612**	53	106							
USF1616**	53	106	159						
USF2016**	73	146	219						
USF2020**									



ENCLOSURES
SJIC SERIES

TERMINAL BOXES FOR HARSH & HAZARDOUS ENVIRONMENTS



Screw cover style, with or without continuous hinge

3/16" (5mm) wide flat flange for maximum gasket surface contact

Sealed press fit threaded inserts for Type 4 and IP66 applications

Continuous robot welded seams for hose down tight seal

Raised DIN rail mounting allows for air flow and additional wire bend area

Sturdy 14 gauge (2mm) 316 SS construction. Optional gland plates 12 gauge (2.7mm) 316 SS.

Single piece closed cell silicone gasket – adhesive back, suitable for a 90°C ambient temperature

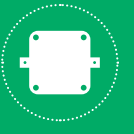
Welded mounting lugs, 14 gauge (2mm) top and bottom, 316 SS

External/internal box ground (earth) terminals

Certification and electrical rating labels internally and externally placed

Internal cover ground (earth) terminal

Captive cover screws



SJIC & SJICH TERMINAL BOXES • SCREW COVER & HINGED SCREW COVER

TECHNE-TERM[®]



SJIC Series



USF

Terminal Boxes

NEC / CEC Certifications

Class I, Div. 2 Groups A, B, C, & D
Ex eb / Class I Zone 1 AEx eb IIC Gb
Class II, Div. 1 & 2, Groups E, F, & G
Class III

**Ex tb Zone 21 AEx tb, IIIC T80°C/
T100°C/T130°C Db**

Type 3, 4, 4X IP66

Ta = -50°C to +40°C T6

Ta = -50°C to +55°C T5

Ta = -50°C to +90°C T4

Certificate 70013827



ATEX / IEC Ex Certificate



II 2 G D CE 2813

Ex eb IIC T6/T5/T4 Gb

Ex ib IIC T6/T5/T4 Gb

Ex tb IIIC T80°C/T100°C/T130°C
Db IP66

Ta = -50°C to +40°C

Ta = -50°C to +55°C

Ta = -50°C to +90°C

Service Temperature -55°C to +135°C



Sira 14ATEX3157

IECEX SIR 14.0055

IEEx 15.0155X

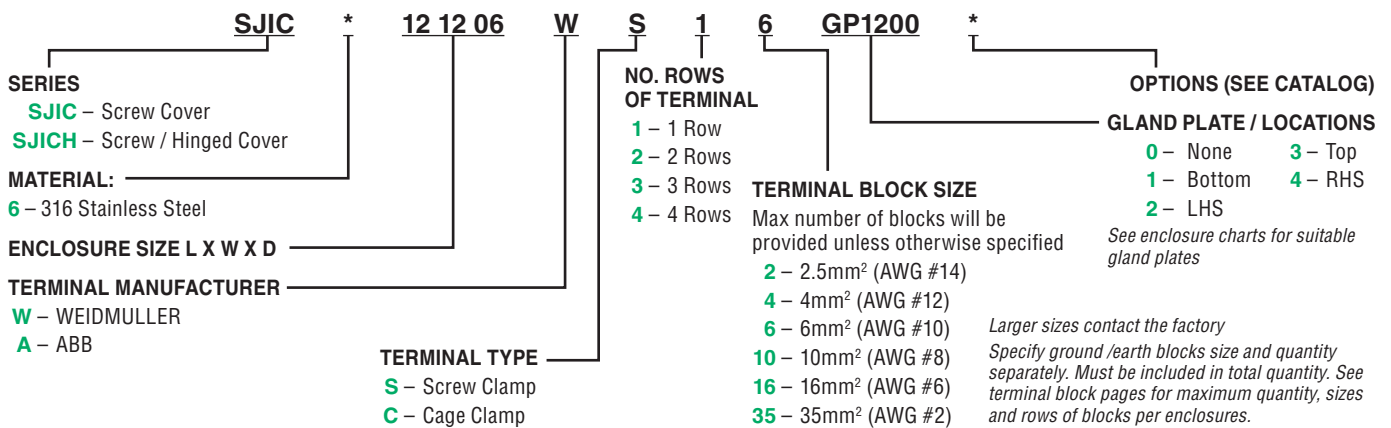
FEATURES-SPECIFICATIONS

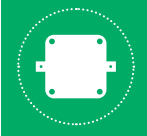
SJIC Enclosures Features – 15 Sizes
SJICH Enclosures Features – 11 Sizes

- Offered with ABB or Weidmuller terminal blocks in choice of screw terminal or cage (spring) clamp style with DIN rail mounted. Intrinsically safe terminals also available.
- Screw covers 316 stainless steel
- Continuous robot welded seams for a hose down tight seal
- SJIC doors are interchangeable and easily removable
- SJICH have continuous, one-piece hinge construction. Standard on left side.
- Ground/earthing studs in both cover and through wall of the box
- One-piece, high temperature, closed cell silicone gasket with superior recovery and re-sealing properties
- Sturdy 14 gauge box construction helps prevent bending or permanent deflection of the walls when field installing openings
- Welded, one-piece mounting flanges on top and bottom for strength
- Openings for glands or conduit factory or field installed – option for gland plates

Materials

- 316 stainless steel as standard
- Optional material 304 stainless steel, carbon steel or aluminum
- All external hardware 316 stainless steel
- Gasket – one-piece, high temperature closed cell silicone



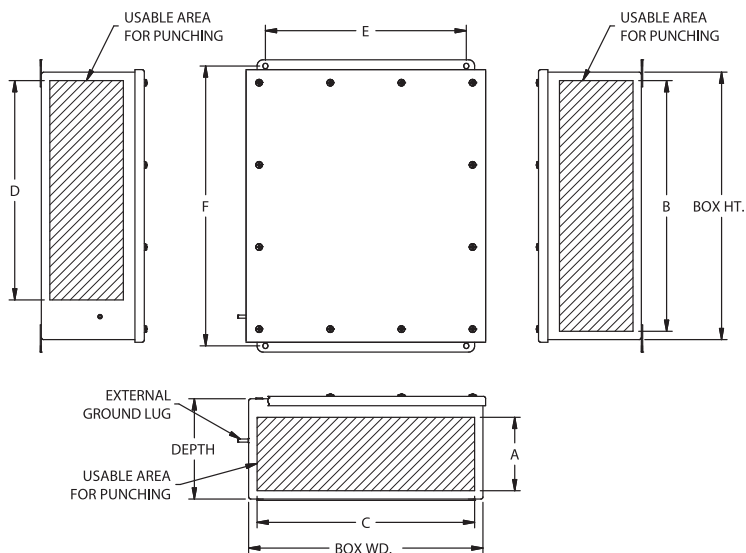


ENCLOSURES SJIC SERIES

SJIC TERMINAL BOXES

TECHNE-TERM[®]

SUFFIX NUMBER	DESCRIPTION
KIT-251	100 amp ground lug
KIT-252	225 amp ground lug
SU3-KDE	Class I Div. 2 Grps A, B, C & D, Type 4X, Ex e IIC Zone 1 IP66 Drain and breather installed.
SU10-KDE	Class I Div. 2 Grps A, B, C & D, Type 4X, Ex e IIC Zone 1 IP66 Drain only installed.
DC	Document Wallet (enclosures 10 x 10 and larger only)
SU9	Special paint finish
SU14	Fungus proofing of enclosures



See enclosure modification page for conduit / gland hole sizes and spacing.

CATALOG NUMBER	HEIGHT IN. (MM)	WIDTH	DEPTH	"E"	"F"	"A" BLANK WALL	"B" BLANK WALL	"C" BLANK WALL	"D" BLANK WALL
SJIC6040404	4 (102)	4 (102)	4 (102)	2.00 (51)	4.75 (121)	2.47(63)	3.13 (79)	3.13 (79)	1.19 (30)
SJIC6060404	6 (152)	4 (102)	4 (102)	2.00 (51)	6.75 (171)	2.47(63)	5.13 (130)	3.13 (79)	3.19 (81)
SJIC6060604	6 (152)	6 (152)	4 (102)	4.00 (102)	6.75 (171)	2.47(63)	5.13 (130)	5.13 (130)	3.19 (81)
SJIC6060606	6 (152)	6 (152)	6 (152)	4.00 (102)	6.75 (171)	4.47 (114)	5.13 (130)	5.13 (130)	3.19 (81)
SJIC6080606*	8 (203)	6 (152)	6 (152)	4.00 (102)	8.75 (222)	4.47 (114)	7.13 (181)	7.13 (181)	5.19 (132)
SJIC6080804	8 (203)	8 (203)	4 (102)	6.00 (152)	8.75 (222)	2.47(63)	7.13 (181)	7.13 (181)	5.19 (132)
SJIC6080806*	8 (203)	8 (203)	6 (152)	6.00 (152)	8.75 (222)	4.47 (114)	7.13 (181)	7.13 (181)	5.19 (132)
SJIC6100804	10 (254)	8 (203)	4 (102)	6.00 (152)	10.75 (273)	2.47(63)	9.13 (232)	7.13 (181)	7.19 (183)
SJIC6100806*	10 (254)	8 (203)	6 (152)	6.00 (152)	10.75 (273)	4.47 (114)	9.13 (232)	7.13 (181)	7.19 (183)
SJIC6101006*	10 (254)	10 (254)	6 (152)	8.00 (203)	10.75 (273)	4.47 (114)	9.13 (232)	9.13 (232)	7.19 (183)
SJIC6121005*	12 (305)	10 (254)	5 (127)	8.00 (203)	12.75 (324)	3.47 (88)	11.13 (283)	9.13 (232)	9.19 (233)
SJIC6121006*	12 (305)	10 (254)	6 (152)	8.00 (203)	12.75 (324)	4.47 (114)	11.13 (283)	9.13 (232)	9.19 (233)
SJIC6121206*	12 (305)	12 (305)	6 (152)	10.00 (254)	12.75 (324)	4.47 (114)	11.13 (283)	11.13 (283)	9.19 (233)
SJIC6141206*	14 (356)	12 (305)	6 (152)	10.00 (254)	14.75 (375)	4.47 (114)	13.13 (334)	11.13 (283)	11.19 (284)
SJIC6161406*	16 (406)	14 (356)	6 (152)	12 (305)	16.75 (425)	4.47 (114)	15.13 (384)	13.13 (334)	13.19 (335)

All dimension in. (mm)

*Enclosure can be supplied with gland plates

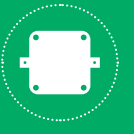
CATALOG NUMBER	(W) MAX. POWER	WEIGHT LBS / (KG)
SJIC6040404	4.1	2.83 (1.3)
SJIC6060404	5.2	3.6 (1.6)
SJIC6060604	6.1	4.9 (2.2)
SJIC6060606	8.4	5.9 (2.7)
SJIC(H)6080606	10.5	7.5 (3.4)
SJIC(H)6080804	8.4	7.9 (3.6)
SJIC(H)6080806	11.4	8.33 (3.8)
SJIC(H)6100804	8.4	9.5 (4.4)
SJIC(H)6100806	12.2	10 (4.5)
SJIC(H)6101006	13	11 (5)
SJIC(H)6121005	8.4	12 (5.4)
SJIC(H)6121006	14	13 (5.9)
SJIC(H)6121206	15	15 (6.8)
SJIC(H)6141206	16	16 (7.3)
SJIC(H)6161406	18	20 (9)

SJIC & SJICH TERMINAL BOXES

Instock Terminal Boxes

- Populated with ABB ZS4, 32 Amps 4mm² 690VAC (12 AWG 600VAC) terminal blocks.
- Supplied with two ZS 4-PE ground / earth blocks per rail.
- Blank enclosures for field modifications for gland or conduit openings.
- Material – 316 stainless steel

CATALOG NUMBER	TOTAL QTY OF TERMINALS	NO. OF RAILS
SJIC6040404A14	6	1
SJIC6060604A14	16	1
SJIC6100806A14	30	1
SJIC6101006A24	60	2
SJIC6121206A24	80	2

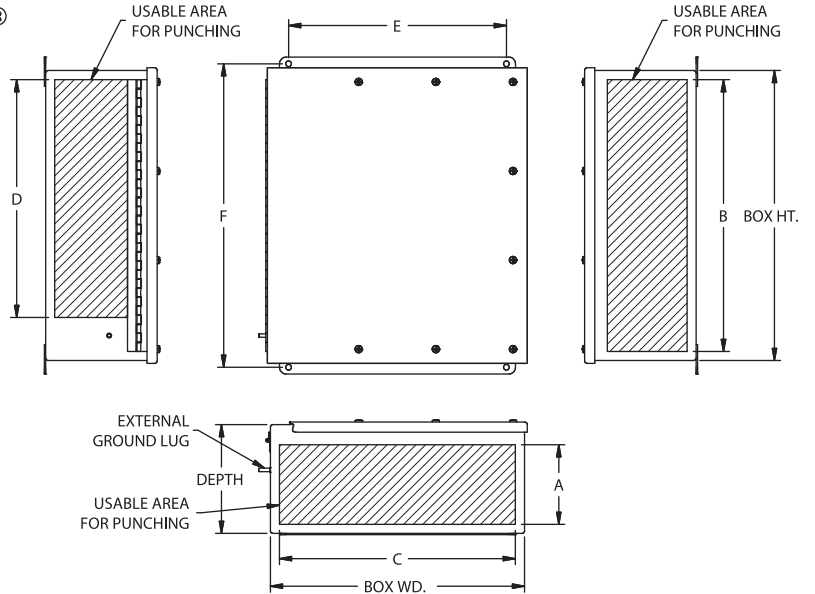


SJICH TERMINAL BOXES



SUFFIX NUMBER	DESCRIPTION
KIT-251	100 amp ground lug
KIT-252	225 amp ground lug
SU3-KDE	Class I Div. 2 Grps A, B, C & D, Type 4X. Ex e IIC Zone 1 IP66 Drain and breather installed.
SU10-KDE	Class I Div. 2 Grps A, B, C & D, Type 4X. Ex e IIC Zone 1 IP66 Drain only installed.
DC	Document Wallet (enclosures 10 x 10 and larger only)
SU9	Special paint finish
SU14	Fungus proofing of enclosures

See enclosure modification page for conduit / gland hole sizes and spacing.



CATALOG NUMBER	HEIGHT IN. (MM)	WIDTH	DEPTH	"E"	"F"	"A" BLANK WALL	"B" BLANK WALL	"C" BLANK WALL	"D" BLANK WALL	"E" BLANK WALL
SJICH6080606*	8 (203)	6 (152)	6 (152)	4.00 (102)	8.75 (222)	4.47 (114)	7.13 (181)	7.13 (181)	5.19 (132)	3.81 (97)
SJICH6080804	8 (203)	8 (203)	4 (102)	6.00 (152)	8.75 (222)	2.47(63)	7.13 (181)	7.13 (181)	5.19 (132)	1.81 (46)
SJICH6080806*	8 (203)	8 (203)	6 (152)	6.00 (152)	8.75 (222)	4.47 (114)	7.13 (181)	7.13 (181)	5.19 (132)	3.81 (97)
SJICH6100804	10 (254)	8 (203)	4 (102)	6.00 (152)	10.75 (273)	2.47(63)	9.13 (232)	7.13 (181)	7.19 (183)	1.81 (46)
SJICH6100806*	10 (254)	8 (203)	6 (152)	6.00 (152)	10.75 (273)	4.47 (114)	9.13 (232)	7.13 (181)	7.19 (183)	3.81 (97)
SJICH6101006*	10 (254)	10 (254)	6 (152)	8.00 (203)	10.75 (273)	4.47 (114)	9.13 (232)	9.13 (232)	7.19 (183)	3.81 (97)
SJICH6121005*	12 (305)	10 (254)	5 (127)	8.00 (203)	12.75 (324)	3.47 (88)	11.13 (283)	9.13 (232)	9.19 (233)	2.81 (71)
SJICH6121006*	12 (305)	10 (254)	6 (152)	8.00 (203)	12.75 (324)	4.47 (114)	11.13 (283)	9.13 (232)	9.19 (233)	3.81 (97)
SJICH6121206*	12 (305)	12 (305)	6 (152)	10.00 (254)	12.75 (324)	4.47 (114)	11.13 (283)	11.13 (283)	9.19 (233)	3.81 (97)
SJICH6141206*	14 (356)	12 (305)	6 (152)	10.00 (254)	14.75 (375)	4.47 (114)	13.13 (334)	11.13 (283)	11.19 (284)	3.81 (97)
SJICH6161406*	16 (406)	14 (356)	6 (152)	12 (305)	16.75 (425)	4.47 (114)	15.13 (384)	13.13 (334)	13.19 (335)	3.81 (97)

*Enclosure can be supplied with gland plates
All dimension in. (mm)

Standard terminal offering

- ABB ZS Screw Clamp
- ABB ZK Cage (Spring) Clamp
- Weidmuller WD Screw Clamp
- Weidmuller ZD Cage (Spring) Clamp

Terminals are mounted on TS-35 DIN rail. The rails are mounted to raised collared studs or unistrut rails which adds additional air flow and wire room.

Additional ABB and Weidmuller terminal blocks available. Contact the factory for more information.

See terminal block page for maximum number of terminals and rows per enclosure

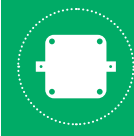
Specify ground / earth blocks size and quantity separately. Must be included in total quantity.

The SJIC(H) terminal boxes are suitable for use with Wago, Phoenix and Klemsan Elektrik terminals

Options

- Panel ID tag 316 stainless steel
- Copper ground / earth bars

SJIC / SJICH MAXIMUM CONDUIT / GLAND OPENINGS					
W/O GLAND PLATE			W/ GLAND PLATE		
BOX DEPTH	MAX NPT	MAX METRIC	BOX DEPTH	MAX NPT	MAX METRIC
4	1"	M32	4	1/2"	M20
5	1-1/2"	M50	5	1-1/4"	M40
6	3"	M80	6	2"	M63



ENCLOSURES

SJIC / SJICH SERIES

ABB TERMINALS

ABB ZS Series Screw Terminal

ZS 4	32 AMPS 4MM² 690VAC (12 AWG 600VAC)		
	1 ROW	2 ROWS	3 ROWS
SJIC604040*	8		
SJIC606040*	18		
SJIC606060*	18		
SJIC(H)608060*	28		
SJIC(H)608080*	28		
SJIC(H)610080*	32		
SJIC(H)610100*	32	64	
SJIC(H)612100*	42	84	
SJIC(H)612120*	42	84	
SJIC(H)614120*	51	102	
SJIC(H)616140*	61	122	183

ZS 6	41 AMPS 6MM² 690VAC (10 AWG 600VAC)		
	SJIC604040*	7	
SJIC606040*	15		
SJIC606060*	15		
SJIC(H)608060*	23		
SJIC(H)608080*	23		
SJIC(H)610080*	28		
SJIC(H)610100*	28	56	
SJIC(H)612100*	36	72	
SJIC(H)612120*	36	72	
SJIC(H)614120*	45	90	
SJIC(H)616140*	53	106	159

ZS 10	57 AMPS 10MM² 690VAC (6 AWG 600VAC)		
	SJIC604040*	0	
SJIC606040*	0		
SJIC606060*	11		
SJIC(H)608060*	18		
SJIC(H)608080*	18		
SJIC(H)610080*	21		
SJIC(H)610100*	21		
SJIC(H)612100*	27		
SJIC(H)612120*	27	54	
SJIC(H)614120*	33	66	
SJIC(H)616140*	40	80	

ZS 16	76 AMPS 16MM² 690VAC (4 AWG 600VAC)		
	SJIC604040*	0	
SJIC606040*	0		
SJIC606060*	0		
SJIC(H)608060*	0		
SJIC(H)608080*	14		
SJIC(H)610080*	16		
SJIC(H)610100*	16		
SJIC(H)612100*	22		
SJIC(H)612120*	22	44	
SJIC(H)614120*	27	54	
SJIC(H)616140*	32	64	

ZS 35	125 AMPS 35MM² 690VAC (1/0 AWG 600VAC)		
	SJIC604040*	0	
SJIC606040*	0		
SJIC606060*	0		
SJIC(H)608060*	0		
SJIC(H)608080*	0		
SJIC(H)610080*	10		
SJIC(H)612100*	13		
SJIC(H)612120*	13		
SJIC(H)614120*	16		
SJIC(H)616140*	20	40	

ZS 4-D1	29 AMPS 4MM² 440VAC (12 AWG)		
	SJIC604040*	7	
SJIC606040*	17		
SJIC606060*	17		
SJIC(H)608060*	27		
SJIC(H)608080*	27		
SJIC(H)610080*	32		
SJIC(H)610100*	32	64	
SJIC(H)612100*	41	82	
SJIC(H)612120*	41	82	
SJIC(H)614120*	51	102	
SJIC(H)616140*	61	122	183

ZS 4-D2	40 AMPS 6MM² 440VAC (10 AWG)		
	SJIC604040*	7	
SJIC606040*	17		
SJIC606060*	17		
SJIC(H)608060*	27		
SJIC(H)608080*	27		
SJIC(H)610080*	32		
SJIC(H)610100*	32	64	
SJIC(H)612100*	41	82	
SJIC(H)612120*	41	82	
SJIC(H)614120*	51	102	
SJIC(H)616140*	61	122	183

ZS 6-D1	29 AMPS 4MM² 440VAC (12 AWG)		
	SJIC604040*	6	
SJIC606040*	15		
SJIC606060*	15		
SJIC(H)608060*	23		
SJIC(H)608080*	23		
SJIC(H)610080*	27		
SJIC(H)610100*	27	54	
SJIC(H)612100*	36	72	
SJIC(H)612120*	36	72	
SJIC(H)614120*	44	88	
SJIC(H)616140*	53	106	159

ZS 6-D2	40 AMPS 6MM² 440VAC (10 AWG)		
	SJIC604040*	6	
SJIC606040*	15		
SJIC606060*	15		
SJIC(H)608060*	23		
SJIC(H)608080*	23		
SJIC(H)610080*	27		
SJIC(H)610100*	27	54	
SJIC(H)612100*	36	72	
SJIC(H)612120*	36	72	
SJIC(H)614120*	44	88	
SJIC(H)616140*	53	106	159

ABB ZK Series Cage Clamp Terminals

ZK 2.5	21 AMPS 2.5MM² 690VAC (14 AWG 600VAC)		
	1 ROW	2 ROWS	3 ROWS
SJIC604040*	10		
SJIC606040*	22		
SJIC606060*	19		
SJIC(H)608060*	29		
SJIC(H)608080*	29		
SJIC(H)610080*	34		
SJIC(H)610100*	34	68	
SJIC(H)612100*	43	86	
SJIC(H)612120*	43	86	129
SJIC(H)614120*	53	106	159
SJIC(H)616140*	63	126	189

ZK 4	29 AMPS 4MM² 690VAC (12 AWG 600VAC)		
	SJIC604040*	8	
SJIC606040*	16		
SJIC606060*	16		
SJIC(H)608060*	25		
SJIC(H)608080*	25		
SJIC(H)610080*	29		
SJIC(H)610100*	29	58	
SJIC(H)612100*	38	76	
SJIC(H)612120*	38	76	114
SJIC(H)614120*	46	92	138
SJIC(H)616140*	55	110	165

ZK 6	37 AMPS 6MM² 690VAC (10 AWG 600VAC)		
	SJIC604040*	6	
SJIC606040*	12		
SJIC606060*	12		
SJIC(H)608060*	19		
SJIC(H)608080*	19		
SJIC(H)610080*	22		
SJIC(H)610100*	22	44	
SJIC(H)612100*	28	56	
SJIC(H)612120*	28	56	
SJIC(H)614120*	35	70	
SJIC(H)616140*	41	82	

ZK 10	51 AMPS 10MM² 690VAC (6 AWG 600VAC)		
	SJIC604040*	10	
SJIC606040*	15		
SJIC606060*	10		
SJIC(H)608060*	15		
SJIC(H)608080*	15		
SJIC(H)610080*	17		
SJIC(H)610100*	17		
SJIC(H)612100*	22		
SJIC(H)612120*	22	44	
SJIC(H)614120*	27	54	
SJIC(H)616140*	32	64	

ZK 16	69 AMPS 16MM² 690VAC (4 AWG 600VAC)		
	SJIC604040*		
SJIC606040*			
SJIC606060*			
SJIC(H)608060*			
SJIC(H)608080*			
SJIC(H)610080*			
SJIC(H)610100*			
SJIC(H)612100*			
SJIC(H)612120*			
SJIC(H)614120*			
SJIC(H)616140*			

ZK 2.5-3P	21 AMPS 2.5MM² 690VAC (14 AWG 600VAC)		
	SJIC604040*	10	
SJIC606040*	19		
SJIC606060*	19		
SJIC(H)608060*	29		
SJIC(H)608080*	29		
SJIC(H)610080*	34		
SJIC(H)610100*	34	68	
SJIC(H)612100*	43	86	
SJIC(H)612120*	43	86	
SJIC(H)614120*	53	106	
SJIC(H)616140*	63	126	189

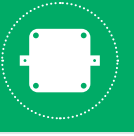
ZK 4-3P	29 AMPS 4MM² 690VAC (12 AWG 600VAC)		
	SJIC604040*		
SJIC606040*			
SJIC606060*			
SJIC(H)608060*			
SJIC(H)608080*			
SJIC(H)610080*			
SJIC(H)610100*			
SJIC(H)612100*			
SJIC(H)612120*			
SJIC(H)614120*			
SJIC(H)616140*			

ZK 6-3P	37 AMPS 4MM² 690VAC (10 AWG 600VAC)		
	SJIC604040*		
SJIC606040*			
SJIC606060*			
SJIC(H)608060*			
SJIC(H)608080*			
SJIC(H)610080*			
SJIC(H)610100*			
SJIC(H)612100*			
SJIC(H)612120*			
SJIC(H)614120*			
SJIC(H)616140*			

ABB ZK Series Cage Clamp Terminals

ZK 2.5-4P	21 AMPS 2.5MM² 690VAC (14 AWG 600VAC)		
	1 ROW	2 ROWS	3 ROWS
SJIC604040*			
SJIC606040*			
SJIC606060*	19		
SJIC(H)608060*	29		
SJIC(H)608080*	29		
SJIC(H)610080*	34		
SJIC(H)610100*	34		
SJIC(H)612100*	43	86	
SJIC(H)612120*	43	86	
SJIC(H)614120*	53	106	
SJIC(H)616140*	63	126	

ZK 4-4P	29 AMPS 4MM² 690VAC (12 AWG 600VAC)		
	SJIC604040*		
SJIC606040*			
SJIC606060*	16		
SJIC(H)608060*	25		
SJIC(H)608080*	25		
SJIC(H)610080*	29		
SJIC(H)610080*	29		
SJIC(H)610100*	29		
SJIC(H)612100*	38		
SJIC(H)612120*	38	76	
SJIC(H)614120*	46	92	
SJIC(H)616140*	55	110	



WEIDMULLER TERMINALS

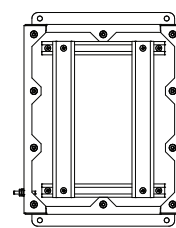
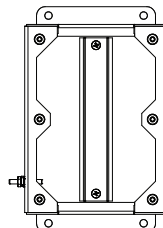
Weidmuller WD Series Screw Terminals

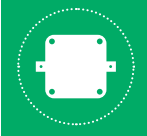
WDU 2.5	15 AMPS 2.5MM ² 550VAC (14 AWG)		
	1 ROW	2 ROWS	3 ROWS
SJIC604040*	9		
SJIC606040*	19		
SJIC606060*	19		
SJIC(H)608060*	29		
SJIC(H)608080*	29		
SJIC(H)610080*	34		
SJIC(H)610100*	34	68	
SJIC(H)612100*	44	88	
SJIC(H)612120*	44	88	
SJIC(H)614120*	54	108	
SJIC(H)616140*	64	128	192
WDU 4	28 AMPS 4MM ² 690VAC (12 AWG 600VAC)		
	SJIC604040*	8	
SJIC606040*	16		
SJIC606060*	16		
SJIC(H)608060*	24		
SJIC(H)608080*	24		
SJIC(H)610080*	28		
SJIC(H)610100*	28	56	
SJIC(H)612100*	37	74	
SJIC(H)612120*	37	74	
SJIC(H)614120*	45	90	
SJIC(H)616140*	53	106	159
WDU 6	36 AMPS 6MM ² 550VAC (10 AWG)		
	SJIC604040*	6	
SJIC606040*	12		
SJIC606060*	12		
SJIC(H)608060*	18		
SJIC(H)608080*	18		
SJIC(H)610080*	22		
SJIC(H)610100*	22	44	
SJIC(H)612100*	28	56	
SJIC(H)612120*	28	56	
SJIC(H)614120*	35	70	
SJIC(H)616140*	41	82	123
WDU 10	50 AMPS 10MM ² 550VAC (8 AWG)		
	SJIC604040*	0	
SJIC606040*	0		
SJIC606060*	9		
SJIC(H)608060*	14		
SJIC(H)608080*	14		
SJIC(H)610080*	17		
SJIC(H)610100*	17		
SJIC(H)612100*	22		
SJIC(H)612120*	22	44	
SJIC(H)614120*	27	54	
SJIC(H)616140*	32	64	
WDU 16	66 AMPS 16MM ² 690VAC (6 AWG 600VAC)		
	SJIC604040*	0	
SJIC606040*	0		
SJIC606060*	7		
SJIC(H)608060*	11		
SJIC(H)608080*	11		
SJIC(H)610080*	13		
SJIC(H)610100*	13		
SJIC(H)612100*	17		
SJIC(H)612120*	17	34	
SJIC(H)614120*	21	42	
SJIC(H)616140*	25	50	
WDU 35	109 AMPS 35MM ² 690VAC (2 AWG 600VAC)		
	SJIC604040*	0	
SJIC606040*	0		
SJIC606060*	0		
SJIC(H)608060*	0		
SJIC(H)608080*	8		
SJIC(H)610080*	10		
SJIC(H)610100*	10		
SJIC(H)612100*	13		
SJIC(H)612120*	13		
SJIC(H)614120*	16		
SJIC(H)616140*	19	38	

WDU 2.5N	15 AMPS 2.5MM ² 440VAC (14 AWG)			
	1 ROW	2 ROWS	3 ROWS	4 ROWS
SJIC604040*	9			
SJIC606040*	19			
SJIC606060*	19			
SJIC(H)608060*	29			
SJIC(H)608080*	29			
SJIC(H)610080*	34			
SJIC(H)610100*	34	68		
SJIC(H)612100*	44	88		
SJIC(H)612120*	44	88	132	
SJIC(H)614120*	54	108	162	
SJIC(H)616140*	64	128	192	256
WDU 4N	27 AMPS 4MM ² 440VAC (12 AWG)			
	SJIC604040*	8		
SJIC606040*	16			
SJIC606060*	16			
SJIC(H)608060*	24			
SJIC(H)608080*	24			
SJIC(H)610080*	28			
SJIC(H)610100*	28	56		
SJIC(H)612100*	37	74		
SJIC(H)612120*	37	74	111	
SJIC(H)614120*	45	90	135	
SJIC(H)616140*	53	106	159	212
WDK 2.5N	21 AMPS 2.5MM ² 550VAC (14 AWG) DOUBLE POLE FEED THROUGH			
	SJIC604040*	7		
SJIC606040*	17			
SJIC606060*	17			
SJIC(H)608060*	27			
SJIC(H)608080*	27			
SJIC(H)610080*	32			
SJIC(H)610100*	32	64		
SJIC(H)612100*	42	84		
SJIC(H)612120*	42	84		
SJIC(H)614120*	52	104		
SJIC(H)616140*	62	124	186	
WDK 4N	28 AMPS 4MM ² 550VAC (12 AWG) DOUBLE POLE FEED THROUGH			
	SJIC604040*	6		
SJIC606040*	14			
SJIC606060*	14			
SJIC(H)608060*	22			
SJIC(H)608080*	22			
SJIC(H)610080*	26			
SJIC(H)610100*	26	52		
SJIC(H)612100*	35	70		
SJIC(H)612120*	35	70		
SJIC(H)614120*	43	86		
SJIC(H)616140*	51	102	153	
WDK 2.5N V	21 AMPS 2.5MM ² 550VAC (14 AWG) FOUR POLES FEED THROUGH			
	SJIC604040*	7		
SJIC606040*	17			
SJIC606060*	17			
SJIC(H)608060*	27			
SJIC(H)608080*	27			
SJIC(H)610080*	32			
SJIC(H)610100*	32	64		
SJIC(H)612100*	42	84		
SJIC(H)612120*	42	84		
SJIC(H)614120*	52	104		
SJIC(H)616140*	62	124	186	
WDK 4N V	28 AMPS 4MM ² 550VAC (12 AWG) FOUR POLES FEED THROUGH			
	SJIC604040*	6		
SJIC606040*	14			
SJIC606060*	14			
SJIC(H)608060*	22			
SJIC(H)608080*	22			
SJIC(H)610080*	26			
SJIC(H)610100*	26	52		
SJIC(H)612100*	35	70		
SJIC(H)612120*	35	70		
SJIC(H)614120*	43	86		
SJIC(H)616140*	51	102	153	

Weidmuller ZD Series Cage Clamp Terminals

ZDU 2.5	21 AMPS 2.5MM ² 550VAC (14 AWG)		
	1 ROW	2 ROWS	3 ROWS
SJIC604040*	9		
SJIC606040*	19		
SJIC606060*	19		
SJIC(H)608060*	29		
SJIC(H)608080*	29		
SJIC(H)610080*	34		
SJIC(H)610100*	34	68	
SJIC(H)612100*	44	88	
SJIC(H)612120*	44	88	
SJIC(H)614120*	54	108	
SJIC(H)616140*	64	128	201
ZDU 4	28 AMPS 4MM ² 550VAC (12 AWG)		
	SJIC604040*	8	
SJIC606040*	16		
SJIC606060*	16		
SJIC(H)608060*	24		
SJIC(H)608080*	24		
SJIC(H)610080*	28		
SJIC(H)610100*	28	56	
SJIC(H)612100*	37	74	
SJIC(H)612120*	37	74	
SJIC(H)614120*	45	90	
SJIC(H)616140*	53	106	201
ZDU 6	36 AMPS 6MM ² 550VAC (10 AWG)		
	SJIC604040*	6	
SJIC606040*	12		
SJIC606060*	12		
SJIC(H)608060*	18		
SJIC(H)608080*	18		
SJIC(H)610080*	21		
SJIC(H)610100*	21	42	
SJIC(H)612100*	27	54	
SJIC(H)612120*	27	54	
SJIC(H)614120*	34	68	
SJIC(H)616140*	40	80	201
ZDU 10	50 AMPS 10MM ² 550VAC (8 AWG)		
	SJIC604040*		
SJIC606040*			
SJIC606060*	9		
SJIC(H)608060*	14		
SJIC(H)608080*	14		
SJIC(H)610080*	17		
SJIC(H)610100*	17		
SJIC(H)612100*	22		
SJIC(H)612120*	22	44	
SJIC(H)614120*	27	54	
SJIC(H)616140*	32	64	
ZDU 16	66 AMPS 16MM ² 690VAC (6 AWG 600VAC)		
	SJIC604040*		
SJIC606040*			
SJIC606060*			
SJIC(H)608060*			
SJIC(H)608080*	12		
SJIC(H)610080*	14		
SJIC(H)610100*	14		
SJIC(H)612100*	18		
SJIC(H)612120*	18	36	
SJIC(H)614120*	22	44	
SJIC(H)616140*	26	52	
ZDU 35	109 AMPS 35MM ² 690VAC (2 AWG 600VAC)		
	SJIC604040*		
SJIC606040*			
SJIC606060*			
SJIC(H)608060*			
SJIC(H)608080*			
SJIC(H)610080*			
SJIC(H)610100*			
SJIC(H)612100*	11		
SJIC(H)612120*	14		
SJIC(H)614120*	17		
SJIC(H)616140*	20		





ENCLOSURES

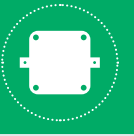
USF / SJIC / SJICH SERIES

IEC EX E RATINGS

ABB TERM BLOCK	TERMINAL RESISTIVE OHMS	MAX AMPS	MAX VAC	MAX WIRE SIZE		WIRE STRIP LENGTH IN. (MM)	TORQUE VALUES		AMBIENT TEMPERATURE		
				MAX WIRE - METRIC			MAX WIRE - USA			NM	LB.IN
				MM ²	RESISTIVE OHMS/M		AWG	RESISTIVE OHMS/M			
ZS4	0.00098	32	690	4	0.00461	12	0.005210	0.413 (10.5)	0.6	5.3	-55°C to +105°C
ZS6	0.00077	41	690	6	0.00308	10	0.003277	0.413 (10.5)	0.85	7.5	
ZS10	0.0018	57	690	10	0.00183	6	0.001296	0.472 (12.0)	1.3	11.5	
ZS16	0.0024	76	690	16	0.00115	4	0.000813	0.531 (13.5)	1.8	15.9	
ZS35	0.004	125	690	35	0.000524	1/0	0.000323	0.669 (17.0)	2.9	25.7	
ZS4-D1	0.00226	29	440	4	0.00461	12	0.005210	0.394 (10.0)	0.6	5.3	
ZS6-D1	0.00226	40	440	6	0.00308	10	0.003277	0.394 (10.0)	0.85	7.5	
ZS4-D2	0.0026	29	440	4	0.00461	12	0.005210	0.394 (10.0)	0.6	5.3	
ZS6-D2	0.0026	40	440	6	0.00308	10	0.003277	0.394 (10.0)	0.85	7.5	
ZK2.5	0.0008	21	630	2.5	0.00741	12	0.005210	0.433 (11.0)	N/A	N/A	
ZK4	0.001	29	630	4	0.00461	10	0.003277	0.492 (12.5)			
ZK6	0.0013	37	630	6	0.00308	8	0.002061	0.492 (12.5)			
ZK10	0.0018	51	630	10	0.00115	6	0.001296	0.591 (15.0)			
ZK16	0.0024	69	630	16	0.000524	4	0.000813	0.591 (15.0)			
ZK2.5-3P	0.0008	21	630	2.5	0.00741	12	0.005210	0.433 (11.0)			
ZK4-3P	0.001	29	630	4	0.00461	10	0.003277	0.492 (12.5)			
ZK6-3P	0.0013	37	630	6	0.00308	8	0.002061	0.492 (12.5)			
ZK2.5-4P	0.0008	21	630	2.5	0.00741	12	0.005210	0.433 (11.0)			
ZK4-4P	0.001	29	630	4	0.00461	10	0.003277	0.492 (12.5)			

WEIDMULLER TERM BLOCK	TERMINAL RESISTIVE OHMS	MAX AMPS	MAX VAC	MAX WIRE SIZE		WIRE STRIP LENGTH IN. (MM)	TORQUE VALUES		AMBIENT TEMPERATURE		
				MAX WIRE - METRIC			MAX WIRE - USA			NM	LB.IN
				MM ²	RESISTIVE OHMS/M		AWG	RESISTIVE OHMS/M			
WDU 2.5	0.00033	15	550	2.5	0.00741	14	0.008284	0.394 (10.0)	0.4 - 0.8	0.3 - 0.6	-50°C to +100°C
WDU 4	0.00031	28	690	4	0.00461	12	0.005210	0.394 (10.0)	0.5 - 1.0	0.4 - 0.7	
WDU 6	0.00028	36	550	6	0.00308	10	0.003277	0.472 (12.0)	0.8 - 1.6	0.6 - 1.2	
WDU 10	0.0002	50	550	10	0.00183	8	0.002061	0.472 (12.0)	1.2 - 2.4	0.9 - 1.8	
WDU 16	0.00015	66	690	16	0.00115	6	0.001296	0.630 (16.0)	2.0 - 4.0	1.5 - 3.0	
WDU 35	0.0001	109	690	35	0.000524	2	0.000513	0.708 (18.0)	4.0 - 5.0	3.0 - 3.7	
WDU 2.5N	0.00036	15	440	2.5	0.00741	14	0.008284	0.394 (10.0)	0.4 - 0.6	0.3 - 0.4	
WDU 4N	0.00033	27	440	4	0.00461	12	0.005210	0.433 (11.0)	0.5 - 1.0	0.4 - 0.7	
WDK 2.5N	0.00053	21	550	2.5	0.00741	14	0.008284	0.315 (8.0)	0.4 - 0.6	0.3 - 0.4	
WDK 4N	0.00033	28	550	4	0.00461	12	0.005210	0.315 (8.0)	0.5 - 1.0	0.4 - 0.7	
WDK 2.5NV	0.00076	21	550	2.5	0.00741	14	0.008284	0.315 (8.0)	0.4 - 0.6	0.3 - 0.4	
WDK 4NV	0.00045	28	550	4	0.00461	12	0.005210	0.315 (8.0)	0.5 - 1.0	0.4 - 0.7	
ZDU 2.5	0.00033	21	550	2.5	0.00741	14	0.008284	0.394 (10.0)	N/A	N/A	
ZDU 4	0.00031	28	550	4	0.00461	12	0.005210	0.472 (12.0)			
ZDU 6	0.00028	36	550	6	0.00308	10	0.003277	0.512 (13.0)			
ZDU 10	0.0002	50	550	10	0.00183	8	0.002061	0.708 (18.0)			
ZDU 16	0.00015	66	550	16	0.00115	6	0.001296	0.708 (18.0)			
ZDU 35	0.0001	109	550	35	0.000524	2	0.000513	0.980 (25.0)			

PHOENIX TERM BLOCK	TERMINAL RESISTIVE OHMS	MAX AMPS	MAX VAC	MAX WIRE SIZE		WIRE STRIP LENGTH IN. (MM)	TORQUE VALUES		AMBIENT TEMPERATURE		
				MAX WIRE - METRIC			MAX WIRE - USA			NM	LB.FT
				MM ²	RESISTIVE OHMS/M		AWG	RESISTIVE OHMS/M			
UT 2.5	0.00041	22	690	2.5	0.00741	12	0.005210	0.35 (9.00)	0.5 - 0.6	0.4	-60°C to +110°C
UT 4	0.00026	30	690	4	0.00461	10	0.003277	0.35 (9.00)	0.6 - 0.8	0.4 - 0.6	
UT 6	0.0002	40	690	6	0.00308	8	0.002061	0.39 (10.00)	1.5 - 1.8	1.1 - 1.3	
UT 10	0.00014	54	690	10	0.00183	6	0.001296	0.39 (10.00)	1.5 - 1.8	1.1 - 1.3	
UT 16	0.00016	73.5	690	16	0.00115	4	0.000813	0.55 (14.00)	2.5 - 3	1.8 - 2.2	
UT 35	0.00006	126	690	35	0.000524	1/0	0.000323	0.708 (18.00)	3.2 - 3.7	2.4 - 2.7	
UK 2.5N	0.00041	24	550	2.5	0.00741	14	0.008284	0.28 (7.00)	0.6 - 0.8	0.4 - 0.6	
UK 3N	0.0005	29	690	2.5	0.00461	12	0.005210	0.315 (8.0)	0.6 - 0.8	0.4 - 0.6	
UK 5N	0.00037	32	690	4	0.00308	10	0.003277	0.315 (8.0)	0.6 - 0.8	0.4 - 0.6	
UK 6N	0.00016	41	690	6	0.00183	8	0.002061	0.39 (10.00)	1.5 - 1.8	1.1 - 1.3	
UK 10N	0.00012	57	690	10	0.00115	6	0.001296	0.39 (10.00)	1.5 - 1.8	1.1 - 1.3	
UK 16N	0.00017	74	690	16	0.000524	4	0.000813	0.433 (11.0)	1.5 - 1.8	1.1 - 1.3	
ST 2.5	0.00141	21	550	2.5	0.00741	12	0.005210	0.39 (10.00)	N/A	N/A	
ST 4	0.00063	30	550	4	0.00461	10	0.003277	0.39 (10.00)			
ST 6	0.00056	36.5	550	6	0.00308	8	0.002061	0.472 (12.0)			
ST 10	0.0004	50	550	10	0.00183	6	0.001296	0.708 (18.00)			
ST 16	0.00034	65	550	16	0.00115	4	0.000813	0.708 (18.00)			
ST 35	0.00021	108	690	35	0.000524	2	0.000513	0.980 (25.0)			



USF / SJIC / SJICH ENCLOSURES



TABLE 1: Minimum distance from edge of box to the center of the conduit / cable entry.

NPT (METRIC)	4"	3-1/2"	3" (M75)	2-1/2" (M63)	2" (M50)	1-1/2" (M40)	1-1/4" (M32)	1" (M25)	3/4" (M20)	1/2" (M16)
IN. (MM)	2-3/4 (70)	2-1/2 (64)	2 (51)	2 (51)	1-5/8 (41)	1-3/8 (35)	1-1/4 (32)	1 (25)	7/8 (22)	3/4 (19)

TABLE 2 Minimum distance from edge of gland plate to the center of the conduit / cable entry.

NPT (METRIC)	4" (M100)	3-1/2" (M80)	3" (M75)	2-1/2" (M63)	2" (M50)	1-1/2" (M40)	1-1/4" (M32)	1" (M25)	3/4" (M20)	1/2" (M16)
IN. (MM)	3-1/4 (83)	3 (76)	2-3/4 (70)	2-1/2 (64)	2-1/8 (54)	1-7/8 (48)	1-3/4 (44)	1-1/2 (38)	1-3/8 (35)	1-1/4 (32)

TABLE 3: NEC / CEC minimum wire bending space from inside wall of the enclosure, North America applications only.

SIZE AWG (MM2)	16 (1.5)	14 (2.5)	12 (4)	10 (6)	8 (10)	6 (16)	4 (25)	2 (35)	1/0 (50)	2/0 (70)	3/0 (95)	4/0 (120)
IN. (MM)	1.5 (38)	1.5 (38)	1.5 (38)	1.5 (38)	1.5 (38)	2 (51)	3 (76)	3.5 (89)	5.5 (140)	6 (152)	6.5 (164)	7 (178)

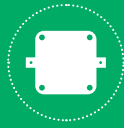
TABLE 4: Punched hole diameters. For additional sizes not shown please contact the factory.

NPT	4"	3-1/2"	3"	2-1/2"	2"	1-1/2"	1-1/4"	1"	3/4"	1/2"
MAX. HOLE DIA. IN. (MM)	4.53 (115.06)	4.03 (102.36)	3.53 (89.66)	2.905 (73.79)	2.405 (61.08)	1.93 (49.2)	1.69 (42.93)	1.345 (34.16)	1.08 (27.4)	.87 (22.09)
METRIC	M100	M80	M75	M63	M50	M40	M32	M25	M20	M16
MAX. HOLE DIA. MM (IN.)	100.7 (3.94)	80.7 (3.15)	75.7 (2.95)	63.7 (2.48)	50.7 (1.97)	40.7 (1.58)	32.7 (1.26)	25.7 (0.98)	20.7 (0.79)	16.7 (0.63)

TABLE 5: Minimum distance of the center line to center line of the conduit / cable entries.

(NPT) [METRIC]	4 [M100]	3 1/2 [M80]	3 [M75]	2 1/2 [M63]	2 [M50]	1 1/2 [M40]	1 1/4 [M32]	1 [M25]	3/4 [M20]	1/2 [M16]
1/2 [M16]	3 5/8 [92mm]	3 3/8 [86mm]	3 1/8 [80mm]	2 3/4 [70mm]	2 1/2 [64mm]	2 1/4 [58mm]	2 1/8 [54mm]	1 7/8 [48mm]	1 3/4 [45mm]	1 5/8 [41mm]
3/4 [M20]	3 3/4 [96mm]	3 1/2 [89mm]	3 1/4 [83mm]	2 7/8 [74mm]	2 5/8 [68mm]	2 3/8 [60mm]	2 1/4 [58mm]	2 [51mm]	1 7/8 [48mm]	
1 [M25]	3 7/8 [99mm]	3 5/8 [92mm]	3 3/8 [86mm]	3 [77mm]	2 3/4 [70mm]	2 1/2 [64mm]	2 3/8 [60mm]	2 1/8 [54mm]		
1 1/4 [M32]	4 1/8 [105mm]	3 7/8 [99mm]	3 1/2 [89mm]	3 1/4 [83mm]	3 [77mm]	2 3/4 [70mm]	2 1/2 [64mm]			
1 1/2 [M40]	4 1/4 [108mm]	4 [102mm]	3 3/4 [96mm]	3 3/8 [86mm]	3 1/8 [80mm]	2 7/8 [73mm]				
2 [M50]	4 3/4 [121mm]	4 1/2 [115mm]	4 [102mm]	3 5/8 [92mm]	3 3/8 [86mm]					
2 1/2 [M63]	4 7/8 [124mm]	4 5/8 [118mm]	4 1/4 [108mm]	3 7/8 [99mm]						
3 [M75]	5 1/4 [134mm]	5 [127mm]	4 5/8 [118mm]							
3 1/2 [M80]	5 3/4 [147mm]	5 1/2 [140mm]								
4 [M100]	6 1/4 [159mm]									

All dimension in. (mm)

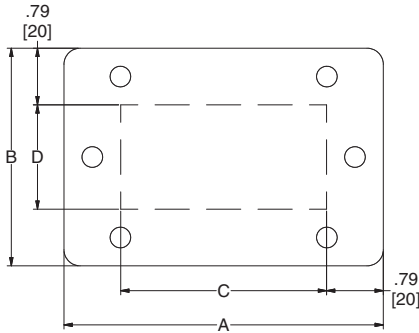


USF / SJIC(H) TERMINAL BOXES AND ENCLOSURES

Replacement Gland Plates

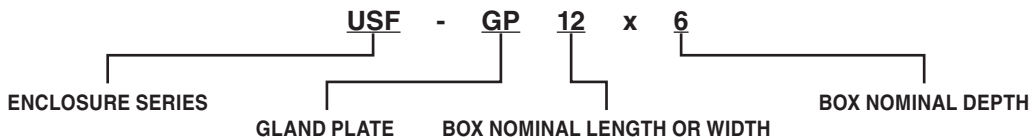
Gland plate kit comes with the following:

- Gland plate in 316 stainless steel
- Mounting screws and retaining washers
- One-piece, closed cell silicone gasket

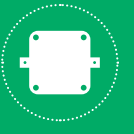


REPLACEMENT GLAND PLATES				
CATALOG NUMBER: 316 STAINLESS STEEL	"A" OVER ALL LENGTH	"B" OVER ALL WIDTH	"C" AREA FOR OPENINGS	"D" AREA FOR OPENINGS
USF-GP12X6	10.97 [279]	5.74 [146]	9.40 [239]	4.16 [106]
USF-GP12X8	10.97 [279]	7.74 [197]	9.40 [239]	6.16 [156]
USF-GP12X10	10.97 [279]	9.74 [247]	9.40 [239]	8.16 [207]
USF-GP16X6	14.97 [380]	5.74 [146]	13.40 [340]	4.16 [106]
USF-GP16X8	14.97 [380]	7.74 [197]	13.40 [340]	6.16 [156]
USF-GP16X10	14.97 [380]	9.74 [247]	13.40 [340]	8.16 [207]
USF-GP20X6	18.97 [482]	5.74 [146]	17.40 [442]	4.16 [106]
USF-GP20X8	18.97 [482]	7.74 [197]	17.40 [442]	6.16 [156]
USF-GP20X10	18.97 [482]	9.74 [247]	17.40 [442]	8.16 [207]
USF-GP20X12	18.97 [482]	11.74 [298]	17.40 [442]	10.16 [258]
USF-GP24X6	22.97 [583]	5.74 [146]	21.40 [544]	4.16 [106]
USF-GP24X8	22.97 [583]	7.74 [197]	21.40 [544]	6.16 [156]
USF-GP24X10	22.97 [583]	9.74 [247]	21.40 [544]	8.16 [207]
USF-GP24X12	22.97 [583]	11.74 [298]	21.40 [544]	10.16 [258]
USF-GP24X16	22.97 [583]	15.74 [400]	21.40 [544]	14.16 [360]
USF-GP24X20	22.97 [583]	19.74 [501]	21.40 [544]	18.16 [461]
USF-GP30X8	27.59 [701]	7.74 [197]	26.02 [661]	6.16 [156]
USF-GP30X10	27.59 [701]	9.74 [247]	26.02 [661]	8.16 [207]
USF-GP30X12	27.59 [701]	11.74 [298]	26.02 [661]	10.16 [258]
USF-GP30X16	27.59 [701]	15.74 [400]	26.02 [661]	14.16 [360]
USF-GP30X20	27.59 [701]	19.74 [501]	33.02 [839]	18.16 [461]
USF-GP36X8	34.59 [879]	7.74 [197]	33.02 [839]	6.16 [156]
USF-GP36X10	34.59 [879]	9.74 [247]	33.02 [839]	8.16 [207]
USF-GP36X12	34.59 [879]	11.74 [298]	33.02 [839]	10.16 [258]
SJIC6-GP0404	3.74 [95]	3.28 [83]	2.16 [55]	1.71 [43]
SJIC6-GP0604	5.74 [146]	3.28 [83]	4.16 [106]	1.71 [43]
SJIC6-GP0804	7.74 [197]	3.28 [83]	6.16 [156]	1.71 [43]
SJIC6-GP1004	9.74 [247]	3.28 [83]	8.16 [207]	1.71 [43]
SJIC6-GP1005	9.74 [247]	4.28 [109]	8.16 [207]	2.71 [69]
SJIC6-GP0606	5.74 [146]	5.28 [134]	4.16 [106]	3.71 [94]
SJIC6-GP0806	7.74 [197]	5.28 [134]	6.16 [156]	3.71 [94]
SJIC6-GP1006	9.74 [247]	5.28 [134]	8.16 [207]	3.71 [94]
SJIC6-GP1206	11.74 [298]	5.28 [134]	10.16 [258]	3.71 [94]
SJIC6-GP1406	13.74 [349]	5.28 [134]	12.16 [309]	3.71 [94]

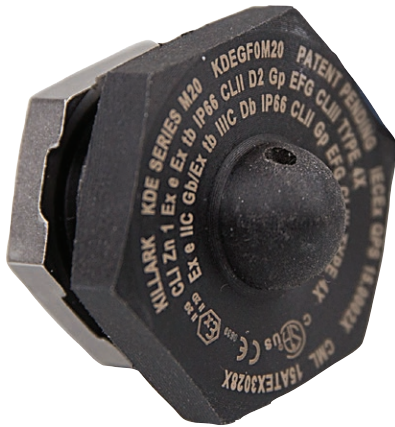
CATALOG LOGIC



Note: Gland plates not supplied with ground stud / earth connection. If one is required, contact the factory for price and special part number.



KDE DRAIN / BREATHER



KDE
Drain / Breather

NEC / CEC Certifications

Class I, Div. 2, Groups A, B, C, & D

Class I, Zone 1 AEx e IIC Gb

Class II, Div. 1, Groups E, F, & G

(Canada Only)

Class II, Div. 2, Groups E, F, & G

Class III

Ex e IIC Gb / Ex tb IIIC Db

Zone 21 AEx tb, IIIC Db

Type 3, 4, 4X IP66

Ta = -55°C to +80°C



Certificate LR11716 - 2714851

ATEX / IEC Ex Certifications



II 2 G D CE 2813

Ex e IIC Gb

Ex tb IIIC Db IP66

Service Temperature -55°C to +80°C

CML 15ATEX3028X



IECEx QPS 15.0002X

IEEx 15.0154X

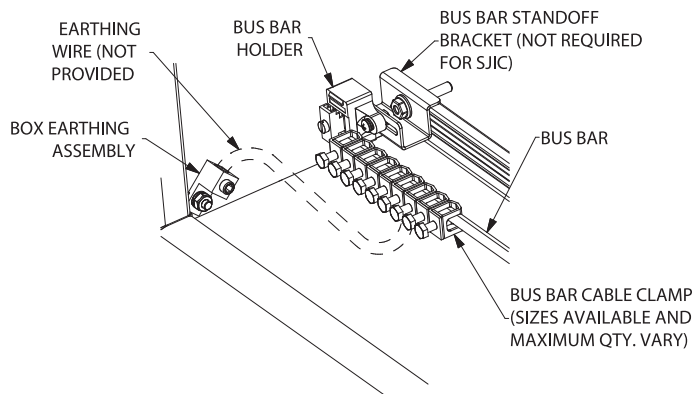
Available In

- KDEAL0050 – Alum ½” NPT
- KDEALOM20 – Alum M20
- KDE60050 – 316SS ½” NPT
- KDES60M20 – 316SS M20
- KDEGF0050 – Plastic ½” NPT
- KDEGF0M20 – Plastic M20

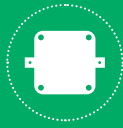
BUS BAR / GROUND BUS OPTION

Description:

- **BUS BAR** – Tin plated copper, 10mm wide x 3 mm thick, rated for 140 amperes
- **BUS CLAMPS** – ZB 4 wire range 0.5 - 6mm² (#20 to #10 AWG)
ZB 10 wire range 1.5 - 10mm² (#16 to #8 AGW)
- **KIT CONTAINS** – mounting hardware, mounting brackets, bus bar and bus clamps



CATALOG NUMBER	CLAMP SIZE	QTY	BOX SERIES / WIDTH
SJIC-GB10N4-26	ZB 4	26	SJIC 10"
SJIC-GB10N10-17	ZB 10	17	
SJIC-GB12N4-36	ZB 4	36	SJIC 12"
SJIC-GB12N10-23	ZB 10	23	
SJIC-GB14N4-45	ZB 4	45	SJIC 14"
SJIC-GB14N10-30	ZB 10	30	
USF-GB12N4-35	ZB 4	35	USF 12"
USF-GB12N10-22	ZB 10	22	
USF-GB16N4-54	ZB 4	54	USF 16"
USF-GB16N10-35	ZB 10	35	
USF-GB18N4-63	ZB 4	63	USF 18"
USF-GB18N10-41	ZB 10	41	
USF-GB20N4-73	ZB 4	73	USF 20"
USF-GB20N10-48	ZB 10	48	
USF-GB24N4-92	ZB 4	92	USF 24"
USF-GB24N10-61	ZB 10	61	
USF-GB30N4-114	ZB 4	114	USF 30"
USF-GB30N10-75	ZB 10	75	



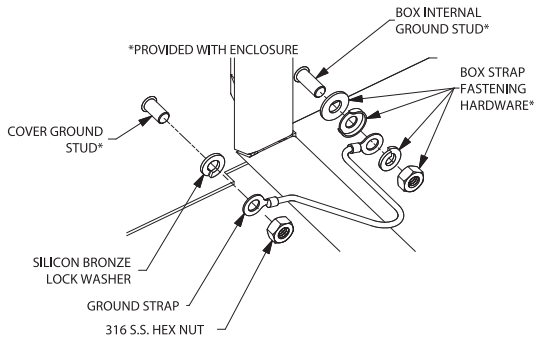
ENCLOSURES USF/SJIC(H) SERIES

ACCESSORIES

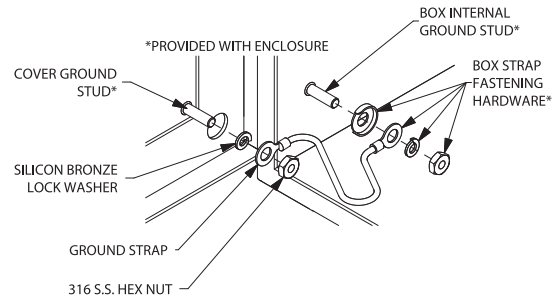
CATALOG NUMBER	DESCRIPTION
USF-DC	Document Door Wallet
USF-CVGRD	Cover Ground (earth) Kit
USF-BOXGRD	Box Ground (earth) Kit
USF-MTGFEET	Mounting Feet, Pack of 4
SJIC-CVGRD	Cover Ground (earth) Kit
SJIC-INTGRD	Box Ground (earth) Kit
SJIC-EXTGRD	External Ground (earth) Kit



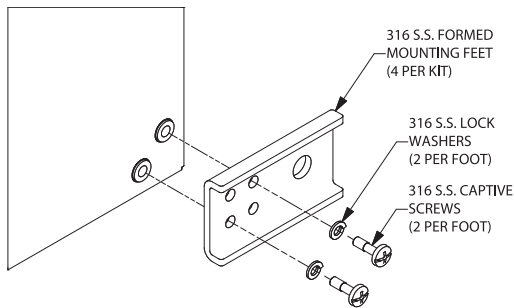
USF-DC



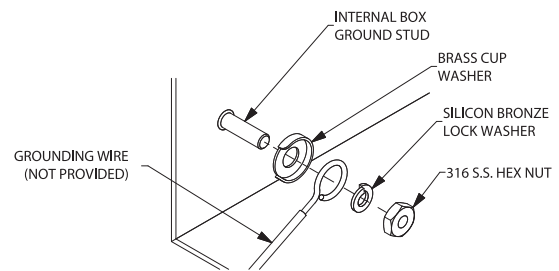
USF-CVGRD



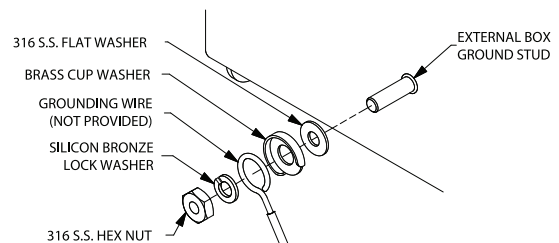
SJIC-CVGRD



USF-MTGFEET

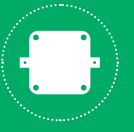


SJIC-INTGRD

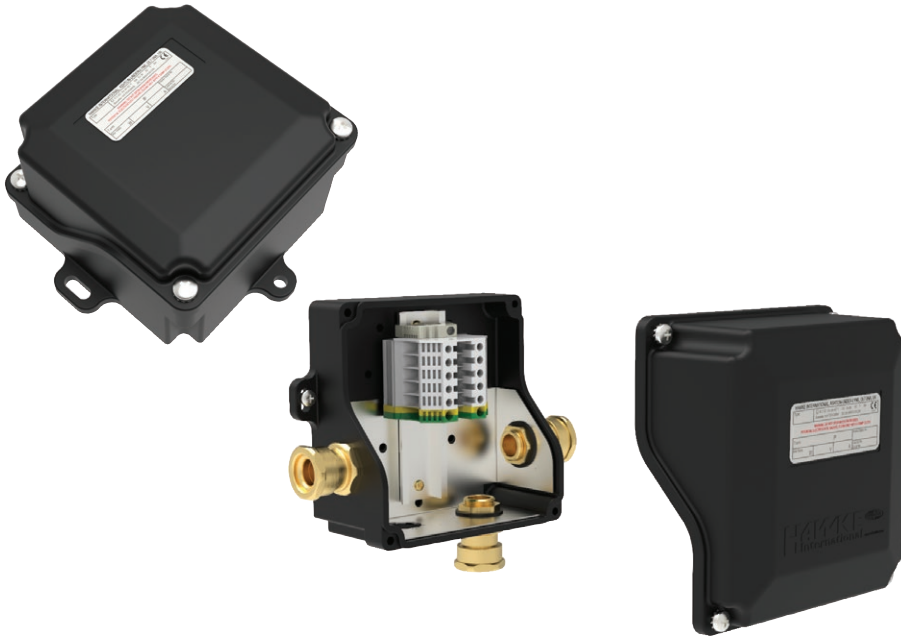


SJIC-EXTGRD

HAWKE ENCLOSURES - PL5 SERIES



NON-METALLIC JUNCTION/TERMINAL BOXES



PL5

Empty/Terminal Enclosure

NEC/CEC Certifications

Class I, Zone 1, AEx e IIC Gb
Zone 21, AEx tb IIIC T80°C Db
IP66/67

Ta= -60°C to +75°C

Certificate 70039997



ATEX/IEC Ex Certifications



II 2 GD

Ex eb IIC Gb

Ex tb IIIC Db IP66/67

Baseefa14ATEX0268X

Baseefa14ATEX0248U

IECEX BAS 14.0123X

IECEX BAS 14.0120U

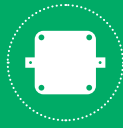
FEATURES-SPECIFICATIONS

Features

- Glass Reinforced Plastic (GRP) construction – lightweight, economical, corrosion resistant, and designed to withstand impact up to 7Nm.
- External mounting feet eliminate need to remove lid when mounting enclosure on wall
- Captive stainless steel cover screws – prevent loss of screws during assembly and maintenance
- Dropped lid design (PL511 and PL514 models) facilitates hand access to make wiring and inspections of terminations easier than that of traditional square, rectangular, or octagonal enclosures
- Earth continuity plate available in Zintec

Materials

- **BOX/LID:** Glass Reinforced Plastic (GRP)
- **SCREWS:** 316 stainless steel
- **EARTH CONTINUITY PLATE:** Zintec



ENCLOSURES

HAWKE ENCLOSURES - PL5 SERIES

NON-METALLIC JUNCTION/TERMINAL BOXES

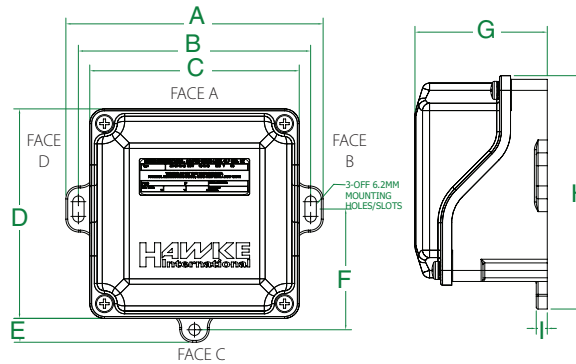
PL511/PL514 DIMENSIONS									
CATALOG NUMBER	A	B	C	D	E	F	G	H	I
PL511	5.51 (140)	4.98 (126.4)	4.49 (114)	4.49 (114)	0.51 (13)	2.59 (65.7)	2.83 (72)	5.00 (127)	0.24 (6)
PL514	6.69 (170)	6.16 (156.4)	5.68 (144.2)	5.69 (144.4)	0.51 (13)	3.57 (90.7)	3.66 (93)	6.18 (157)	0.28 (7)

All dimensions in. (mm)

MAXIMUM QUANTITY OF ENTRIES PER FACE									
CATALOG NUMBER	THREAD SIZE	M16	M20	M25	M32	M40	M50	M63	M74
PL511 *	Face B	—	1	—	—	—	—	—	—
	Face C	—	2	—	—	—	—	—	—
	Face D	—	1	—	—	—	—	—	—
PL514	Face B	2	2	1	—	—	—	—	—
	Face C	6	6	2	2	—	—	—	—
	Face D	2	2	1	—	—	—	—	—

CAUTION: Entry quantities are calculated based on standard gland diameters. Entry quantity may be affected if using accessories (locknuts, washers etc) with large diameters.

* PL511 comes standard with four M20 holes

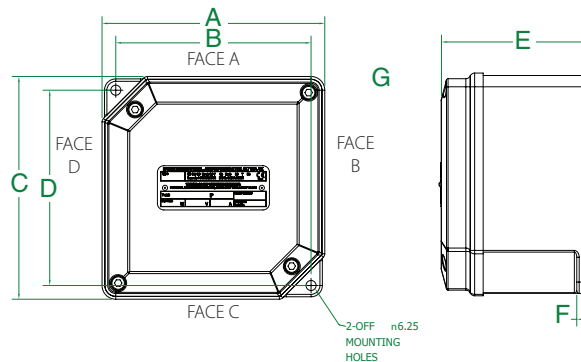


PL513/PL520 DIMENSIONS						
CATALOG NUMBER	A	B	C	D	E	F
PL513	5.43 (138)	4.76 (121)	5.43 (138)	4.76 (121)	3.75 (95)	0.43 (11)
PL520	7.87 (200)	7.32 (186)	5.31 (135)	4.76 (121)	3.75 (95)	0.43 (11)

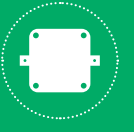
All dimensions in. (mm)

MAXIMUM QUANTITY OF ENTRIES PER FACE									
CATALOG NUMBER	THREAD SIZE	M16/ M20/O	M20/A	M25	M32	M40	M50	M63	M74
PL513	Face A/B/C/D	5	3	2	—	—	—	—	—
	Face A/C	9	5	3	—	—	—	—	—
PL520	Face B/D	5	3	2	—	—	—	—	—

CAUTION: Entry quantities are calculated based on standard gland diameters. Entry quantity may be affected if using accessories (locknuts, washers etc) with large diameters.



HAWKE ENCLOSURES - PL5 SERIES



NON-METALLIC JUNCTION/TERMINAL BOXES

PL 511 TERMINAL CAPACITY

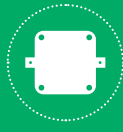
TERMINAL TYPE	CONDUCTOR SIZE (MM2)		MAX VOLTS	RAIL ORIENTATION	MAX. PHYSICAL TERMINAL CONTENT			REDUCED TERMINAL CONTENT AT MAX AMPS	
	MIN.	MAX.			TERMINAL QTY	RAIL QTY	AMPS	TERMINAL QTY	AMPS
WDU 2.5N	0.5	2.5	440	V	9	1	11	3	17
WDU 2.5	0.5	2.5	690	V	9		11	3	17
UT 2.5	0.14	3	690	V	9		11	6	15
WDU 4	0.5	4	690	V	8		15	3	22
UT 4	0.14	4	690	V	8		15	5	20
WDU 6	0.5	6	690	V	5		23	3	29
UT 6	0.2	6	690	V	6		21	4	28

Max terminals are split across the quantity of terminal rails

PL513 TERMINAL CAPACITY

TERMINAL TYPE	CONDUCTOR SIZE (MM2)		MAX VOLTS	RAIL ORIENTATION	MAX. PHYSICAL TERMINAL CONTENT			REDUCED TERMINAL CONTENT AT MAX AMPS	
	MIN.	MAX.			TERMINAL QTY	RAIL QTY	AMPS	TERMINAL QTY	AMPS
WDU 2.5N	0.5	2.5	440	V/H D	16 18	1	12 11	7	17
WDU 2.5	0.5	3	690	V/H D	16 18		12 11	7	17
UT 2.5	0.14	3	690	V/H D	16 17		12 11	10	15
WDU 4	0.5	4	690	V/H D	13 15		16 15	7	22
UT 4	0.14	4	690	V/H D	13 14		17 16	9	20
WDU 6	0.5	6	690	V/H D	10 11		23 22	6	29
UT 6	0.2	6	690	V/H D	9 11		24 22	6	28
WDU 10	1.5	10	690	V/H D	8 9		32 30	5	40
UT 10	0.5	10	690	V/H D	7 8		35 33	5	39

** Max terminals are split across the quantity of terminal rails*



ENCLOSURES

HAWKE ENCLOSURES - PL5 SERIES

NON-METALLIC JUNCTION/TERMINAL BOXES

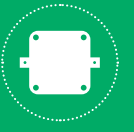
PL514 TERMINAL CAPACITY									
TERMINAL TYPE	CONDUCTOR SIZE (MM2)		MAX VOLTS	RAIL ORIENTATION	MAX. PHYSICAL TERMINAL CONTENT			REDUCED TERMINAL CONTENT AT MAX AMPS	
	MIN.	MAX.			TERMINAL QTY	RAIL QTY	AMPS	TERMINAL QTY	AMPS
WDU 2.5N	0.5	2.5	440	V	18	1	11	7	17
WDU 2.5	0.5	2.5	690	V	18		11	7	17
UT 2.5	0.1	2.5	690	V	17		11	10	15
WDU 4	0.5	4.0	690	V	14		15	7	22
UT 4	0.1	4.0	690	V	14		16	9	20
WDU 6	0.5	6.0	690	V	11		22	6	29
UT6	0.2	6.0	690	V	10		23	6	28
WDU 10	1.5	10.0	690	V	8		32	5	40
UT 10	0.5	10.0	690	V	8		33	5	39

* Max terminals are split across the quantity of terminal rails

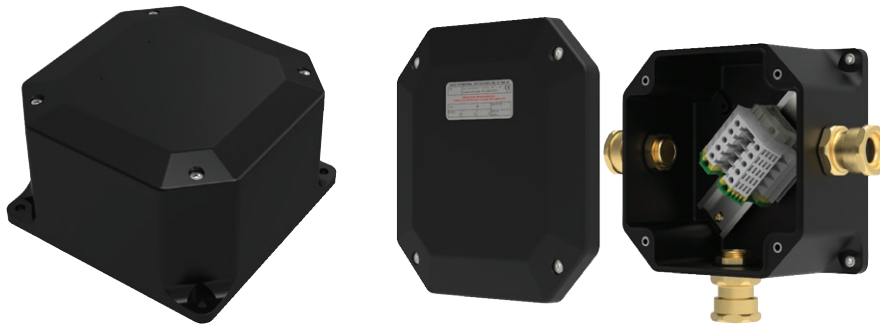
PL520 TERMINAL CAPACITY									
TERMINAL TYPE	CONDUCTOR SIZE (MM2)		MAX VOLTS	RAIL ORIENTATION	MAX. PHYSICAL TERMINAL CONTENT			REDUCED TERMINAL CONTENT AT MAX AMPS	
	MIN.	MAX.			TERMINAL QTY	RAIL QTY	AMPS	TERMINAL QTY	AMPS
WDU 2.5	0.5	2.5	690	V H	16 30	1	12 8	7	17
UT 2.5	0.14	3	690	V H	16 29		11 8	9	15
WDU 4	0.5	4	690	V H	13 25		16 11	7	22
UT 4	0.14	4	690	V H	13 24		16 12	8	20
WDU 6	0.5	6	690	V H	10 19		23 16	6	29
UT6	0.2	6	690	V H	9 18		24 17	6	28
WDU 10	1.5	10	690	V H	8 15		32 23	5	40
UT 10	0.5	10	690	V H	7 14		35 24	5	39

* Max terminals are split across the quantity of terminal rails

HAWKE ENCLOSURES - PL6 SERIES



NON-METALLIC JUNCTION BOXES



PL6

Empty/Terminal Enclosure

NEC/CEC Certifications

Class I, Zone 1, AEx e IIC Gb
Zone 21, AEx tb IIIC T80°C Db
IP66/67

Ta= -60°C to +75°C

Certificate 70039997



ATEX/IEC Ex Certifications

II 2 GD

Ex eb IIC Gb

Ex tb IIIC Db IP66/67

Baseefa14ATEX0268X

Baseefa14ATEX0248U

IECEX BAS 14.0123X

IECEX BAS 14.0120U

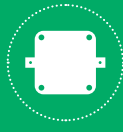
FEATURES-SPECIFICATIONS

Features

- Glass Reinforced Plastic (GRP) construction – robust, corrosion resistant, and designed to withstand impact up to 20Nm.
- Anti-Static properties remove risk of ignition sources from static induced sparking
- External mounting feet eliminate need to remove lid when mounting enclosure on wall
- Captive stainless steel cover screws – prevent loss of screws during assembly and maintenance
- Earth continuity plate available in Zintec

Materials

- **BOX/LID:** Glass Reinforced Plastic (GRP)
- **SCREWS:** 316 stainless steel
- **EARTH CONTINUITY PLATE:** Zintec



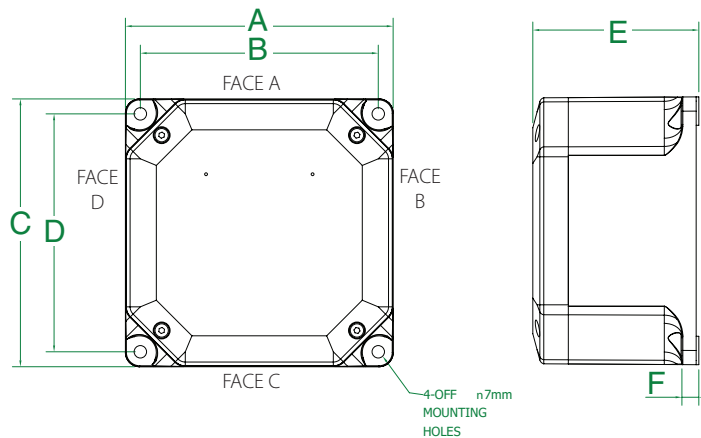
NON-METALLIC JUNCTION BOXES

PL612/PL615/PL620/PL630 DIMENSIONS						
CATALOG NUMBER	A	B	C	D	E	F
PL612	4.72 (120)	4.02 (102)	4.72 (120)	4.02 (102)	2.95 (75)	0.41 (10.5)
PL615	5.94 (151)	5.28 (134)	5.94 (151)	5.28 (134)	3.70 (94)	0.37 (9.5)
PL620	7.94 (201.8)	7.09 (180)	7.94 (201.8)	7.09 (180)	4.92 (125)	0.47 (12)
PL626	10.24 (260)	9.53 (242)	6.30 (160)	5.59 (142)	4.19 (106.5)	0.49 (12.5)
PL630	11.81 (300)	11.02 (280)	11.81 (300)	11.02 (280)	5.00 (127)	0.45 (11.5)

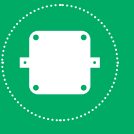
All dimensions in. (mm)

MAXIMUM QUANTITY OF ENTRIES PER FACE									
CATALOG NUMBER	THREAD SIZE	M16/M20	M20/A	M25	M32	M40	M50	M63	M74
PL612	Face A/B/C/D	2	—	1	1	—	—	—	—
PL615	Face A/B/C/D	2	—	2	1	—	—	—	—
PL620	Face A/B/C/D	6	—	4	2	1	1	—	—
PL626	Face B/D	3	—	2	1	—	—	—	—
	Face A/C	9	—	2	1	—	—	—	—
PL630	Face A/B/C/D	10	—	8	3	3	2	2	1

CAUTION: Entry quantities are calculated based on standard gland diameters. Entry quantity may be affected if using accessories (locknuts, washers etc) with large diameters.



HAWKE ENCLOSURES - PL6 SERIES



NON-METALLIC JUNCTION BOXES

PL612 TERMINAL CAPACITY

TERMINAL TYPE	CONDUCTOR SIZE (MM2)		MAX VOLTS	RAIL ORIENTATION	MAX. PHYSICAL TERMINAL CONTENT			REDUCED TERMINAL CONTENT AT MAX AMPS	
	MIN.	MAX.			TERMINAL QTY	RAIL QTY	AMPS	TERMINAL QTY	AMPS
WDU 2.5N	0.5	2.5	440	D	12	1	15	9	17
WDU 2.5	0.5	2.5	690	D	10		17	9	17
UT 2.5	0.14	2.5	690	D	10		15	10	15
WDU 4	0.5	4	690	D	9		22	9	22
UT 4	0.14	4	690	D	9		20	9	20
WDU 6	0.5	6	690	D	6		29	6	29
UT6	0.2	6	690	D	6		28	6	28
WDU 10	1.5	10	690	D	5		40	5	40
UT 10	0.5	10	690	D	5		39	5	39

* Max terminals are split across the quantity of terminal rails

PL615 TERMINAL CAPACITY

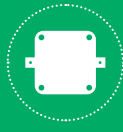
TERMINAL TYPE	CONDUCTOR SIZE (MM2)		MAX VOLTS	RAIL ORIENTATION	MAX. PHYSICAL TERMINAL CONTENT			REDUCED TERMINAL CONTENT AT MAX AMPS	
	MIN.	MAX.			TERMINAL QTY	RAIL QTY	AMPS	TERMINAL QTY	AMPS
WDU 2.5	0.5	2.5	690	D/V/H	19	1	14	12	17
UT 2.5	0.14	2.5	690	D/V/H	19		14	16	15
WDU 4	0.5	4	690	D/V/H	16		19	11	22
UT 4	0.14	4	690	D/V/H	15		19	14	20
WDU 6	0.5	6	690	D/V/H	12		27	10	29
UT6	0.2	6	690	D/V/H	11		28	11	28
WDU 10	1.5	10	690	D/V/H	9		38	8	40
UT 10	0.5	10	690	D/V/H	9		39	9	39
WDU 16	1.5	16	690	D/V/H	7		50	6	53
UT 16	1.5	16	690	D/V/H	7		50	6	53

* Max terminals are split across the quantity of terminal rails

PL620 TERMINAL CAPACITY

TERMINAL TYPE	CONDUCTOR SIZE (MM2)		MAX VOLTS	RAIL ORIENTATION	MAX. PHYSICAL TERMINAL CONTENT			REDUCED TERMINAL CONTENT AT MAX AMPS	
	MIN.	MAX.			TERMINAL QTY	RAIL QTY	AMPS	TERMINAL QTY	AMPS
WDU 2.5	0.5	2.5	690	D/V	24	1	14	17	17
UT 2.5	0.14	2.5	690	D/V	26		14	22	15
WDU 4	0.5	4	690	D/V	20		20	16	22
UT 4	0.14	4	690	D/V	21		19	20	20
WDU 6	0.5	6	690	D/V	15		28	14	29
UT6	0.2	6	690	D/V	16		27	15	28
WDU 10	1.5	10	690	D/V	12		40	12	40
UT 10	0.5	10	690	D/V	12		39	12	39
WDU 16	1.5	16	690	D/V	9		53	9	53
UT 16	1.5	16	690	D/V	10		51	9	53
WDU 35	2.5	35	690	D/V	6		80	6	80
UT 35	1.5	35	690	D/V	7		70	7	70
WDU 50N	6	50	690	D/V	5		88	5	88
UKH 50	16	50	690	D/V	5		87	5	87
WDU 70N	10	70	690	D/V	4		117	3	129

* Max terminals are split across the quantity of terminal rails



ENCLOSURES

HAWKE ENCLOSURES - PL6 SERIES

NON-METALLIC JUNCTION BOXES

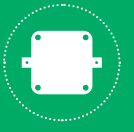
PL626 TERMINAL CAPACITY									
TERMINAL TYPE	CONDUCTOR SIZE (MM2)		MAX VOLTS	RAIL ORIENTATION	MAX. PHYSICAL TERMINAL CONTENT			REDUCED TERMINAL CONTENT AT MAX AMPS	
	MIN.	MAX.			TERMINAL QTY	RAIL QTY	AMPS	TERMINAL QTY	AMPS
WDU 2.5	0.5	2.5	690	H	38	1	11	15	17
UT 2.5	0.14	2.5	690	H	41		10	20	15
WDU 4	0.5	4	690	H	32		15	14	22
UT 4	0.14	4.0	690	H	34		14	18	20
WDU 6	0.5	6	690	H	24		21	12	29
UT6	0.2	6	690	H	25		20	13	28
WDU 10	1.5	10	690	H	19		30	10	40
UT 10	0.5	10	690	H	20		29	11	39
WDU 16	1.5	16	690	H	16		38	8	53
UT 16	1.5	16	690	H	17		37	8	53
WDU 35	2.5	35	690	H	12		57	6	80
UT 35	1.5	35	690	H	12		68	11	70

* Max terminals are split across the quantity of terminal rails

PL630 TERMINAL CAPACITY									
TERMINAL TYPE	CONDUCTOR SIZE (MM2)		MAX VOLTS	RAIL ORIENTATION	MAX. PHYSICAL TERMINAL CONTENT			REDUCED TERMINAL CONTENT AT MAX AMPS	
	MIN.	MAX.			TERMINAL QTY	RAIL QTY	AMPS	TERMINAL QTY	AMPS
WDU 2.5	0.5	2.5	690	V/H D	76 55	2 1	9 11	22	17
UT 2.5	0.14	3	690	V/H D	76 53	2 1	9 11	29	15
WDU 4	0.5	4	690	V/H D	64 46	2 1	12 15	20	22
UT 4	0.14	4	690	V/H D	62 44	2 1	13 15	26	20
WDU 6	0.5	6	690	V/H D	48 35	2 1	18 21	18	29
UT6	0	6	690	V/H D	46 33	2 1	18 21	19	28
WDU 10	1.5	10	690	V/H D	36 28	2 1	26 30	15	40
UT 10	0.5	10	690	V/H D	36 26	2 1	26 31	16	39
WDU 16	1.5	16	690	V/H D	30 22	2 1	34 40	12	53
UT 16	1.50	16	690	V/H D	30 22	2 1	34 40	12	53
WDU 35	2.5	35	690	V/H D	22 16	2 1	53 62	9	80
UT 35	1.50	35	690	V/H D	22 16	2 1	61 70	16	70
WDU 50N	6.0	50	690	D	11	1	80	8	88
UKH 50	16.0	50	690	D	11	1	87	11	87
WDU 70N	10.0	70	690	D	11	1	88	5	129

* Max terminals are split across the quantity of terminal rails

ENCLOSURES
HKBX SERIES



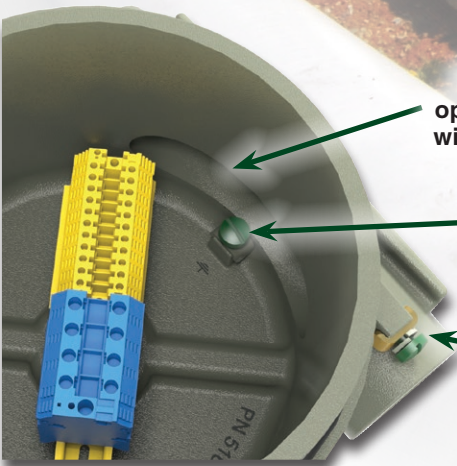
3-5/8" (92mm) diameter viewing window while maintaining the compact body diameter of 5" (127mm)

Smooth die cast finish with gray powder paint for an aesthetically pleasing look to an OEM product – other colors available

Die cast from 413 aluminum alloy, copper free and low magnesium content

Internal pad for additional openings through the back wall can be drilled and tapped: 1/2" NPT or NPSM, 3/4" NPT or NPSM, M20, M25

Large straight internal opening, 4-1/4" (108mm) diameter with a full depth – no wasted space



Large wire way opening for ease of wire pull in the field

Anti-turn internal ground screw assembly

Anti-turn external ground screw assembly

Recessed cross notches for wrenching when required

Large recess grip slots for opening and closing of cover even while wearing heavy gloves

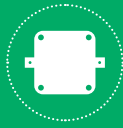
Cover locking set screw standard in all covers. Prevents tampering and unauthorized access to the internal components.

Large "X" pad which will accept any diameter bolt circle

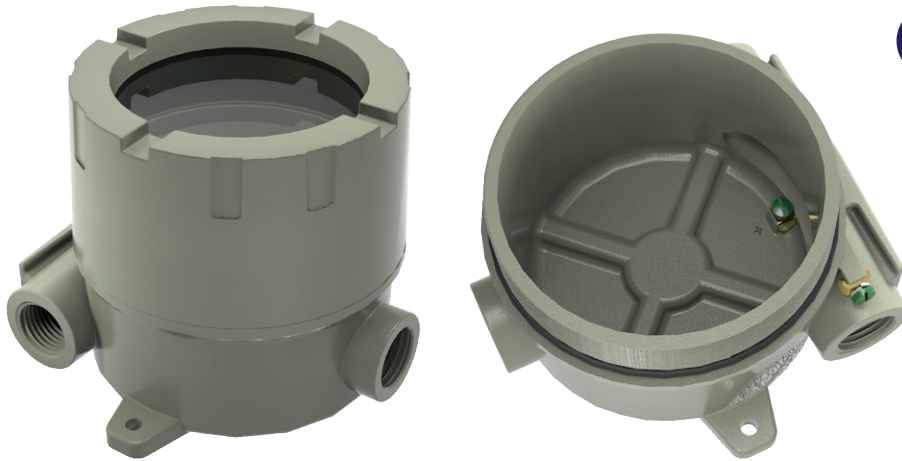
Standard with three 3/4" NPTs openings. Optional sizes of 3/4" NPSM and M25 can be special ordered

O-ring gasket for a Type 3, 4 IP66 environment rating

Mounting lugs with 1/4" (6.3mm) diameter mounting holes



ENCLOSURES HKBX SERIES



HKBX Empty Enclosure

NEC / CEC Certifications

Class I, Div. 1 & 2, Groups A, B, C, & D

Class I, Zone 1, AEx db IIC

Class II, Div. 1 & 2, Groups E, F, & G

Class III

Type 3, 4, 4X

Ta = -60°C to +70°C (UL & CSA)



Files E83969 E150827



File LR11716 - 1750685

ATEX / IEC Ex Certificate



II 2 G D CE 2813

Ex db IIC Gb

Ex tb IIIC Db IP66

Ta = -60°C to +70°C

DEMKO 01ATEX 15742U

IECEx UL 14.0071U

FEATURES-SPECIFICATIONS

Features

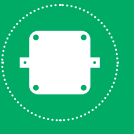
- Explosion/flare proof, dust/ignition proof, weather/hose-down proof and tamper resistant
- ATEX & IEC Ex standard on all assemblies
- Box and covers are die cast from copper-free aluminum
- Neoprene o-ring for water resistance in Type 3, 4 / IP66 conditions
- Large viewing diameter of 3-5/8" (92mm)
- Large 4-1/4" (108mm) diameter internal cover opening with a full depth – no wasted space
- Three 3/4" NPT offset feed-through conduit openings. Optional 3/4" NPSM or M25 openings available.
- Large internal mounting pad supplied in a "X" configuration for the flexibility of adapting to any OEM bolt circle
- Internal and external anti-turn ground (earth) terminals
- Cover with shrouded tamper-resistant set screw
- Recessed cover lugs permit easy removal and tightening. Large recess grip slots for opening and closing of the cover.
- Cast-on mounting lugs with 1/4" (6.3mm) diameter mounting holes
- Same mounting foot print as the legacy HKB Series boxes

Materials

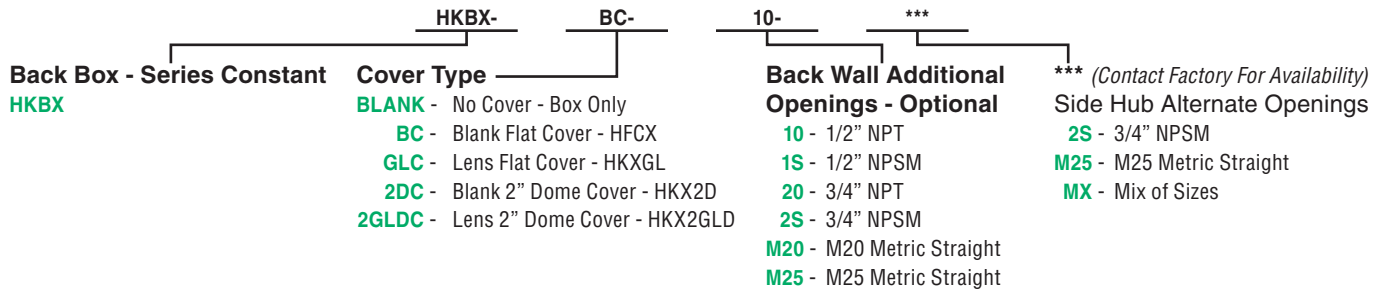
- **BOX AND COVER:** die cast from 413 copper-free aluminum, containing less than 1% alloy and less than 6% magnesium
- **O-RING GASKET NEOPRENE - 70** durometer nitrile compound
- **GROUND (EARTH) SCREW - 316** stainless steel with green plating
- **ALLEN HEAD COVER LOCKING SCREW - 316** stainless steel
- **GLASS LENS - 3/8"** (9.5mm) thick tempered float glass
- **FINISH - silver powder epoxy paint** electrostatically applied
- Special colors available in quantity

Factory / Field Modifications

- **UL AND CSA APPROVALS** allow for the field drilling and tapping of blind holes into the internal "X" ribs for mounting of customer equipment. The internal pad allows for the field drilling and tapping for one additional opening, 1/2" NPT or NPSM, 3/4" NPT or NPSM, M20 or M25.
- **ATEX IEC EX APPROVALS** all machining modifications must be done by the factory



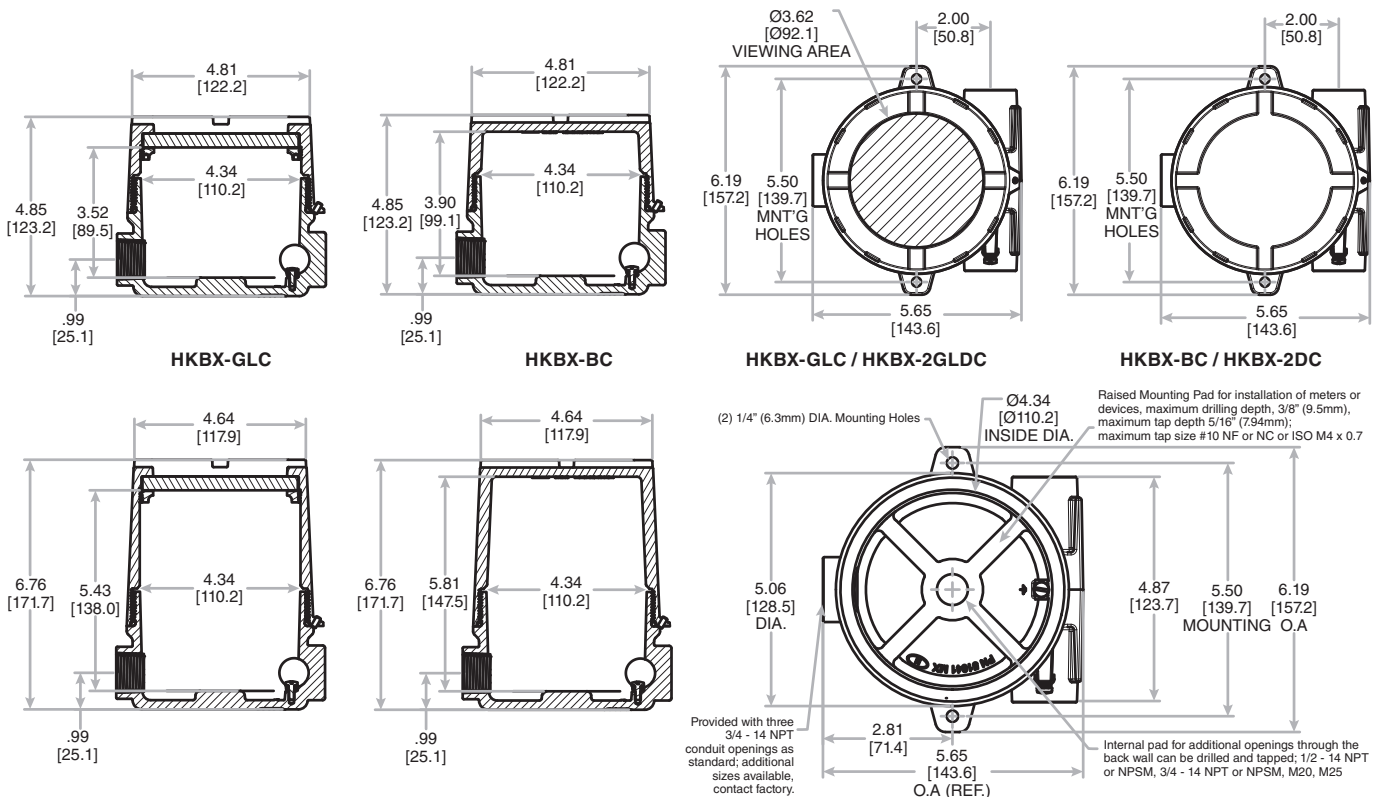
CATALOG LOGIC

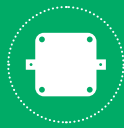


HKBX COMPONENT AND ASSEMBLY NUMBERS	
CATALOG NUMBER	ITEM DESCRIPTION
HKBX	Box only 4-1/4" (108mm) internal diameter opening
HFCX	Flat cover 4-1/4" (108mm) internal diameter opening
HKXGL	Lens cover 3-5/8" (92mm) diameter viewing
HKX2D	Dome 2" cover 4-1/4" (108mm) internal diameter
HKX2GLD	Dome 2" lens cover 3-5/8" (92mm) diameter viewing
HKBX-BC	Box with flat cover 4-1/4" (108mm) internal diameter QUAD Approvals
HKBX-GLC	Box with lens cover 3-5/8" (92mm) viewing QUAD Approvals
HKBX-2DC	Box with 2" dome cover 4-1/4" (108mm) internal diameter QUAD Approvals
HKBX-2GLDC	Box with 2" dome lens cover 3-5/8" (92mm) viewing QUAD Approvals
HKBX-GRD	HKBX replacement ground kit
15722JABB	HKBX replacement "O" ring

Note: The HKBX covers are non-interchangeable with the legacy HKB's covers.

HKBX FACTORY MODIFICATIONS	
OPTIONAL FACTORY MACHINING	
CATALOG SUFFIX	MODIFICATION DESCRIPTION
-10	1/2" NPT in the back wall
-1S	1/2" NPSM in the back wall
-20	3/4" NPT in the back wall
-2S	3/4" NPSM in the back wall
-2SS	3/4" NPSM in the side hubs <i>Consult Factory for Pricing</i>
-M20	M20 in the back wall
-M25	M25 in the back wall
-M25S	M25 in the side hubs <i>Consult Factory for Pricing</i>
-MX	Mix of sizes and locations <i>Consult Factory for Pricing</i>

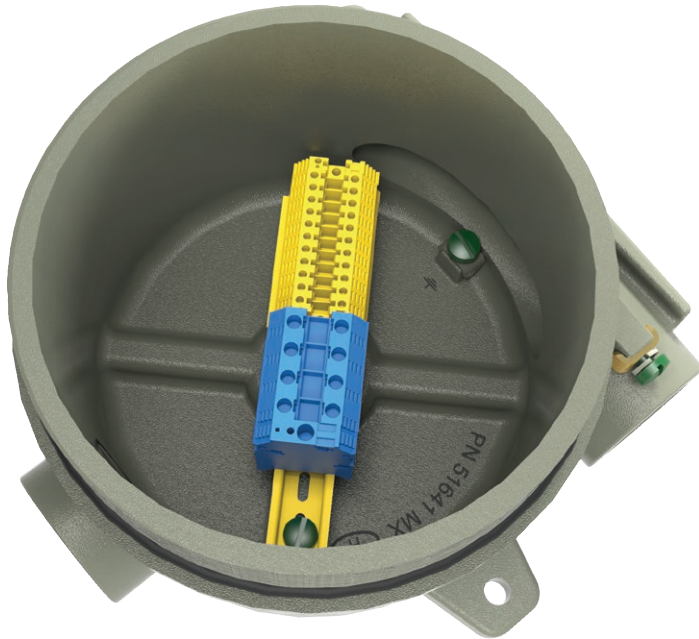




ENCLOSURES

HKBX-TB SERIES

HKBX TERMINAL BOX - UL / CSA / ATEX / IEC EX



HKBX-TB Terminal Box

NEC / CEC Certifications

Class I, Div. 1 & 2, Groups A, B, C, & D

Class I, Zone 1, AEx db IIC

Class II, Div. 1 & 2, Groups E, F, & G

Class III

Type 3, 4, 4X

Ta = -60°C to +70°C



File E83969



File LR11716 - 1750685

ATEX / IEC Ex Certificate



II 2 G D CE 2813

Ex db IIC T4...T3 Gb

Ex eb IIC T4...T3 Gb

Ex tb IIIC T110°C...T140°C IP66

Ta = -60°C to +70°C

DEMKO 06ATEX 141023X

DEMKO 06ATEX 0521635X

IECEX UL 14.0060X

IECEX UL 14.0069X

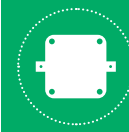
FEATURES-SPECIFICATIONS

Features

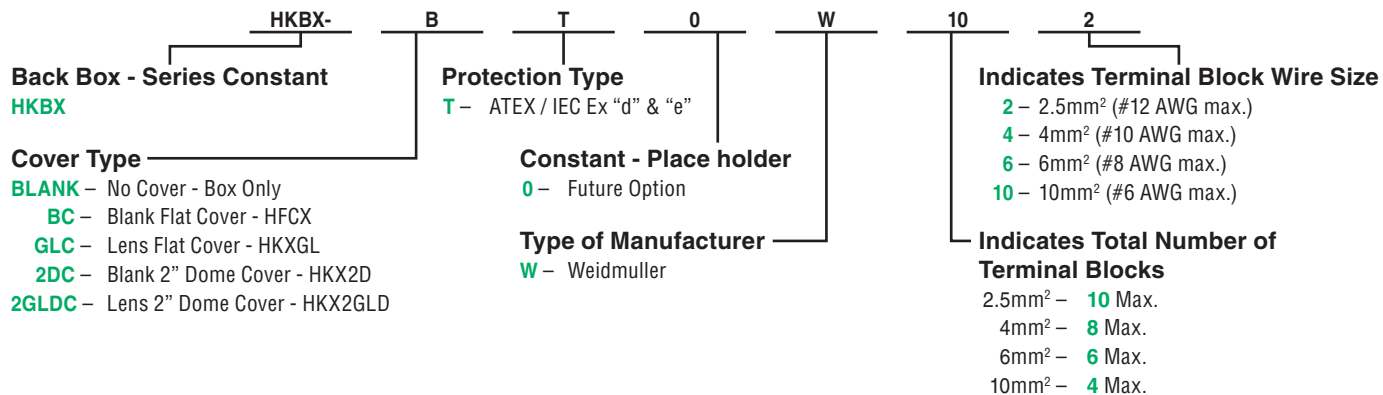
- Maximum (10) 2.5mm² terminal blocks
- Maximum 630VAC, 60 AMPs
- Enclosures are explosion/flare proof, dust/ignition proof, weather/hose-down proof and tamper resistant
- ATEX & IEC Ex standard on all assemblies
- Box and cover without ATEX IEC Ex can be sold separately
- Box and covers are die cast from copper-free aluminum
- Neoprene o-ring for water resistance in Type 3, 4 / IP66 conditions
- Large 4-1/4" (108mm) diameter internal cover opening with a full depth – no wasted space
- Three 3/4" NPT offset feed-through conduit openings. Optional 3/4" NPSM or M25 openings available.
- Large internal mounting pad supplied in a "X" configuration for the flexibility of adapting to any OEM bolt circle
- Internal and external anti-turn ground (earth) terminals
- Cover with shrouded tamper-resistant set screw
- Recessed cover lugs permit easy removal and tightening. Large recess grip slots for opening and closing of the cover.
- Cast-on mounting lugs with 1/4" (6.3mm) diameter mounting holes
- Same mounting foot print as the legacy HKB Series boxes

Materials

- **BOX AND COVER:** die cast from 413 copper-free aluminum, containing less than 1/10 of 1% alloy and less than 6% magnesium
- **O-RING GASKET NEOPRENE - 70** durometer nitrile compound
- **GROUND (EARTH) SCREW - 316** stainless steel with green plating.
- **ALLEN HEAD COVER LOCKING SCREW - 316** stainless steel
- **FINISH - silver powder epoxy paint** electrostatically applied
- Special colors available in quantity



CATALOG LOGIC



REPLACEMENT COMPONENTS	
CATALOG NUMBER	DESCRIPTIONS
HKBX-GRD	HKBX replacement ground kit
15722AAAB	HKBX replacement "O" ring

Note: The HKBX covers are non-interchangeable with the legacy HKB's covers.

HKBX FACTORY MODIFICATIONS	
OPTIONAL FACTORY MACHINING	
CATALOG SUFFIX	MODIFICATION DESCRIPTION
-2SS	3/4" NPSM in the side hubs Consult Factory for Pricing
-M25S	M25 in the side hubs Consult Factory for Pricing
-MX	Mix of sizes and locations Consult Factory for Pricing



ENCLOSURES HK/2HK SERIES

INSTRUMENT / DEVICE ENCLOSURES



HK



2HK



HKB
Empty Enclosure

NEC / CEC Certifications

- Class I, Div. 1 & 2, Groups A, B, C, & D
- Class I, Zone 1, AEx db IIC
- Class II, Div. 1 & 2, Groups E, F, & G
- Class III
- Type 3, 4, 4X
- Ta = -60°C to +70°C (UL & CSA)
- Ta = -20°C to +40°C (FM)
- Files E83969 / E150827
- File LR11716 - 1750685
- File 1W1R4-RE



ATEX / IEC Ex Certificate

II 2 G D CE 2813

- Ex db IIC Gb
- Ex tb IIIC Db IP66
- Ta = -60°C to +70°C
- DEMKO 01ATEX 15742U
- IECEX UL 14.0071U

Gas Group "A" certified by FM only, add suffix "-GA". Seal within 6"

For Group BCD seal within 18" of the box.

For Ex db IIC seal adjacent to the box.

FEATURES-SPECIFICATIONS

Features

- Explosion/flame proof, dust/ignition proof, weather/hose-down proof and tamper resistant
- Boxes and covers are cast from a copper-free aluminum alloy
- Cast stainless steel box, flat, and lens cover available (HKSB-BC + HKSB-GLC)
- Neoprene o-ring for water resistance in Type 3, 4 / IP66 conditions
- Three box styles available: HKB, HKBD single cover design and the 2HKB double cover design. 2HKB enclosure has two separate chambers for isolation between power and instrument.
- HKB, HKBD box has offset feed-thru conduit openings (3/4" NPT) for maximum use of interior volume
- 2HKB box has offset feed-thru conduit openings (3/4" NPT) on power side and one (3/4" NPT) on bottom instrument side
- Interior mounting pad (HKB, HKBD) in an "X" configuration for flexibility of adapting to OEM bolt circle
- Location of the internal ground screw boss does not interfere with the mounting of the instrument or device

- Eight different cover styles are available: standard flat cover, standard glass lens cover, 1" dome cover, 1" dome lens cover, 2" dome cover, 2" glass lens dome cover, 4" dome cover, and 4" dome lens cover.
- All covers have shrouded tamper-resistant set screws as standard which can help to combat excessive vibration in rugged settings
- Lugs on cover permit easy removal and tightening

Materials

- Boxes and covers – copper-free aluminum (less than 1/10 of 1%)
- HKSB series is 316 cast stainless steel

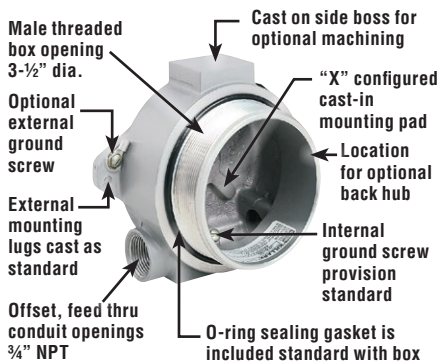
- O-ring sealing gasket – Neoprene rubber
- Ground screws – zinc plated steel with green dye (stainless steel on HKSB)
- Allen head cover screw – cadmium plated steel (stainless steel on HKSB)
- Glass lens – 3/8" thick tempered glass
- Finish – silver powder epoxy paint, electrostatically applied
- Special colors available in quantity

2HKB Series Boxes

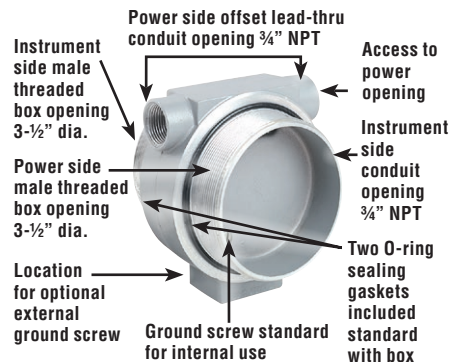
- The wall that separates the instrument side from the power side can be machined for slots or holes up to a maximum of two slots 5/16" by 1-1/2".

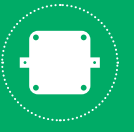
Submit drawings for machining requirements to Killark.

HK Design Features



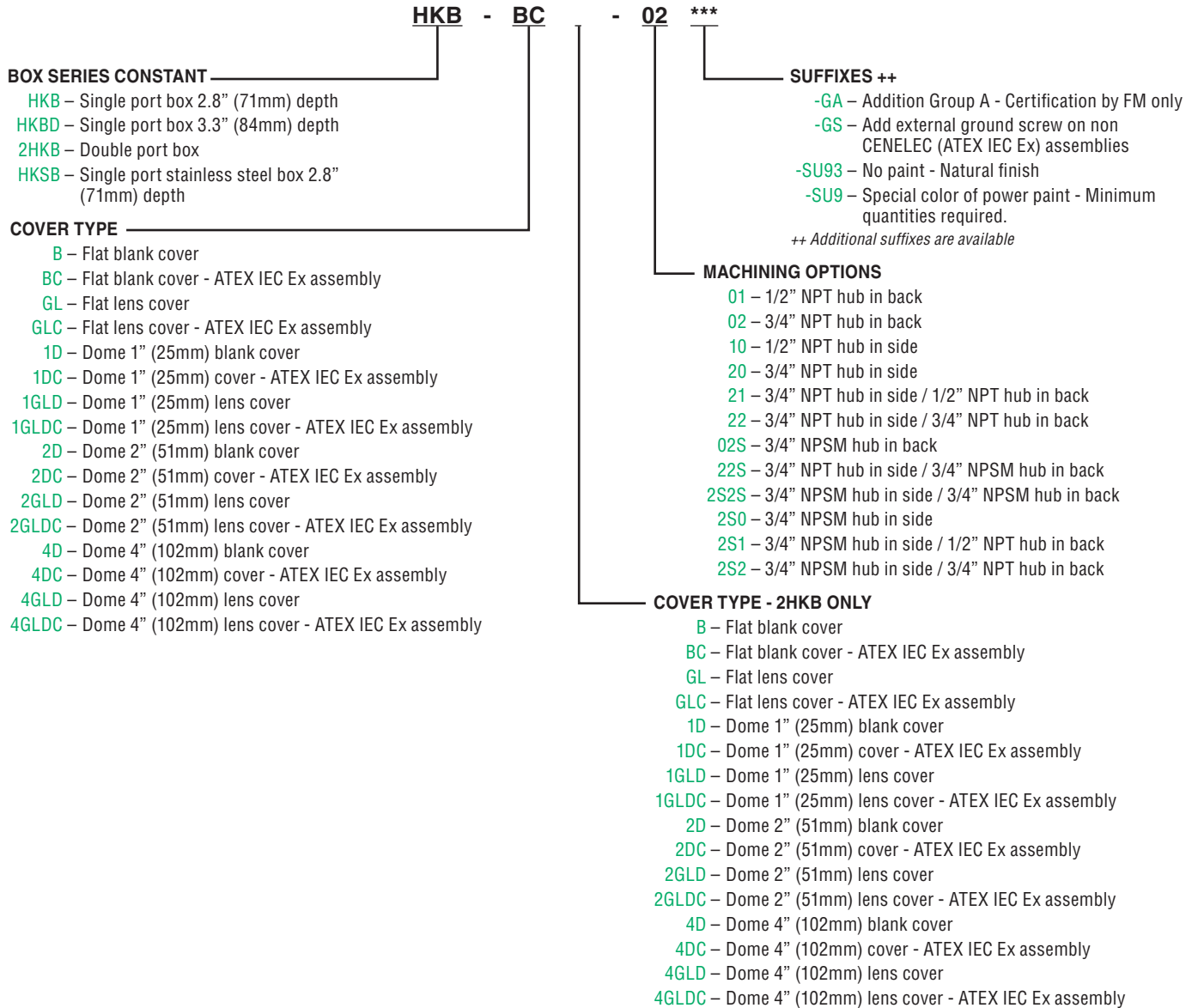
2HK Design Features

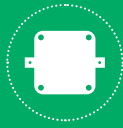




INSTRUMENT / DEVICE ENCLOSURES

CATALOG LOGIC





ENCLOSURES HK/2HK SERIES

INSTRUMENT / DEVICE ENCLOSURES BOXES



FLAT AND 1" DOME COVERS



2" AND 4" DOME COVERS



FEATURES

2HKB Series Boxes

The wall that separates the instrument side from the power side can be machined for slots or holes up to a maximum of two slots $\frac{5}{16}$ " by $1\frac{1}{2}$ ". Submit drawings for machining requirements to Killark.

Factory Modifications

Approvals allow for factory or field modifications on HKB box for drilling and tapping conduit openings on side or back of enclosure without voiding UL-CSA-FM approvals. Internal mounting pad holes on "X" configured boss can be factory added by drilling from inside of box without piercing the bottom of enclosures. Assemblies with ATEX/IEC Ex approvals must be factory modified in order to comply with certifications.

Note: The HKB boxes and covers are not interchangeable with the HKBX series enclosures.

HK ASSEMBLED PARTS

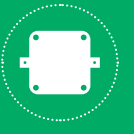
CATALOG NUMBER (CAST ALUMINUM)					
HKB BOX AND COVERS		HKB BOX & COVERS	2HKB BOX W/ BLANK COVER ON POWER SIDE & OPTIONAL COVER ON INSTRUMENT SIDE		COVER TYPE
UL-CSA-FM APPROVED	GENELEC UL-CSA-FM APPROVED	UL-CSA-FM APPROVED	(UL-CSA-FM)	GENELEC UL-CSA-FM APPROVED	
HKB-B	HKB-BC	HKBD-B	2HKB-B-B	2HKB-BC-BC	Standard flat
HKB-2D	HKB-2DC	HKBD-2D	2HKB-B-2D	2HKB-BC-2DC	2" Dome
HKB-4D	HKB-4DC	HKBD-4D	2HKB-B-4D	2HKB-BC-4DC	4" Dome
HKB-GL	HKB-GLC	HKBD-GL	2HKB-B-GL	2HKB-BC-GLC	Lens
HKB-2GLD	HKB-2GLDC	HKBD-2GLD	2HKB-B-2GLD	2HKB-BC-2GLDC	2" Dome lens

HK COMPONENT PARTS

CATALOG NUMBER	DESCRIPTION
HKB	Single cover box only
HKBD	Single deep box only
2HKB	Double cover Box only
HFC	Flat cover
HKGL	Lens cover
HK1D	1" Dome cover
HK1GLD	1" Dome lens cover
HK2D	2" Dome cover
HK4D	4" Dome cover
HK2GLD	2" Dome lens cover
HK4GLD	4" Dome lens cover
15722LABB	Rep. "O" Ring Gasket

HKSB STAINLESS STEEL ASSEMBLED PARTS

HKSB BOX AND COVERS GENELEC UL-CSA-FM APPROVED	COVER TYPE
HKSB-BC	Standard flat
HKSB-GLC	Lens



INSTRUMENT / DEVICE ENCLOSURES



HK

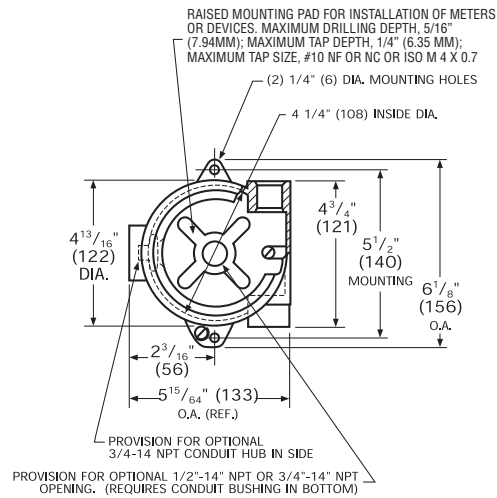


HKSB - Stainless Steel

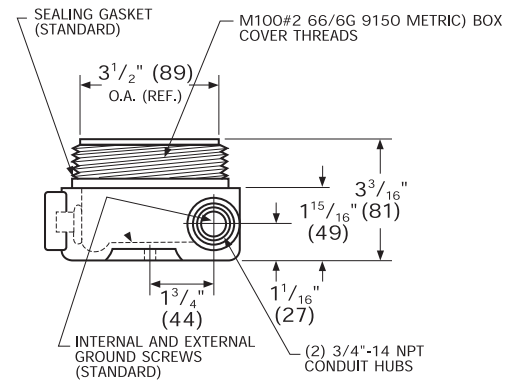
Dimensions

Note: Add 1/2" to all depth dimensions when using HKBD Deep Box.

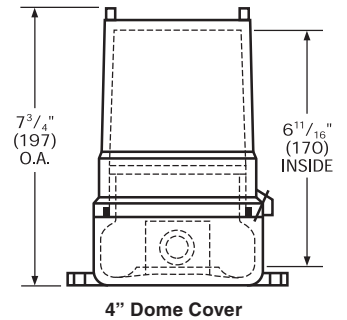
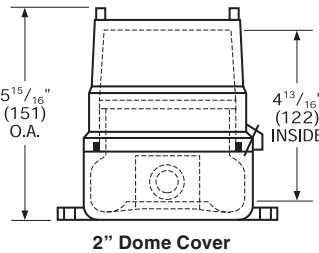
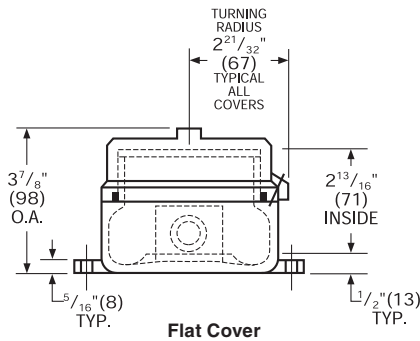
HKBD volume = 33 cu.in.



HKBD Volume: 31 cu. in.



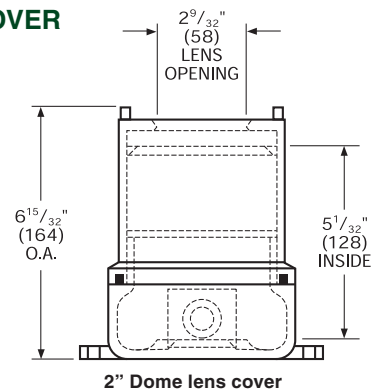
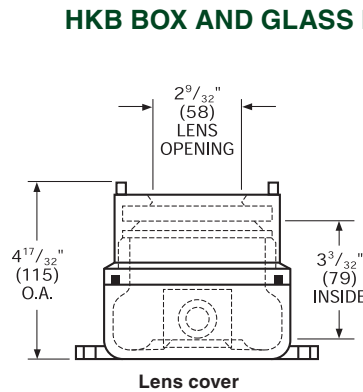
HKBD BOX AND BLANK COVER

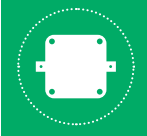


For HK1GLD (1" Dome Lens Cover), add 1" to lens cover verticle height dimensions

HKBD BOX AND GLASS LENS COVER

For HK4GLD (4" Dome Lens Cover), add 2" to 2 dome lens cover verticle height dimensions





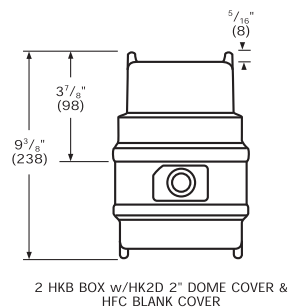
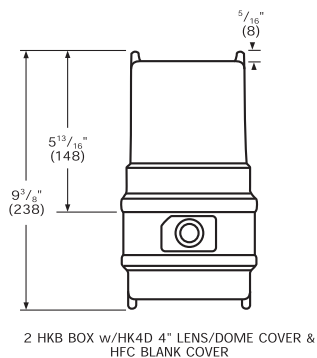
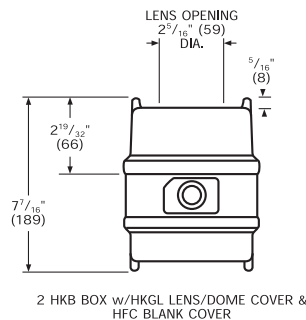
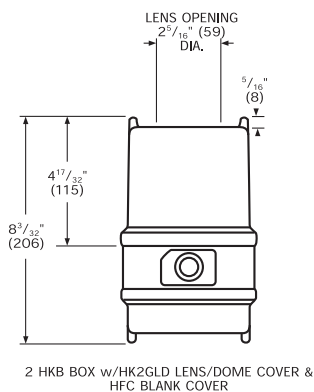
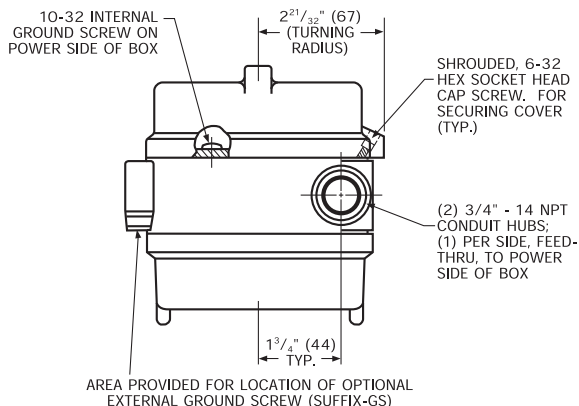
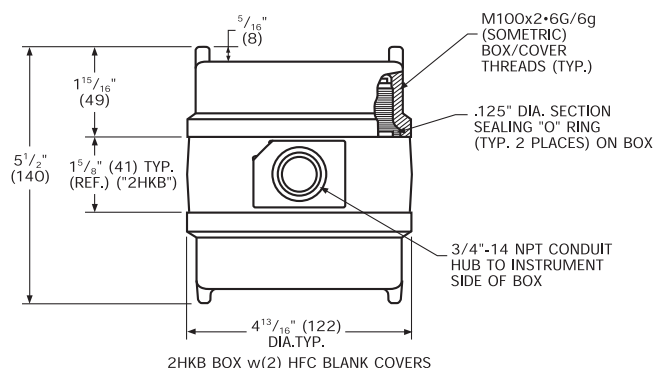
ENCLOSURES 2HK SERIES

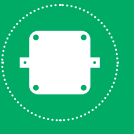
INSTRUMENT / DEVICE ENCLOSURES



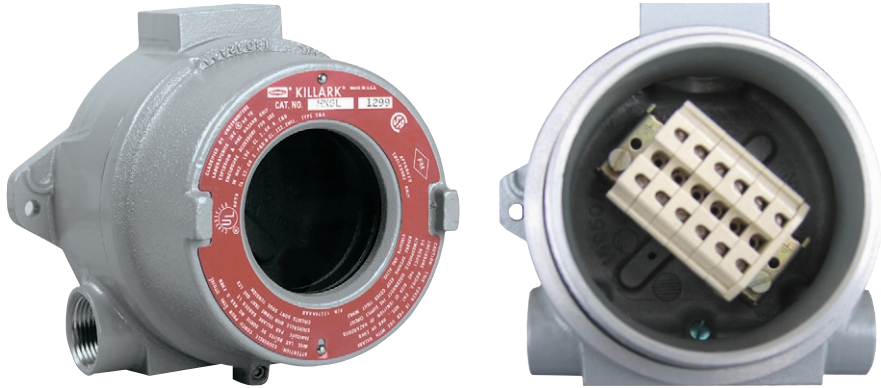
2HK

Dimensions





HK TERMINAL BOX - UL / CSA / ATEX / IEC EX



HKB-TB
Terminal Box

NEC / CEC Certifications

Class I, Div. 1 & 2, Groups A, B, C, & D
Class I, Zone 1, AEx db IIC
Class II, Div. 1 & 2, Groups E, F, & G
Class III
Type 3, 4, 4X

Ta = -60°C to +70°C (UL & CSA)
Ta = -20°C to +40°C (FM)



File E83969
File LR11716 - 1750685
File 1W1R4-RE

ATEX / IEC Ex Certificate



II 2 G D CE 2813
Ex db IIC T4...T3 Gb
Ex eb IIC T4...T3 Gb
Ex tb IIIC T110°C...T140°C IP66
Ta = -60°C to +70°C
DEMKO 06ATEX 141023X
DEMKO 06ATEX 0521635X
IECEX UL 14.0060X
IECEX UL 14.0069X

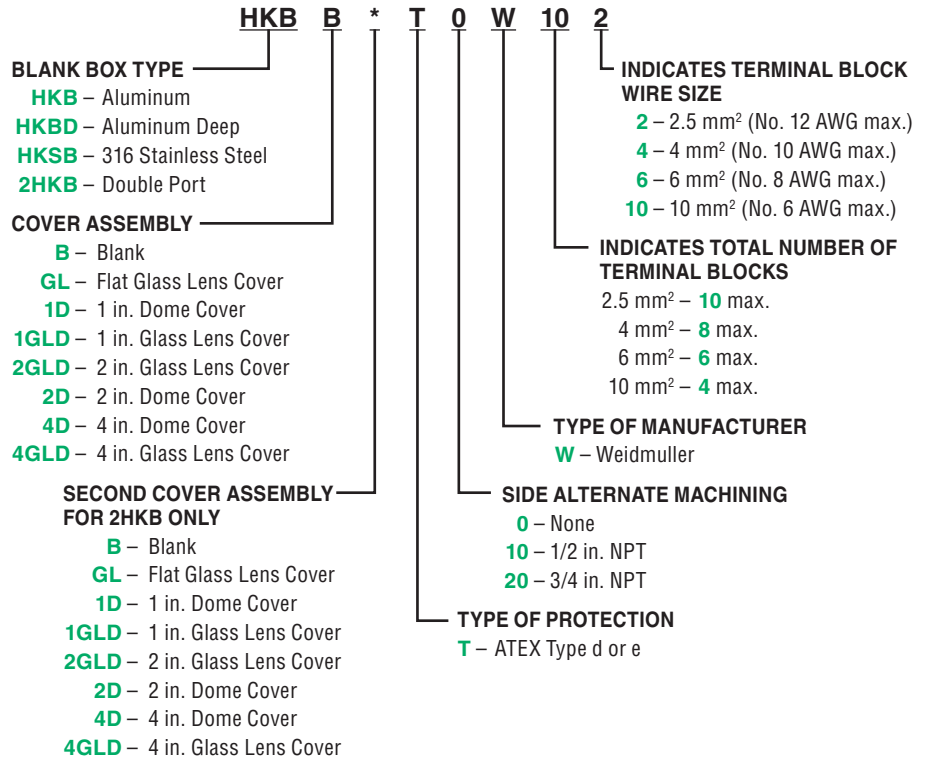
FEATURES-SPECIFICATIONS

UL DEMKO
Increased Safety/Flame Proof
Terminal Enclosure

Features

- Select from 4 body types and 8 different covers
- Single port box provided with two 3/4" NPT standard openings. One additional 1/2" or 3/4" NPT can be added.
- Double port has three 3/4" NPT's as standard
- Maximum (10) 2.5mm² blocks. Quantity doubles for 2HKB's.
- 630 Volts max. and 60 Amps max.
- Group A FM only on HK single cover box.
- Seal within 18" of enclosure for Group BCD and within 6" for group A in Class and Division applications.
- Seal immediately adjacent to enclosure for EX db IIC applications.

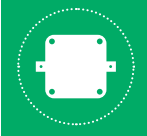
Catalog Number Logic
HK Series ATEX/IEC Ex Terminal Box



ORDERING EXAMPLE: HKB-B-T1W102

DESCRIPTION: HKB box with blank cover, with 1/2" NPT (in the side) pad, with qty. ten 2.5mm² Weidmuller terminal blocks.

DIMENSIONS: See the HKB empty enclosure section at the end of this section.

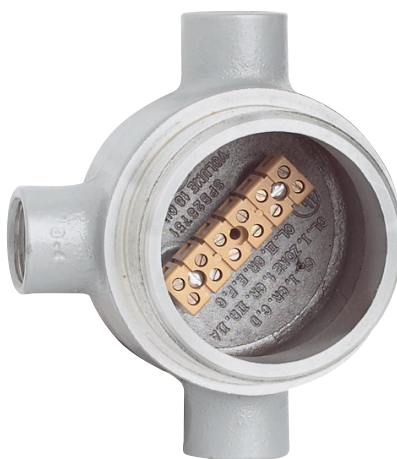


ENCLOSURES
GE SERIES

ALUMINUM OUTLET BODIES WITH TERMINAL BLOCK - UL / CSA



GECTT-2-6TB



GEC-6TB
Terminal Box

NEC / CEC Certifications

Class I, Div. 1 & 2, Groups B, C, & D
Class I, Zone 1 & 2

Groups IIB+H2, IIA

Class II, Div. 1 & 2, Groups E, F, & G
Class III

Type 3, 4, 4X

Ta = -25°C to +40°C (UL)

Ta = -50°C to +40°C (CSA)



File E10514



File LR11716

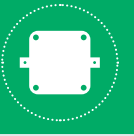
FEATURES-SPECIFICATIONS

Features

- Water shedding cover – suitable for wet locations
- External cover threads on body protect conductors from damage during pulling
- No pinching of conductors during cover installation
- Three different hub arrangements
- Taper threaded hubs to provide ground continuity
- Smooth integral hub bushing to protect conductor insulation when pulling
- Weather-resistant finish
- Green ground screw standard in all boxes
- Weidmuller 6 point MK3 terminal block is mounted inside box on raised pads
- Type 4 “O” Ring Standard
- Terminal rated 600V UL / 300V CSA / 20 AMP for wire size #22 – 12AWG
- Hub type XTF furnished with mounting flange

Materials

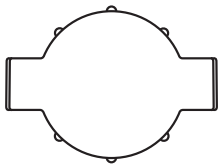
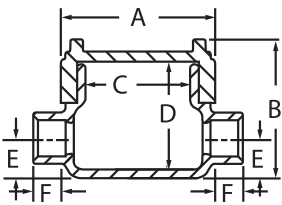
- Body and cover are copper-free aluminum (less than 1/10 of 1%)
- **FINISH** – Electrostatically applied powder coating



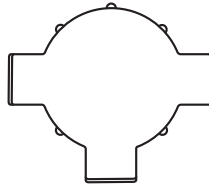
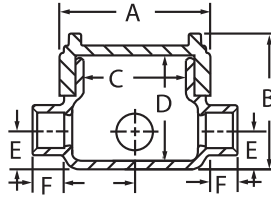
GE SERIES OUTLET BOX WITH 6 POINT TERMINAL BLOCK

HUB TYPE	CATALOG NUMBER	HUB SIZE	A	B	C	D	E	F	COVER OPENING	VOLUME CU. IN./ML
C	GECCT-2-6TB	3/4"	3-11/16" (94)	3-5/8" (92)	2-11/16" (68)	2-3/4" (70)	1" (25)	13/16" (21)	2-11/16" (68)	19 (311)
T	GECTT-2-6TB	3/4"								
X	GECXT-2-6TB	3/4"								
XTF	GECXTF-2-6TB	3/4"					3/4" (19)			

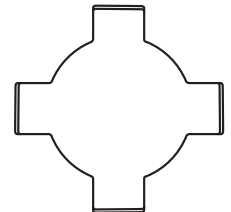
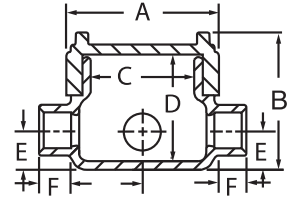
Dimensions in. (mm)



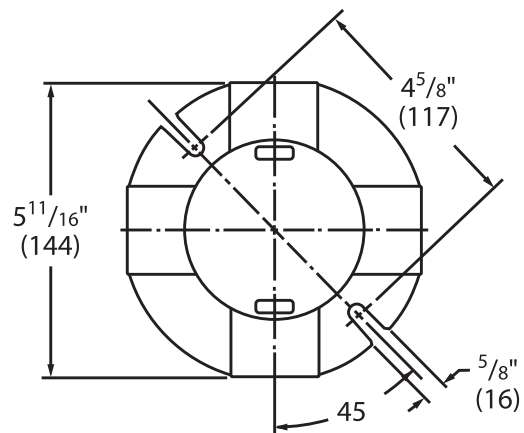
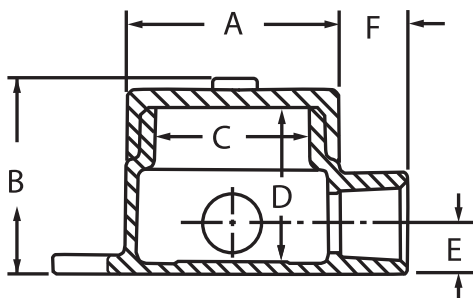
C Type



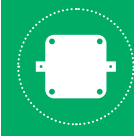
T Type



X Type

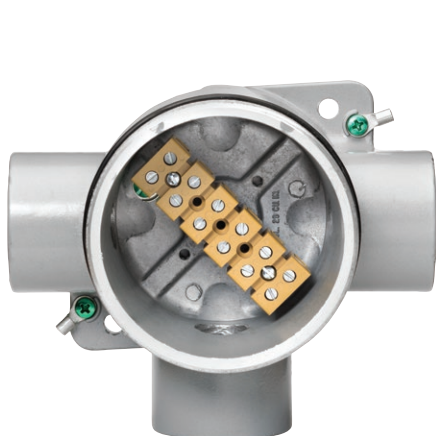


XTF Type
With Mounting Flange



ENCLOSURES
GEB SERIES

STOCK TERMINAL BOXES - UL / CSA / ATEX / IEC EX WITH **PANEL MOUNTED** TERMINALS



GEBT



GEBX



GEB-TB
Terminal Box

NEC / CEC Certifications

Class I, Div. 1 & 2, Groups B, C, & D
Class I Zone 1 IIB+H2 Gb
Class II, Div. 1 & 2, Groups E, F, & G
Class III

Type 3, 4, 4X

Ta = -25°C to +40°C

UL Ta = -50°C to +40°C

File E83969

Certificate LR11716 - 1820607

ATEX / IEC Ex Certificate

II 2 G D CE 2813

Ex d IIC T* Gb

Ex tb IIIC T**C Db IP66

Service Temperature -40°C to +163°C

Sira 12ATEX1244

IECEX SIR 12.0107

FEATURES-SPECIFICATIONS

Features

- Cover o-ring supplied as standard for Type 4X and IP66 applications
- Available in 3 configurations with either 3/4" or 1" NPT threaded hubs providing ground continuity
- Smooth integral hub bushing to protect conductor insulation when pulling
- Also available in M20 through M50 metric sizes
- No pinching of conductors during cover installation
- Three options of terminal blocks
- One internal and two external grounding (earthing) screws
- Lugs on cover for easy removal and tightening

Materials

- Box and cover: Copper free aluminum (less than 1/10 of 1%)
- Finish: Electrostatically applied powder coating – Grey
- O-Ring Gasket: Nitrile compound
- Stainless steel, tamper-proof locking set screw in cover

Terminal Blocks Specifications

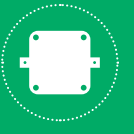
8TBMK: Weidmuller® MK3/8 Qty 8 points
UL = 600VAC, 5AMP, #22 to #12 AWG
CSA = 300VAC, 25AMP, #22 to #12 AWG
IEC = 400VAC, 24AMP, 2.5mm²

6TBMK: Weidmuller® MK6/6 Qty 6 points
UL = 300VAC, 20AMP, #22 to #10 AWG
CSA = 300VAC, 40AMP, #22 to #10 AWG
IEC = 490VAC, 41AMP, 6mm²

10TBZD: Weidmuller® ZDUB2.5 Qty 10 points
UL = 600VAC, 20AMP, #26 to #12 AWG
CSA = 600VAC, 25AMP, #26 to #12 AWG
IEC = 690VAC, 24AMP, 2.5mm²

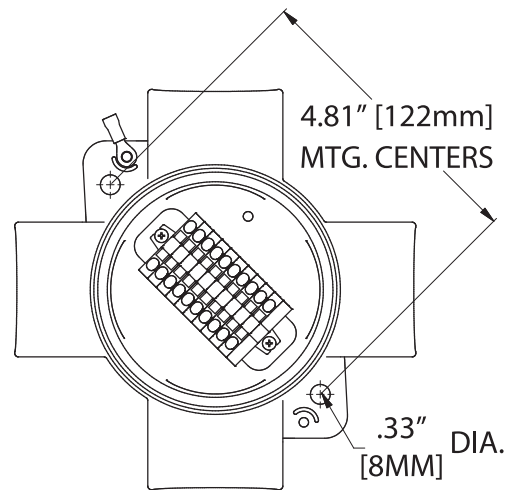
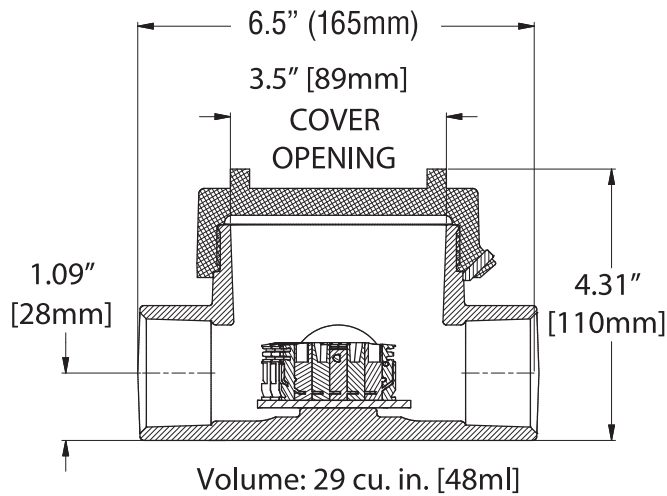
*T Codes Ratings / Wattage Input

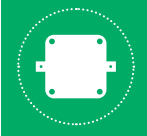
- 20 Watts of Power
 - Ta 48°C = T6 / T85°C
 - Ta 63°C = T5 / T100°C
 - Ta 98°C = T4 / T135°C
 - Ta 163°C = T3 / T200°C
- 30 Watts of Power
 - Ta 50°C = T5 / T100°C
 - Ta 85°C = T4 / T135°C
 - Ta 150°C = T3 / T200°C
- 40 Watts of Power
 - Ta 38°C = T5 / T100°C
 - Ta 73°C = T4 / T135°C
 - Ta 138°C = T3 / T200°C



STOCK TERMINAL BOXES - UL / CSA / ATEX / IEC EX WITH **PANEL MOUNTED** TERMINALS

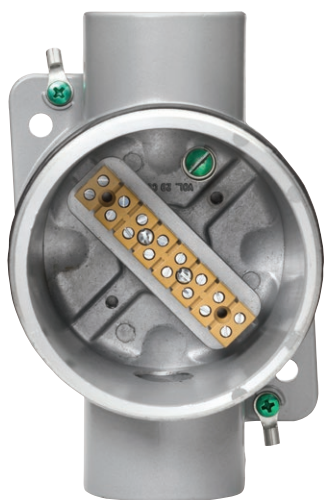
HUB TYPE	CATALOG NUMBER	HUB SIZE	CATALOG NUMBER	HUB SIZE
C	GEBX-2-8TBMK-EX	3/4"	GEBX-3-8TBMK-EX	1"
	GEBX-2-6TBMK-EX		GEBX-3-6TBMK-EX	
	GEBX-2-10TBZD-EX		GEBX-3-10TBZD-EX	
T	GEBT-2-8TBMK-EX	3/4"	GEBT-3-8TBMK-EX	1"
	GEBT-2-6TBMK-EX		GEBT-3-6TBMK-EX	
	GEBT-2-10TBZD-EX		GEBT-3-10TBZD-EX	
X	GEBX-2-8TBMK-EX	3/4"	GEBX-3-8TBMK-EX	1"
	GEBX-2-6TBMK-EX		GEBX-3-6TBMK-EX	
	GEBX-2-10TBZD-EX		GEBX-3-10TBZD-EX	



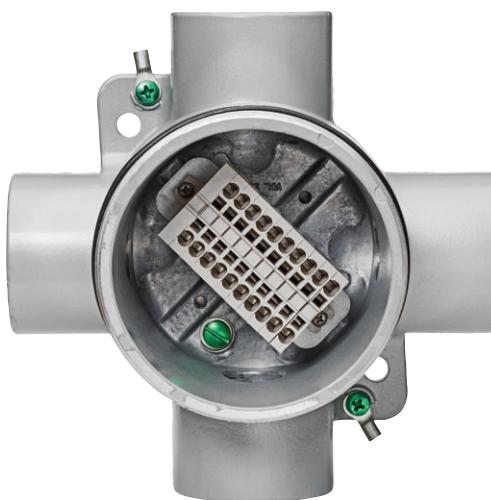


ENCLOSURES
GEB SERIES

TERMINAL BOXES - UL / CSA / ATEX / IEC EX CONFIGURED **PANEL MOUNTED TERMINALS**



GEB-C Open



GEB-X Open



GEB-TB
Terminal Box

NEC / CEC Certifications

Class I, Div. 1 & 2, Groups B, C, & D

Class I Zone 1 IIB+H2 Gb

Class II, Div. 1 & 2, Groups E, F, & G

Class III

Type 3, 4, 4X

Ta = -25°C to +40°C

Ta = -50°C to +40°C



File E83969



Certificate LR11716 - 1820607



ATEX / IEC Ex Certificate

II 2 G D CE 2813

Ex d IIC T* Gb

Ex tb IIIC T***C Db IP66

Service Temperature -40°C to +163°C

Sira 12ATEX1244

IECEX SIR 12.0107

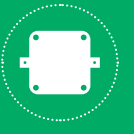
FEATURES-SPECIFICATIONS

Features

- Cover o-ring supplied as standard for Type 4X and IP66 applications
- Available in 4 configurations with either 3/4" or 1" NPT threaded hubs providing ground continuity
- Smooth integral hub bushing to protect conductor insulation when pulling
- Also available in M20 through M50 metric sizes
- External cover threads on the body protects conductors from damages during pulling
- No pinching of conductors during cover installation
- Two terminal block manufacturers to choose from: Weidmuller® and ABB®
- Three options of terminal blocks
- One internal and two external grounding (earthing) screws
- Lugs on cover for easy removal and tightening

Materials

- Box and cover: Copper free aluminum (less than 1/10 of 1%)
- Finish: Electrostatically applied powder coating – Grey
- O-Ring Gasket: Nitrile compound
- Stainless steel, tamper-proof locking set screw in cover



Terminal Blocks Specifications

8TBMK: Weidmuller® MK3/8 Qty 8 points
UL = 600VAC, 5AMP, #22 to #12 AWG
CSA = 300VAC, 25AMP, #22 to #12 AWG
IEC = 400VAC, 24AMP, 2.5mm²

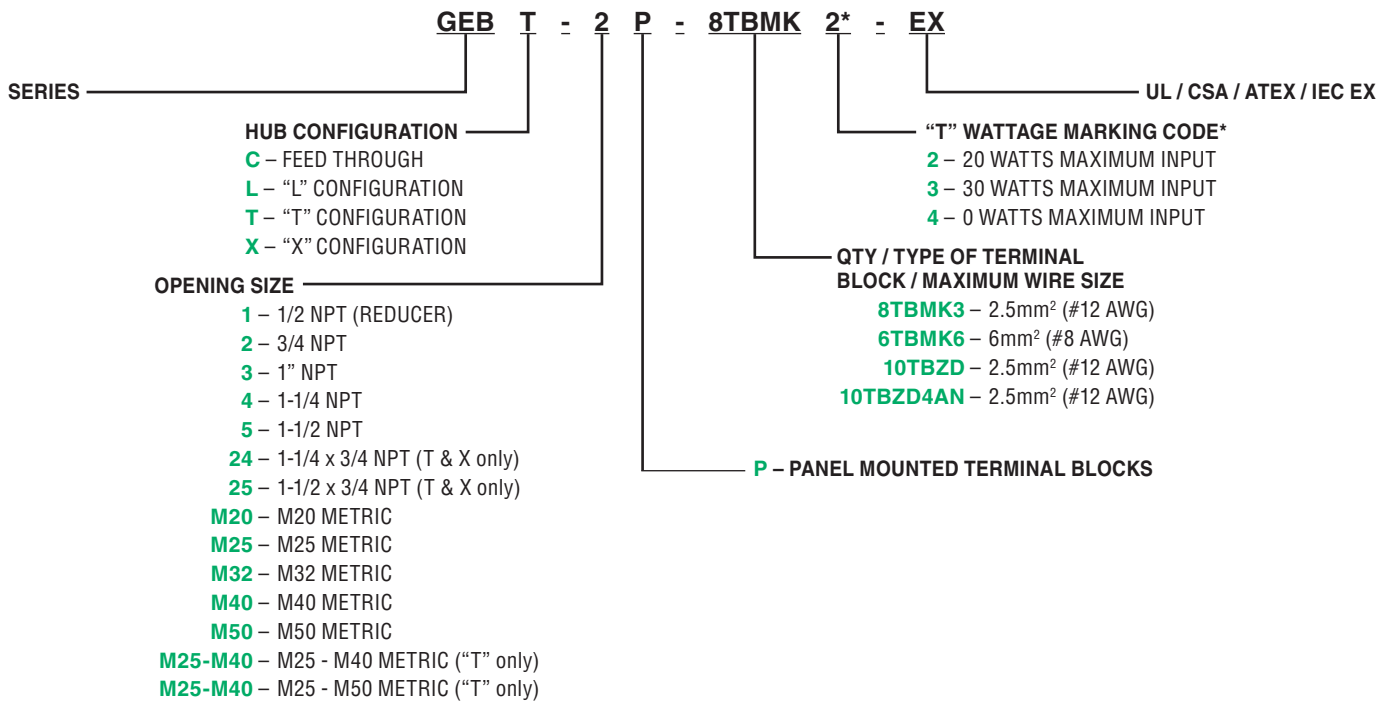
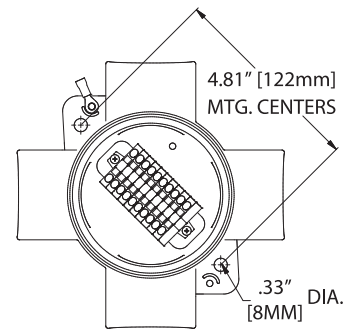
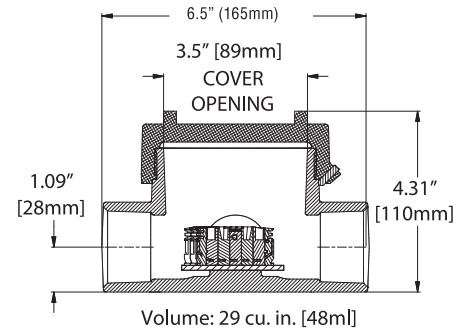
6TBMK: Weidmuller® MK6/6 Qty 6 points
UL = 300VAC, 20AMP, #22 to #10 AWG
CSA = 300VAC, 40AMP, #22 to #10 AWG
IEC = 690VAC, 41AMP, 6mm²

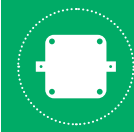
10TBZD: Weidmuller® ZDUB2.5 Qty 10 points
UL = 600VAC, 20AMP, #26 to #12 AWG
CSA = 600VAC, 25AMP, #26 to #12 AWG
IEC = 490VAC, 24AMP, 2.5mm²

10TBZD4AN: Weidmuller® ZDUB2.5/4AN/
DM 4 Connections Qty 10 points
UL = 600VAC, 20AMP, #26 to #12 AWG
CSA = 600VAC, 25AMP, #26 to #12 AWG
IEC = 690VAC, 24AMP, 2.5mm²

***T Codes Ratings / Wattage Input**

- 20 Watts of Power
Ta 48°C = T6 / T85°C
Ta 63°C = T5 / T100°C
Ta 98°C = T4 / T135°C
Ta 163°C = T3 / T200°C
- 30 Watts of Power
Ta 50°C = T5 / T100°C
Ta 85°C = T4 / T135°C
Ta 150°C = T3 / T200°C
- 40 Watts of Power
Ta 38°C = T5 / T100°C
Ta 73°C = T4 / T135°C
Ta 138°C = T3 / T200°C





ENCLOSURES
GEB SERIES

TERMINAL BOXES - UL / CSA / ATEX / IEC EX **DIN RAIL MOUNTED TERMINALS**



GEBX



GEB-TB
Terminal Box

NEC / CEC Certifications

Class I, Div. 1 & 2, Groups B, C, & D
Class I Zone 1 IIB+H2 Gb

Class II, Div. 1 & 2, Groups E, F, & G
Class III

Type 3, 4, 4X

Ta = -25°C to +40°C

Ta = -50°C to +40°C



File E83969



Certificate LR11716 - 1820607



ATEX / IEC Ex Certificate

II 2 G D CE 2813

Ex d IIC T* Gb

Ex tb IIIC T***C Db IP66

Service Temperature -40°C to +163°C

Sira 12ATEX1244

IECEX SIR 12.0107

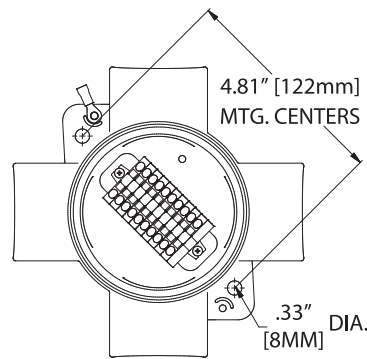
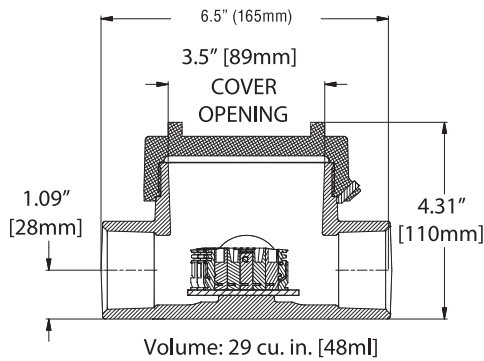
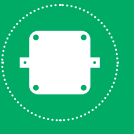
FEATURES-SPECIFICATIONS

Features

- Cover o-ring supplied as standard for Type 4X and IP66 applications
- Available in 4 configurations with either 3/4" or 1" NPT threaded hubs providing ground continuity
- Smooth integral hub bushing to protect conductor insulation when pulling
- Also available in M20 through M50 metric sizes
- External cover threads on the body protect conductors from damage during pulling
- No pinching of conductors during cover installation
- Two terminal block manufacturers to choose from: Weidmuller® and ABB®
- Three options of terminal blocks to select from
- One internal and two external grounding (earthing) screws.
- Lugs on cover for easy removal and tightening
- Available with SKK 4mm² blocks up to qty 6. The SKK are rated up to 250°C continuous service.

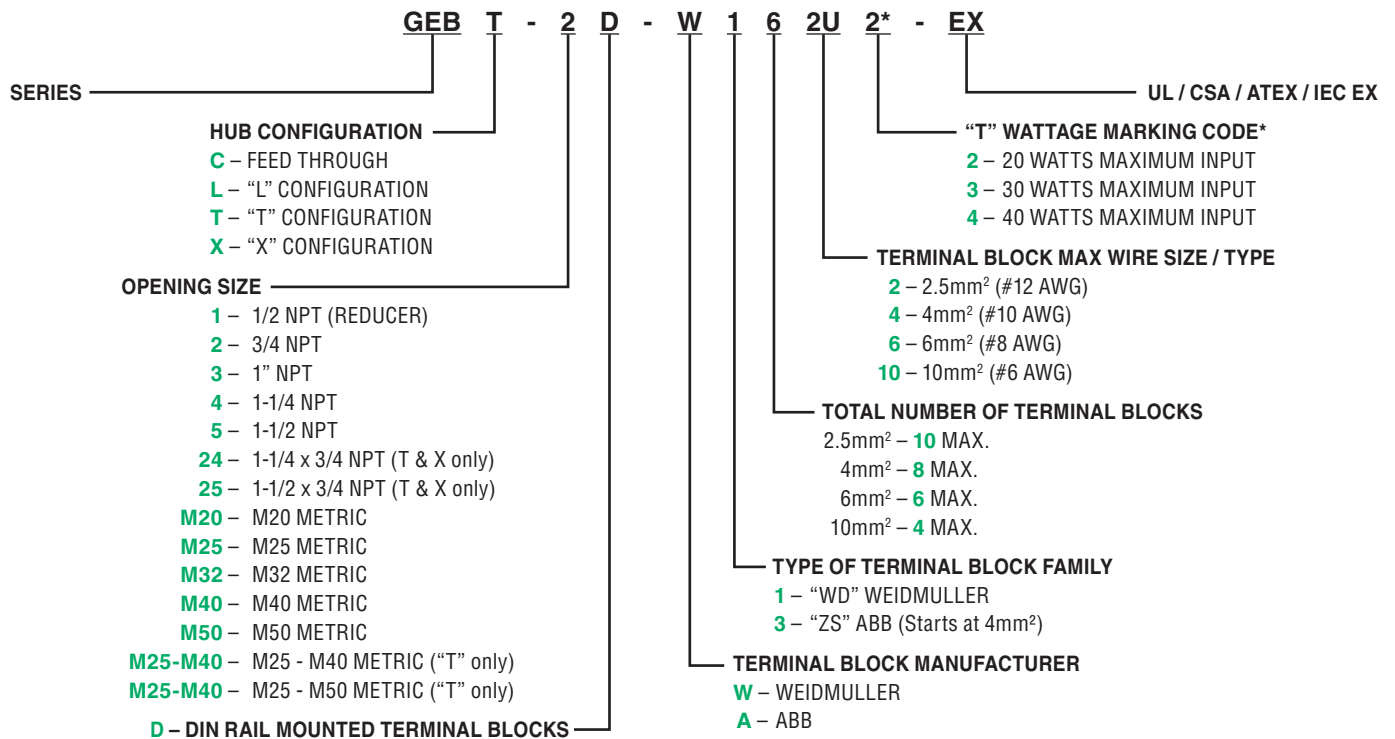
Materials

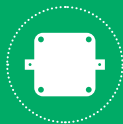
- Box and cover: Copper free aluminum (less than 1/10 of 1%)
- Finish: Electrostatically applied powder coating – Grey
- O-Ring Gasket: Nitrile compound
- Stainless steel, tamper-proof locking set screw in cover



***T Codes Ratings / Wattage Input**

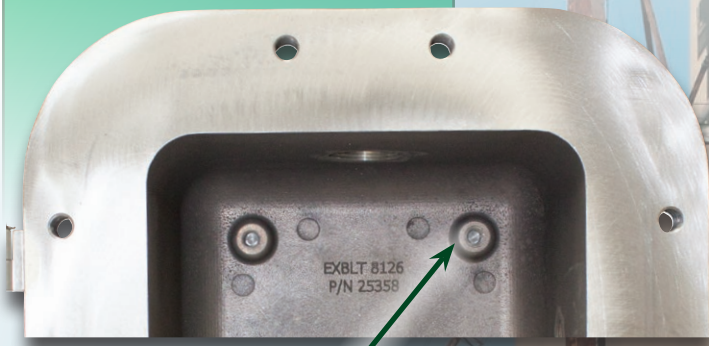
- 20 Watts of Power
Ta 48°C = T6 / T85°C
Ta 63°C = T5 / T100°C
Ta 98°C = T4 / T135°C
Ta 163°C = T3 / T200°C
- 30 Watts of Power
Ta 50°C = T5 / T100°C
Ta 85°C = T4 / T135°C
Ta 150°C = T3 / T200°C
- 40 Watts of Power
Ta 38°C = T5 / T100°C
Ta 73°C = T4 / T135°C
Ta 138°C = T3 / T200°C



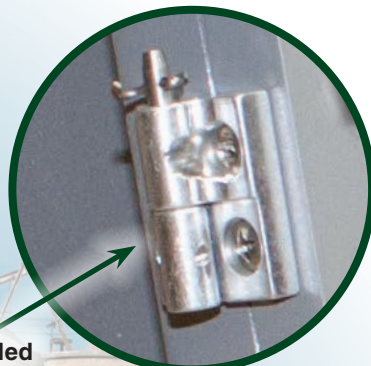


ENCLOSURES
EXBLT SERIES

EXBLT Series is up to 35% lighter than EXB Series



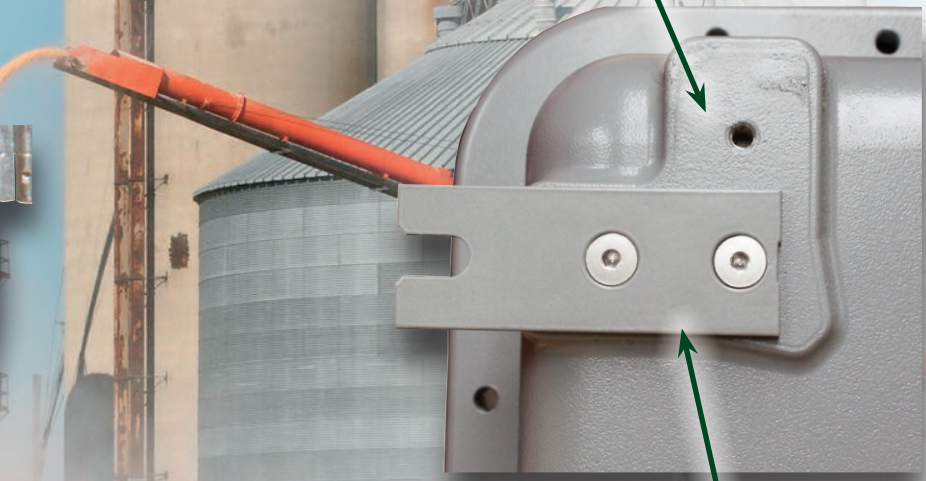
Predrilled internal mounting pan bosses. Uses same mounting pans as the EXB series.



Hinges are extruded aluminum with stainless steel pin and hardware



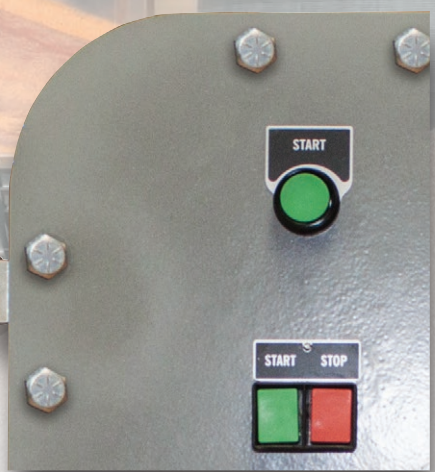
Nitrile (BUNA-N) "O" ring gasket is located inside the bolt circle for wet locations, Type 4 & IP66

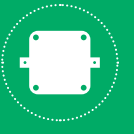


Mounting lugs can be rotated 90°

Ductile mounting lugs. Lugs are made of a ductile aluminum alloy to adjust to irregular mounting surfaces without damaging the enclosure. Easily replaced if damaged.

Fewer cover bolts required – faster in and out





JUNCTION BOXES

EXBLITE



EXBLT

Empty / Control Enclosure

NEC / CEC Certifications

Class I, Div. 1 & 2, Groups B, C, & D

Class I, Zone 1, IIB+H2

Class II, Div. 1 & 2, Groups E, F, & G

Class III

Type 3, 4, 4X

Ta = -25°C to +70°C (UL)

Ta = -50°C to +70°C (CSA)



Files E83969



File LR11716 - 1723354

ATEX Certificate



Ex d IIB+H2 Gb 6 or T5

Ex tb IIIC Db IP66 T85°C or T100°C

Ta = -50°C to +70°C

QPS 21 ATEX 0001U

QPS 21 ATEX 0002X

IEC Ex Certificate

Ex db IIB+H2 Gb T6 or T5

Ex tb IIIC Db IP66 T85°C or T100°C

Ta = -50°C to +70°C

IECEX QPS 17.0013U

IECEX QPS 17.0014X

FEATURES-SPECIFICATIONS

EXBLT- For North America and for Global Applications by Adding Suffix "CEN".

Features

- The EXBLT Series is up to 35% lighter than the EXB Series enclosures.
- Copper-free cast/plate aluminum construction. High strength, lighter in weight, highly corrosion resistant.
- Choice of two covers:
 - » Flat aluminum plate cover (EXBLTP)
 - » Original aluminum sand cast cover (EXBLTC)
- Fewer cover bolts – reduces installation and maintenance time. Offered in plated carbon steel, 316SS and 316SS Tri-Lead for quicker access.
- Gasketed cover flange as standard. Nitrile (BUNA-N) "O" ring gasket is located inside the bolt circle to prevent water from seeping into the enclosure
- Mounting lugs are made of ductile aluminum alloy to adjust to irregular mounting surfaces without damaging the enclosure. EXBLTs 8x12x6x and larger supplied with bi-directional mounting pads. Lugs can installed either horizontal or vertical by the factory or in the field. Easily replaced if damage does occur.

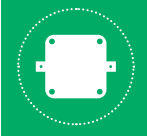
- Hinges supplied as standard on the 6x12x4, 6x12x6 8x12x6 and larger. Smaller sizes can be ordered with hinges by adding SU2 to the catalog number. Hinges can be mounted on any of the 4 sides.
- Enclosures can be drilled and tapped with conduit openings up to 2" NPT or M63 in factory or field.
- Covers can be drilled and tapped (factory or field) for GZ Series control operators openings and EXH disconnect handles. The original aluminum sand cast cover, EXBLTC, can be provided with the GLXR rectangular viewing windows and the GL round threaded viewing windows.
- Cover flanges supplied with recessed notches for prying the covers open without damaging the ground flame path
- The mounting pan bosses are pre-drilled for the factory or field installation of the optional back pans

Material/Finish

- **BOX:** Molded from 356-T6 copper free aluminum, less than ¼ of 1% copper alloy and less than 6% magnesium
- **COVER:** EXBLTP plate cover is made of 6061-T6 aluminum alloy
- **COVER:** EXBLTC cast from 310 copper free aluminum, less than ¼ of 1% copper alloy and less than 6% magnesium
- **BOLTS:** Plated carbon steel
- **HINGES:** Extruded aluminum with stainless steel pin and hardware
- **OPTIONAL:** Mounting pans sheet aluminum 6061-T6 or 5052-H34
- **OPTIONAL:** Viewing windows tempered soda lime glass
- **FINISH:** Plate cover supplied with natural finish. Box and cast cover are painted with wet lacquer

Notes:

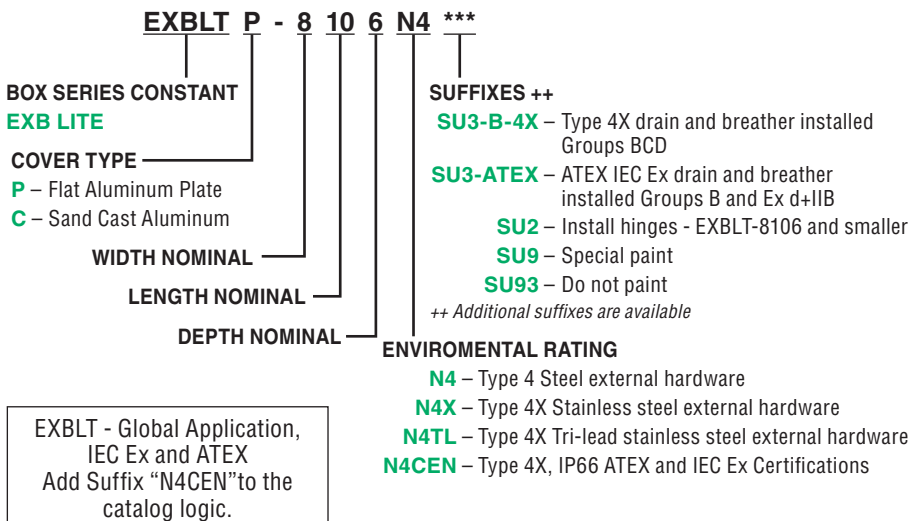
- Conduits must be sealed within 18" for Class I Group B applications
- All conduits or gland openings must be sealed adjacent to the wall for Ex d applications
- For Type 4X rating, add N4X or N4XTL



ENCLOSURES EXBLT SERIES

CATALOG LOGIC AND MODIFICATIONS

MODIFICATIONS	
SUFFIX NUMBER	DESCRIPTION
N4CEN	ATEX & IEC Ex Certifications, IP66 Type 4X
N4X	Stainless steel external hardware for Type 4X
N4TL	Tri-lead stainless steel external hardware for Type 4X
KIT-251	100 amp ground lug
KIT-252	200 amp ground lug
SU3B-QA	cCSAus, ATEX, IEC Ex drain and breather installed Class I Groups B, C, & D Ex d IIB + H2, Type 4, 4x IP66 (enclosures up to 28 liters*)
SU3B-4X	Drain and breather installed Class I Groups B, Type 4, 4X
SU2	Install hinges - EXB-8106 and smaller.
SU14	Fungus Proof Internal
SU9	Special paint
SU93	Do not paint



* For enclosures greater than 28 liters, the KBQA drain/breather can be ordered separately and new ratings are: Class I Groups C & D Ex d IIB, Type 4, 4x IP66. The chart below indicates which enclosures are less than 28 liters.

CATALOG NUMBER	NOMINAL ENCLOSURE INSIDE DIMENSIONS W" L" D" (MM)	MAXIMUM SIZES - NPT / METRIC	OPTIONAL MOUNTING PAN NUMBER	MAXIMUM NUMBER OF OPERATORS	EXBLTP WEIGHT LBS (KGS)	EXBLTC WEIGHT LBS (KGS)	EXBLTP HINGES	EXBLTC HINGES
EXBLT*-664 N4*	6x6x4 (152x152x102)	2" / M63	7997-5	2 rows of 2 = 4	18.2 (8.3)	20.4 (9.3)	HINGE-12L	HINGE-12L
EXBLT*-684 N4*	6x8x4 (152x203x102)	2" / M63	7997-1	2 rows of 3 = 6	21.1 (9.6)	22.7 (10.3)	HINGE-12L	HINGE-12L
EXBLT*-686 N4*	6x8x6 (152x203x152)	2" / M63	7997-1	2 rows of 3 = 6	23.7 (10.8)	25.3 (11.5)	HINGE-12L	HINGE-12L
EXBLT*-6124 N4*	6x12x4 (152x305x102)	2" / M63	7997-6	4 rows of 2 = 8	29.2 (13.2)	39.2 (17.8)	HINGE-12L	HINGE-12L
EXBLT*-6126 N4*	6x12x6 (152x305x152)	2" / M63	7997-6	4 rows of 2 = 8	32.6 (14.8)	42.6 (19.3)	HINGE-12L	HINGE-12L
EXBLT*-886 N4*	8x8x6 (203x203x152)	2" / M63	7996-1	3 rows of 3 = 9	27.9 (12.7)	32.6 (17.8)	HINGE-12L	HINGE-12L
EXBLT*-8104 N4*	8x10x4 (203x254x102)	2" / M63	7996-2	4 rows of 3 = 12	28.6 (13)	35.5 (16.1)	HINGE-12L	HINGE-12L
EXBLT*-8106 N4*	8x10x6 (203x254x152)	2" / M63	7996-2	4 rows of 3 = 12	31.9 (14.5)	38.8 (17.6)	HINGE-12L	HINGE-12L
EXBLT*-8126 N4*	8x12x6 (203x305x152)	2" / M63	17619	4 rows of 3 = 12	46.9 (21.3)	58.3 (26.4)	HINGE-12L	HINGE-11L
EXBLT*-8128 N4*	8x12x8 (203x305x203)	2" / M63	17619	4 rows of 3 = 12	51.6 (23.4)	63 (28.6)	HINGE-12L	HINGE-11L
EXBLT*-9116 N4*	9x11x6 (229x280x152)	2" / M63	25803	4 rows of 3 = 12	36.2 (16.4)	42.5 (19.3)	HINGE-12L	HINGE-12L
EXBLT*-10106 N4*	10x10x6 (254x254x152)	2" / M63	17618	4 rows of 3 = 12	48.8 (22.1)	64.5 (29.3)	HINGE-12L	HINGE-11L
EXBLT*-10108 N4*	10x10x8 (254x254x203)	2" / M63	17618	4 rows of 3 = 12	53.5 (24.3)	69.2 (31.4)	HINGE-12L	HINGE-11L
EXBLT*-10146 N4*	10x14x6 (254x356x152)	2" / M63	17617	5 rows of 3 = 15	59.7 (27.07)	77.9 (35.3)	HINGE-12L	HINGE-11L
EXBLT*-10148 N4*	10x14x8 (254x356x203)	2" / M63	17617	5 rows of 3 = 15	65.3 (29.6)	83.5 (37.9)	HINGE-12L	HINGE-11L
EXBLT*-12126 N4*	12x12x6 (305x305x152)	2" / M63	7988-1	4 rows of 4 = 16	55 (25)	71.8 (32.6)	HINGE-12L	HINGE-11L
EXBLT*-12128 N4*	12x12x6 (305x305x203)	2" / M63	7988-1	4 rows of 4 = 16	60.3 (27.4)	77.1 (35)	HINGE-12L	HINGE-11L
EXBLT*-12186 N4*	12x18x6 (305x457x152)	2" / M63	15515	7 rows of 4 = 28	82 (37.2)	93 (42.2)	HINGE-11L	HINGE-11L
EXBLT*-12188 N4	12x18x8 (305x457x203)	2" / M63	15515	7 rows of 4 = 28	89 (40.7)	100 (45.4)	HINGE-11L	HINGE-11L
EXBLT*-12246 N4*	12x24x6 (305x610x152)	4" / M100	7988-4	9 rows of 4 = 36	110 (50)	133 (60.3)	HINGE-11L	HINGE-11L
EXBLT*-12248 N4	12x24x8 (305x610x203)	4" / M100	7988-4	9 rows of 4 = 36	122 (55.4)	145 (65.8)	HINGE-11L	HINGE-11L
EXBLT*-14148 N4*	14x14x8 (356x356x203)	2" / M63	17621	5 rows of 5 = 25	88 (40)	108 (49)	HINGE-11L	HINGE-11L
EXBLT*-14248 N4	14x24x8 (406x610x203)	4" / M100	51705-1	9 rows of 5 = 45	142 (64.4)	N/A	HINGE-11L	HINGE-11L
EXBLT*-14308 N4	14x30x8 (406x762x203)	4" / M100	51698-1	11 rows of 5 = 55	166 (75.3)	N/A	HINGE-11L	HINGE-11L
EXBLT*-16168 N4	16x16x8 (406x406x203)	2" / M63	7995-1	6 rows of 6 = 36	98 (44.4)	118 (53.5)	HINGE-11L	HINGE-11L
EXBLT*-16248 N4	16x24x8 (406x610x203)	5" / M100	17622	8 rows of 5 = 40	166 (75.3)	213 (96.6)	HINGE-11L	HINGE-11L

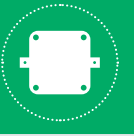
* Add "P" for aluminum plate cover. Add "C" for sand cast cover. Cast cover not available for 14x24x8 and 14x30x8 sizes.

+ Enclosures less than 28 liters. KBQA breather/drain rated for Class I Groups B, C, & D Ex d IIB + H2, Type 4, 4x IP66.

Mounting Pan - Order mounting pan as separate item and specify if factory of field installed.

Note: For Group B applications all conduit must be sealed within 18" of enclosure wall.

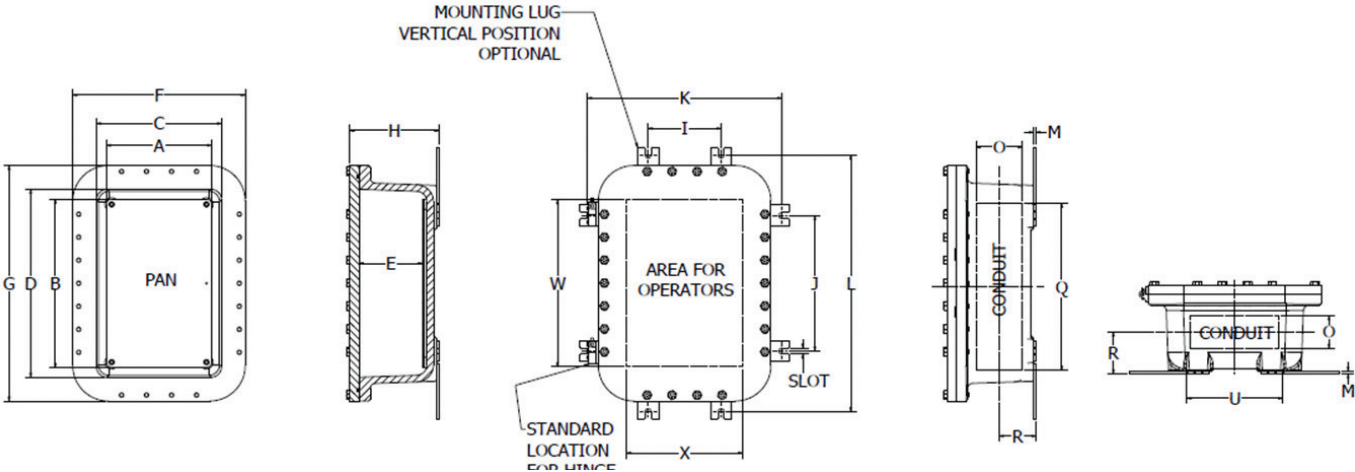
Note: For IEC Ex applications all conduit must be sealed at the wall of the enclosure.

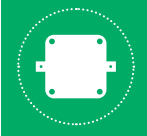


DIMENSIONS

ENCLOSURE CATALOG NUMBER	INTERNAL DIMENSIONS - INCHES (MM)						EXTERNAL DIMENSIONS - INCHES (MM)			
	PAN		AVAILABLE EQUIPMENT SPACE				F	G	H ("P" PLATE)	H ("C" CAST)
	A	B	C	D	E ("P" PLATE)	E ("C" CAST)				
EXBLT-664 N4	5 (127)	5 (127)	6 (152)	6 (152)	4 (102)	4.25 (108)	10.32 (262)	10.32 (262)	5.94 (151)	6.18 (157)
EXBLT-684 N4	5 (127)	7 (178)	6 (152)	8 (203)	4 (102)	4.32 (110)	10.25 (260)	12.25 (311)	5.88 (149)	6.13 (156)
EXBLT-686 N4	5 (127)	7 (178)	6 (152)	8 (203)	6 (152)	6.32 (160)	10.25 (260)	12.25 (311)	7.88 (200)	8.13 (206)
EXBLT-6124 N4	5 (127)	11 (279)	6.25 (159)	12.25 (311)	4 (102)	4.56 (116)	10.69 (272)	16.69 (424)	5.88 (149)	6.75 (171)
EXBLT-6126 N4	5 (127)	11 (279)	6.25 (159)	12.25 (311)	6 (152)	6.56 (167)	10.69 (272)	16.69 (424)	7.88 (200)	8.75 (222)
EXBLT-886 N4	7 (178)	7 (178)	8 (203)	8 (203)	6 (152)	6.16 (156)	12.32 (313)	12.32 (313)	7.94 (202)	8.34 (212)
EXBLT-8104 N4	7 (178)	9 (229)	8 (203)	10 (254)	4 (102)	4.18 (106)	12.32 (313)	14.32 (364)	5.94 (151)	6.53 (166)
EXBLT-8106 N4	7 (178)	9 (229)	8 (203)	10 (254)	6 (152)	6.18 (157)	12.32 (313)	14.32 (364)	7.94 (202)	8.53 (217)
EXBLT-8126 N4	7 (178)	11 (279)	8.5 (216)	12.5 (318)	6 (152)	6.6 (167)	13.25 (337)	17.25 (438)	8 (203)	8.88 (225)
EXBLT-8128 N4	7 (178)	11 (279)	8.5 (216)	12.5 (318)	8 (203)	8.6 (218)	13.25 (337)	17.25 (438)	10 (254)	10.88 (276)
EXBLT-9116 N4	8 (203)	10 (254)	9 (229)	11 (279)	6 (152)	6.18 (157)	13.32 (338)	15.32 (389)	7.94 (202)	8.53 (217)
EXBLT-10106 N4	9 (229)	9 (229)	10.5 (267)	10.5 (267)	6 (152)	6.41 (163)	15.25 (387)	15.25 (387)	8.18 (208)	9.13 (232)
EXBLT-10108 N4	9 (229)	9 (229)	10.5 (267)	10.5 (267)	8 (203)	8.41 (214)	15.25 (387)	15.25 (387)	10.18 (259)	11.13 (284)
EXBLT-10146 N4	9 (229)	13 (330)	10.5 (267)	14.5 (368)	6 (152)	6.22 (158)	15.25 (387)	19.25 (489)	8.18 (208)	9.13 (232)
EXBLT-10148 N4	9 (229)	13 (330)	10.5 (267)	14.5 (368)	8 (203)	8.22 (209)	15.25 (387)	19.25 (489)	10.18 (259)	11.13 (284)
EXBLT-12126 N4	10.5 (267)	10.5 (267)	11.87(301)	11.87(301)	6 (152)	6.3 (160)	16.38 (416)	16.38 (416)	8.18 (208)	9.06 (230)
EXBLT-12128 N4	10.5 (267)	10.5 (267)	11.87(301)	11.87(301)	8 (203)	8.3 (211)	16.38 (416)	16.38 (416)	10.18 (259)	11.06 (281)
EXBLT-12186 N4	10 (254)	16 (406.4)	11.88 (301)	17.88 (454)	6 (152)	6.09 (155)	16.38 (416)	22.38 (568.4)	8.44 (214.4)	8.97 (228)
EXBLT-12188 N4	10 (254)	16 (406.4)	11.88 (301)	17.88 (454)	8 (203)	8.09 (206)	16.38 (416)	22.38 (568.4)	10.44 (265)	10.97 (279)
EXBLT-12246 N4	10.25 (260)	22.25 (565)	11.88 (301)	23.88 (606)	6 (152)	6.13 (156)	16.38 (416)	28.38 (722)	8.57 (218)	9.28 (236)
EXBLT-12248 N4	10.25 (260)	22.25 (565)	11.88 (301)	23.88 (606)	8 (203)	8.13 (206)	16.38 (416)	28.38 (722)	10.57 (268.5)	11.28 (286)
EXBLT-14148 N4	13 (330)	13 (330)	14.5 (368)	14.5 (368)	8 (203)	8.34 (212)	19.25 (489)	19.25 (489)	10.44 (265)	11.34 (288)
EXBLT-14248 N4	13 (330)	22.25 (565)	14.5 (368)	24.5 (622)	8 (203)	N/A	19.25 (489)	29.25 (743)	10.57 (268.5)	N/A
EXBLT-14308 N4	13 (330)	29 (736)	14.5 (368)	30.5 (775)	8 (203)	N/A	19.25 (489)	35.25 (895.3)	10.57 (268.5)	N/A
EXBLT-16168 N4	14 (355)	14 (355)	15.88 (403)	15.88 (403)	8 (203)	8.14 (207)	20.38 (518)	20.38 (518)	10.44 (265)	11.11 (282)
EXBLT-16248 N4	15 (381)	23 (584)	16.5 (419)	24.5 (622)	8 (203)	8.34 (212)	21.25 (540)	29.25 (743)	10.69 (271.5)	11.91 (302)

All dimensions in. (mm)



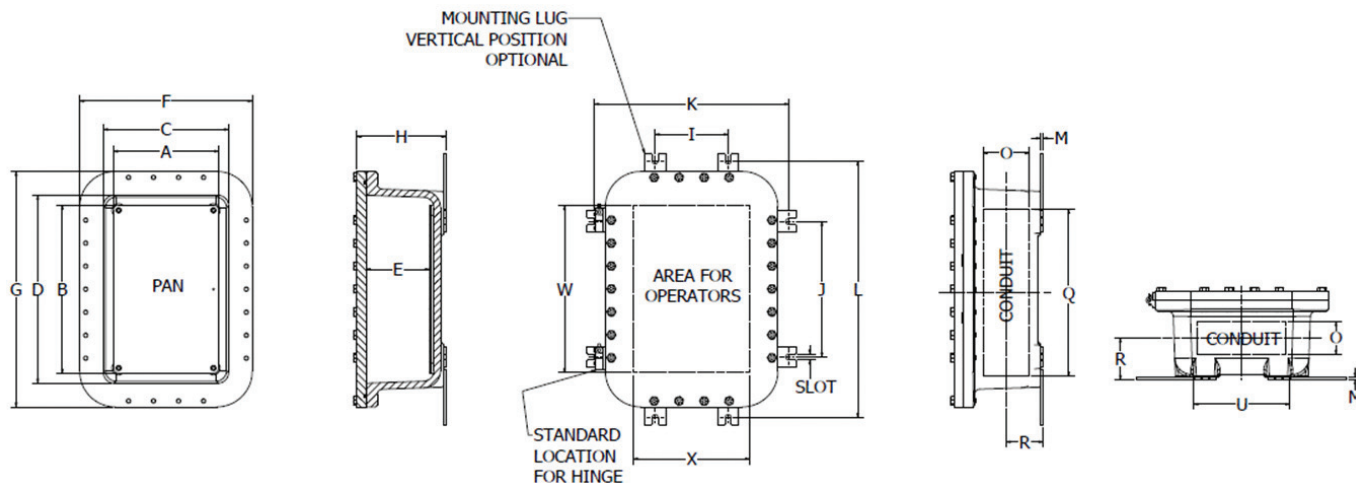


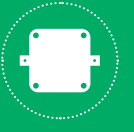
ENCLOSURES EXBLT SERIES

ENCLOSURE CATALOG NUMBER	MOUNTING DIMENSIONS - INCHES (MM)						CONDUIT AREA - INCHES (MM)					OPERATOR AREA SPECIFICATION	
							SIDE WALL		CENTER	TOP/BOTTOM WALL			
	I	J	K	L	M	SLOT WIDTH	O	Q	R	S	U	W	X
EXBLT-664 N4	N/A	4 (102)	7.88 (200)	N/A	0.19 (5)	0.44 (11)	2.81 (71)	4.72 (120)	2.75 (70)	4.72 (120)	2.5 (63)	5 (127)	5 (127)
EXBLT-684 N4	N/A	4 (102)	7.88 (200)	N/A	0.19 (5)	0.44 (11)	2.81 (71)	6.59 (167)	2.75 (70)	4.59 (117)	2.5 (63)	5 (127)	5 (127)
EXBLT-686 N4	N/A	4 (102)	7.88 (200)	N/A	0.19 (5)	0.44 (11)	4.81 (122)	6.59 (167)	3.75 (95)	4.59 (117)	2.5 (63)	5 (127)	5 (127)
EXBLT-6124 N4	N/A	7.82 (199)	7.88 (200)	N/A	0.19 (5)	0.44 (11)	2.81 (71)	10.84 (275)	2.75 (70)	4.84 (123)	2.5 (63)	5 (127)	5 (127)
EXBLT-6126 N4	N/A	7.82 (199)	7.88 (200)	N/A	0.19 (5)	0.44 (11)	4.81 (122)	10.84 (275)	3.75 (95)	4.84 (123)	2.5 (63)	5 (127)	5 (127)
EXBLT-886 N4	N/A	6 (152)	9.88 (251)	N/A	0.19 (5)	0.44 (11)	4.81 (122)	6.56 (167)	3.75 (95)	6.56 (167)	2.5 (63)	7(178)	7 (178)
EXBLT-8104 N4	N/A	8 (203)	9.88 (251)	N/A	0.19 (5)	0.44 (11)	2.81 (71)	8.56 (217)	2.75 (70)	6.56 (167)	2.5 (63)	7(178)	7 (178)
EXBLT-8106 N4	N/A	8 (203)	9.88 (251)	N/A	0.19 (5)	0.44 (11)	4.81 (122)	8.56 (217)	3.75 (95)	6.56 (167)	2.5 (63)	7(178)	7 (178)
EXBLT-8126 N4	3.82 (97)	7.82 (199)	10.38 (264)	14.38 (365)	0.19 (5)	0.44 (11)	3.94 (100)	10.13 (257)	3.95 (100)	6.13 (156)	2.5 (63)	7(178)	7 (178)
EXBLT-8128 N4	3.82 (97)	7.82 (199)	10.38 (264)	14.38 (365)	0.19 (5)	0.44 (11)	5.94 (151)	9.97 (253)	4.95 (126)	5.97 (152)	2.5 (63)	7(178)	7 (178)
EXBLT-9116 N4	N/A	7.5 (191)	10.88 (276)	N/A	0.19 (5)	0.44 (11)	4.81 (122)	9.56 (243)	3.81 (97)	7.56 (192)	2.5 (63)	8 (203)	8 (203)
EXBLT-10106 N4	4.94 (125)	4.94 (125)	12.94 (329)	12.94 (329)	0.25 (6)	0.56 (14)	3.94 (100)	8.13 (206)	4.09 (104)	8.13 (206)	2.5 (63)	9 (229)	9 (229)
EXBLT-10108 N4	4.94 (125)	4.94 (125)	12.94 (329)	12.94 (329)	0.25 (6)	0.56 (14)	5.94 (151)	7.97 (202)	5.09 (129)	7.97 (202)	2.5 (63)	9 (229)	9 (229)
EXBLT-10146 N4	4.94 (125)	8.94 (227)	12.94 (329)	16.94 (430)	0.25 (6)	0.56 (14)	3.94 (100)	12.13 (308)	4.09 (104)	8.13 (206)	2.5 (63)	9 (229)	9 (229)
EXBLT-10148 N4	4.94 (125)	8.94 (227)	12.94 (329)	16.94 (430)	0.25 (6)	0.56 (14)	5.94 (151)	11.97 (303)	5.09 (129)	7.97 (202)	2.5 (63)	9 (229)	9 (229)
EXBLT-12126 N4	6.94 (176)	6.94 (176)	14.94 (379)	14.94 (379)	0.25 (6)	0.56 (14)	3.94 (100)	9.5 (241)	4.09 (104)	9.5 (241)	2.5 (63)	10 (254)	10 (254)
EXBLT-12128 N4	6.94 (176)	6.94 (176)	14.94 (379)	14.94 (379)	0.25 (6)	0.56 (14)	5.94 (151)	9.34 (237)	5.09 (129)	9.34 (237)	2.5 (63)	10 (254)	10 (254)
EXBLT-12186 N4	6.94 (176)	12.88 (327)	14.94 (379)	20.88 (530)	0.25 (6)	0.56 (14)	3.88 (98)	15.5 (394)	4.03 (102)	9.5 (241)	2.5 (63)	10 (254)	10 (254)
EXBLT-12188 N4	6.94 (176)	12.88 (327)	14.94 (379)	20.88 (530)	0.25 (6)	0.56 (14)	5.88 (149)	15.34 (390)	5.03 (128)	9.34 (237)	2.5 (63)	10 (254)	10 (254)
EXBLT-12246 N4	6.94 (176)	18.88 (480)	14.91 (379)	26.88 (683)	0.25 (6)	0.56 (14)	3.88 (98)	21.5 (546)	4.03 (102)	9.5 (241)	2.5 (63)	10 (254)	10 (254)
EXBLT-12248 N4	6.94 (176)	18.88 (480)	14.91 (379)	26.88 (683)	0.25 (6)	0.56 (14)	5.88 (149)	21.34 (542)	5.03 (128)	9.34 (237)	2.5 (63)	10 (254)	10 (254)
EXBLT-14148 N4	9.00 (229)	9.00 (229)	17 (432)	17 (432)	0.25 (6)	0.56 (14)	5.94 (151)	11.97 (304)	5.09 (129)	11.97 (304)	2.5 (63)	13 (330)	13 (330)
EXBLT-14248 N4	9.00 (229)	19.38 (492)	17 (432)	27.38 (695)	0.25 (6)	0.56 (14)	5.88 (149)	21.97 (686)	5.16 (131)	11.97 (304)	2.5 (63)	13 (330)	13 (330)
EXBLT-14308 N4	9.00 (229)	26.25 (668)	17 (432)	34.25 (870)	0.25 (6)	0.56 (14)	5.94 (151)	27.97 (710)	5.19 (132)	11.97 (304)	2.5 (63)	13 (330)	13 (330)
EXBLT-16168 N4	10.94 (278)	10.94 (278)	17.19 (437)	18.94 (481)	0.25 (6)	0.56 (14)	5.94 (151)	13.34 (339)	5.06 (129)	13.34 (339)	2.5 (63)	14 (356)	14 (356)
EXBLT-16248 N4	10.94 (278)	19.38 (492)	19.38 (492)	27.38 (695)	0.25 (6)	0.56 (14)	5.94 (151)	21.97 (686)	5.31 (135)	13.97 (355)	2.5 (63)	14 (356)	14 (356)

Use "LONG" style GZ Series Operators

All dimensions in. (mm)





CONDUIT OPENING DATA

Instructions

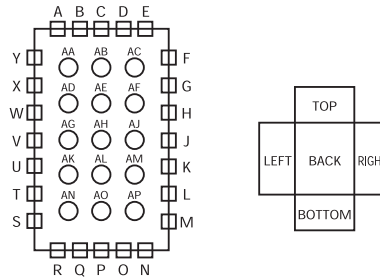
Drilled and tapped conduit openings will be evenly spaced and located in the area indicated on the location chart. Critical conduit opening locations may be indicated by supplying a diagram similar to the one shown at right indicating critical dimensions and locations. Specific conduit openings must be located dimensionally from box centerlines to conduit centerlines and from outside back surface of box to conduit centerline.

Ordering Information:

- (1) Select the letter on location chart which indicates conduit opening position desired.
- (2) Select symbol number from chart which indicates conduit opening type and size.

- (3) Combine the conduit location letter, size and type number, and add as a suffix to junction box catalog number.

Example: EXB-12248 N34-C3-J5-PI3-AH4



Drawing indicates position as looking into open face of box with short side (top) up.

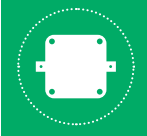
EXB/EXBLT/B7/GR SYMBOL NUMBERS		
CONDUIT SIZE	CONDUIT OPENINGS DRILLED AND TAPPED	UNION
1/2"	1	11
3/4"	2	12
1"	3	13
1-1/4"	4	14
1-1/2"	5	15
2"	6	16
2-1/2"	7	17
3"	8	18
3-1/2"	9	19
4"	0	10
5"	02	—
6"	04	—

Union = GUM series male NPT unions

EXB/EXBLT/B7/GR - MINIMUM CENTER TO CENTER SPACING FOR DRILLED AND TAPPED OPENINGS AND UNION HUBS													
NPT (METRIC)	SPACE CENTERS	1/2" (M16)	3/4" (M20)	1" (M25)	1-1/4" (M32)	1-1/2" (M40)	2" (M50)	2-1/2" (M63)	3" (M75)	3-1/2" (M80)	4" (M100)	5"	6"
1/2" (M16)	MIN	1.18 (30)	—	—	—	—	—	—	—	—	—	—	—
	PRE	1.38 (35)	—	—	—	—	—	—	—	—	—	—	—
	GU	1.63 (41)	—	—	—	—	—	—	—	—	—	—	—
3/4" (M20)	MIN	1.38 (35)	1.5 (38)	—	—	—	—	—	—	—	—	—	—
	PRE	1.5 (38)	1.63 (41)	—	—	—	—	—	—	—	—	—	—
	GU	1.75 (44)	1.81 (46)	—	—	—	—	—	—	—	—	—	—
1" (M25)	MIN	1.5 (38)	1.75 (44)	1.81 (46)	—	—	—	—	—	—	—	—	—
	PRE	1.75 (44)	1.88 (48)	2 (108)	—	—	—	—	—	—	—	—	—
	GU	1.88 (48)	2 (108)	2.13 (54)	—	—	—	—	—	—	—	—	—
1-1/4" (M32)	MIN	1.69 (43)	1.94 (49)	2.06 (52)	2.31 (59)	—	—	—	—	—	—	—	—
	PRE	1.94 (49)	2.06 (52)	2.25 (57)	2.5 (64)	—	—	—	—	—	—	—	—
	GU	2.06 (52)	2.25 (57)	2.31 (59)	2.5 (64)	—	—	—	—	—	—	—	—
1-1/2" (M40)	MIN	1.94 (49)	2.06 (52)	2.19 (56)	2.5 (64)	2.63 (67)	—	—	—	—	—	—	—
	PRE	2.13 (54)	2.25 (57)	2.38 (60)	2.63 (67)	2.75 (70)	—	—	—	—	—	—	—
	GU	2.19 (56)	2.28 (58)	2.44 (62)	2.63 (67)	2.75 (70)	—	—	—	—	—	—	—
2" (M50)	MIN	2.25 (57)	2.38 (60)	2.56 (65)	2.81 (71)	2.94 (75)	3.19 (81)	—	—	—	—	—	—
	PRE	2.38 (60)	2.5 (64)	2.75 (70)	3 (76)	3.13 (97)	3.38 (86)	—	—	—	—	—	—
	GU	2.5 (64)	2.59 (66)	2.75 (70)	3 (76)	3.13 (97)	3.38 (86)	—	—	—	—	—	—
2-1/2" (M63)	MIN	2.44 (62)	2.56 (65)	2.75 (70)	3 (76)	3.13 (97)	3.38 (86)	3.63 (92)	—	—	—	—	—
	PRE	2.63 (67)	2.75 (70)	3 (76)	3.25 (82)	3.38 (86)	3.63 (92)	4 (102)	—	—	—	—	—
	GU	3.13 (97)	3.22 (82)	3.38 (86)	3.56 (90)	3.69 (94)	4 (102)	4.63 (117)	—	—	—	—	—
3" (M75)	MIN	2.81 (71)	2.94 (75)	3.06 (78)	3.31 (84)	3.44 (87)	3.75 (95)	4 (102)	4.31 (110)	—	—	—	—
	PRE	3 (76)	3.13 (97)	3.38 (86)	3.63 (92)	3.75 (95)	4 (102)	4.38 (111)	4.75 (121)	—	—	—	—
	GU	3.56 (90)	3.66 (93)	3.81 (97)	4 (102)	4.13 (105)	4.44 (113)	5.06 (129)	5.5 (140)	—	—	—	—
3-1/2" (M80)	MIN	3.13 (97)	3.25 (82)	3.38 (86)	3.63 (92)	3.75 (95)	4.06 (103)	4.31 (110)	4.63 (117)	4.94 (125)	—	—	—
	PRE	3.38 (86)	3.5 (89)	3.63 (92)	3.88 (98)	4 (102)	4.38 (111)	4.63 (117)	5 (127)	5.38 (136)	—	—	—
	GU	4 (102)	4.09 (104)	4.25 (108)	4.44 (113)	4.56 (116)	4.88 (124)	5.5 (140)	5.94 (151)	6.38 (162)	—	—	—
4" (M100)	MIN	3.44 (87)	3.56 (90)	3.69 (94)	3.94 (100)	4.06 (103)	4.38 (111)	4.63 (117)	4.94 (125)	5.25 (133)	5.56 (141)	—	—
	PRE	3.75 (95)	3.88 (98)	4 (102)	4.25 (108)	4.38 (111)	4.75 (121)	5 (127)	5.75 (146)	5.63 (143)	6 (152)	—	—
	GU	4 (102)	4.09 (104)	4.25 (108)	4.44 (113)	4.56 (116)	4.88 (124)	5.5 (140)	5.94 (151)	6.38 (162)	6.38 (162)	—	—
5"	MIN	4.13 (105)	4.25 (108)	4.38 (111)	4.63 (117)	4.75 (121)	5 (127)	5.25 (133)	5.56 (141)	5.88 (149)	6.19 (157)	6.19 (157)	—
	PRE	4.38 (111)	4.5 (114)	4.63 (117)	4.88 (124)	5 (127)	5.38 (136)	5.63 (143)	6 (152)	6.25 (159)	6.63 (168)	7.25 (184)	—
	GU	5 (127)	5.13 (130)	5.25 (133)	5.5 (140)	5.63 (143)	6 (152)	6.25 (159)	6.63 (168)	7 (178)	7.25 (184)	8 (203)	8.63 (220)
6"	MIN	4.75 (121)	4.88 (124)	5 (127)	5.25 (133)	5.38 (136)	5.63 (143)	5.88 (149)	6.19 (157)	6.5 (165)	6.81 (173)	7.44 (190)	8.13 (206)
	PRE	5 (127)	5.13 (130)	5.25 (133)	5.5 (140)	5.63 (143)	6 (152)	6.25 (159)	6.63 (168)	7 (178)	7.25 (184)	8 (203)	8.63 (220)
	GU	5 (127)	5.13 (130)	5.25 (133)	5.5 (140)	5.63 (143)	6 (152)	6.25 (159)	6.63 (168)	7 (178)	7.25 (184)	8 (203)	8.63 (220)
LOCKNUT O.D.		1.25 (32)	1.13 (29)	1.69 (43)	2.19 (56)	2.44 (62)	3 (76)	3.44 (87)	4.19 (106)	4.81 (122)	5.38 (136)	6.69 (170)	7.94 (202)
CONDUIT BUSHING		1 (25)	1.25 (32)	1.5 (38)	1.88 (48)	2.13 (54)	2.63 (67)	3.19 (81)	3.88 (98)	4.44 (113)	5 (127)	6.25 (159)	7.38 (187)
CONDUIT O.D.			1.06 (27)	1.38 (35)	1.69 (43)	1.94 (49)	2.38 (60)	2.88 (73)	3.5 (89)	4 (102)	4.5 (114)	5.56 (141)	6.63 (168)

All dimension in. (mm)

MIN: The minimum space required to provide enough clearance over locknuts and bushings.
PRE: The preferred more liberal center to center spacing of openings. To be used whenever possible.
GU: The required spacing between openings using GUM Series male NPT unions.



ENCLOSURES
EXBLT SERIES

REPLACEMENT PARTS

REPLACEMENT PARTS										
ENCLOSURE CATALOG NUMBER	COVER GASKET	MOUNTING LUG KIT (Contains four mounting lugs and hardware)	COVER BOLTS – SOLD PER EACH						HINGES	
			NO. OF BOLTS PER ENCLOSURE	CARBON STEEL “N4”	316 STAINLESS STEEL “N4X”	316 STAINLESS STEEL TRI-LEAD PLATE COVERS “N4XTL”	316 STAINLESS STEEL TRI-LEAD CAST COVERS “N4XTL”	ATEX IEC EX 316 STAINLESS STEEL “N4CEN”	EXBLTP BOXES (*) ADD “L” FOR LEFT OR “R” FOR RIGHT	EXBLTC BOXES (*) ADD “L” FOR LEFT OR “R” FOR RIGHT
EXBLT*-664 N4	EXB66RG	EXB-MTL1	8	0725115B	25952BAAB	xxxxx	xxxxx	20790AAAB	HINGE-12*	HINGE-12*
EXBLT*-684 N4	EXB68RG	EXB-MTL1	10	0725115B	25952BAAB	xxxxx	xxxxx	20790AAAB	HINGE-12*	HINGE-12*
EXBLT*-686 N4	EXB68RG	EXB-MTL1	10	0725115B	25952BAAB	xxxxx	xxxxx	20790AAAB	HINGE-12*	HINGE-12*
EXBLT*-6124 N4	EXB612RG	EXB-MTL1	12	0720361B	25952AAAB	25904AAAB	17339AAAB	20790BAAB	HINGE-12*	HINGE-12*
EXBLT*-6126 N4	EXB612RG	EXB-MTL1	12	0720361B	25952AAAB	25904AAAB	17339AAAB	20790BAAB	HINGE-12*	HINGE-12*
EXBLT*-886 N4	EXB88RG	EXB-MTL1	12	0725115B	25952BAAB	xxxxx	xxxxx	20790AAAB	HINGE-12*	HINGE-12*
EXBLT*-8104 N4	EXB810RG	EXB-MTL1	14	0725115B	25952BAAB	xxxxx	xxxxx	20790AAAB	HINGE-12*	HINGE-12*
EXBLT*-8106 N4	EXB810RG	EXB-MTL1	14	0725115B	25952BAAB	xxxxx	xxxxx	20790AAAB	HINGE-12*	HINGE-12*
EXBLT*-8126 N4	EXB812RG	EXB-MTL1	12	0720361B	25952AAAB	25904AAAB	17339AAAB	20790BAAB	HINGE-12*	HINGE-11*
EXBLT*-8128 N4	EXB812RG	EXB-MTL1	12	0720361B	25952AAAB	25904AAAB	17339AAAB	20790BAAB	HINGE-12*	HINGE-11*
EXBLT*-9116 N4	EXB911RG	EXB-MTL1	14	0725115B	25952BAAB	xxxxx	xxxxx	20790AAAB	HINGE-12*	HINGE-12*
EXBLT*-10106 N4	EXB1010RG	EXB-MTL2	12	0720361B	25952AAAB	25904AAAB	17339AAAB	20790BAAB	HINGE-12*	HINGE-11*
EXBLT*-10108 N4	EXB1010RG	EXB-MTL2	12	0720361B	25952AAAB	25904AAAB	17339AAAB	20790BAAB	HINGE-12*	HINGE-11*
EXBLT*-10146 N4	EXB1014RG	EXB-MTL2	16	0720361B	25952AAAB	25904AAAB	17339AAAB	20790BAAB	HINGE-12*	HINGE-11*
EXBLT*-10148 N4	EXB1014RG	EXB-MTL2	16	0720361B	25952AAAB	25904AAAB	17339AAAB	20790BAAB	HINGE-12*	HINGE-11*
EXBLT*-12126 N4	EXB1212RG	EXB-MTL2	16	0720361B	25952AAAB	25904AAAB	17339AAAB	20790BAAB	HINGE-12*	HINGE-11*
EXBLT*-12128 N4	EXB1212RG	EXB-MTL2	16	0720361B	25952AAAB	25904AAAB	17339AAAB	20790BAAB	HINGE-12*	HINGE-11*
EXBLT*-12186 N4	EXB1218RG	EXB-MTL2	28	0720361B	25952AAAB	25904AAAB	17339AAAB	20790BAAB	HINGE-11*	HINGE-11*
EXBLT*-12188 N4	EXB1218RG	EXB-MTL2	28	0720361B	25952AAAB	25904AAAB	17339AAAB	20790BAAB	HINGE-11*	HINGE-11*
EXBLT*-12246 N4	EXB1224RG	EXB-MTL2	36	0720361B	25952AAAB	25904AAAB	17339AAAB	20790BAAB	HINGE-11*	HINGE-11*
EXBLT*-12248 N4	EXB1224RG	EXB-MTL2	36	0720361B	25952AAAB	25904AAAB	17339AAAB	20790BAAB	HINGE-11*	HINGE-11*
EXBLT*-14148 N4	EXB1224RG	EXB-MTL2	20	0720361B	25952AAAB	25904AAAB	17339AAAB	20790BAAB	HINGE-11*	HINGE-11*
EXBLT*-14248 N4	EXB1224RG	EXB-MTL2	28	0720361B	25952AAAB	25904AAAB	17339AAAB	20790BAAB	HINGE-11*	HINGE-11*
EXBLT*-14308 N4	EXB1224RG	EXB-MTL2	36	0720361B	25952AAAB	25904AAAB	17339AAAB	20790BAAB	HINGE-11*	HINGE-11*
EXBLT*-16168 N4	EXB1224RG	EXB-MTL2	24	0720361B	25952AAAB	25904AAAB	17339AAAB	20790BAAB	HINGE-11*	HINGE-11*
EXBLT*-16248 N4	EXB1224RG	EXB-MTL2	30	0720361B	25952AAAB	25904AAAB	17339AAAB	20790BAAB	HINGE-11*	HINGE-11*

Hinges

Hinges are provided as a standard on EXBLT*-6124, EXBLT*-6126 and sizes EXBLT*-8126 and larger. See chart for replacement hinge catalog number. Sold in sets of (2).

“G” Series Operators

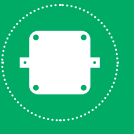
The EXBLT* uses the GZ Long Style operators.

Touch-Up Paint

The touch-up paint comes in a 12 oz aerosol can.

Wet lacquer silver gray touch-up paint: KTPALS.

Epoxy powder gray touch-up paint: KTPEPG.



JUNCTION BOXES

QUANTUM[®]



EXB

Empty / Control Enclosure

NEC / CEC Certifications

Class I, Div. 1 & 2, Groups B, C, & D

Class I, Zone 1, IIB+H2

Class II, Div. 1 & 2, Groups E, F, & G

Class III

Type 3, 4, 4X

Ta = -25°C to +70°C (UL)

Ta = -50°C to +70°C (CSA)



Files E83969

File LR11716 - 1723354

ATEX Certificate



II 2 G D CE 2813

Ex d IIB+H2 Gb 6 or T5

Ex tb IIIC Db IP66 T85°C or T100°C

Ta = -50°C to +70°C

QPS 21 ATEX 0001U

QPS 21 ATEX 0002X

IEC Ex Certificate

Ex db IIB+H2 Gb T6 or T5

Ex tb IIIC Db IP66 T85°C or T100°C

Ta = -50°C to +70°C

IECEX QPS 17.0013U

IECEX QPS 17.0014X

FEATURES-SPECIFICATIONS

Features

- Copper-free cast aluminum construction – high strength, light in weight, corrosion resistant
- Fewer Cover Bolts. Computer-aided design lessens the number of cover bolts by eliminating corner bolts. Reduces installation and maintenance time
- Nitrile (BUNA-N) “O” ring gasket is located inside bolt circle to prevent water seeping into enclosure
- Mounting lugs are made of ductile aluminum alloy to adjust to irregular mounting surfaces without damaging the enclosure. EXBLTs 8x12x6x and larger supplied with bi-directional mounting pads. Lugs can be installed either horizontal or vertical by the factory or in the field. Easily replaced if damage does occur.

- All enclosure sizes 8x12x6 and larger are supplied standard with hinges mounted on the left side. Smaller enclosures are drilled for field installation of two Killark HINGE-9 assemblies or can be installed at factory by adding SU2 to catalog number. For hinges to be located in other positions, specify when ordering.
- Recessed Flange Notches – Flanges are notched to allow for easier cover opening with prying instrument without flange damage
- Cast with wall thickness suitable for drilling and tapping of conduit openings in all sides and back of boxes. Conduit size and location information is found on dimensional chart in this section. Conduit openings can be factory or field installed.
- Mounting pan bosses are pre-drilled at factory for field mounting of optional mounting pan.

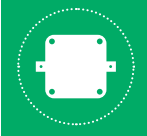
Materials

- Enclosure: Copper-free aluminum (less than 1/10 of 1%)
- Hinges: Aluminum with stainless steel hardware
- Steel cover bolts
- Optional Mounting Pans: Sheet aluminum
- Optional Windows: Tempered soda lime glass
- Finish: Aluminum lacquer

EXB - For Global Applications, ATEX and IEC Ex, Add Suffix “CEN” to the catalog logic.

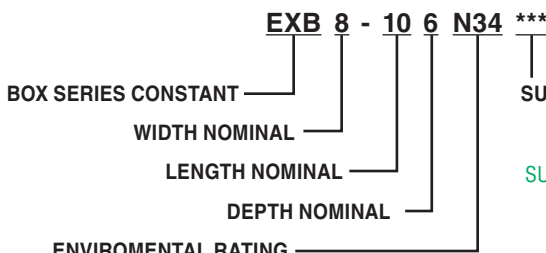
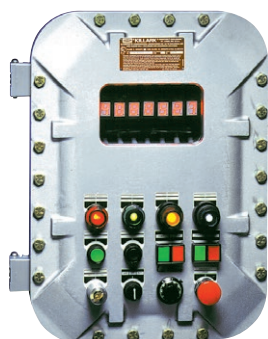
Notes:

- Conduits must be sealed within 18” for Group B applications.
- Type 4X with optional SU-1 modification.
- All conduit or gland openings must be sealed adjacent to the wall of Ex d applications.



ENCLOSURES EXB SERIES

JUNCTION BOXES



ENVIRONMENTAL RATING

- N34 – Type 4 Steel external hardware
- N34 SU-1 – Type 4X Stainless steel external hardware
- N34TL – Type 4X Tri-lead stainless steel external hardware
- N34CEN – Type 4X, IP66 ATEX & IEC Ex Certifications

SUFFIXES

- SU3B-4X – Type 4X drain and breather installed Groups BCD
 - SU3B-ATEX – ATEX IEC Ex drain & breather installed Groups B & Ex d+IIB
 - SU2 – Install hinges - EXB-8106 and smaller
 - SU9 – Special paint
 - SU93 – Do not paint
- Additional suffixes are available*

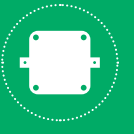
MODIFICATIONS	
SUFFIX NUMBER	DESCRIPTION
N34CEN	ATEX & IEC Ex Certifications, IP66 Type 4X. Cover bolts 316 SS
N34 SU-1	316 Stainless steel external hardware for Type 4X
N34TL	Tri-lead captive 316 stainless steel external hardware for Type 4X
KIT-251	100 amp grounding lug
KIT-252	200 amp grounding lug
SU3B-QA	cCSAus, ATEX, IEC Ex drain and breather installed Class I Groups B, C, & D Ex d IIB + H2, Type 4, 4x IP66 (enclosures up to 28 liters*)
SU3B-4X	UL and CSA drain and breather installed Class I Groups B, Type 4, 4X
SU3B-ATEX	UL CSA, ATEX, IEC Ex drain and breather installed Class I Groups B & Ex d IIB, Voids Type 4 & IP66
SU2	Install hinges EXB 8106 and smaller
SU9PEEX	External gray powder coated epoxy paint
SU14	Fungus Proof internally
SU9	Special paint - specify
SU93	Do not paint
TOE PLATE KIT	Door guide plate to assist in aligning installing cover bolts

* For enclosures greater than 28 liters, the KBQA drain/breather can be ordered separately and new ratings are: Class I Groups C & D Ex d IIB, Type 4, 4x IP66.

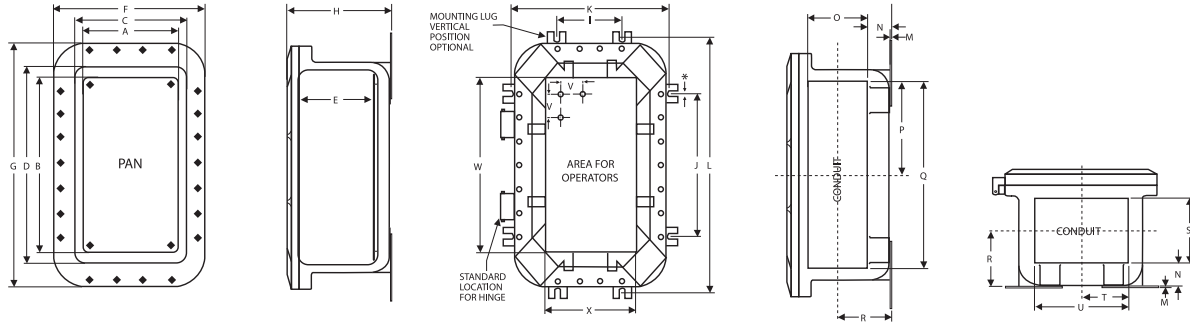
The chart to the right indicates which enclosures are less than 28 liters.

+ Enclosures less than 28 liters. KBQA breather/drain rated for Class I Groups B, C, & D Ex d IIB + H2, Type 4, 4x IP66.

EXB JUNCTION BOXES AND ENCLOSURES					
CATALOG NUMBER	NOMINAL ENCLOSURE INSIDE DIMENSIONS W" L" D" (MM)	MAXIMUM CONDUIT SIZE	OPTIONAL MOUNTING PAN NUMBER	MAXIMUM NUMBER OF OPERATORS†	WEIGHT LBS (KGS)
EXB-664 N34*	6x6x4 (152x152x102)	2"	7997-5	2 rows of 2 = 4	18 (8.17)
EXB-886 N34*	8x8x6 (203x203x152)	2"	7996-1	3 rows of 3 = 9	30 (13.62)
EXB-8104 N34*	8x10x4 (203x254x102)	2"	7996-2	4 rows of 3 = 12	35 (15.89)
EXB-8106 N34*	8x10x6 (203x254x152)	2"	7996-2	4 rows of 3 = 12	38 (17.25)
EXB-8126 N34*	8x12x6 (203x305x152)	3"	17619	4 rows of 3 = 12	47 (21.34)
EXB-8128 N34*	8x12x8 (203x305x203)	4"	17619	4 rows of 3 = 12	67 (30.42)
EXB-10106 N34*	10x10x6 (254x254x102)	3"	17618	4 rows of 3 = 12	68.5 (31)
EXB-10108 N34*	10x10x8 (254x254x203)	5"	17618	4 rows of 3 = 12	80.5 (37)
EXB-10146 N34*	10x14x6 (254x356x152)	3"	17617	5 rows of 3 = 15	82 (37.23)
EXB-10148 N34*	10x14x8 (254x356x203)	5"	17617	5 rows of 3 = 15	89 (40.41)
EXB-12126 N34*	12x12x6 (305x305x152)	3"	7988-1	4 rows of 4 = 16	75 (34.05)
EXB-12128 N34*	12x12x8 (305x305x203)	5"	7988-1	4 rows of 4 = 16	83 (37.68)
EXB-12186 N34*	12x18x6 (305x457x152)	3"	15515	7 rows of 4 = 28	110 (49.94)
EXB-12188 N34*	12x18x8 (305x457x203)	5"	15515	7 rows of 4 = 28	120 (54.48)
EXB-12246 N34*	12x24x6 (305x610x152)	3"	7988-4	9 rows of 4 = 36	145 (65.83)
EXB-12248 N34*	12x24x8 (305x610x203)	5"	7988-4	9 rows of 4 = 36	160 (72.64)
EXB-122412 N34	12x24x12 (305x610x305)	5"	7988-4	9 rows of 4 = 36	190 (86.26)
EXB-12368 N34	12x36x8 (305x914x203)	5"	17620	14 rows of 4 = 56	231 (104.87)
EXB-123610 N34	12x36x10 (305x914x254)	6"	17620	14 rows of 4 = 56	245 (111.23)
EXB-14146 N34*	14x14x6 (356x356x152)	3"	17621	5 rows of 5 = 25	121 (54.93)
EXB-14148 N34*	14x14x8 (356x356x203)	5"	17621	5 rows of 5 = 25	136 (61.74)
EXB-16166 N34*	16x16x6 (406x406x152)	3"	7995-1	6 rows of 6 = 36	127 (57.66)
EXB-16168 N34	16x16x8 (406x406x203)	5"	7995-1	6 rows of 6 = 36	138 (62.65)
EXB-16248 N34	16x24x8 (406x610x203)	5"	17622	8 rows of 5 = 40	251 (113.95)
EXB-162410 N34	16x24x10 (406x610x254)	6"	17622	8 rows of 5 = 40	266 (120.76)
EXB-18186 N34	18x18x6 (457x457x152)	3"	17623	6 rows of 6 = 36	206 (93.52)
EXB-18188 N34	18x18x8 (457x457x203)	5"	17623	6 rows of 6 = 36	220 (99.88)
EXB-18248 N34	18x24x8 (457x610x203)	5"	15516	9 rows of 7 = 63	240 (108.96)
EXB-182410 N34	18x24x10 (457x610x254)	6"	15516	9 rows of 7 = 63	260 (118.04)
EXB-18308 N34	18x30x8 (457x762x203)	5"	22061	11 rows of 7 = 77	320 (145.28)
EXB-18368 N34	18x36x8 (457x914x203)	5"	15517	13 rows of 7 = 91	380 (172.52)
EXB-183610 N34	18x36x10 (457x914x254)	6"	15517	13 rows of 7 = 91	405 (183.87)
EXB-203611 N34	20x36x11 (508x914x279)	6"	17596	13 rows of 7 = 91	540 (245.16)
EXB-24248 N34	24x24x8 (610x610x203)	5"	8000-1	9 rows of 9 = 81	330 (149.82)
EXB-242410 N34	24x24x10 (610x610x254)	6"	8000-1	9 rows of 9 = 81	350 (158.90)
EXB-24308 N34	24x30x8 (610x762x203)	5"	20567	9 rows of 7 = 63	430 (195.22)
EXB-24368 N34	24x36x8 (610x914x203)	5"	17624	11 rows of 7 = 77	531 (241.07)
EXB-243610 N34	24x36x10 (610x914x254)	6"	17624	11 rows of 7 = 77	506 (229.72)



JUNCTION BOXES

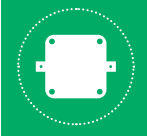


* Mounting lug opening 7/16" for boxes up to and including 8128 and 9/16" for boxes 10 x 10 and larger

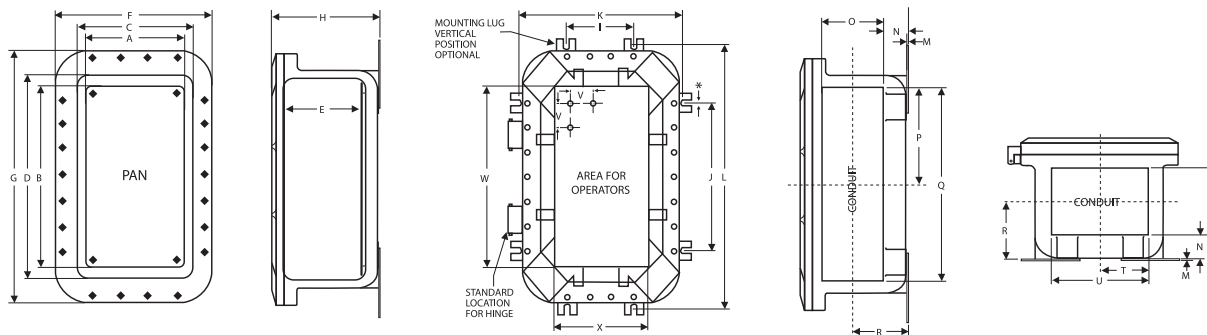
EXB DIMENSIONS

CATALOG NUMBER	INTERNAL DIMENSIONS - INCHES (MM)					EXTERNAL DIMENSIONS - INCHES (MM)			MOUNTING DIMENSIONS - INCHES (MM)				
	PAN		AVAILABLE FOR DEVICES			F	G	H	I	J	K	L	M
	A	B	C	D	E								
EXB-664 N34	5 (127.0)	5 (127.0)	5.73 (145.5)	5.73 (145.5)	4.31 (109.47)	10.32 (262.13)	10.32 (262.13)	6.09 (154.69)	N/A	4.00 (101.60)	7.88 (200.15)	N/A	0.19 (4.83)
EXB-886 N34	7 (177.8)	7 (177.8)	7.59 (192.8)	7.59 (192.8)	6.06 (153.92)	12.32 (312.93)	12.32 (312.93)	8.09 (205.49)	N/A	6.00 (152.40)	9.88 (250.95)	N/A	0.19 (4.83)
EXB-8104 N34	7 (177.8)	9 (228.6)	7.73 (196.3)	9.73 (247.1)	4.06 (103.12)	12.32 (312.93)	14.32 (363.73)	6.32 (160.53)	N/A	8.00 (203.20)	9.88 (250.95)	N/A	0.19 (4.83)
EXB-8106 N34	7 (177.8)	9 (228.6)	7.59 (192.8)	9.59 (243.6)	6.06 (153.92)	12.32 (312.93)	14.32 (363.73)	8.32 (211.33)	N/A	8.00 (203.20)	9.88 (250.95)	N/A	0.19 (4.83)
EXB-8126 N34	7 (177.8)	11 (279.4)	8 (203.2)	12 (304.8)	6.38 (161.54)	13.25 (336.55)	17.25 (438.15)	8.70 (220.98)	3.82 (97.03)	7.82 (198.63)	10.38 (263.65)	14.38 (365.25)	0.19 (6.35)
EXB-8128 N34	7 (177.8)	11 (279.4)	8 (203.2)	12 (304.8)	8.38 (212.34)	13.25 (336.55)	17.25 (438.15)	10.70 (271.78)	3.82 (97.03)	7.82 (198.63)	10.38 (263.65)	14.38 (365.25)	0.19 (6.35)
EXB-10106 N34	9 (228.6)	9 (228.6)	10 (254.0)	10 (254.0)	6.20 (157.48)	15.25 (387.35)	15.25 (387.35)	8.90 (226.06)	4.94 (125.48)	4.94 (125.48)	12.94 (328.68)	12.94 (328.68)	0.25 (6.35)
EXB-10108 N34	9 (228.6)	9 (228.6)	10 (254.0)	10 (254.0)	8.20 (208.28)	15.25 (387.35)	15.25 (387.35)	10.90 (276.86)	4.94 (125.48)	4.94 (125.48)	12.94 (328.68)	12.94 (328.68)	0.25 (6.35)
EXB-10146 N34	9 (228.6)	13 (330.2)	10 (254.0)	14 (355.6)	6.20 (157.48)	15.25 (387.35)	19.25 (488.95)	8.90 (226.06)	4.94 (125.48)	8.94 (227.08)	12.94 (328.68)	16.94 (430.28)	0.25 (6.35)
EXB-10148 N34	9 (228.6)	13 (330.2)	10 (254.0)	14 (355.6)	8.20 (208.28)	15.25 (387.35)	19.25 (488.95)	10.90 (276.86)	4.94 (125.48)	8.94 (227.08)	12.94 (328.68)	16.94 (430.28)	0.25 (6.35)
EXB-12126 N34	10.5 (266.7)	10.5 (266.7)	11.5 (292.1)	11.5 (292.1)	6.00 (152.40)	16.38 (416.05)	16.38 (416.05)	8.69 (220.73)	6.94 (176.28)	6.94 (176.28)	14.94 (379.48)	14.94 (379.48)	0.25 (6.35)
EXB-12128 N34	10.5 (266.7)	10.5 (266.7)	11.37 (288.8)	11.37 (288.8)	8.00 (203.20)	16.38 (416.05)	16.38 (416.05)	10.69 (271.53)	6.94 (176.28)	6.94 (176.28)	14.94 (379.48)	14.94 (379.48)	0.25 (6.35)
EXB-12186 N34	10 (254.0)	16 (406.4)	11.5 (292.1)	17.5 (444.5)	6.00 (152.40)	16.38 (416.05)	22.38 (568.45)	9.06 (230.12)	6.94 (176.28)	12.88 (327.15)	14.94 (379.48)	20.88 (530.35)	0.25 (6.35)
EXB-12188 N34	10 (254.0)	16 (406.4)	11.37 (288.8)	17.37 (441.2)	8.00 (203.20)	16.38 (416.05)	22.38 (568.45)	11.06 (280.92)	6.94 (176.28)	12.88 (327.15)	14.94 (379.48)	20.88 (530.35)	0.25 (6.35)
EXB-12246 N34	10.25 (260.4)	22.25 (565.2)	11.5 (292.1)	23.5 (596.9)	6.00 (152.40)	16.38 (416.05)	28.38 (720.85)	9.32 (236.73)	6.94 (176.28)	18.88 (479.55)	14.94 (379.48)	26.88 (682.75)	0.25 (6.35)
EXB-12248 N34	10.25 (260.4)	22.25 (565.2)	11.37 (288.8)	23.37 (593.6)	8.00 (203.20)	16.38 (416.05)	28.38 (720.85)	11.32 (287.53)	6.94 (176.28)	18.88 (479.55)	14.94 (379.48)	26.88 (682.75)	0.25 (6.35)
EXB-122412 N34	10.25 (260.4)	22.25 (565.2)	11.37 (288.8)	23.37 (593.6)	12.00 (304.80)	16.38 (416.05)	28.38 (720.85)	15.32 (389.13)	6.94 (176.28)	18.88 (479.55)	14.94 (379.48)	26.88 (682.75)	0.25 (6.35)
EXB-12368 N34	11 (279.4)	35 (889.0)	12 (304.8)	36 (914.4)	8.12 (206.25)	17.25 (438.15)	41.25 (1047.75)	11.40 (289.56)	7.00 (177.80)	31.00 (787.40)	15.00 (381.00)	39.00 (990.60)	0.25 (6.35)
EXB-123610 N34	11 (279.4)	35 (889.0)	12 (304.8)	36 (914.4)	10.12 (257.05)	17.25 (438.15)	41.25 (1047.75)	13.40 (340.36)	7.00 (177.80)	31.00 (787.40)	15.00 (381.00)	39.00 (990.60)	0.25 (6.35)
EXB-14146 N34	13 (330.2)	13 (330.2)	14 (355.6)	14 (355.6)	6.20 (157.48)	19.25 (488.95)	19.25 (488.95)	9.40 (238.76)	9.00 (228.60)	9.00 (228.60)	17.00 (431.80)	17.00 (431.80)	0.25 (6.35)
EXB-14148 N34	13 (330.2)	13 (330.2)	14 (355.6)	14 (355.6)	8.20 (208.28)	19.25 (488.95)	19.25 (488.95)	11.40 (289.56)	9.00 (228.60)	9.00 (228.60)	17.00 (431.80)	17.00 (431.80)	0.25 (6.35)
EXB-16166 N34	14 (355.6)	14 (355.6)	15.5 (393.7)	15.5 (393.7)	6.00 (152.40)	20.38 (517.65)	20.38 (517.65)	9.19 (233.43)	10.94 (277.88)	10.94 (277.88)	18.94 (481.08)	18.94 (481.08)	0.25 (6.35)
EXB-16168 N34	14 (355.6)	14 (355.6)	15.37 (390.4)	15.37 (390.4)	8.00 (203.20)	20.38 (517.65)	20.38 (517.65)	11.19 (284.23)	10.94 (277.88)	10.94 (277.88)	18.94 (481.08)	18.94 (481.08)	0.25 (6.35)
EXB-16248 N34	15 (381.0)	23 (584.2)	16 (406.4)	24 (609.6)	8.12 (206.25)	21.25 (539.75)	29.25 (742.95)	12.00 (304.80)	11.38 (289.05)	19.38 (492.25)	19.38 (492.25)	27.38 (695.45)	0.25 (6.35)
EXB-162410 N34	15 (381.0)	23 (584.2)	16 (406.4)	24 (609.6)	10.12 (257.05)	21.25 (539.75)	29.25 (742.95)	14.00 (355.60)	11.38 (289.05)	19.38 (492.25)	19.38 (492.25)	27.38 (695.45)	0.25 (6.35)
EXB-18186 N34	17 (431.8)	17 (431.8)	18 (457.2)	18 (457.2)	6.12 (155.45)	23.25 (590.55)	23.25 (590.55)	10.00 (254.00)	13.38 (339.85)	13.38 (339.85)	21.38 (543.05)	21.38 (543.05)	0.25 (6.35)
EXB-18188 N34	17 (431.8)	17 (431.8)	18 (457.2)	18 (457.2)	8.12 (206.25)	23.25 (590.55)	23.25 (590.55)	12.00 (304.80)	13.38 (339.85)	13.38 (339.85)	21.38 (543.05)	21.38 (543.05)	0.25 (6.35)
EXB-18248 N34	16.38 (416.1)	22.13 (562.1)	17.37 (441.2)	23.37 (593.6)	8.00 (203.20)	22.38 (568.45)	28.38 (720.85)	11.75 (298.45)	13.00 (330.20)	19.00 (482.60)	21.00 (533.40)	27.00 (685.80)	0.25 (6.35)
EXB-182410 N34	16.38 (416.1)	22.13 (562.1)	17.23 (437.6)	23.23 (590.0)	10.00 (254.00)	22.38 (568.45)	28.38 (720.85)	13.75 (349.25)	13.00 (330.20)	19.00 (482.60)	21.25 (539.75)	27.00 (685.80)	0.25 (6.35)
EXB-18308 N34	16 (406.4)	29 (736.6)	17.87 (453.9)	30.8 (782.3)	8.00 (203.20)	22.37 (568.20)	35.37 (898.40)	12.37 (314.20)	13.25 (336.55)	26.5 (673.10)	21.00 (533.40)	34.50 (876.30)	0.25 (6.35)
EXB-18368 N34	16 (406.4)	34 (863.6)	17.37 (441.2)	35.37 (898.4)	8.00 (203.20)	22.38 (568.45)	40.38 (1025.65)	12.38 (314.45)	13.25 (336.55)	31.50 (800.10)	21.25 (539.75)	39.50 (1003.30)	0.25 (6.35)
EXB-183610 N34	16 (406.4)	34 (863.6)	17.23 (437.6)	35.23 (894.8)	10.00 (254.00)	22.38 (568.45)	40.38 (1025.65)	14.38 (365.25)	13.25 (336.55)	31.50 (800.10)	21.25 (539.75)	39.50 (1003.30)	0.25 (6.35)
EXB-203611 N34	18.75 (476.3)	34.75 (882.7)	20.14 (511.6)	36.14 (918.0)	11.13 (282.70)	26.44 (671.58)	42.44 (1077.98)	15.56 (395.22)	15.75 (400.05)	31.75 (806.45)	23.75 (603.25)	39.75 (1009.65)	0.25 (6.35)
EXB-24248 N34	22.25 (565.2)	22.25 (565.2)	23.37 (593.6)	23.37 (593.6)	8.06 (204.72)	28.38 (720.85)	28.38 (720.85)	12.19 (309.63)	19.50 (495.30)	19.50 (495.30)	27.50 (698.50)	27.50 (698.50)	0.25 (6.35)
EXB-242410 N34	22.25 (565.2)	22.25 (565.2)	23.23 (590.0)	23.23 (590.0)	10.06 (255.52)	28.38 (720.85)	28.38 (720.85)	14.19 (360.43)	19.50 (495.30)	19.50 (495.30)	27.50 (698.50)	27.50 (698.50)	0.25 (6.35)
EXB-24308 N34	23 (584.2)	29 (736.6)	24 (609.6)	30 (762.0)	8.12 (206.25)	29.25 (742.95)	35.25 (895.35)	12.40 (314.96)	19.56 (496.82)	25.56 (649.23)	27.56 (700.03)	33.56 (852.43)	0.25 (6.35)
EXB-24368 N34	23 (584.2)	35 (889.0)	24 (609.6)	36 (914.4)	8.12 (206.25)	29.25 (742.95)	41.25 (1047.75)	12.40 (314.96)	19.56 (496.82)	31.56 (801.63)	27.56 (700.03)	39.56 (1004.83)	0.25 (6.35)
EXB-243610 N34	23 (584.2)	35 (889.0)	24 (609.6)	36 (914.4)	10.12 (257.05)	29.25 (742.95)	41.25 (1047.75)	14.40 (365.76)	19.56 (496.82)	31.56 (801.63)	27.56 (700.03)	39.56 (1004.83)	0.25 (6.35)

Full dimensional details are available on .DFX or .DWG format. See Killark website.



ENCLOSURES EXB SERIES



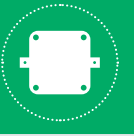
* Mounting lug opening 7/16" for boxes up to and including 8128 and 9/16" for boxes 10 x 10 and larger

EXB CONDUIT AND OPERATOR LAYOUT INFORMATION

CATALOG NUMBER	CONDUIT AREA											OPERATOR AREA AND SPECS	
	N	O	P	Q	R	S	T	U	V	W	X	GZ OPERATOR TYPE	GO OPERATOR TYPE
EXB-664 N34	1.18 (30.0)	2.81 (71.4)	2.44 (62.0)	4.88 (124.0)	2.75 (69.85)	2.81 (71.37)	2.44 (61.98)	4.88 (123.95)	2.5 (63.50)	5 (127.00)	5 (127.00)	Use "LONG"	
EXB-886 N34	1.18 (30.0)	4.81 (122.2)	3.44 (87.4)	6.88 (174.8)	3.75 (95.25)	4.81 (122.17)	3.44 (87.38)	6.88 (174.75)	2.5 (63.50)	7 (177.80)	7 (177.80)		
EXB-8104 N34	1.18 (30.0)	2.81 (71.4)	4.44 (112.8)	8.88 (225.6)	2.75 (69.85)	2.81 (71.37)	3.44 (87.38)	6.88 (174.75)	2.5 (63.50)	9 (228.60)	7 (177.80)		
EXB-8106 N34	1.18 (30.0)	4.18 (106.2)	4.44 (112.8)	8.88 (225.6)	3.45 (87.63)	4.81 (122.17)	3.44 (87.38)	6.88 (174.75)	2.5 (63.50)	9 (228.60)	7 (177.80)		
EXB-8126 N34	1.78 (45.2)	3.75 (95.3)	5 (127.0)	10 (254.0)	3.66 (92.96)	3.75 (95.25)	3 (76.20)	6 (152.40)	2.5 (63.50)	11 (279.40)	7 (177.80)		
EXB-8128 N34	1.78 (45.2)	5.75 (146.1)	5 (127.0)	10 (254.0)	4.66 (118.36)	5.75 (146.05)	3 (76.20)	6 (152.40)	2.5 (63.50)	11 (279.40)	7 (177.80)		
EXB-10106 N34	1.91 (48.5)	3.75 (95.3)	4 (101.6)	8 (203.2)	3.79 (96.27)	3.75 (95.25)	4 (101.60)	8 (203.20)	2.5 (63.50)	9 (228.60)	9 (228.60)		
EXB-10108 N34	1.91 (48.5)	5.75 (146.1)	4 (101.6)	8 (203.2)	4.79 (121.67)	5.75 (146.05)	4 (101.60)	8 (203.20)	2.5 (63.50)	9 (228.60)	9 (228.60)		
EXB-10146 N34	1.91 (48.5)	3.75 (95.3)	6 (152.4)	12 (304.8)	3.79 (96.27)	3.75 (95.25)	4 (101.60)	8 (203.20)	2.5 (63.50)	13 (330.20)	9 (228.60)		
EXB-10148 N34	1.91 (48.5)	5.75 (146.1)	6 (152.4)	12 (304.8)	4.79 (121.67)	5.75 (146.05)	4 (101.60)	8 (203.20)	2.5 (63.50)	13 (330.20)	9 (228.60)		
EXB-12126 N34	1.88 (47.8)	3.81 (96.8)	4.94 (125.5)	9.88 (251.0)	4.00 (101.60)	3.81 (96.77)	4.94 (125.48)	9.88 (250.95)	2.5 (63.50)	10 (254.00)	10 (254.00)		
EXB-12128 N34	1.88 (47.8)	5.81 (147.6)	4.94 (125.5)	9.88 (251.0)	5.00 (127.00)	5.81 (147.57)	4.94 (125.48)	9.88 (250.95)	2.5 (63.50)	10 (254.00)	10 (254.00)		
EXB-12186 N34	2.06 (52.3)	3.13 (79.5)	7.94 (201.7)	15.88 (403.4)	3.88 (98.55)	3.75 (95.25)	4.94 (125.48)	9.88 (250.95)	2.5 (63.50)	16 (406.40)	10 (254.00)		
EXB-12188 N34	2.06 (52.3)	5.13 (130.3)	7.94 (201.7)	15.88 (403.4)	4.88 (123.95)	5.75 (146.05)	4.94 (125.48)	9.88 (250.95)	2.5 (63.50)	16 (406.40)	10 (254.00)		
EXB-12246 N34	2.13 (54.1)	3.13 (79.5)	10.94 (277.9)	21.88 (555.8)	3.94 (100.08)	3.81 (96.77)	4.94 (125.48)	9.88 (250.95)	2.5 (63.50)	22.25 (565.15)	10.25 (260.35)		
EXB-12248 N34	2.13 (54.1)	5.13 (130.3)	10.94 (277.9)	21.88 (555.8)	4.94 (125.48)	5.81 (147.57)	4.94 (125.48)	9.88 (250.95)	2.5 (63.50)	22.25 (565.15)	10.25 (260.35)		
EXB-122412 N34	2.13 (54.1)	9.13 (231.9)	10.94 (277.9)	21.88 (555.8)	6.94 (176.28)	9.81 (249.17)	4.94 (125.48)	9.88 (250.95)	2.5 (63.50)	22.25 (565.15)	10.25 (260.35)		
EXB-12368 N34	2.09 (53.1)	5.75 (146.1)	17 (431.8)	34 (863.6)	4.97 (126.24)	5.75 (146.05)	5 (127.00)	10 (254.00)	2.5 (63.50)	35 (889.00)	11 (279.40)		
EXB-123610 N34	2.09 (53.1)	7.75 (196.9)	17 (431.8)	34 (863.6)	5.97 (151.64)	7.75 (196.85)	5 (127.00)	10 (254.00)	2.5 (63.50)	35 (889.00)	11 (279.40)		
EXB-14146 N34	2.09 (53.1)	3.75 (95.3)	6 (152.4)	12 (304.8)	3.97 (100.84)	3.75 (95.25)	6 (152.40)	12 (304.80)	2.5 (63.50)	13 (330.20)	13 (330.20)		
EXB-14148 N34	2.09 (53.1)	5.75 (146.1)	6 (152.4)	12 (304.8)	4.97 (126.24)	5.75 (146.05)	6 (152.40)	12 (304.80)	2.5 (63.50)	13 (330.20)	13 (330.20)		
EXB-16166 N34	2.06 (53.1)	3.75 (95.3)	6.94 (176.3)	13.88 (352.6)	4.18 (106.17)	3.75 (95.25)	6.94 (176.28)	13.88 (352.55)	2.5 (63.50)	14 (355.60)	14 (355.60)		
EXB-16168 N34	2.06 (53.1)	5.75 (146.1)	6.94 (176.3)	13.88 (352.6)	5.18 (131.57)	5.75 (146.05)	6.94 (176.28)	13.88 (352.55)	2.5 (63.50)	14 (355.60)	14 (355.60)		
EXB-16248 N34	2.34 (59.4)	5.75 (146.1)	11 (279.4)	22 (558.8)	5.22 (132.59)	5.75 (146.05)	7 (177.80)	14 (355.60)	2.5 (63.50)	22 (558.80)	14 (355.60)		
EXB-162410 N34	2.34 (59.4)	7.75 (196.9)	11 (279.4)	22 (558.8)	6.22 (157.99)	7.75 (196.85)	7 (177.80)	14 (355.60)	2.5 (63.50)	22 (558.80)	14 (355.60)		
EXB-18186 N34	2.34 (59.4)	3.75 (95.3)	8 (203.2)	16 (406.4)	4.22 (107.19)	3.75 (95.25)	8 (203.20)	16 (406.40)	2.5 (63.50)	16 (406.40)	16 (406.40)		
EXB-18188 N34	2.34 (59.4)	5.75 (146.1)	8 (203.2)	16 (406.4)	5.22 (132.59)	5.75 (146.05)	8 (203.20)	16 (406.40)	2.5 (63.50)	16 (406.40)	16 (406.40)		
EXB-18248 N34	2.32 (58.9)	4.88 (124.0)	10.94 (277.9)	21.88 (555.8)	5.00 (127.00)	5.56 (141.22)	7.94 (201.68)	15.88 (403.35)	2.5 (63.50)	22 (558.80)	16 (406.40)		
EXB-182410 N34	2.32 (58.9)	6.88 (174.8)	10.94 (277.9)	21.88 (555.8)	6.00 (152.40)	8.56 (217.42)	7.94 (201.68)	15.88 (403.35)	2.5 (63.50)	22 (558.80)	16 (406.40)		
EXB-18308 N34	2.50 (63.5)	4.88 (124.0)	14.44 (366.8)	28.88 (733.6)	5.18 (131.57)	6.06 (153.92)	7.94 (201.68)	15.88 (403.35)	2.5 (63.50)	29 (736.60)	16 (406.40)		
EXB-18368 N34	2.50 (63.5)	4.88 (124.0)	16.94 (430.3)	33.88 (860.6)	5.18 (131.57)	6.06 (153.92)	7.94 (201.68)	15.88 (403.35)	2.5 (63.50)	34 (863.60)	16 (406.40)		
EXB-183610 N34	2.50 (63.5)	6.88 (174.8)	16.94 (430.3)	33.88 (860.6)	6.18 (156.97)	8.06 (204.72)	7.94 (201.68)	15.88 (403.35)	2.5 (63.50)	34 (863.60)	16 (406.40)		
EXB-203611 N34	2.47 (62.7)	8.44 (214.4)	16.72 (424.7)	33.97 (862.8)	6.88 (174.75)	8.47 (215.14)	8.72 (221.49)	17.47 (443.74)	2.5 (63.50)	34.88 (885.95)	18.88 (479.55)		
EXB-24248 N34	2.88 (73.2)	5.50 (139.7)	10.88 (276.4)	21.88 (555.8)	5.88 (149.35)	5.50 (139.70)	10.94 (277.88)	21.88 (555.75)	2.5 (63.50)	22 (558.80)	22 (558.80)		
EXB-242410 N34	2.88 (73.2)	7.50 (190.5)	10.88 (276.4)	21.88 (555.8)	6.88 (174.75)	7.50 (190.50)	10.94 (277.88)	21.88 (555.75)	2.5 (63.50)	22 (558.80)	22 (558.80)		
EXB-24308 N34	2.47 (62.7)	5.75 (146.1)	14 (355.6)	28 (711.2)	5.35 (135.89)	5.75 (146.05)	11 (279.40)	22 (558.80)	3.0 (76.20)	28 (711.20)	22 (558.80)		
EXB-24368 N34	2.47 (62.7)	5.75 (146.1)	17 (431.8)	34 (863.6)	5.35 (135.89)	5.75 (146.05)	11 (279.40)	22 (558.80)	3.0 (76.20)	34 (863.60)	22 (558.80)		
EXB-243610 N34	2.47 (62.7)	7.75 (196.9)	17 (431.8)	34 (863.6)	6.35 (161.29)	7.75 (196.85)	11 (279.40)	22 (558.80)	3.0 (76.20)	34 (863.60)	22 (558.80)		

All dimension in. (mm)

Full dimensional details are available on .DFX or .DWG format. See KILLARK web-site.



CONDUIT OPENING DATA

Instructions

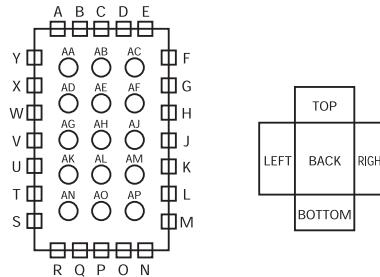
Drilled and tapped conduit openings will be evenly spaced and located in the area indicated on the location chart. Critical conduit opening locations may be indicated by supplying a diagram similar to the one shown at right indicating critical dimensions and locations. Specific conduit openings must be located dimensionally from box centerlines to conduit centerlines and from outside back surface of box to conduit centerline.

Ordering Information:

- (1) Select the letter on location chart which indicates conduit opening position desired.
- (2) Select symbol number from chart which indicates conduit opening type and size.

- (3) Combine the conduit location letter, size and type number, and add as a suffix to junction box catalog number.

Example: EXB-12248 N34-C3-J5-PI3-AH4



Drawing indicates position as looking into open face of box with short side (top) up.

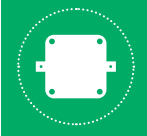
EXB/EXBLT/B7/GR SYMBOL NUMBERS		
CONDUIT SIZE	CONDUIT OPENINGS DRILLED AND TAPPED	UNION
1/2"	1	11
3/4"	2	12
1"	3	13
1-1/4"	4	14
1-1/2"	5	15
2"	6	16
2-1/2"	7	17
3"	8	18
3-1/2"	9	19
4"	0	10
5"	02	—
6"	04	—

Union = GUM series male NPT unions

EXB/EXBLT/B7/GR - MINIMUM CENTER TO CENTER SPACING FOR DRILLED AND TAPPED OPENINGS AND UNION HUBS													
NPT (METRIC)	SPACE CENTERS	1/2" (M16)	3/4" (M20)	1" (M25)	1-1/4" (M32)	1-1/2" (M40)	2" (M50)	2-1/2" (M63)	3" (M75)	3-1/2" (M80)	4" (M100)	5"	6"
1/2" (M16)	MIN	1.18 (30)	—	—	—	—	—	—	—	—	—	—	—
	PRE	1.38 (35)	—	—	—	—	—	—	—	—	—	—	—
	GU	1.63 (41)	—	—	—	—	—	—	—	—	—	—	—
3/4" (M20)	MIN	1.38 (35)	1.5 (38)	—	—	—	—	—	—	—	—	—	—
	PRE	1.5 (38)	1.63 (41)	—	—	—	—	—	—	—	—	—	—
	GU	1.75 (44)	1.81 (46)	—	—	—	—	—	—	—	—	—	—
1" (M25)	MIN	1.5 (38)	1.75 (44)	1.81 (46)	—	—	—	—	—	—	—	—	—
	PRE	1.75 (44)	1.88 (48)	2 (108)	—	—	—	—	—	—	—	—	—
	GU	1.88 (48)	2 (108)	2.13 (54)	—	—	—	—	—	—	—	—	—
1-1/4" (M32)	MIN	1.69 (43)	1.94 (49)	2.06 (52)	2.31 (59)	—	—	—	—	—	—	—	—
	PRE	1.94 (49)	2.06 (52)	2.25 (57)	2.5 (64)	—	—	—	—	—	—	—	—
	GU	2.06 (52)	2.25 (57)	2.31 (59)	2.5 (64)	—	—	—	—	—	—	—	—
1-1/2" (M40)	MIN	1.94 (49)	2.06 (52)	2.19 (56)	2.5 (64)	2.63 (67)	—	—	—	—	—	—	—
	PRE	2.13 (54)	2.25 (57)	2.38 (60)	2.63 (67)	2.75 (70)	—	—	—	—	—	—	—
	GU	2.19 (56)	2.28 (58)	2.44 (62)	2.63 (67)	2.75 (70)	—	—	—	—	—	—	—
2" (M50)	MIN	2.25 (57)	2.38 (60)	2.56 (65)	2.81 (71)	2.94 (75)	3.19 (81)	—	—	—	—	—	—
	PRE	2.38 (60)	2.5 (64)	2.75 (70)	3 (76)	3.13 (97)	3.38 (86)	—	—	—	—	—	—
	GU	2.5 (64)	2.59 (66)	2.75 (70)	3 (76)	3.13 (97)	3.38 (86)	—	—	—	—	—	—
2-1/2" (M63)	MIN	2.44 (62)	2.56 (65)	2.75 (70)	3 (76)	3.13 (97)	3.38 (86)	3.63 (92)	—	—	—	—	—
	PRE	2.63 (67)	2.75 (70)	3 (76)	3.25 (82)	3.38 (86)	3.63 (92)	4 (102)	—	—	—	—	—
	GU	3.13 (97)	3.22 (82)	3.38 (86)	3.56 (90)	3.69 (94)	4 (102)	4.63 (117)	—	—	—	—	—
3" (M75)	MIN	2.81 (71)	2.94 (75)	3.06 (78)	3.31 (84)	3.44 (87)	3.75 (95)	4 (102)	4.31 (110)	—	—	—	—
	PRE	3 (76)	3.13 (97)	3.38 (86)	3.63 (92)	3.75 (95)	4 (102)	4.38 (111)	4.75 (121)	—	—	—	—
	GU	3.56 (90)	3.66 (93)	3.81 (97)	4 (102)	4.13 (105)	4.44 (113)	5.06 (129)	5.5 (140)	—	—	—	—
3-1/2" (M80)	MIN	3.13 (97)	3.25 (82)	3.38 (86)	3.63 (92)	3.75 (95)	4.06 (103)	4.31 (110)	4.63 (117)	4.94 (125)	—	—	—
	PRE	3.38 (86)	3.5 (89)	3.63 (92)	3.88 (98)	4 (102)	4.38 (111)	4.63 (117)	5 (127)	5.38 (136)	—	—	—
	GU	4 (102)	4.09 (104)	4.25 (108)	4.44 (113)	4.56 (116)	4.88 (124)	5.5 (140)	5.94 (151)	6.38 (162)	—	—	—
4" (M100)	MIN	3.44 (87)	3.56 (90)	3.69 (94)	3.94 (100)	4.06 (103)	4.38 (111)	4.63 (117)	4.94 (125)	5.25 (133)	5.56 (141)	—	—
	PRE	3.75 (95)	3.88 (98)	4 (102)	4.25 (108)	4.38 (111)	4.75 (121)	5 (127)	5.75 (146)	5.63 (143)	6 (152)	—	—
	GU	4 (102)	4.09 (104)	4.25 (108)	4.44 (113)	4.56 (116)	4.88 (124)	5.5 (140)	5.94 (151)	6.38 (162)	6.38 (162)	—	—
5"	MIN	4.13 (105)	4.25 (108)	4.38 (111)	4.63 (117)	4.75 (121)	5 (127)	5.25 (133)	5.56 (141)	5.88 (149)	6.19 (157)	6.19 (157)	—
	PRE	4.38 (111)	4.5 (114)	4.63 (117)	4.88 (124)	5 (127)	5.38 (136)	5.63 (143)	6 (152)	6.25 (159)	6.63 (168)	7.25 (184)	—
6"	MIN	4.75 (121)	4.88 (124)	5 (127)	5.25 (133)	5.38 (136)	5.63 (143)	5.88 (149)	6.19 (157)	6.5 (165)	6.81 (173)	7.44 (190)	8.13 (206)
		5 (127)	5.13 (130)	5.25 (133)	5.5 (140)	5.63 (143)	6 (152)	6.25 (159)	6.63 (168)	7 (178)	7.25 (184)	8 (203)	8.63 (220)
LOCKNUT O.D.		1.25 (32)	1.13 (29)	1.69 (43)	2.19 (56)	2.44 (62)	3 (76)	3.44 (87)	4.19 (106)	4.81 (122)	5.38 (136)	6.69 (170)	7.94 (202)
CONDUIT BUSHING		1 (25)	1.25 (32)	1.5 (38)	1.88 (48)	2.13 (54)	2.63 (67)	3.19 (81)	3.88 (98)	4.44 (113)	5 (127)	6.25 (159)	7.38 (187)
CONDUIT O.D.			1.06 (27)	1.38 (35)	1.69 (43)	1.94 (49)	2.38 (60)	2.88 (73)	3.5 (89)	4 (102)	4.5 (114)	5.56 (141)	6.63 (168)

All dimension in. (mm)

MIN: The minimum space required to provide enough clearance over locknuts and bushings.
PRE: The preferred more liberal center to center spacing of openings. To be used whenever possible.
GU: The required spacing between openings using GUM Series male NPT unions.



ENCLOSURES
EXB SERIES

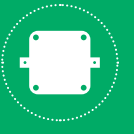
REPLACEMENT PARTS								
ENCLOSURE CATALOG NUMBER	COVER GASKET	MOUNTING LUG KIT CONTAINS FOUR MOUNTING LUGS AND HARDWARE	COVER BOLTS - SOLD PER EACH					HINGES
			NO. OF BOLTS PER ENCLOSURE	CARBON STEEL "N34"	316 STAINLESS STEEL "SU1"	316 STAINLESS STEEL TRI-LEAD "SUTL"	ATEX IEC EX 316 STAINLESS STEEL "CEN"	EXB BOXES (*) ADD "L" FOR LEFT OR "R" FOR RIGHT
EXB-664 N34	EXB66RG	EXB-MTL1	8	0725115B	25952BAAB	xxxxx	20790AAAB	HINGE-12*
EXB-886 N34	EXB88RG	EXB-MTL1	12	0725115B	25952BAAB	xxxxx	20790AAAB	HINGE-12*
EXB-8104 N34	EXB810RG	EXB-MTL1	14	0725115B	25952BAAB	xxxxx	20790AAAB	HINGE-12*
EXB-8106 N34	EXB810RG	EXB-MTL1	14	0725115B	25952BAAB	xxxxx	20790AAAB	HINGE-12*
EXB-8126 N34	EXB812RG	EXB-MTL1	12	0720361B	25952AAAB	17339AAAB	20790BAAB	HINGE-11*
EXB-8128 N34	EXB812RG	EXB-MTL1	12	0720361B	25952AAAB	17339AAAB	20790BAAB	HINGE-11*
EXB-10106 N34	EXB1010RG	EXB-MTL2	12	0720361B	25952AAAB	17339AAAB	20790BAAB	HINGE-11*
EXB-10108 N34	EXB1010RG	EXB-MTL2	12	0720361B	25952AAAB	17339AAAB	20790BAAB	HINGE-11*
EXB-10146 N34	EXB1014RG	EXB-MTL2	16	0720361B	25952AAAB	17339AAAB	20790BAAB	HINGE-11*
EXB-10148 N34	EXB1014RG	EXB-MTL2	16	0720361B	25952AAAB	17339AAAB	20790BAAB	HINGE-11*
EXB-12126 N34	EXB1212RG	EXB-MTL2	16	0720361B	25952AAAB	17339AAAB	20790BAAB	HINGE-11*
EXB-12128 N34	EXB1212RG	EXB-MTL2	16	0720361B	25952AAAB	17339AAAB	20790BAAB	HINGE-11*
EXB-12186 N34	EXB1212RG	EXB-MTL2	22	0720361B	25952AAAB	17339AAAB	20790BAAB	HINGE-11*
EXB-12188 N34	EXB1212RG	EXB-MTL2	22	0720361B	25952AAAB	17339AAAB	20790BAAB	HINGE-11*
EXB-12246 N34	EXB1224RG	EXB-MTL2	28	0720361B	25952AAAB	17339AAAB	20790BAAB	HINGE-11*
EXB-12248 N34	EXB1224RG	EXB-MTL2	28	0720361B	25952AAAB	17339AAAB	20790BAAB	HINGE-11*
EXB-122412 N34	EXB1224RG	EXB-MTL2	28	0720361B	25952AAAB	17339AAAB	20790BAAB	HINGE-11*
EXB-12368 N34	EXB1236RG	EXB-MTL2	38	0720361B	25952AAAB	17339AAAB	20790BAAB	HINGE-11*
EXB-123610 N34	EXB1236RG	EXB-MTL2	38	0720361B	25952AAAB	17339AAAB	20790BAAB	HINGE-11*
EXB-14146 N34	EXB1414RG	EXB-MTL2	20	0720361B	25952AAAB	17339AAAB	20790BAAB	HINGE-11*
EXB-14148 N34	EXB1414RG	EXB-MTL2	20	0720361B	25952AAAB	17339AAAB	20790BAAB	HINGE-11*
EXB-16166 N34	EXB1616RG	EXB-MTL2	24	0720361B	25952AAAB	17339AAAB	20790BAAB	HINGE-11*
EXB-16168 N34	EXB1616RG	EXB-MTL2	24	0720361B	25952AAAB	17339AAAB	20790BAAB	HINGE-11*
EXB-16248 N34	EXB1624RG	EXB-MTL2	30	0720361B	25952AAAB	17339AAAB	20790BAAB	HINGE-11*
EXB-162410 N34	EXB1624RG	EXB-MTL2	30	0720361B	25952AAAB	17339AAAB	20790BAAB	HINGE-11*
EXB-18186 N34	EXB1818RG	EXB-MTL2	24	0720361B	25952AAAB	17339AAAB	20790BAAB	HINGE-11*
EXB-18188 N34	EXB1818RG	EXB-MTL2	24	0720361B	25952AAAB	17339AAAB	20790BAAB	HINGE-11*
EXB-18248 N34	EXB1824RG	EXB-MTL2	34	0720362B	25952CAAB	17339AAAB	20790CAAB	HINGE-10*
EXB-182410 N34	EXB1824RG	EXB-MTL2	34	0720362B	25952CAAB	17339AAAB	20790CAAB	HINGE-10*
EXB-18308 N34	EXB1830RG	EXB-MTL2	40	0720362B	25952CAAB	xxxxx	20790CAAB	HINGE-10*
EXB-18368 N34	EXB1836RG	EXB-MTL2	44	0720362B	25952CAAB	xxxxx	20790CAAB	HINGE-10*
EXB-183610 N34	EXB1836RG	EXB-MTL2	44	0720362B	25952CAAB	xxxxx	20790CAAB	HINGE-10*
EXB-203611 N34	EXB2036RG	EXB-MTL2	48	0720362B	25952CAAB	xxxxx	20790CAAB	HINGE-10*
EXB-24248 N34	EXB2424RG	EXB-MTL2	40	0720362B	25952CAAB	xxxxx	20790CAAB	HINGE-10*
EXB-242410 N34	EXB2424RG	EXB-MTL2	40	0720362B	25952CAAB	xxxxx	20790CAAB	HINGE-10*
EXB-24308 N34	EXB2430RG	EXB-MTL2	50	0720361B	25952AAAB	17339AAAB	20790BAAB	HINGE-10*
EXB-24368 N34	EXB2436RG	EXB-MTL2	56	0720361B	25952AAAB	17339AAAB	20790BAAB	HINGE-10*
EXB-243610 N34	EXB2436RG	EXB-MTL2	56	0720361B	25952AAAB	17339AAAB	20790BAAB	HINGE-10*

Hinges

Hinges are provided as a standard on the EXB-8126 N4 and larger sizes. See the replacement part chart for the hinge's catalog number. Hinges are sold in sets of two. For hinges to be installed on smaller sizes add suffix "SU2" to catalog number.

Touch-Up Paint

The touch-up paint comes in a 12 oz aerosol can. Wet laquer silver gray touch-up paint: KTPALS Epoxy powder gray touch-up paint is a wet lacquer: KTPEPG



BLANK MOUNTING PANS

EXB / EXBLT Series Mounting Pans Ordering Instructions

Select proper mounting pan based on inside (length and width) of box. Order and price as separate item from junction box catalog number.

EXAMPLE:

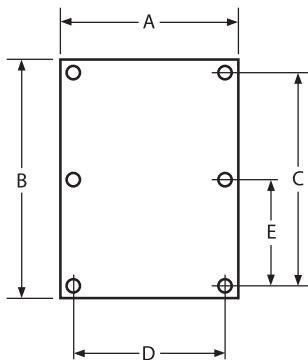
EXB-12186N34 (box) } assembly
15155 (mounting pan)

EXB / EXBLT Series boxes have cast bosses which are drilled and tapped for direct mounting when pans are ordered.

Mounting pans are $\frac{1}{8}$ " or 3-16" thick sheet aluminum and are sized to provide the maximum usable surface area when installed.

All EXB / EXBLT series boxes have internal bosses that are factory machined to accept mounting pans.

Dimensions



CATALOG NUMBER	NOMINAL INSIDE BOX SIZE		MOUNTING PAN DIMENSION		MOUNTING HOLE SPACINGS			PAN THICKNESS
	WIDTH	LENGTH	A WIDTH	B LENGTH	C	D	E	
7997-5	6"	6"	5"	5"	3"	3"	—	.125
7997-1	6"	8"	5"	7"	5"	3"	—	.125
7997-6	6"	12"	5"	11"	9"	3"	—	.125
7996-1	8"	8"	7"	7"	5"	5"	—	.125
7996-2	8"	10"	7"	9"	7"	5"	—	.125
17619	8"	12"	7"	11"	9"	5"	—	.125
17617	10"	14"	9"	13"	11"	7"	—	.125
17618	10"	10"	9"	9"	7"	7"	—	.125
7988-1	12"	12"	10-1/2"	10-1/2"	9"	9"	—	.125
15515	12"	18"	10"	16"	15"	9"	—	.125
7988-4	12"	24"	10-1/4"	22-1/4"	21"	9"	—	.125
17620	12"	36"	11"	35"	33"	9"	17-1/2"	.125
17621	14"	14"	13"	13"	11"	11"	—	.125
51705-1	14"	24"	12-1/2"	22-1/2"	11"	21"	—	.125
51698-1	14"	30"	12-1/2"	28-1/2"	11"	27"	13-1/2"	.125
7995-1	16"	16"	14"	14"	13"	13"	—	.125
7995-2	16"	24"	14-1/2"	23"	21"	13"	—	.125
17622	16"	24"	15"	23"	21"	13"	—	.125
17623	18"	18"	17"	17"	15"	15"	—	.190
15516	18"	24"	16-3/8"	22-1/8"	21"	15"	—	.125
22061	18"	30"	16"	29"	28"	15"	14"	.125
15517	18"	36"	16"	34"	33"	15"	16-1/2"	.125
17596	20"	36"	18-3/4"	34-3/4"	32-3/4"	16-3/4"	16-3/8"	.190
8000-1	24"	24"	22-1/4"	22-1/4"	21"	21"	—	.125
17624	24"	36"	23"	35"	33"	21"	16-1/2"	.190
20567	24"	30"	23"	29"	27"	21"	13-1/2"	.190

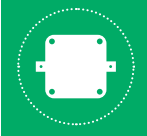
HINGES



HINGE-10L and HINGE-10R
HINGE-11L and HINGE-11R
HINGE-12L and HINGE-12R

For use with all EXB & EXBLT series boxes. Set of two hinges installed on flanged enclosures for easier and safer installation and maintenance of internal components.

HINGES		
CATALOG NUMBER	SERIES USED	MOUNTING SIDE
HINGE-10L	Larger sizes EXB / EXBLT	Left
HINGE-10R		Right
HINGE-11L	Mid Sizes EXB / EXBLT	Left
HINGE-11R		Right
HINGE-12L	Small EXB / EXBLT	Left
HINGE-12R		Right



ENCLOSURES

EXB / EXBLT OPTIONS

ROUND GLASS LENS COVERS / RECTANGULAR VIEWING WINDOWS



GL Series

GL ROUND GLASS LENS COVERS

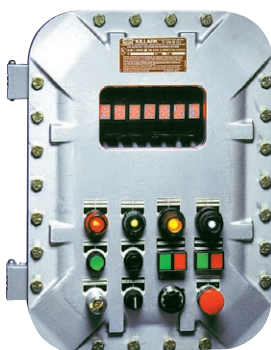
For use with all EXB and EXBLTC series boxes.

Tempered soda lime glass mounted into a copper free sand cast aluminum threaded frame. Five viewing sizes, 2.75" through 7.75". Factory installation only.

Maintains all third party certifications of the EXBs and EXBLTCs.

GL RECOMMENDED MINIMUM SPACING – CENTERLINE TO CENTERLINE							VIEWING DIAMETER	OUTSIDE DIAMETER
GLASS LENS TYPE	GL-275	GL-300	GL-375	GL-537	GL-600	GL-775		
GL-275	7 (177.8)	7.5 (190.5)	7.75 (196.9)	8.75 (222.3)	9 (228.6)	10 (254.0)	2.75 (69.9)	4.63 (117.6)
GL-300	7.5 (190.5)	8 (203.2)	8.25 (209.6)	9.25 (235.0)	9.5 (241.3)	10.5 (266.7)	2.93 (74.4)	5.25 (133.4)
GL-375	7.75 (196.9)	8.25 (209.6)	8.5 (215.9)	9.5 (241.3)	9.75 (247.7)	10.75 (273.1)	3.75 (95.3)	6.25 (158.8)
GL-537	8.75 (222.3)	9.25 (235.0)	9.5 (241.3)	10.5 (266.7)	10.75 (273.1)	11.75 (298.5)	5.38 (136.7)	7.88 (200.2)
GL-600	9 (228.6)	9.5 (241.3)	9.75 (247.7)	10.75 (273.1)	11 (279.4)	12 (304.8)	6 (152.4)	8.88 (225.6)
GL-775	10 (254.0)	10.5 (266.7)	10.75 (273.1)	11.75 (298.5)	12 (304.8)	13 (330.2)	7.75 (196.9)	10.25 (260.4)

Note: For spacing less than minimum in table, (shown in inches) consult factory.



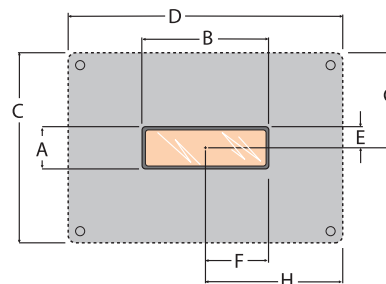
GLXR Series

GLXR RECTANGULAR VIEWING WINDOWS

For use with all EXB and EXBLTC series boxes. Tempered soda lime glass viewing lens. Additional viewing sizes available contact the factory for information.

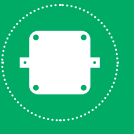
Factory installation only.

Maintains all third party certifications of the EXBs and EXBLTCs.

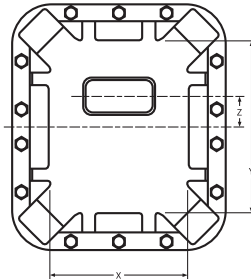


GLXR RECTANGULAR LENS COVER ASSEMBLIES								
CATALOG NUMBER	VIEWING AREA		MINIMUM SPACE		OTHER DIMENSIONS			
	A	B	C	D	E	F	G	H
GLXR13	1 (25.4)	3 (76.2)	4.5 (114.3)	6.5 (165.1)	0.5 (12.7)	1.5 (38.1)	2.25 (57.2)	3.25 (82.6)
GLXR24	2 (50.8)	4 (101.6)	5.5 (139.7)	7.5 (190.5)	1 (25.4)	2 (50.8)	2.72 (69.1)	3.75 (95.3)
GLXR27	2 (50.8)	7 (177.8)	5.5 (139.7)	10.5 (266.7)	1 (25.4)	3.5 (88.9)	2.75 (69.9)	5.25 (133.4)
GLXR34	3.5 (88.9)	4 (101.6)	7 (177.8)	7.5 (190.5)	1.75 (44.5)	2 (50.8)	3.5 (88.9)	3.75 (95.3)
GLXR36	3 (76.2)	6 (152.4)	6.5 (165.1)	9.5 (241.3)	1.5 (38.1)	3 (76.2)	3.25 (82.6)	4.75 (120.7)
GLXR47	4 (101.6)	7 (177.8)	7.5 (190.5)	10.5 (266.7)	2 (50.8)	3.5 (88.9)	3.75 (95.3)	5.25 (133.4)
GLXR59	5 (127.0)	9 (228.6)	8.5 (215.9)	12.5 (317.5)	2.5 (63.5)	4.5 (114.3)	4.25 (108.0)	6.25 (158.8)
GLXR99	9 (228.6)	9 (228.6)	12.5 (317.5)	12.5 (317.5)	4.5 (114.3)	4.5 (114.3)	6.25 (158.8)	6.25 (158.8)

All dimension in. (mm)



GLASS LENS COVER



GLXR LAYOUT GUIDE

CATALOG NUMBER	USEABLE COVER AREA		Z = MAXIMUM CENTER LINE OF COVER TO CENTERLINE OF GLASS LENS							
	X	Y	GLXR13	GLXR24	GLXR27	GLXR34	GLXR36	GLXR47	GLXR59	GLXR99
EXBLTC-684	5 (127)	7 (178)	1.25 (32)	N	N	N	N	N	N	N
EXBLTC-686	5 (127)	7 (178)	1.25 (32)	N	N	N	N	N	N	N
EXBLTC-6124	5 (127)	11 (279)	3.25 (83)	R	N	N	N	N	N	N
EXBLTC-6126	5 (127)	11 (279)	3.25 (83)	R	N	N	N	N	N	N
EXB/EXBLTC-886	7 (178)	7 (178)	1.25 (32)	0.75 (19)	N	N	N	N	N	N
EXB/EXBLTC-8104	7 (178)	9 (229)	2.25 (57)	1.75 (44)	N	1 (25)	N	N	N	N
EXB/EXBLTC-8106	7 (178)	9 (229)	2.25 (57)	1.75 (44)	N	1 (25)	N	N	N	N
EXB/EXBLTC-8126	7 (178)	11 (279)	3.25 (83)	2.75 (70)	N	2 (51)	N	N	N	N
EXB/EXBLTC-8128	7 (178)	11 (279)	3.25 (83)	2.75 (70)	N	2 (51)	N	N	N	N
EXBLTC-9116	8 (203)	10 (254)	2.75 (70)	2.25 (57)	N	1.5 (38)	N	N	N	N
EXB/EXBLTC-10106	9 (229)	9 (229)	2.25 (57)	1.75 (44)	N	1 (25)	N	N	N	N
EXB/EXBLTC-10108	9 (229)	9 (229)	2.25 (57)	1.75 (44)	N	1 (25)	N	N	N	N
EXB/EXBLTC-10146	9 (229)	13 (330)	4.25 (108)	3.75 (95)	R	3 (76)	R	R	R	N
EXB/EXBLTC-10148	9 (229)	13 (330)	4.25 (108)	3.75 (95)	R	3 (76)	R	R	R	N
EXB/EXBLTC-12126	10 (254)	10 (254)	2.75 (70)	2.25 (57)	2.25 (57)	1.5 (38)	1.75 (44)	1.25 (32)	N	N
EXB/EXBLTC-12128	10 (254)	10 (254)	2.75 (70)	2.25 (57)	2.25 (57)	1.5 (38)	1.75 (44)	1.25 (32)	N	N
EXB/EXBLTC-12186	10 (254)	16 (406)	5.75 (146)	5.25 (133)	5.25 (133)	4.5 (114)	4.75 (121)	4.25 (108)	N	N
EXB/EXBLTC-12188	10 (254)	16 (406)	5.75 (146)	5.25 (133)	5.25 (133)	4.5 (114)	4.75 (121)	4.25 (108)	N	N
EXB/EXBLTC-12246	10.3 (260)	22.3 (565)	8.88 (226)	8.38 (213)	8.38 (213)	7.63 (194)	7.88 (200)	7.38 (188)	R	N
EXB/EXBLTC-12248	10.3 (260)	22.3 (565)	8.88 (226)	8.38 (213)	8.38 (213)	7.63 (194)	7.88 (200)	7.38 (188)	R	N
EXB-122412	10.3 (260)	22.3 (565)	8.88 (226)	8.38 (213)	8.38 (213)	7.63 (194)	7.88 (200)	7.38 (188)	R	N
EXB-12368	11 (279)	35 (889)	15.25 (387)	14.75 (375)	14.75 (375)	14 (356)	14.25 (362)	13.75 (349)	N	N
EXB-123610	11 (279)	35 (889)	15.25 (387)	14.75 (375)	14.75 (375)	14 (356)	14.25 (362)	13.75 (349)	N	N
EXB-14146	13 (330)	13 (330)	4.25 (108)	3.75 (95)	3.75 (95)	3 (76)	3.25 (83)	2.75 (70)	2.25 (57)	*
EXB/EXBLTC-14148	13 (330)	13 (330)	4.25 (108)	3.75 (95)	3.75 (95)	3 (76)	3.25 (83)	2.75 (70)	2.25 (57)	*
EXB-16166	14 (356)	14 (356)	4.75 (121)	4.25 (108)	4.25 (108)	3.5 (89)	3.75 (95)	3.25 (83)	2.75 (70)	0.75 (19)
EXB/EXBLTC-16168	14 (356)	14 (356)	4.75 (121)	4.25 (108)	4.25 (108)	3.5 (89)	3.75 (95)	3.25 (83)	2.75 (70)	0.75 (19)
EXB/EXBLTC-16248	14 (356)	22 (559)	8.75 (222)	8.25 (210)	8.25 (210)	7.5 (190)	7.75 (197)	7.25 (184)	6.75 (172)	4.75 (121)
EXB-162410	14 (356)	22 (559)	8.75 (222)	8.25 (210)	8.25 (210)	7.5 (190)	7.75 (197)	7.25 (184)	6.75 (172)	4.75 (121)
EXB-18186	16 (406)	16 (406)	5.75 (146)	5.25 (133)	5.25 (133)	4.5 (114)	4.75 (121)	4.25 (108)	3.75 (95)	1.75 (44)
EXB-18188	16 (406)	16 (406)	5.75 (146)	5.25 (133)	5.25 (133)	4.5 (114)	4.75 (121)	4.25 (108)	3.75 (95)	1.75 (44)
EXB-18248	16 (406)	22 (559)	8.75 (222)	8.25 (210)	8.25 (210)	7.5 (190)	7.75 (197)	7.25 (184)	6.75 (172)	4.75 (121)
EXB-182410	16 (406)	22 (559)	8.75 (222)	8.25 (210)	8.25 (210)	7.5 (190)	7.75 (197)	7.25 (184)	6.75 (172)	4.75 (121)
EXB-18308	16 (406)	29 (737)	12.25 (311)	11.75 (298)	11.75 (298)	11 (279)	11.25 (286)	9.75 (248)	10.25 (260)	8.25 (210)
EXB-18368	16 (406)	34 (864)	14.75 (375)	14.25 (362)	14.25 (362)	13.5 (343)	13.75 (349)	13.25 (336)	12.75 (324)	10.75 (273)
EXB-183610	16 (406)	34 (864)	14.75 (375)	14.25 (362)	14.25 (362)	13.5 (343)	13.75 (349)	13.25 (336)	12.75 (324)	10.75 (273)
EXB-203611	18.9 (480)	34.9 (886)	15.18 (386)	14.68 (373)	14.68 (373)	13.94 (354)	14.19 (360)	13.68 (348)	13.19 (335)	11.19 (284)
EXB-24248	22 (559)	22 (559)	8.75 (222)	8.25 (210)	8.25 (210)	7.5 (190)	7.75 (197)	7.25 (184)	6.75 (172)	4.75 (121)
EXB-242410	22 (559)	22 (559)	8.75 (222)	8.25 (210)	8.25 (210)	7.5 (190)	7.75 (197)	7.25 (184)	6.75 (172)	4.75 (121)
EXB-24308	22 (559)	28 (711)	11.75 (298)	11.25 (286)	11.25 (286)	10.5 (267)	10.75 (273)	10.25 (260)	9.75 (248)	7.75 (197)
EXB-24368	22 (559)	34 (864)	14.75 (375)	14.25 (362)	14.25 (362)	13.5 (343)	13.75 (349)	13.25 (336)	12.75 (324)	10.75 (273)
EXB-243610	22 (559)	34 (864)	14.75 (375)	14.25 (362)	14.25 (362)	13.5 (343)	13.75 (349)	13.25 (336)	12.75 (324)	10.75 (273)

All dimension in. (mm)

Symbols: N = Enclosure will not accommodate this lens size
 R = Rotate lens 90°, consult factory for layout assistance
 * = Indicates center line



ENCLOSURES
B7E SERIES

JUNCTION BOXES



B7E

Empty / Control Enclosure

NEC / CEC Certifications

Class I, Div. 1 & 2, Groups B, C, & D

Class I Zone 1 IIB+H2 Gb

Class II, Div. 1 & 2, Groups E, F, & G

Class III

Type 3, 4, 4X

Ta = -25°C to +40°C

Ta = -50°C to +40°C



File E83969

Certificate LR11716

FEATURES-SPECIFICATIONS

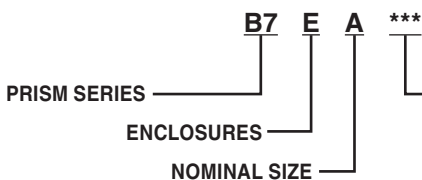
Features

- Copper-free cast aluminum construction – high strength, light in weight, corrosion resistant
- Quick release, captive cover bolts of 316 Grade Stainless Steel. Triple-lead bolts require only 3-½ turns to disengage. Stainless steel (316 grade) for maximum protection from corrosion.
- Nitrile (BUNA-N) “O” ring gasket is located inside bolt circle to prevent water seeping into enclosure
- Mounting lugs are made of ductile aluminum alloy to adjust to irregular mounting surfaces without damaging the enclosure.
- Hinged cover is standard
- Recessed Flange Notches – Flanges are notched to allow for easier cover opening with prying instrument without flange damage
- Conduit openings can be supplied at factory, or can be field installed

Materials

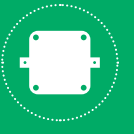
- Enclosure: Copper-free aluminum (less than ¼ of 1%)
- Hinges: Aluminum with stainless steel hardware
- Cover Bolts: 316 stainless steel
- Finish: Aluminum lacquer standard except B7EP and B7EQ which are powder epoxy.

CATALOG LOGIC



SUFFIXES

- SU3B-4X** – Type 4X drain and breather installed Groups BCD
 - SU3B-ATEX** – ATEX IEC Ex drain & breather installed Groups B & Ex d+IIB
 - SU2** – Install hinges
 - SU9** – Special paint
 - SU93** – Do not paint
- Additional suffixes are available*



JUNCTION BOXES

Figure 1

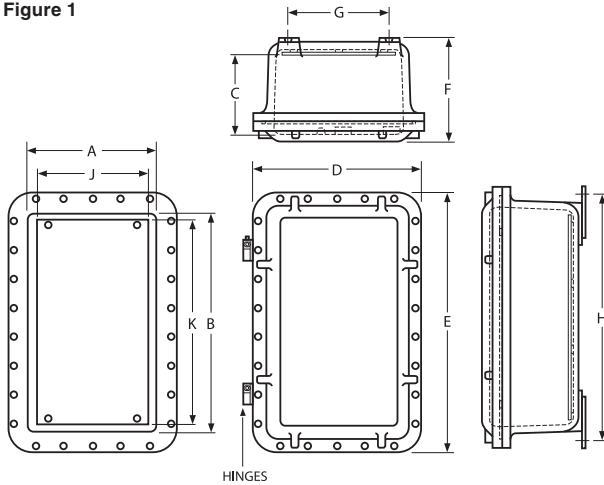
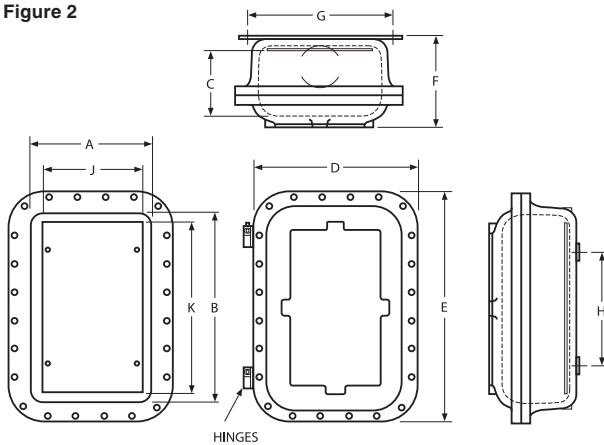


Figure 2



MODIFICATIONS	
SUFFIX NUMBER	DESCRIPTION
KIT-251	100 amp ground lug
KIT-252	225 amp ground lug
SU3B-QA	cCSAus, ATEX, IEC Ex drain and breather installed Class I Groups C & D & Ex d IIB, Type 4, 4X, IP66
SU3B-4X	UL and CSA drain and breather installed Class I Groups B, TYPE 4, 4X
SU9PEEX	External gray powder coated epoxy paint
SU14	Fungus proof internally
SU9	Special paint- specify
SU93	Do not paint enclosure
TOE PLATE KIT	Door guide plate to assist in aligning and installing cover bolts

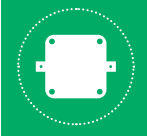
B7E JUNCTION BOXES AND ENCLOSURES			
CATALOG NUMBER	PAN		
	CATALOG NUMBER	WIDTH (J)	LENGTH (K)
B7EA	19919	5"	11-3/4"
B7EB	19920	8-1/4"	16-3/4"
B7EC	18245	6-1/4"	13-3/4"
B7ED	19921	8-3/8"	19-3/8"
B7EE	19923	6-3/8"	20-3/8"
B7EF	18472	11-5/8"	21-1/4"
B7EG	19924	10"	28"
B7EH	19925	15-3/8"	28-3/8"
B7EK	19926	11"	18"
B7EL	19927	11"	27"
B7EM	19928	11"	39"
B7EN	19929	11"	47"
B7EP	—	N/A	N/A
B7EQ	—	N/A	N/A

Internal Mounting Pan Thickness is 1/8" except on B7EJ it is 3/16" thick.

B7E JUNCTION BOXES AND ENCLOSURES												
CATALOG NUMBER	DIMENSIONS								DRAWING FIGURE	MAXIMUM CONDUIT SIZE		MAXIMUM NUMBER OF OPERATORS
	NOMINAL INSIDE			OUTSIDE			MOUNTING			TOP AND BOTTOM	SIDES	
	WIDTH (A)	LENGTH (B)	DEPTH (C)	WIDTH (D)	LENGTH (E)	DEPTH (F)	WIDTH (G)	LENGTH (H)				
B7EA	6-1/2"	13-1/2"	6-11/16"	11"	18"	9-1/8"	3-5/8"	16-3/8"	1	1-1/2"	1"	4 rows of 2 = 8
B7EB	10"	18-1/2"	6-5/8"	14-1/2"	23"	9-1/8"	7"	21-3/8"	1	1-1/2"	1"	7 rows of 3 = 21
B7EC	8"	15-1/2"	6-11/16"	12-1/2"	20"	9-1/8"	5"	18-3/8"	1	1-1/2"	1"	5 rows of 2 = 10
B7ED	10"	21"	6-11/16"	14-1/2"	25-1/2"	9-1/8"	7"	23-7/8"	1	1-1/2"	1"	8 rows of 3 = 24
B7EE	8"	21-3/4"	8-5/16"	12-1/2"	26-1/4"	10-3/4"	5"	24-5/8"	1	2"	2"	8 rows of 2 = 16
B7EF	13"	22-3/4"	8-3/8"	17-7/8"	27-1/4"	11"	10-3/8"	25-5/8"	1	4"	4"	8 rows of 4 = 32
B7EG	12"	29-3/4"	8-7/8"	16-1/2"	34-1/4"	11-1/2"	9"	32-5/8"	1	5"	4"	8 rows of 3 = 24
B7EH	17"	29-3/4"	8-11/16"	21-1/2"	34-1/4"	11-7/8"	14"	32-5/8"	1	5"	4"	9 rows of 5 = 45
B7EK	13"	20"	6-5/8"	17-1/2"	24-3/4"	9-1/2"	15-1/4"	13"	2	3"	1-1/2"	6 rows of 4 = 24
B7EL	13"	29"	6-5/8"	17-1/2"	33-3/8"	9-1/2"	15-1/4"	21"	2	3"	1-1/2"	9 rows of 4 = 36
B7EM	13"	41"	6-5/8"	17-1/2"	45-3/8"	9-1/2"	15-1/4"	33"	2	3"	1-1/2"	14 rows of 4 = 56
B7EN	13"	50"	6-5/8"	17-1/2"	54-3/8"	9-1/2"	15-1/4"	42"	2	3"	1-1/2"	17 rows of 4 = 68
B7EP	3-5/8"	5-13/16"	5-1/16"	5-3/4"	8-1/16"	6-5/16"	3-1/8"	8-1/8"	1	1"	1"	1 row of 2 = 2
B7EQ	4-1/4"	9-3/16"	6-5/16"	8-1/8"	13-1/16"	7-13/16"	6-3/8"	7-1/2"	2	1-1/2"	1-1/2"	1 row of 4 = 4

All Conduits must be sealed within 18" when used in Group B Locations.

Operator spacing is 2-1/2" \pm to \pm except on B7EG & B7EH spacing is 3" \pm to \pm . Internal Mounting Pan Thickness is 1/8". Consult Killark for drawing details before layout of cover devices. Maximum number of "G" series control operators permitted in cover, down + across = total.



ENCLOSURES B7E SERIES

CONDUIT OPENING DATA

Instructions

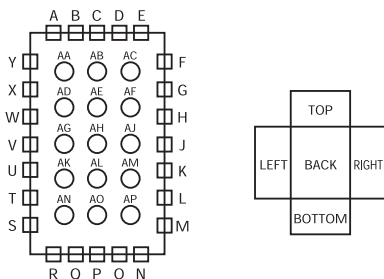
Drilled and tapped conduit openings will be evenly spaced and located in the area indicated on the location chart. Critical conduit opening locations may be indicated by supplying a diagram similar to the one shown at right indicating critical dimensions and locations. Specific conduit openings must be located dimensionally from box centerlines to conduit centerlines and from outside back surface of box to conduit centerline.

Ordering Information:

- (1) Select the letter on location chart which indicates conduit opening position desired.
- (2) Select symbol number from chart which indicates conduit opening type and size.

(3) Combine the conduit location letter, size and type number, and add as a suffix to junction box catalog number.

Example: EXB-12248 N34-C3-J5-PI3-AH4



Drawing indicates position as looking into open face of box with short side (top) up.

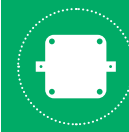
EXB/EXBLT/B7/GR SYMBOL NUMBERS		
CONDUIT SIZE	CONDUIT OPENINGS DRILLED AND TAPPED	UNION
1/2"	1	11
3/4"	2	12
1"	3	13
1-1/4"	4	14
1-1/2"	5	15
2"	6	16
2-1/2"	7	17
3"	8	18
3-1/2"	9	19
4"	0	10
5"	02	—
6"	04	—

Union = GUM series male NPT unions

EXB/EXBLT/B7/GR - MINIMUM CENTER TO CENTER SPACING FOR DRILLED AND TAPPED OPENINGS AND UNION HUBS														
NPT (METRIC)	SPACE CENTERS	1/2" (M16)	3/4" (M20)	1" (M25)	1-1/4" (M32)	1-1/2" (M40)	2" (M50)	2-1/2" (M63)	3" (M75)	3-1/2" (M80)	4" (M100)	5"	6"	
1/2" (M16)	MIN	1.18 (30)	—	—	—	—	—	—	—	—	—	—	—	—
	PRE	1.38 (35)	—	—	—	—	—	—	—	—	—	—	—	—
	GU	1.63 (41)	—	—	—	—	—	—	—	—	—	—	—	—
3/4" (M20)	MIN	1.38 (35)	1.5 (38)	—	—	—	—	—	—	—	—	—	—	—
	PRE	1.5 (38)	1.63 (41)	—	—	—	—	—	—	—	—	—	—	—
	GU	1.75 (44)	1.81 (46)	—	—	—	—	—	—	—	—	—	—	—
1" (M25)	MIN	1.5 (38)	1.75 (44)	1.81 (46)	—	—	—	—	—	—	—	—	—	—
	PRE	1.75 (44)	1.88 (48)	2 (108)	—	—	—	—	—	—	—	—	—	—
	GU	1.88 (48)	2 (108)	2.13 (54)	—	—	—	—	—	—	—	—	—	—
1-1/4" (M32)	MIN	1.69 (43)	1.94 (49)	2.06 (52)	2.31 (59)	—	—	—	—	—	—	—	—	—
	PRE	1.94 (49)	2.06 (52)	2.25 (57)	2.5 (64)	—	—	—	—	—	—	—	—	—
	GU	2.06 (52)	2.25 (57)	2.31 (59)	2.5 (64)	—	—	—	—	—	—	—	—	—
1-1/2" (M40)	MIN	1.94 (49)	2.06 (52)	2.19 (56)	2.5 (64)	2.63 (67)	—	—	—	—	—	—	—	—
	PRE	2.13 (54)	2.25 (57)	2.38 (60)	2.63 (67)	2.75 (70)	—	—	—	—	—	—	—	—
	GU	2.19 (56)	2.28 (58)	2.44 (62)	2.63 (67)	2.75 (70)	—	—	—	—	—	—	—	—
2" (M50)	MIN	2.25 (57)	2.38 (60)	2.56 (65)	2.81 (71)	2.94 (75)	3.19 (81)	—	—	—	—	—	—	—
	PRE	2.38 (60)	2.5 (64)	2.75 (70)	3 (76)	3.13 (97)	3.38 (86)	—	—	—	—	—	—	—
	GU	2.5 (64)	2.59 (66)	2.75 (70)	3 (76)	3.13 (97)	3.38 (86)	—	—	—	—	—	—	—
2-1/2" (M63)	MIN	2.44 (62)	2.56 (65)	2.75 (70)	3 (76)	3.13 (97)	3.38 (86)	3.63 (92)	—	—	—	—	—	—
	PRE	2.63 (67)	2.75 (70)	3 (76)	3.25 (82)	3.38 (86)	3.63 (92)	4 (102)	—	—	—	—	—	—
	GU	3.13 (97)	3.22 (82)	3.38 (86)	3.56 (90)	3.69 (94)	4 (102)	4.63 (117)	—	—	—	—	—	—
3" (M75)	MIN	2.81 (71)	2.94 (75)	3.06 (78)	3.31 (84)	3.44 (87)	3.75 (95)	4 (102)	4.31 (110)	—	—	—	—	—
	PRE	3 (76)	3.13 (97)	3.38 (86)	3.63 (92)	3.75 (95)	4 (102)	4.38 (111)	4.75 (121)	—	—	—	—	—
	GU	3.56 (90)	3.66 (93)	3.81 (97)	4 (102)	4.13 (105)	4.44 (113)	5.06 (129)	5.5 (140)	—	—	—	—	—
3-1/2" (M80)	MIN	3.13 (97)	3.25 (82)	3.38 (86)	3.63 (92)	3.75 (95)	4.06 (103)	4.31 (110)	4.63 (117)	4.94 (125)	—	—	—	—
	PRE	3.38 (86)	3.5 (89)	3.63 (92)	3.88 (98)	4 (102)	4.38 (111)	4.63 (117)	5 (127)	5.38 (136)	—	—	—	—
	GU	4 (102)	4.09 (104)	4.25 (108)	4.44 (113)	4.56 (116)	4.88 (124)	5.5 (140)	5.94 (151)	6.38 (162)	—	—	—	—
4" (M100)	MIN	3.44 (87)	3.56 (90)	3.69 (94)	3.94 (100)	4.06 (103)	4.38 (111)	4.63 (117)	4.94 (125)	5.25 (133)	5.56 (141)	—	—	—
	PRE	3.75 (95)	3.88 (98)	4 (102)	4.25 (108)	4.38 (111)	4.75 (121)	5 (127)	5.75 (146)	5.63 (143)	6 (152)	—	—	—
	GU	4 (102)	4.09 (104)	4.25 (108)	4.44 (113)	4.56 (116)	4.88 (124)	5.5 (140)	5.94 (151)	6.38 (162)	6.38 (162)	—	—	—
5"	MIN	4.13 (105)	4.25 (108)	4.38 (111)	4.63 (117)	4.75 (121)	5 (127)	5.25 (133)	5.56 (141)	5.88 (149)	6.19 (157)	6.19 (157)	—	—
	PRE	4.38 (111)	4.5 (114)	4.63 (117)	4.88 (124)	5 (127)	5.38 (136)	5.63 (143)	6 (152)	6.25 (159)	6.63 (168)	7.25 (184)	—	—
6"	MIN	4.75 (121)	4.88 (124)	5 (127)	5.25 (133)	5.38 (136)	5.63 (143)	5.88 (149)	6.19 (157)	6.5 (165)	6.81 (173)	7.44 (190)	8.13 (206)	—
	PRE	5 (127)	5.13 (130)	5.25 (133)	5.5 (140)	5.63 (143)	6 (152)	6.25 (159)	6.63 (168)	7 (178)	7.25 (184)	8 (203)	8.63 (220)	—
LOCKNUT O.D.		1.25 (32)	1.13 (29)	1.69 (43)	2.19 (56)	2.44 (62)	3 (76)	3.44 (87)	4.19 (106)	4.81 (122)	5.38 (136)	6.69 (170)	7.94 (202)	—
CONDUIT BUSHING		1 (25)	1.25 (32)	1.5 (38)	1.88 (48)	2.13 (54)	2.63 (67)	3.19 (81)	3.88 (98)	4.44 (113)	5 (127)	6.25 (159)	7.38 (187)	—
CONDUIT O.D.			1.06 (27)	1.38 (35)	1.69 (43)	1.94 (49)	2.38 (60)	2.88 (73)	3.5 (89)	4 (102)	4.5 (114)	5.56 (141)	6.63 (168)	—

All dimension in. (mm)

MIN: The minimum space required to provide enough clearance over locknuts and bushings.
 PRE: The preferred more liberal center to center spacing of openings. To be used whenever possible.
 GU: The required spacing between openings using GUM Series male NPT unions.



JUNCTION BOXES



B7EP



B7EQ

B7E

Empty / Control Enclosure

NEC / CEC Certifications

Class I, Div. 1 & 2, Groups B, C, & D

Class I Zone 1 IIB+H2 Gb

Class II, Div. 1 & 2, Groups E, F, & G

Class III

Type 3, 4, 4X

Ta = -25°C to +40°C

Ta = -50°C to +40°C



File E83969

Certificate LR11716

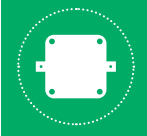
FEATURES-SPECIFICATIONS

Features

- Compact size enclosures for application flexibility
- Type 4, 4X rated – providing protection from hose directed water and corrosion
- Fewer cover bolts reduce installation and maintenance time
- Removable ductile mounting lugs adjust to irregular mounting surfaces
- See Controls section for “G Series” control operators and accessories
- Use ‘long style’ operators

Materials

- Enclosures: Copper-free aluminum (less than 1/10 of 1% copper content)
- Cover Bolts: 316 stainless steel
- O-ring Gasket: Silicone
- Finish: Grey Powder Polyester painted exterior, electrostatically applied.

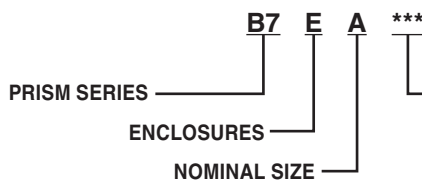


ENCLOSURES B7EP, B7EQ SERIES

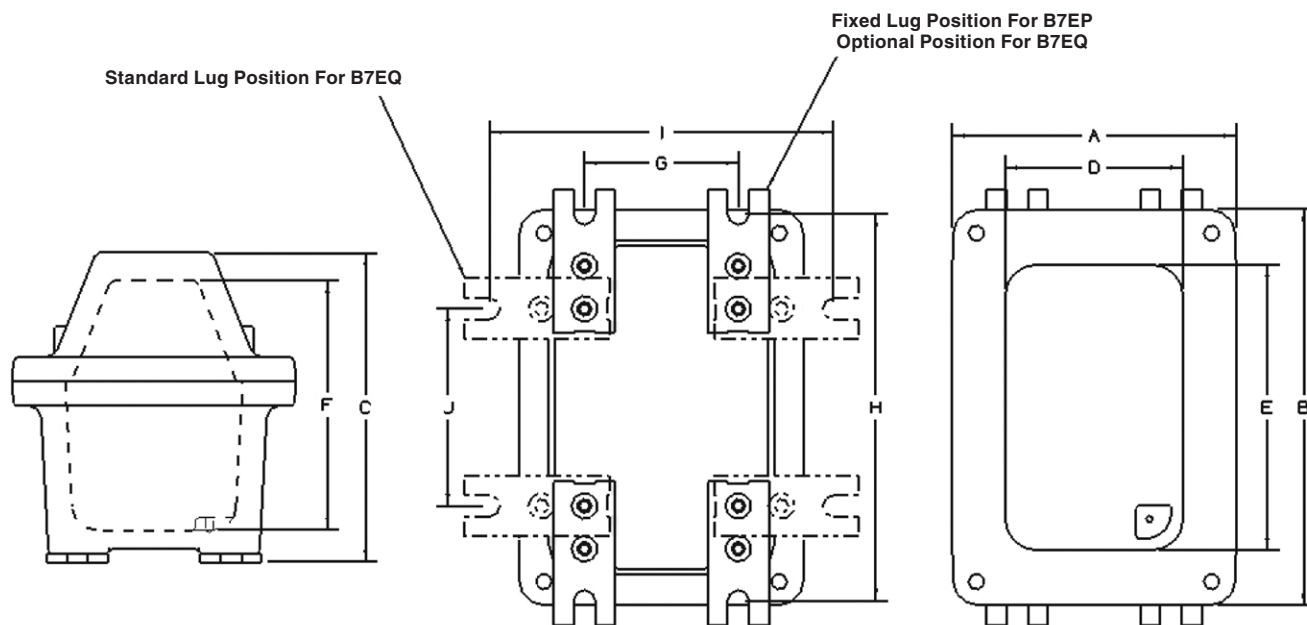
JUNCTION BOXES

MODIFICATIONS	
SUFFIX NUMBER	DESCRIPTION
KIT-251	100 amp ground lug
SU-2	HINGE-12L INSTALLED
SU3B4X	Drain and Breather installed (Class 1, Div. 1 & 2, Group B, C, and D, Type 4x)
SU9	Special paint finish
SU14	Fungus proofing of enclosure

CATALOG LOGIC



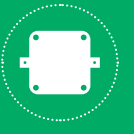
- SUFFIXES**
- SU3B-4X – Type 4X drain and breather installed Groups BCD
 - SU3B-ATEX – ATEX IEC Ex drain & breather installed Groups B & Ex d+IIB
 - SU2 – Install hinges
 - SU9 – Special paint
 - SU93 – Do not paint
- Additional suffixes are available*



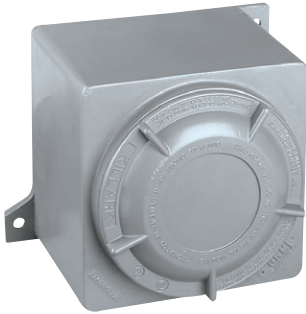
DIMENSIONS

CATALOG NUMBER	EXTERNAL DIMENSIONS			INTERNAL DIMENSIONS			MOUNTING DIMENSIONS				MAX. NO. OPERATORS	OPERATOR SPACING	MAX. SIZE CONDUIT
	A	B	C	D	E	F	G	H	I	J			
B7EP	5.75 (146)	8.06 (205)	6.31 (160)	3.63 (92)	5.81 (148)	5.06 (128)	3.13 (80)	8.13 (206)	N/A	N/A	2	2.5 (64)	1"
B7EQ	8.13 (207)	13.06 (332)	7.81 (198)	4.25 (108)	9.18 (233)	6.93 (176)	2.5 (64)	11.38 (289)	6.38 (162)	7.5 (190)	4	2 (51)	1-1/2"

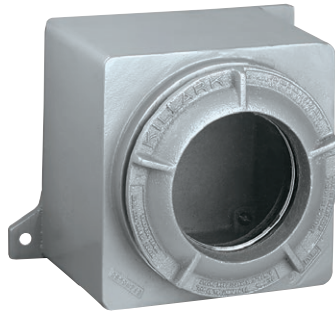
All dimension in. (mm)



THREADED ENCLOSURES



Box with blank cover



Box with lens cover



Box with dome cover



GR Empty Enclosures

NEC / CEC Certifications

Class I, Div. 1 & 2, Groups B, C, & D

Class I Zone 1 IIB+H2 Gb

Class II, Div. 1 & 2, Groups E, F, & G

Class III

Type 3, 4, 4X

Ta = -25°C to +40°C (UL)

Ta = -50°C to +40°C (CSA)



File E83969, File E10514



Certificate LR11716 - 1820607



File 2Y4A5.AE

ATEX / IEC Ex Certificate



II 2 G D CE 2813

Ex d IIC Gb T6 or T5

Ex tD A21 T80°C or T90°C

Service Temperature -20°C to +40°C

PTB ATEX1071U

PTB ATEX1072

IECEX PTB 05.0028U

IECEX PTB 05.002

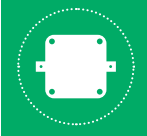
FEATURES-SPECIFICATIONS

Features

- Compact square or rectangular enclosure with threaded screw type cover provide easy access to interior
- Can be shipped in component parts and still maintain third party UL-CSA-FM approvals
- Available in three different cover types: flat blank, lens and dome covers
- Cast mounting lugs are standard on all assemblies
- Available as blank box or can be custom drilled and tapped for conduit openings which may be factory or field installed on the four sides or back wall
- Gaskets are standard on all assemblies and with covers when component part ordering
- Internal ground screw supplied on all boxes
- CEN suffix modification for ATEX/IEC Ex certification includes an external ground screw, cover locking screw, and nameplate displaying certification and area classifications. Feature is only available on complete assemblies and not available when component part ordering.

Materials

- Enclosures:
Copper-free aluminum
(less than 1/10 of 1%)
- Optional Mounting Pans:
Sheet aluminum
- Lens Cover Glass:
Tempered soda lime glass
- Cover Gaskets:
GRB, GRE, GRM, GRK, GRL
70 Durometer NITRILE
GRH, GRHA, GRHC
57 63 Durometer BUNA-N
- Finish: Electrostatically applied gray powder epoxy/polyester on box exterior and cover



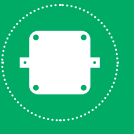
ENCLOSURES
GR SERIES

THREADED ENCLOSURES



For ATEX and IEC Ex Global Certifications Add Suffix "CEN" to the Catalog Logic

GR COMPLETE ASSEMBLIES									
COVER OPENING DIAMETER	NOMINAL EXTERNAL BOX DIMENSIONS WITHOUT COVER			CATALOG NUMBER		VIEWING AREA	CATALOG NUMBER	DEPTH OF DOME	MAXIMUM CONDUIT SIZE
	L	W	D	BOX WITH BLANK COVER	BOX WITH LENS COVER		BOX WITH DOME COVER		
3.906 (99.21)	4.63 (117.60)	4.63 (117.60)	4.15 (105.41)	GRB	GRB-275L	2.75 (70)	2GRB	2 (51)	1-1/2"
							4GRB	4 (102)	
4.34 (110.24)	6.63 (168.40)	5.5 (139.70)	5.25 (133.35)	GRE	GRE-300L	3 (76)	—	—	2"
5.28 (134.11)	6.87 (174.50)	6.87 (174.50)	5.93 (150.62)	GRM	GRM-375L	3.75 (95)	5GRM	5 (127)	2"
7.25 (184.15)	9.87 (250.70)	8.38 (212.85)	6.53 (165.86)	GRK	GRK-537L	5.38 (137)	4GRK	4 (102)	2-1/2"
7.87 (199.90)	10.5 (266.70)	8.87 (225.30)	7.18 (182.37)	GRL	GRL-600L	6 (152)	—	—	2"
9.63 (244.60)	12 (304.80)	11 (279.40)	7.63 (193.80)	GRH	GRH-775L	7.75 (197)	4GRH	4 (102)	3 1/2"
							8GRH	8 (203)	
9.63 (244.60)	12.18 (309.37)	11 (279.40)	11 (279.40)	GRHC	GRHC-775L	7.75 (197)	4GRHC	4 (102)	4"
							8GRHC	8 (203)	
9.63 (244.60)	12 (304.80)	11 (279.40)	16.18 (410.97)	GRHA	GRHA-775L	7.75 (197)	4GRHA	4 (102)	4"
							8GRHA	8 (203)	



THREADED ENCLOSURES



GR COMPONENT PARTS

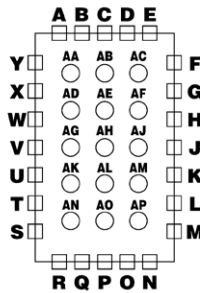
ENCLOSURE SERIES	CATALOG NUMBER OF COMPONENTS						
	BOX WITHOUT COVER	BLANK COVER	LENS COVER	DOME COVER	GASKET REPLACEMENT	FLAT PAN	DIMENSIONS FOR MTG. PANS
GRB	GRBB	GRB-BC	GL-275	2"- 2GRBD	GRB-RG	6086PAN	3.4 x 3.5 (86 x 89)
				4"- 4GRBD			
GRE	GREB	GRE-BC	GL-300	—	GRE-RG	6074	4 x 4.5 (102 x 114)
GRM	GRMB	GRM-BC	GL-375	5"- 5GRMD	GRM-RG	6064	5 x 5 (127 x 127)
GRK	GRKB	GRK-BC	GL-537	4"- 4GRKD	GRK-RG	6038	5.5 x 7.5 (140 x 191)
GRL	GRLB	GRL-BC	GL-600	—	GRL-RG	6053	6 x 8.5 (152 x 216)
GRH	GRHB	GRH-BC	GL-775	4"- 4GRHD	GRH-RG	6058	8 x 9 (203 x 229)
				8"- 8GRHD			
GRHC	GRHCB	GRH-BC	GL-775	4"- 4GRHD	GRH-RG	6058	8 x 9 (203 x 229)
				8"- 8GRHD			
GRHA	GRHAB	GRH-BC	GL-775	4"- 4GRHD	GRH-RG	6058	8 x 9 (203 x 229)
				8"- 8GRHD			

GR MODIFICATIONS

SUFFIX NUMBER	DESCRIPTION
CEN	ATEX and IEC Ex Certifications, IP66
P	Drill, tap and install Mounting Pan
SU-8	Drill and tap only for Mounting Pan
KIT-251	100 amp ground lug
KIT-252	200 amp ground lug
SU3B-QA	cCSAus, ATEX, IEC Ex drain and breather installed Class I Groups C & D and Ex d IIB, Type 4, 4x, IP66
SU3B-4X	UL and CSA drain and breather installed Class I Groups B, Type 4, 4x
SU3B-ATEX	UL CSA, ATEX, IEC Ex drain and breather installed Class I groups B and Ex d IIB, Voids Type 4 and IP66
SU-6	Remove external mounting lugs
SU14	Fungus Proof internally
SU9	Special paint - specify
SU93	Do not paint

Drilled and Tapped Conduit Openings

Boxes are furnished blank for field drilling and tapping of conduit openings. If factory openings are requested submit drawing or select from charts below.



SYMBOL NUMBER

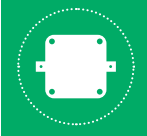
SIZE	SYMBOL
1/2"	1
3/4"	2
1"	3
1-1/4"	4
1-1/2"	5
2"	6
2-1/2"	7
3"	8
3-1/2"	9
4"	10

EXAMPLE: GRB-C3-J2-P1=
GRB enclosure with 1" NPT top center,
3/4" NPT right side center,
1/2" NPT bottom center

GR ENCLOSURE VOLUMES

CATALOG NUMBER	VOLUME CU IN (LT)
GRB	45 (0.74)
GRE	105 (1.72)
GRM	180 (2.95)
GRK	305 (5.00)
GRL	405 (6.64)
GRH	615 (10.09)
GRHA	1450 (23.78)
GRHC	985 (16.15)
GRB-275L	40 (0.66)
GRE-300L	95 (1.56)
GRM-375L	170 (2.79)
GRK-537L	280 (4.59)
GRL-600L	380 (6.23)
GRH-775L	570 (9.35)
GRHA-775L	1400 (22.96)
GRHC-775L	940 (15.42)
2GRB	60 (0.98)
4GRB	80 (1.31)
5GRM	250 (4.10)
4GRK	410 (6.72)
4GRH	820 (13.45)
8GRH	1050 (17.22)
4GRHA	1660 (27.22)
8GRHA	1890 (31.00)
4GRHC	1195 (19.60)
8GRHC	1425 (23.37)

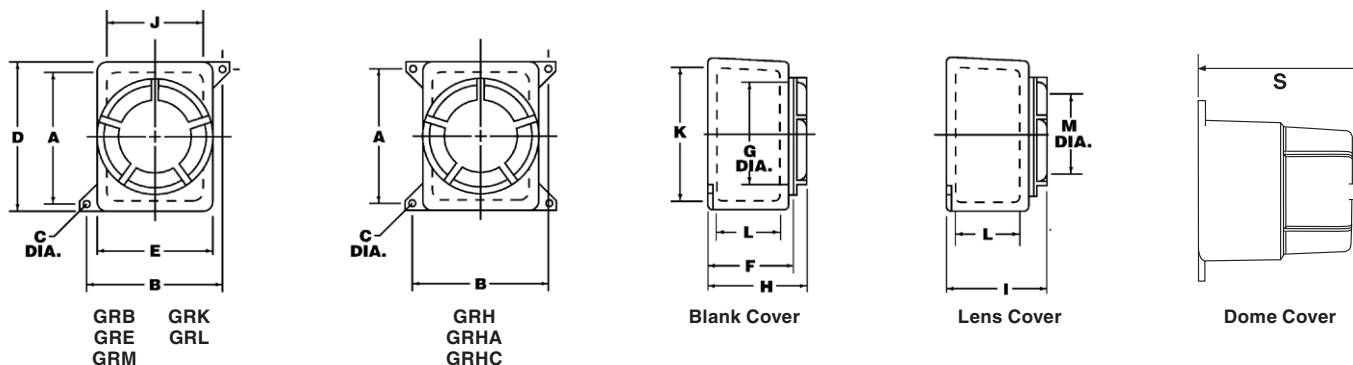
Notes: Replacement covers are supplied with the O-ring gasket. For Group B applications all conduit openings must be sealed within 18" (457mm) from the enclosure wall. For ATEX and IEC Ex applications all conduit and gland openings must be sealed immediately to the enclosure wall.



ENCLOSURES
GR SERIES

THREADED ENCLOSURES

DIMENSIONS



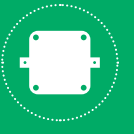
CAT. NO.	MOUNTING DIMENSIONS			EXTERNTAL DIMENSIONS			BLANK COVER		LENS COVER		INTERNAL DIMENSIONS			WEIGHT LBS (KG)
	A	B	C	D	E	F	G*	H	I	M+	J	K	L	
GRB	4 (102)	6 (527)	0.31 (8)	4.63 (118)	4.63 (118)	4.15 (105)	3.91 (99)	4.56 (116)	4.53 (116)	2.75 (70)	3.75 (95)	3.75 (95)	2.68 (68)	5.6 (2.54)
GRE	5.75 (146)	6.5 (165)	0.31 (8)	6.63 (168)	5.5 (149)	5.25 (133)	4.34 (110)	5.75 (146)	5.72 (145)	3 (76)	4.63 (118)	5.75 (146)	3.28 (83)	7.9 (4.4)
GRM	5.87 (149)	8.13 (206)	0.31 (8)	6.87 (174)	6.87 (174)	5.93 (151)	5.28 (134)	6.56 (167)	6.56 (167)	3.75 (95)	6 (527)	6 (527)	4.18 (106)	11.8 (5.4)
GRK	9.13 (232)	9.63 (245)	0.31 (8)	9.87 (251)	8.38 (213)	6.53 (166)	7.25 (184)	7.28 (185)	7.18 (182)	5.38 (137)	7.06 (179)	8.31 (211)	4.13 (105)	23.5 (10.7)
GRL	9.5 (241)	10.5 (267)	0.44 (11)	10.5 (267)	8.87 (225)	7.18 (182)	7.87 (200)	7.97 (202)	7.93 (201)	6 (527)	7.63 (194)	9.13 (234)	4.93 (125)	26.2 (11.9)
GRH	10.75 (273)	12.13 (308)	0.44 (11)	12 (305)	11.63 (295)	7.63 (194)	9.63 (245)	8.38 (213)	8.63 (219)	7.75 (197)	9.5 (241)	10.5 (267)	5 (127)	39.7 (18)
GRHA	8.25 (207)	12.13 (308)	0.44 (11)	12 (305)	11.63 (295)	16.18 (411)	9.63 (245)	16.93 (430)	17.18 (436)	7.75 (197)	9.5 (241)	10.5 (267)	13.56 (344)	70.5 (32)
GRHC	8.25 (207)	12.13 (308)	0.56 (14)	12.18 (309)	11.63 (295)	11 (279)	9.63 (245)	11.75 (298)	12 (305)	7.75 (197)	9.56 (243)	10.63 (270)	8.43 (214)	54.9 (24.9)

Notes: All dimensions in. (mm)

*Box opening diameter

+Viewing lens diameter

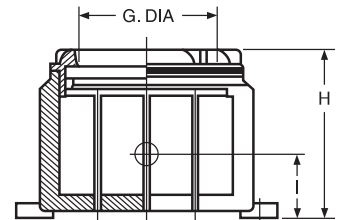
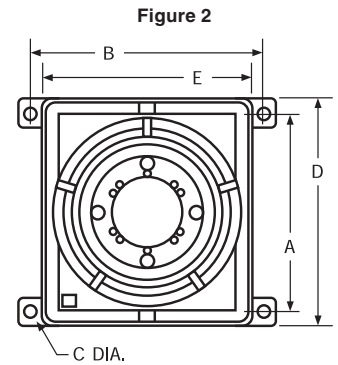
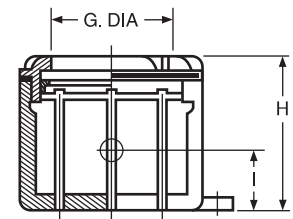
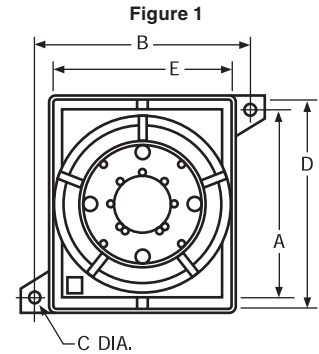
CATALOG NUMBER BASIC BOX W/DOME COVER	S DIM INCHES (MM)
2GRB	7 (177.80)
4GRB	9 (228.60)
5GRM	12.25 (311.15)
4GRK	11.93 (303.02)
4GRH	13 (330.20)
8GRH	17 (431.80)
4GRHA	21.5 (546.10)
8GRHA	25.5 (647.70)
4GRHC	16.31 (414.27)
8GRHC	20.31 (515.88)



INSTRUMENT ENCLOSURES

DIMENSIONS

RECOMMENDED GR ENCLOSURE BASED ON INSTRUMENT MODEL (INSTRUMENTS NOT SUPPLIED)				
CATALOG NUMBER	MANUFACTURER	INSTRUMENT		
		MODEL	SIZE	TYPE
GRM-375L52	Weston	1930 Series	3-1/2"	Rectangular
		301 Series	3"	Rectangular
		301 Series	3-1/2"	Round
GRM-375L52	General Electric	KT w/o reset	3"	Rectangular
		KT w/o reset	3-1/2"	Round
GRM-375L52	Cutler Hammer	R-351	3"	Rectangular
		B-351 w/o reset	3"	Rectangular
		N-351	3-1/2"	Round
GRM-375L52	Simpson	27, 27T, 37, 47, 57, 77 Series	3"	Rectangular
		2100 Series	3-1/2"	Rectangular
		25, 25T, 35, 45, 55 Series	3-1/2"	Round
		55ET	3-1/2"	Round
		75	3-1/2"	Round
		1300 Series	3-1/2"	Rectangular
		3223	3-1/2"	Round
3323	3-1/2"	Rectangular		
GRM-375L52	Cutler Hammer	N-371 Series	4-1/2"	Round
GRK-537L52A	Cutler Hammer	R-371 Series	4"	Rectangular
GRK-537L52A	Simpson	3224	4-1/2"	Round
GRK-537L52A	General Electric	250, 162, 167, 251 Series	3-1/2"	Rectangular
		178 Series	4-1/2"	Rectangular
		171 Series frequency meter	4-1/2"	Rectangular
		236 w/o Reset	3-1/2"	Rectangular
GRK-537L52B	Weston	1940 Series	4-1/2"	Rectangular
GRK-537L52B	General Electric	AB/DB-30 AC ammeter	4-1/2"	Rectangular
		AB/DB-30 AC/DC ammeter	4-1/2"	Rectangular
GRL-600L52B	General Electric	AB/DB-40 AC ammeter	4-1/2"	Rectangular
		DB-40 DC ammeter	4-1/2"	Rectangular
GRK-537L52B	General Electric	DB-40 DC voltmeter	4-1/2"	Rectangular
		171, 250, 251 Series	4-1/2"	Rectangular
		29, 29T, 39, 49, 59, 79, 1300, 2100 Series	4-1/2"	Rectangular
GRL-600L52C	Simpson	29, 29T, 39, 49, 59, 79, 1300, 2100 Series	4-1/2"	Rectangular
GRH-775L52B	General Electric	AB/DB-40 AC voltmeter	4-1/2"	Rectangular



GR DIMENSIONS									
CATALOG NUMBER	FIG. NO.	A	B	C	D	E	G	H	I
GRM-375L52	1	5-7/8"	8-1/8"	5/16"	6-7/8"	6-7/8"	3-9/16"	6-13/32"	2-5/8"
GRK-537L52A	1	9-1/8"	9-1/8"	5/16"	9-7/8"	7-7/8"	4-7/8"	6-11/16"	2-1/2"
GRK-537L52B	1	9-1/8"	9-1/8"	5/16"	9-7/8"	7-7/8"	4-7/8"	6-11/16"	2-1/2"
GRL-600L52B	1	9-1/2"	10-1/2"	7/16"	10-1/2"	8-7/8"	5-13/16"	7-17/32"	2-3/4"
GRL-600L52C	1	9-1/2"	10-1/2"	7/16"	10-1/2"	8-7/8"	5-13/16"	7-17/32"	2-3/4"
GRH-775L52B	2	10-3/4"	12-1/8"	7/16"	12"	11"	7-7/16"	8-3/4"	3"



ENCLOSURES

B7/EXBLT/EXB/GR SERIES

CONDUIT OPENING DATA

Instructions

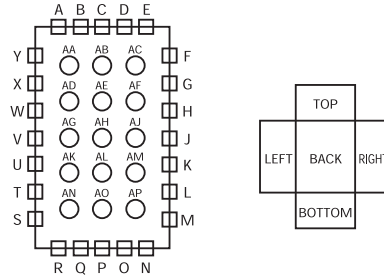
Drilled and tapped conduit openings will be evenly spaced and located in the area indicated on the location chart. Critical conduit opening locations may be indicated by supplying a diagram similar to the one shown at right indicating critical dimensions and locations. Specific conduit openings must be located dimensionally from box centerlines to conduit centerlines and from outside back surface of box to conduit centerline.

Ordering Information:

- (1) Select the letter on location chart which indicates conduit opening position desired.
- (2) Select symbol number from chart which indicates conduit opening type and size.

(3) Combine the conduit location letter, size and type number, and add as a suffix to junction box catalog number.

Example: EXB-12248 N34-C3-J5-PI3-AH4



Drawing indicates position as looking into open face of box with short side (top) up.

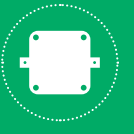
EXB/EXBLT/B7/GR SYMBOL NUMBERS		
CONDUIT SIZE	CONDUIT OPENINGS DRILLED AND TAPPED	UNION
1/2"	1	11
3/4"	2	12
1"	3	13
1-1/4"	4	14
1-1/2"	5	15
2"	6	16
2-1/2"	7	17
3"	8	18
3-1/2"	9	19
4"	0	10
5"	02	—
6"	04	—

Union = GUM series male NPT unions

EXB/EXBLT/B7/GR - MINIMUM CENTER TO CENTER SPACING FOR DRILLED AND TAPPED OPENINGS AND UNION HUBS														
NPT (METRIC)	SPACE CENTERS	1/2" (M16)	3/4" (M20)	1" (M25)	1-1/4" (M32)	1-1/2" (M40)	2" (M50)	2-1/2" (M63)	3" (M75)	3-1/2" (M80)	4" (M100)	5"	6"	
1/2" (M16)	MIN	1.18 (30)	—	—	—	—	—	—	—	—	—	—	—	
	PRE	1.38 (35)	—	—	—	—	—	—	—	—	—	—	—	
	GU	1.63 (41)	—	—	—	—	—	—	—	—	—	—	—	
3/4" (M20)	MIN	1.38 (35)	1.5 (38)	—	—	—	—	—	—	—	—	—	—	
	PRE	1.5 (38)	1.63 (41)	—	—	—	—	—	—	—	—	—	—	
	GU	1.75 (44)	1.81 (46)	—	—	—	—	—	—	—	—	—	—	
1" (M25)	MIN	1.5 (38)	1.75 (44)	1.81 (46)	—	—	—	—	—	—	—	—	—	
	PRE	1.75 (44)	1.88 (48)	2 (108)	—	—	—	—	—	—	—	—	—	
	GU	1.88 (48)	2 (108)	2.13 (54)	—	—	—	—	—	—	—	—	—	
1-1/4" (M32)	MIN	1.69 (43)	1.94 (49)	2.06 (52)	2.31 (59)	—	—	—	—	—	—	—	—	
	PRE	1.94 (49)	2.06 (52)	2.25 (57)	2.5 (64)	—	—	—	—	—	—	—	—	
	GU	2.06 (52)	2.25 (57)	2.31 (59)	2.5 (64)	—	—	—	—	—	—	—	—	
1-1/2" (M40)	MIN	1.94 (49)	2.06 (52)	2.19 (56)	2.5 (64)	2.63 (67)	—	—	—	—	—	—	—	
	PRE	2.13 (54)	2.25 (57)	2.38 (60)	2.63 (67)	2.75 (70)	—	—	—	—	—	—	—	
	GU	2.19 (56)	2.28 (58)	2.44 (62)	2.63 (67)	2.75 (70)	—	—	—	—	—	—	—	
2" (M50)	MIN	2.25 (57)	2.38 (60)	2.56 (65)	2.81 (71)	2.94 (75)	3.19 (81)	—	—	—	—	—	—	
	PRE	2.38 (60)	2.5 (64)	2.75 (70)	3 (76)	3.13 (97)	3.38 (86)	—	—	—	—	—	—	
	GU	2.5 (64)	2.59 (66)	2.75 (70)	3 (76)	3.13 (97)	3.38 (86)	—	—	—	—	—	—	
2-1/2" (M63)	MIN	2.44 (62)	2.56 (65)	2.75 (70)	3 (76)	3.13 (97)	3.38 (86)	3.63 (92)	—	—	—	—	—	
	PRE	2.63 (67)	2.75 (70)	3 (76)	3.25 (82)	3.38 (86)	3.63 (92)	4 (102)	—	—	—	—	—	
	GU	3.13 (97)	3.22 (82)	3.38 (86)	3.56 (90)	3.69 (94)	4 (102)	4.63 (117)	—	—	—	—	—	
3" (M75)	MIN	2.81 (71)	2.94 (75)	3.06 (78)	3.31 (84)	3.44 (87)	3.75 (95)	4 (102)	4.31 (110)	—	—	—	—	
	PRE	3 (76)	3.13 (97)	3.38 (86)	3.63 (92)	3.75 (95)	4 (102)	4.38 (111)	4.75 (121)	—	—	—	—	
	GU	3.56 (90)	3.66 (93)	3.81 (97)	4 (102)	4.13 (105)	4.44 (113)	5.06 (129)	5.5 (140)	—	—	—	—	
3-1/2" (M80)	MIN	3.13 (97)	3.25 (82)	3.38 (86)	3.63 (92)	3.75 (95)	4.06 (103)	4.31 (110)	4.63 (117)	4.94 (125)	—	—	—	
	PRE	3.38 (86)	3.5 (89)	3.63 (92)	3.88 (98)	4 (102)	4.38 (111)	4.63 (117)	5 (127)	5.38 (136)	—	—	—	
	GU	4 (102)	4.09 (104)	4.25 (108)	4.44 (113)	4.56 (116)	4.88 (124)	5.5 (140)	5.94 (151)	6.38 (162)	—	—	—	
4" (M100)	MIN	3.44 (87)	3.56 (90)	3.69 (94)	3.94 (100)	4.06 (103)	4.38 (111)	4.63 (117)	4.94 (125)	5.25 (133)	5.56 (141)	—	—	
	PRE	3.75 (95)	3.88 (98)	4 (102)	4.25 (108)	4.38 (111)	4.75 (121)	5 (127)	5.75 (146)	6.38 (162)	6 (152)	—	—	
	GU	4 (102)	4.09 (104)	4.25 (108)	4.44 (113)	4.56 (116)	4.88 (124)	5.5 (140)	5.94 (151)	6.38 (162)	6.38 (162)	—	—	
5"	MIN	4.13 (105)	4.25 (108)	4.38 (111)	4.63 (117)	4.75 (121)	5 (127)	5.25 (133)	5.56 (141)	5.88 (149)	6.19 (157)	6.19 (157)	—	
	PRE	4.38 (111)	4.5 (114)	4.63 (117)	4.88 (124)	5 (127)	5.38 (136)	5.63 (143)	6 (152)	6.25 (159)	6.63 (168)	7.25 (184)	—	
6"	MIN	4.75 (121)	4.88 (124)	5 (127)	5.25 (133)	5.38 (136)	5.63 (143)	5.88 (149)	6.19 (157)	6.5 (165)	6.81 (173)	7.44 (190)	8.13 (206)	
	PRE	5 (127)	5.13 (130)	5.25 (133)	5.5 (140)	5.63 (143)	6 (152)	6.25 (159)	6.63 (168)	7 (178)	7.25 (184)	8 (203)	8.63 (220)	
LOCKNUT O.D.		1.25 (32)	1.13 (29)	1.69 (43)	2.19 (56)	2.44 (62)	3 (76)	3.44 (87)	4.19 (106)	4.81 (122)	5.38 (136)	6.69 (170)	7.94 (202)	
CONDUIT BUSHING		1 (25)	1.25 (32)	1.5 (38)	1.88 (48)	2.13 (54)	2.63 (67)	3.19 (81)	3.88 (98)	4.44 (113)	5 (127)	6.25 (159)	7.38 (187)	
CONDUIT O.D.			1.06 (27)	1.38 (35)	1.69 (43)	1.94 (49)	2.38 (60)	2.88 (73)	3.5 (89)	4 (102)	4.5 (114)	5.56 (141)	6.63 (168)	

All dimension in. (mm)

MIN: The minimum space required to provide enough clearance over locknuts and bushings.
PRE: The preferred more liberal center to center spacing of openings. To be used whenever possible.
GU: The required spacing between openings using GUM Series male NPT unions.



KB DRAINS / BREATHERS

UL / CSA / ATEX / IEC Ex Certified

See chart below for certifications

DRAINS / BREATHERS

When installed in the top or side wall of the enclosure it acts as a breather. When installed in the bottom of the enclosure the fitting allows moisture to drain out of the enclosure.

Features

Made of 6061 Aluminium or 316 stainless steel with internal nickel plated brass sinter flame arrestor.

Volume

For use in enclosures with a maximum internal volume to 9526 cubic inches (160 liters). See note for additional restriction.



KB1-4X



KB1B



KB1D



KBQA

CAT. NO.	TYPE	BODY MATERIAL	THREAD SIZE	USA	USA SUITABILITY	ENVIRO- MENTAL	CANADA	CANADA SUITABILITY	ENVIRO- MENTAL	IEC Ex / ATEX	IEC Ex ATEX SUITABILITY	ENVIRO- MENTAL
KB1B	Drain	Aluminum	1/2" NPT	UL, FM, CSAus	Class I Groups BCD Class I Zone 1 & 2 IIB+H2 Class II Groups EFG Class III Service Temperature -25°C to +40°C (KBQA see note for Group B Applications)	Type 3	CSA	Class I Groups CD Class I Zone 1 & 2 IIB Class II Groups EFG Class III Service Temperature -50°C to +40°C (KBQA = -50°C to +60°C. See note for Group B Applications)	Type 3	CSA/ SIRA	Ex db IIB+H2 Gb Ex db IIB Gb Ex tb IIIC Db Ambient Temperature -50°C to +60°C (KBQA = -60°C to +200°C. See note for IIB+H2 limitation)	IP44
KB1D	Drain											
KB1BCEN	Breather											
KB1DCEN	Drain	316 SS	M20	CSAus								
KB1DSS6CEN	Drain											
KBM20BCEN	Breather											
KBM20DCEN	Drain	Aluminum	1/2" NPT	CSAus								
KBM20BSS6CEN	Breather											
KBM20DSS6CEN	Drain											
KBQAAL0050*	Drain / Breather	Aluminum	1/2" NPT	CSAus		Type 3, 4 & 4X					IP66	
KBQAS60050*	Drain / Breather	316 SS										
KB1-4X	Drain / Breather	Aluminum	1/2" NPT	UL, CSAus								
KB1-4XS6	Drain / Breather	316 SS										

*The KBQA is for use in Class I Group B and Ex db IIB+H2 areas for enclosures with maximum volumes of 1709 in³ (28 liters). In larger enclosures the KBQA is suitable for Class I Group C and Ex db IIB areas.



ENCLOSURES

KB FLAME ARRESTORS/EXH BREAKER HANDLES

KB FLAME ARRESTORS

FEATURES-SPECIFICATIONS

Connects gas analysis equipment and electro pneumatic device pipe or tubing system through the wall of an explosion-proof enclosure.

BODY MATERIAL: 6061-T6 series aluminum provided as standard. Optional stainless steel.

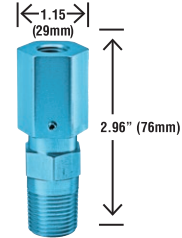
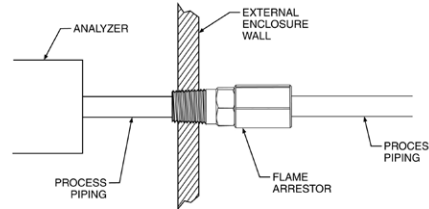


Specifications

Air flow = 83 + 15 / -25 SCFH at 5PSI
 Pressure drop = 1.3 PSI at 100 PSI
 Maximum flow pressure = 800 PSI
 Volume = For use in enclosures with a maximum internal volume of 9526 cubic inches or 160 liters.

CAT. NO.	EXTERNAL THREAD	INTERNAL THREAD	BODY MATERIAL	USA	USA SUITABILITY	ENVIRONMENTAL	CANADA	CANADA SUITABILITY	ENVIRONMENTAL	IEC Ex / ATEX	IEC Ex ATEX SUITABILITY	ENVIRONMENTAL
KB1FA25	1/2" NPT	1/4" NPT	Aluminum	CSAus	Class I Groups BCD Class I Zone 1 & 2 IIB+H2 Class II Groups EFG Class III Service Temperature -25°C to +40°C	Type 3,4,4X	CSA	Class I Groups CD Class I Zone 1 & 2 IIB Class II Groups EFG Class III Service Temperature -50°C to +40°C	Type 3,4,4X	CSA / SIRA	Ex db IIB+H2 Gb Ex tb IIIC Db Ambient Temperature -50°C to +60°C	IP66
KB1FAM16	1/2" NPT	M16				Type 3			Type 3			
KBM20FA25	M20	1/4" NPT				Type 3			Type 3			
KBM20FAM16	M20	M16	316 SS			Type 3,4,4X		Type 3,4,4X				
KB1FA25SS6	1/2" NPT	1/4" NPT				Type 3		Type 3				
KB1FAM16SS6	1/2" NPT	M16				Type 3		Type 3				
KBM20FA25SS6	M20	1/4" NPT				Type 3		Type 3				
KBM20FAM16SS6	M20	M16										

TYPICAL INSTALLATION



EXH SERIES CIRCUIT BREAKER HANDLES

FEATURES

EXH Series circuit breaker handles are for use with the following Series of Killark enclosures: EXB, B7E and EXBLT.

- Used to activate circuit breakers and motor circuit protectors from front cover
- Factory or field installed in a 3/4" NPSM opening for EXH1 and EXH2 and a 1-1/4" NPSM for EXH3
- Has provision for Lock-On and Lock-Off with up to three padlocks
- External handle mechanism with through-the-enclosure shaft and internal toggle mechanism and breaker pan

Materials

- Copper-free aluminum with 316 stainless steel shaft and screens
- O-ring: 70 durometer nitrile



EXH Handle

EXH

Handle Assemble

NEC / CEC Certifications

- Class I, Div. 1 & 2, Groups B, C, & D
- Class I Zone 1 IIB+H2 Gb
- Class II, Div. 1 & 2, Groups E, F, & G
- Class III
- Type 3, 4, 4X
- Ta = -25°C to +40°C (UL)
- Ta = -50°C to +40°C (CSA)
- File 150827
- Certificate LR11714



EXH CIRCUIT BREAKER HANDLE WITH SHAFT AND PAN						
CATALOG NUMBER			BREAKER MANUFACTURER	BREAKER FRAMES TO OPERATE	MAX. AMPS	
6" DEEP BOX	8" DEEP BOX	10" DEEP BOX				
EXH1A6	EXH1A8	EXH1A10	GE	TEB-TED-THED-TEL	150	
			ITE/Siemens	ED2-ED4-ED6-HED4-HED6	125	
			Square D	FAL-FHL-FCL	100	
N/A	EXH1B8	EXH1B10	Cutler Hammer	EHD-FDB-FD-HFD-FDC-HMCP	150	
			GE	TFJ-TFK-TFK-TFL	225	
			Square D	KAL-KHL-KCL	250	
N/A	EXH2C8	EXH2C10	Cutler Hammer	JDB-JD-HJD-JDC	250	
			Cutler Hammer	DK-KDB-KD-HKD-KDC	400	
			GE	TJJ-TJK4-TJK6-THJK4-THJK6	600	
N/A	EXH3D8	EXH3D10	ITE/Siemens	FXD6-FD6-HFD6-CFD6	250	
			ITE/Siemens	JXD2-JXD6-JD6-HJD6-HHJD6-CJD6	400	
			ITE/Siemens	LXD6-LD6-HKD6-HHLD6-CLD6	600	
N/A	N/A	EXH3E10	Square D	LAL-LHL	400	
			Cutler Hammer	LDB-LD-HLD-LDC	600	
			GE	TKM8-THKM8-TKM12-THKM12	1200	
N/A	N/A	EXH3E10	ITE/Siemens	MXD6-MD6-HMXD6-HMD6-CMD6	800	
			ITE/Siemens	NXD6-ND6-HNXD6-HND6-CND6	1200	
			Square D	LCL	600	
			Square D	MAL-MHL	1000	
			Cutler Hammer	ND-HND-NDC	1200	



FITTINGS TABLE OF CONTENTS

STANDARD LOCATIONS

	Duraloy® Process 2-3		MO/MOL/NECLB Series Aluminum or Iron Mogul Conduit Bodies 40-46
	O Series / Duraloy® 5 Series Aluminum or Malleable Iron Conduit Bodies6-11		E Series Aluminum Light Industrial/Commercial Conduit Bodies 47-55
	Duraloy® 7 Series Aluminum or Iron Conduit Bodies 12-19		AF/DF/TAF Series Expansion & Deflection Fittings and Accessories 56-65
	K-Pak® Shelf Cartons..... 20-21		SLB/SLBM/SOLB Series Service Entrance Fittings 66-67
	Duraloy® 8 Series Iron Conduit Bodies 22-27		CL/CLM/TWCL Series Pulling Elbow, Duct Seal 68
	CO & TW Series Aluminum Conduit Bodies for EMT 28-31		FB/STFB Series Service Entrance 69-70
	KD Ordinary Drain 32		F Series Cast Device Boxes..... 71-80 Covers, Accessories..... 83-85
	Stainless Steel Conduit Bodies 33-36		FSQ/FDQ Series Custom Drilled/Tapped Device Boxes.. 81-82 Covers, Accessories..... 83-85
	TET Series “Top Entry T” Conduit Body..... 37-39		VJ Series Outlet Boxes 86-87



FITTINGS
SECTION F

FITTINGS TABLE OF CONTENTS



Malleable Iron-Insulated Grounding Bushings..... 88-89



WH Series
Conduit Hubs..... 90-93



Spartan Pole Series
Lowering Light Pole..... 94-101



GEB/GE Series
Aluminum and Iron Outlet Bodies..... 117-129



GEC Series
Outlet Bodies with
Mounting Flange 127-128



GRUE Series
Aluminum and Iron Outlet Bodies..... 130-131



GR Series
Outlet Bodies..... 132-134



X/XALB Series
Conduit Bodies..... 135-136



JL/JAL Series
Outlet Bodies..... 137-138



UNF/UNY Series
Expansion Conduit Unions..... 139-141

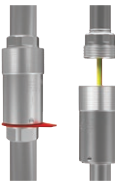


GU/UN Series
Unions 142



UNF/UNY Series
Expansion Conduit Unions..... 143-144

HAZARDOUS LOCATIONS



EZ Seal
Vertical Sealing Fittings..... 103-105



ENY/EY/EYS/EYD Series
Sealing Fittings 106-109
Sealing Materials..... 110-115



ENY40/EYD40 Series
40% Fill Sealing Fittings..... 109



CELOX® KQS Series
Sealing Compound..... 112-114



FITTINGS TABLE OF CONTENTS



PLUG/CUP/AN Series
Threaded Insert Plugs,
Rigid Conduit Nipples 145-150



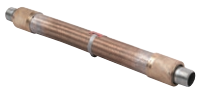
KDB/KB/KDE/KQBA Series
Drains and Breathers,
Flame Arrestors..... 151-155



R/RE/ADUP Series
Reducing Bushings and Adapters.... 156-157



ELBOWS 158-160



ECF/EKJ Series
Bronze Flexible Couplings..... 161-162



ECFUF/EKJUF Series
Bronze Flexible Couplings with
Female Steel Unions..... 163-164



EKJ Series
Stainless Steel Flexible Couplings ... 165-167

**CONNECTORS –
STANDARD / HAZARDOUS LOCATIONS**



K Series
Liquidtight Connectors 168-172



CG Series
Cord Grips 173-174



Z Series
Aluminum & Steel/Malleable Iron
Cord Connectors 175-182
Increased Safety Cord Connectors.. 185-194



Z Series
Nylon Cord Connectors..... 183-184
Increased Safety Cord Connectors.. 185-194



SWZ/LZN Series
Sealing Washers, Locknuts 195



ZHLN Series
Increased Safety Locknuts 195

CABLE GLANDS



GGB Series
Non-Armored Cable Gland 198-199



MC Series
Aluminum Cable Connectors 200-208



MC2X Series
Barrier Gland 202-204



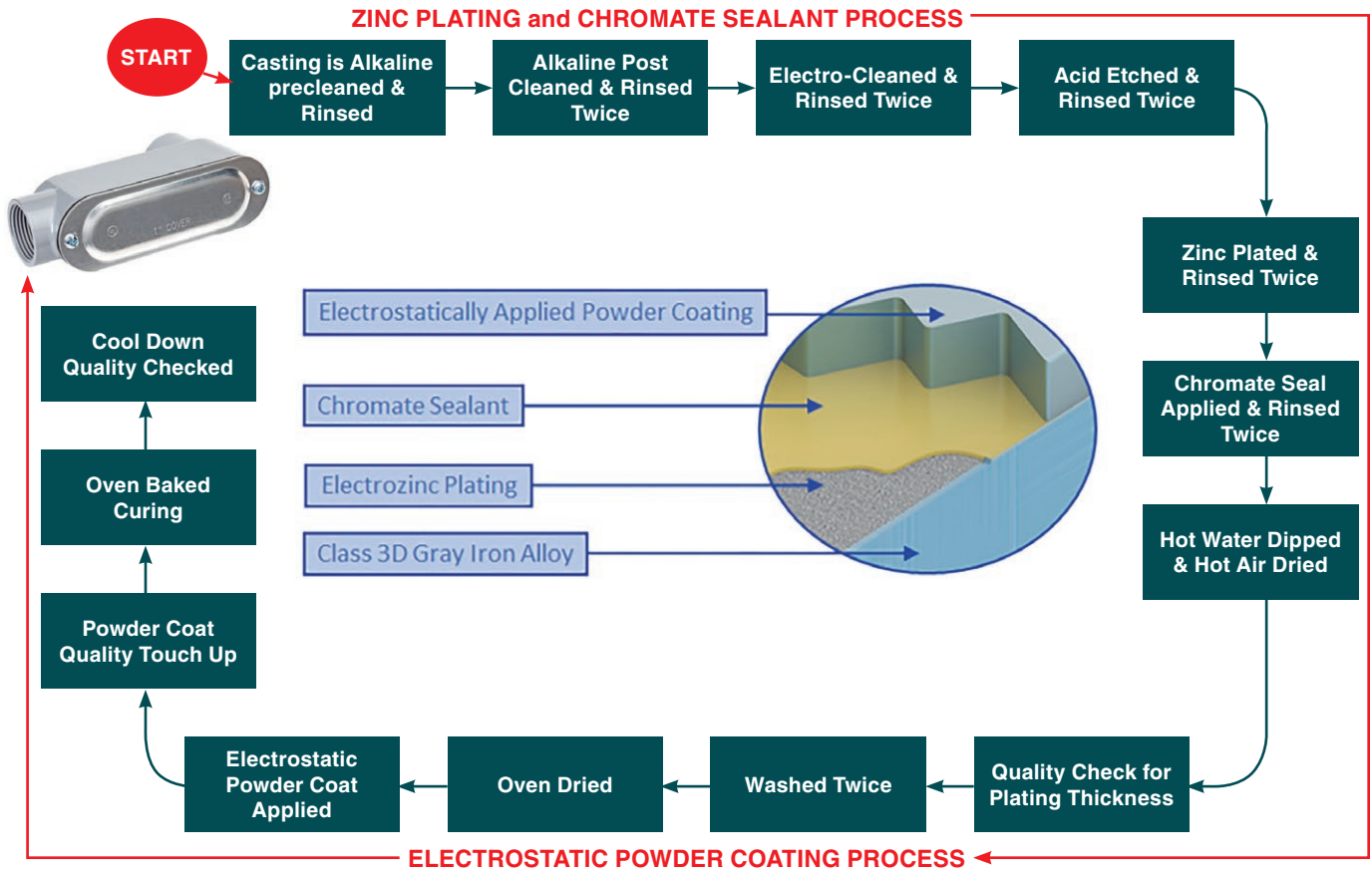
Hawke Cable Glands 209-222
NEC® Compliant Cable Glands 210-212
701 213-214
710 215-216
711 217-218
153 X 219-220
753 221-222



FITTINGS

DURALOY PROCESS

DURALOY® FINISHING PROCESS



A QUICK GUIDE TO OUR IRON FITTINGS

CHARACTERISTICS	DUCTILE IRON	GRAY IRON
	HAZARDOUS	STANDARD
Castability	None	
Ease of Machining	—	●
Vibration Damping	—	●
Surface Hardenability	None	
Modulus of Elasticity	●	—
Impact Resistance	●	—
Corrosion Resistance	None	
Strength/Weight	●	—
Wear Resistance	None	
Cost of Manufacturing	—	●



IMPROVED CORROSION RESISTANT PAINT ON FITTINGS

Duraloy⁺ PLUS

What is Duraloy Plus?

It's Killark's latest paint added to all standard and most hazardous rated fittings series. Its benefits include...

- Silver textured color for interchangeability with competitors
- An enhanced resistance to corrosion

See the results of 1000 hours ATSM 117 salt spray chamber results of old Duraloy[®] to the new Duraloy[®] Plus!



OLD PAINT



Representative samples of old Duraloy[®] paint after 1,000 hours of exposure

NEW PAINT



Representative samples of new Duraloy[®] Plus paint after 1,000 hours of exposure



FITTINGS

WIRE FILL CONDUIT

TRADE SIZE	CATALOG NUMBER	HUB TYPE	WIRE SIZE (AWG, MCM)														
			6	4	3	2	1	1/0	2/0	3/0	4/0	250	300	350	400	500	
4" (-0)	OLB-0M*, LB108, MOUB-0, MOT-0, MOLBD-0, MOC-0, MOLB-0	All	58	49	41	31	26	21	18	15	12	10	9	8	3		
	OLB-0	All	58	49	41	31	26	21	18	15	12	10	9	3			
	OC-0M*, OLR-0, OLL-0, OT-0M*	All	58	49	41	31	26	21	18	15	12	10	3				
	OC-0, LB107	All	58	49	41	31	26	21	18	15	12	3					
	OR-0, LL107, LR107	All	58	49	41	31	26	21	18	15	3						
	T107, C107	All	58	49	41	31	26	21	3								
3-1/2" (-9)	OLB-9M*, LB98, MOUB-9, MOT-9, MOLBD-9, MOC-9, MOLB-9	All	45	38	32	24	20	16	14	11	9	8	7	6	3		
	OLB-9	All	45	38	32	24	20	16	14	11	9	8	7	3			
	OC-9M*, OLR-9, OLL-9, OT-9M*	All	45	38	32	24	20	16	14	11	9	8	3				
	OC-9, LB97	All	45	38	32	24	20	16	14	11	9	3					
	OT-9, LL97, LR97	All	45	38	32	24	20	16	14	11	3						
	T97, C97	All	45	38	32	24	20	16	3								
3" (-8)	MOUB-8, MOT-8, MOLBD-8, MOC-8, MOLB-8	All	34	28	24	18	15	12	10	8	7	6	5	4	3		
	OLB-8, OLR-8, OLL-8, C88, LB888, LL888, LR88	All	34	28	24	18	15	12	10	8	7	6	3				
	OC-8, LL87, LR87, T88	All	34	28	24	18	15	12	10	8	3						
	OT-8M*	All	34	28	24	18	15	12	10	3							
	OT-8, LB87	All	34	28	24	18	15	12	3								
	C87, T87, L87	All	34	28	24	18	15	3									
2-1/2" (-7)	OLB-7	All	22	18	15	11	9	8	6	5	4	4	3				
	OLR-7, OLL-7, C78, LB78, LL78, LR78, MOUB-7, MOT-7, MOLBD-7, MOC-7, MOLB-7	All	22	18	15	11	9	8	6	5	4	3					
	OC-7, LL77, LR77, T78	All	22	18	15	11	9	8	6	5	3						
	OT-7M*	All	22	18	15	11	9	8	6	3							
	OT-7, LB77	All	22	18	15	11	9	8	3								
	C77, T77, L77	All	22	18	15	11	9	3									
2" (-6)	OLR-6, OLL-6	All	15	13	11	8	6	5	4	4	3						
	OLB-6M*, C68, LB68, LL68, LR68, MOUB-6, MOT-6, MOLBD-6, MOC-6	All	15	13	11	8	6	5	4	3							
	T68, TB68, X68	THRU	15	13	11	8	6	5	4	3							
	OC-6M*, OLB-6	All	15	13	11	8	6	5	3								
	T68, TB68, X68	SIDE	15	13	11	8	6	5	3								
	OC-6, OX-6	All	15	13	11	8	6	3									
	OT-6M*, OTB-6M*, C67, LB67, LL67, LR67, T67, TA67, TB67, X67	All	15	13	11	8	3										
	OT-6	All	15	13	11	3											
OTB-6	All	15	3														
1-1/2" (-5)	OC-5, OLB-5, OLR-5, OLL-5, C58, LB58, LL58, LR58, MOUB-5, MOT-5, MOLBD-5, MOC-5	All	9	8	6	5	3										
	T58, TB58, X58	THRU	9	8	6	5	3										
	C57, LB57, LR57, T57, TA57, TB57, X57	All	9	8	6	3											
	T58, TB58, X58	SIDE	9	8	6	3											
	OT-5, OX-5	All	9	8	3												
	OTB-5	All	3														
1-1/4" (-4)	OC-4, OLB-4, OLR-4, OLL-4, OT-4 OX-4, C47, LB47, LL47, T47, TA47, TB47, X47, C448, LB448, LL448, LR448, T448, TB448, X448, MOUB-4, MOT-4, MOLBD-4, MOC-4	All	6	5	3												
	OTB-4	All	3														
1" (-3)	OC-3, OLB-3, OLR-3, OLL-3, OT-3, OTB-3, OX-3, OE-3, C37, E37, LB37, LL37, LR37, LR37, T37, TA37, TB37, X37, C38, LB38, LL38, LR38, T38, TB38, X38, MOUB-3, MOT-3, MOLBD-3, MOC-3	All	3														
	OTA-3	All	3														
3/4" (-2)	OC-2, OLB-2, OLR-2, OLL-2, OT-2, OTA-2, OTB-2, OX-2, OE-2, C27, E27, LB27, LL27, LR27, T27, TA27, TB27, X27, C28, LB28, LL28, LR28, T28, TB28, X28, MOLBD-2	All	3														

CONDUIT BODY DIFFERENCES



A QUICK GLANCE AT THE DIFFERENCE BETWEEN CONDUIT BODIES



FORM 5 (O- SERIES)

- Die cast copper-free aluminum and Iron
- Compact in size with screw covers
- Interchangeable with competitors' Form 5
- Ideal for commercial and heavy industrial locations



DURALOY 7

- Die cast copper-free aluminum and Iron
- Compact in size with Spring Clip Cover with integral gasket
- Interchangeable with competitors' Form 7
- Ideal for Industrial locations



DURALOY 8

- Ductile Iron only
- Screw in cover
- Larger volume for extra wiring capacity
- Thick walls ideal for heavy industrial applications



FITTINGS

O SERIES / DURALOY®5 SERIES

DURALOY®5 CONDUIT BODIES, COVERS, AND GASKETS

DURALOY®5



Type 4 when cover gasketed
Federal Specification W-C 586/A-A 50563
Suitable for use in Class 1 Div. 2
applications when installed in
accordance to NEC Article 501.10

 LISTED E3397

 Certified LR11852

FEATURES-SPECIFICATIONS

Features

- 419 and tapered hubs specifications
- Type 4 when used with neoprene gasket and cover
- Malleable iron suitable for use in concrete
- Interchangeable with competitive cover/gasket
- Staked stainless steel screws on stamped covers
- 1-1/4" – 4" LB and C hub configurations now available with rollers for relief of pulling conductors
- Killark K-Pak available which neatly packs cover and gasket together with displayed part number and UPC bar code store front displaying
- For conduit body packaged with cover and gasket, add **CG** to the catalog number

Materials

- **BODIES** – Copper-free aluminum or malleable iron
- **GASKETS** – Neoprene standard (fiber and silicone available)
- **COVERS** – Stamped (aluminum or steel) or Cast (iron)
- **COVER SCREWS** – Stainless steel
- **ROLLERS** – Steel

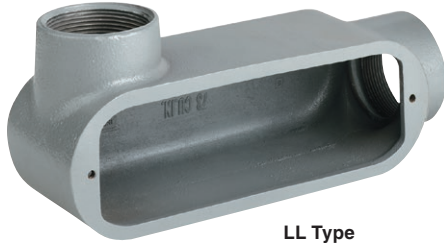
Material Finishes:

- Copper-free aluminum (less than 1/10 of 1%)
 - » Electrostatically applied powder coat paint
- Duraloy malleable gray iron
 - » Tri-coat finish of electro-zinc and chromate sealant with electrostatically applied Duraloy Plus powder coat paint

O SERIES / DURALOY® 5 SERIES



ALUMINUM OR MALLEABLE IRON CONDUIT BODIES



LL Type



E Type

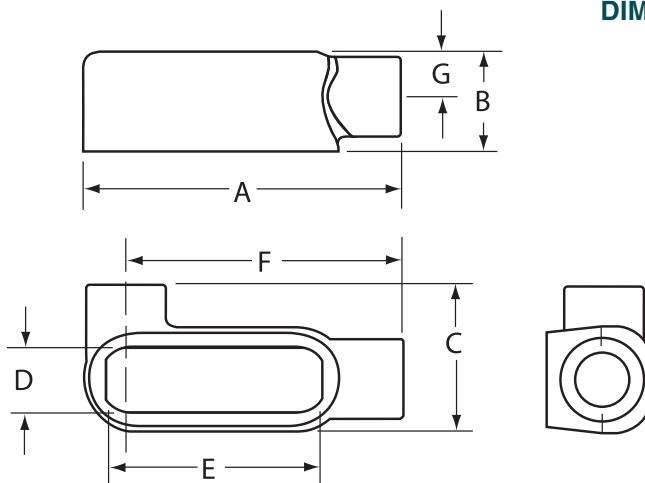
LL TYPE CONDUIT BODY*

CATALOG NUMBER		HUB SIZE	DIMENSIONS							VOLUME CU. IN.
KILLARK ALUM.	DURALOY IRON		A	B	C	D	E	F	G	
OLL-1	OLL-1M	1/2"	4-5/8" (117)	1-3/8" (35)	2" (51)	1" (25)	3-5/32" (80)	—	5/8" (16)	4.0
OLL-2	OLL-2M	3/4"	5-3/8" (137)	1-5/8" (41)	2-3/16" (56)	1-7/32" (31)	3-25/32" (96)	—	3/4" (19)	7.0
OLL-3	OLL-3M	1"	6-1/4" (159)	2" (51)	2-9/16" (65)	1-15/32" (37)	4-17/32" (115)	—	15/16" (24)	12.0
OLL-4	OLL-4M	1-1/4"	8-1/8" (206)	2-5/8" (67)	3-1/2" (89)	2" (51)	6" (152)	—	1-3/16" (30)	32.0
OLL-5	OLL-5M	1-1/2"	8-1/8" (206)	2-3/4" (70)	3-1/2" (89)	2" (51)	6" (152)	—	1-3/8" (32)	36.0
OLL-6	OLL-6M	2"	10-9/16" (268)	3-1/2" (89)	4-3/16" (106)	2-9/16" (65)	8-1/16" (205)	—	1-5/8" (38)	70.0
OLL-7	OLL-7M	2-1/2"	13-11/16" (348)	4" (102)	5-3/4" (146)	3-11/16" (94)	10-5/8" (270)	—	1-13/16" (46)	142.0
OLL-8	OLL-8M	3"	13-11/16" (348)	4-3/4" (121)	5-3/4" (146)	3-11/16" (94)	10-5/8" (270)	—	2-3/16" (54)	173.0
OLL-9	OLL-9M	3-1/2"	16-1/2" (419)	5-1/2" (140)	7-1/8" (181)	4-7/8" (124)	13-1/8" (333)	—	2-1/2" (67)	292.0
OLL-0	OLL-0M	4"	16-1/2" (419)	5-5/8" (143)	7-1/8" (181)	4-7/8" (124)	13-1/8" (333)	—	2-3/4" (70)	324.0

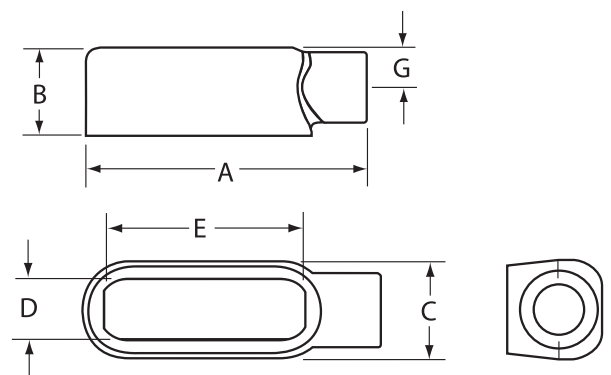
E TYPE CONDUIT BODY*

CATALOG NUMBER		HUB SIZE	DIMENSIONS							VOLUME CU. IN.
KILLARK ALUM.	DURALOY IRON		A	B	C	D	E	F	G	
OE-1	OE-1M	1/2"	4-5/8" (117)	1-3/8" (35)	1-3/8" (35)	1" (25)	3-9/32" (83)	—	5/8" (16)	4.0
OE-2	OE-2M	3/4"	5-3/8" (41)	1-5/8" (137)	1-5/8" (41)	1-7/32" (29)	3-15/16" (100)	—	3/4" (19)	7.0
OE-3	OE-3M	1"	6-1/4" (159)	2" (51)	1-7/8" (48)	1-15/32" (35)	4-17/32" (115)	—	7/8" (22)	12.0

DIMENSIONS



LL Type



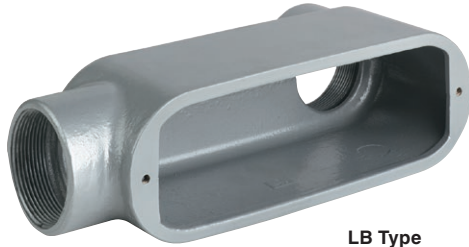
E Type



FITTINGS

O SERIES / DURALOY® 5 SERIES

ALUMINUM OR MALLEABLE IRON CONDUIT BODIES



LB Type



C Type

LB TYPE CONDUIT BODY*

CATALOG NUMBER		HUB SIZE	DIMENSIONS							VOLUME CU. IN.
KILLARK ALUM.	DURALOY IRON		A	B	C	D	E	F	G	
OLB-1	OLB-1M	1/2"	4-17/32" (115)	2-9/32" (83)	1-3/8" (35)	1" (25)	3-5/32" (80)	4-3/8" (111)	5/8" (16)	4.0
OLB-2	OLB-2M	3/4"	5-3/4" (146)	2-1/2" (64)	1-5/8" (41)	1-7/32" (31)	3-25/32" (96)	4-29/32" (125)	3/4" (19)	7.0
OLB-3	OLB-3M	1"	6-5/8" (168)	2-29/32" (74)	1-7/8" (48)	1-15/32" (37)	4-17/32" (115)	5-23/32" (145)	15/16" (24)	12.0
OLB-4	OLB-4M	1-1/4"	7-1/2" (191)	3-3/16" (81)	2-5/8" (67)	2" (51)	6" (152)	6-13/32" (162)	1-3/16" (30)	28.8
OLB-5	OLB-5M	1-1/2"	9-1/8" (232)	4" (102)	2-5/8" (67)	2" (51)	6" (152)	17-3/4" (451)	1-3/8" (32)	36.0
OLB-6	OLB-6M	2"	10" (254)	4-13/16" (122)	3-1/8" (79)	2-9/16" (65)	8-1/16" (205)	8-5/32" (207)	1-5/8" (38)	70.0
OLB-7	OLB-7M	2-1/2"	13-15/16" (354)	6-1/8" (156)	4-3/8" (111)	3-11/16" (94)	10-5/8" (270)	11-7/16" (291)	2-1/2" (64)	142.0
OLB-8	OLB-8M	3"	13-15/16" (354)	6-1/2" (165)	4-3/8" (111)	3-11/16" (94)	10-5/8" (270)	11-7/16" (291)	2-3/16" (54)	173.0
OLB-9	OLB-9M	3-1/2"	16-7/8" (429)	7-9/16" (192)	5-1/2" (140)	4-7/8" (124)	13-1/8" (333)	13-3/4" (349)	2-1/2" (67)	292.0
OLB-0	OLB-0M	4"	16-7/8" (429)	7-13/16" (198)	5-1/2" (140)	4-7/8" (124)	13-1/8" (333)	13-3/4" (349)	2-3/4" (70)	324.0

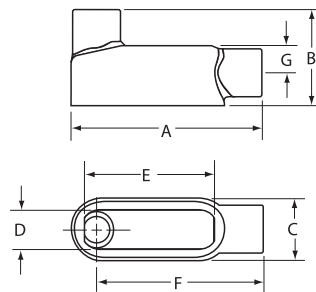
C TYPE CONDUIT BODY*

CATALOG NUMBER		HUB SIZE	DIMENSIONS							VOLUME CU. IN.
KILLARK ALUM.	DURALOY IRON		A	B	C	D	E	F	G	
OC-1	OC-1M	1/2"	5-3/16" (132)	1-3/8" (35)	1-3/8" (35)	1" (25)	3-5/32" (80)	—	5/8" (16)	4.0
OC-2	OC-2M	3/4"	6-1/8" (156)	1-5/8" (41)	1-5/8" (41)	1-7/32" (31)	3-25/32" (96)	—	3/4" (19)	7.0
OC-3	OC-3M	1"	7-1/8" (181)	2" (51)	1-7/8" (48)	1-15/32" (37)	4-17/32" (115)	—	15/16" (24)	12.0
OC-4	OC-4M	1-1/4"	9-1/8" (232)	2-5/8" (67)	2-5/8" (67)	2" (51)	6" (152)	—	1-3/16" (30)	32.0
OC-5	OC-5M	1-1/2"	9-1/4" (235)	2-3/4" (70)	2-5/8" (67)	2" (51)	6" (152)	—	1-3/8" (32)	36.0
OC-6	OC-6M	2"	11-7/8" (302)	3-1/2" (89)	3-1/8" (79)	2-9/16" (65)	8-1/16" (205)	—	1-5/8" (38)	70.0
OC-7	OC-7M	2-1/2"	15-1/8" (384)	4" (102)	4-3/8" (111)	3-11/16" (94)	10-5/8" (270)	—	1-13/16" (54)	153.0
OC-8	OC-8M	3"	15-1/8" (384)	4-3/4" (121)	4-3/8" (111)	3-11/16" (94)	10-5/8" (270)	—	2-3/16" (54)	181.0
OC-9	OC-9M	3-1/2"	18-3/8" (467)	5-1/2" (140)	5-1/2" (140)	4-7/8" (124)	13-1/8" (333)	—	2-1/2" (67)	290.0
OC-0	OC-0M	4"	18-3/8" (467)	5-5/8" (143)	5-1/2" (140)	4-7/8" (124)	13-1/8" (333)	—	2-3/4" (67)	320.0

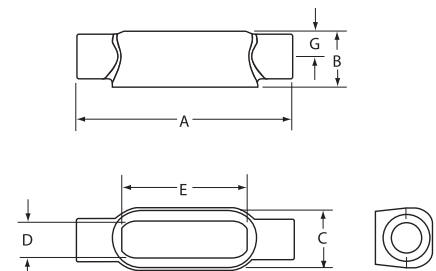
DIMENSIONS



Roller option available on 1-1/4" - 4" C & LB IRON configurations, add -WR to catalog number



LB Type



C Type

O SERIES / DURALOY® 5 SERIES



ALUMINUM OR MALLEABLE IRON CONDUIT BODIES



LR Type



T Type

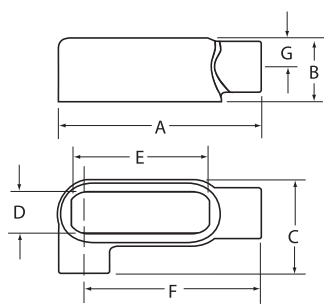
LR TYPE CONDUIT BODY*

CATALOG NUMBER		HUB SIZE	DIMENSIONS							VOLUME CU. IN.
KILLARK ALUM.	DURALOY IRON		A	B	C	D	E	F	G	
OLR-1	OLR-1M	1/2"	4-5/8" (117)	1-3/8" (35)	2" (35)	1" (25)	3-5/32" (80)	4-3/8" (111)	5/8" (16)	4.0
OLR-2	OLR-2M	3/4"	5-3/8" (137)	1-5/8" (41)	2-3/16" (67)	1-7/32" (31)	3-25/32" (96)	4-29/32" (125)	3/4" (19)	7.0
OLR-3	OLR-3M	1"	6-1/4" (159)	2" (51)	2-9/16" (65)	1-15/32" (37)	4-17/32" (115)	5-23/32" (145)	15/16" (24)	12.0
OLR-4	OLR-4M	1-1/4"	8-1/8" (206)	2-5/8" (67)	3-1/2" (89)	2" (51)	6" (152)	6-13/32" (162)	1-3/16" (30)	32.0
OLR-5	OLR-5M	1-1/2"	8-1/8" (206)	2-3/4" (70)	3-1/2" (89)	2" (51)	6" (152)	17-3/4" (451)	1-3/8" (32)	31.0
OLR-6	OLR-6M	2"	10-9/16" (268)	3-1/2" (89)	4-3/16" (106)	2-9/16" (65)	8-1/16" (205)	9-5/32" (233)	1-5/8" (38)	70.0
OLR-7	OLR-7M	2-1/2"	13-11/16" (348)	4" (102)	5-3/4" (146)	3-11/16" (93)	10-5/8" (270)	11-7/16" (291)	1-13/16" (54)	142.0
OLR-8	OLR-8M	3"	13-11/16" (348)	4-3/4" (121)	5-3/4" (146)	3-11/16" (93)	10-5/8" (270)	11-7/16" (291)	2-3/16" (54)	173.0
OLR-9	OLR-9M	3-1/2"	16-1/2" (419)	5-1/2" (140)	7-1/8" (181)	4-7/8" (124)	13-1/8" (333)	13-3/4" (349)	2-1/2" (67)	292.0
OLR-0	OLR-0M	4"	16-1/2" (419)	5-5/8" (143)	7-1/8" (181)	4-7/8" (124)	13-1/8" (333)	13-3/4" (349)	2-3/4" (67)	324.0

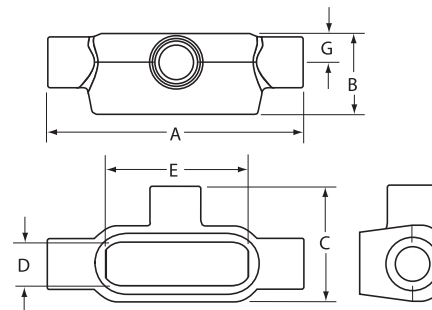
T TYPE CONDUIT BODY*

CATALOG NUMBER		HUB SIZE	DIMENSIONS							VOLUME CU. IN.
KILLARK ALUM.	DURALOY IRON		A	B	C	D	E	F	G	
OT-1	OT-1M	1/2"	5-3/8" (137)	1-3/8" (35)	2" (35)	1" (25)	3-5/32" (80)	—	5/8" (16)	4.0
OT-2	OT-2M	3/4"	6-1/16" (154)	1-5/8" (41)	2-3/16" (67)	1-7/32" (31)	3-25/32" (96)	—	3/4" (19)	7.0
OT-3	OT-3M	1"	7-1/8" (181)	2" (51)	2-9/16" (65)	1-15/32" (37)	4-17/32" (115)	—	15/16" (24)	12.0
OT-4	OT-4M	1-1/4"	9-3/16" (233)	2-5/8" (67)	3-1/2" (89)	2" (51)	6" (152)	—	1-3/16" (30)	32.0
OT-5	OT-5M	1-1/2"	9-3/16" (233)	2-3/4" (70)	3-1/2" (89)	2" (51)	6" (152)	—	1-3/8" (32)	33.0
OT-6	OT-6M	2"	11-5/8" (295)	3-1/2" (89)	4-3/16" (106)	2-9/16" (65)	8-1/16" (205)	—	1-5/8" (38)	70.0
OT-7	OT-7M	2-1/2"	15-1/8" (384)	4" (102)	5-3/4" (146)	3-11/16" (94)	10-5/8" (270)	—	1-13/16" (54)	142.0
OT-8	OT-8M	3"	15-1/8" (384)	4-3/4" (121)	5-3/4" (146)	3-11/16" (94)	10-5/8" (270)	—	2-3/16" (54)	173.0
OT-9	OT-9M	3-1/2"	18-1/8" (460)	5-1/2" (140)	7-1/8" (181)	4-7/8" (124)	13-1/8" (333)	—	2-1/2" (67)	292.0
OT-0	OT-0M	4"	18-1/8" (460)	5-5/8" (143)	7-1/8" (181)	4-7/8" (124)	13-1/8" (333)	—	2-3/4" (67)	324.0

DIMENSIONS



LR Type



T Type



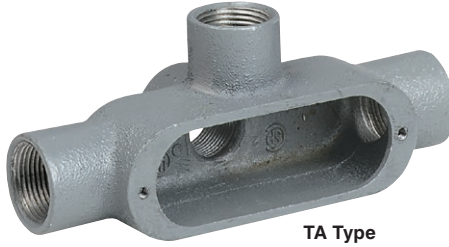
FITTINGS

O SERIES / DURALOY® 5 SERIES

ALUMINUM OR MALLEABLE IRON CONDUIT BODIES



TB Type



TA Type



X Type

TA TYPE CONDUIT BODY*

CATALOG NUMBER		HUB SIZE	DIMENSIONS							VOLUME CU. IN.
KILLARK ALUM.	DURALOY IRON		A	B	C	D	E	F	G	
OTA-1	OTA-1M	1/2"	5-3/8" (137)	2-1/8" (54)	2" (51)	1" (25)	3-5/32" (80)	—	5/8" (16)	4.0
OTA-2	OTA-2M	3/4"	6-1/16" (154)	2-15/16" (75)	2-3/16" (56)	1-7/32" (29)	3-25/32" (96)	—	3/4" (19)	7.0
—	OTA-3M	1"	7-1/8" (181)	2-11/16" (68)	2-9/16" (65)	1-15/32" (35)	4-17/32" (115)	—	15/16" (24)	12.0

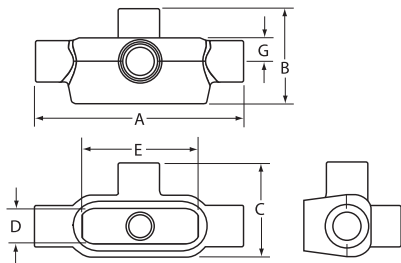
TB TYPE CONDUIT BODY*

CATALOG NUMBER		HUB SIZE	DIMENSIONS							VOLUME CU. IN.
KILLARK ALUM.	DURALOY IRON		A	B	C	D	E	F	G	
OTB-1	OTB-1M	1/2"	5-3/8" (137)	2-1/8" (54)	1-5/16" (33)	1" (25)	3-5/32" (80)	—	5/8" (16)	4.0
OTB-2	OTB-2M	3/4"	6-1/16" (160)	2-5/16" (59)	1-9/16" (40)	1-7/32" (31)	3-25/32" (96)	—	3/4" (19)	7.0
OTB-3	OTB-3M	1"	7-1/8" (181)	2-11/16" (68)	1-13/16" (46)	1-15/32" (37)	4-17/32" (115)	—	15/16" (24)	12.0
OTB-4	OTB-4M	1-1/4"	9-3/16" (233)	3-9/16" (90)	2-1/2" (64)	2" (51)	6" (152)	—	1-3/16" (30)	32.0
OTB-5	OTB-5M	1-1/2"	9-3/16" (233)	3-3/4" (92)	2-1/2" (64)	2" (51)	6" (152)	—	1-3/8" (35)	36.0
OTB-6	OTB-6M	2"	11-5/8" (295)	4-5/8" (117)	3-1/8" (79)	2-9/16" (65)	8-1/16" (205)	—	1-5/8" (41)	70.0

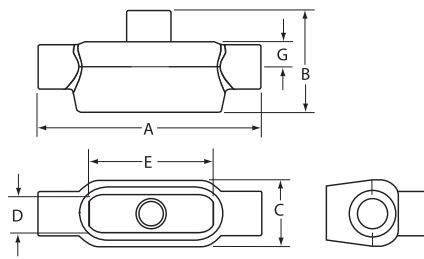
X TYPE CONDUIT BODY*

CATALOG NUMBER		HUB SIZE	DIMENSIONS							VOLUME CU. IN.
KILLARK ALUM.	DURALOY IRON		A	B	C	D	E	F	G	
OX-1	OX-1M	1/2"	5-3/8" (137)	1-3/4" (44)	1-11/16" (43)	1" (25)	3-5/32" (80)	—	5/8" (16)	4.0
OX-2	OX-2M	3/4"	6-1/16" (160)	2" (51)	2-7/8" (73)	1-7/32" (31)	3-25/32" (96)	—	3/4" (19)	7.0
OX-3	OX-3M	1"	7-1/8" (181)	2-1/4" (57)	3-3/8" (86)	1-15/32" (37)	4-17/32" (115)	—	15/16" (24)	12.0
OX-4	OX-4M	1-1/4"	9-3/16" (233)	2-9/16" (65)	4-1/2" (114)	2" (51)	6" (152)	—	1-3/16" (30)	32.0
OX-5	OX-5M	1-1/2"	9-3/16" (233)	2-3/4" (70)	4-1/2" (114)	2" (51)	6" (152)	—	1-3/8" (35)	36.0
OX-6	OX-6M	2"	11-5/8" (295)	3-3/8" (85)	5-1/4" (133)	2-9/16" (65)	8-1/16" (205)	—	1-5/8" (41)	70.0

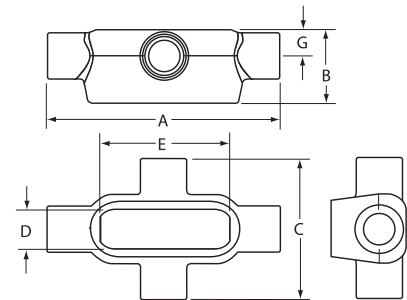
DIMENSIONS



TA Type



TB Type



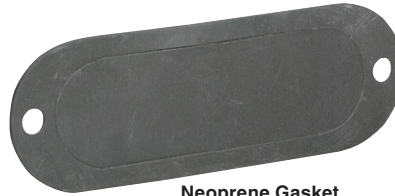
X Type



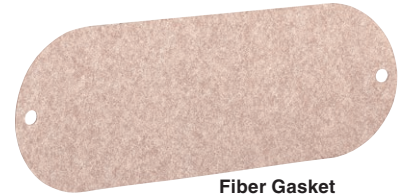
COVERS AND GASKETS



Aluminum and Steel Stamped Covers



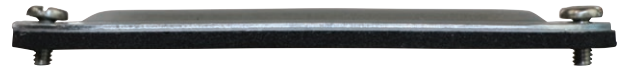
Neoprene Gasket



Fiber Gasket



Cast Iron Covers



Adhered Integral gasket to cover

COVER

Stamped Material/Finish

Copper-free Aluminum (less than 1/10 of 1%)

- Natural finish
- 300 Series stainless steel screws

Galvanized Steel

- Natural finish
- 300 Series stainless steel screws
- Stamped Aluminum & Steel covers now available with integral adhesive gasketing

Cast Material/Finish

Duraloy Malleable Iron

- Tri-coat finish of electrozinc, chromate sealant, and electrostatically applied powder coating
- 300 Series stainless steel screws

ALUMINUM AND STEEL STAMPED COVERS							
CATALOG NUMBER				HUB SIZE	DIMENSIONS		
KILLARK ALUMINUM		STEEL			LENGTH	WIDTH	HEIGHT
	WITH INT. GASKET		WITH INT. GASKET				
OL-10	OL-10G	OL-10M	OL-10MG	1/2"	3-15/16"(100)	1-3/8"(35)	3/8"(10)
OL-20	OL-20G	OL-20M	OL-20MG	3/4"	4-5/8"(117)	1-5/8"(41)	3/8"(10)
OL-30	OL-30G	OL-30M	OL-30MG	1"	5-3/8"(137)	1-7/8"(48)	5/8"(16)
OL-450	OL-450G	OL-45M	OL-45MG	1-1/4"	7-3/16"(183)	2-5/8"(67)	5/8"(16)
OL-450	OL-450G	OL-45M	OL-45MG	1-1/2"	7-3/16"(183)	2-5/8"(67)	5/8"(16)
OL-60	OL-60G	OL-60M	OL-60MG	2"	9-1/2"(241)	3-1/8"(79)	5/8"(16)
OL-780	OL-780G	OL-78M	OL-78MG	2-1/2"	12-1/4"(311)	4-3/8"(111)	5/8"(16)
OL-780	OL-780G	OL-78M	OL-78MG	3"	12-1/4"(311)	4-3/8"(111)	5/8"(16)
OL-900	OL-900G	OL-90M	OL-90MG	3-1/2"	14-7/8"(378)	5-1/2"(140)	5/8"(16)
OL-900	OL-900G	OL-90M	OL-90MG	4"	14-7/8"(378)	5-1/2"(140)	5/8"(16)

CAST IRON COVERS				
CATALOG NUMBER	HUB SIZE	DIMENSIONS		
		LENGTH	WIDTH	HEIGHT
OL-10CM	1/2"	3-15/16"(100)	1-3/8"(35)	3/8"(10)
OL-20CM	3/4"	4-5/8"(117)	1-5/8"(41)	3/8"(10)
OL-30CM	1"	5-3/8"(137)	1-7/8"(48)	5/8"(16)
OL-45CM	1-1/4"	7-3/16"(183)	2-5/8"(67)	5/8"(16)
OL-45CM	1-1/2"	7-3/16"(183)	2-5/8"(67)	5/8"(16)
OL-60CM	2"	9-1/2"(241)	3-1/8"(79)	5/8"(16)
OL-78CM	2-1/2"	12-1/4"(311)	4-3/8"(111)	5/8"(16)
OL-78CM	3"	12-1/4"(311)	4-3/8"(111)	5/8"(16)
OL-90CM	3-1/2"	14-7/8"(378)	5-1/2"(140)	5/8"(16)
OL-90CM	4"	14-7/8"(378)	5-1/2"(140)	5/8"(16)

GASKET

Material/Finish

- Neoprene, fiber, or silicone

GASKETS			
HUB SIZE	CATALOG NUMBER		
	NEOPRENE	FIBER	SILICONE
1/2"	OLK-1RG	OLK-1VG	OLK-1-SG
3/4"	OLK-2RG	OLK-2VG	OLK-2-SG
1"	OLK-3RG	OLK-3VG	OLK-3-SG
1-1/4"	OL-45-RG	OL-45-VG	OL-45-SG
1-1/2"	OL-45-RG	OL-45-VG	OL-45-SG
2"	OL-6-RG	OL-6-VG	OL-6-SG
2-1/2"	OL-78-RG	OL-78-VG	OL-78-SG
3"	OL-78-RG	OL-78-VG	OL-78-SG
3-1/2"	OL-90-RG	OL-90-VG	—
4"	OL-90-RG	OL-90-VG	—



FITTINGS

DURALOY® 7 SERIES

ALUMINUM OR IRON CONDUIT BODIES

DURALOY® 7



Suitable for wet locations when used with gasketed covers.

Federal Specification
W-C-586D/A-A 50563.

Suitable for use in hazardous location applications when installed according to NEC Articles 501.10(b), Class I, Div. 2, (Suitable for use in Class I Zone 2 applications) 502.10 and 503.10.

 LISTED E3397

 Certified LR11852

FEATURES-SPECIFICATIONS

Features

- Intermateability UL Listed and CSA Certified interchangeability with competitive products
- Enhanced sealing capabilities with neoprene sealing gaskets provide a Type 4 Seal
- High-quality sealing hardware 316 stainless steel cover screws and washers with neoprene gaskets
- Suitable for wet locations when used with gaskets
- Innovative spring clip design for installation ease and repeat usage
- Smooth integral wire bushings protect cable from damage when wires are pulled through opening
- For use with threaded rigid conduit steel or aluminum
- Flat-back design for greater wiring capacity and mounting stability

Materials

Aluminum

- Copper-free aluminum (less than 1/10 of 1%)
 - » Electrostatically applied powder coat paint

Duraloy Iron

- Duraloy malleable gray iron
 - » Tri-coat finish of electro-zinc and chromate sealant with electrostatically applied Duraloy Plus powder coat paint



ALUMINUM OR IRON CONDUIT BODIES



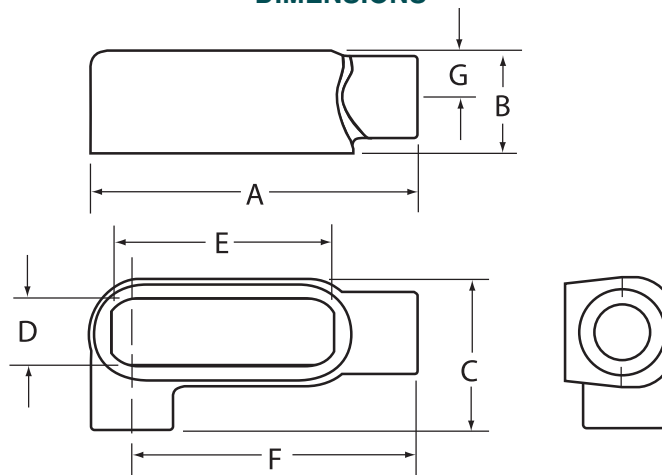
LR Type

LR TYPE CONDUIT BODY*

CATALOG NUMBER		HUB SIZE	DIMENSIONS							VOLUME CU. IN.
KILLARK ALUM.	DURALOY IRON		A	B	C	D	E	F	G	
LR17SA	LR17	1/2"	4-11/16" (119)	1-7/16" (37)	2-5/16" (59)	1" (25)	3-3/16" (81)	4-1/16" (103)	5/8" (16)	4.0
LR27SA	LR27	3/4"	5-3/8" (137)	1-11/16" (43)	2-5/8" (67)	1-1/8" (29)	3-13/16" (97)	4-5/8" (117)	3/4" (19)	7.0
LR37SA	LR37	1"	6-5/16" (160)	1-7/8" (48)	3-1/16" (78)	1-3/8" (35)	4-1/2" (114)	5-3/8" (137)	7/8" (22)	11.0
LR47SA	LR47	1-1/4"	6-13/16" (173)	2-5/16" (59)	3-1/2" (89)	1-13/16" (46)	5" (127)	5-3/4" (146)	1-1/8" (29)	19.5
LR57SA	LR57	1-1/2"	7-1/4" (184)	2-9/16" (65)	3-11/16" (94)	2-1/16" (52)	5-7/16" (138)	6-1/16" (154)	1-1/4" (32)	26.0
LR67SA	LR67	2"	8-1/4" (210)	3-1/8" (79)	4-1/4" (108)	2-5/8" (67)	6-3/8" (162)	6-3/4" (171)	1-1/2" (38)	48.0
LR77SA	LR77	2-1/2"	10-15/16" (278)	4-3/8" (111)	6-3/16" (157)	3-7/8" (98)	8-3/8" (213)	8-3/4" (222)	2-1/8" (54)	131.5
LR87SA	LR87	3"	10-15/16" (278)	4-3/8" (111)	6-3/16" (157)	3-7/8" (98)	8-3/8" (213)	8-3/4" (222)	2-1/8" (54)	131.5
LR97SA	LR97	3-1/2"	13" (330)	5-3/8" (137)	7-1/4" (184)	4-3/4" (121)	10-1/4" (260)	10-5/16" (262)	2-5/8" (67)	238.0
LR107SA	LR107	4"	13" (330)	5-3/8" (137)	7-1/4" (184)	4-3/4" (121)	10-1/4" (260)	10-5/16" (262)	2-5/8" (67)	238.0

* For conduit body packaged with cover and gasket, add **CG** to the catalog number.

DIMENSIONS



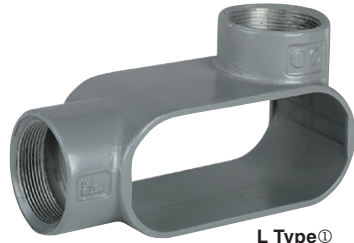
LR Type



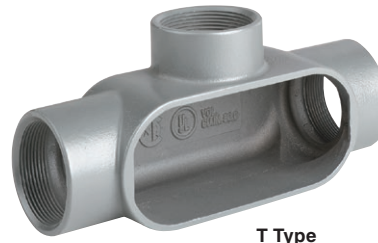
FITTINGS

DURALOY® 7 SERIES

ALUMINUM OR IRON CONDUIT BODIES



L Type^①



T Type

L TYPE^① CONDUIT BODY*

CATALOG NUMBER		HUB SIZE	DIMENSIONS							VOLUME CU. IN.
KILLARK ALUM.	DURALOY IRON		A	B	C	D	E	F	G	
L17SA	L17	1/2"	4-11/16" (119)	1-7/16" (37)	2-5/16" (59)	1" (25)	3-3/16" (81)	4-1/16" (103)	5/8" (16)	4.0
L27SA	L27	3/4"	5-3/8" (137)	1-11/16" (43)	2-5/8" (67)	1-1/8" (29)	3-13/16" (97)	4-5/8" (117)	3/4" (19)	7.0
L37SA	L37	1"	6-5/16" (160)	1-7/8" (48)	3-1/16" (78)	1-3/8" (35)	4-1/2" (114)	5-3/8" (137)	7/8" (22)	11.0
L47SA	L47	1-1/4"	6-13/16" (173)	2-5/16" (59)	3-1/2" (89)	1-13/16" (46)	5" (127)	5-3/4" (146)	1-1/8" (29)	19.5
L57SA	L57	1-1/2"	7-1/4" (184)	2-9/16" (65)	3-11/16" (94)	2-1/16" (52)	5-7/16" (138)	6-1/16" (154)	1-1/4" (32)	26.0
L67SA	L67	2"	8-1/4" (210)	3-1/8" (79)	4-1/4" (108)	2-5/8" (67)	6-3/8" (162)	6-3/4" (171)	1-1/2" (38)	48.0
L77SA	L77	2-1/2"	10-15/16" (278)	4-3/8" (111)	6-3/16" (157)	3-7/8" (98)	8-3/8" (213)	8-3/4" (222)	2-1/8" (54)	131.5
L87SA	L87	3"	10-15/16" (278)	4-3/8" (111)	6-3/16" (157)	3-7/8" (98)	8-3/8" (213)	8-3/4" (222)	2-1/8" (54)	131.5

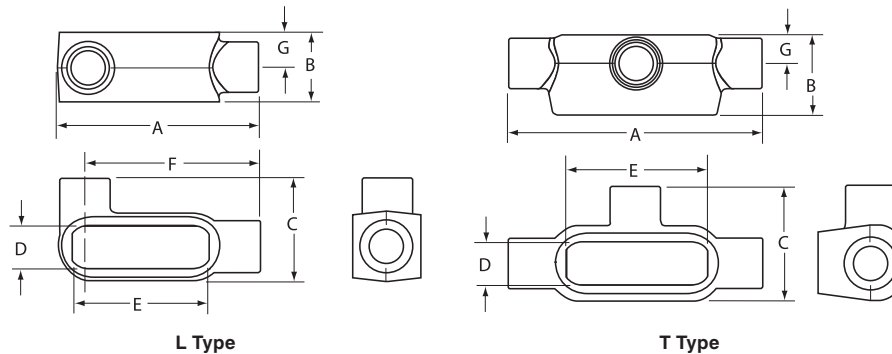
^① L type is double faced and may be used as LL or LR. Has 2 openings, one of which is furnished with a blank sheet cover.

T TYPE CONDUIT BODY*

CATALOG NUMBER		HUB SIZE	DIMENSIONS							VOLUME CU. IN.
KILLARK ALUM.	DURALOY IRON		A	B	C	D	E	F	G	
T17SA	T17	1/2"	5-11/16" (000)	1-13/16" (46)	2-1/2" (64)	1" (25)	3-3/16" (81)	—	5/8" (16)	6.2
T27SA	T27	3/4"	6-5/16" (000)	2-1/16" (52)	2-3/4" (67)	1-1/8" (29)	3-13/16" (97)	—	3/4" (19)	9.5
T37SA	T37	1"	7-5/8" (194)	2-1/4" (57)	3-1/4" (83)	1-3/8" (35)	4-1/2" (114)	—	7/8" (22)	11.5
T47SA	T47	1-1/4"	8" (203)	2-5/16" (59)	3-1/2" (89)	1-13/16" (46)	5" (127)	—	1-1/8" (29)	20.0
T57SA	T57	1-1/2"	8-7/16" (214)	2-9/16" (65)	3-11/16" (94)	2-1/16" (52)	5-7/16" (138)	—	1-1/4" (32)	27.0
T67SA	T67	2"	9-7/16" (240)	3-1/8" (79)	4-1/4" (108)	2-5/8" (67)	6-3/8" (162)	—	1-1/2" (38)	50.0
T77SA	T77	2-1/2"	12-3/4" (324)	4-3/8" (111)	6-3/16" (157)	3-7/8" (98)	8-3/8" (213)	—	2-1/8" (54)	134.0
T87SA	T87	3"	12-3/4" (324)	4-3/8" (111)	6-3/16" (157)	3-7/8" (98)	8-3/8" (213)	—	2-1/8" (54)	134.0
T97SA	T97	3-1/2"	14-7/8" (378)	5-3/8" (137)	7-1/4" (184)	4-3/4" (121)	10-1/4" (260)	—	2-5/8" (67)	238.0
T107SA	T107	4"	14-7/8" (378)	5-3/8" (137)	7-1/4" (184)	4-3/4" (121)	10-1/4" (260)	—	2-5/8" (67)	238.0

* For conduit body packaged with cover and gasket, add **CG** to the catalog number.

DIMENSIONS



L Type

T Type



ALUMINUM OR IRON CONDUIT BODIES



TA Type



E Type



TB Type

E TYPE CONDUIT BODY*

CATALOG NUMBER		HUB SIZE	DIMENSIONS							VOLUME CU. IN.
KILLARK ALUM.	DURALOY IRON		A	B	C	D	E	F	G	
E17SA	E17	1/2"	4-11/16" (119)	1-7/16" (37)	1-1/2" (38)	1" (25)	3-3/16" (81)	—	5/8" (16)	4.0
E27SA	E27	3/4"	5-3/8" (137)	1-11/16" (43)	1-3/4" (67)	1-1/8" (29)	3-13/16" (97)	—	3/4" (19)	7.0
E37SA	E37	1"	6-5/16" (160)	1-7/8" (48)	1-15/16" (49)	1-3/8" (35)	4-1/2" (114)	—	7/8" (22)	11.0

TA TYPE CONDUIT BODY*

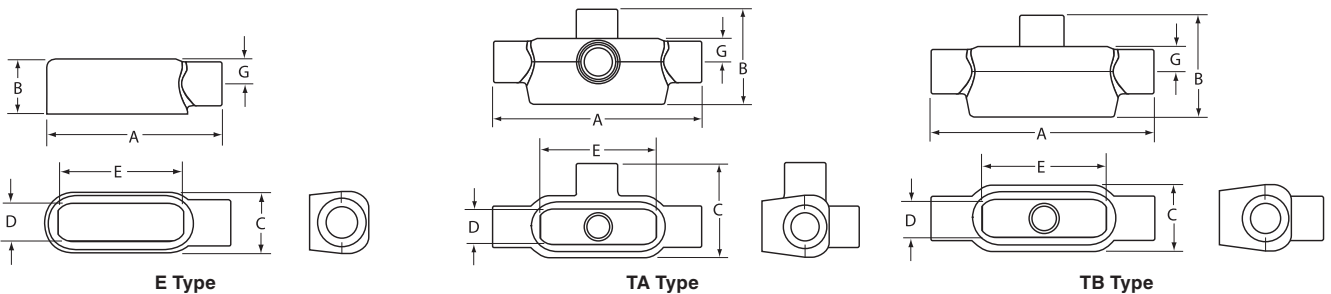
CATALOG NUMBER		HUB SIZE	DIMENSIONS							VOLUME CU. IN.
KILLARK ALUM.	DURALOY IRON		A	B	C	D	E	F	G	
TA17SA	TA17	1/2"	5-11/16" (144)	2-5/8" (67)	2-1/2" (64)	1" (25)	3-3/16" (81)	—	5/8" (16)	6.2
TA27SA	TA27	3/4"	6-5/16" (160)	2-7/8" (73)	2-3/4" (67)	1-1/8" (29)	3-13/16" (97)	—	3/4" (19)	9.5
TA37SA	TA37	1"	7-5/8" (194)	3-3/8" (86)	3-1/4" (100)	1-3/8" (35)	4-1/2" (114)	—	7/8" (22)	15.5
TA47SA	TA47	1-1/4"	8" (203)	3-1/2" (89)	3-1/2" (89)	1-13/16" (46)	5" (127)	—	1-1/8" (32)	20.0
TA57SA	TA57	1-1/2"	8-7/16" (214)	3-3/4" (95)	3-11/16" (94)	2-1/16" (52)	5-7/16" (138)	—	1-1/4" (32)	27.0
TA67SA	TA67	2"	9-7/16" (240)	4-5/16" (110)	4-1/4" (108)	2-5/8" (67)	6-3/8" (162)	—	1-1/2" (38)	50.0

TB TYPE CONDUIT BODY*

CATALOG NUMBER		HUB SIZE	DIMENSIONS							VOLUME CU. IN.
KILLARK ALUM.	DURALOY IRON		A	B	C	D	E	F	G	
TB17SA	TB17	1/2"	5-11/16" (144)	2-5/8" (67)	1-11/16" (43)	1" (25)	3-3/16" (81)	—	5/8" (16)	6.2
TB27SA	TB27	3/4"	6-5/16" (160)	2-7/8" (73)	1-7/8" (67)	1-1/8" (29)	3-13/16" (97)	—	3/4" (19)	9.5
TB37SA	TB37	1"	7-5/8" (194)	3-3/8" (86)	3-3/8" (86)	1-3/8" (35)	4-1/2" (114)	—	7/8" (22)	15.5
TB47SA	TB47	1-1/4"	8" (203)	3-1/2" (89)	3-1/2" (89)	1-13/16" (46)	5" (127)	—	1-1/8" (29)	20.0
TB57SA	TB57	1-1/2"	8-7/16" (214)	3-3/4" (95)	3-3/4" (95)	2-1/16" (52)	5-7/16" (138)	—	1-1/4" (32)	27.0
TB67SA	TB67	2"	9-7/16" (240)	4-5/16" (110)	4-5/16" (110)	2-5/8" (67)	6-3/8" (162)	—	1-1/2" (38)	50.0

* For conduit body packaged with cover and gasket, add **CG** to the catalog number.

DIMENSIONS

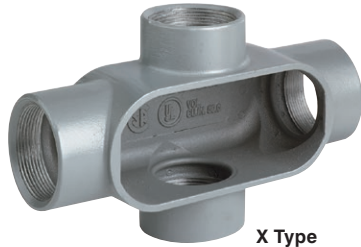




FITTINGS

DURALOY® 7 SERIES

ALUMINUM OR IRON CONDUIT BODIES



X Type



C Type

X TYPE CONDUIT BODY*

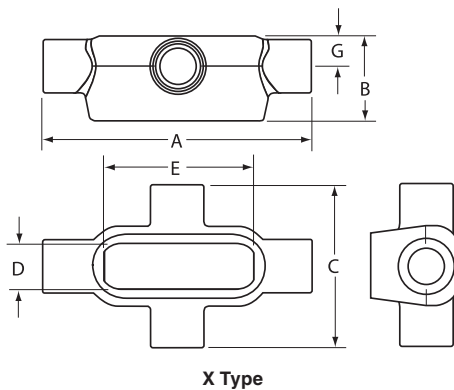
CATALOG NUMBER		HUB SIZE	DIMENSIONS							VOLUME CU. IN.
KILLARK ALUM.	DURALOY IRON		A	B	C	D	E	F	G	
X17SA	X17	1/2"	5-11/16" (144)	1-3/8" (35)	3-3/8" (86)	1" (25)	3-3/16" (81)	—	5/8" (16)	6.2
X27SA	X27	3/4"	6-5/16" (160)	2-1/16" (52)	3-9/16" (67)	1-1/8" (29)	3-13/16" (97)	—	3/4" (19)	9.5
X37SA	X37	1"	7-5/8" (194)	2-1/4" (57)	4-3/8" (111)	1-3/8" (35)	4-1/2" (114)	—	7/8" (22)	15.5
X47SA	X47	1-1/4"	8" (203)	2-5/16" (59)	4-11/16" (000)	1-13/16" (46)	5" (127)	—	1-1/8" (29)	20.0
X57SA	X57	1-1/2"	8-7/16" (214)	2-9/16" (65)	4-7/8" (124)	2-1/16" (52)	5-7/16" (138)	—	1-1/4" (32)	27.0
X67SA	X67	2"	9-7/16" (240)	3-1/8" (79)	5-7/16" (138)	2-5/8" (67)	6-3/8" (162)	—	1-1/2" (38)	50.0

C TYPE CONDUIT BODY*

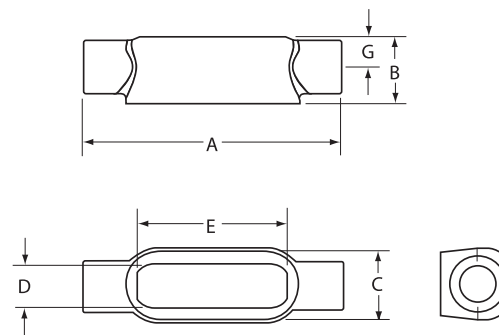
CATALOG NUMBER		HUB SIZE	DIMENSIONS							VOLUME CU. IN.
KILLARK ALUM.	DURALOY IRON		A	B	C	D	E	F	G	
C17SA	C17	1/2"	5-1/2" (140)	1-7/16" (37)	1-1/2" (38)	1" (25)	3-3/16" (81)	—	5/8" (16)	4.0
C27SA	C27	3/4"	6-3/16" (157)	1-11/16" (43)	1-3/4" (67)	1-1/8" (29)	3-13/16" (97)	—	3/4" (19)	7.0
C37SA	C37	1"	7-7/16" (189)	1-7/8" (48)	1-15/16" (49)	1-3/8" (35)	4-1/2" (114)	—	7/8" (22)	11.0
C47SA	C47	1-1/4"	8" (203)	2-5/16" (59)	2-5/16" (59)	1-13/16" (46)	5" (127)	—	1-1/8" (29)	19.5
C57SA	C57	1-1/2"	8-7/16" (214)	2-9/16" (65)	2-1/2" (64)	2-1/16" (52)	5-7/16" (138)	—	1-1/4" (32)	26.0
C67SA	C67	2"	9-7/16" (240)	3-1/8" (79)	3-1/16" (78)	2-5/8" (67)	6-3/8" (162)	—	1-1/2" (38)	48.0
C77SA	C77	2-1/2"	12-3/4" (324)	4-3/8" (111)	4-3/8" (111)	3-7/8" (98)	8-3/8" (213)	—	2-1/8" (54)	131.5
C87SA	C87	3"	12-3/4" (324)	4-3/8" (111)	4-3/8" (111)	3-7/8" (98)	8-3/8" (213)	—	2-1/8" (54)	131.5
C97SA	C97	3-1/2"	14-7/8" (378)	5-3/8" (137)	5-3/8" (137)	4-3/4" (121)	10-1/4" (260)	—	2-5/8" (67)	238.0
C107SA	C107	4"	14-7/8" (378)	5-3/8" (137)	5-3/8" (137)	4-3/4" (121)	10-1/4" (260)	—	2-5/8" (67)	238.0

* For conduit body packaged with cover and gasket, add **CG** to the catalog number.

DIMENSIONS



X Type



C Type



ALUMINUM OR IRON CONDUIT BODIES



LB Type



LL Type

LB TYPE CONDUIT BODY*

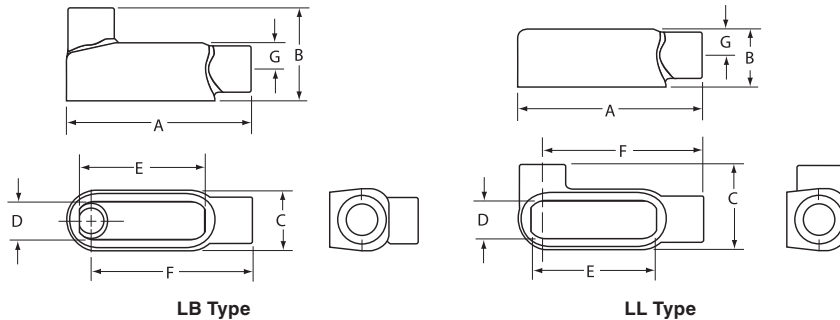
CATALOG NUMBER		HUB SIZE	DIMENSIONS							VOLUME CU. IN.
KILLARK ALUM.	DURALOY IRON		A	B	C	D	E	F	G	
LB17SA	LB17	1/2"	4-11/16" (119)	2-1/4" (57)	1-1/2" (38)	1" (25)	3-3/16" (81)	4-1/16" (103)	5/8" (16)	4.0
LB27SA	LB27	3/4"	5-3/8" (137)	2-1/2" (64)	1-3/4" (67)	1-1/8" (29)	3-13/16" (97)	4-5/8" (117)	3/4" (19)	7.0
LB37SA	LB37	1"	6-5/16" (160)	3" (76)	1-15/16" (49)	1-3/8" (35)	4-1/2" (114)	5-3/8" (137)	7/8" (22)	11.0
LB47SA	LB47	1-1/4"	6-13/16" (173)	3-1/2" (89)	2-5/16" (59)	1-13/16" (46)	5" (127)	5-3/4" (146)	1-1/8" (29)	19.5
LB57SA	LB57	1-1/2"	7-1/4" (184)	3-3/4" (95)	2-1/2" (64)	2-1/16" (52)	5-7/16" (138)	6-1/16" (154)	1-1/4" (32)	26.0
LB67SA	LB67	2"	8-1/4" (210)	4-5/16" (109)	3-1/16" (78)	2-5/8" (67)	6-3/8" (162)	6-3/4" (171)	1-1/2" (38)	48.0
LB77SA	LB77	2-1/2"	10-15/16" (278)	6-3/16" (157)	4-3/8" (111)	3-7/8" (98)	8-3/8" (213)	8-3/4" (222)	2-1/8" (54)	131.5
LB87SA	LB87	3"	10-15/16" (278)	6-3/16" (157)	4-3/8" (111)	3-7/8" (98)	8-3/8" (213)	8-3/4" (222)	2-1/8" (54)	131.5
LB97SA	LB97	3-1/2"	13" (330)	7-1/4" (184)	5-3/8" (137)	4-3/4" (121)	10-1/4" (260)	10-5/16" (262)	2-5/8" (67)	238.0
LB107SA	LB107	4"	13" (330)	7-1/4" (184)	5-3/8" (137)	4-3/4" (121)	10-1/4" (260)	10-5/16" (262)	2-5/8" (67)	238.0

LL TYPE CONDUIT BODY*

CATALOG NUMBER		HUB SIZE	DIMENSIONS							VOLUME CU. IN.
KILLARK ALUM.	DURALOY IRON		A	B	C	D	E	F	G	
LL17SA	LL17	1/2"	4-11/16" (119)	1-7/16" (37)	2-5/16" (59)	1" (25)	3-3/16" (81)	4-1/16" (103)	5/8" (16)	4.0
LL27SA	LL27	3/4"	5-3/8" (137)	1-11/16" (43)	2-5/8" (67)	1-1/8" (29)	3-13/16" (97)	4-5/8" (117)	3/4" (19)	7.0
LL37SA	LL37	1"	6-5/16" (160)	1-7/8" (48)	3-1/16" (78)	1-3/8" (35)	4-1/2" (114)	5-3/8" (137)	7/8" (22)	11.0
LL47SA	LL47	1-1/4"	6-13/16" (173)	2-5/16" (59)	3-1/2" (89)	1-13/16" (46)	5" (127)	5-3/4" (146)	1-1/8" (29)	19.5
LL57SA	LL57	1-1/2"	7-1/4" (184)	2-9/16" (65)	3-11/16" (94)	2-1/16" (52)	5-7/16" (138)	6-1/16" (154)	1-1/4" (32)	26.0
LL67SA	LL67	2"	8-1/4" (210)	3-1/8" (79)	4-1/4" (108)	2-5/8" (67)	6-3/8" (162)	6-3/4" (171)	1-1/2" (38)	48.0
LL77SA	LL77	2-1/2"	10-15/16" (278)	4-3/8" (111)	6-3/16" (157)	3-7/8" (98)	8-3/8" (213)	8-3/4" (222)	2-1/8" (54)	131.5
LL87SA	LL87	3"	10-15/16" (278)	4-3/8" (111)	6-3/16" (157)	3-7/8" (98)	8-3/8" (213)	8-3/4" (222)	2-1/8" (54)	131.5
LL97SA	LL97	3-1/2"	13" (330)	5-3/8" (137)	7-1/4" (184)	4-3/4" (121)	10-1/4" (260)	10-5/16" (262)	2-5/8" (67)	238.0
LL107SA	LL107	4"	13" (330)	5-3/8" (137)	7-1/4" (184)	4-3/4" (121)	10-1/4" (260)	10-5/16" (262)	2-5/8" (67)	238.0

* For conduit body packaged with cover and gasket, add **CG** to the catalog number.

DIMENSIONS



LB Type

LL Type



FITTINGS

DURALOY® 7 SERIES

ALUMINUM AND STEEL COVERS AND GASKETS



Stamped Covers



Stamped Covers with Integral Neoprene Gasket



Cast Covers



Cast Covers with Integral Neoprene Gasket

Stamped Material/Finish

Aluminum

- Gasketed 316 stainless steel screws
- Natural finish

Galvanized Steel

- 316 stainless steel screws
- Natural finish

Gasket

- Neoprene

STAMPED ALUMINUM AND STAMPED STEEL COVERS WITHOUT AND WITH GASKETS							
CATALOG NUMBER				HUB SIZE	DIMENSIONS		
ALUMINUM W/O GASKET	ALUMINUM W/GASKET	STEEL W/O GASKET	STEEL W/ GASKET		LENGTH	WIDTH	HEIGHT*
170SA	170GSA	170	170G	1/2"	3-11/16" (94)	1-3/8" (35)	5/16" (8)
270SA	270GSA	270	270G	3/4"	4-1/4" (108)	1-1/2" (32)	5/16" (8)
370SA	370GSA	370	370G	1"	5" (127)	1-3/4" (44)	5/16" (8)
470SA	470GSA	470	470G	1-1/4"	5-1/2" (140)	2-3/16" (56)	5/16" (8)
570SA	570GSA	570	570G	1-1/2"	6" (152)	2-7/16" (62)	5/16" (8)
670SA	670GSA	670	670G	2"	7" (178)	3" (76)	5/16" (8)
870SA	870GSA	870	870G	2-1/2"	9" (229)	4-1/4" (108)	9/16" (14)
870SA	870GSA	870	870G	3"	9" (229)	4-1/4" (108)	9/16" (14)
970SA	970GSA	970	970G	3-1/2"	11" (279)	5-1/4" (133)	9/16" (14)
970SA	970GSA	970	970G	4"	11" (279)	5-1/4" (133)	9/16" (14)

* For covers with integral gasket, add 1/8" (3) to height.

Cast Material/Finish

Copper-free Aluminum

(less than 1/100 of 1%)

- Electrostatically applied powder coating

Duraloy Gray Iron Alloy

- Duraloy malleable gray iron
 - » Tri-coat finish of electro-zinc and chromate sealant with electrostatically applied Duraloy Plus powder coat paint
- Gasketed 316 stainless steel screws

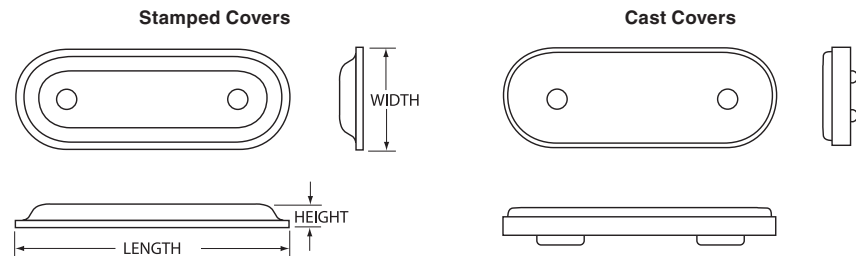
Gasket

- Neoprene

CAST ALUMINUM AND CAST IRON COVERS WITHOUT AND WITH GASKETS							
CATALOG NUMBER				HUB SIZE	DIMENSIONS		
ALUMINUM W/O GASKET	ALUMINUM W/GASKET	IRON W/O GASKET	IRON W/ GASKET		LENGTH	WIDTH	HEIGHT*
170CSA	170CGSA	170C	170CG	1/2"	3-11/16" (94)	1-3/8" (35)	5/16" (8)
270CSA	270CGSA	270C	270CG	3/4"	4-1/4" (108)	1-1/2" (32)	5/16" (8)
370CSA	370CGSA	370C	370CG	1"	5" (127)	1-3/4" (44)	5/16" (8)
470CSA	470CGSA	470C	470CG	1-1/4"	5-1/2" (140)	2-3/16" (56)	5/16" (8)
570CSA	570CGSA	570C	570CG	1-1/2"	6" (152)	2-7/16" (62)	5/16" (8)
670CSA	670CGSA	670C	670CG	2"	7" (178)	3" (76)	5/16" (8)
870CSA	870CGSA	870C	870CG	2-1/2"	9" (229)	4-1/4" (108)	9/16" (14)
870CSA	870CGSA	870C	870CG	3"	9" (229)	4-1/4" (108)	9/16" (14)
970CSA	970CGSA	970C	970CG	3-1/2"	11" (279)	5-1/4" (133)	9/16" (14)
970CSA	970CGSA	970C	970CG	4"	11" (279)	5-1/4" (133)	9/16" (14)

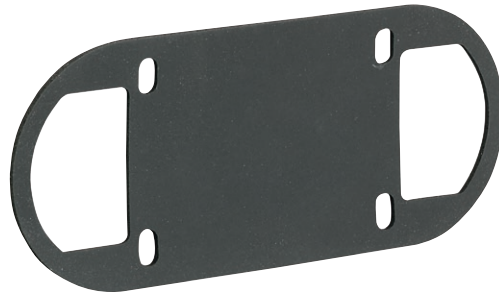
* For covers with integral gasket, add 1/8" (3) to height.

DIMENSIONS





GASKETS



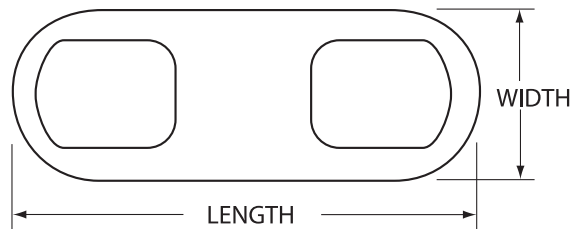
Cover Gaskets

Material

- Open cell neoprene

COVER GASKETS (OPEN CELL NEOPRENE)				
CATALOG NUMBER	HUB SIZE	DIMENSIONS		
		LENGTH	WIDTH	HEIGHT
GASK571	1/2"	3-11/16" (94)	1-3/8" (35)	1/8" (3)
GASK572	3/4"	4-1/4" (108)	1-1/2" (38)	1/8" (3)
GASK573	1"	5" (127)	1-3/4" (44)	1/8" (3)
GASK574	1-1/4"	5-1/2" (140)	2-3/16" (56)	1/8" (3)
GASK575	1-1/2"	6" (152)	2-7/16" (62)	1/8" (3)
GASK576	2"	7" (178)	3" (76)	1/8" (3)
GASK578	2-1/2"	9" (229)	4-1/4" (108)	1/8" (3)
GASK578	3"	9" (229)	4-1/4" (108)	1/8" (3)
GASK579	3-1/2"	11" (279)	5-1/4" (133)	1/8" (3)
GASK579	4"	11" (279)	5-1/4" (133)	1/8" (3)

DIMENSIONS





K-PAK SHELF CARTONS

K-PAK[®]



FEATURES-SPECIFICATIONS

K-PAK[®] packaging enables Killark distributors to feature fast-moving products in counter display areas.

The uniformly sized (width and height are consistent) cartons allow items to be merchandised on a typical 48" w x 54" H x 18" gondola unit (not supplied by Killark).

Features

- Cartons are suitable for counter merchandising display and/or warehouse storage.
- Open-top bin box displays products for easy customer self-service.
- All cartons are bar coded for easy electronic identification.
- Conduit bodies are packaged with appropriate covers and gaskets.
- Intact shrink-wrap packaging allows for clean install every time

K-PAK Carton Dimensions (Aluminum)

- Full depth cartons:
 - » 6" W x 8½" H x 15" D
- Half depth cartons:
 - » 6" W x 8½" H x 7½" D
- Display face (width & height) same for all cartons.

Additional Information:

- K-packing available in both Duraloy[®] 5 and 7 Malleable, but carton sizes will vary



K-PAK SHELF CARTONS

O FITTINGS		
CATALOG NUMBER	DESCRIPTION	PKG QTY.
OC-1CG	1/2" C w/cover & gasket	40
OC-2CG	3/4" C w/cover & gasket	25
OC-3CG	1" C w/cover & gasket	20
OC-4CG	1-1/4" C w/cover & gasket	8
OC-5CG	1-1/2" C w/cover & gasket	8
OC-6CG	2" C w/cover & gasket	3
OLB-1CG	1/2" LB w/cover & gasket	40
OLB-2CG	3/4" LB w/cover & gasket	25
OLB-3CG	1" LB w/cover & gasket	15
OLB-4CG	1-1/2" LB w/cover & gasket	8
OLB-5CG	1-1/2" LB w/cover & gasket	5
OLB-6CG	2" LB w/cover & gasket	3
OLB-7CG	2-1/2" LB w/cover & gasket	1
OLB-8CG	3" LB w/cover & gasket	1
OLB-9CG	3-1/2" LB w/cover & gasket	1
OLB-0CG	4" LB w/cover & gasket	1
OLL-1CG	1/2" LL w/cover & gasket	40
OLL-2CG	3/4" LL w/cover & gasket	25
OLL-3CG	1" LL w/cover & gasket	15
OLL-4CG	1-1/4" LL w/cover & gasket	8
OLL-5CG	1-1/2" LL w/cover & gasket	8
OLL-6CG	2" LL w/cover & gasket	3
OLR-1CG	1/2" LR w/cover & gasket	40
OLR-2CG	3/4" LR w/cover & gasket	25
OLR-3CG	1" LR w/cover & gasket	15
OLR-4CG	1-1/4" LR w/cover & gasket	8
OLR-5CG	1-1/2" LR w/cover & gasket	8
OLR-6CG	2" LR w/cover & gasket	3
OT-1CG	1/2" T w/cover & gasket	30
OT-2CG	3/4" T w/cover & gasket	25
OT-3CG	1" T w/cover & gasket	15
OT-4CG	1-1/4" T w/cover & gasket	8
OT-5CG	1-1/2" T w/cover & gasket	8
OT-6CG	2" T w/cover & gasket	2

SLB FITTINGS		
CATALOG NUMBER	DESCRIPTION	PKG QTY.
SLB-1-CP	1/2" Service entrance LB	50
SLB-2-CP	3/4" Service entrance LB	25
SLB-3-CP	1" Service entrance LB	25

CO FITTINGS*		
CATALOG NUMBER	DESCRIPTION	PKG QTY.
COC-1CG	1/2" C w/cover & gasket	10
COC-2CG	3/4" C w/cover & gasket	10
COC-3CG	1" C w/cover & gasket	5
COLB-1CG	1/2" LB w/cover & gasket	10
COLB-2CG	3/4" LB w/cover & gasket	10
COLB-3CG	1" LB w/cover & gasket	5
COLL-1CG	1" L w/cover & gasket	10
COLL-2CG	2" L w/cover & gasket	10
COLL-3CG	3" L w/cover & gasket	5
COLR-1CG	1/2" LR w/cover & gasket	10
COLR-2CG	3/4" LR w/cover & gasket	10
COLR-3CG	1" LR w/cover & gasket	5
COT-1CG	1/2" LR w/cover & gasket	10
COT-2CG	3/4" LR w/cover & gasket	10
COT-3CG	1" LR w/cover & gasket	5

FS/FD BACK BOXES/COVERS		
CATALOG NUMBER	DESCRIPTION	PKG QTY.
1FA-CP	Duplex cover	50
1FT-CP	Toggle cover	50
FCLA-CP	Duplex cover	25
FDC-1-CP	1/2" FDC box	10
FDC-2-CP	3/4" FDC box	10
FD-1-CP	1/2" FD box	10
FD-2-CP	3/4" FD box	10
FSBC-CP	Blank cover	50
FSC-1-CP	1/2" FSC box	15
FSC-2-CP	3/4" FSC box	15
FST-CP	Cover	25
FS-1-CP	1/2" FS box	20
FS-2-CP	3/4" FS box	20

WH WEATHERPROOF HUBS		
CATALOG NUMBER	DESCRIPTION	PKG QTY.
WH-1	1/2" Conduit hub	25
WH-2	3/4" Conduit hub	25
WH-3	1" Conduit hub	25



FITTINGS

DURALOY® 8 SERIES

IRON CONDUIT BODIES

DURALOY® 8



Suitable for wet locations when used with gasketed covers.

Federal Specification
W-C-586D/A-A 50563.

Suitable for use in hazardous location applications when installed according to NEC Articles 501.10(b), Class I, Div. 2, (Suitable for use in Class I Zone 2 applications) 502.10 and 503.10.

 LISTED E3397

 Certified LR11852

FEATURES-SPECIFICATIONS

Features

- Completely interchangeable with competitive bodies, gaskets, and covers
- Flat back design provides greater cubic capacity for easier wire pulling and more room for splicing
- Raintight when used with gasketed covers
- Stainless steel screws on stamped and cast covers
- Smooth integral wire bushings
- Larger volume than Duraloy® 5 and 7 for bigger space for maintenance
- Add PP to end of catalog logic for cover and gasket packaging.

Materials

Duraloy Gray Iron Alloy

- Duraloy malleable gray iron
 - » Tri-coat finish of electro-zinc and chromate sealant with electrostatically applied Duraloy Plus powder coat paint



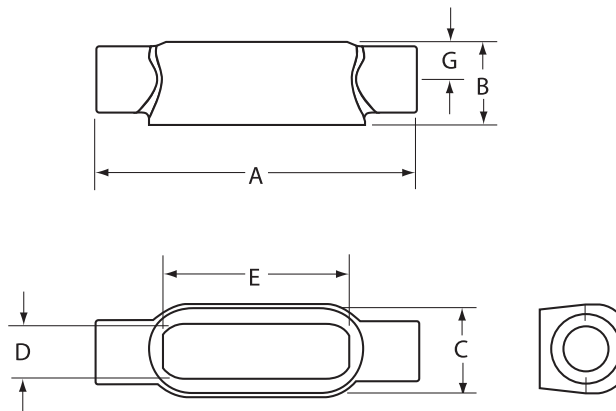
IRON CONDUIT BODIES



C Type

C TYPE CONDUIT BODY*									
CATALOG NUMBER	HUB SIZE	DIMENSIONS							VOLUME CU. IN.
		A	B	C	D	E	F	G	
C18	1/2"	5-5/16" (135)	1-15/32" (37)	1-15/32" (37)	1" (25)	3-9/32" (83)	—	5/8" (16)	5.0
C28	3/4"	6-9/16" (167)	1-11/16" (43)	1-21/32" (42)	1-3/16" (30)	3-15/16" (100)	—	3/4" (19)	8.0
C38	1"	7-9/16" (192)	1-31/32" (50)	1-27/32" (47)	1-3/8" (35)	4-17/32" (115)	—	7/8" (22)	12.25
C448	1-1/4"	8-7/16" (214)	2-3/8" (60)	2-5/32" (55)	1-3/4" (44)	5-15/16" (151)	—	1-3/32" (28)	23.25
C58	1-1/2"	10-3/8" (264)	2-25/32" (71)	2-25/32" (71)	2-3/32" (53)	6-1/2" (165)	—	1-3/8" (35)	42.50
C68	2"	12-3/8" (314)	3-9/16" (90)	3-27/32" (98)	3" (76)	8-5/8" (219)	—	1-7/8" (48)	105.00
C78	2-1/2"	15-5/8" (397)	4-7/16" (113)	5" (127)	4-1/4" (108)	10-7/8" (276)	—	2-1/2" (64)	200.00
C88	3"	15-5/8" (397)	4-13/16" (122)	5" (127)	4-1/4" (108)	10-7/8" (276)	—	2-1/2" (64)	217.00

DIMENSIONS



C Type



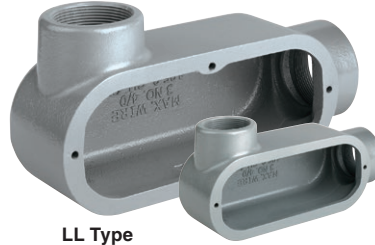
FITTINGS

DURALOY® 8 SERIES

IRON CONDUIT BODIES



LB Type



LL Type

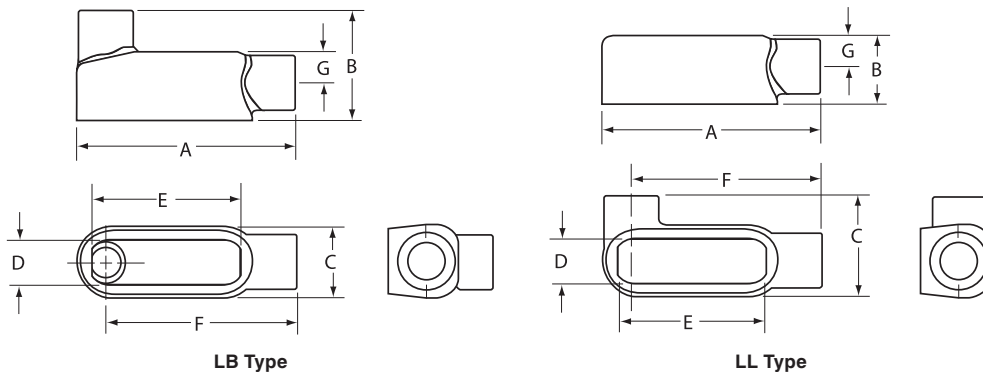
LB TYPE CONDUIT BODY*

CATALOG NUMBER	HUB SIZE	DIMENSIONS							VOLUME CU. IN.
		A	B	C	D	E	F	G	
LB18	1/2"	5-3/32" (129)	2-9/32" (58)	1-15/32" (37)	1" (25)	3-9/32" (83)	4-3/8" (111)	5/8" (16)	5.0
LB28	3/4"	5-3/4" (146)	2-1/2" (64)	1-21/32" (42)	1-3/16" (30)	3-15/16" (100)	4-29/32" (125)	3/4" (19)	8.0
LB38	1"	6-5/8" (168)	2-29/32" (74)	1-27/32" (47)	1-3/8" (35)	4-17/32" (115)	5-23/32" (145)	7/8" (22)	13.0
LB448	1-1/4"	7-1/2" (191)	3-5/16" (84)	2-5/32" (55)	1-3/4" (44)	5-15/16" (151)	6-13/32" (163)	1-3/32" (28)	24.0
LB58	1-1/2"	9-1/8" (232)	4-1/32" (102)	4-25/32" (121)	2-3/32" (53)	6-1/2" (165)	7-3/4" (197)	1-3/8" (35)	42.0
LB68	2"	11-1/8" (283)	4-13/16" (122)	4-13/16" (122)	3" (76)	8-5/8" (219)	9-3/16" (233)	1-7/8" (48)	105.0
LB78	2-1/2"	13-15/16" (354)	6-1/8" (156)	6-1/8" (156)	4-1/4" (108)	10-7/8" (276)	11-7/16" (291)	2-1/2" (64)	200.0
LB888	3"	13-15/16" (354)	6-1/2" (165)	6-1/2" (165)	4-1/4" (108)	10-7/8" (276)	11-7/16" (291)	2-1/2" (64)	217.0
LB98	3-1/2"	16-7/8" (429)	7-9/16" (192)	7-9/16" (192)	5-7/16" (138)	13-7/8" (352)	13-3/4" (349)	3-1/8" (79)	380.0
LB108	4"	16-7/8" (429)	7-13/16" (198)	7-13/16" (198)	5-7/16" (138)	13-7/8" (352)	13-3/4" (349)	3-1/8" (79)	400.0

LL TYPE CONDUIT BODY*

CATALOG NUMBER	HUB SIZE	DIMENSIONS							VOLUME CU. IN.
		A	B	C	D	E	F	G	
LL18	1/2"	5-3/32" (129)	2-9/32" (56)	1-15/32" (37)	1" (25)	3-9/32" (83)	4-3/8" (111)	5/8" (16)	5.0
LL28	3/4"	5-3/4" (146)	2-1/2" (64)	1-21/32" (42)	1-3/16" (30)	3-15/16" (100)	4-29/32" (125)	3/4" (19)	8.0
LL38	1"	6-5/8" (168)	2-29/32" (74)	1-27/32" (47)	1-3/8" (35)	4-17/32" (115)	5-23/32" (145)	7/8" (22)	13.0
LL448	1-1/4"	7-1/2" (191)	3-5/16" (84)	2-5/32" (55)	1-3/4" (44)	5-15/16" (151)	6-13/32" (163)	1-3/32" (28)	24.0
LL58	1-1/2"	9-1/8" (232)	4-1/32" (102)	4-25/32" (121)	2-3/32" (53)	6-1/2" (165)	7-3/4" (197)	1-3/8" (35)	42.0
LL68	2"	11-1/8" (283)	4-13/16" (122)	4-13/16" (122)	3" (76)	8-5/8" (219)	9-3/16" (233)	1-7/8" (48)	105.0
LL78	2-1/2"	13-15/16" (354)	6-1/8" (156)	6-1/8" (156)	4-1/4" (108)	10-7/8" (276)	11-7/16" (291)	2-1/2" (64)	200.0
LL888	3"	13-15/16" (354)	6-1/2" (165)	6-1/2" (165)	4-1/4" (108)	10-7/8" (276)	11-7/16" (291)	2-1/2" (64)	217.0

DIMENSIONS



LB Type

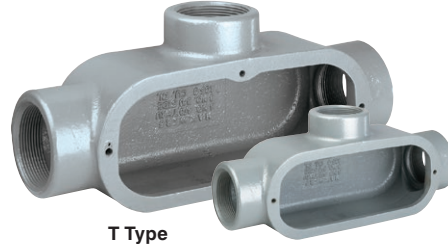
LL Type



IRON CONDUIT BODIES



LR Type



T Type

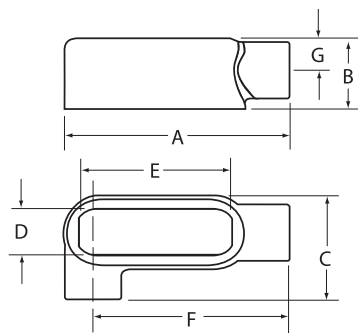
LR TYPE CONDUIT BODY*

CATALOG NUMBER	HUB SIZE	DIMENSIONS							VOLUME CU. IN.
		A	B	C	D	E	F	G	
LR18	1/2"	5-3/32" (129)	1-15/16" (49)	2-9/32" (58)	1" (52)	3-9/32" (83)	4-3/8" (111)	5/8" (16)	5.0
LR28	3/4"	5-3/4" (146)	1-11/16" (43)	2-1/2" (64)	1-3/16" (30)	3-15/16" (84)	4-29/32" (125)	3/4" (19)	8.0
LR38	1"	6-5/8" (168)	1-31/32" (50)	2-29/32" (74)	1-3/8" (35)	4-17/32" (115)	5-23/32" (145)	7/8" (22)	13.0
LR448	1-1/4"	7-1/2" (191)	2-3/8" (60)	3-5/16" (84)	1-3/4" (44)	5-15/16" (151)	6-13/32" (163)	1-3/32" (28)	24.0
LR58	1-1/2"	9-1/8" (232)	2-25/32" (71)	4-1/32" (102)	2-3/32" (53)	6-1/2" (165)	7-3/4" (199)	1-3/8" (35)	42.0
LR68	2"	11-1/8" (283)	3-9/16" (90)	4-13/16" (122)	3" (76)	8-5/8" (219)	9-3/16" (233)	1-7/8" (48)	105.0
LR78	2-1/2"	13-15/16" (354)	4-7/16" (113)	6-1/8" (156)	4-1/4" (108)	10-7/8" (276)	11-7/16" (291)	2-1/2" (64)	200.0
LR888	3"	13-15/16" (354)	4-13/16" (122)	6-1/2" (165)	4-1/4" (108)	10-7/8" (276)	11-7/16" (291)	2-1/2" (64)	217.0

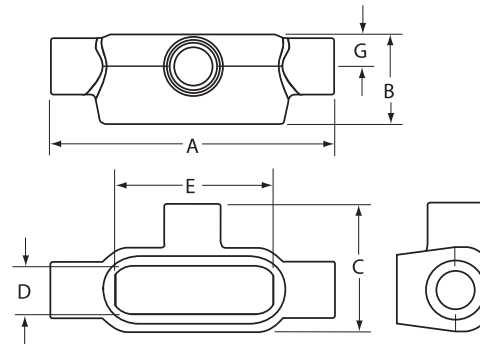
T TYPE CONDUIT BODY*

CATALOG NUMBER	HUB SIZE	DIMENSIONS							VOLUME CU. IN.
		A	B	C	D	E	F	G	
T18	1/2"	5-15/16" (151)	1-25/32" (45)	2-5/16" (59)	1" (25)	3-9/32" (83)	—	5/8" (16)	6.0
T28	3/4"	6-9/16" (167)	2" (51)	2-1/2" (64)	1-3/16" (30)	3-15/16" (100)	—	3/4" (19)	10.0
T38	1"	7-9/16" (192)	2-9/32" (58)	2-25/32" (71)	1-3/8" (35)	4-17/32" (115)	—	7/8" (22)	15.0
T448	1-1/4"	8-7/16" (214)	2-5/8" (67)	3-1/8" (79)	1-3/4" (44)	5-5/16" (135)	—	1-3/32" (28)	25.0
T58	1-1/2"	10-3/8" (264)	2-25/32" (71)	4-1/32" (102)	2-3/32" (53)	6-1/2" (165)	—	1-3/8" (35)	44.0
T68	2"	12-3/8" (314)	3-9/16" (90)	5-1/8" (130)	3" (76)	8-5/8" (219)	—	1-7/8" (48)	105.0
T78	2-1/2"	15-5/8" (397)	4-7/16" (113)	6-11/16" (170)	4-1/4" (108)	10-11/16" (271)	—	2-1/2" (64)	200.0
T88	3"	15-5/8" (397)	4-13/16" (122)	6-11/16" (170)	4-1/4" (108)	10-11/16" (271)	—	2-1/2" (64)	217.0

DIMENSIONS



LR Type



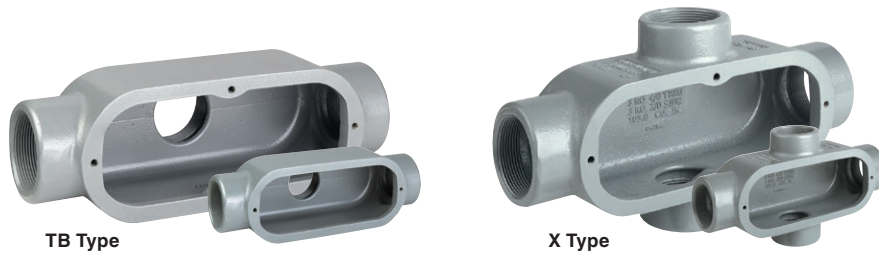
T Type



FITTINGS

DURALOY® 8 SERIES

IRON CONDUIT BODIES



TB Type

X Type

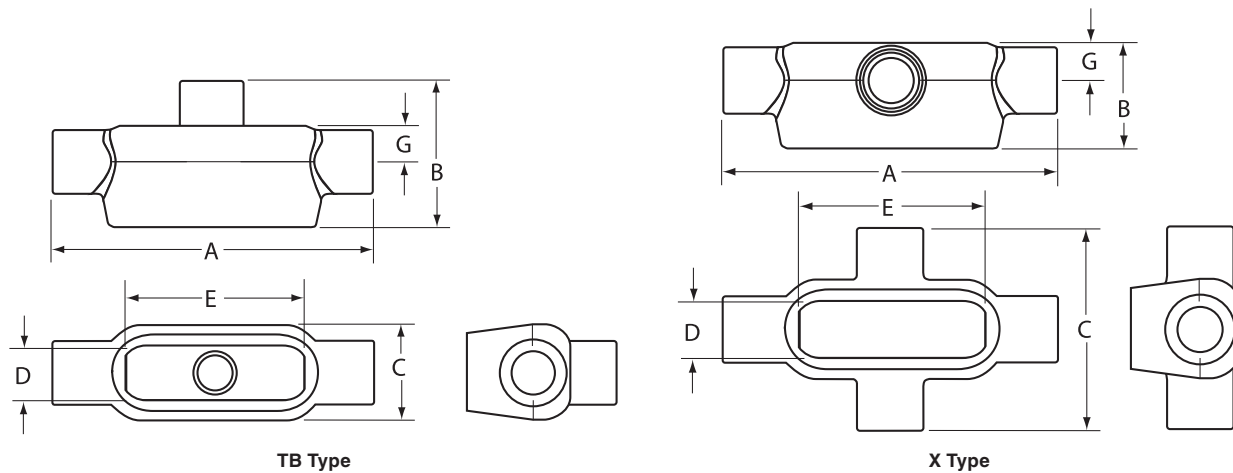
TB TYPE CONDUIT BODY*

CATALOG NUMBER	HUB SIZE	DIMENSIONS							VOLUME CU. IN.
		A	B	C	D	E	F	G	
TB18	1/2"	5-15/16" (151)	2-15/16" (75)	1-15/16" (49)	1" (25)	3-9/32" (83)	—	5/8" (16)	6.0
TB28	3/4"	6-9/16" (167)	2-1/2" (64)	1-21/32" (42)	1-3/16" (30)	3-15/16" (100)	—	3/4" (19)	10.0
TB38	1"	7-9/16" (192)	2-25/32" (71)	1-27/32" (47)	1-3/8" (35)	4-17/32" (115)	—	7/8" (22)	15.0
TB448	1-1/4"	8-7/16" (214)	3-1/8" (79)	2-3/16" (55)	1-3/4" (44)	5-5/16" (135)	—	1-3/32" (26)	25.0
TB58	1-1/2"	10-3/8" (264)	4-1/32" (102)	2-25/32" (71)	2-3/32" (53)	6-1/2" (165)	—	1-3/8" (35)	44.0
TB68	2"	12-3/8" (314)	5-1/8" (130)	3-7/8" (98)	3" (76)	8-5/8" (219)	—	1-7/8" (48)	105.0

X TYPE CONDUIT BODY*

CATALOG NUMBER	HUB SIZE	DIMENSIONS							VOLUME CU. IN.
		A	B	C	D	E	F	G	
X18	1/2"	5-15/16" (151)	1-25/32" (45)	3-1/8" (79)	1" (25)	3-9/32" (83)	—	5/8" (16)	6.0
X28	3/4"	6-9/16" (167)	2" (51)	3-15/16" (100)	1-3/16" (30)	3-15/16" (100)	—	3/4" (19)	10.0
X38	1"	7-9/16" (192)	2-9/32" (58)	3-23/32" (94)	1-3/8" (35)	4-17/32" (115)	—	7/8" (22)	15.0
X448	1-1/4"	8-7/16" (214)	2-5/8" (67)	4-1/16" (103)	1-3/4" (44)	5-5/16" (135)	—	1-3/32" (26)	25.0
X58	1-1/2"	10-3/8" (264)	2-25/32" (71)	5-9/32" (134)	2-3/32" (53)	6-1/2" (165)	—	1-3/8" (35)	44.0
X68	2"	12-3/8" (314)	3-9/16" (90)	6-3/8" (162)	3" (76)	8-5/8" (219)	—	1-7/8" (48)	105.0

DIMENSIONS



TB Type

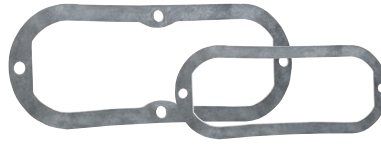
X Type



IRON COVERS AND GASKETS



Cast Covers



Cover Gaskets (Neoprene)



Stamped Steel Covers

Cast Material/Finish

Duraloy Gray Iron Alloy

- Tri-coat finish of electrozinc, chromate sealant, and electrostatically applied powder coating
- 300 Series stainless steel screws

Galvanized Steel

- Natural finish
- 300 Series stainless steel screws

Material/Finish

- Neoprene. Compression molded.

CAST IRON COVERS

CATALOG NUMBER	HUB SIZE	OVERALL DIMENSIONS		
		LENGTH	WIDTH	HEIGHT
180F	1/2"	4-7/32"(107)	1-15/32"(37)	3/8"(10)
280F	3/4"	4-13/16"(122)	1-21/32"(42)	3/8"(10)
380F	1"	5-19/32"(142)	1-27/32"(47)	5/8"(16)
480F	1-1/4"	6-9/16"(167)	2-3/16"(56)	5/8"(16)
580F	1-1/2"	7-7/8"(200)	2-25/32"(71)	5/8"(16)
680F	2"	9-3/4"(248)	3-7/8"(98)	5/8"(16)
880F	2-1/2"	12-1/4"(311)	5"(127)	5/8"(16)
880F	3"	12-1/4"(311)	5"(127)	5/8"(16)
980F	3-1/2"	15"(381)	6-1/4"(159)	5/8"(16)
980F	4"	15"(381)	6-1/4"(159)	5/8"(16)

STAMPED STEEL COVERS

CATALOG NUMBER	HUB SIZE	OVERALL DIMENSIONS		
		LENGTH	WIDTH	HEIGHT
180S	1/2"	4-7/32"(107)	1-15/32"(37)	5/16"(8)
280S	3/4"	4-13/16"(122)	1-21/32"(42)	5/16"(8)
380S	1"	5-19/32"(142)	1-27/32"(47)	5/16"(8)
480S	1-1/4"	6-9/16"(167)	2-3/16"(56)	5/16"(8)
580S	1-1/2"	7-7/8"(200)	2-25/32"(71)	5/16"(8)
680S	2"	9-3/4"(248)	3-7/8"(98)	5/16"(8)
880S	2-1/2"	12-1/4"(311)	5"(127)	9/16"(14)
880S	3"	12-1/4"(311)	5"(127)	9/16"(14)
980S	3-1/2"	15"(381)	6-1/4"(159)	9/16"(14)
980S	4"	15"(381)	6-1/4"(159)	9/16"(14)

COVER GASKETS

CATALOG NUMBER	HUB SIZE	OVERALL DIMENSIONS		
		LENGTH	WIDTH	HEIGHT
GASK851N	1/2"	4-7/32"(107)	1-15/32"(37)	1/8"(3)
GASK852N	3/4"	4-13/16"(122)	1-21/32"(42)	1/8"(3)
GASK853N	1"	5-19/32"(142)	1-27/32"(47)	1/8"(3)
GASK854N	1-1/4"	6-9/16"(167)	2-3/16"(56)	1/8"(3)
GASK805N	1-1/2"	7-7/8"(200)	2-25/32"(71)	1/8"(3)
GASK806N	2"	9-3/4"(248)	3-7/8"(98)	1/8"(3)
GASK808N	2-1/2"	12-1/4"(311)	5"(127)	1/8"(3)
GASK808N	3"	12-1/4"(311)	5"(127)	1/8"(3)
GASK809N	3-1/2"	15"(381)	6-1/4"(159)	1/8"(3)
GASK809N	4"	15"(381)	6-1/4"(159)	1/8"(3)

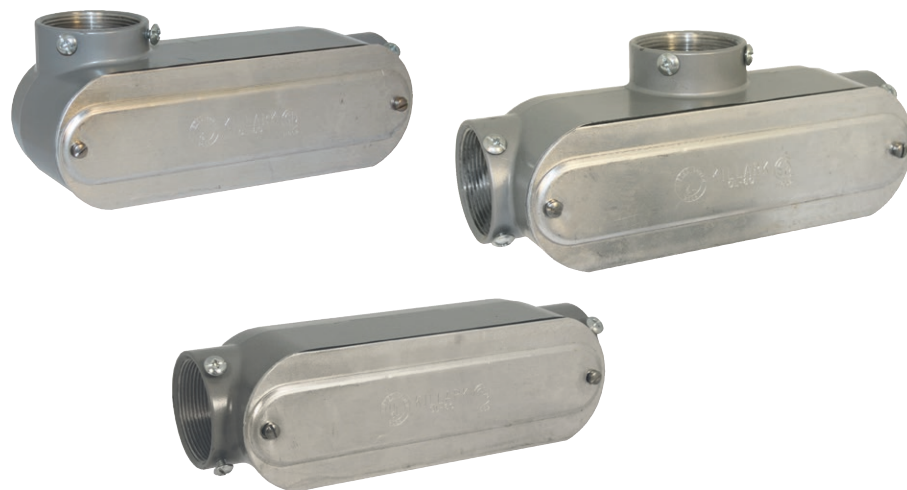
NOTE - (2) screws 1/2" through 1-1/4", (4) screws 1-1/2" through 4"



FITTINGS

CO & TW SERIES

COMBO AND EMT CONDUIT BODIES



 LISTED E3397

 Certified LR11852

FEATURES-SPECIFICATIONS

Features

- Combination bodies have threaded and set screw hubs
- Pre-packaged with body, cover, and gasket.
- For use with IMC and EMT conduit
- Covers furnished with stainless steel screws
- Thread types are NPSM
- Type 3 rating with Rigid/IMC Conduit

Materials

- **CONDUIT BODIES** – Die cast, copper-free aluminum (less than 1/10 of 1%) with electrostatically applied powder coating.
- **COVERS** – Stamped Aluminum/Natural Finish
- **GASKETS** – Neoprene



COMBO AND EMT CONDUIT BODIES



C Type - COC-1,2,3



C Type - COC-4,5,6



LB Type - COLB-1,2,3



LB Type - COLB-4,5,6

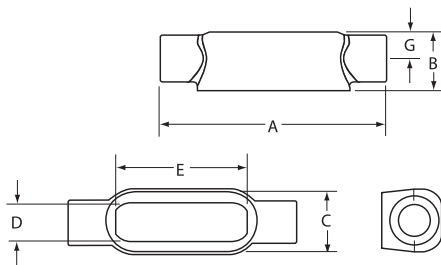
C TYPE CONDUIT BODY

	CATALOG NUMBER	HUB SIZE	DIMENSIONS						VOLUME CU. IN.	
			A	B	C	D	E	F		G
C O M B O	COC-1CG	1/2"	5-3/8" (137)	1-3/8" (35)	1-3/8" (35)	1" (25)	3-5/32" (80)	—	5/8" (16)	4.0
	COC-2CG	3/4"	6-1/8" (156)	1-5/8" (41)	1-5/8" (67)	1-7/32" (31)	3-25/32" (96)	—	3/4" (19)	7.0
	COC-3CG	1"	7-1/8" (181)	2" (51)	1-7/8" (48)	1-15/32" (37)	4-17/32" (115)	—	15/16" (24)	12.0
	COC-4CG	1-1/4"	9-1/8" (232)	2-5/8" (67)	2-5/8" (67)	2" (51)	6" (152)	—	1-3/16" (30)	32.0
	COC-5CG	1-1/2"	9-1/4" (235)	2-3/4" (70)	2-5/8" (67)	2" (51)	6" (152)	—	1-3/8" (32)	36.0
	COC-6CG	2"	11-7/8" (302)	3-1/2" (89)	3-1/8" (79)	2-9/16" (65)	8-1/16" (205)	—	1-5/8" (38)	70.0
E M T	TWOC-7CG	2-1/2"	15-1/8" (384)	4" (102)	4-3/8" (111)	3-11/16" (94)	10-5/8" (270)	—	1-13/16" (54)	153.0
	TWOC-8CG	3"	15-1/8" (384)	4-3/4" (121)	4-3/8" (111)	3-11/16" (94)	10-5/8" (270)	—	2-3/16" (54)	181.0
	TWOC-9CG	3-1/2"	18-3/8" (467)	5-1/2" (140)	5-1/2" (140)	4-7/8" (124)	13-1/8" (333)	—	2-1/2" (67)	290.0
	TWOC-0CG	4"	18-3/8" (467)	5-5/8" (143)	5-1/2" (140)	4-7/8" (124)	13-1/8" (333)	—	2-3/4" (67)	320.0

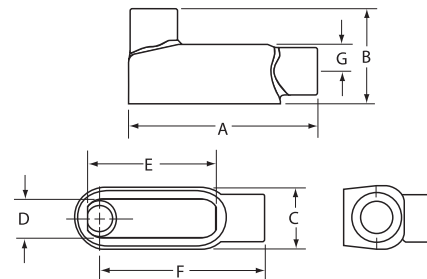
LB TYPE CONDUIT BODY

	CATALOG NUMBER	HUB SIZE	DIMENSIONS						VOLUME CU. IN.	
			A	B	C	D	E	F		G
C O M B O	COLB-1CG	1/2"	4-17/32" (115)	2-9/32" (83)	1-3/8" (35)	1" (25)	3-5/32" (80)	4-3/8" (111)	5/8" (16)	4.0
	COLB-2CG	3/4"	5-3/4" (146)	2-1/2" (64)	1-5/8" (41)	1-7/32" (31)	3-25/32" (96)	4-29/32" (125)	3/4" (19)	7.0
	COLB-3CG	1"	6-5/8" (168)	2-29/32" (74)	1-7/8" (48)	1-15/32" (37)	4-17/32" (115)	5-23/32" (145)	15/16" (24)	12.0
	COLB-4CG	1-1/4"	7-1/2" (191)	3-3/16" (81)	2-5/8" (67)	2" (51)	6" (152)	6-13/32" (162)	1-3/16" (30)	28.8
	COLB-5CG	1-1/2"	9-1/8" (232)	4" (102)	2-5/8" (67)	2" (51)	6" (152)	17-3/4" (451)	1-3/8" (32)	36.0
	COLB-6CG	2"	10" (254)	4-13/16" (122)	3-1/8" (79)	2-9/16" (65)	8-1/16" (205)	8-5/32" (207)	1-5/8" (38)	70.0
E M T	TWOLB-7CG	2-1/2"	13-15/16" (354)	6-1/8" (156)	4-3/8" (111)	3-11/16" (94)	10-5/8" (270)	11-7/16" (291)	2-1/2" (64)	142.0
	TWOLB-8CG	3"	13-15/16" (354)	6-1/2" (165)	4-3/8" (111)	3-11/16" (94)	10-5/8" (270)	11-7/16" (291)	2-3/16" (54)	173.0
	TWOLB-9CG	3-1/2"	16-7/8" (429)	7-9/16" (192)	5-1/2" (140)	4-7/8" (124)	13-1/8" (333)	13-3/4" (349)	2-1/2" (67)	292.0
	TWOLB-0CG	4"	16-7/8" (429)	7-13/16" (198)	5-1/2" (140)	4-7/8" (124)	13-1/8" (333)	13-3/4" (349)	2-3/4" (70)	324.0

DIMENSIONS



C Type



LB Type



FITTINGS CO & TW SERIES

COMBO AND EMT CONDUIT BODIES



LL Type - COL-1,2,3



LL Type - COL-4,5,6



LR Type - COLR-1,2,3



LR Type - COLR-4,5,6

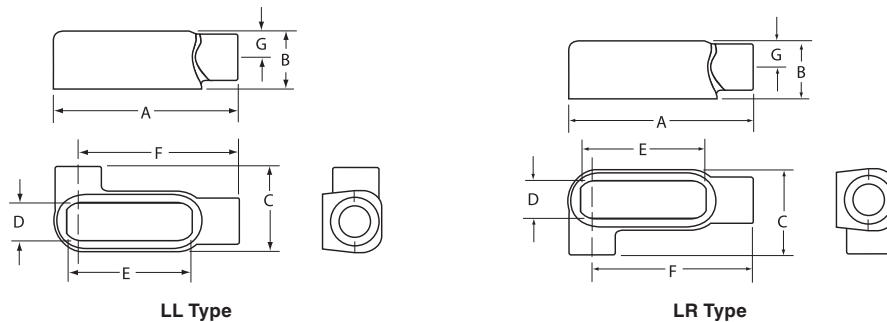
LL TYPE CONDUIT BODY

	CATALOG NUMBER	HUB SIZE	DIMENSIONS							VOLUME CU. IN.
			A	B	C	D	E	F	G	
COMBO	COLL-1CG	1/2"	4-5/8" (117)	1-3/8" (35)	2" (51)	1" (25)	3-5/32" (80)	—	5/8" (16)	4.0
	COLL-2CG	3/4"	5-3/8" (137)	1-5/8" (41)	2-3/16" (56)	1-7/32" (31)	3-25/32" (96)	—	3/4" (19)	7.0
	COLL-3CG	1"	6-1/4" (159)	2" (51)	2-9/16" (65)	1-15/32" (37)	4-17/32" (115)	—	15/16" (24)	12.0
	COLL-4CG	1-1/4"	8-1/8" (206)	2-5/8" (67)	3-1/2" (89)	2" (51)	6" (152)	—	1-3/16" (30)	32.0
	COLL-5CG	1-1/2"	8-1/8" (206)	2-3/4" (70)	3-1/2" (89)	2" (51)	6" (152)	—	1-3/8" (32)	31.0
	COLL-6CG	2"	10-9/16" (268)	3-1/2" (89)	4-3/16" (106)	2-9/16" (65)	8-1/16" (205)	—	1-5/8" (38)	70.0
EMT	TWOLL-7CG	2-1/2"	13-11/16" (348)	4" (102)	5-3/4" (146)	3-11/16" (94)	10-5/8" (270)	—	1-13/16" (46)	142.0
	TWOLL-8CG	3"	13-11/16" (348)	4-3/4" (121)	5-3/4" (146)	3-11/16" (94)	10-5/8" (270)	—	2-3/16" (54)	173.0
	TWOLL-9CG	3-1/2"	16-1/2" (419)	5-1/2" (140)	7-1/8" (181)	4-7/8" (124)	13-1/8" (333)	—	2-1/2" (67)	292.0
	TWOLL-0CG	4"	16-1/2" (419)	5-5/8" (143)	7-1/8" (181)	4-7/8" (124)	13-1/8" (333)	—	2-3/4" (67)	324.0

LR TYPE CONDUIT BODY

	CATALOG NUMBER	HUB SIZE	DIMENSIONS							VOLUME CU. IN.
			A	B	C	D	E	F	G	
COMBO	COLR-1CG	1/2"	4-5/8" (117)	1-3/8" (35)	2" (35)	1" (25)	3-5/32" (80)	4-3/8" (111)	5/8" (16)	4.0
	COLR-2CG	3/4"	5-3/8" (137)	1-5/8" (41)	2-3/16" (67)	1-7/32" (31)	3-25/32" (96)	4-29/32" (125)	3/4" (19)	7.0
	COLR-3CG	1"	6-1/4" (159)	2" (51)	2-9/16" (65)	1-15/32" (37)	4-17/32" (115)	5-23/32" (145)	15/16" (24)	12.0
	COLR-4CG	1-1/4"	8-1/8" (206)	2-5/8" (67)	3-1/2" (89)	2" (51)	6" (152)	6-13/32" (162)	1-3/16" (30)	32.0
	COLR-5CG	1-1/2"	8-1/8" (206)	2-3/4" (70)	3-1/2" (89)	2" (51)	6" (152)	17-3/4" (451)	1-3/8" (32)	31.0
	COLR-6CG	2"	10-9/16" (268)	3-1/2" (89)	4-3/16" (106)	2-9/16" (65)	8-1/16" (205)	9-5/32" (233)	1-5/8" (38)	70.0
EMT	TWOLR-7CG	2-1/2"	13-11/16" (348)	4" (102)	5-3/4" (146)	3-11/16" (93)	10-5/8" (270)	11-7/16" (291)	1-13/16" (54)	142.0
	TWOLR-8CG	3"	13-11/16" (348)	4-3/4" (121)	5-3/4" (146)	3-11/16" (93)	10-5/8" (270)	11-7/16" (291)	2-3/16" (54)	173.0
	TWOLR-9CG	3-1/2"	16-1/2" (419)	5-1/2" (140)	7-1/8" (181)	4-7/8" (124)	13-1/8" (333)	13-3/4" (349)	2-1/2" (67)	292.0
	TWOLR-0CG	4"	16-1/2" (419)	5-5/8" (143)	7-1/8" (181)	4-7/8" (124)	13-1/8" (333)	13-3/4" (349)	2-3/4" (67)	324.0

DIMENSIONS



LL Type

LR Type



COMBO AND EMT CONDUIT BODIES



T Type - COT-1,2,3



T Type - COT-4,5,6



NEOPRENE GASKET



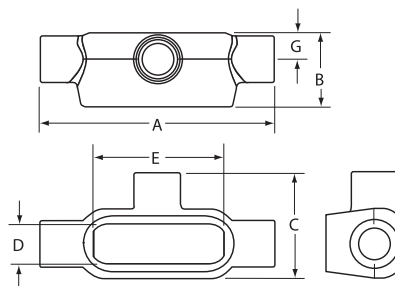
ALUMINUM STAMPED COVER

T TYPE CONDUIT BODY										
	CATALOG NUMBER	HUB SIZE	DIMENSIONS							VOLUME CU. IN.
			A	B	C	D	E	F	G	
COMBO	COT-1CG	1/2"	5-3/8" (137)	1-3/8" (35)	2" (35)	1" (25)	3-5/32" (80)	—	5/8" (16)	4.0
	COT-2CG	3/4"	6-1/16" (154)	1-5/8" (41)	2-3/16" (67)	1-7/32" (31)	3-25/32" (96)	—	3/4" (19)	7.0
	COT-3CG	1"	7-1/8" (181)	2" (51)	2-9/16" (65)	1-15/32" (37)	4-17/32" (115)	—	15/16" (24)	12.0
	COT-4CG	1-1/4"	9-3/16" (233)	2-5/8" (67)	3-1/2" (89)	2" (51)	6" (152)	—	1-3/16" (30)	32.0
	COT-5CG	1-1/2"	9-3/16" (233)	2-3/4" (70)	3-1/2" (89)	2" (51)	6" (152)	—	1-3/8" (32)	33.0
	COT-6CG	2"	11-5/8" (295)	3-1/2" (89)	4-3/16" (106)	2-9/16" (65)	8-1/16" (205)	—	1-5/8" (38)	70.0
EMT	TWOT-7CG	2-1/2"	15-1/8" (384)	4" (102)	5-3/4" (146)	3-11/16" (94)	10-5/8" (270)	—	1-13/16" (54)	142.0
	TWOT-8CG	3"	15-1/8" (384)	4-3/4" (121)	5-3/4" (146)	3-11/16" (94)	10-5/8" (270)	—	2-3/16" (54)	173.0
	TWOT-9CG	3-1/2"	18-1/8" (460)	5-1/2" (140)	7-1/8" (181)	4-7/8" (124)	13-1/8" (333)	—	2-1/2" (67)	292.0
	TWOT-0CG	4"	18-1/8" (460)	5-5/8" (143)	7-1/8" (181)	4-7/8" (124)	13-1/8" (333)	—	2-3/4" (67)	324.0

NEOPRENE REPLACEMENT GASKETS	
CATALOG NUMBER	HUB SIZE
OLK-1RG	1/2"
OLK-2RG	3/4"
OLK-3RG	1"
OL-45-RG	1-1/4"
OL-45-RG	1-1/2"
OL-6-RG	2"
OL-78-RG	2-1/2"
OL-78-RG	3"
OL-90-RG	3-1/2"
OL-90-RG	4"

ALUMINUM REPLACEMENT COVERS				
CATALOG NUMBER	HUB SIZE	DIMENSIONS		
		LENGTH	WIDTH	HEIGHT
OL-10	1/2"	3-15/16"(100)	1-3/8"(35)	3/8"(10)
OL-20	3/4"	4-5/8"(117)	1-5/8"(41)	3/8"(10)
OL-30	1"	5-3/8"(137)	1-7/8"(48)	5/8"(16)
OL-450	1-1/4"	7-3/16"(183)	2-5/8"(67)	5/8"(16)
OL-450	1-1/2"	7-3/16"(183)	2-5/8"(67)	5/8"(16)
OL-60	2"	9-1/2"(241)	3-1/8"(79)	5/8"(16)
OL-780	2-1/2"	12-1/4"(311)	4-3/8"(111)	5/8"(16)
OL-780	3"	12-1/4"(311)	4-3/8"(111)	5/8"(16)
OL-900	3-1/2"	14-7/8"(378)	5-1/2"(140)	5/8"(16)
OL-900	4"	14-7/8"(378)	5-1/2"(140)	5/8"(16)

DIMENSIONS



T Type



KD ORDINARY DRAIN



UL E22698

FEATURES-SPECIFICATIONS

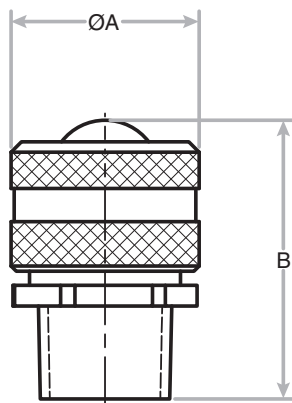
Features

- Killark's KD series ordinary location drains are used to help alleviate condensation built up in conduit systems. Its stainless steel screen allows for some degree of ventilation to prevent moisture from accumulating.

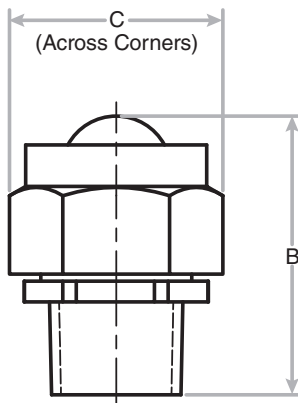
Materials

- **BODY – NUT:** Steel or copper free aluminum
- **SCREEN:** Stainless steel

ENTRY SIZE	CATALOG NUMBER	
	ZINC PLATED STEEL	ALUMINUM
1/2"	KD1	KD1SA
3/4"	KD2	KD2SA



Aluminum



Steel

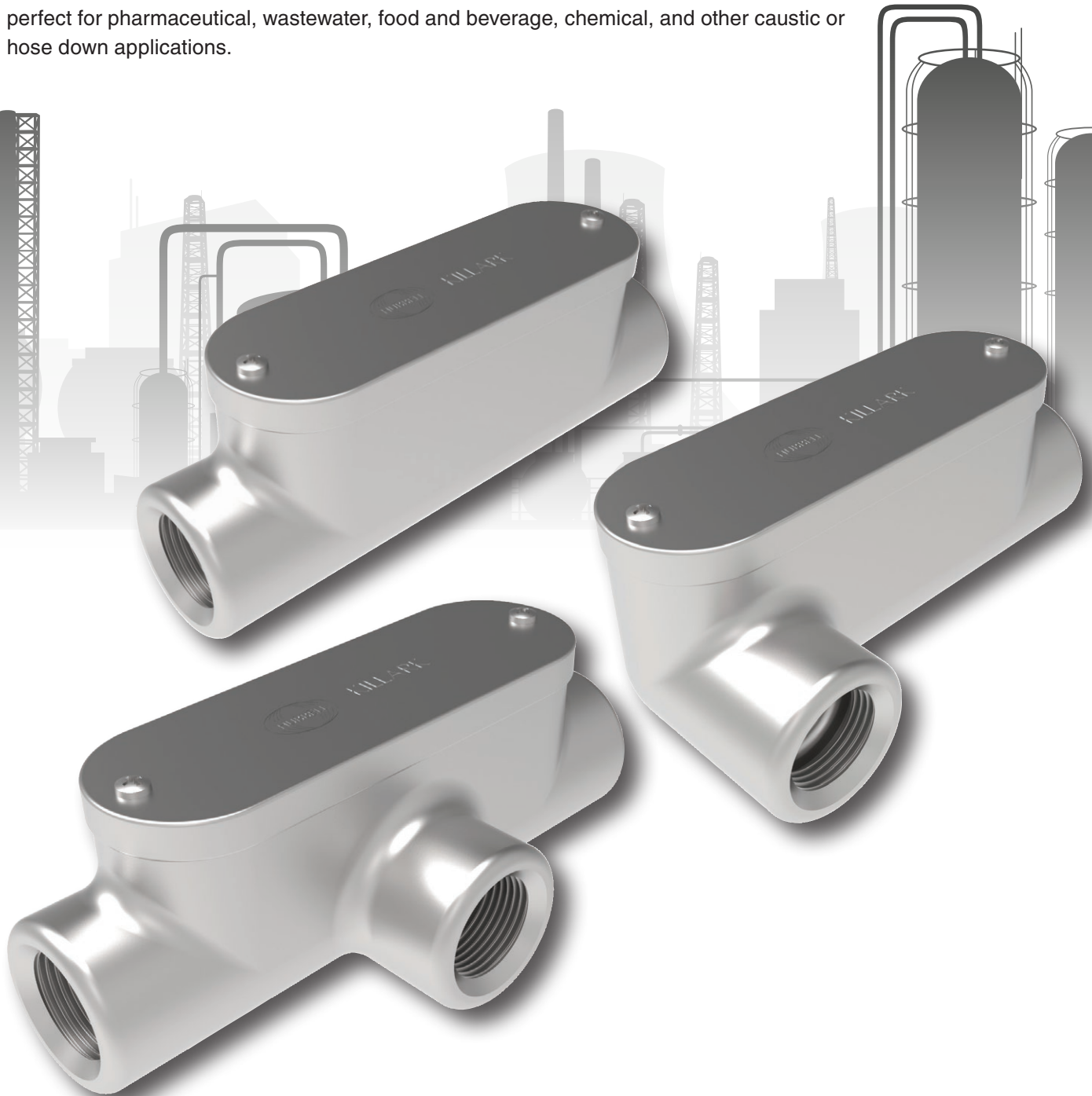


	A	B	C	D	NPT
KD1SA	1.13	1.7	N/A	N/A	1/2"
KD2SA	1.13	1.7	N/A	N/A	3/4"
KD1	N/A	1.7	1.29	1.11	1/2"
KD2	N/A	1.7	1.29	1.11	3/4"



WHY STAINLESS?

Stainless steel has become the metal of choice for superior corrosion resistant conduit systems. Its high strength, heat resistance, and long-lasting life makes it ideal for even the harshest applications. One of the most unique aspect of stainless is its ability to self-heal; When scratched, chromium inside the steel, along with oxygen, will act as a healing agent adding an additional layer of corrosion protection. Stainless steel is perfect for pharmaceutical, wastewater, food and beverage, chemical, and other caustic or hose down applications.





LB



LR



LL



T



TB



C

UL514B & UL514A compliant
Suitable for use in Class 1 Div. 2 applications when installed in accordance to NEC Article 501.10 Type 4X rated with cover and gasket

 E3397

 E22699

FEATURES-SPECIFICATIONS

Features

- Flat back design provides greater cubic capacity for easier wire pulling and more room for splicing
- Cover and gasket comes standard for Type 4X ratings
- Allows bends in conduit systems
- Cost will recoup overtime due to little to no replacement over the life of the system

Materials

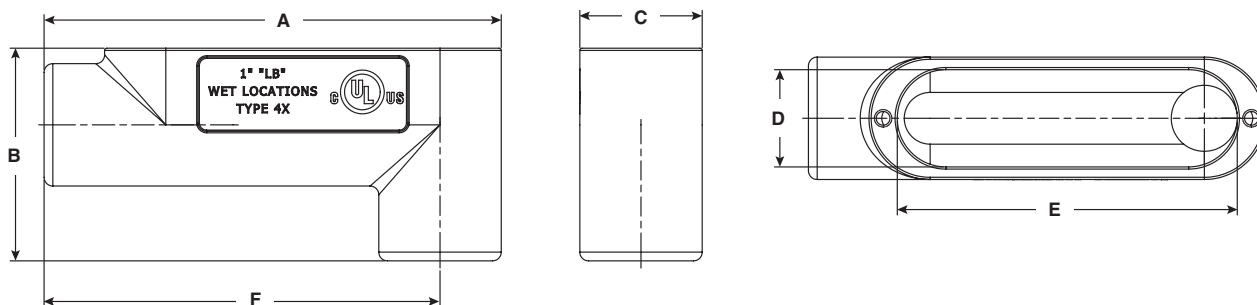
- Body/Cover/Screws - 316 stainless steel
- Gasket – Neoprene
- Natural Finish

STAINLESS STEEL CONDUIT BODIES



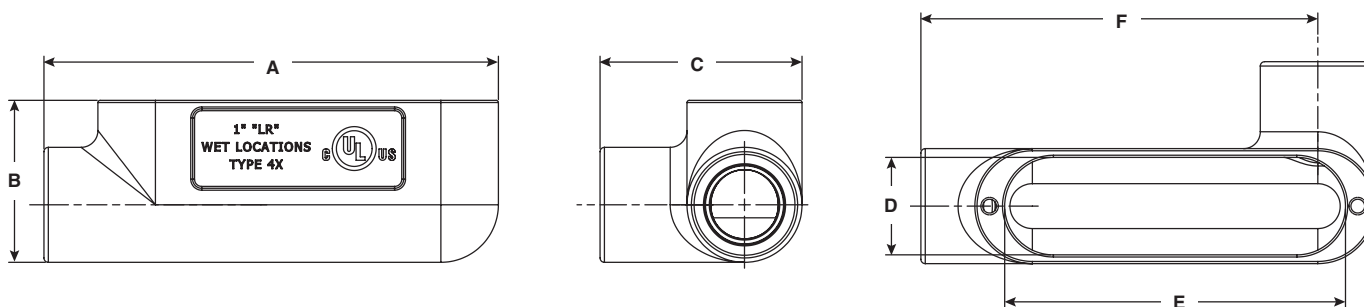
LB CONDUIT TYPE

CATALOG NUMBER	HUB SIZE	DIMENSIONS						VOLUME	MAX CONDUCTOR FILL
		A	B	C	D	E	F		
LB28SS	3/4"	5.5	2.9	1.5	1.14	3.88	4.75	6.7 IN3	6 AWG MAX 4
LB38SS	1"	6.48	3.04	1.75	1.39	4.86	5.66	11.0 IN3	6 AWG MAX 4
LB58SS	1-1/2"	7.34	3.32	2.44	1.94	3.82	6.28	24.3 IN3	6 AWG MAX 4
LB68SS	2"	8.42	3.86	2.99	2.49	6.8	6.98	44.8 IN3	6 AWG MAX 4



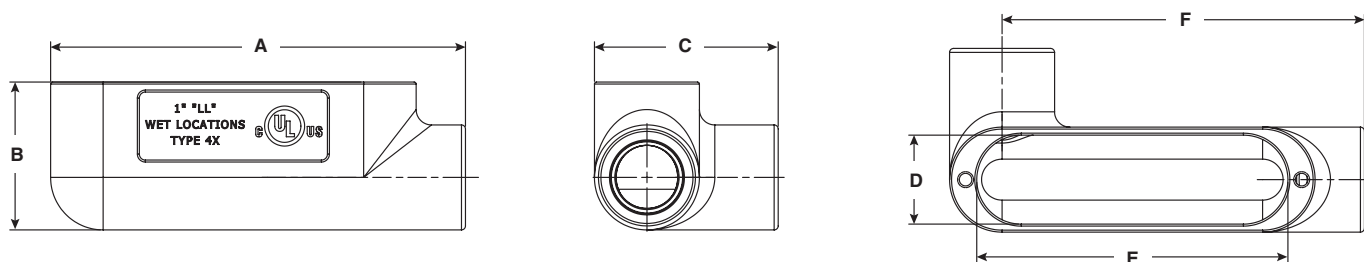
LR CONDUIT TYPE

CATALOG NUMBER	HUB SIZE	DIMENSIONS						VOLUME	MAX CONDUCTOR FILL
		A	B	C	D	E	F		
LR28SS	3/4"	5.5	2.17	2.49	1.14	3.88	4.75	6.7 IN3	6 AWG MAX 4
LR38SS	1"	6.48	2.31	2.88	1.39	4.86	5.66	11.0 IN3	4 AWG MAX 3
LR58SS	1-1/2"	7.44	2.59	3.56	1.94	5.82	6.28	24.3 IN3	2 AWG MAX 3
LR68SS	2"	8.42	3.13	4.08	2.49	6.8	6.98	44.8 IN3	1 AWG MAX 3



LL CONDUIT TYPE

CATALOG NUMBER	HUB SIZE	DIMENSIONS						VOLUME	MAX CONDUCTOR FILL
		A	B	C	D	E	F		
LL28SS	3/4"	5.5	2.17	2.48	1.14	3.38	4.75	6.7 IN3	6 AWG MAX 4
LL38SS	1"	6.48	2.31	2.87	1.39	4.86	5.66	11.0 IN3	4 AWG MAX 3
LL58SS	1-1/2"	7.44	2.59	3.55	1.94	5.82	6.28	24.3 IN3	2 AWG MAX 3
LL68SS	2"	8.42	3.13	4.07	2.49	6.8	6.98	44.8 IN3	1 AWG MAX 3

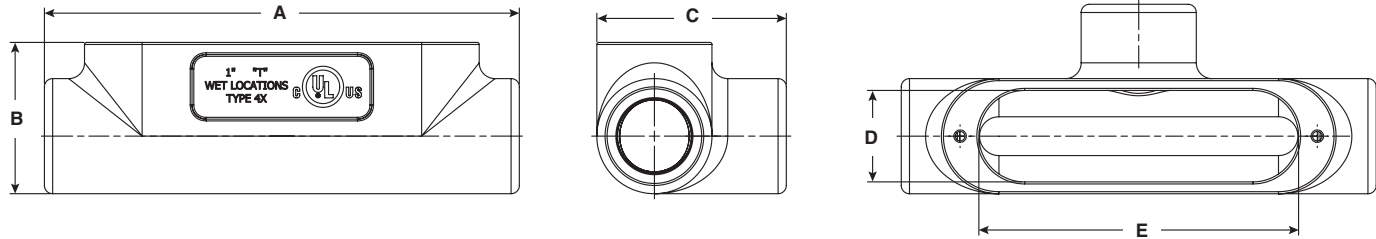




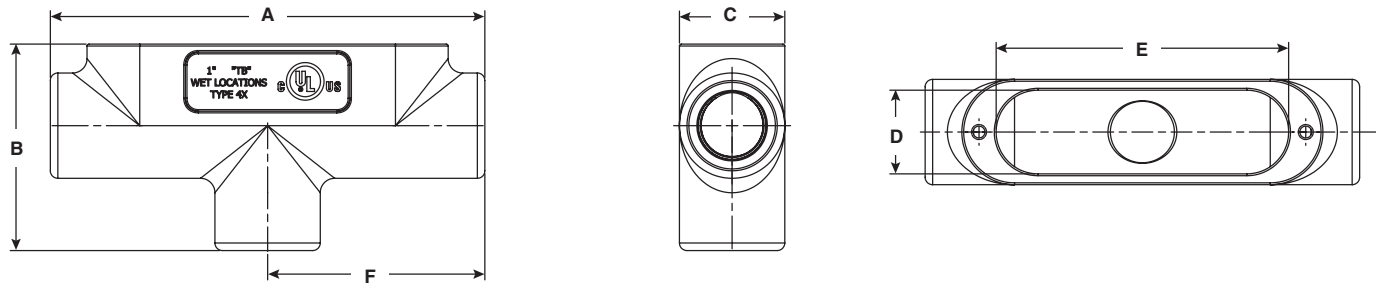
FITTINGS

STAINLESS STEEL CONDUIT BODIES

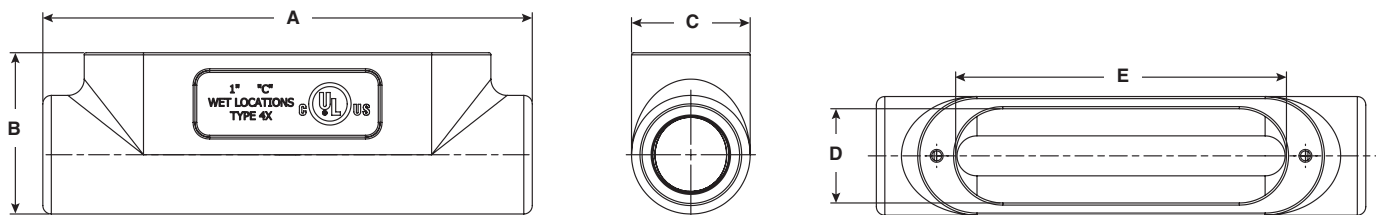
T CONDUIT TYPE									
CATALOG NUMBER	HUB SIZE	DIMENSIONS						VOLUME	MAX CONDUCTOR FILL
		A	B	C	D	E	F		
T28SS	3/4"	6.23	2.03	2.49	1.14	3.88	—	6.7 IN3	6 AWG MAX 4
T38SS	1"	7.22	2.3	2.88	1.39	4.86	—	11.0 IN3	6 AWG MAX 4
T58SS	1-1/2"	8.18	2.58	3.56	1.94	5.82	—	24.3 IN3	6 AWG MAX 4
T68SS	2"	9.16	3.12	4.08	2.49	6.8	—	44.8 IN3	6 AWG MAX 4



TB CONDUIT TYPE									
CATALOG NUMBER	HUB SIZE	DIMENSIONS						VOLUME	MAX CONDUCTOR FILL
		A	B	C	D	E	F		
TB28SS	3/4"	6.23	2.9	1.5	1.14	3.88	3.12	6.7 IN3	6 AWG MAX 4
TB38SS	1"	7.22	3.43	1.75	1.39	4.86	3.61	11.0 IN3	6 AWG MAX 3
TB58SS	1-1/2"	8.18	3.72	2.44	1.94	5.82	4.09	24.3 IN3	6 AWG MAX 3
TB68SS	2"	9.16	4.21	2.99	2.49	6.8	4.58	44.8 IN3	6 AWG MAX 3



C CONDUIT TYPE									
CATALOG NUMBER	HUB SIZE	DIMENSIONS						VOLUME	MAX CONDUCTOR FILL
		A	B	C	D	E	F		
C28SS	3/4"	6.23	2.17	1.5	1.14	3.89	—	6.7 IN3	6 AWG MAX 4
C38SS	1"	7.22	2.38	1.75	1.39	4.88	—	11.0 IN3	4 AWG MAX 3
C58SS	1-1/2"	8.18	2.59	2.44	1.94	5.82	—	24.3 IN3	2 AWG MAX 3
C68SS	2"	9.16	3.13	2.99	2.49	6.8	—	44.8 IN3	1 AWG MAX 3



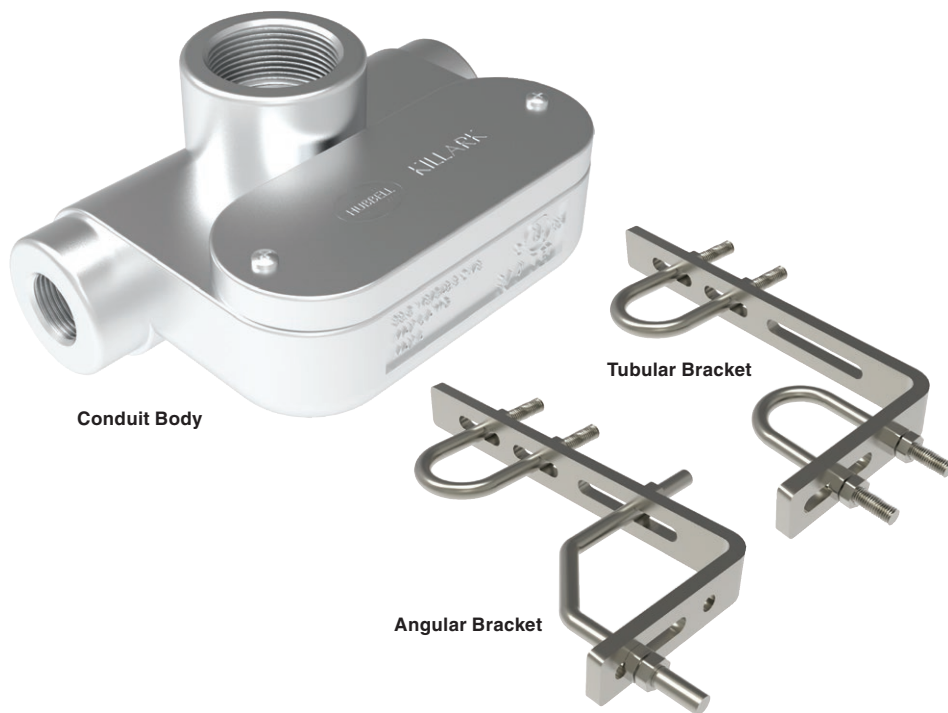


Killark's unique Top Entry T or "TET" fitting offers a safe way to install an electrical conduit body with unimpeded access for future maintenance or expansion projects for gantry and elevated industrial walkways. This patented design allows the access point to remain unblocked for the life of the electrical run and even allows for conductor pull for unrelated product, like light fixtures. The TET fitting is future proof and is the safest means for your electrical system.





FITTINGS TET SERIES



UL514B & UL514A compliant

Suitable for use in Class 1 Div. 2 applications when installed in accordance to NEC Article 501.10 Type 4X rated with cover and gasket

 E3397

 E22699

FEATURES-SPECIFICATIONS

TET CONDUIT BODY

Features/Benefits

- Safer to Install for future access during maintenance
- Unimpeded access to the wiring chamber for splicing and pulling conductors
- Pull through for non-related products
- Future Proof – unable to block during expansion projects
- Type 4X rated
- Includes stainless steel cover and neoprene gasket
- Available with 3/4" side hubs – no need for a reducer

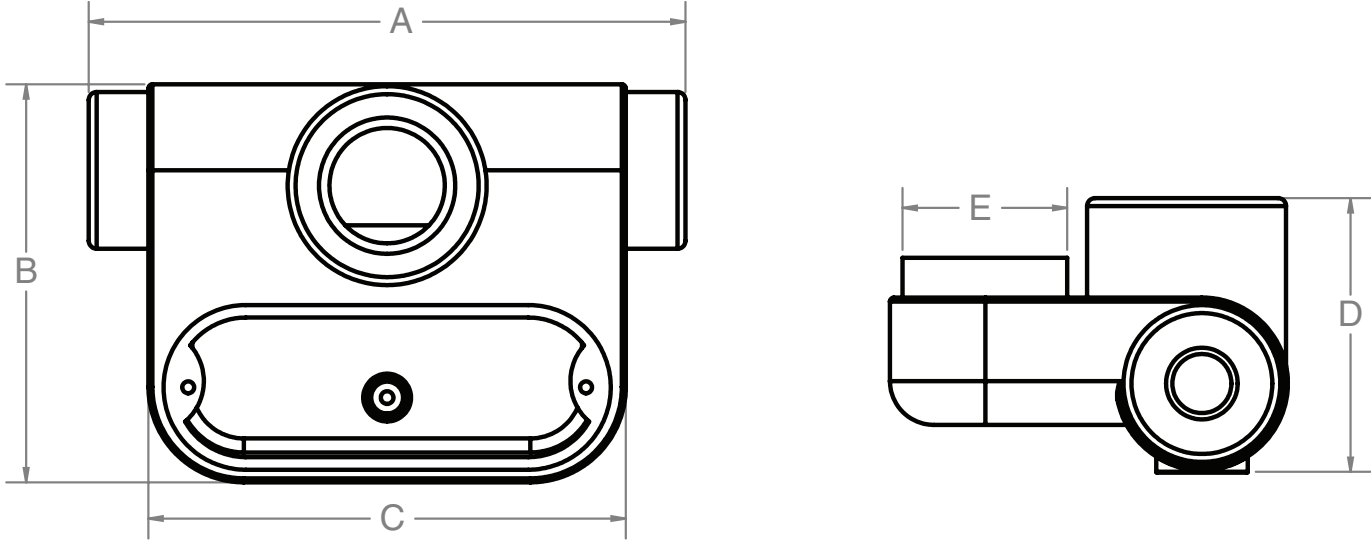
Materials/Finish

- Body – Aluminum or stainless steel
- Cover/Screws - 316 stainless steel
- Gasket – Neoprene
- Natural - Finish

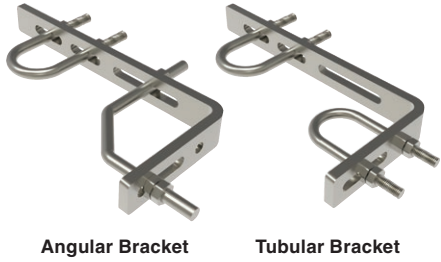
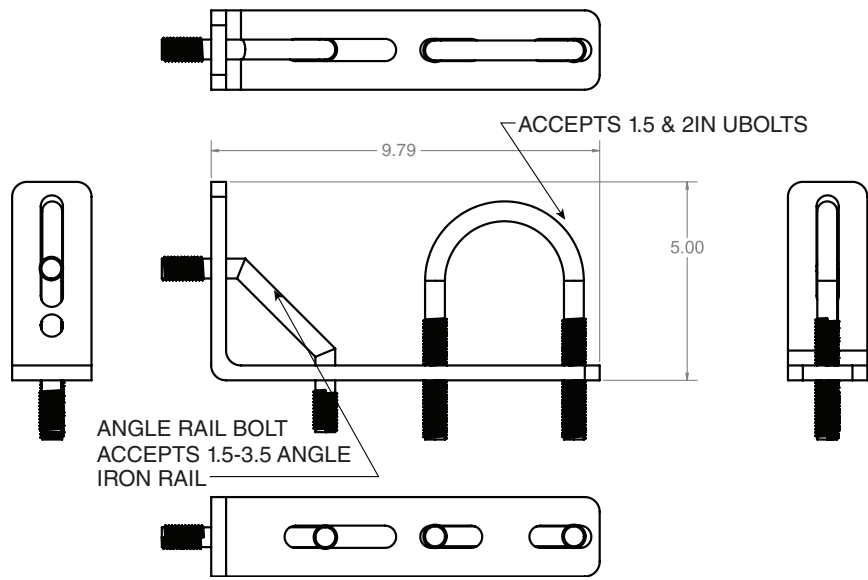
MOUNTING BRACKETS

Features

- For Tubular and Angle Stanchion Mounting of Light Poles and Instruments for Stair and Walkway Rails
- High Vibration Installation
- Includes bolts, nuts, and washers



TET CONDUIT BODY										
CATALOG NUMBER	HUB SIZE		FINISH	ACCESSORIES	A	B	C	D	E	VOLUME
	TOP	SIDES								
TET15075A	1-1/2"	3/4"	Aluminum	N/A	7.5	5	6	3.44	2.07	33.5 in3 (548.8 cm3)
TET15075AD	1-1/2"	3/4"	Aluminum	Drain	7.5	5	6	3.44	2.07	33.5 in3 (548.8 cm3)
TET15075ABD	1-1/2"	3/4"	Aluminum	Drain/Breather	7.5	5	6	3.44	2.07	33.5 in3 (548.8 cm3)
TET15075SS	1-1/2"	3/4"	Stainless Steel	N/A	7.5	5	6	3.44	2.07	33.5 in3 (548.8 cm3)
TET150150SS	1-1/2"	1-1/2"	Stainless Steel	N/A	7.5	5	6	3.44	2.07	33.5 in3 (548.8 cm3)
TET100100SS	1"	1"	Stainless Steel	N/A	7.5	5	6	3.44	2.07	33.5 in3 (548.8 cm3)
TET07575SS	3/4"	3/4"	Stainless Steel	N/A	7.5	5	6	3.44	2.07	33.5 in3 (548.8 cm3)

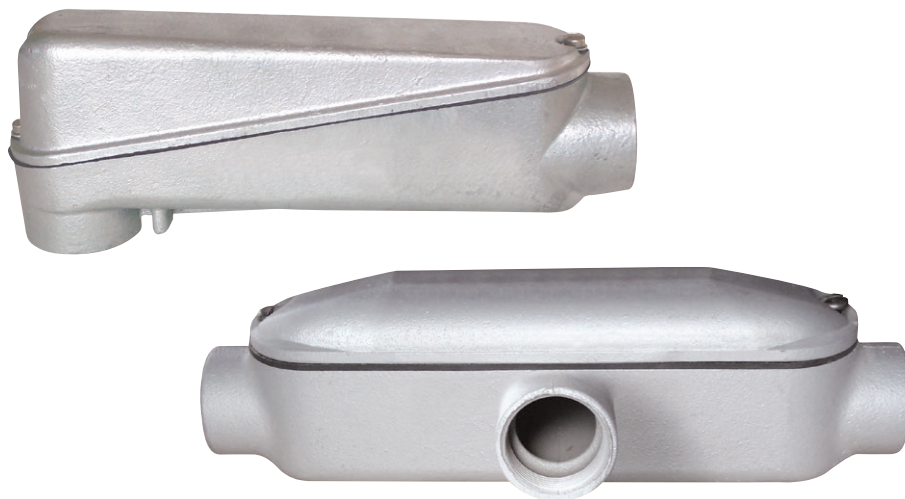


MOUNTING BRACKETS		
CATALOG NUMBER	FINISH	TYPE OF BRACKET
MHK-RTG	Steel	Tubular (rounded)
MHK-RAG	Steel	Angular
MHK-RTS	Stainless Steel	Tubular (rounded)
MHK-RAS	Stainless Steel	Angular



FITTINGS MO SERIES

IRON AND ALUMINUM MOGUL CONDUIT BODIES



Suitable for wet locations when used with gasketed covers.

Federal Specification W-C-586D / A-A 50563.

Suitable for use in hazardous location applications when installed according to NEC Articles 501.10(b), Class I, Div. 2, (Suitable for use in Class I Zone 2 applications) 502.10, and 503.10.



FEATURES-SPECIFICATIONS

Features

- A raised dome cover permits additional wiring room
- Furnished with captive stainless steel screws and gasket
- LBD, C, and UB Series available with built-in cable-pulling rollers on sizes 1-1/2" and larger. Add -WR to catalog number. Example MOLBD-5-WR.

Materials

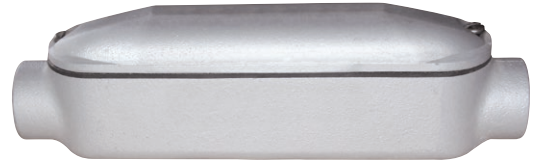
- Cast iron moguls are hot dipped galvanized
- Aluminum moguls are of copper-free aluminum (less than 1/10 of 1%) with electrostatically applied powder coating



IRON AND ALUMINUM MOGUL CONDUIT BODIES



LB TYPE



C TYPE

LB TYPE MOGUL CONDUIT BODY

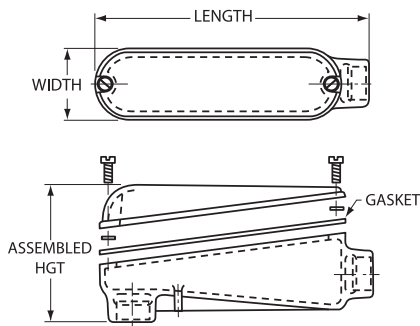
CATALOG NUMBER		HUB SIZE	LENGTH	ASSEMBLED HEIGHT	WIDTH	6X LENGTH
KILLARK ALUM.	KILLARK IRON					
MOLBD-1	MOLBD-1M	1/2"	5" (127)	2-5/16" (59)	1-5/16" (33)	3" (76)
MOLBD-2	MOLBD-2M	3/4"	6-1/4" (159)	2-5/8" (67)	1-9/16" (40)	4-1/2" (114)
MOLBD-3	MOLBD-3M	1"	9-5/8" (244)	3-5/8" (92)	2-1/2" (64)	7-1/2" (191)
MOLBD-4	MOLBD-4M	1-1/4"	9-5/8" (244)	3-5/8" (92)	2-1/2" (64)	7-1/2" (191)
MOLBD-5	MOLBD-5M	1-1/2"	14-7/16" (367)	5-5/8" (143)	3" (76)	12" (305)
MOLBD-6	MOLBD-6M	2"	14-7/16" (367)	5-5/8" (143)	3" (76)	12" (305)
MOLBD-7	MOLBD-7M	2-1/2"	22" (559)	7-1/2" (191)	4-1/2" (114)	18" (457)
MOLBD-8	MOLBD-8M	3"	22" (559)	7-1/2" (191)	4-1/2" (114)	18" (457)
MOLBD-9	MOLBD-9M	3-1/2"	28-1/2" (724)	9-1/4" (235)	5-1/2" (140)	24" (610)
MOLBD-0	MOLBD-0M	4"	28-1/2" (724)	9-1/4" (235)	5-1/2" (140)	24" (610)

NOTE - For built-in cable rollers (on sizes 1-1/2" and larger), add -WR to catalog number. Example: MOLBD-5WR.

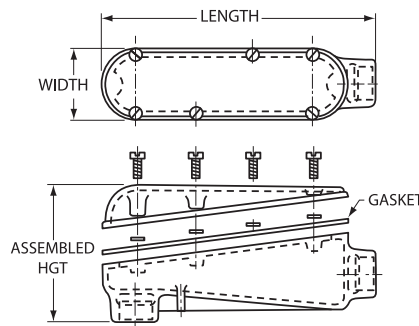
C TYPE MOGUL CONDUIT BODY

CATALOG NUMBER		HUB SIZE	LENGTH	ASSEMBLED HEIGHT	WIDTH	8X LENGTH
KILLARK ALUM.	KILLARK IRON					
MOC-3	MOC-3M	1"	12" (305)	3" (76)	2-5/8" (67)	10" (254)
MOC-4	MOC-4M	1-1/4"	12-1/16" (306)	3-5/16" (84)	2-5/8" (67)	10" (254)
MOC-5	MOC-5M	1-1/2"	18-1/8" (460)	3-7/8" (98)	3-3/16" (81)	16" (406)
MOC-6	MOC-6M	2"	18-1/16" (459)	4-7/16" (113)	3-3/16" (81)	16" (406)
MOC-7	MOC-7M	2-1/2"	27-1/8" (689)	5-3/16" (132)	4-11/16" (119)	24" (610)
MOC-8	MOC-8M	3"	27-1/4" (692)	5-15/16" (151)	4-11/16" (119)	24" (610)
MOC-9	MOC-9M	3-1/2"	35-3/8" (899)	7-3/16" (183)	5-11/16" (144)	32" (813)
MOC-0	MOC-0M	4"	35-7/16" (900)	7-9/16" (192)	5-11/16" (144)	32" (813)

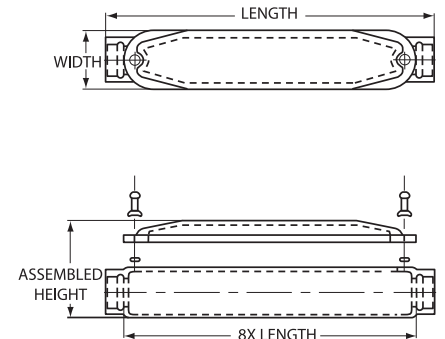
NOTE - For built-in cable rollers (on sizes 1-1/2" and larger), add -WR to catalog number. Example: MOLBD-5WR.



LB Sizes 1" thru 2"



LB Sizes 2-1/2" thru 4"



C Sizes



FITTINGS MO SERIES

IRON AND ALUMINUM MOGUL CONDUIT BODIES



T TYPE



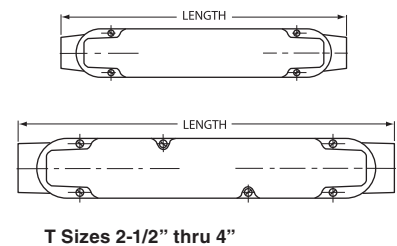
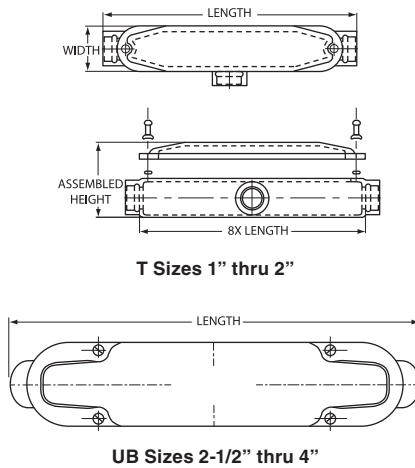
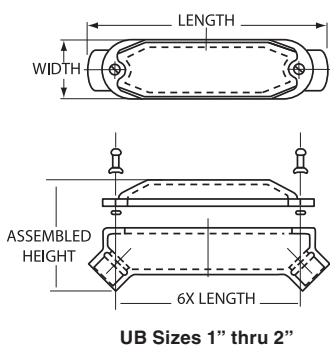
UB TYPE

T TYPE						
CATALOG NUMBER		HUB SIZE	LENGTH	ASSEMBLED HEIGHT	WIDTH	8X LENGTH
KILLARK ALUM.	KILLARK IRON					
MOT-3	MOT-3M	1"	12" (305)	3" (76)	2-5/8" (67)	10" (254)
MOT-4	MOT-4M	1-1/4"	12-1/16" (306)	3-5/16" (84)	2-5/8" (67)	10" (254)
MOT-5	MOT-5M	1-1/2"	18-1/8" (460)	3-7/8" (98)	3-3/16" (81)	16" (406)
MOT-6	MOT-6M	2"	18-1/16" (459)	4-7/16" (113)	3-3/16" (81)	16" (406)
MOT-7	MOT-7M	2-1/2"	27-1/8" (689)	5-3/16" (132)	4-11/16" (119)	24" (610)
MOT-8	MOT-8M	3"	27-1/4" (692)	5-15/16" (151)	4-11/16" (119)	24" (610)
MOT-9	MOT-9M	3-1/2"	35-3/8" (899)	7-3/16" (183)	5-11/16" (144)	32" (813)
MOT-0	MOT-0M	4"	35-7/16" (900)	7-9/16" (192)	5-11/16" (144)	32" (813)

UB TYPE						
CATALOG NUMBER		HUB SIZE	LENGTH	ASSEMBLED HEIGHT	WIDTH	6X LENGTH
KILLARK ALUM.	KILLARK IRON					
MOUB-3	MOUB-3M	1"	10-7/16" (265)	3-7/8" (98)	2-5/8" (67)	7-1/2" (191)
MOUB-4	MOUB-4M	1-1/4"	10-7/16" (265)	4-3/16" (106)	2-5/8" (67)	7-1/2" (191)
MOUB-5	MOUB-5M	1-1/2"	15-9/16" (395)	5-1/8" (130)	3-3/16" (81)	12" (305)
MOUB-6	MOUB-6M	2"	15-9/16" (395)	5-3/4" (146)	3-3/16" (81)	12" (305)
MOUB-7	MOUB-7M	2-1/2"	23-1/16" (586)	8-1/2" (216)	4-11/16" (119)	18" (457)
MOUB-8	MOUB-8M	3"	23-5/16" (668)	8-1/2" (216)	4-11/16" (119)	18" (457)
MOUB-9	MOUB-9M	3-1/2"	30" (762)	10-3/8" (264)	5-11/16" (144)	24" (610)
MOUB-0	MOUB-0M	4"	30" (762)	10-3/8" (264)	5-11/16" (144)	24" (610)

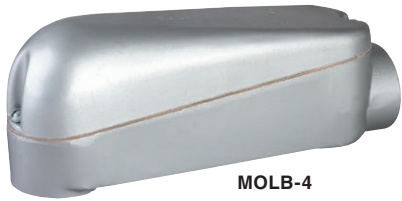
NOTE - For built-in cable rollers (on sizes 1-1/2" and larger), add -WR to catalog number. Example: MOLBD-5WR.

DIMENSIONS





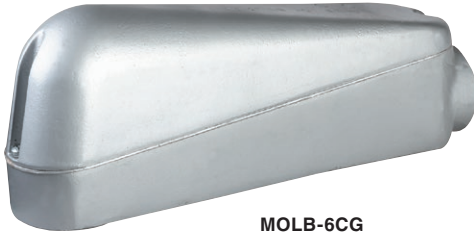
MOGUL CONDUIT BODIES



MOLB-4



MOLB-5 thru 0



MOLB-6CG



MLB-12

Suitable for wet locations when used with gasketed covers.
 Federal Specification W-C-586D / A-A 50563.
 Suitable for use in hazardous location applications when installed according to NEC Articles 501.10(b), Class I, Div. 2, (Suitable for use in Class I Zone 2 applications) 502.10, and 503.10.



FEATURES-SPECIFICATIONS

Features

- A raised dome cover provides additional wiring room
- Furnished with cover and gasket

Materials

Copper-free Aluminum
 (less than 1/10 of 1%)

- Electrostatically applied powder coating



FITTINGS
MOL SERIES

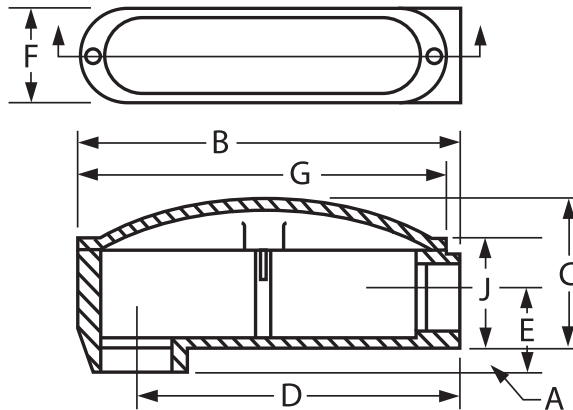
MOGUL CONDUIT BODIES

MOL CONDUIT BODIES									
CATALOG NUMBER	CONDUIT SIZE	DIMENSIONS							
		A	B	C	D	E	F	G	J
MOLB-4*	1-1/4"	5/16" (8)	9-3/4" (248)	2-3/4" (70)	8-1/2" (445)	1" (25)	2-3/8" (60)	9-1/8" (232)	2-3/4" (70)
MOLB-5	1-1/2"	1-5/16" (33)	13-3/16" (335)	4-3/4" (121)	11-1/2" (292)	2-3/8" (60)	3-1/8" (79)	12-7/8" (327)	3-3/8" (86)
MOLB-6	2"	1-1/16" (27)	13-3/16" (335)	4-1/4" (108)	11-1/2" (292)	2-1/2" (64)	3-1/8" (79)	12-7/8" (327)	3-3/8" (86)
MOLB-6CG*	2"	1/16" (2)	14-1/2" (368)	5-3/4" (146)	13" (330)	1-3/8" (35)	3" (76)	14-1/8" (359)	3-5/16" (84)
MOLB-7	2-1/2"	1-13/16" (46)	22-5/8" (575)	6-1/4" (159)	20" (508)	3-15/16" (100)	4-7/16" (113)	21-13/16" (554)	4-7/16" (113)
MOLB-8	3"	1-13/16" (46)	22-5/8" (575)	6-1/4" (169)	20" (508)	3-15/16" (100)	4-7/16" (113)	21-13/16" (554)	4-7/16" (113)
MOLB-9	3-1/2"	1-9/16" (40)	28-11/16" (729)	7-7/8" (200)	25-9/16" (649)	4-3/16" (106)	5-1/2" (140)	28-5/16" (719)	5-1/2" (140)
MOLB-0	4"	1-9/16" (40)	28-11/16" (729)	7-7/8" (200)	25-7/16" (646)	4-3/16" (106)	5-1/2" (140)	28-5/16" (719)	5-1/2" (140)

*Split cover design

MOL BLANK REPLACEMENT COVERS AND GASKETS	
CATALOG NUMBER	BODY STYLE
MOL-560	1-1/2" & 2"
MOL-780	2-1/2" & 3"
MOL-900	3-1/2" & 4"

DIMENSIONS





NECLB-6

Suitable for wet locations when used with gasketed covers.

Federal Specification W-C-586D / A-A 50563.

Suitable for use in hazardous location applications when installed according to NEC Articles 501.10(b), Class I, Div. 2, (Suitable for use in Class I Zone 2 applications) 502-.10 and 503.10.



FEATURES-SPECIFICATIONS

Features

- Large cover opening (length of opening exceeds six times the trade diameter of the hub size) for easy access to conductors. Cover and gasket included
- A pull box with easy access to conductors
- A chamber with a large opening for easy access to perform changes in the conduit system
- Includes cover and gasket

Materials

Copper-free Aluminum
(less than $\frac{1}{10}$ of 1%)

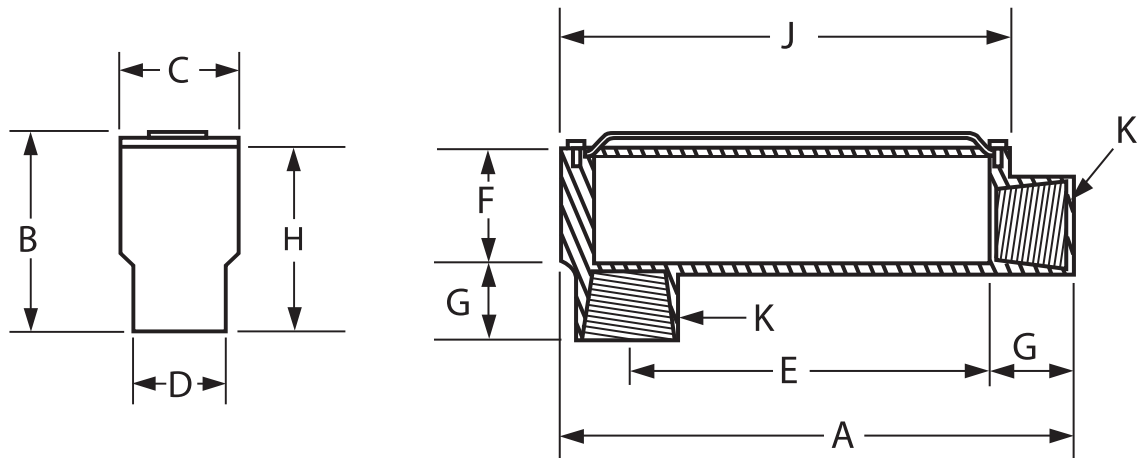
- Electrostatically applied powder coating



40% FILL CONDUIT BODIES

NECLB CONDUIT BODIES												
CATALOG NUMBER	REPLACEMENT COVER AND GASKET	HUB SIZE	A	B	C	D	E	F	G	H	J	K
NECLB-3	NECLB-30	1"	8-1/8"	3-7/16"	2"	11-9/32"	6"	2"	1-1/8"	3-1/8"	7"	1 NPT
NECLB-4	NECLB-40	1-1/4"	9-7/8"	4-1/16"	2-3/8"	11-5/16"	7-1/2"	2-1/2"	1-3/16"	3-11/16"	8-5/8"	1-1/4 NPT
NECLB-5	NECLB-50	1-1/2"	11-17/32"	5-1/16"	2-3/4"	2-3/16"	9"	3-1/2"	1-3/16"	4-11/16"	10-5/8"	1-1/2 NPT
NECLB-6	NECLB-60	2"	14-25/32"	6-3/16"	3"	2-11/16"	12"	4"	1-3/16"	5-3/16"	13-11/16"	2 NPT

DIMENSIONS







FITTINGS E SERIES

ALUMINUM - CONDUIT BODIES

UL E195978 - Standard 514B
SP 2380786 - C22.2 #18

FEATURES-SPECIFICATIONS

Features

- Flat back design for easy mounting close to walls
- Cast of high strength, corrosion and weather resistant aluminum alloy with painted finish

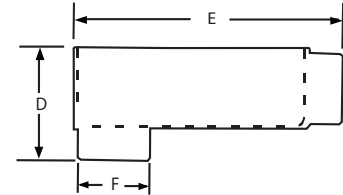
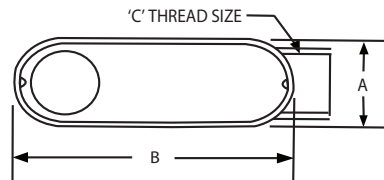
Material

- May be used on aluminum or steel conduit
- Lightweight, makes installation simple
- Ideal for commercial and light industrial applications
- High grade die cast aluminum



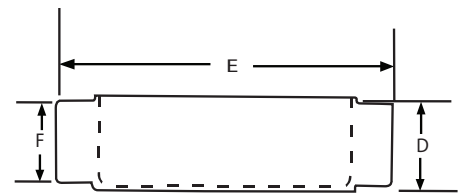
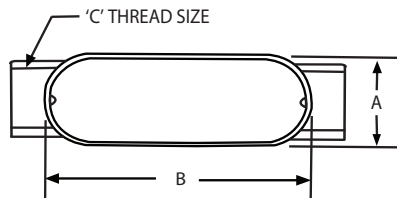
Type LB

TYPE LB							
CATALOG NUMBER	CONDUIT SIZE	DIMENSIONS					
		A	B	C	D	E	F
EALB-1	1/2"	1-5/16"	3-7/8"	1/2"	2-1/8"	4-3/8"	1-1/16"
EALB-2	3/4"	1-1/2"	4-5/8"	3/4"	2-7/16"	5-1/8"	1-11/32"
EALB-3	1"	1-3/4"	5-3/8"	1"	2-13/16"	5-15/16"	1-21/32"
EALB-4	1-1/4"	2-1/2"	6-5/8"	1-1/4"	3-3/4"	6-7/8"	2-1/4"
EALB-5	1-1/2"	2-1/2"	6-5/8"	1-1/2"	3-3/4"	6-7/8"	2-1/4"
EALB-6	2"	3-1/8"	8-1/2"	2"	4-1/8"	9-7/32"	2-15/16"
EALB-7	2-1/2"	4-9/16"	12-1/4"	2-1/2"	5-13/16"	13-1/8"	3-7/16"
EALB-8	3"	4-9/16"	12-1/4"	3"	5-13/16"	13-1/8"	4-7/64"
EALB-9	3-1/2"	5-7/16"	14-7/8"	3-1/2"	7-1/4"	15-3/8"	5-9/64"
EALB-10	4"	5-7/16"	14-7/8"	4"	7-1/4"	15-3/8"	5-9/64"



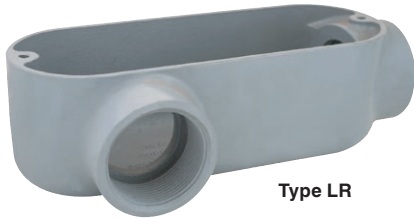
Type C

TYPE C							
CATALOG NUMBER	CONDUIT SIZE	DIMENSIONS					
		A	B	C	D	E	F
EAC-1	1/2"	1-5/16"	3-7/8"	1/2"	1-7/16"	4-29/32"	1-1/16"
EAC-2	3/4"	1-1/2"	4-5/8"	3/4"	1-11/16"	5-1/2"	1-11/32"
EAC-3	1"	1-3/4"	5-3/8"	1"	1-15/16"	6-7/16"	1-21/32"
EAC-4	1-1/4"	2-1/2"	6-5/8"	1-1/4"	2-7/8"	8-7/16"	2-1/4"
EAC-5	1-1/2"	2-1/2"	6-5/8"	1-1/2"	2-7/8"	8-7/16"	2-1/4"
EAC-6	2"	3-1/8"	8-1/2"	2"	3-7/16"	10-3/4"	2-15/16"
EAC-7	2-1/2"	4-9/16"	12-1/4"	2-1/2"	4"	14"	3-7/16"
EAC-8	3"	4-9/16"	12-1/4"	3"	4-3/4"	13-1/2"	4-7/64"
EAC-9	3-1/2"	5-7/16"	14-7/8"	3-1/2"	5-1/2"	15-29/32"	5-9/64"
EAC-10	4"	5-7/16"	14-7/8"	4"	5-1/2"	15-29/32"	5-9/64"



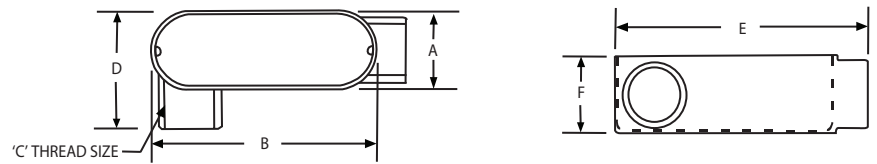


ALUMINUM - CONDUIT BODIES



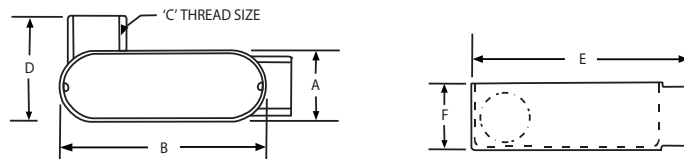
Type LR

TYPE LR							
CATALOG NUMBER	CONDUIT SIZE	DIMENSIONS					
		A	B	C	D	E	F
EALR-1	1/2"	1-5/16"	3-7/8"	1/2"	2-3/64"	4-3/8"	1-7/16"
EALR-2	3/4"	1-1/2"	4-5/8"	3/4"	2-5/16"	5-1/8"	1-11/16"
EALR-3	1"	1-3/4"	5-3/8"	1"	2-21/32"	5-15/16"	1-15/16"
EALR-4	1-1/4"	2-1/2"	6-5/8"	1-1/4"	3-15/32"	6-7/8"	2-7/8"
EALR-5	1-1/2"	2-1/2"	6-5/8"	1-1/2"	3-15/32"	6-7/8"	2-7/8"
EALR-6	2"	3-1/8"	8-1/2"	2"	3-7/8"	9-7/32"	3-7/16"
EALR-7	2-1/2"	4-9/16"	12-1/4"	2-1/2"	6"	13-1/8"	4"
EALR-8	3"	4-9/16"	12-1/4"	3"	6"	13-1/8"	4-3/4"
EALR-9	3-1/2"	5-7/16"	14-7/8"	3-1/2"	6-1/4"	15-3/8"	5-1/2"
EALR-10	4"	5-7/16"	14-7/8"	4"	6-1/4"	15-3/8"	5-1/2"



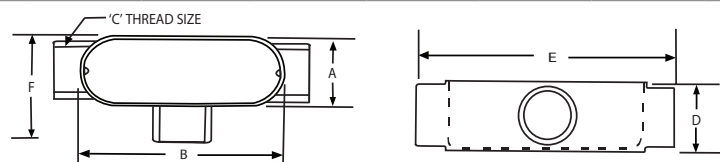
Type LL

TYPE LL							
CATALOG NUMBER	CONDUIT SIZE	DIMENSIONS					
		A	B	C	D	E	F
EALL-1	1/2"	1-5/16"	3-7/8"	1/2"	2-3/64"	4-3/8"	1-7/16"
EALL-2	3/4"	1-1/2"	4-5/8"	3/4"	2-5/16"	5-1/8"	1-11/16"
EALL-3	1"	1-3/4"	5-3/8"	1"	2-21/32"	5-15/16"	1-15/16"
EALL-4	1-1/4"	2-1/2"	6-5/8"	1-1/4"	3-15/32"	6-7/8"	2-7/8"
EALL-5	1-1/2"	2-1/2"	6-5/8"	1-1/2"	3-15/32"	6-7/8"	2-7/8"
EALL-6	2"	3-1/8"	8-1/2"	2"	3-7/8"	9-7/32"	3-7/16"
EALL-7	2-1/2"	4-9/16"	12-1/4"	2-1/2"	6"	13-1/8"	4"
EALL-8	3"	4-9/16"	12-1/4"	3"	6"	13-1/8"	4-3/4"
EALL-9	3-1/2"	5-7/16"	14-7/8"	3-1/2"	6-1/4"	15-3/8"	5-1/2"
EALL-10	4"	5-7/16"	14-7/8"	4"	6-1/4"	15-3/8"	5-1/2"



Type T

TYPE T							
CATALOG NUMBER	CONDUIT SIZE	DIMENSIONS					
		A	B	C	D	E	F
EAT-1	1/2"	1-5/16"	3-7/8"	1/2"	1-7/16"	4-29/32"	2-1/8"
EAT-2	3/4"	1-1/2"	4-5/8"	3/4"	1-11/16"	5-1/2"	2-11/32"
EAT-3	1"	1-3/4"	5-3/8"	1"	1-15/16"	6-7/16"	2-21/32"
EAT-4	1-1/4"	2-1/2"	6-5/8"	1-1/4"	2-7/8"	8-7/16"	3-19/32"
EAT-5	1-1/2"	2-1/2"	6-5/8"	1-1/2"	2-7/8"	8-7/16"	3-19/32"
EAT-6	2"	3-1/8"	8-1/2"	2"	3-7/16"	10-3/4"	4-1/32"
EAT-7	2-1/2"	4-9/16"	12-1/4"	2-1/2"	4"	14"	6-1/4"
EAT-8	3"	4-9/16"	12-1/4"	3"	4-3/4"	13-1/2"	6-1/4"
EAT-9	3-1/2"	5-7/16"	14-7/8"	3-1/2"	5-1/2"	15-29/32"	7"
EALB-10	4"	5-7/16"	14-7/8"	4"	5-1/2"	15-29/32"	7"





FITTINGS E SERIES

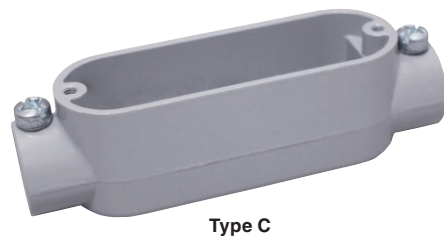
ALUMINUM - CONDUIT BODIES

UL E195978 - Standard 514B
 SB 2380786 - C22.2 #18

FEATURES-SPECIFICATIONS

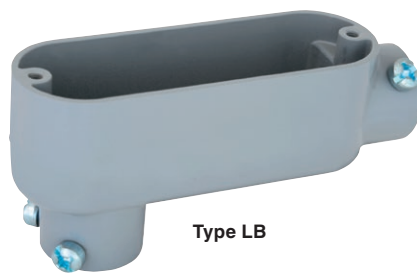
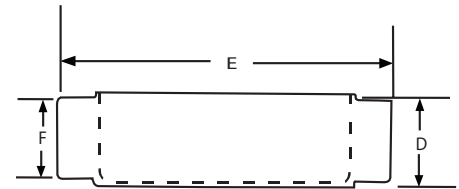
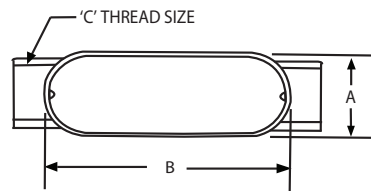
Features

- Flat back design for easy mounting close to walls
- Cast of high strength, corrosion and weather resistant aluminum alloy with painted finish
- May be used on aluminum or steel conduit
- Lightweight, makes installation simple



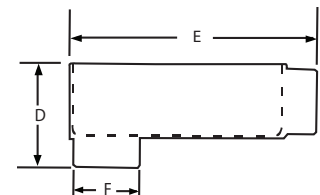
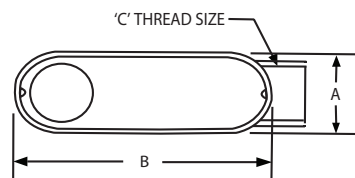
Type C

TYPE C							
CATALOG NUMBER	CONDUIT SIZE	DIMENSIONS					
		A	B	C	D	E	F
EBC-1	1/2"	1-5/16"	3-7/8"	1/2"	1-7/16"	4-29/32"	1-1/16"
EBC-2	3/4"	1-1/2"	4-5/8"	3/4"	1-11/16"	5-1/2"	1-11/32"
EBC-3	1"	1-3/4"	5-3/8"	1"	1-15/16"	6-7/16"	1-21/32"
EBC-4	1-1/4"	2-1/2"	6-5/8"	1-1/4"	2-7/8"	8-7/16"	2-1/4"
EBC-5	1-1/2"	2-1/2"	6-5/8"	1-1/2"	2-7/8"	8-7/16"	2-1/4"
EBC-6	2"	3-1/8"	8-1/2"	2"	3-7/16"	10-3/4"	2-15/16"



Type LB

TYPE LB							
CATALOG NUMBER	CONDUIT SIZE	DIMENSIONS					
		A	B	C	D	E	F
EBLB-1	1/2"	1-5/16"	3-7/8"	1/2"	2-1/8"	4-3/8"	1-1/16"
EBLB-2	3/4"	1-1/2"	4-5/8"	3/4"	2-7/16"	5-1/8"	1-11/32"
EBLB-3	1"	1-3/4"	5-3/8"	1"	2-13/16"	5-15/16"	1-21/32"
EBLB-4	1-1/4"	2-1/2"	6-5/8"	1-1/4"	3-3/4"	6-7/8"	2-1/4"
EBLB-5	1-1/2"	2-1/2"	6-5/8"	1-1/4"	3-3/4"	6-7/8"	2-1/4"
EBLB-6	2"	3-1/8"	8-1/2"	2"	4-1/8"	9-7/32"	2-15/16"
EBLB-7	2-1/2"	4-9/16"	12-1/4"	2-1/2"	5-13/16"	13-1/8"	3-7/16"
EBLB-8	3"	4-9/16"	12-1/4"	3"	5-13/16"	13-1/8"	4-7/64"
EBLB-9	3-1/2"	5-7/16"	14-7/8"	3-1/2"	7-1/4"	15-3/8"	5-9/64"
EBLB-10	4"	5-7/16"	14-7/8"	4"	7-1/4"	15-3/8"	5-9/64"



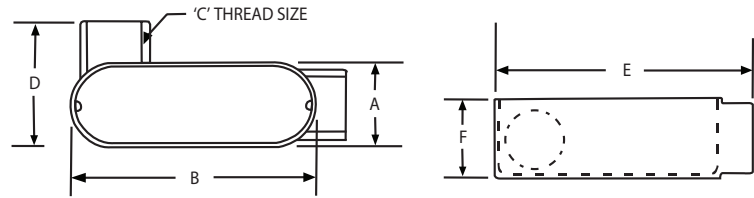


ALUMINUM - CONDUIT BODIES



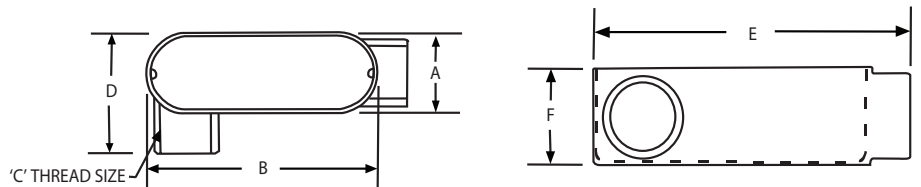
Type LL

TYPE LL							
CATALOG NUMBER	CONDUIT SIZE	DIMENSIONS					
		A	B	C	D	E	F
EBLL-1	1/2"	1-5/16"	3-7/8"	1/2"	2-3/64"	4-3/8"	1-7/16"
EBLL-2	3/4"	1-1/2"	4-5/8"	3/4"	2-5/16"	5-1/8"	1-11/16"
EBLL-3	1"	1-3/4"	5-3/8"	1"	2-21/32"	5-15/16"	1-15/16"
EBLL-4	1-1/4"	2-1/2"	6-5/8"	1-1/4"	3-15/32"	6-7/8"	2-7/8"
EBLL-5	1-1/2"	2-1/2"	6-5/8"	1-1/2"	3-15/32"	6-7/8"	2-7/8"
EBLL-6	2"	3-1/8"	8-1/2"	2"	3-7/8"	9-7/32"	3-7/16"



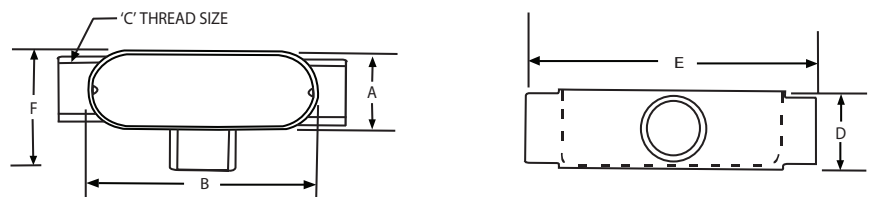
Type LR

TYPE LR							
CATALOG NUMBER	CONDUIT SIZE	DIMENSIONS					
		A	B	C	D	E	F
EBLR-1	1/2"	1-5/16"	3-7/8"	1/2"	2-3/64"	4-3/8"	1-7/16"
EBLR-2	3/4"	1-1/2"	4-5/8"	3/4"	2-15/16"	5-1/8"	1-11/16"
EBLR-3	1"	1-3/4"	5-3/8"	1"	2-21/32"	5-15/16"	1-15/16"
EBLR-4	1-1/4"	2-1/2"	6-5/8"	1-1/4"	3-15/32"	6-7/8"	2-7/8"
EBLR-5	1-1/2"	2-1/2"	6-5/8"	1-1/2"	3-15/32"	6-7/8"	2-7/8"
EBLR-6	2"	3-1/8"	8-1/2"	2"	3-7/8"	9-7/32"	3-7/16"



Type T

TYPE T							
CATALOG NUMBER	CONDUIT SIZE	DIMENSIONS					
		A	B	C	D	E	F
EBT-1	1/2"	1-5/16"	3-7/8"	1/2"	1-7/16"	4-29/32"	2-1/8"
EBT-2	3/4"	1-1/2"	4-5/8"	3/4"	1-11/16"	5-1/2"	2-11/32"
EBT-3	1"	1-3/4"	5-3/8"	1"	1-15/16"	6-7/16"	2-21/32"
EBT-4	1-1/4"	2-1/2"	6-5/8"	1-1/4"	2-7/8"	8-7/16"	3-19/32"
EBT-5	1-1/2"	2-1/2"	6-5/8"	1-1/2"	2-7/8"	8-7/16"	3-19/32"
EBT-6	2"	3-1/8"	8-1/2"	2"	3-7/16"	10-3/4"	4-1/16"





FITTINGS
E SERIES

ALUMINUM - ENTRANCE ELLS

UL E195978 - Standard 514B
SP 2380786 - C22.2 #18

FEATURES-SPECIFICATIONS

Features

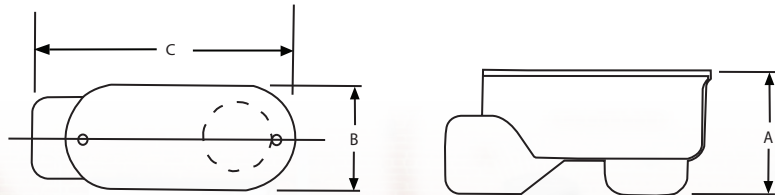
- Lightweight aluminum construction eases installation and provides a corrosion resistance
- Removable cover and gasket allows for easier wire pulling and access to the raceway



EASLB

DIMENSIONS				
CATALOG NUMBER	TRADE SIZE	A	B	C
EASLB-1	1/2"	10	100	-
EASLB-2	3/4"	10	50	-
EASLB-3	1"	6	24	-
EASLB-4	1-1/4"	2	8	-
EASLB-5	1-1/2"	2	8	-
EASLB-6	2"	1	5	-

Service Entrance





ALUMINUM - COVERS AND GASKETS

UL E195978 - Standard 514B
SP 2380786 - C22.2 #18

FEATURES-SPECIFICATIONS

Features

Covers

- Lightweight aluminum construction provides corrosion resistance and easy installation
- Covers are furnished with zinc plated screws-no worry about removing a cover once it is installed

Gaskets

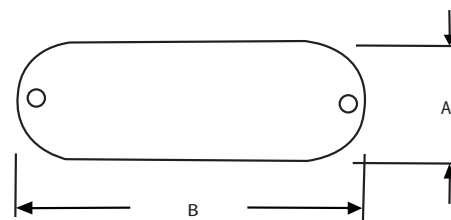
- Gasket materials available: neoprene



GASKETS - NEOPRENE TYPE			
CATALOG NUMBER	TRADE SIZE	DIMENSIONS	
		A	B
EGKN-1	1/2"	1-3/8"	3-29/32"
EGKN-2	3/4"	1-9/16"	4-11/16"
EGKN-3	1"	1-25/32"	5-3/8"
EGKN-4	1-1/4" - 1-1/2"	2-1/2"	7-1/4"
EGKN-5	2"	3-1/8"	9-1/2"
EGKN-6	2-1/2" - 3"	4-1/2"	12-1/4"
EGKN-7	3-1/2" - 4"	5-29/64"	14-13/64"

COVER			
CATALOG NUMBER	TRADE SIZE	DIMENSIONS	
		A	B
ESCV-1	1/2"	1-3/8"	3-29/32"
ESCV-2	3/4"	1-9/16"	4-11/16"
ESCV-3	1"	1-25/32"	5-3/8"
ESCV-4	1-1/4" - 1-1/2"	2-1/2"	7-1/4"
ESCV-5	2"	3-1/8"	9-1/2"
ESCV-6	2-1/2" - 3"	4-1/2"	12-1/4"
ESCV-7	3-1/2" - 4"	5-29/64"	14-13/64"

Cover





FITTINGS
E SERIES

ALUMINUM - COVER AND GASKET INCLUDED

UL E195978 - Standard 514B
SP 2380786 - C22.2 #18

FEATURES-SPECIFICATIONS

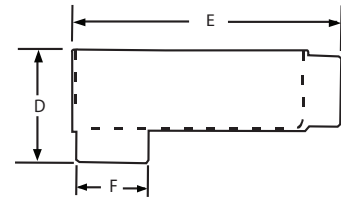
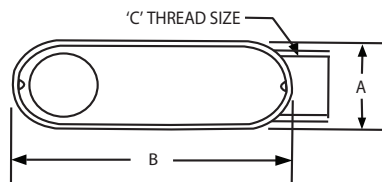
Features

- Assembled with cover and gasket to speed installation - installer has all components needed
- Flat back design for easy mounting close to walls
- Cast of high strength, corrosion, and weather resistant aluminum alloy with painted finish
- May be used on aluminum or steel conduit
- Lightweight, makes installation simple
- Unique E-PAK™ packaging serves as a shipping and display carton



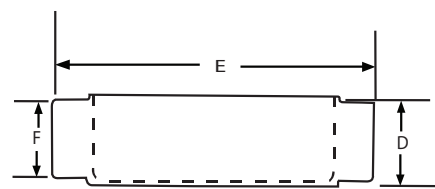
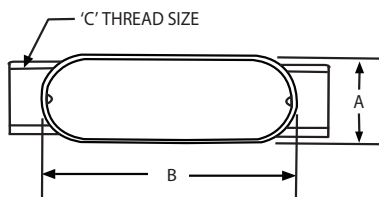
Type LB

TYPE LB								
CATALOG NUMBER	CONDUIT SIZE	DIMENSIONS						E PAK CTN
		A	B	C	D	E	F	
EALB-1CGN	1/2"	1-5/16"	3-7/8"	1/2"	2-7/8"	4-3/32"	1-1/16"	10
EALB-2CGN	3/4"	1-1/2"	4-5/8"	3/4"	2-7/16"	5-1/8"	1-11/32"	10
EALB-3CGN	1"	1-3/4"	5-3/8"	1"	2-13/16"	6-15/16"	1-21/32"	5
EALB-4CGN	1-1/4"	2-1/2"	6-5/8"	1-1/4"	3-3/4"	6-7/8"	2-1/4"	2
EALB-5CGN	1-1/2"	2-1/2"	6-5/8"	1-1/2"	3-3/4"	6-7/8"	2-1/4"	2
EALB-6CGN	2"	3-1/8"	8-1/2"	2"	4-1/8"	9-7/32"	2-15/16"	1
EALB-7CGN	2-1/2"	4-9/16"	12-1/4"	2-1/2"	5-13/16"	13-1/8"	3-7/16"	1
EALB-8CGN	3"	4-9/16"	12-1/4"	3"	5-13/16"	13-1/8"	4-7/64"	1
EALB-9CGN	3-1/2"	5-7/16"	14-7/8"	3-1/2"	7-1/4"	15-3/8"	5-9/64"	1
EALB-10CGN	4"	5-7/16"	14-7/8"	4"	7-1/4"	15-3/8"	5-9/64"	1



Type C

TYPE C								
CATALOG NUMBER	CONDUIT SIZE	DIMENSIONS						E PAK CTN
		A	B	C	D	E	F	
EAC-1CGN	1/2"	1-5/16"	3-7/8"	1/2"	1-7/16"	4-29/32"	1-1/16"	10
EAC-2CGN	3/4"	1-1/2"	4-5/8"	3/4"	1-11/16"	5-1/2"	1-11/32"	10
EAC-3CGN	1"	1-3/4"	5-3/8"	1"	1-15/16"	6-7/16"	1-21/32"	5
EAC-4CGN	1-1/4"	2-1/2"	6-5/8"	1-1/4"	2-7/8"	8-7/16"	2-1/4"	2
EAC-5CGN	1-1/2"	2-1/2"	6-5/8"	1-1/2"	2-7/8"	8-7/16"	2-1/4"	2
EAC-6CGN	2"	3-1/8"	8-1/2"	2"	3-7/16"	10-3/4"	2-15/16"	1
EAC-7CG	2-1/2"	4-9/16"	12-1/4"	2-1/2"	4"	14"	3-7/16"	1
EAC-8CG	3"	4-9/16"	12-1/4"	3"	4-3/4"	13-1/2"	4-7/64"	1
EAC-9CG	3-1/2"	5-7/16"	14-7/8"	3-1/2"	5-1/2"	15-29/32"	5-9/64"	1
EAC-10CG	4"	5-7/16"	14-7/8"	4"	5-1/2"	15-29/32"	5-9/64"	1



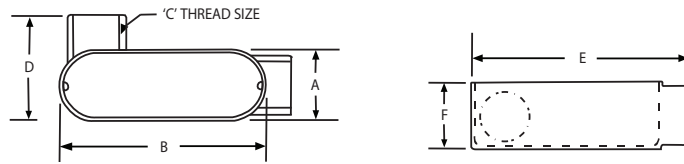


ALUMINUM - COVER AND GASKET INCLUDED



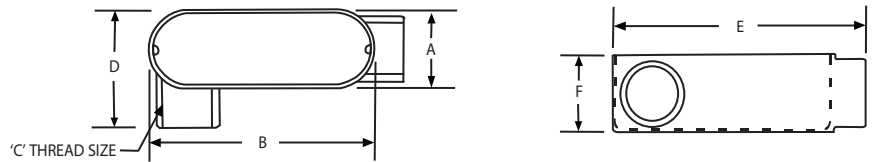
Type LL

TYPE LL								
CATALOG NUMBER	CONDUIT SIZE	DIMENSIONS						E PAK CTN
		A	B	C	D	E	F	
EALL-1CGN	1/2"	1-5/16"	3-7/8"	1/2"	2-3/64"	4-3/8"	1-7/16"	10
EALL-2CGN	3/4"	1-1/2"	4-5/8"	3/4"	2-5/16"	5-1/8"	1-11/16"	10
EALL-3CGN	1"	1-3/4"	5-3/8"	1"	2-21/32"	5-15/16"	1-15/16"	5
EALL-4CGN	1-1/4"	2-1/2"	6-5/8"	1-1/4"	3-15/32"	6-7/8"	2-7/8"	2
EALL-5CGN	1-1/2"	2-1/2"	6-5/8"	1-1/2"	3-15/32"	6-7/8"	2-7/8"	2
EALL-6CGN	2"	3-1/8"	8-1/2"	2"	3-7/8"	9-7/32"	3-7/16"	1
EALL-7CG	2-1/2"	4-9/16"	12-1/4"	2-1/2"	6"	13-1/8"	4"	1
EALL-8CG	3"	4-9/16"	12-1/4"	3"	6"	13-1/8"	4-3/4"	1
EALL-9CG	3-1/2"	5-7/16"	14-7/8"	3-1/2"	6-1/4"	15-3/8"	5-1/2"	1
EALL-10CG	4"	5-7/16"	14-7/8"	4"	6-1/4"	15-3/8"	5-1/2"	1



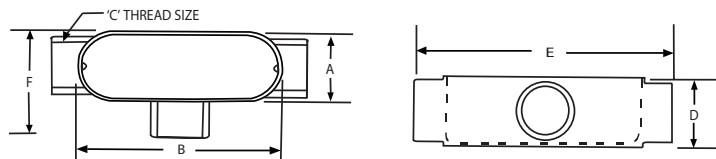
Type LR

TYPE LR								
CATALOG NUMBER	CONDUIT SIZE	DIMENSIONS						E PAK CTN
		A	B	C	D	E	F	
EALR-1CGN	1/2"	1-5/16"	3-7/8"	1/2"	2-3/64"	4-3/8"	1-7/16"	10
EALR-2CGN	3/4"	1-1/2"	4-5/8"	3/4"	2-5/16"	5-1/8"	1-11/16"	10
EALR-3CGN	1"	1-3/4"	5-3/8"	1"	2-21/32"	5-15/16"	1-15/16"	5
EALR-4CGN	1-1/4"	2-1/2"	6-5/8"	1-1/4"	3-15/32"	6-7/8"	2-7/8"	2
EALR-5CGN	1-1/2"	2-1/2"	6-5/8"	1-1/2"	3-15/32"	6-7/8"	2-7/8"	2
EALR-6CGN	2"	3-1/8"	8-1/2"	2"	3-7/8"	9-7/32"	3-7/16"	1
EALR-7CG	2-1/2"	4-9/16"	12-1/4"	2-1/2"	6"	13-1/8"	4"	1
EALR-8CG	3"	4-9/16"	12-1/4"	3"	6"	13-1/8"	4-3/4"	1
EALR-9CG	3-1/2"	5-7/16"	14-7/8"	3-1/2"	6-1/4"	15-3/8"	5-1/2"	1
EALR-10CG	4"	5-7/16"	14-7/8"	4"	6-1/4"	15-3/8"	5-1/2"	1



Type T

TYPE T								
CATALOG NUMBER	CONDUIT SIZE	DIMENSIONS						E PAK CTN
		A	B	C	D	E	F	
EAT-1CGN	1/2"	1-5/16"	3-7/8"	1/2"	1-7/16"	4-29/32"	2-1/8"	10
EAT-2CGN	3/4"	1-1/2"	4-5/8"	3/4"	1-11/16"	5-1/2"	2-11/32"	10
EAT-3CGN	1"	1-3/4"	5-3/8"	1"	1-15/16"	6-7/16"	2-21/32"	5
EAT-4CGN	1-1/4"	2-1/2"	6-5/8"	1-1/4"	2-7/8"	8-7/16"	3-19/32"	2
EAT-5CGN	1-1/2"	2-1/2"	6-5/8"	1-1/2"	2-7/8"	8-7/16"	3-19/32"	2
EAT-6CGN	2"	3-1/8"	8-1/2"	2"	3-7/16"	10-3/4"	4-1/32"	1
EAT-7CG	2-1/2"	4-9/16"	12-1/4"	2-1/2"	4"	14"	6-1/4"	1
EAT-8CG	3"	4-9/16"	12-1/4"	3"	4-3/4"	13-1/2"	6-1/4"	1
EAT-9CG	3-1/2"	5-7/16"	14-7/8"	3-1/2"	5-1/2"	15-29/32"	7"	1
EALB-10CG	4"	5-7/16"	14-7/8"	4"	5-1/2"	15-29/32"	7"	1





FITTINGS

AF/AF8 SERIES

EXPANSION FITTINGS



Casted Body with NPT hub size

Type "A" Phenolic Insulating Bushing

Galvanized Washer

Tinned Copper Braid

End Coupling

Teflon Water Tight Packaging





EXPANSION FITTINGS

 LISTED – File E22699



AF8-75



AF-75

FEATURES-SPECIFICATIONS

Features

- Conduit body is casted from a durable and natural corrosive resistant ZA12 zinc alloy
- Relies on tinned braided copper external bonding jumper (AJ Series Jumper) per NEC 250.98
- Includes phenolic insulating bushing
- Contains PTFE synthetic fiber reinforced gasket with steel washer
- Tinned braided copper ring
- Raintight, watertight, and concrete-tight

Materials

Add suffixes to the following for ordering logic:

- ZA12 (zinc Alloy) standard
- Hot Dipped Galvanized AF-50EG
- Aluminum AF-50AL
- Polyolefin Coated AF-50GG

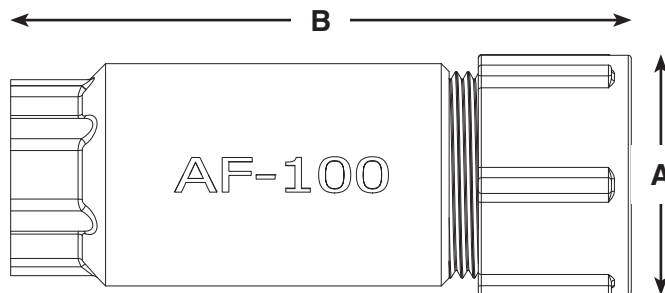


FITTINGS

AF/AF8 SERIES

EXPANSION FITTINGS

EXPANSION FITTINGS				
4" CONDUIT MOVEMENT				BONDING JUMPER
HUB SIZE	CATALOG #	MAX. DIA. (A)	LENGTH (B)	CATALOG #
1/2"	AF-50	2"	6-1/4"	AJ-5075-14
3/4"	AF-75	2-1/4"	6-3/8"	AJ-5075-14
1"	AF-100	2-5/8"	6-5/8"	AJ-100125-14
1-1/4"	AF-125	3-1/8"	6-5/8"	AJ-100125-14
1-1/2"	AF-150	3-1/2"	6-5/8"	AJ-150200-14
2"	AF-200	4"	7-1/8"	AJ-150200-14
2-1/2"	AF-250	4-1/2"	7-1/2"	AJ-250300-14
3"	AF-300	5-3/8"	8-1/8"	AJ-250300-14
3-1/2"	AF-350	6"	8-1/2"	AJ-350400-14
4"	AF-400	6-5/8"	8-5/8"	AJ-350400-14
5"	AF-500	8"	9-1/2"	AJ-500600-14
8" CONDUIT MOVEMENT				BONDING JUMPER
1/2"	AF8-50	2"	10-1/4"	AJ-5075-24
3/4"	AF8-75	2-1/4"	10-3/8"	AJ-5075-24
1"	AF8-100	5-5/8"	10-5/8"	AJ-100125-24
1-1/4"	AF8-125	3-1/8"	10-5/8"	AJ-100125-24
1-1/2"	AF8-150	3-1/2"	10-5/8"	AJ-150200-24
2"	AF8-200	4"	11-1/8"	AJ-150200-24
2-1/2"	AF8-250	4-1/2"	11-1/2"	AJ-250300-24
3"	AF8-300	5-3/8"	12-1/8"	AJ-250300-24
3-1/2"	AF8-350	6"	12-1/4"	AJ-350400-24
4"	AF8-400	6-5/8"	12-3/8"	AJ-350400-24
5"	EF-500	8"	11-1/8"	AJ-500600-24





EXPANSION FITTINGS



 LISTED – File E22699

TAF-75

FEATURES-SPECIFICATIONS

Features

- TAF Series conduit body, cast from durable and naturally corrosive resistant ZA12 alloy, contains the following:
 - » Phenolic insulating bushing
 - » PTFE synthetic fiber reinforced gasket with steel washer
 - » Tinned braided copper ring
- Includes 8" steel conduit nipple
- Two steel EMT raintight connectors
- Relies on tinned braided copper external bonding jumper (AJ Series)

Materials

Add suffixes to the following for ordering logic:

- ZA12 (zinc Alloy) standard
- Aluminum TAF-50AL

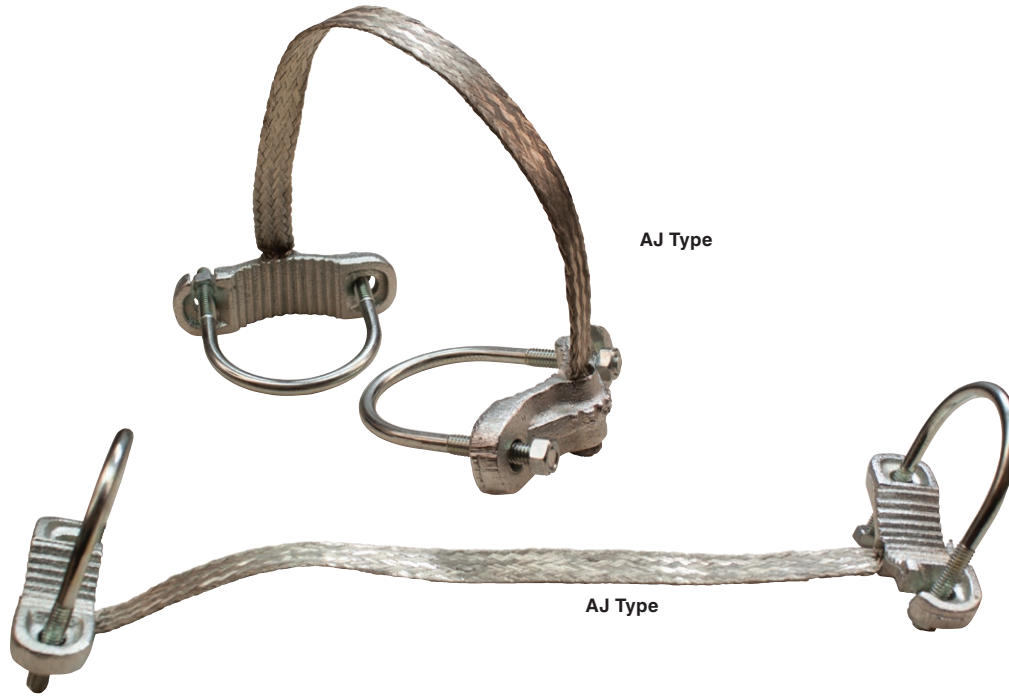
TAF SERIES EMT EXPANSION FITTINGS		
HUB SIZE	CATALOG #	BONDING JUMPER CAT. #
1/2"	TAF-50	AJ-5075-24
3/4"	TAF-75	AJ-5075-24
1"	TAF-100	AJ-100125-24
1-1/4"	TAF-125	AJ-100125-24
1-1/2"	TAF-150	AJ-150200-24
2"	TAF-200	AJ-150200-24
2-1/2"	TAF-250	AJ-250300-24
3"	TAF-300	AJ-250300-24
3-1/2"	TAF-350	AJ-350400-24
4"	TAF-400	AJ-350400-24



FITTINGS
AJ/AJE SERIES

BONDING JUMPERS

LISTED – File E22699 & E44925



FEATURES-SPECIFICATIONS

Materials

- Clamps and U-Bolts are electro-galvanized

Sizes

- Braid lengths listed are measured fully extended

AJ SERIES BONDING JUMPERS 14"	
CATALOG #	TRADE SIZE (IN)
AJ-5075-14	1/2 and 3/4
AJ-100125-14	1 and 1-1/4
AJ-150200-14	1-1/2 and 2
AJ-250300-14	2-1/2 and 3
AJ-350400-14	3-1/2 and 4
AJ-500600-14	5 and 6

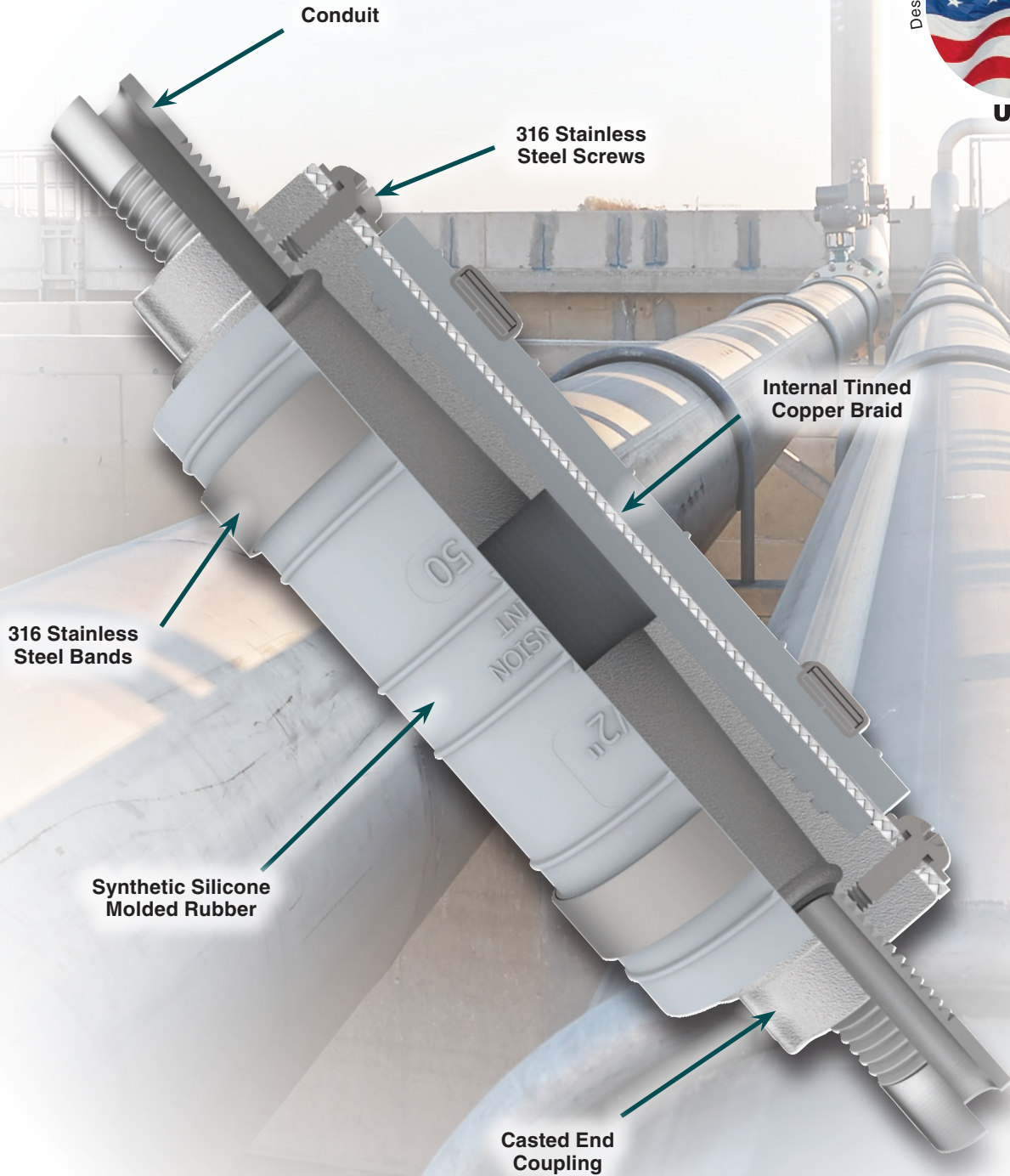
AJ SERIES BONDING JUMPERS 24"	
CATALOG #	TRADE SIZE (IN)
AJ-5075-24	1/2 and 3/4
AJ-100125-24	1 and 1-1/4
AJ-150200-24	1-1/2 and 2
AJ-250300-24	2-1/2 and 3
AJ-350400-24	3-1/2 and 4
AJ-500600-24	5 and 6

AJE SERIES BONDING JUMPERS 16"	
CATALOG #	TRADE SIZE (IN)
AJE-5075-16	1/2 and 3/4
AJE-100125-16	1 and 1-1/4
AJE-150200-16	1-1/2 and 2
AJE-250300-16	2-1/2 and 3
AJE-350400-16	3-1/2 and 4
AJE-500600-16	5 and 6

AJE SERIES BONDING JUMPERS 24"	
CATALOG #	TRADE SIZE (IN)
AJE-5075-24	1/2 and 3/4
AJE-100125-24	1 and 1-1/4
AJE-150200-24	1-1/2 and 2
AJE-250300-24	2-1/2 and 3
AJE-350400-24	3-1/2 and 4
AJE-500600-24	5 and 6



DEFLECTION EXPANSION FITTINGS





FITTINGS DF SERIES

DEFLECTION EXPANSION FITTINGS



DF-100

 LISTED – File E22699

FEATURES-SPECIFICATIONS

Features

- Durable cast ZA12 (zinc alloy) end couplings for use with rigid or IMC conduit
- Stainless steel lap bands for superior corrosion resistance and to ensure fastened strength
- Silicone rubber sleeve for high UV and environmental corrosion resistance
- Tinned braided copper grounding straps for electrical continuity
- Raintight, watertight, and concrete-tight

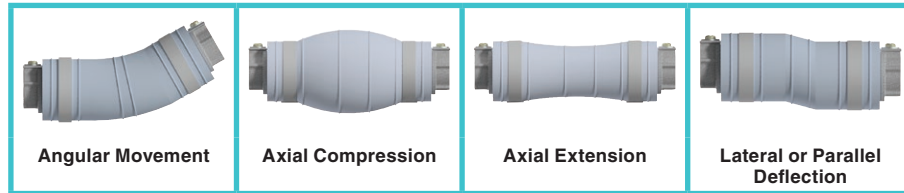
Materials

Add suffixes to the following for ordering logic:

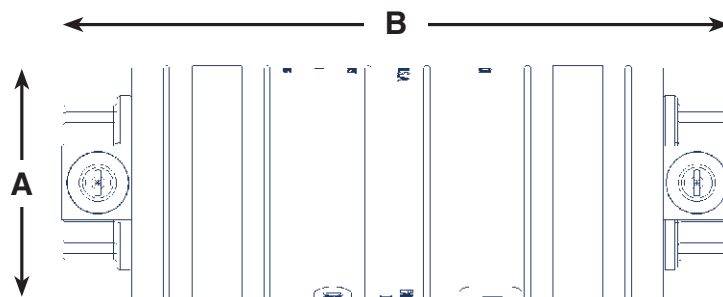
- ZA12 (zinc Alloy) standard
- Hot Dipped Galvanized DF-50EG
- Aluminum DF-50AL
- Polyolefin Coated DF-50GG



DEFLECTION EXPANSION FITTINGS



DEFLECTION DF			
HUB SIZE	CATALOG #	MAX. DIA. (A)	LENGTH (B)
1/2"	DF-50	2-1/4"	6-3/4"
3/4"	DF-75	2-1/2"	6-3/4"
1"	DF-100	2-3/4"	7"
1-1/4"	DF-125	3-1/8"	7-1/4"
1-1/2"	DF-150	3-1/8"	7-1/4"
2"	DF-200	3-7/8"	8-1/8"
2-1/2"	DF-250	4-3/8"	8-1/2"
3"	DF-300	5"	8-1/2"
3-1/2"	DF-350	5-3/4"	9-1/4"
4"	DF-400	6-1/4"	9-1/4"
5"	DF-500	7-1/4"	9-3/8"
6"	DF-600	8-1/4"	9-3/8"



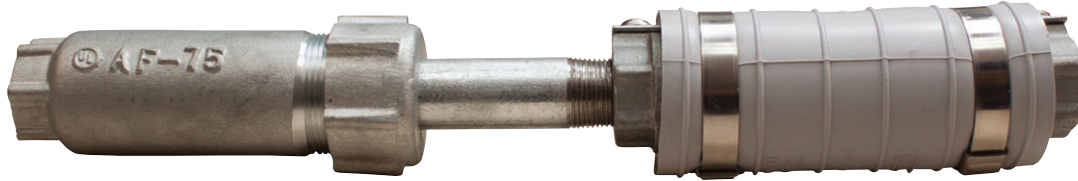


FITTINGS

AFDF COMBO SERIES

EXPANSION COMBO FITTING

 LISTED – File E22699



AFDF-75

FEATURES-SPECIFICATIONS

Materials

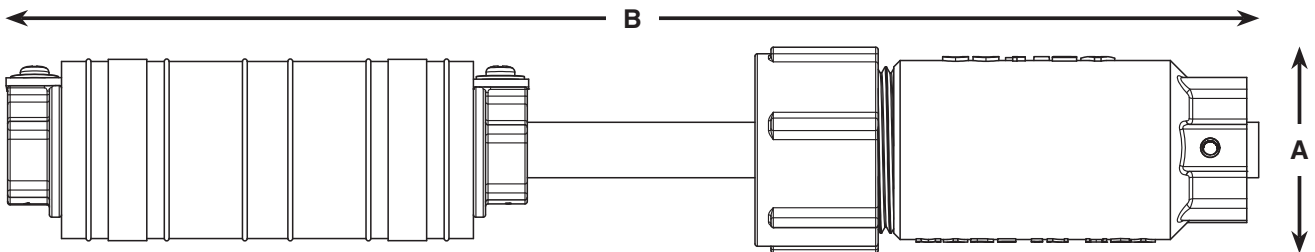
Add suffixes to the following for ordering logic:

- ZA12 (zinc alloy) standard
- Hot Dipped Galvanized ADFD-50EG
- Aluminum ADFD-50AL
- Polyolefin Coated ADFD-50GG



EXPANSION COMBO FITTING

AFDF COMBINATION DEFLECTION/EXPANSION			
HUB SIZE	CATALOG #	MAX. DIA. (A)	EST. LENGTH (B)
1/2"	AFDF-50	2-1/4"	15"
3/4"	AFDF-75	2-1/2"	15-1/8"
1"	AFDF-100	2-3/4"	15-5/8"
1-1/4"	AFDF-125	3-1/8"	15-7/8"
1-1/2"	AFDF-150	3-1/2"	15-7/8"
2"	AFDF-200	4"	17-1/4"
2-1/2"	AFDF-250	4-1/2"	18"
3"	AFDF-300	5-1/8"	18-5/8"
3-1/2"	AFDF-350	6"	19-3/4"
4"	AFDF-400	6-5/8"	20"
5"	AFDF-500	8"	21"





FITTINGS

SLB/SLBM/SOLB/MLB SERIES



SLB-1 thru 7



SOLB-8, 9, 0



SLBM-4

Suitable for wet locations when used with gasketed covers.

Federal Specification W-C-586D / A-A 50563.

Suitable for use in hazardous location applications when installed according to NEC Articles 501.10(b), Class I, Div. 2, (Suitable for use in Class I Zone 2 applications) 502.10 and 503.10.



LISTED - File E22698



Certified - File LR11852

FEATURES-SPECIFICATIONS

Features

- Designed for easier wire pulling
- Includes Cover and Gasket

Materials

Copper-free Aluminum
(less than 1/10 of 1%)

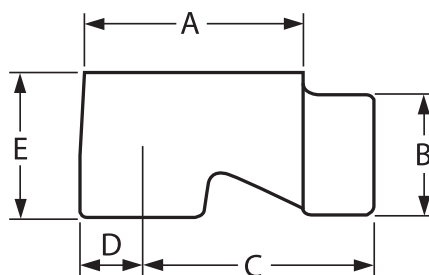
- Electrostatically applied powder coating

SLB/SLBM/SOLB/MLB SERIES



SERVICE ENTRANCE • STANDARD AND HOSTILE LOCATIONS

SERVICE ENTRANCE BODIES							
CATALOG NUMBER	CONDUIT SIZE	A	B	C	D	E	F
SLB-1	1/2"	2-3/4" (70)	1-1/16" (27)	2-3/8" (60)	3/4" (19)	1-3/8" (35)	1-3/16" (30)
SLB-2	3/4"	3-1/8" (79)	1-3/8" (35)	2-11/16" (68)	7/8" (22)	1-11/16" (43)	1-3/8" (35)
SLB-3	1"	3-3/4" (95)	1-5/8" (41)	3-1/4" (83)	15/16" (24)	1-15/16" (49)	1-3/4" (44)
SLB-4	1-1/4"	5" (127)	2" (51)	4-5/16" (110)	1-1/4" (32)	2-1/2" (64)	2-3/16" (56)
SLBM-4	1-1/4"	7-1/4" (184)	1-15/16" (49)	6-3/8" (162)	15/16" (24)	2-5/8" (67)	2-1/2" (64)
SLB-5	1-1/2"	5-3/4" (147)	2-7/16" (62)	4-3/4" (121)	1-1/2" (38)	2-9/16" (65)	2-7/16" (62)
SLB-6	2"	6-1/4" (159)	2-15/16" (75)	5" (127)	1-5/8" (41)	3-1/8" (79)	2-13/16" (71)
SLBM-6	2"	9-1/2" (241)	2-11/16" (68)	8-9/16" (217)	11-3/16" (284)	3-7/16" (87)	3-1/8" (79)
SLB-7	2-1/2"	8" (203)	3-9/16" (90)	6-7/8" (175)	11-5/16" (287)	4" (102)	3-1/2" (89)
SOLB-8	3"	12-1/4" (311)	4-7/16" (113)	10-7/16" (265)	11-3/16" (284)	6-1/4" (159)	4-7/16" (113)
SOLB-9	3-1/2"	15" (381)	5" (127)	11-7/8" (302)	3-1/8" (79)	7-1/2" (191)	5-1/2" (140)
SOLB-0	4"	15" (381)	5" (127)	11-7/8" (302)	3-1/8" (79)	7-1/2" (191)	5-1/2" (140)





FITTINGS

CL/CLM/SOLB SERIES

PULLING ELBOW • STANDARD AND HOSTILE LOCATIONS



CLM-2[Ⓢ]



CL-3[Ⓢ]

 Certified - File LR11852

FEATURES-SPECIFICATIONS

Features

- Designed for easier wire pulling
- Includes Cover and Gasket

Materials

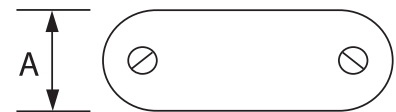
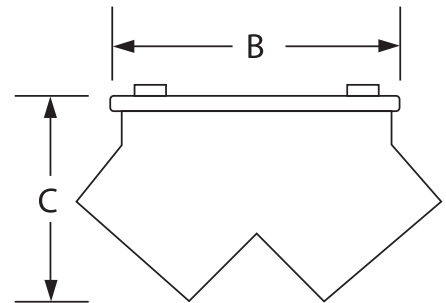
Copper-free Aluminum
(less than 1/10 of 1%)

- Electrostatically applied powder coating

PULLING ELBOWS FOR THREADED CONDUIT		
CATALOG NUMBER	HUB SIZE	TYPE
CL-1	1/2"	CL
CL-2	3/4"	
CL-3	1"	
CLM-1	1/2"	CLM
CLM-2	3/4"	
CLM-3	1"	

[Ⓢ] Raintight/concrete tight

DIMENSIONS			
SIZE	A	B	C
1/2"	1-1/4" (32)	2-9/16" (65)	1-3/8" (35)
3/4"	1-3/8" (35)	2-3/4" (70)	1-9/16" (40)
1"	1-3/4" (44)	3-1/8" (79)	1-3/4" (44)





SERVICE ENTRANCE • STANDARD AND HOSTILE LOCATIONS



FB



STFB

 - File E22698

FEATURES-SPECIFICATIONS

Features

FB – Weather-proof for threaded conduit.

- For use with aluminum or steel conduit
- Insulators included
- Easy installation and assembly
- Variety of knockout arrangements
- Vertical mounting
- Sizes ½" thru 4" available

STFB – For rigid or thinwall conduit (EMT)

- For use with aluminum or steel conduit
- Mounting clamp provides easy installation
- Insulators included
- Three point balance for proper alignment
- Variety of knockout arrangements
- Vertical mounting
- Sizes ¾" thru 4" available

Materials

Copper-free Aluminum (less than ¼ of 1%)

- Natural finish



FITTINGS

FB/STFB SERIES

SERVICE ENTRANCE • STANDARD AND HOSTILE LOCATIONS

FB SERVICE ENTRANCE					
CATALOG NUMBER	HUB SIZE	KNOCKOUTS		DIMENSIONS	
		QUANTITY	DIAMETER	WIDTH	HEIGHT
FB-714	1/2"	4	3/8"	3.00" (76)	2.60" (66)
FB-724	3/4"	5	3/8"	2.39" (61)	2.32" (58)
FB-734	1"	5	1/2"	2.62" (67)	3.03" (80)
FB-745	1-1/4"	5	1/2"	2.62" (67)	3.03" (80)
FB-755	1-1/2"	6	One 1/2"	4.43" (113)	4.45" (113)
FB-765	2"		Two 3/4"		
			Three 1"		
FB-787	3"	7	Four 1"	6.40" (163)	8.00" (203)
			Three 1-1/4"		
FB-707	4"	7	Four 1-3/4"	8.00"	9.00" (229)
			Two 1-1/8"		

STFB SERVICE ENTRANCE					
CATALOG NUMBER	HUB SIZE	KNOCKOUTS		DIMENSIONS	
		QUANTITY	DIAMETER	WIDTH	HEIGHT
STFB-2	3/4"	5	3/8"	2.39" (61)	2.32" (59)
STFB-3	1"	5	1/2"	2.62" (67)	3.03" (77)
STFB-4	1-1/4"	5	1/2"	2.62" (67)	3.03" (77)
STFB-5	1-1/2"	6	One 1/2"	3.43" (87)	3.75" (95)
			Two 5/8"		
			Three 3/4"		
STFB-6	2"	6	One 1/2"	4.43" (113)	4.45" (113)
			Two 3/4"		
			Three 1"		
STFB-7	2-1/2"	7	Four 1"	6.40" (163)	8.00" (203)
			Three 1-1/4"		
STFB-8	3"	7	Four 1"	6.40"	8.00" (203)
			Three 1-1/4"		
STFB-0	4"	7	Four 1-1/8"	8.00" (203)	9.00" (229)
			Three 1-3/4"		



CAST DEVICE BOXES • STANDARD AND HOSTILE LOCATIONS



UL Standard: 514A
CSA Standard: C22.2 No. 18
Fed Spec: W-C-586D
NEMA: FB-1

 LISTED File No. E 3397

 Certified File No. LR11852

FEATURES-SPECIFICATIONS

Features

- Tapered threads (NPT with integral bushings)
- Internal grounding screw
- Mounting lugs provided as standard
- Available single and two gang styles
- Suitable for use in wet locations when used with gasket covers
- Cast iron is suitable for concrete use
- To order without mounting lugs, contact factory.

Materials

- Copper-free Aluminum (less than 1/10 of 1%)
 - » Electrostatically applied powder coat paint
- Duraloy malleable gray iron
 - » Tri-coat finish of electro-zinc and chromate sealant with electrostatically applied Duraloy Plus powder coat paint



FITTINGS

FS/FD/FSC SERIES

CAST DEVICE BOXES • STANDARD AND HOSTILE LOCATIONS



FS Type



FD Type



FSC Type

FS TYPE CAST DEVICE BOX – SHALLOW – DEAD END

CATALOG NUMBER		HUB SIZE	DIMENSIONS							VOLUME CU. IN.
KILLARK ALUM.	DURALOY IRON		A	B	C	D	E	F	G	
FS-1	FS-1M	1/2"	7/8" (22)	2" (51)	11/16" (17)	4-5/8" (117)	2-7/8" (73)	2-1/8" (54)	—	18.0
FS-2	FS-2M	3/4"	7/8" (22)	2" (51)	11/16" (17)	4-5/8" (117)	2-7/8" (73)	2-1/8" (54)	—	18.0
FS-3	FS-3M	1"	7/8" (22)	2" (51)	11/16" (17)	4-5/8" (117)	2-7/8" (73)	2-1/8" (54)	—	18.0

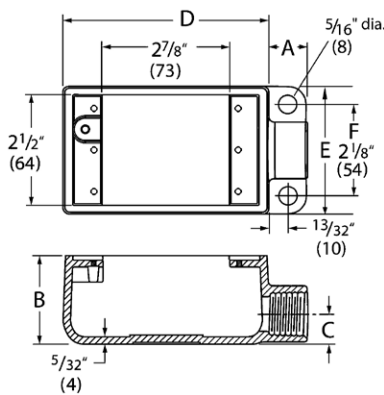
FD TYPE CAST DEVICE BOX – DEEP – DEAD END

CATALOG NUMBER		HUB SIZE	DIMENSIONS							VOLUME CU. IN.
KILLARK ALUM.	DURALOY IRON		A	B	C	D	E	F	G	
FD-1	FD-1M	1/2"	7/8" (22)	2-7/8" (73)	11/16" (17)	4-5/8" (117)	2-7/8" (73)	2-1/8" (54)	—	28.0
FD-2	FD-2M	3/4"	7/8" (22)	2-7/8" (73)	11/16" (17)	4-5/8" (117)	2-7/8" (73)	2-1/8" (54)	—	28.0
FD-3	FD-3M	1"	7/8" (22)	2-7/8" (73)	11/16" (17)	4-5/8" (117)	2-7/8" (73)	2-1/8" (54)	—	28.0

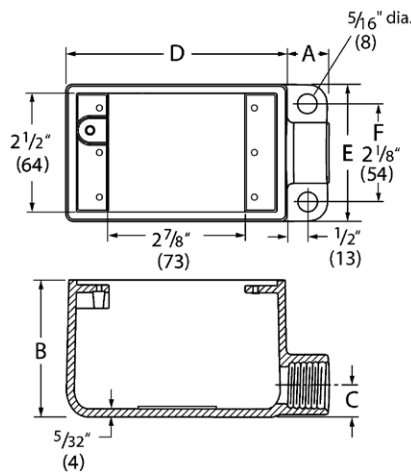
FSC TYPE CAST DEVICE BOX – SHALLOW – FEED THRU

CATALOG NUMBER		HUB SIZE	DIMENSIONS							VOLUME CU. IN.
KILLARK ALUM.	DURALOY IRON		A	B	C	D	E	F	G	
FSC-1	FSC-1M	1/2"	7/8" (22)	2" (51)	11/16" (17)	4-5/8" (117)	2-7/8" (73)	2-1/8" (54)	5-3/8" (136)	18.0
FSC-2	FSC-2M	3/4"	7/8" (22)	2" (51)	11/16" (17)	4-5/8" (117)	2-7/8" (73)	2-1/8" (54)	5-3/8" (136)	18.0
FSC-3	FSC-3M	1"	7/8" (22)	2" (51)	11/16" (17)	4-5/8" (117)	2-7/8" (73)	2-1/8" (54)	5-3/8" (136)	18.0

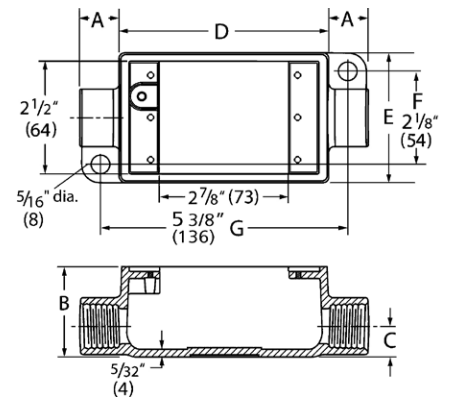
DIMENSIONS



FS - 1, 2, 3



FD - 1, 2, 3



FSC - 1, 2, 3



CAST DEVICE BOXES • STANDARD AND HOSTILE LOCATIONS



FDC 1, 2 & 3 with lugs



FSOC Type
 (No Mounting Lugs)



FSL Type

FDC TYPE CAST DEVICE BOX – DEEP – FEED THRU

CATALOG NUMBER		HUB SIZE	DIMENSIONS							VOLUME CU. IN.
KILLARK ALUM.	DURALOY IRON		A	B	C	D	E	F	G	
FDC-1	FDC-1M	1/2"	7/8" (22)	2-7/8" (73)	11/16" (17)	4-5/8" (117)	2-7/8" (73)	2-1/8" (54)	5-3/8" (136)	28.5
FDC-2	FDC-2M	3/4"	7/8" (22)	2-7/8" (73)	11/16" (17)	4-5/8" (117)	2-7/8" (73)	2-1/8" (54)	5-3/8" (136)	28.5
FDC-3	FDC-3M	1"	7/8" (22)	2-7/8" (73)	11/16" (17)	4-5/8" (117)	2-7/8" (73)	2-1/8" (54)	5-3/8" (136)	28.5

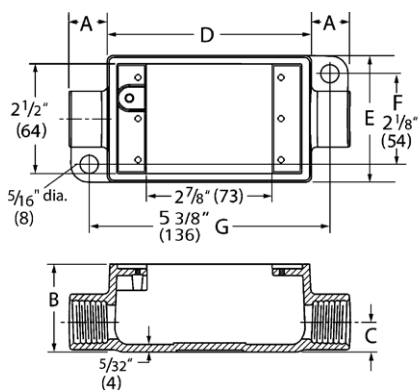
FSOC TYPE CAST DEVICE OPEN BOX – SHALLOW – FEED THRU

CATALOG NUMBER		HUB SIZE	DIMENSIONS							VOLUME CU. IN.
KILLARK ALUMINUM			A	B	C	D	E	F	G	
FSOC-1		1/2"	7/8" (22)	3" (76)	1-1/2" (138)	4-5/8" (117)	2-7/8" (73)	—	—	29.0

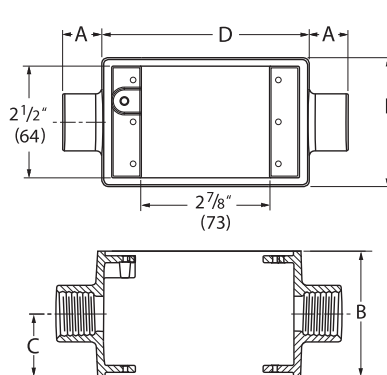
FSL TYPE CAST DEVICE BOX – SHALLOW

CATALOG NUMBER		HUB SIZE	DIMENSIONS							VOLUME CU. IN.
KILLARK ALUM.	DURALOY IRON		A	B	C	D	E	F	G	
FSL-1	FSL-1M	1/2"	7/8" (22)	2" (51)	11/16" (17)	4-5/8" (117)	2-7/8" (73)	2-1/8" (54)	—	18.0
FSL-2	FSL-2M	3/4"	7/8" (22)	2" (51)	11/16" (17)	4-5/8" (117)	2-7/8" (73)	2-1/8" (54)	—	18.0

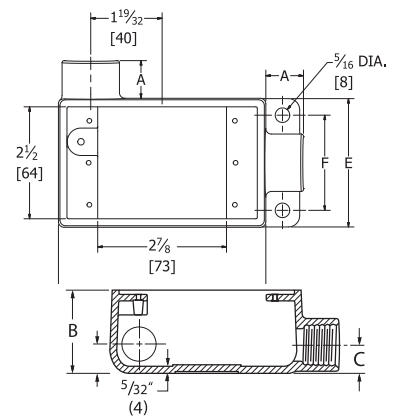
DIMENSIONS



FDC - 1, 2 & 3



FSOC - 1



FSL - 1 & 2



FITTINGS
FRS/FST SERIES

CAST DEVICE BOXES • STANDARD AND HOSTILE LOCATIONS



FRS Type



FST Type

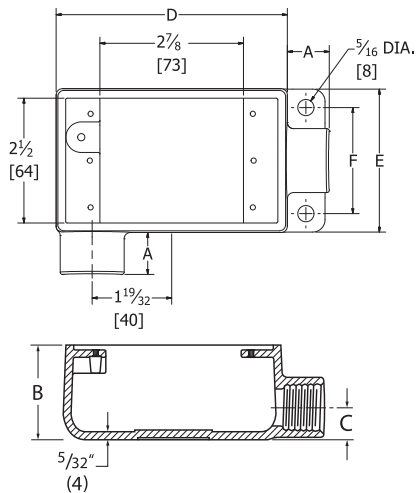
FRS TYPE CAST DEVICE BOX – SHALLOW

CATALOG NUMBER		HUB SIZE	DIMENSIONS							VOLUME CU. IN.
KILLARK ALUM.	DURALOY IRON		A	B	C	D	E	F	G	
FSR-1	FSR-1M	1/2"	7/8" (22)	2" (51)	11/16" (17)	4-5/8" (117)	2-7/8" (73)	2-1/8" (54)	—	18.0
FSR-2	FSR-2M	3/4"	7/8" (22)	2" (51)	11/16" (17)	4-5/8" (117)	2-7/8" (73)	2-1/8" (54)	—	18.0

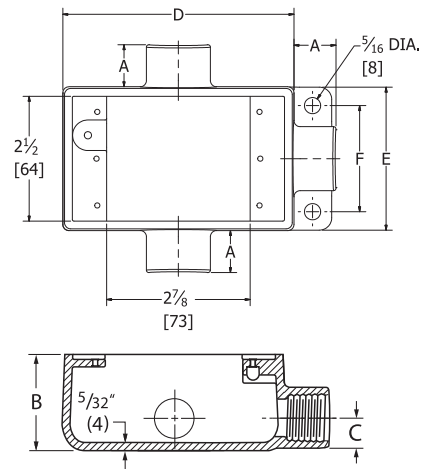
FST TYPE CAST DEVICE BOX – SHALLOW

CATALOG NUMBER		HUB SIZE	DIMENSIONS							VOLUME CU. IN.
KILLARK ALUM.	DURALOY IRON		A	B	C	D	E	F	G	
FST-1	FST-1M	1/2"	7/8" (22)	2" (51)	11/16" (17)	4-5/8" (117)	2-7/8" (73)	2-1/8" (54)	—	18.0
FST-2	FST-2M	3/4"	7/8" (22)	2" (51)	11/16" (17)	4-5/8" (117)	2-7/8" (73)	2-1/8" (54)	—	18.0

DIMENSIONS



FRS



FST

FSX/FSA/FDA/FSLB SERIES



CAST DEVICE BOXES • STANDARD AND HOSTILE LOCATIONS



FSX Type



FSA/FDA Types



FSLB Type

FSX TYPE CAST DEVICE BOX – SHALLOW

CATALOG NUMBER		HUB SIZE	DIMENSIONS							VOLUME CU. IN.
KILLARK ALUM.	DURALOY IRON		A	B	C	D	E	F	G	
FSX-1	FSX-1M	1/2"	7/8" (22)	2" (51)	11/16" (17)	4-5/8" (117)	2-7/8" (73)	2-1/8" (54)	5-3/8" (136)	18.0
FSX-2	FSX-2M	3/4"	7/8" (22)	2" (51)	11/16" (17)	4-5/8" (117)	2-7/8" (73)	2-1/8" (54)	5-3/8" (136)	18.0

FSA TYPE CAST DEVICE BOX – SHALLOW – DEAD END

CATALOG NUMBER	HUB SIZE	DIMENSIONS							VOLUME CU. IN.
KILLARK ALUMINUM		A	B	C	D	E	F	G	
FSA-1	1/2"	7/8" (22)	2" (51)	11/16" (17)	4-5/8" (117)	2-7/8" (73)	—	5-3/8" (136)	18.0
FSA-2	3/4"	7/8" (22)	2" (51)	11/16" (17)	4-5/8" (117)	2-7/8" (73)	—	5-3/8" (136)	18.0

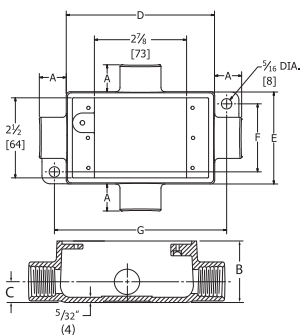
FDA TYPE CAST DEVICE BOX – DEEP – DEAD END

CATALOG NUMBER	HUB SIZE	DIMENSIONS							VOLUME CU. IN.
KILLARK ALUMINUM		A	B	C	D	E	F	G	
FDA-2	3/4"	7/8" (22)	2-7/8" (73)	11/16" (17)	4-5/8" (117)	2-7/8" (73)	—	5-3/8" (136)	28.5

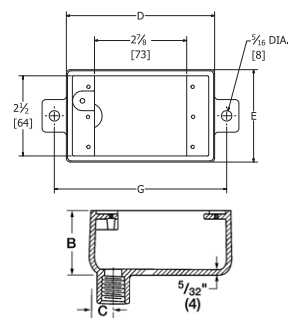
FSLB TYPE CAST DEVICE BOX – SHALLOW – FEED THRU

CATALOG NUMBER	HUB SIZE	DIMENSIONS							VOLUME CU. IN.
KILLARK ALUMINUM		A	B	C	D	E	F	G	
FSLB-1	1/2"	7/8" (22)	2" (51)	11/16" (17)	4-5/8" (117)	2-7/8" (73)	2-1/8" (54)	—	18.0
FSLB-2	3/4"	7/8" (22)	2" (51)	11/16" (17)	4-5/8" (117)	2-7/8" (73)	2-1/8" (54)	—	18.0

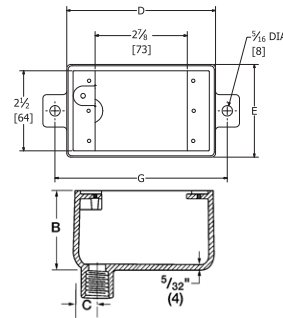
DIMENSIONS



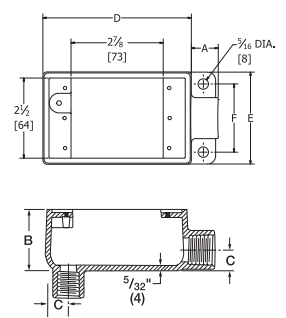
FSX



FSA



FDA



FSLB



FITTINGS

FSS/FSCC/FDCC SERIES

CAST DEVICE BOXES • STANDARD AND HOSTILE LOCATIONS



FSS Type



FDS Type



FSCC Type



FDCC Type

FSS TYPE CAST DEVICE BOX – SHALLOW

CATALOG NUMBER		HUB SIZE	DIMENSIONS							VOLUME CU. IN.
KILLARK ALUM.	DURALOY IRON		A	B	C	D	E	F	G	
FSS-1	FSS-1M	1/2"	7/8" (22)	2" (51)	11/16" (17)	4-5/8" (117)	2-7/8" (73)	—	5-3/8" (136)	18.0
FSS-2	FSS-2M	3/4"	7/8" (22)	2" (51)	11/16" (17)	4-5/8" (117)	2-7/8" (73)	—	5-3/8" (136)	18.0

FDS TYPE CAST DEVICE BOX

CATALOG NUMBER		HUB SIZE	DIMENSIONS							VOLUME CU. IN.
KILLARK ALUM.	DURALOY IRON		A	B	C	D	E	F	G	
FDS-2	FDS-2M	3/4"	7/8" (22)	2-7/8" (73)	11/16" (17)	4-5/8" (117)	2-7/8" (73)	—	5-3/8" (136)	28.5

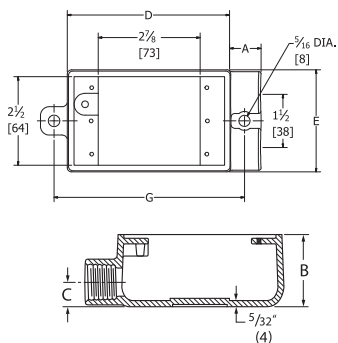
FSCC TYPE CAST DEVICE BOX - SHALLOW

CATALOG NUMBER		HUB SIZE	DIMENSIONS							VOLUME CU. IN.
KILLARK ALUM.	DURALOY IRON		A	B	C	D	E	F	G	
FSCC-1	FSCC-1M	1/2"	7/8" (22)	2" (51)	11/16" (17)	4-5/8" (117)	2-7/8" (73)	2-1/8" (54)	5-3/8" (136)	18.0
FSCC-2	FSCC-2M	3/4"	7/8" (22)	2" (51)	11/16" (17)	4-5/8" (117)	2-7/8" (73)	2-1/8" (54)	5-3/8" (136)	18.0

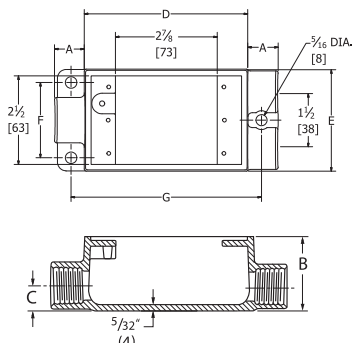
FDCC TYPE CAST DEVICE BOX – DEEP

CATALOG NUMBER		HUB SIZE	DIMENSIONS							VOLUME CU. IN.
KILLARK ALUM.	DURALOY IRON		A	B	C	D	E	F	G	
FDCC-2	FDCC-2M	3/4"	7/8" (22)	2-7/8" (73)	11/16" (17)	4-5/8" (117)	2-7/8" (73)	2-1/8" (54)	5-3/8" (136)	28.5

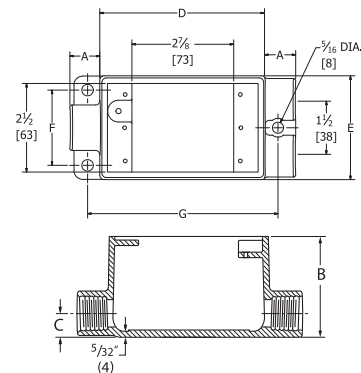
DIMENSIONS



FSS



FSCC



FDCC



CAST DEVICE BOXES • STANDARD AND HOSTILE LOCATIONS



2FS Type

2FSC Type

2FD Type

2FDC Type

2FSD Type

2FS TYPE CAST DEVICE BOX TWO GANG – SHALLOW WITH MOUNTING LUGS

CATALOG NUMBER		HUB SIZE	DIMENSIONS							VOLUME CU. IN.
KILLARK ALUM.	DURALOY IRON		A	B	C	D	E	F	G	
2FS-1	2FS-1M	1/2"	7/8" (22)	2" (51)	11/16" (17)	4-5/8" (117)	4-11/16" (119)	2-1/8" (54)	5-3/8" (136)	32.0
2FS-2	2FS-2M	3/4"	7/8" (22)	2" (51)	11/16" (17)	4-5/8" (117)	4-11/16" (119)	2-1/8" (54)	5-3/8" (136)	32.0
2FS-3	2FS-3M	1"	7/8" (22)	2" (51)	11/16" (17)	4-5/8" (117)	4-11/16" (119)	2-1/8" (54)	5-3/8" (136)	32.0

2FD TYPE CAST DEVICE BOX TWO GANG – DEEP WITH MOUNTING LUGS

2FD-1	2FD-1M	1/2"	7/8" (22)	2-15/16" (75)	11/16" (17)	4-5/8" (117)	4-11/16" (119)	2-1/8" (54)	5-3/8" (136)	47.0
2FD-2	2FD-2M	3/4"	7/8" (22)	2-15/16" (75)	11/16" (17)	4-5/8" (117)	4-11/16" (119)	2-1/8" (54)	5-3/8" (136)	47.0

2FSC TYPE CAST DEVICE BOX TWO GANG – SHALLOW WITH MOUNTING LUGS

2FSC-1	2FSC-1M	1/2"	7/8" (22)	2" (51)	11/16" (17)	4-5/8" (117)	4-11/16" (119)	2-1/8" (54)	5-3/8" (136)	32.0
2FSC-2	2FSC-2M	3/4"	7/8" (22)	2" (51)	11/16" (17)	4-5/8" (117)	4-11/16" (119)	2-1/8" (54)	5-3/8" (136)	32.0

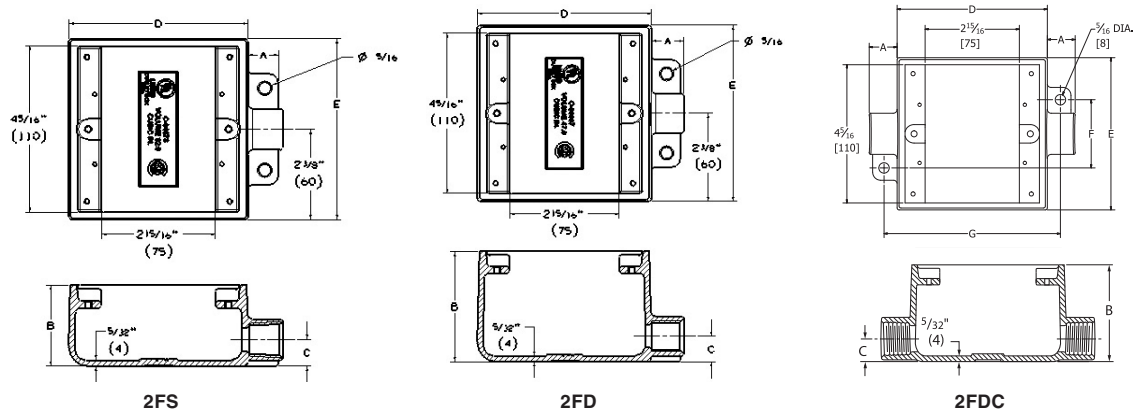
2FDC TYPE CAST DEVICE BOX TWO GANG – DEEP WITH MOUNTING LUGS

2FDC-1	2FDC-1M	1/2"	7/8" (22)	2-15/16" (75)	11/16" (17)	4-5/8" (117)	4-11/16" (119)	2-1/8" (54)	5-3/8" (136)	50.0
2FDC-2	2FDC-2M	3/4"	7/8" (22)	2-15/16" (75)	11/16" (17)	4-5/8" (117)	4-11/16" (119)	2-1/8" (54)	5-3/8" (136)	50.0

2FSD TYPE CAST DEVICE BOX TWO GANG – SHALLOW WITH MOUNTING LUGS

2FSD-1	2FSD-1M	1/2"	7/8" (22)	2" (51)	11/16" (17)	4-5/8" (117)	4-11/16" (119)	2-1/8" (54)	-	32.0
2FSD-2	2FSD-2M	3/4"	7/8" (22)	2" (51)	11/16" (17)	4-5/8" (117)	4-11/16" (119)	2-1/8" (54)	-	32.0

DIMENSIONS





FITTINGS

FSCA/FSCT SERIES

CAST DEVICE BOXES • STANDARD AND HOSTILE LOCATIONS



FSCA Type



FSCT Type

UL Standard: 514A
 CSA Standard: C22.2 No. 18
 Fed Spec: W-C-586D
 NEMA: FB-1

UL LISTED E 3397

CSB Certified LR11852

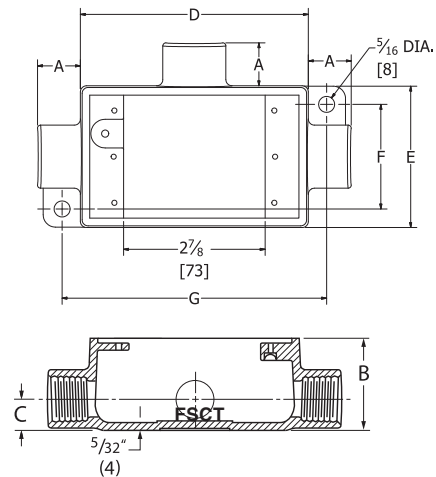
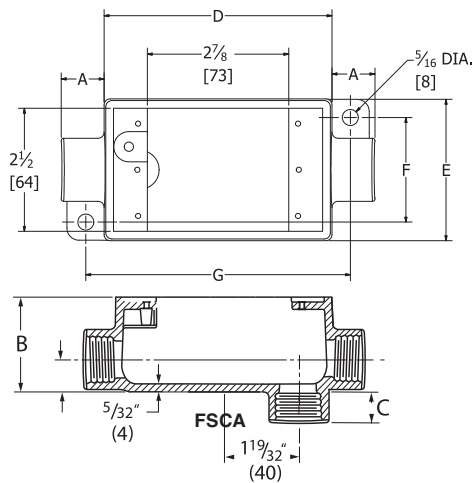
FSCA TYPE CAST DEVICE BOX – SHALLOW

CATALOG NUMBER		HUB SIZE	DIMENSIONS							VOLUME CU. IN.
KILLARK ALUM.	DURALLOY IRON		A	B	C	D	E	F	G	
FSCA-1	FSCA-1M	1/2"	7/8" (22)	2" (51)	11/16" (17)	4-5/8" (117)	2-7/8" (73)	2-1/8" (54)	5-3/8" (136)	18.0
FSCA-2	FSCA-2M	3/4"	7/8" (22)	2" (51)	11/16" (17)	4-5/8" (117)	2-7/8" (73)	2-1/8" (54)	5-3/8" (136)	18.0

FSCT TYPE CAST DEVICE BOX – SHALLOW

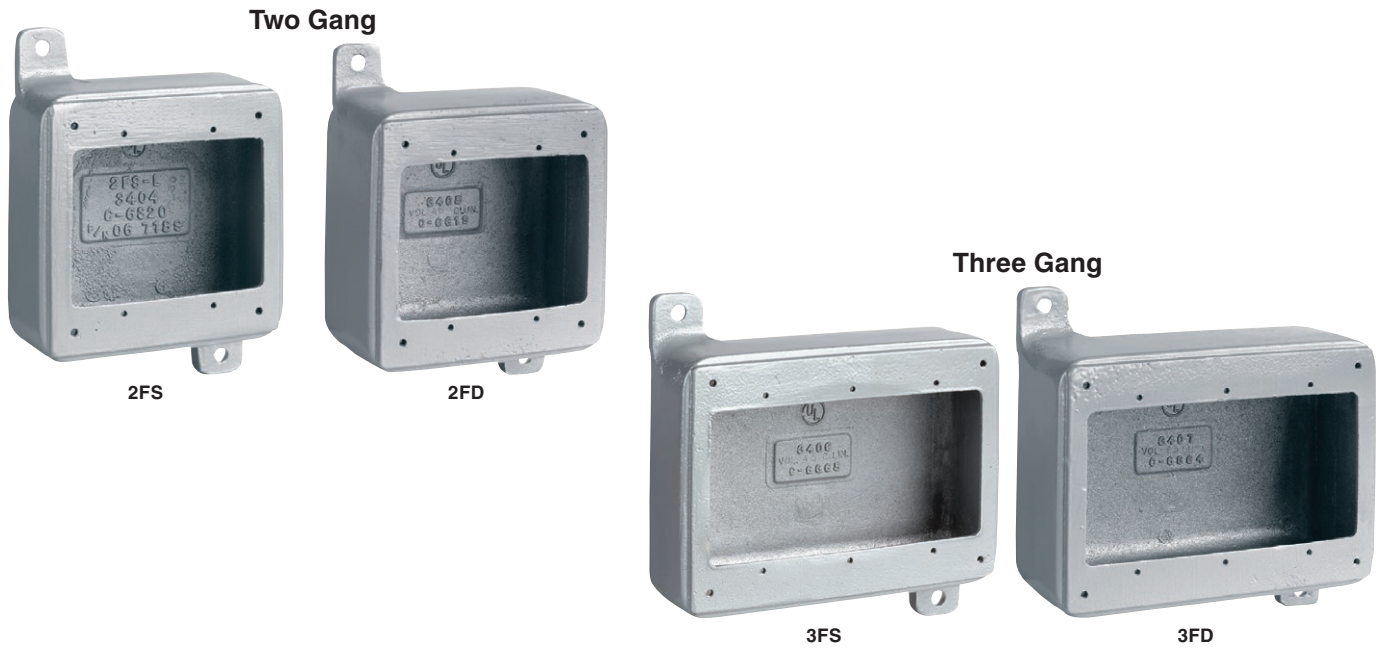
CATALOG NUMBER		HUB SIZE	DIMENSIONS							VOLUME CU. IN.
KILLARK ALUM.	DURALLOY IRON		A	B	C	D	E	F	G	
FSCT-1	FSCT-1M	1/2"	7/8" (22)	2" (51)	11/16" (17)	4-5/8" (117)	2-7/8" (73)	2-1/8" (54)	5-3/8" (136)	18.0
FSCT-2	FSCT-2M	3/4"	7/8" (22)	2" (51)	11/16" (17)	4-5/8" (117)	2-7/8" (73)	2-1/8" (54)	5-3/8" (136)	18.0

DIMENSIONS





CAST DEVICE BOXES • STANDARD AND HOSTILE LOCATIONS



FEATURES-SPECIFICATIONS

Features

- Internal grounding screw
- Suitable for use in wet locations when used with gasket covers

Materials

- Copper-free Aluminum (less than 1/100 of 1%)
 - » Electrostatically applied powder coating

Conduit Opening Data

- To specify conduit openings select the letter on these sketches which indicates the position desired. Follow this letter with the symbol indicating the type and size.
 - » Example: 2FS-A2-E2



FITTINGS

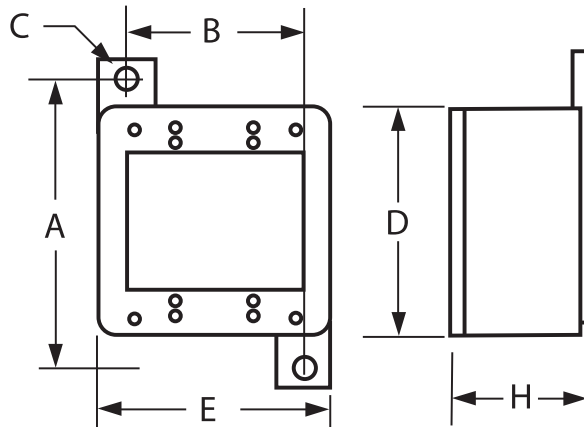
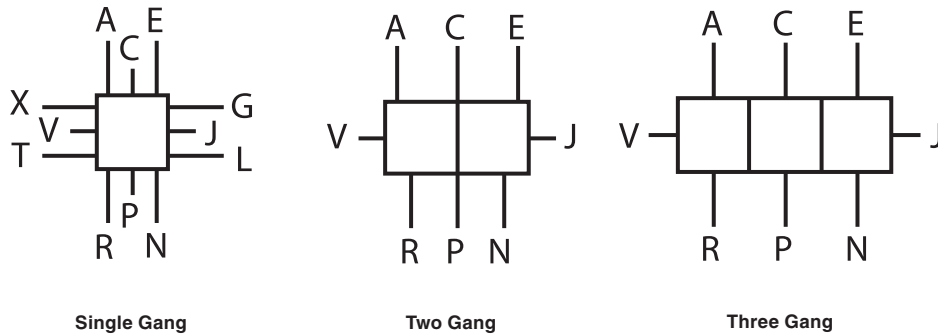
2 & 3 FS/FD SERIES

CAST DEVICE BOXES • STANDARD AND HOSTILE LOCATIONS

FS/FD MULTI GANG BOXES ^①						
SERIES	A	B	C	D	E	H
FSQ	3-3/4" (95)	3-9/16" (90)	1/4" (6)	4-9/16" (116)	2-13/16" (71)	2" (51)
2FS	6-3/16" (157)	3-3/4" (95)	9/32" (7)	4-7/8" (124)	4-15/16" (125)	2" (51)
3FS	6-3/16" (157)	5-3/4" (146)	9/32" (7)	4-7/8" (124)	6-3/4" (125)	2" (51)
FDQ	3-3/4" (95)	3-9/16" (90)	1/4" (6)	4-9/16" (116)	2-13/16" (71)	2-7/8" (73)
2FD	6-3/16" (157)	3-3/4" (95)	9/32" (7)	4-7/8" (124)	4-15/16" (125)	2-7/8" (73)
3FD	6-3/16" (157)	5-3/4" (146)	9/32" (7)	4-7/8" (124)	6-3/4" (125)	2-7/8" (73)

FS/FD/FSQ/FDQ CONDUIT OPENING AND SYMBOL IDENTIFICATION		
FOR CONDUIT SIZE	THREADED SYMBOL NUMBER	UNION ^① SYMBOL NUMBER
1/2"	1	11
3/4"	2	12
1"	3	13
1-1/4"	4	14
1-1/2"	5	15

^① Union hubs are supplied by using a drilled and tapped opening with GUM Series union on 1/2", 3/4", 1", 1-1/4" and 1-1/2" sizes.





CUSTOM DRILLED & TAPPED DEVICE BOXES • STANDARD AND HOSTILE LOCATIONS

Single Gang



FDQ

Two Gang



2FDQ

Three Gang



3FDQ

Four Gang



4FDQ

FEATURES-SPECIFICATIONS

Features

- FSQ and FDQ series boxes are made with individual cover openings so any combination of devices may be assembled
- Any assembly is suitable for wet and damp locations when it consists of these boxes and a cover suitable for wet and damp locations
- To specify conduit opening combination select the letter on the sketch which indicates the position of the opening desired. Follow this letter with the symbol indicating the type of opening-threaded, threadless or union

Maximum Conduit Opening Size

- » FS-½" thru 1"
- » FD-½" thru 1-½"

Conduit Opening Data

- To specify conduit openings select the letter on these sketches which indicates the position desired. Follow this letter with the symbol indicating the type and size.
 - » Example: 2FS-A2-E2-J13
- All conduit openings will be evenly spaced. When they are to be more accurately located, submit a sketch with spacing dimensions.
- Dimensions should be oriented from center lines of body and outside back of body.
- FS and FSQ box will take drilled and tapped openings thru 1".
- FD and FDQ box will take drilled and tapped openings thru 1-½".

Materials

Copper-free Aluminum (less than ¼ of 1%)

- Electrostatically applied powder coating



FITTINGS

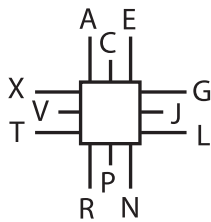
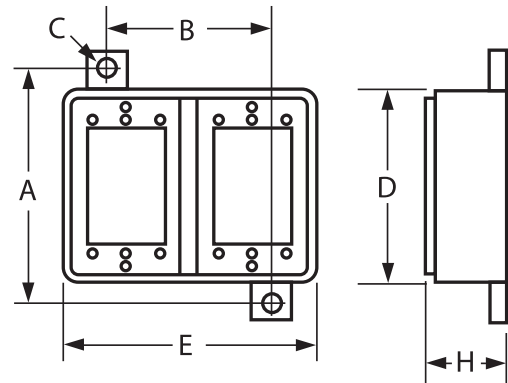
FSQ/FDQ SERIES

CUSTOM DRILLED & TAPPED DEVICE BOXES • STANDARD AND HOSTILE LOCATIONS

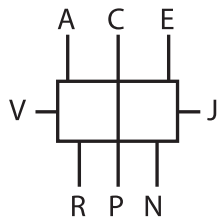
FS/FD MULTI GANG BOXES ^①						
SERIES	A	B	C	D	E	H
FSQ	FSQ 3-3/4" (95)	3-9/16" (90)	1/4" (6)	4-9/16" (116)	2-13/16" (71)	2" (51)
3FSQ	6-1/8" (156)	7-1/2" (191)	5/16" (8)	4-15/16" (125)	9-13/16" (249)	2" (51)
FDQ	3-3/4" (95)	3-9/16" (90)	1/4" (6)	4-9/16" (116)	2-13/16" (71)	2-7/8" (73)
2FDQ	6-3/16" (157)	4-7/16" (113)	5/16" (8)	4-7/8" (124)	6-7/16" (164)	2-7/8" (73)
3FDQ	5-7/8" (149)	7-9/16" (192)	5/16" (8)	4-15/16" (125)	9-13/16" (249)	2-7/8" (73)
4FDQ	5-7/8" (149)	10-13/16" (275)	5/16" (8)	4-15/16" (125)	13-1/8" (333)	2-7/8" (73)

FS/FD/FSQ/FDQ CONDUIT OPENING AND SYMBOL IDENTIFICATION		
FOR CONDUIT SIZE	THREADED SYMBOL NUMBER	UNION ^① SYMBOL NUMBER
1/2"	1	11
3/4"	2	12
1"	3	13
1-1/4"	4	14
1-1/2"	5	15

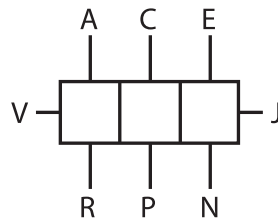
^① Union hubs are supplied by using a drilled and tapped opening with GUM Series union on 1/2", 3/4", 1", 1-1/4" and 1-1/2" sizes.



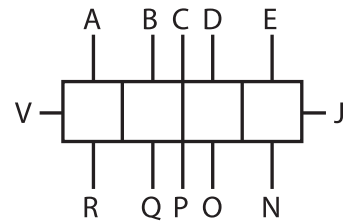
Single Gang



Two Gang



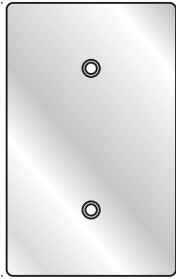
Three Gang



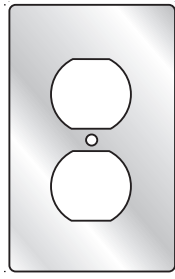
Four Gang



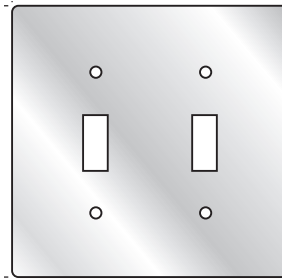
DEVICE BOX COVERS • STANDARD AND HOSTILE LOCATIONS



1FB Type



1FA Type



2FT Type

UL LISTED File No. E 3397

SF Certified File No. LR11852

FEATURES-SPECIFICATIONS

- Stamped metallic covers with or without electrostatically applied powder coating
- Gaskets to be ordered separately
- Hardware included

Material:

- Stamped Aluminum

SINGLE GANG		
CATALOG NUMBER		
WITH COATING	WITHOUT COATING	
Blank for Single Gang Boxes		
1FBC	1FB	
1 Toggle Switch		
1FTC	1FT	
1 Duplex Receptacle		
1FAC	1FA	
1-13/32" Opening Round Receptacle		
1FRC	1FR	
1-5/8" Opening Round Receptacle		
1FGC	1FG	

TWO GANG		
CATALOG NUMBER		
WITH COATING	WITHOUT COATING	
Blank for Two Gang Boxes		
2FBC	2FB	
2 Toggle Switches		
2FTC	2FT	
2 Duplex Receptacles		
2FAC	2FA	
Toggle Switch & Duplex Receptacle		
2FTAC	2FTA	
1-13/32" Openings 2 Round Receptacles		
2FRC	2FR	
1-5/8" Opening Round 2 Round Receptacles		
2FGC	2FG	

THREE GANG		
CATALOG NUMBER	DESCRIPTION	
3FB	Blank for 3 Gang Boxes	
3FT	3 Toggle Switches	
3FA	3 Duplex Receptacles	

REPLACEMENT GASKETS FOR COVERS (NEOPRENE RUBBER)		
CATALOG NUMBER	DESCRIPTION	
FSRG	Neoprene Gaskets for Single Gang Boxes	
2FSRG	Neoprene Gaskets for 2 Gang Boxes	
3FSRG	Neoprene Gaskets for 3 Gang Boxes	



FITTINGS

FZ/FCL-GF/FST SERIES

DEVICE BOX COVERS • STANDARD AND HOSTILE LOCATIONS



FZ8647



FCL-GF Type



FST Type

File No. E 3397

Certified File No. LR11852

FEATURES-SPECIFICATIONS

- Cast metallic covers with electrostatically applied powder coating

CAST DEVICE COVERS – SINGLE GANG (GASKETS INCLUDED)			CAST DEVICE COVERS – SINGLE GANG (GASKETS INCLUDED)			CAST DEVICE COVERS – TWO AND THREE GANG (GASKETS INCLUDED)		
CATALOG NUMBER	DESCRIPTION		CATALOG NUMBER	DESCRIPTION		CATALOG NUMBER	DESCRIPTION	
FSBC	Blank for Single Gang Boxes		FCLA	Duplex Receptacle		2FSBC	Blank for 2 Gang Boxes	
FSBCM	Iron Blank for Single Gang Boxes			FCLT	Toggle Switch		2FSBCM	
FZ8648	Square Toggle Lock in ON or OFF Position		FCLR	Round Receptacle 1.406" Dia.		2FST	2 Toggle Switches	
FZ8647	Square Toggle (Long Throw – Such as Manual Starters)			FCLG		Round Receptacle 1.625" Dia.	3FST	3 Toggle Switches
FST	1 Toggle Switch		FCLM	Round Receptacle 1.750" Dia.		3FSBC	Blank for 3 Gang Boxes	
FSPT	For Toggle Switch		FCLN	Round Receptacle 2.156" Dia.				
FSTG	Toggle Switch Guarded		FCL-GF	Device Cover for Most Manufacturers' GFI Devices Includes Gaskets and Screws		<p>FCLA2 Duplex Wall Plate for horizontal mounting on FS/FD Boxes. Cast aluminum, gasketed and self-closing. Listed for wet locations with cover open in continuous use.</p>		
			FCL-VG	Replacement Vellumoid Gasket				



DEVICE BOX ACCESSORIES • STANDARD AND HOSTILE LOCATIONS



FCL-GF



FZ-8647

FEATURES-SPECIFICATIONS

**FCL
 DEVICE COVERS
 (FOR GFI RECEPTACLES)**

Features

- May be used with several different manufacturers' GFI devices
- Mounts on all FS, FD, FSQ and FDQ Series boxes (single opening)
- Snap type lid. UL/CSA suitable for wet locations.
- Gaskets included

FZ

Features

- Copper-free aluminum
- Gaskets included
- Three toggle operator choices
- Lock "ON" or "OFF" provision standard
- Stainless steel screws
- Mounts on all FS, FD, FSQ and FDQ Series boxes (single opening)

CATALOG NUMBER	ITEM
FCL-GF	Device cover includes gaskets and screws
FCL-VG	Replacement Vellumoid gasket

CATALOG NUMBER	TYPE OF TOGGLE SWITCH HANDLE
FZ8648	Square toggle
FZ8647	Square toggle (Long throw-such as manual starters)
FZ	Round toggle

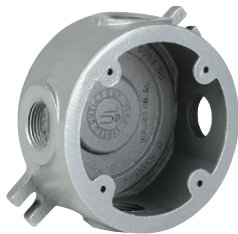


FITTINGS VJ SERIES

OUTLET BOXES • STANDARD AND HOSTILE LOCATIONS



VLJSX Shallow



VLJX Medium



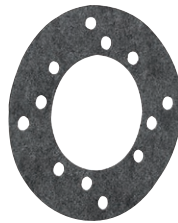
VLJDX Deep



VJBC Blank Cover



VJH-1 or VJH-2 Hub Cover



VBNB Gasket

 - File E30107 and E3397

 - File LR11852

FEATURES-SPECIFICATIONS

Features

- Cover mounting centers are 3-1/2" and will accommodate 4" round or octagonal box covers and devices. Screw holes are 8-32 size
- VJ Series are furnished with four "X" conduit openings and three close-up plugs
- Gaskets are required for wet and damp locations
- Complies with Type 3, 4 and IPx6 (when gasketed)
- Supports up to 125 pounds
- Ground screw provided as standard

Materials

Aluminum

- **BODY/COVER** Copper-free aluminum (less than 1/10 of 1%)
- **FINISH** Electrostatically applied powder coating

Iron

- **BODY** Duraloy iron alloy
- **FINISH** Tri-Coat Finish of Electro zinc, Chromate Sealant, and electrostatically applied powder coating
- **COVER** (Aluminum) Copper-free aluminum (less than 1/10 of 1%). Electrostatically applied powder coating



OUTLET BOXES • STANDARD AND HOSTILE LOCATIONS

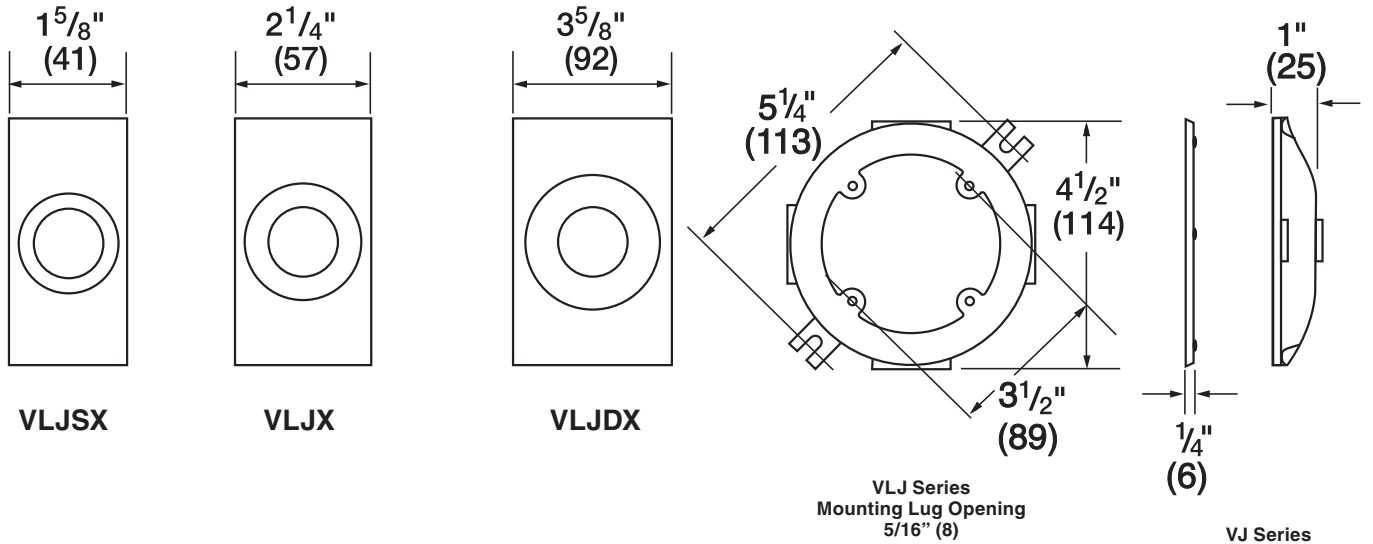
BOXES WITH LUGS						
CATALOG NUMBER					CONDUIT SIZE	HUB ARRANGEMENT
SHALLOW 1-5/8" (41)		MEDIUM 2-1/4" (57)		DEEP 3-5/8" (92)		
KILLARK ALUM.	DURALOY IRON	KILLARK ALUM.	DURALOY IRON	KILLARK ALUM.		
VLJSX-1	VLJSX-1M	VLJX-1	VLJX-1M	-	1/2"	x
VLJSX-2	VLJSX-2M	VLJX-2	VLJX-2M	VLJDX-2	3/4"	x
-	-	VLJX-3	VLJX-3M	VLJDX-3	1"	x

Note: Cover and gasket not included.

BACK CONDUIT OPENINGS		
SERIES	MAXIMUM CONDUIT SIZE	VOLUME CUBIC INCHES
Shallow	3/4"	17
Medium	1"	25
Deep	1-1/4"	45

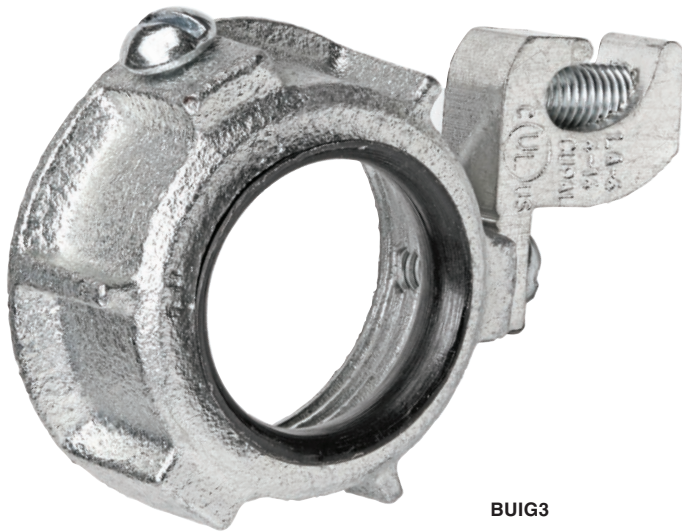
Note: Must be drilled and tapped.

COVERS AND GASKETS			
CATALOG NUMBER	HUB SIZE	DEPTH	DESCRIPTION
VJBC	-	1/4"	Blank cover furnished with mounting screws. Gasket not included
VJH-1	1/2"	1"	Hub cover furnished with mounting screws. Gasket not included
VJH-2	3/4"	1"	Hub cover furnished with mounting screws. Gasket not included
VBNB	-	-	Gasket Nitrile Butadiene





FITTINGS RIGID/IMC



BUIG3



FEATURES-SPECIFICATIONS

Features

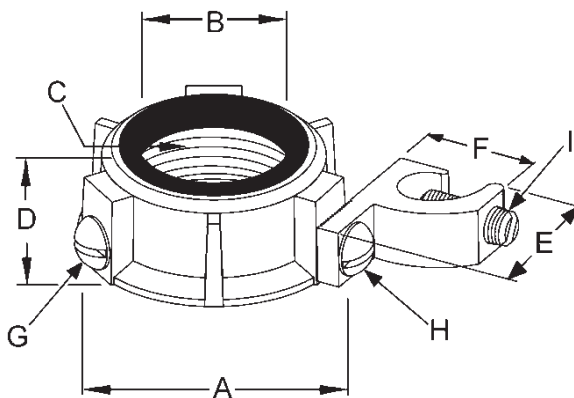
- Lay-in lug style provides an easy means of inserting a ground wire
- Dual rated aluminum grounding lugs may be used with copper or aluminum grounding conductors
- Insuliner temperature rated at 150°C
- Malleable construction insures mechanical protection for the raceway
- Zinc electro plated for corrosion protection



MALLEABLE IRON-INSULATED GROUNDING BUSHINGS

INSULATED GROUNDING BUSHINGS – LAY-IN LUG – MALLEABLE IRON				
CATALOG NUMBER	TRADE SIZE	SHIP CTN QTY	GROUNDING WIRE CAPACITY	
			MIN.	MIN.
BUIG1	1/2"	50	#14 Sol.	#4 Str.
BUIG2	3/4"	50	#14 Sol.	#4 Str.
BUIG3	1"	50	#14 Sol.	#4 Str.
BUIG4	1-1/4"	25	#14 Sol.	#4 Str.
BUIG5	1-1/2"	10	#14 Sol.	#2 Str.
BUIG6	2"	10	#14 Sol.	#2 Str.
BUIG7	2-1/2"	10	#6 Str.	250 MCM
BUIG8	3"	5	#6 Str.	250 MCM
BUIG9	3-1/2"	5	#6 Str.	250 MCM
BUIG10	4"	5	#6 Str.	250 MCM
BUIG11	5"	5	#6 Str.	250 MCM
BUIG12	6"	5	#6 Str.	250 MCM

DIMENSIONS									
CATALOG NUMBER	A	B	C	D	E	F	G SET SCREW	H PAN HEAD SCREW	I SET SCREW
BUIG1	1-5/32"	7/16"	1/2"-14 NPS	3/4"	1-1/16"	3/4"	10-32 x 1/4"	10-32 x 1/4"	14-28 x 5/8"
BUIG2	1-13/32"	11/16"	3/4"-14 NPS	3/4"	1-1/16"	3/4"	10-32 x 1/4"	10-32 x 1/4"	14-28 x 5/8"
BUIG3	1-3/4"	15/16"	1"-11-1/2 NPS	3/4"	1-1/16"	3/4"	10-32 x 1/4"	10-32 x 1/4"	14-28 x 5/8"
BUIG4	2-1/8"	1-3/16"	1-1/4"-11-1/2 NPS	3/4"	1-1/16"	3/4"	10-32 x 1/4"	10-32 x 1/4"	14-28 x 5/8"
BUIG5	2-11/32"	1-7/16"	1-1/2"-11-1/2 NPS	3/4"	1-3/8"	15/16"	5/16-24 x 17/32"	5/16-24 x 17/32"	5/16-28 x 5/8"
BUIG6	2-23/32"	1-15/16"	2"-11-1/2 NPS	3/4"	1-3/8"	15/16"	5/16-24 x 17/32"	5/16-24 x 17/32"	5/16-28 x 5/8"
BUIG7	3-9/32"	2-3/16"	2-1/2"-8 NPS	1-3/8"	2-1/4"	1-3/4"	5/16-24 x 7/16"	5/16-24 X17/32"	9/16-18 x 1-1/4"
BUIG8	3-7/8"	2-15/16"	3"-8 NPS	1-3/8"	2-1/4"	1-3/4"	5/16-24 x 7/16"	5/16-24 x 17/32"	9/16-18 x 1-1/4"
BUIG9	4-13/32"	3-7/16"	3-1/2"-8 NPS	1-3/8"	2-1/4"	1-3/4"	5/16-24 x 7/16"	5/16-24 x 17/32"	9/16-18 x 1-1/4"
BUIG10	4-29/32"	3-7/8"	4"-8 NPS	1-3/8"	2-1/4"	1-3/4"	5/16-24 x 7/16"	5/16-24 x 17/32"	9/16-18 x 1-1/4"
BUIG11	6-1/8"	4-7/8"	5"-8 NPS	1-3/8"	2-1/4"	1-3/4"	5/16-24 x 7/16"	5/16-24 x 17/32"	9/16-18 x 1-1/4"
BUIG12	7-3/16"	5-7/8"	6"-8 NPS	1-3/8"	2-1/4"	1-3/4"	5/16-24 x 7/16"	5/16-24 x 17/32"	9/16-18 x 1-1/4"



- A = O.D.
- B = I.D
- C = Thread size
- D = Thickness
- E = Height of lug
- F = Width of lug
- G = Screw spec, bonding screw
- H = Screw spec, screw that holds lug to bushing
- I = Screw spec, screw that holds ground wire



FITTINGS WH SERIES

CONDUIT HUBS



WH



WH with Ground

Suitable for use in hazardous location applications when installed according to NEC Articles 501.10(b), Class I, Div. 2, (Suitable for use in Class I Zone 2 applications) 502.10, 503.10 and 505-15. Suitable for use with Type enclosures 2, 3, 3R, 4, 4x 12 and 13.

 LISTED E22699

 Certified 702865

FEATURES-SPECIFICATIONS

Features

- Oversized locknut provides for a strong vibration-proof termination
- Captive sealing ring
- Serrations on hub body and locknut provide effective positive ground path
- Insulated throat protects conductors

Materials

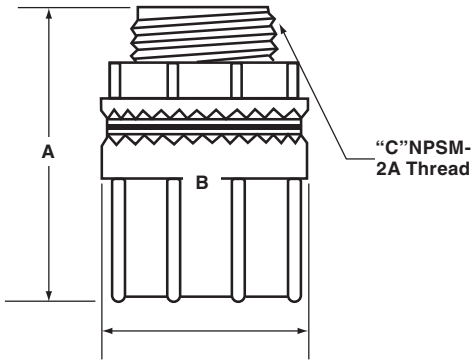
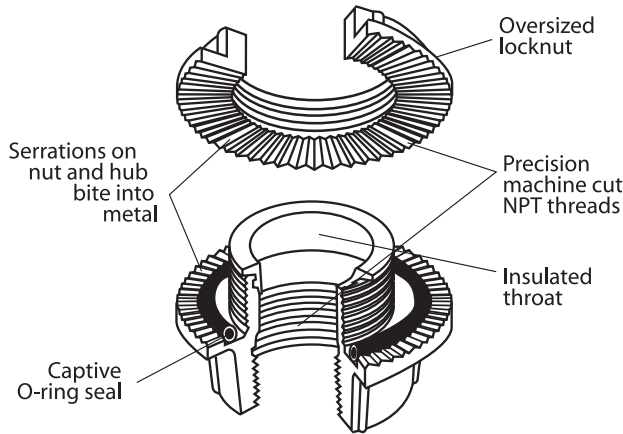
- Die cast zinc or Die cast aluminum
- Natural finish
- GASKET – Viton
- Sealing ring – Buna-N



CONDUIT HUBS

NPT HUB SIZE	DIE CAST ZINC WH WEATHERPROOF CONDUIT HUBS		DIE CAST ALUMINUM WH WEATHERPROOF CONDUIT HUBS	
	CATALOG NO. W/O GROUND	CATALOG NO. WITH GROUND	CATALOG NO. W/O GROUND	CATALOG NO. WITH GROUND
1/2"	WH-1	WH-1G	WH-1A	WH-1AG
3/4"	WH-2	WH-2G	WH-2A	WH-2AG
1"	WH-3	WH-3G	WH-3A	WH-3AG
1-1/4"	WH-4	WH-4G	WH-4A	WH-4AG
1-1/2"	WH-5	WH-5G	WH-5A	WH-5AG
2"	WH-6	WH-6G	WH-6A	WH-6AG
2-1/2"	WH-7	WH-7G	WH-7A	WH-7AG
3"	WH-8	WH-8G	WH-8A	WH-8AG
3-1/2"	WH-9	WH-9G	WH-9A	WH-9AG
4"	WH-0	WH-0G	WH-0A	WH-0AG

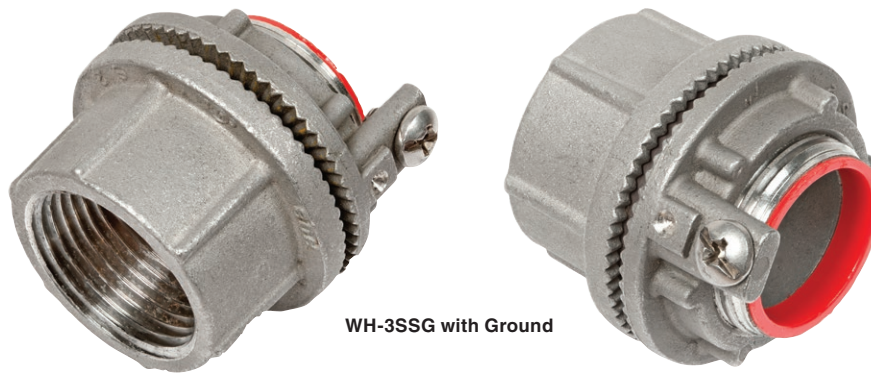
CATALOG NUMBER	DIMENSIONS		
	A	B	C
WH-1	1.500"	1.437"	1/2"-14
WH-2	1.510"	1.685"	3/4"-14
WH-3	1.812"	1.921"	1"-11-1/2
WH-4	1.877"	2.370"	1-1/4"-11-1/2
WH-5	1.920"	2.745"	1-1/2"-11-1/2
WH-6	1.895"	3.236"	2"-11-1/2
WH-7	2.605"	3.708"	2-1/2"-8
WH-8	2.615"	4.370"	3"-8
WH-9	2.570"	4.941"	3-1/2"-8
WH-0	2.590"	5.450"	4"-8





FITTINGS WH SERIES

CONDUIT HUBS



WH-3SSG with Ground

Suitable for use in hazardous location applications when installed according to NEC Articles 501.10(b), Class I, Div. 2, (Suitable for use in Class I Zone 2 applications) 502.10, 503.10 and 505-15. Suitable for use with Type enclosures 2, 3, 3R, 4, 4x 12 and 13.

 Certified 702865

FEATURES-SPECIFICATIONS

Features

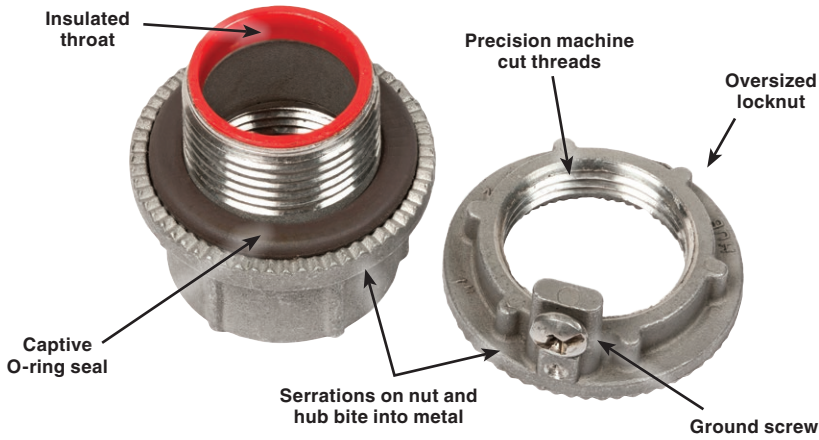
- Oversized locknut provides for a strong vibration-proof termination
- Captive sealing ring
- Serrations on hub body and locknut provide effective positive ground path
- Rugged 316 Stainless Steel
- Insulated throat protects conductors
- Suitable for use with NEMA type enclosures 2, 3, 3R, 4, 4x, 12 and 13
- Grounding provision for added safety

Materials

- Nut and body 316 Stainless Steel
- Natural finish
- Sealing ring gasket - Viton
- Insuliner - Lexan
- Ground screw - stainless steel



CONDUIT HUBS

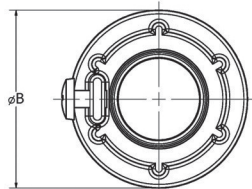


WH WEATHERPROOF CONDUIT HUBS			
CATALOG NUMBER	FEMALE NPT HUB SIZE	MAX. COPPER ^① GROUND WIRE SIZE	
WH-1SSG	1/2"	#8	#8
WH-2SSG	3/4"	#8	#8
WH-3SSG	1"	#8	#8
WH-4SSG	1-1/4"	#8	#8
WH-5SSG	1-1/2"	#8	#6
WH-6SSG	2"	#8	#4
WH-7SSG	2-1/2"	#6	#2
WH-8SSG	3"	#6	1/0
WH-9SSG	3-1/2"	#6	2/0
WH-0SSG	4"	#4	2/0

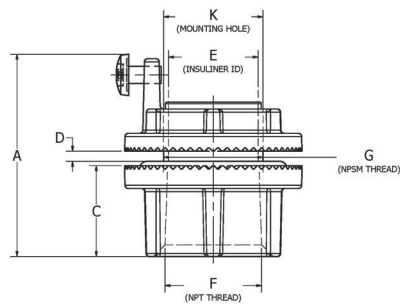
^① Use of wire terminal is recommended by UL and required by CSA for wire gauges over 10 AWG

DIMENSIONS

CAT. NUMBER	HUB SIZE	A	B	C	D	Ø E		F (NPT)	G (NPSM)	Ø K	
						MIN.	MAX.			MIN.	MAX.
WH-1SSG	1/2"	1-3/4" (44.45)	1-7/16" (36.51)	13/16" (20.64)	3/16" (4.76)	0.575	0.590	1/2"	1/2"	0.850	0.875
WH-2SSG	3/4"	2-1/16" (52.38)	1-11/16" (42.86)	57/64" (22.62)	3/16" (4.76)	0.780	0.800	3/4"	3/4"	1.060	1.090
WH-3SSG	1"	2-1/4" (57.15)	2" (50.8)	1-3/64" (26.59)	1/4" (6.35)	0.990	1.010	1"	1"	1.320	1.350
WH-4SSG	1-1/4"	2-9/32" (57.94)	2-3/8" (60.32)	1-1/32" (26.19)	1/4" (6.35)	1.270	1.290	1-1/4"	1-1/4"	1.660	1.690
WH-5SSG	1-1/2"	2-19/64" (58.30)	2-3/4" (69.85)	1-1/64" (25.79)	1/4" (6.35)	1.480	1.500	1-1/2"	1-1/2"	1.900	1.930
WH-6SSG	2"	2-25/64" (60.70)	3-1/4" (82.55)	1-3/32" (27.78)	1/4" (6.35)	1.930	1.950	2"	2"	2.380	2.410
WH-7SSG	2-1/2"	3-3/16" (80.90)	3-11/16" (93.66)	1-17/32" (38.89)	1/4" (6.35)	2.230	2.250	2-1/2"	2-1/2"	2.870	2.900
WH-8SSG	3"	3-3/16" (80.90)	4-19/64" (109.14)	1-17/32" (38.89)	1/4" (6.35)	2.870	2.890	3"	3"	3.490	3.520
WH-9SSG	3-1/2"	3-13/64" (81.36)	5" (127.00)	1-19/32" (40.48)	1/4" (6.35)	3.300	3.320	3-1/2"	3-1/2"	3.990	4.020
WH-0SSG	4"	3-5/32" (80.20)	5-15/32" (138.90)	1-17/32" (38.89)	1/4" (6.35)	3.750	3.770	4"	4"	4.500	4.530



"D" Dimension indicates maximum panel thickness hub will accommodate.





FITTINGS

SPARTAN POLE

34% of all industrial electrical incidents can be attributed to poor facility lighting. To combat this, minimum light levels in industrial settings have been established by OSHA/HSE and serve as an integral part of any facilities' safety and inspection protocols. On average, 33% of the fixtures currently in service fail to meet these standards and are in need of replacing or retrofitting with LED equipment.

In today's industrial industries, replacing or retrofitting light fixtures can be a tasking and time-consuming exercise. The Spartan Pole series is here to offer a solution. The Spartan Pole allows for a safe and easy access to pole mounted light fixtures through its ability to retract for service. Lowering the fixture to a serviceable level, rather than travelling up to the fixture, alleviates the need to rent or purchase the expensive fall arrest or lift systems required to comply with OSHA/HSE working height standards.





Coupler

Hinge

Hinge JB

Suitable for use in Class I div. 2
when installed in accordance to
NEC 501.

Type 3R
Rated 250mph

 E27731



FEATURES-SPECIFICATIONS

Applications

- For luminaires and other electrical devices mounted on poles in industrial walkways, platforms, stairwells, or anywhere OSHA/HSE regulations would require fall prevention equipment
- For safe and easy service to existing or new installation of lighting poles

Features

- Three pole mounting options available for various applications
- Retrofittable to existing stanchion poles – No need to replace any conduit runs
- Spartan Hinge and Hinge Junction Box designed with mechanical cam system allowing a free hand to aid the pole down with ease
- Spartan Coupler and Hinge Junction Box allow access for splicing wire or installing electrical devices
- Cam shaft design allows minimal exertion necessary to lower pole
- Certified and tested to 250mph wind speeds
- Certified up to 50lb fixtures

Materials

- Spartan Hinge: Aluminum, HDG Iron, Stainless Steel
- Spartan Hinge JB: Aluminum, HDG Iron, Stainless Steel
- Spartan Coupler: Aluminum



FITTINGS

SPARTAN POLE

Killark VM LED series with 90- or 25-degree stanchion mounting options for various optics

Spartan Pole Series can be rotated 360° to accommodate the desired 90° bend if spacing is limited

Cam shaft design for effortless lowering positioning. The smooth beveled stock ensures no kinking of wiring

1-1/2" top and bottom conduit

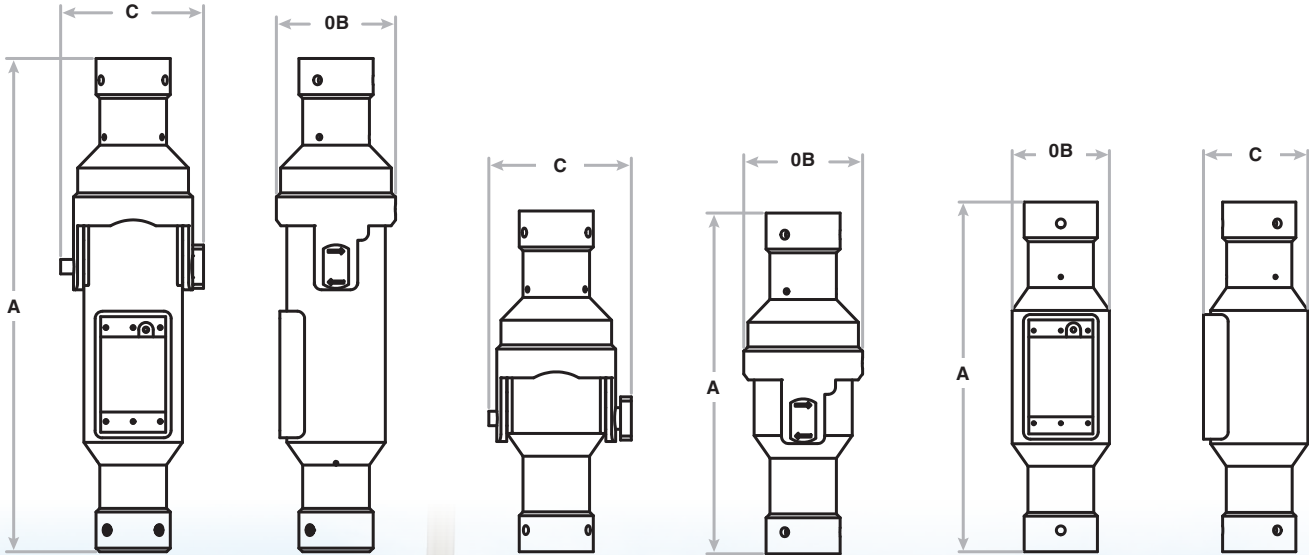
Spartan drops 90°

Various mounting brackets available

Customize your pole solution with the patented TET fitting allowing unimpeded access to wire splicing and pulling



CATALOG NUMBER	ENTRY SIZE	POLE STYLE	MATERIAL	A	OB	C	2 4FT POLES	1X 4FT POLE 1X 6FT POLE
H-AL	1-1/2"	Hinge	Aluminum	11.97"	4.13"	4.95"	H-AL-08	H-AL-10
H-SS			Stainless Steel				H-SS-08	H-SS-10
H-HG			HDG Iron				H-HG-08	H-HG-10
HJB-AL	1-1/2"	Hinge Junction Box	Aluminum	17.32"	4.93"	4.02"	HJB-AL-08	HJB-AL-10
HJB-SS			Stainless Steel				HJB-SS-08	HJB-SS-10
HJB-HG			HDG Iron				HJB-HG-08	HJB-HG-10
CJB-AL	1-1/2"	Coupler	Aluminum	11.97"	3.41"	3.66"	CJB-AL-08	CJB-AL-10



Spartan Hinge Junction Box

Spartan Hinge

Spartan Coupler





FITTINGS

SPARTAN POLE

SPARTAN HINGE

CONDUIT:
Existing or New

SET SCREW:
Secure Conduit

POLE SLEEVES:
Protects Cable & Ensures
Poles are Centered

WEEP HOLE:
Ingress Drain System

HINGE STOP: Pole
Cannot Rotate Past 90°

LOCKING BOLT: Secures
Hinge in Vertical Position

SLEEVE DESIGN:
Structural – up to 250MPH
wind rated waterproof
enclosure

BEVELED STOCK:
Ensures smooth cable
pulling

CAM SYSTEM: Stainless
Steel Effortless Raising
& Opening Mechanism



Customize Your Spartan Pole Solution and Save Money and Assembly Time Having It Shipped Completely Assembled



SPARTAN VC

H **AL**-**0**-**08** **AL**-**Y**-**01**-**TET**-**25**

Spartan Pole Fitting

- H** – Hinge
- HJB** – Hinge JB
- CJB** – Coupler

Material

- AL** – Aluminum
- SS** – Stainless Steel
- HG** – Galv. Iron

Cover:
(Only for CJB & HJB)

- 0** – No FS Cover
- 1** – FS Blank Cover w/ Gasket AL

Pole Height

- 00** – No Pole
- 04** – 4ft Top Only
- 06** – 6ft Top Only
- 08** – 8ft (4ft Top & Bottom)
- 10** – 10ft (6ft Top & 4ft Bottom)

Pole Material

- AL** – Aluminum
- SS** – Stainless Steel
- HG** – Steel

Lighting Stancion Mounts

- 00** – None
- 25** – VMD5B 25°
- 90** – VMS5B Straight (90°)

Bottom Pull/Termination Fitting

- 000** – None
- TET** – (Top Entry T Fitting)
- FM5** – Form 5 1-1/2" Conduit Body
- FM7** – Form 7 1-1/2" Conduit Body
- PL5** – Nonmetallic Terminal Box

Brackets

- (Brackets are Galv. Steel)
- 00** – None
 - 01** – Universal L with Tublar U bolts
 - 02** – Universal L with Angled bolt
 - 03** – Wall Mount
 - 04** – Floor Mount
 - 05** – PL Box Bracket

*Stainless Steel contact Factory

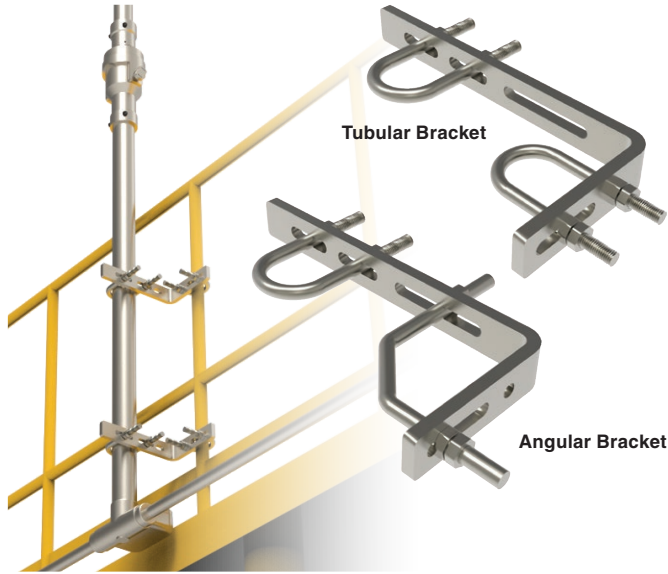
Cable:

- (cable is standard 12/3 AWG)
- N** – No Cable
 - Y** – Cable Length Determined by Pole Height Requested



MOUNTING OPTIONS

All brackets come standard with bolts, nuts and washers.

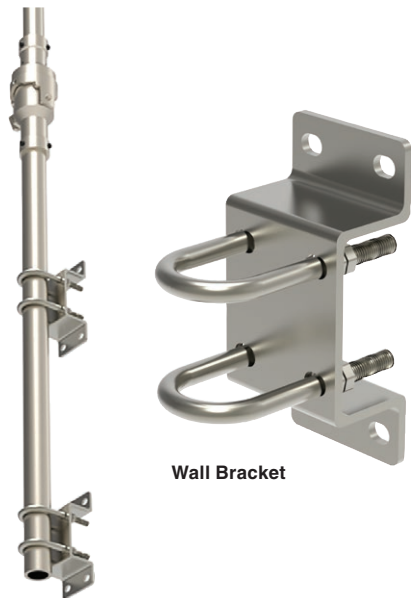


MOUNTING BRACKETS		
CATALOG NUMBER	FINISH	TYPE OF BRACKET
MHK-RTG	Steel	Tubular (rounded)
MHK-RAG	Steel	Angular
MHK-RTS	Stainless Steel	Tubular (rounded)
MHK-RAS	Stainless Steel	Angular



MOUNTING BRACKET		
CATALOG NUMBER	FINISH	TYPE OF BRACKET
MKH-FMBG	Steel	Floor mount
MKH-JFMBG	Steel	Floor mount w junction box

**For other finishes contact factory*



MOUNTING BRACKET		
CATALOG NUMBER	FINISH	TYPE OF BRACKET
MHK-WMBG	Steel	Wall

**For other finishes contact factory*



JUNCTION BOX/MOUNTING BRACKET	
CATALOG NUMBER	DESCRIPTION
MKH-PL514BCD-WDU6-421A	Bracket, PL5 Box 6 terminal - 3 501/421 M20 Glands (9mm-13.4mm) unarmored cable
MKH-PL514BCD-WDU6-423A	Bracket, PL5 Box 6 terminal - 3 501/423 M20 Glands (9mm-13.4mm) armored cable

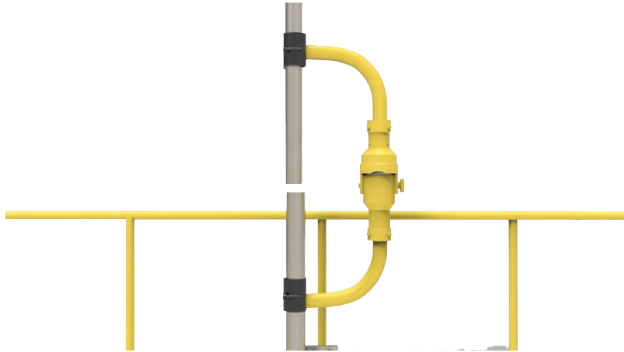


Existing Stanchion Poles Can Easily Be Converted for Retrofitting for Future Maintenance

CONVERSION-RETROFIT TOOL	
CATALOG NUMBER	SPARTAN-CRT



SPARTAN-CRT



1
 Install SPARTAN-CRT Tool and cut pipe approx. 2" above railing



2
 Lower cut pipe and remove



3
 Add Spartan Series and use existing cable and pole



4
 Raise pole with new fixture and adjust direction if needed



Click [here](#) to watch the Installation Guide video or scan the QR code above.



SEALING FITTINGS

Application & Installation

Class I, Divisions 1 and 2

The purpose of seals in a Class I hazardous location is to minimize the passage of gases and vapors and prevent the passage of flames from one electrical installation to another through the conduit system. Seals are required to be installed within 18 inches on any conduit run entering an enclosure which contains devices that may produce arcs, sparks, or high temperature. Where two enclosures are connected by a run of conduit not over 3 ft. long, a single seal located at the center of the run is considered satisfactory. Only explosionproof unions, couplings, elbows, and conduit bodies similar to "L", "T", and "X" type shall be permitted between the sealing fitting and the enclosure.

Seals shall be located within 18 inches of the enclosure or fitting on each conduit run of 2 inch size or larger entering an enclosure or fitting that contains terminals, splices, or taps.

Each run of conduit from a hazardous location to a nonhazardous location should be sealed to minimize the amount of gases and vapors communicated beyond the seal.

Class II, Divisions 1 and 2

Where a raceway provides communication between an enclosure which is required to be dust-ignitionproof and one which is not, suitable means shall be provided to prevent the entrance of dust into the dust-ignitionproof enclosure through the raceway.

Consideration for selection seals:

Select the proper sealing fitting for the hazardous gas/vapor involved; i.e., Class I Groups A, B, C, or D. Zone 1, Groups IIC, IIB, IIC.

Select a sealing fitting for the proper use in respect to mounting position. This is particularly critical when the conduit runs between hazardous and nonhazardous areas. Some seals are designed to be mounted in any position; others are restricted to vertical mounting.

*** NOTE:** The amount of Killark sealing compound and packing fiber required for any seal is determined by volume hub size and mounting position of the seal. Refer to the IOM sheet of each seal off.



Drains

Where there is a probability that liquid or other condensed vapor may be trapped within enclosures for control equipment or at any point in the raceway system, approved means – such as installation of drain seals – shall be provided to prevent moisture accumulation.

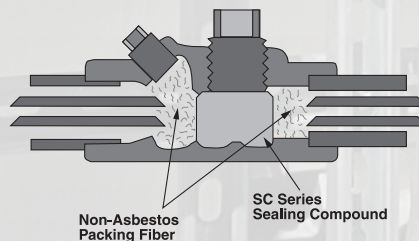
For more complete data or special applications, consult the code or your local inspector.

Sealing compounds shall be approved for the purpose and shall not be affected by the surrounding atmosphere or liquids, and shall not have a melting point of less than 93°C (200°F).

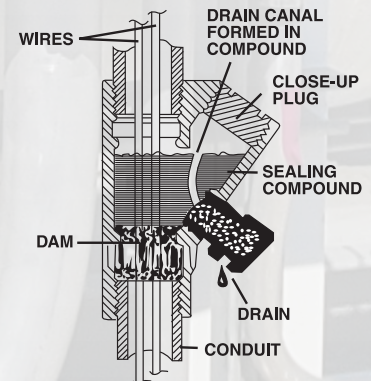
In the complete seal, the minimum thickness of the sealing compound shall not be less than the trade size of the conduit, and in no case less than 5/8 inch.*

Splices and taps shall not be made in fittings intended only for sealing with compound, nor shall other fittings in which splices or taps are made be filled with compound.

Killark sealing fittings are produced with utmost care to insure a substantial margin of safety. Threads are clean, deep, and snug. When properly installed with Killark sealing compound (SC Type) and Killark non-asbestos fiber (PF Type) for the dams, you can be sure your installation will provide more than adequate safety.

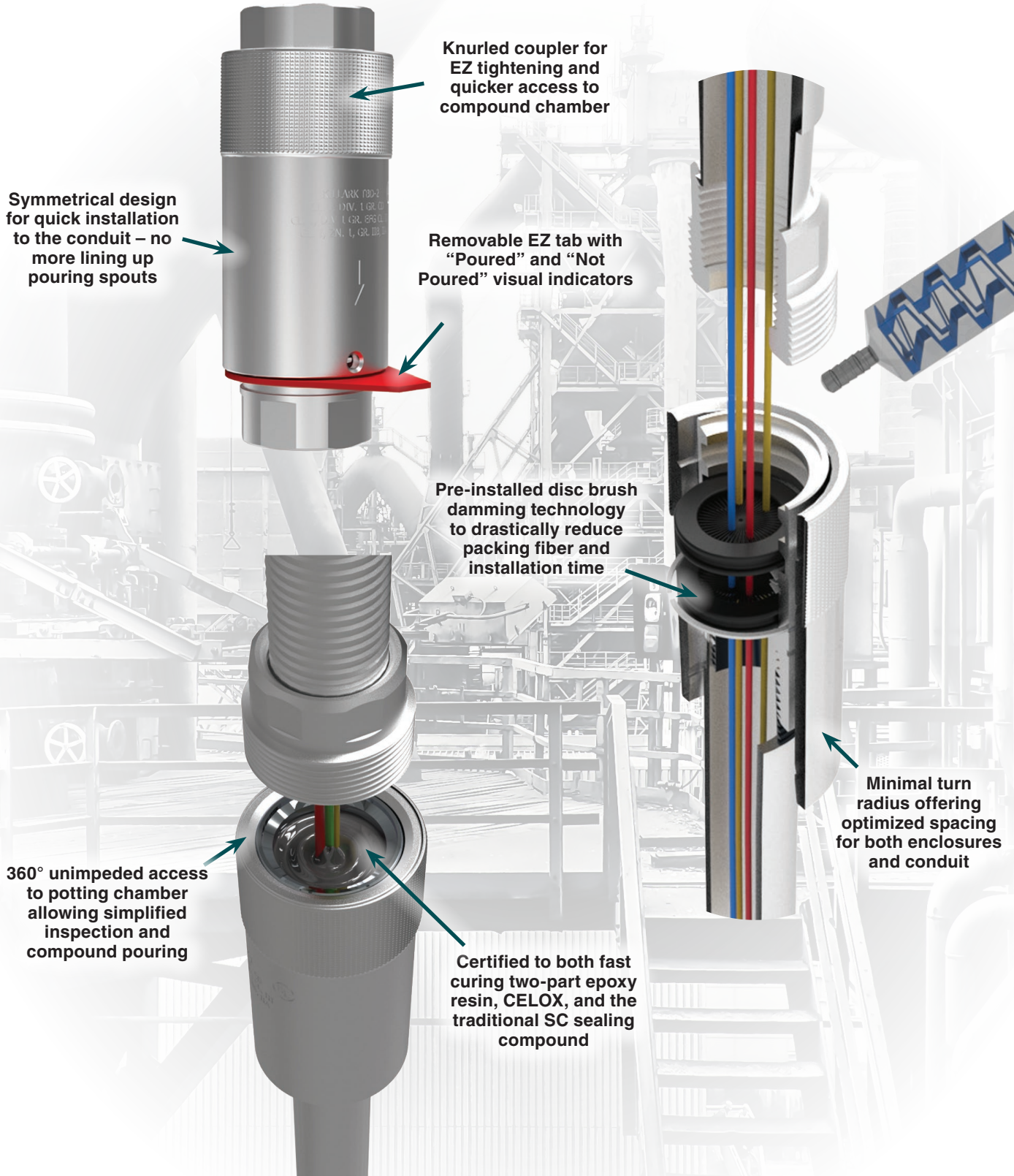


Schematic drawings illustrate the application of sealing compound, fiber dams, and installed seal with drain.



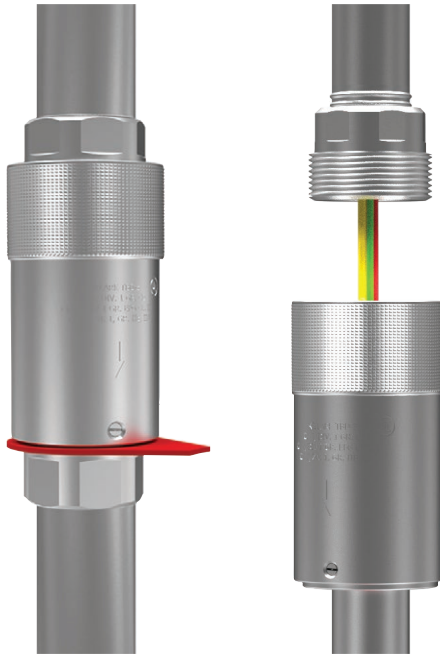


THE NEXT GENERATION OF VERTICAL SEAL FITTINGS





FITTINGS EZ SERIES



Class I, Div. 1 & 2, Groups A, B, C, D
Class I, Zone 1, Groups IIC, IIB, IIA
Class II, Div. 1 & 2, Groups E, F, G
Class III
Type 3R

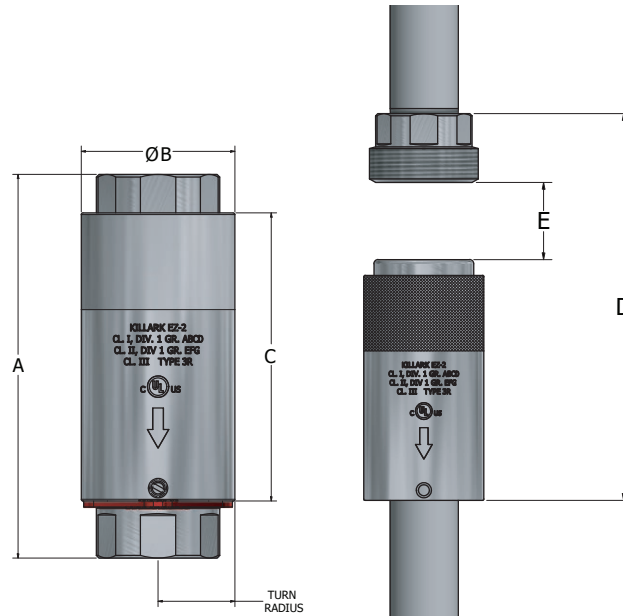
FEATURES-SPECIFICATIONS

Features

- Unique uniform design for simplified seal alignment
- Minimal turn radius for close spacing specification
- 360° unimpeded access to the conductors for visual inspection and separation
- Pre-installed patented disc brush barrier dam for nominal or no packing fiber required
- Retrofittable and easy replacement if needed

Materials

- EZ Seal Bodies
 - » Copper-free Aluminum or 12L14 zinc plated cold rolled steel
- Retaining rings
 - » Stainless steel
- Disc Brush dam
 - » Steel/nylon
- Position snap ring
 - » Plastic



EZ SEAL SERIES

HUB SIZE	CATALOG NUMBER			DIMENSIONS					
	ALUMINUM	ZINC PLATED STEEL	316 STAINLESS	A	B	C	D	E	TURN RADIUS
1/2"	EZ 1	EZ 1S	EZ 1SS	4.45	1.60	3.15	5.45	1.06	0.80
3/4"	EZ 2	EZ 2S	EZ 2SS	4.44	1.60	3.15	5.76	1.15	0.90
1"	EZ 3	EZ 3S	EZ 3SS	5.08	1.96	3.60	6.24	1.15	0.98



SEALING COMPOUND

CATALOG NUMBER	SIZE PACKAGE
KQS-050 ML	50 ml (1.7 oz)
KQS-250 ML	250 ml (8.45 oz)

*includes 4 static mixing nozzles

DISPENSING GUN

CATALOG NUMBER	SIZE CARTRIDGE
KQS-050 GUN	50ml Cartridge
KQS-250 GUN	250ml Cartridge

SEALING COMPOUND

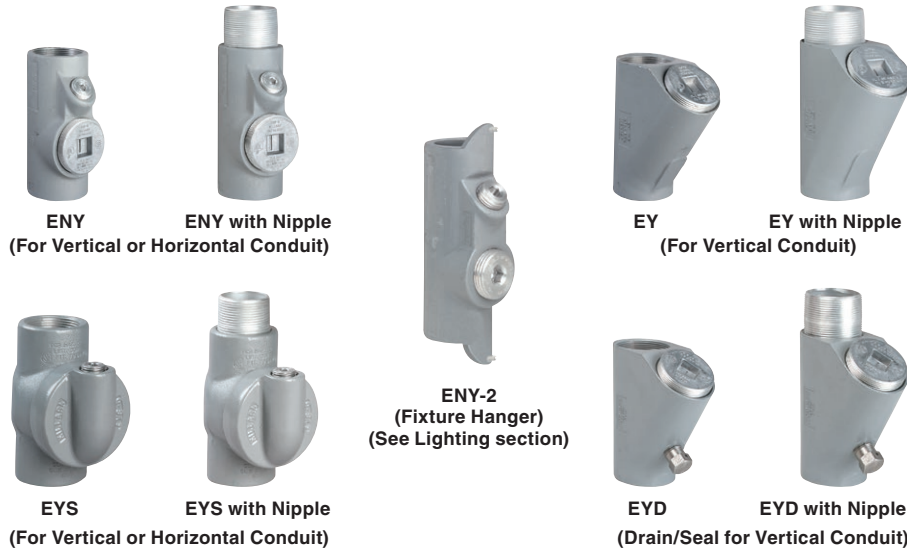
CATALOG NUMBER	SIZE PACKAGE
SC-4 OZ	4 oz.
SC-8 OZ	8 oz.
SC-1 LB	1 lb.
SC-5 LB	5 lbs.





FITTINGS
EY SERIES

SEALING FITTINGS



UL LISTED E10514
CS Certified LR11716

FEATURES-SPECIFICATIONS

Features

EY Series

- Large opening for easy packing of fiber dam and pouring of compound
- Integral bushings in conduit hubs to protect conductor insulation from damage
- NPT tapped hubs to ensure ground continuity
- Design provides minimum turning radius
- 25% conductor fill
- EY-T style supplied with removeable close nipples

EYD Series

- Threaded for Rigid Conduit or IMC
- Tapered threads (NPT)
- Simple to install. Internal drainage path provides a visual means to ensure that the compound chamber is properly filled. No need to use hoses and wires
- Large cover openings for easy packing of fiber dam on 1/2" through 1" sizes

- Temporary plastic sleeve protects thread for drain/breather from contamination when pouring compound
- Unique design enables installation of drain/breather right after compound is poured – no waiting
- Provides continuous water drain path while allowing conduit run to breathe, in compliance with the NEC
- Includes Drain Breather Fitting KDB-375

ENY40/EYD40 series

- A 40% wire fill capacity
- Large openings with threaded closures to provide easy access to conduit hubs for making dams
- Integral bushing in conduit hubs to protect conductor insulation from damage
- NPT threaded hubs to ensure ground continuity
- Minimum turning radius

Materials

Copper-free Aluminum
(less than 1/10 of 1%)

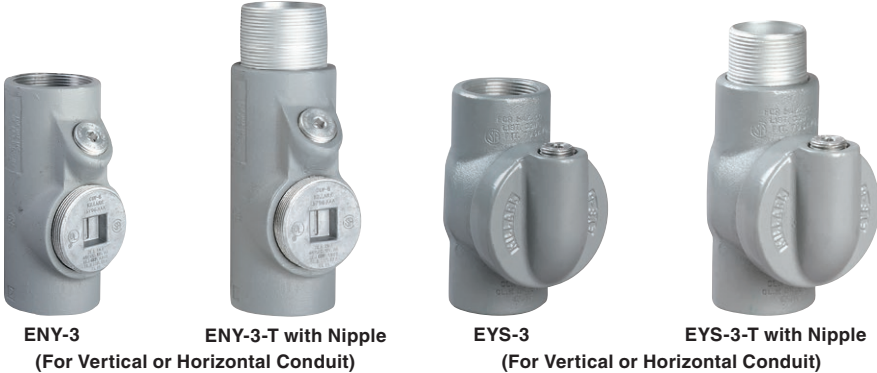
- Electrostatically applied powder coating

Duraloy Iron

- Tri-Coat Finish of electrozinc, chromate sealant, and electrostatically applied powder coating



SEALING FITTINGS



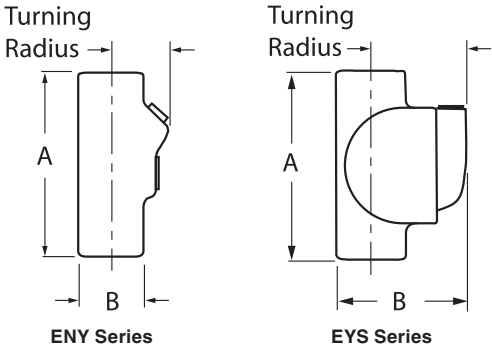
ENY-1, 2, 3, 4, 5 (KQS - SC) ENY-6 (SC ONLY)
Class I, Div. 1 & 2, Groups A, B, C, D
Class I, Zone 1, Groups IIC, IIB, IIA
Class II, Div. 1 & 2, Groups E, F, G
Class III
 EYS-1, 2 (KQS-SC) EYS-3, 4, 5, 6, 7, 8 (SC)
Class I, Div. 1 & 2, Groups C, D
Class I, Zone 1, Groups IIB, IIA
Class II, Div. 1 & 2, Groups E, F, G
Class III
 EYS-9, 0 (SC)
Class I, Div. 1 & 2, Groups C, D
Class I, Zone 1, Groups IIB, IIA
Class II, Div. 1 & 2, Groups E, F, G
Class III

ENY SEALING FITTINGS						ENY WITH NIPPLE	
HUB SIZE	CATALOG NUMBER		DIMENSIONS		TURNING RADIUS	CATALOG NUMBER	
	KILLARK ALUMINUM	DURALOY IRON	A	B		KILLARK ALUMINUM	DURALOY IRON
1/2"	ENY-1	ENY-1M	4-1/16" (103)	1-9/32" (33)	1-3/32"(30)	ENY-1-T	ENY-1TM
3/4"	ENY-2	ENY-2M	4-3/16" (106)	1-1/2" (38)	1-9/32"(33)	ENY-2-T	ENY-2TM
1"	ENY-3	ENY-3M	5" (127)	1-3/4" (45)	1-13/32"(36)	ENY-3-T	ENY-3TM
1-1/4"	ENY-4	ENY-4M	5-3/8" (137)	2-3/16" (56)	1-25/32"(45)	ENY-4-T	ENY-4TM
1-1/2"	ENY-5	ENY-5M	5-11/16" (144)	2-3/8" (60)	1-29/32"(48)	ENY-5-T	ENY-5TM
2"	ENY-6	ENY-6M	6-3/8" (162)	2-3/8" (60)	2-5/16"(59)	ENY-6-T	ENY-6TM

LARGE SIZES COMING SOON

EYS SEALING FITTINGS						EYS WITH NIPPLE	
HUB SIZE	CATALOG NUMBER		DIMENSIONS		TURNING RADIUS	CATALOG NUMBER	
	KILLARK ALUMINUM	DURALOY IRON	A	B		KILLARK ALUMINUM	DURALOY IRON
1/2"	EYS-1	—	2-15/16"(75)	1-13/16"(46)	1-3/16"(30)	EYS-1-T	—
3/4"	EYS-2	—	4-1/16"(103)	2-1/16"(52)	1-9/32"(33)	EYS-2-T	—
1"	EYS-3	—	4-25/32"(121)	2-11/32"(60)	1-13/32"(36)	EYS-3-T	—
1-1/4"	EYS-4	—	5-3/8"(137)	3"(76)	1-25/32"(45)	EYS-4-T	—
1-1/2"	EYS-5	—	5-11/16"(144)	3-1/4"(83)	1-29/32"(48)	EYS-5-T	—
2"	EYS-6	—	6-3/8"(162)	3-15/16"(100)	2-5/16"(59)	EYS-6-T	—
2-1/2"	EYS-7	EYS-7M	7-5/8"(194)	4-1/2"(114)	4-1/8"(105)	EYS-7-T	EYS-7TM
3"	EYS-8	EYS-8M	7-5/8"(194)	4-1/2"(114)	4-3/8"(111)	EYS-8-T	EYS-8TM
3-1/2"	EYS-9	EYS-9M	7-1/8"(181)	5-3/16"(132)	4-3/4"(121)	EYS-9-T	EYS-9TM
4"	EYS-0	EYS-0M	7-1/8"(181)	5-3/16"(132)	4-3/4"(121)	EYS-0-T	EYS-0TM

DIMENSIONS





FITTINGS EY/EYD SERIES

SEALING FITTING



EY-3



EY-3-T with Nipple
(For Vertical Conduit)



EYD-3

EYD-3-T with Nipple
(Drain/Seal for vertical conduit)

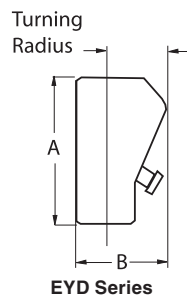
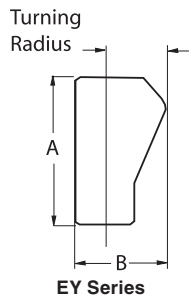


EY-50, 75, 100 EYD-50, 75, 100 (KQS-SC)
Class I, Div. 1 & 2, Groups A, B, C, D
Class I, Zone 1, Groups IIC, IIB, IIA
Class II, Div. 1 & 2, Groups E, F, G
Class III
 EY-4, 5, 6, 7 EYD-4, 5, 6, 7 (SC)
Class I, Div. 1 & 2, Groups C, D
Class I, Zone 1, Groups IIB, IIA
Class II, Div. 1 & 2, Groups E, F, G
Class III
 EY-9,0 EYD-9,0 (SC)
Class I, Div. 1 & 2, Group D
Class I, Zone 1, Groups IIB, IIA
Class II, Div. 1 & 2, Groups E, F, G
Class III

EY SEALING FITTINGS						EY WITH NIPPLE	
HUB SIZE	CATALOG NUMBER		DIMENSIONS		TURNING RADIUS	CATALOG NUMBER	
	KILLARK ALUMINUM	DURALOY IRON	A	B		KILLARK ALUMINUM	DURALOY IRON
1/2"	EY-50	EY-50M	3-5/16"(84)	1-1/8"(29)	1-11/16"(37)	EY-50-T	EY-50TM
3/4"	EY-75	EY-75M	3-11/16"(94)	1-5/8"(33)	2"(51)	EY-75-T	EY-75TM
1"	EY-100	EY-100M	4-3/8"(111)	1-5/8"(41)	2-7/16"(62)	EY-100-T	EY-100TM
1-1/4"	EY-4	EY-4M	5-1/8"(130)	3-7/8"(98)	2-7/8"(73)	EY-4-T	EY-4TM
1-1/2"	EY-5	EY-5M	5-1/8"(130)	4-5/8"(117)	3-7/16"(87)	EY-5-T	EY-5TM
2"	EY-6	EY-6M	5-1/8"(230)	5-11/16"(144)	4-1/4"(108)	EY-6-T	EY-6TM
2-1/2"	EY-7	EY-7M	7"(178)	6-5/16"(160)	4-5/8"(117)	EY-7-T	EY-7TM
3"	EY-8	EY-8M	7"(178)	6-5/16"(160)	4-5/8"(117)	EY-8-T	EY-8TM
3-1/2"	EY-9	EY-9M	8-3/4"(222)	7-1/8"(181)	5-3/8"(138)	EY-9-T	EY-9TM
4"	EY-0	EY-0M	8-3/4"(222)	7-1/8"(181)	5-3/8"(138)	EY-0-T	EY-0TM

EYD SEALING FITTINGS						EYD WITH NIPPLE	
HUB SIZE	CATALOG NUMBER		DIMENSIONS		TURNING RADIUS	CATALOG NUMBER	
	KILLARK ALUMINUM	DURALOY IRON	A	B		KILLARK ALUMINUM	DURALOY IRON
1/2"	EYD-50	EYD-50M	3-1/2"(89)	1-1/8"(29)	1-5/8"(41)	EYD-50T	EYD-50TM
3/4"	EYD-75	EYD-75M	3-3/4"(95)	1-3/8"(35)	1-3/4"(45)	EYD-75T	EYD-75TM
1"	EYD-100	EYD-100M	4-3/8"(111)	1-3/4"(45)	2-1/8"(54)	EYD-100T	EYD-100TM
1-1/4"	EYD-4	EYD-4M	5-1/8"(130)	3-7/8"(98)	2-7/8"(73)	EYD-4-T	EYD-4TM
1-1/2"	EYD-5	EYD-5M	5-1/8"(130)	4-5/8"(117)	3-7/16"(87)	EYD-5-T	EYD-5TM
2"	EYD-6	EYD-6M	5-1/8"(130)	5-11/16"(144)	4-1/4"(108)	EYD-6-T	EYD-6TM
2-1/2"	EYD-7	EYD-7M	7"(178)	6-5/16"(160)	4-5/8"(117)	EYD-7-T	EYD-7TM
3"	EYD-8	EYD-8M	7"(178)	6-5/16"(160)	4-5/8"(117)	EYD-8-T	EYD-8TM
3-1/2"	EYD-9	EYD-9M	8-3/4"(122)	7-1/8"(181)	5-3/8"(137)	EYD-9-T	EYD-9TM
4"	EYD-0	EYD-0M	8-3/4"(122)	7-1/8"(181)	5-3/8"(137)	EYD-0-T	EYD-0TM

DIMENSIONS





ENY40/EYD40 SERIES

40% FILL SEALING FITTINGS



ENY



EYD

EYD, ENY40-1, 2, 3, 4, 5
Class I, Div. 1 & 2, Groups B, C, D
Class I, Zone 1, Groups IIB+H2, IIA
Class II, Div. 1 & 2, Groups E, F, G
Class III

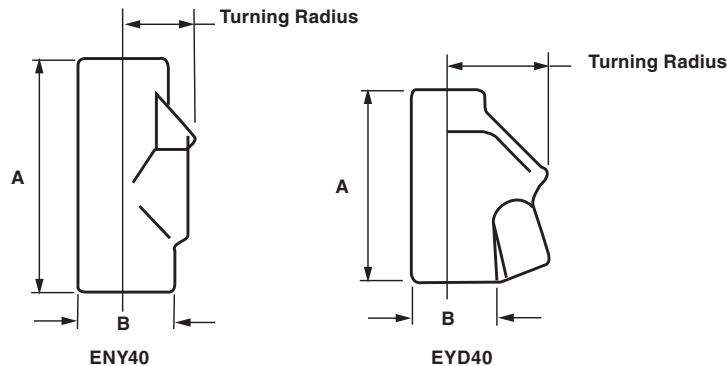
ENY40 40% VERTICAL AND/OR HORIZONTAL CONDUIT SEALING FITTINGS

HUB SIZE	CATALOG NUMBER		DIMENSIONS		TURNING RADIUS*	REQUIRED SEALING COMPOUND & PACKING FIBER OZ.	PER HUB (PF)
	KILLARK ALUMINUM	DURALOY IRON	A	B			
1/2"	ENY40-1	ENY40-1M	4-1/16"(103)	2-1/16"(52)	1-9/32"(33)	2	0.06
3/4"	ENY40-2	ENY40-2M	4-25/32"(121)	2-11/32"(60)	1-13/32"(36)	4	0.12
1"	ENY40-3	ENY40-3M	5-3/8"(137)	3"(76)	1-25/32"(45)	7	0.26
1-1/4"	ENY40-4	ENY40-4M	5-11/16"(144)	3-1/4"(83)	1-29/32"(48)	13	1.00
1-1/2"	ENY40-5	ENY40-5M	6-3/8"(162)	3-15/16"(100)	2-5/16"(59)	22	2.00
2"	ENY40-6	ENY40-6M	7-5/8"(194)	4-1/2"(114)	4-1/8"(105)	36	3.00
2-1/2"	ENY40-7	ENY40-7M	7-5/8"(194)	4-1/2"(114)	4-3/8"(111)	61	3.56
3"	ENY40-8	ENY40-8M	7-1/8"(181)	5-3/16"(132)	4-3/4"(121)	89	6.00
3-1/2"	ENY40-9	ENY40-9M	7-1/8"(181)	5-3/16"(132)	4-3/4"(121)	114	7.00
4"	ENY40-0	ENY40-0M	11-1/16"(281)	6-1/2"(165)	4-1/4"(108)	202	9.60

EYD40 40% VERTICAL CONDUIT DRAIN SEALING FITTINGS

HUB SIZE	CATALOG NUMBER		DIMENSIONS		TURNING RADIUS*	REQUIRED SEALING COMPOUND & PACKING FIBER OZ.	PER HUB (PF)
	KILLARK ALUMINUM	DURALOY IRON	A	B			
1/2"	EYD40-1	EYD40-1M	3-3/4"(95)	1-3/8"(35)	1-3/4"(45)	2	0.03
3/4"	EYD40-2	EYD40-2M	4-3/8"(111)	1-3/4"(45)	2-1/8"(54)	4	0.06
1"	EYD40-3	EYD40-3M	5-1/8"(130)	3-7/8"(98)	2-7/8"(73)	7	0.13
1-1/4"	EYD40-4	EYD40-4M	5-1/8"(130)	4-5/8"(117)	3-7/16"(87)	13	0.50
1-1/2"	EYD40-5	EYD40-5M	5-1/8"(130)	5-11/16"(144)	4-1/4"(108)	22	1.00
2"	EYD40-6	EYD40-6M	7"(178)	6-5/16"(160)	4-5/8"(117)	36	1.50
2-1/2"	EYD40-7	EYD40-7M	7"(178)	6-5/16"(160)	4-5/8"(117)	61	1.75
3"	EYD40-8	EYD40-8M	8-3/4"(122)	7-1/8"(181)	5-3/8"(137)	89	3.00
3-1/2"	EYD40-9	EYD40-9M	8-3/4"(122)	7-1/8"(181)	5-3/8"(137)	114	3.50
4"	EYD40-0	EYD40-0M	11-1/16"(281)	6-1/2"(165)	4-1/4"(108)	202	4.50

* Turning radius with cover plug removed.





FITTINGS SC/PF SERIES

SEALING MATERIALS



Sealing Compound



Packing Fiber



SC11W

FEATURES-SPECIFICATIONS

Sealing Materials

SC Series Sealing compound is a cement used extensively for sealing conduit to prevent the spread of explosive gases. It is non-shrinking and a secure seal is formed. SC Series resists acids, water, oil, etc. It is UL Listed for use with Killark ENY, EY, and EYS Series. Also CSA certified for use with any CSA certified sealing fitting.

Packing Fiber

Killark's Packing Fiber is made from an environmentally safe, non-asbestos material. It is easy to use and forms a positive dam to hold compound (Killark SC Type) in ENY, EY, and EYS Series fittings.

Features of SC with Water

- Exact amount of compound and water are packaged together into a two-compartment plastic pouch.
- The precise amount of compound and water are available for mixing. No mixing or measure implements are required.
- Squeezing the inner water container forces the water into the compartment containing the sealing compound. Complete mixing takes place inside the plastic pouch.
- The mixed sealing compound can be poured directly into the sealing fitting. A tubular straw is provided for those difficult seals to reach.
- The package label indicates the size and quantity of sealing fittings each pouch will properly fill.



SEALING MATERIALS

OUNCES REQUIRED PER FITTING				
HUB SIZE	SEALING COMPOUND			PACKING FIBER
	ENY ^①	EYS ^①	EY/EYD	
1/2"	1.5 oz.	3.0 oz.	1.0 oz.	1/16 oz.
3/4"	2.0 oz.	3.0 oz.	2.0 oz.	1/8 oz.
1"	3.0 oz.	8.0 oz.	4.5 oz.	1/4 oz.
1-1/4"	6.5 oz.	8.5 oz.	7.5 oz.	1/2 oz.
1 1/2"	8.5 oz.	17.5 oz.	12.0 oz.	1 oz.
2"	15.0 oz.	27.0 oz.	24.0 oz.	2 oz.
2-1/2"	—	42.0 oz.	44.0 oz.	3 oz.
3"	—	47.0 oz.	44.0 oz.	4 oz.
3-1/2"	—	56.0 oz.	75.0 oz.	6 oz.
4"	—	56.0 oz.	75.0 oz.	9 oz.

① ENY/EYS suitable for both horizontal or vertical applications.

SEALING COMPOUND	
CATALOG NUMBER	SIZE PACKAGE
SC-4 OZ	4 oz.
SC-8 OZ	8 oz.
SC-1 LB	1 lb.
SC-5 LB	5 lbs.

PACKING FIBER	
CATALOG NUMBER	SIZE PACKAGE
PF-2	2 oz.
PF-4	4 oz.
PF-16	1 lb.

SEALING COMPOUND						
CATALOG NUMBER	HUB SIZE	WILL FILL THE FOLLOWING SEALS:			CU. IN. FILL PER POUCH	NO. OF POUCHES PER CARTON
		ENY	EYS	EY/EYD		
SC5W ^②	1/2"	3	1	5	5	5
	3/4"	2	1	2		
	1"	1	—	1		
SC11W ^②	1/2"	7	3	11	11	5
	3/4"	5	3	5		
	1"	3	1	2		

② Appropriate amount of Packing Fiber is included in carton. Additional Packing Fiber may be purchased separately.



FITTINGS

CELOX[®] KQS SERIES

CELOX[®], a new
solution to **pouring**
seal fittings





CELOX®

Sealing Compound

KQS-250 ML



Class I, Div. 1 & 2, Groups A, B, C, D
 Class II, Div. 1 & 2, Groups E, F, G
 Class III



KQS-050



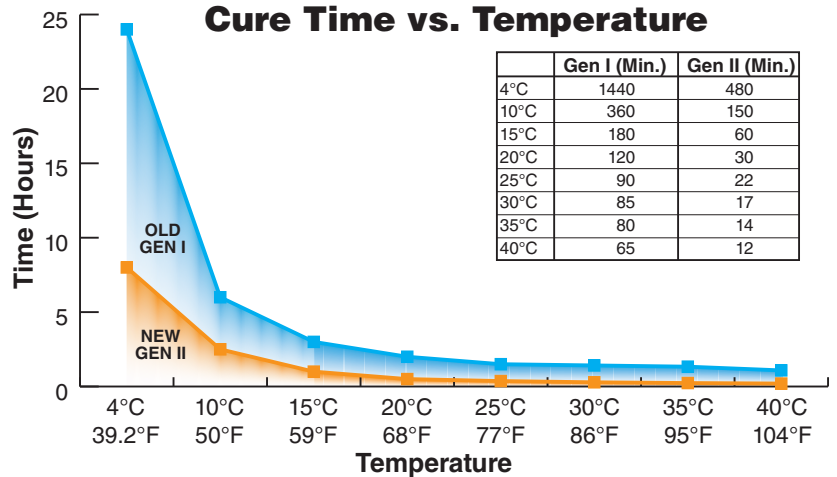
FEATURES-SPECIFICATIONS

Features

CELOX® QQS Series is used exclusively for sealing conduit to prevent the spread of explosive gases and vapors

- Two-part epoxy resin self mixes through a static, replaceable nozzle.
- New Enhanced Formula now up to 75% faster
- Available in two sizes 50ml and 250ml
- Cures faster in colder temperatures
- 250ml fills over sixteen ½” seals (may vary depending on pour and conductor fill)
- Each cartridge comes with 4 static nozzles

Cure Time vs. Temperature





FITTINGS

CELOX® KQS SERIES

SEALING COMPOUND	
CATALOG NUMBER	SIZE PACKAGE
KQS-050 ML	50 ml (1.7 oz.)
KQS-250 ML	250 ml (8.45 oz.)

**includes 4 static mixing nozzles*

DISPENSING GUN	
CATALOG NUMBER	SIZE CARTRIDGE
KQS-050 GUN	50 ml Cartridge
KQS-250 GUN	250 ml Cartridge

REPLACEMENT NOZZLES	
CATALOG NUMBER	SIZE NOZZLE
KQS-050 NOZ	50 ml Cartridge Nozzle (5 per)
KQS-250 NOZ	250 ml Cartridge Nozzle (5 per)

Saves Time



There is no mixing, measuring, or stirring required. Simple to set up with time, labor, and money savings.

Saves Money



Eliminates waste as each tube is REUSABLE for up to one year – saving money and the environment!

Easy Install



After the seal fitting is prepped, CELOX® takes seconds to install. Unlike traditional methods, no messy cement or water needed.



THREAD LUBRICANTS



LUBG-6

LUBT-2

FEATURES-SPECIFICATIONS

Features

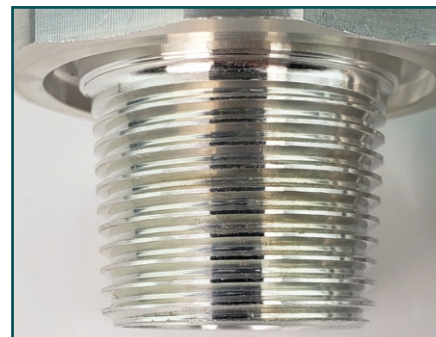
- LUBG is a general-purpose lubricant to be used in temperatures ranging from 0° to 125°F and comes in a can with brush lid.
- LUBT-2 is a high-quality lubricant to be used in temperatures ranging from -40° to +500°F. It is recommended to be used on hazardous location lighting fixtures.
- Never hardens, contain evaporating solvents and never corrodes

THREAD LUBRICANTS		
CATALOG NUMBER	CONTAINER PACKAGE	RATING
LUBG-6	6 oz.	General Purpose
LUBT-2	2 oz	High Temperature

GALLING

vs.

NO GALLING





OUTLET BODY DIFFERENCES

A QUICK GLANCE AT THE DIFFERENCE BETWEEN OUTLET BODIES



GEB SERIES

- External cover head on body
- Larger internal volume than the GEM & GEC series for more wiring capacity
- Available in aluminum only
- Comes with bosses for terminals
- Supplied with mounting tabs
- Cover opening 3-1/2"



GEC SERIES

- External cover head on body
- Larger internal volume than the GEM series for more wiring capacity
- Available in aluminum and Iron
- Rated for C1 D1 groups B,C,D and Type 4
- Covers and gasket supplied as standard
- Cover opening 2-1/16"



GES SERIES

- External cover head on body
- Available in aluminum and Iron
- Only available in 1" – 1-1/4"
- Cover opening 3-9/16"



GEJ SERIES

- Internal cover head on body
- Available in aluminum and Iron
- Only available in 1-1/2" - 2"
- Cover opening 4-7/8"



ALUMINUM OUTLET BODIES



Class I, Div. 1 & 2, Groups B, C, D*
Class I, Zone 1, Groups IIC, IIB, IIA
Class II, Div. 1 & 2, Groups E, F, G
Class III
Type 4X

 LISTED E 10514

 Certified LR11716

UL Standards: 886 and 1203
CSA Standards: C22.2 No. 30

** 1-1/2" hub sizes require seal within 24" for Group B applicatons.*

FEATURES-SPECIFICATIONS

Features

- Integral mounting lugs
- Green ground screw standard
- External cover thread on body plus smooth integral hub bushing protects conductor insulation when pulling
- 4 different hub arrangements
- Taper threaded hubs provide ground continuity
- External threaded body for additional wiring room
- Covers and gaskets furnished with boxes as standard
- 4 cored holes supplied inside casting for #8.32 self tapping screws for mounting devices as standard

Factory Modification

- Back and wall (mounting pad area) suitable for drilling 1/2" or 3/4" NPT or NPSM w/opening, consult factory

Materials

Aluminum

- **BODY & COVER** Copper-free aluminum (less than 1/10 of 1%)
- **FINISH** Electrostatically applied powder coating

Size Ranges

- Hub – 3/4" to 1-1/2"
- Cover opening – 3-1/2"



FITTINGS
GEB SERIES

ALUMINUM OUTLET BODIES



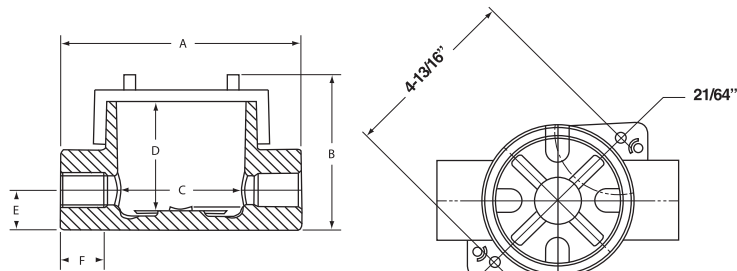
C Type



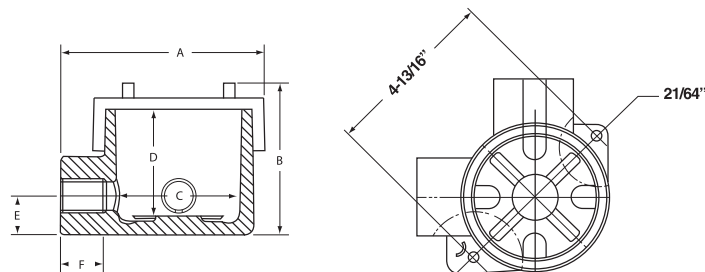
L Type

C TYPE OUTLET BODY									
CATALOG NUMBER	HUB SIZE	DIMENSIONS						COVER OPENING	VOLUME CU. IN.
		A	B	C	D	E	F		
GEBC-2	3/4"	6-1/2" (165)	4-5/16" (110)	3-1/4" (83)	2-15/16" (75)	1-3/32" (28)	1-3/16" (30)	3-1/2" (89)	29
GEBC-3	1"	6-1/2" (165)	4-5/16" (110)	3-1/4" (83)	2-15/16" (75)	1-3/32" (28)	1-3/16" (30)	3-1/2" (89)	29
GEBC-4	1-1/4"	6-1/2" (165)	4-5/16" (110)	3-1/4" (83)	2-15/16" (75)	1-3/32" (28)	1-3/16" (30)	3-1/2" (89)	29
GEBC-5	1-1/2"	6-1/2" (165)	4-5/16" (110)	3-1/4" (83)	2-15/16" (75)	1-3/32" (28)	1-3/16" (30)	3-1/2" (89)	29

L TYPE OUTLET BODY									
CATALOG NUMBER	HUB SIZE	DIMENSIONS						COVER OPENING	VOLUME CU. IN.
		A	B	C	D	E	F		
GEBL-2	3/4"	5-1/2" (140)	4-5/16" (110)	3-1/4" (83)	2-15/16" (75)	1-3/32" (28)	1-3/16" (30)	3-1/2" (89)	29
GEBL-3	1"	5-1/2" (140)	4-5/16" (110)	3-1/4" (83)	2-15/16" (75)	1-3/32" (28)	1-3/16" (30)	3-1/2" (89)	29
GEBL-4	1-1/4"	5-1/2" (140)	4-5/16" (110)	3-1/4" (83)	2-15/16" (75)	1-3/32" (28)	1-3/16" (30)	3-1/2" (89)	29
GEBL-5	1-1/2"	5-1/2" (140)	4-5/16" (110)	3-1/4" (83)	2-15/16" (75)	1-3/32" (28)	1-3/16" (30)	3-1/2" (89)	29



C Type



L Type



ALUMINUM OUTLET BODIES



T Type



X Type

T TYPE OUTLET BODY

CATALOG NUMBER	HUB SIZE	DIMENSIONS						COVER OPENING	VOLUME CU. IN.
		A	B	C	D	E	F		
GEBT-2	3/4"	6-1/2" (165)	4-5/16" (110)	3-1/4" (83)	2-15/16" (75)	1-3/32" (28)	1-3/16" (30)	3-1/2" (89)	29
GEBT-3	1"	6-1/2" (165)	4-5/16" (110)	3-1/4" (83)	2-15/16" (75)	1-3/32" (28)	1-3/16" (30)	3-1/2" (89)	29
GEBT-4	1-1/4"	6-1/2" (165)	4-5/16" (110)	3-1/4" (83)	2-15/16" (75)	1-3/32" (28)	1-3/16" (30)	3-1/2" (89)	29
GEBT-5	1-1/2"	6-1/2" (165)	4-5/16" (110)	3-1/4" (83)	2-15/16" (75)	1-3/32" (28)	1-3/16" (30)	3-1/2" (89)	29
GEBT-24	(2) 3/4" (1) 1-1/4"	6-1/2" (165)	4-5/16" (110)	3-1/4" (83)	2-15/16" (75)	1-3/32" (28)	1-3/16" (30)	3-1/2" (89)	29
GEBT-25	(2) 3/4" (1) 1-1/2"	6-1/2" (165)	4-5/16" (110)	3-1/4" (83)	2-15/16" (75)	1-3/32" (28)	1-3/16" (30)	3-1/2" (89)	29

* 1-1/2" hub size requires seal within 24" for group B applications.

X TYPE OUTLET BODY

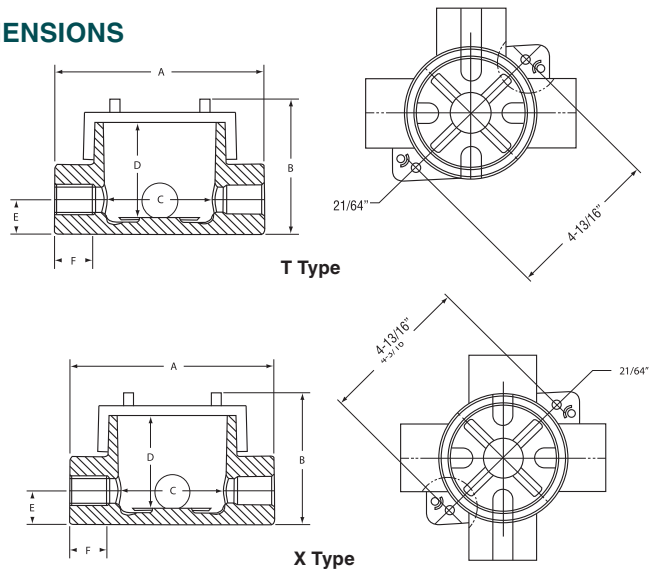
CATALOG NUMBER	HUB SIZE	DIMENSIONS						COVER OPENING	VOLUME CU. IN.
		A	B	C	D	E	F		
GEBX-2	3/4"	6-1/2" (165)	4-5/16" (110)	3-1/4" (83)	2-15/16" (75)	1-3/32" (28)	1-3/16" (30)	3-1/2" (89)	29
GEBX-3	1"	6-1/2" (165)	4-5/16" (110)	3-1/4" (83)	2-15/16" (75)	1-3/32" (28)	1-3/16" (30)	3-1/2" (89)	29
GEBX-4	1-1/4"	6-1/2" (165)	4-5/16" (110)	3-1/4" (83)	2-15/16" (75)	1-3/32" (28)	1-3/16" (30)	3-1/2" (89)	29
GEBX-5	1-1/2"	6-1/2" (165)	4-5/16" (110)	3-1/4" (83)	2-15/16" (75)	1-3/32" (28)	1-3/16" (30)	3-1/2" (89)	29
GEBX-25	(3) 3/4" (1) 1-1/2"	6-1/2" (165)	4-5/16" (110)	3-1/4" (83)	2-15/16" (75)	1-3/32" (28)	1-3/16" (30)	3-1/2" (89)	29

Outlet Box for in-line
(multiple) stanchion mount fixtures



GEBT-25 with two 3/4"
feed-thru hubs
and one 1-1/2" vertical hub

DIMENSIONS





FITTINGS GEB SERIES

INSTRUMENT / DEVICE – UL / CSA / ATEX / IECEx



GR with Cover



Application Example



Class I, Div. 1 & 2, Groups B, C, D
Class I, Zone 1 & 2, Groups IIC, IIB, IIA
Class II, Div. 1 & 2, Groups E, F, G
Class III
Enclosure Type 3, 4 & 4X IP66

0518 **II 2 G D**
Ex d IIC Gb
Ex e IIC Gb
Ex t IIC Db
Ta = -40°C to +163°C* IP66



- File E83969



Certified - LR11716

Sira 12ATEX1243U
IECEx SIR 12.0106U

FEATURES-SPECIFICATIONS

Features

- Body opening 3-1/2" Dia. x 3" deep.
- Cover o-ring supplied as standard for **TYPE 4X AND IP66** applications.
- Available in 4 configurations, C, L, T, & X with 1/2" **THROUGH 1-1/2" NPT TAPER THREADED HUBS** providing ground continuity.
- Smooth integral hub busing to protect conductor insulation when pulling.
- External cover threads on the body protecting conductors from damages during pulling.
- No pinching of conductors during cover installation.
- One internal & two external grounding (earthing) connections
- Boxes have integral mounting lugs.
- Lugs on cover permit easy removal and tightening.

Materials

- Box & cover: Copper free aluminum (less than 1/10 of 1%)
- Finish: Electrostatically applied powder coating – Grey
- O-Ring Gasket Material: Nitrile compound
- Hub Sizes: 1/2 NPT to 1-1/2 NPT
- Stainless steel tamper-proof locking set screw in cover.
- "X" configured cast-in mounting pad. Supplied with 4 corded holes for #8-32 self-tapping screws for mounting devices as standard. Units can also be provided with internal customer specified drilling and tapping for OEM device mounting.



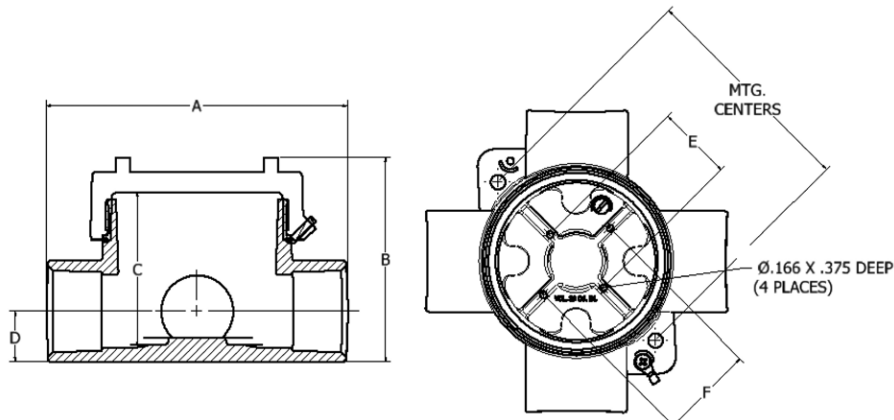
INSTRUMENT / DEVICE – UL / CSA / ATEX / IECEX

HUB TYPE	CATALOG NUMBER	HUB SIZE	HUB TYPE	CATALOG NUMBER	HUB SIZE
C	GEBC-1-EX	1/2"	L	GEBL-1-EX	1/2"
	GEBC-2-EX	3/4"		GEBL-2-EX	3/4"
	GEBC-3-EX	1"		GEBL-3-EX	1"
	GEBC-4-EX	1-1/4"		GEBL-4-EX	1-1/4"
	GEBC-5-EX	1-1/2"		GEBL-5-EX	1-1/2"
T	GEBC-1-EX	1/2"	X	GEBC-1-EX	1/2"
	GEBC-2-EX	3/4"		GEBC-2-EX	3/4"
	GEBC-3-EX	1"		GEBC-3-EX	1"
	GEBC-4-EX	1-1/4"		GEBC-4-EX	1-1/4"
	GEBC-5-EX	1-1/2"		GEBC-5-EX	1-1/2"
	GEBC-24-EX	3/4 - 1-1/4"		GEBC-24-EX	3/4 - 1-1/2"
	GEBC-25-EX	3/4 - 1-1/2"		GEBC-25-EX	3/4 - 1-1/2"

NOTE - 1/2" Hub Size supplied with 3/4"-1/2" NPT reducer

DIMENSIONS					
A	B	E	COVER OPENING	VOLUME IN ³ / ML	MOUNTING CENTERS
5.5" (140mm)	4.31" (110mm)	1.09" (28mm)	3.5" (89mm)	29 (48ml)	4.81" (122mm)

DIMENSIONS





FITTINGS GE SERIES



1/2", 3/4" and 1" Bodies
Class I, Div. 1 & 2, Groups B, C & D
Class I, Zone 1, Groups IIB, IIA
1-1/4", 1-1/2", and 2" Bodies
Class I, Div. 1 & 2, Group D
Class I, Zone 1, Group IIA
Class II, Div. 1 & 2, Groups E, F, G
Class III
For GEJ Series CSA applications for
Class I Group C, seal conduit within 18
inches
Type 4 & 4X

 LISTED E 10514

 LR11716

Applicable Third Party Standards

UL Standards: 886 and 1203
CSA Standard: C22.2 No. 30
Fed Spec: W-C-586D
Mil Spec: F-28675

FEATURES-SPECIFICATIONS

Features

GE conduit outlet boxes have:

- GEM, GEC and GES have water shedding cover – suitable for wet locations when mounted in upright position
- External cover threads on body protecting conductors from damage during pulling
- No pinching of conductors during cover installation
- Ten different hub arrangements
- Taper threaded hubs to provide ground continuity
- Smooth integral hub bushing to protect conductor insulation when pulling
- Internally threaded cover openings for additional wiring room
- Covers furnished with boxes
- Weather-resistant finish
- Green ground screw standard in all boxes

Materials

Aluminum

- **BODY** Copper-free aluminum (less than 1/10 of 1%)
- **FINISH** Electrostatically applied powder coating
- **COVER** (Aluminum) Copper-free aluminum (less than 1/10 of 1%). Electrostatically applied powder coating

Iron

- **BODY** Duraloy iron alloy
- **FINISH** Tri-coat finish of electrozinc, chromate sealant, and electrostatically applied powder coating
- **COVER** (Aluminum) Copper-free aluminum (less than 1/10 of 1%). Electrostatically applied powder coating

Size Ranges

- Hub – 1/2" to 2"
- Cover opening – 2-1/16" to 4-7/8" diameter



ALUMINUM AND IRON OUTLET BODIES



GEC
E Type



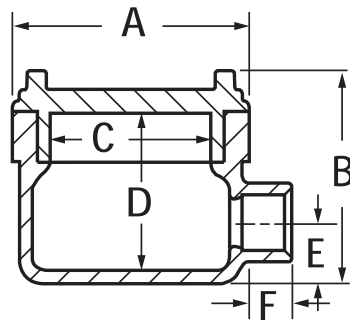
GEJ
E Type

E TYPE OUTLET BODY*

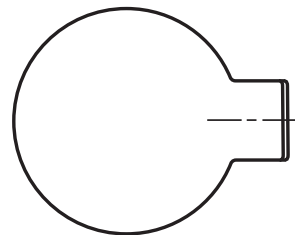
CATALOG NUMBER		HUB SIZE	DIMENSIONS						COVER OPENINGS	VOLUME CU. IN.
KILLARK ALUM.	DURALOY IRON		A	B	C	D	E	F		
GECET-1	GECET-1M	1/2"	3-11/16" (94)	3-5/8" (92)	2-11/16" (68)	2-3/4" (70)	1" (25)	13/16" (21)	2-11/16" (68)	18
GECET-2	GECET-2M	3/4"	3-11/16" (94)	3-5/8" (92)	2-11/16" (68)	2-3/4" (70)	1" (25)	13/16" (21)	2-11/16" (68)	18
GECET-3	GECET-3M	1"	3-11/16" (94)	3-5/8" (92)	2-11/16" (68)	2-3/4" (70)	1" (25)	1-1/8" (21)	2-11/16" (68)	19
—	—	1-1/4"	—	—	—	—	—	—	—	—
GEJET-5	GEJET-5M	1-1/2"	6-1/4" (159)	4-3/8" (111)	4-7/8" (124)	3-9/16" (90)	1-3/16" (46)	1-3/16" (46)	4-7/8" (124)	75

* For **GROUP B** applications, contact factory.

DIMENSIONS



GEC Type



E Type



FITTINGS GE SERIES

ALUMINUM AND IRON OUTLET BODIES



GEM
C Type



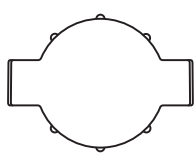
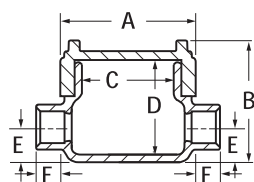
GEM
L Type

C TYPE OUTLET BODY*										
CATALOG NUMBER		HUB SIZE	DIMENSIONS						COVER OPENINGS	VOLUME CU. IN.
KILLARK ALUM.	DURALOY IRON		A	B	C	D	E	F		
GEMC-1	—	1/2"	2-13/16" (71)	3" (76)	2-1/16" (52)	2-5/16" (79)	11/16" (17)	13/16" (21)	2-1/16" (52)	8
GEMC-2	—	3/4"	2-13/16" (71)	3" (76)	2-1/16" (52)	2-5/16" (79)	11/16" (17)	13/16" (21)	2-1/16" (52)	8
GECCT-1	GECCT-1M	1/2"	3-11/16" (94)	3-5/8" (92)	2-11/16" (68)	2-3/4" (70)	1" (25)	13/16" (21)	2-11/16" (68)	18
GECCT-2	GECCT-2M	3/4"	3-11/16" (94)	3-5/8" (92)	2-11/16" (68)	2-3/4" (70)	1" (25)	13/16" (21)	2-11/16" (68)	18
GECCT-3	GECCT-3M	1"	3-11/16" (94)	3-5/8" (92)	2-11/16" (68)	2-3/4" (70)	1" (25)	1-1/8" (28)	2-11/16" (68)	19
GESCT-3	GESCT-3M	1"	5-1/16" (128)	4-1/8" (105)	3-9/16" (90)	3-7/16" (87)	1-1/16" (27)	1-1/8" (28)	3-9/16" (90)	42
GESCT-4	GESCT-4M	1-1/4"	5-1/16" (128)	4-1/8" (105)	3-9/16" (90)	3-7/16" (87)	1-1/16" (27)	1-3/16" (30)	3-9/16" (90)	42
GEJCT-5	GEJCT-5M	1-1/2"	6-1/4" (159)	4-3/8" (111)	4-7/8" (124)	3-9/16" (90)	1-3/16" (30)	1-3/16" (30)	4-7/8" (124)	75
GEJCT-6	GEJCT-6M	2"	6-1/4" (159)	4-3/8" (111)	4-7/8" (124)	3-9/16" (90)	1-1/2" (38)	1-3/16" (30)	4-7/8" (124)	75

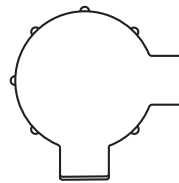
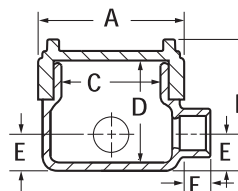
L TYPE OUTLET BODY*										
CATALOG NUMBER		HUB SIZE	DIMENSIONS						COVER OPENINGS	VOLUME CU. IN.
KILLARK ALUM.	DURALOY IRON		A	B	C	D	E	F		
GEML-1	—	1/2"	2-13/16" (71)	3" (76)	2-1/16" (52)	2-5/16" (79)	11/16" (17)	13/16" (21)	2-1/16" (52)	8
GEML-2	—	3/4"	2-13/16" (71)	3" (76)	2-1/16" (52)	2-5/16" (79)	11/16" (17)	13/16" (21)	2-1/16" (52)	8
GECLT-1	GECLT-1M	1/2"	3-11/16" (94)	3-5/8" (92)	2-11/16" (68)	2-3/4" (70)	1" (25)	13/16" (21)	2-11/16" (68)	18
GECLT-2	GECLT-2M	3/4"	3-11/16" (94)	3-5/8" (92)	2-11/16" (68)	2-3/4" (70)	1" (25)	13/16" (21)	2-11/16" (68)	18
GECLT-3	GECLT-3M	1"	3-11/16" (94)	3-5/8" (92)	2-11/16" (68)	2-3/4" (70)	1" (25)	13/16" (28)	2-11/16" (68)	18
GESLT-3	GESLT-3M	1"	5-1/16" (128)	4-1/8" (105)	3-9/16" (90)	3-7/16" (87)	1-1/16" (27)	1-1/8" (28)	3-9/16" (90)	42
GESLT-4	GESLT-4M	1-1/4"	5-1/16" (128)	4-1/8" (105)	3-9/16" (90)	3-7/16" (87)	1-1/16" (27)	1-3/16" (30)	3-9/16" (90)	42
GEJLT-5	GEJLT-5M	1-1/2"	6-1/4" (159)	4-3/8" (111)	4-7/8" (124)	3-9/16" (87)	1-3/16" (30)	1-3/16" (30)	4-7/8" (124)	75
GEJLT-6	GEJLT-6M	2"	6-1/4" (159)	4-3/8" (111)	4-7/8" (124)	3-9/16" (87)	1-1/2" (38)	1-3/16" (30)	4-7/8" (124)	75

* For GROUP B applications, contact factory.

DIMENSIONS



C Type



L Type



ALUMINUM AND IRON OUTLET BODIES



GEC
T Type



GES
X Type



GEJ
LB Type

T TYPE OUTLET BODY*

CATALOG NUMBER		HUB SIZE	DIMENSIONS						COVER OPENINGS	VOLUME CU. IN.
KILLARK ALUM.	DURALOY IRON		A	B	C	D	E	F		
GEMT-1	—	1/2"	2-13/16" (56)	3" (76)	2-1/16" (52)	2-5/16 (59)	11/16" (17)	13/16" (21)	2-1/16" (52)	8
GEMT-2	—	3/4"	2-13/16" (56)	3" (76)	2-1/16" (52)	2-5/16 (59)	11/16" (17)	13/16" (21)	2-1/16" (52)	8
GECTT-1	GECTT-1M	1/2"	3-11/16" (93)	3-5/8" (92)	2-11/16" (68)	2-3/4" (70)	1" (25)	13/16" (21)	2-11/16" (68)	19
GECTT-2	GECTT-2M	3/4"	3-11/16" (93)	3-5/8" (92)	2-11/16" (68)	2-3/4" (70)	1" (25)	13/16" (21)	2-11/16" (68)	19
GECTT-3	GECTT-3M	1"	3-11/16" (93)	3-5/8" (92)	2-11/16" (68)	2-3/4" (70)	1" (25)	13/16" (21)	2-11/16" (68)	19
GESTT-3	GESTT-3M	1"	5-1/16" (129)	4-1/8" (105)	3-9/16" (90)	3-7/16" (87)	1-1/16" (27)	1-1/8" (29)	3-9/16" (90)	42
GESTT-4	GESTT-4M	1-1/4"	5-1/16" (129)	4-1/8" (105)	3-9/16" (90)	3-7/16" (87)	1-1/16" (27)	1-1/8" (29)	3-9/16" (90)	42
GEJTT-5	GEJTT-5M	1-1/2"	6-1/4" (159)	4-3/8" (111)	4-7/8" (124)	3-9/16" (90)	1-3/16" (30)	1-3/16" (30)	4-7/8" (124)	75
GEJTT-6	GEJTT-6M	2"	6-1/4" (159)	4-3/8" (111)	4-7/8" (124)	3-9/16" (90)	1-1/2" (38)	1-3/16" (30)	4-7/8" (124)	75

X TYPE OUTLET BODY*

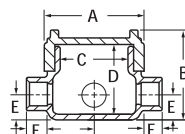
GEMX-1	—	1/2"	2-13/16" (56)	3" (76)	2-1/16" (52)	2-5/16 (59)	11/16" (17)	13/16" (21)	2-1/16" (52)	8
GEMX-2	—	3/4"	2-13/16" (56)	3" (76)	2-1/16" (52)	2-5/16 (59)	11/16" (17)	13/16" (21)	2-1/16" (52)	8
GEEXT-1	GEEXT-1M	1/2"	3-11/16" (93)	3-5/8" (92)	2-11/16" (68)	2-3/4" (70)	1" (25)	13/16" (21)	2-11/16" (68)	19
GEEXT-2	GEEXT-2M	3/4"	3-11/16" (93)	3-5/8" (92)	2-11/16" (68)	2-3/4" (70)	1" (25)	13/16" (21)	2-11/16" (68)	19
GEEXT-3	GEEXT-3M	1"	3-11/16" (93)	3-5/8" (92)	2-11/16" (68)	2-3/4" (70)	1" (25)	13/16" (21)	2-11/16" (68)	19
GESXT-3	GESXT-3M	1"	5-1/16" (129)	4-1/8" (105)	3-9/16" (90)	3-7/16" (87)	1-1/16" (27)	1-1/8" (29)	3-9/16" (90)	42
GESXT-4	GESXT-4M	1-1/4"	5-1/16" (129)	4-1/8" (105)	3-9/16" (90)	3-7/16" (87)	1-1/16" (27)	1-1/8" (29)	3-9/16" (90)	42
GEJXT-5	GEJXT-5M	1-1/2"	6-1/4" (159)	4-3/8" (111)	4-7/8" (124)	3-9/16" (90)	1-1/2" (38)	1-3/16" (30)	4-7/8" (124)	75
GEJXT-6	GEJXT-6M	2"	6-1/4" (159)	4-3/8" (111)	4-7/8" (124)	3-9/16" (90)	1-1/2" (38)	1-3/16" (30)	4-7/8" (124)	75

LB TYPE OUTLET BODY*

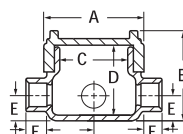
GEMLB-1	—	1/2"	2-13/16" (56)	3" (76)	2-1/16" (52)	2-5/16 (59)	11/16" (17)	13/16" (21)	2-1/16" (52)	8
GEMLB-2	—	3/4"	2-13/16" (56)	3" (76)	2-1/16" (52)	2-5/16 (59)	11/16" (17)	13/16" (21)	2-1/16" (52)	8
GECLBT-1	GECLBT-1M	1/2"	3-11/16" (93)	3-5/8" (92)	2-11/16" (68)	2-3/4" (70)	1" (25)	13/16" (21)	2-11/16" (68)	19
GECLBT-2	GECLBT-2M	3/4"	3-11/16" (93)	3-5/8" (92)	2-11/16" (68)	2-3/4" (70)	1" (25)	13/16" (21)	2-11/16" (68)	19
GECLBT-3	GECLBT-3M	1"	3-11/16" (93)	3-5/8" (92)	2-11/16" (68)	2-3/4" (70)	1" (25)	13/16" (21)	2-11/16" (68)	19
GESLBT-3	GESLBT-3M	1"	5-1/16" (129)	4-1/8" (105)	3-9/16" (90)	3-7/16" (87)	1-1/16" (27)	1-1/8" (29)	3-9/16" (90)	42
GESLBT-4	GESLBT-4M	1-1/4"	5-1/16" (129)	4-1/8" (105)	3-9/16" (90)	3-7/16" (87)	1-1/16" (27)	1-1/8" (29)	3-9/16" (90)	42
GEJLBT-5	GEJLBT-5M	1-1/2"	6-1/4" (159)	4-3/8" (111)	4-7/8" (124)	3-9/16" (90)	1-1/2" (38)	1-3/16" (30)	4-7/8" (124)	75
GEJLBT-6	GEJLBT-6M	2"	6-1/4" (159)	4-3/8" (111)	4-7/8" (124)	3-9/16" (90)	1-1/2" (38)	1-3/16" (30)	4-7/8" (124)	75

* For GROUP B applications, contact factory.

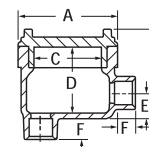
DIMENSIONS



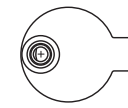
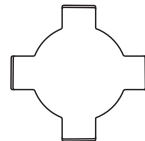
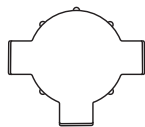
T Type



X Type



LB Type





FITTINGS
GE SERIES

ALUMINUM AND IRON OUTLET BODIES



GEM
TA Type



GEM
LA Type



GEM
CA Type



GESXAT
XA Type



GEC
EAT Type

LA TYPE OUTLET BODY*

CATALOG NUMBER		HUB SIZE	DIMENSIONS						COVER OPENINGS	VOLUME CU. IN.
KILLARK ALUM.	DURALOY IRON		A	B	C	D	E	F		
GEMLA-1	—	1/2"	2-13/16" (56)	3" (76)	2-1/16" (52)	2-5/16" (59)	11/16" (17)	13/16" (21)	2-1/16" (52)	8
GEMLA-2	—	3/4"	2-13/16" (56)	3" (76)	2-1/16" (52)	2-5/16" (59)	11/16" (17)	13/16" (21)	2-1/16" (52)	8

TAT TYPE OUTLET BODY*

GEMTA-1	—	1/2"	2-13/16" (56)	3" (76)	2-1/16" (52)	2-5/16" (59)	11/16" (17)	13/16" (21)	2-1/16" (52)	8
GEMTA-2	—	3/4"	2-13/16" (56)	3" (76)	2-1/16" (52)	2-5/16" (59)	11/16" (17)	13/16" (21)	2-1/16" (52)	8
GECTAT-2	GECTAT-2M	3/4"	3-11/16" (94)	3-5/8" (92)	2-11/16" (68)	2-3/4" (70)	1" (25)	13/16" (21)	2-11/16" (68)	19

XAT TYPE OUTLET BODY*

GESXAT-1	GESXAT-1M	1/2"	3-11/16" (94)	3-5/8" (92)	2-11/16" (68)	2-3/4" (70)	1" (25)	13/16" (21)	2-11/16" (68)	19
GESXAT-2	GESXAT-2M	3/4"	3-11/16" (94)	3-5/8" (92)	2-11/16" (68)	2-3/4" (70)	1" (25)	13/16" (21)	2-11/16" (68)	19
GESXAT-3	GESXAT-3M	1"	3-11/16" (94)	3-5/8" (92)	2-11/16" (68)	2-3/4" (70)	1" (25)	13/16" (21)	2-11/16" (68)	19
GESXAT-4	GESXAT-4M	1-1/4"	5-1/16" (128)	4-1/8" (105)	3-9/16" (90)	3-7/16" (87)	1-1/16" (27)	1-3/16" (30)	3-9/16" (90)	42

CAT TYPE OUTLET BODY*

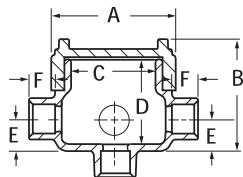
GEMCA-1	—	1/2"	2-13/16" (56)	3" (76)	2-1/16" (52)	2-5/16" (59)	11/16" (17)	13/16" (21)	2-1/16" (52)	8
GEMCA-2	—	3/4"	2-13/16" (56)	3" (76)	2-1/16" (52)	2-5/16" (59)	11/16" (17)	1-3/16" (30)	2-1/16" (52)	8
GECCAT-1	GECCAT-1M	1/2"	3-11/16" (94)	3-5/8" (92)	2-11/16" (68)	2-3/4" (70)	1" (25)	13/16" (21)	2-11/16" (68)	19
GESCAT-4	GESCAT-4M	1-1/4"	5-11/16" (144)	4-1/8" (105)	3-9/16" (90)	3-7/16" (87)	1-1/16" (27)	1-3/16" (30)	3-9/16" (90)	42

EAT TYPE OUTLET BODY*

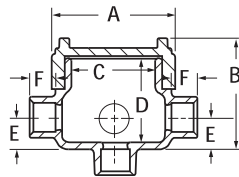
GECEAT-2	GECEAT-2M	3/4"	3-11/16" (94)	3-5/8" (92)	2-11/16" (68)	2-3/4" (70)	1" (25)	13/16" (21)	2-11/16" (68)	19
----------	-----------	------	---------------	-------------	---------------	-------------	---------	-------------	---------------	----

* For GROUP B applications, contact factory.

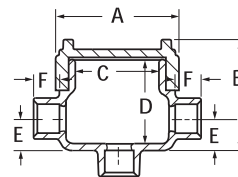
DIMENSIONS



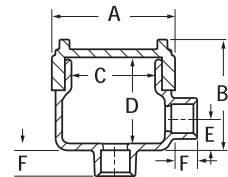
TAT Type



XAT Type



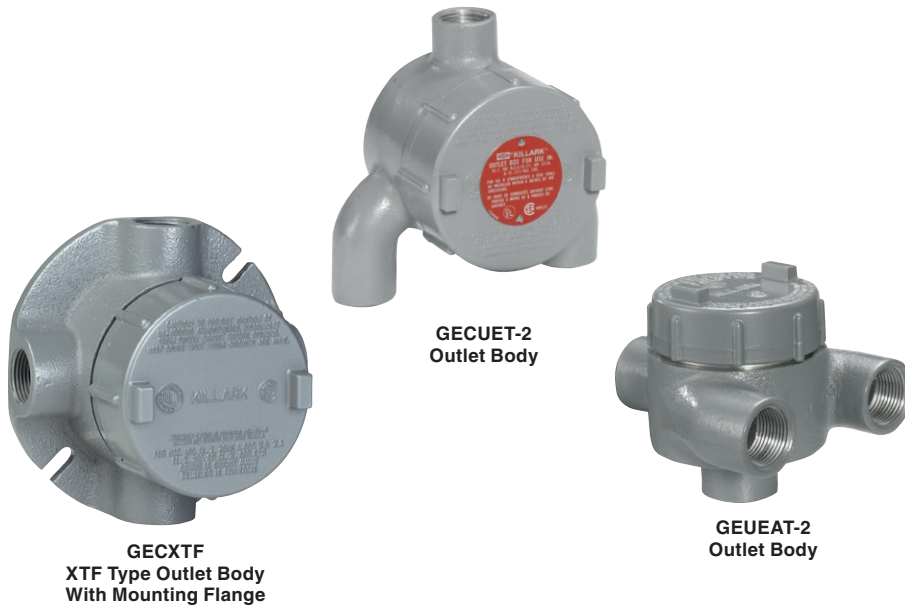
CAT Type



EAT Type



OUTLET BODIES WITH MOUNTING FLANGE



1/2", 3/4" and 1" Bodies
 Class I, Div. 1 & 2, Groups B, C,
 D Class I, Zone 1, Groups IIB,
 IIA Class II, Div. 1 & 2, Groups
 E, F, G Class III
TYPE 4, 4X

LISTED E 10514

LR11716

Applicable Third Party Standards

UL Standards: 886 and 1203

CSA Standard: C22.2 No. 30

Fed Spec: W-C-586D

Mil Spec: F-28675

FEATURES-SPECIFICATIONS

Materials

Aluminum

- **BODY** Copper-free aluminum (less than 1/100 of 1%)
- **FINISH** Electrostatically applied powder coating
- **COVER** (Aluminum) Copper-free aluminum (less than 1/100 of 1%). Electrostatically applied powder coating

Iron

- **BODY** Duraloy iron alloy
- **FINISH** Tri-Coat Finish of Electro zinc, Chromate Sealant, and electrostatically applied powder coating
- **COVER** (Aluminum) Copper-free aluminum (less than 1/100 of 1%). Electrostatically applied powder coating

Size Ranges:

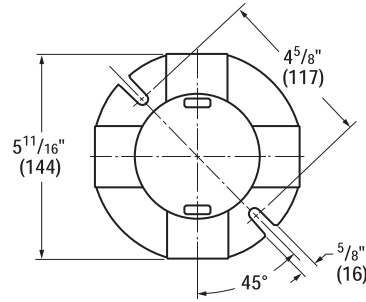
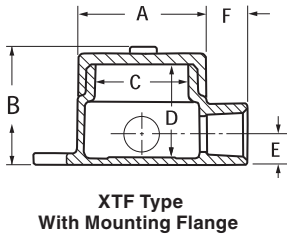
- Hub – 3/4" standard
 » optional 1/2" to 1" contact factory
- Cover opening – 2-1/16" or 2-1/8"



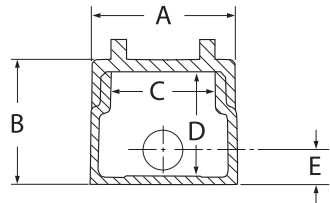
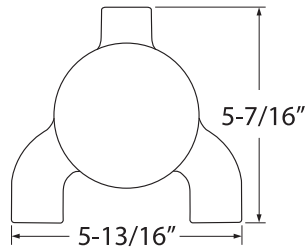
FITTINGS
GEC SERIES

OUTLET BODIES WITH MOUNTING FLANGE

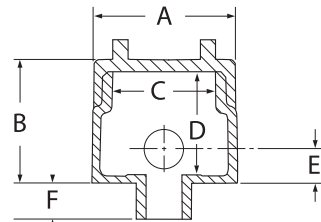
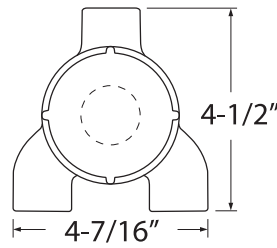
XTF TYPE OUTLET BODY*										
CATALOG NUMBER		HUB SIZE	DIMENSIONS						COVER OPENINGS	VOLUME CU. IN.
KILLARK ALUM.	DURALOY IRON		A	B	C	D	E	F		
GECXTF-1	GECXTF-1M	1/2"	3-11/16" (94)	3-5/8" (92)	2-11/16" (68)	2-3/4" (70)	1" (25)	13/16" (21)	2-11/16" (68)	19
GECXTF-2	GECXTF-2M	3/4"	3-11/16" (94)	3-5/8" (92)	2-11/16" (68)	2-3/4" (70)	1" (25)	13/16" (21)	2-11/16" (68)	19
GECXTF-3	GECXTF-3M	1"	3-11/16" (94)	3-5/8" (92)	2-11/16" (68)	2-3/4" (70)	1" (25)	13/16" (21)	2-11/16" (68)	19



GE TYPE OUTLET BODY*										
GEUET-2	GEUET-2M	3/4"	3-11/16" (94)	3-5/8" (92)	2-11/16" (68)	2-3/4" (70)	1" (25)	13/16" (21)	2-11/16" (68)	19
GEUEAT-2	GEUEAT-2M	3/4"	2-13/16" (56)	3" (76)	2-1/16" (52)	2-1/8" (54)	1" (25)	13/16" (21)	2-1/16" (52)	11



**GEUET-2
Outlet Body**



**GEUEAT-2
Outlet Body**



OUTLET BODIES ACCESSORIES



GECBC
Blank Cover



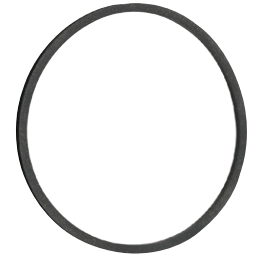
4GOU
Dome Cover



GL-375
Lens Cover



GECEY
Sealing Cover



GEC-RG
Gasket

Material/Finish

- Copper-free aluminum (less than 1/10 of 1%)
- Electrostatically applied powder coating
- Blank covers are supplied standard on all GE Series bodies
- Dome covers provide additional wiring room for splicing or accommodating components
- Clear cover lens for viewing
- Sealing cover used to convert body into sealing fitting
- Rubber gasket fits between cover and body to make assembly watertight

BLANK COVER	
CATALOG NUMBER	SERIES
GEMBC	GEM
GECBC	GEC marked Groups B, C, D, Type 4X
GECBCB	GEC marked Groups B, C, D, Type 4X
GESBC	GES
GRM-BC	GEJ
GECBCM	GEC marked Groups B, C, D

DOME COVER		
CATALOG NUMBER	SERIES	VOLUME CUBIC INCH
2GOU	GEC	13.3
4GOU	GEC	47.0
3GRMD	GEJ	55.0
5GRMD	GEJ	80.0

LENS COVER	
CATALOG NUMBER	SERIES
GL-375	GEJ

SEALING COVER [Ⓢ]	
CATALOG NUMBER	SERIES
GEMEY [Ⓢ]	GEM
GECEY [Ⓢ]	GEC
GESEY [Ⓢ]	GES
GEJEY [Ⓢ]	GEJ

[Ⓢ] Sealing Covers CSA only.

Since all Series GE boxes are listed with a blank cover, deduct the price of blank cover and add the price of the desired cover. Outlet bodies listed on preceding page.

GASKET	
CATALOG NUMBER	SERIES
GEM-RG	GEM
GEC-RG	GEC Flat
GEC-ORG	GEC O-Ring
GES-RG	GES
GRM-RG	GEJ



FITTINGS

GRUE SERIES

ALUMINUM AND IRON OUTLET BODIES



GRUE-75A



Class I, Div. 1 & 2, Groups B, C, D
Class I, Zone I, Groups IIC, IIB, IIA
Class II, Div. 1 & 2, Groups E, F, G
Class III
Type 4X



FEATURES-SPECIFICATIONS

Features

- Smooth, rounded integral bushing in each hub protects conductor insulation
- Cast in mounting lugs
- Green ground screw
- Cover and gasket furnished with box as standard
- 5 threaded hub locations includes 3 close-up plugs
- External threaded body provides additional wiring room
- Optional drilled and tapped metric threads – contact factory

Size Ranges

- Hub – ½”, ¾”, 1”
- Cover opening – 3-½”

Materials

Aluminum

- **BODY** Copper-free aluminum (less than ¼ of 1%)
- **FINISH** Electrostatically applied powder coating
- **COVER** (Aluminum) Copper-free aluminum (less than ¼ of 1%). Electrostatically applied powder coating

Iron

- **BODY** Duraloy iron alloy
- **FINISH** Tri-coat finish of electrozinc, chromate sealant, and electrostatically applied powder coating
- **COVER** (Aluminum) Copper-free aluminum (less than ¼ of 1%). Electrostatically applied powder coating



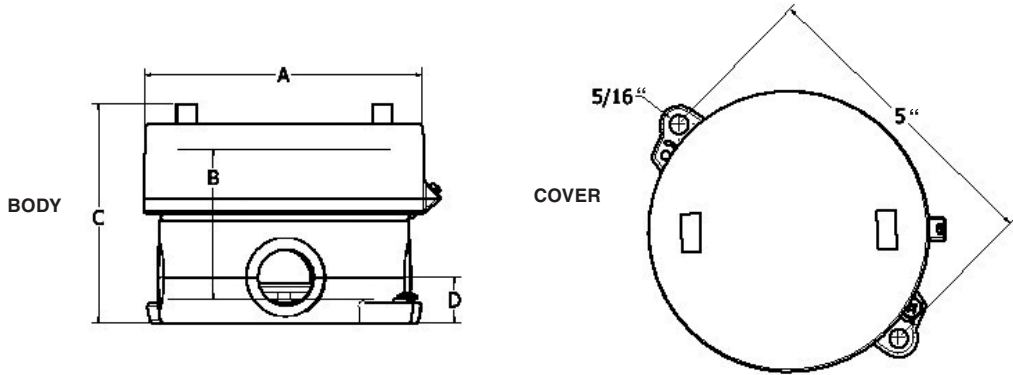
ALUMINUM AND IRON OUTLET BODIES

GRUE TYPE OUTLET BODY – ALUMINUM							
CATALOG NUMBER	HUB SIZE	DIMENSIONS				COVER OPENING	VOLUME CU. IN.
		A	B	C	D		
GRUE-50A	1/2"	4-1/2" (114)	2-3/8" (60)	3-1/2" (89)	11/16" (17)	3-1/2" (89)	25
GRUE-75A	3/4"	4-1/2" (114)	2-3/8" (60)	3-1/2" (89)	11/16" (17)	3-1/2" (89)	25
GRUE-100A	1"	4-1/2" (114)	2-3/8" (60)	3-1/2" (89)	15/16" (24)	3-1/2" (89)	25
GRUC-SCA	N/A	SEALING COVER				N/A	N/A

* For outlet body packaged with sealing cover add SC to catalog number, GRUE-50A-SC

GRUE TYPE OUTLET BODY – DURALOY IRON							
CATALOG NUMBER	HUB SIZE	DIMENSIONS				COVER OPENING	VOLUME CU. IN.
		A	B	C	D		
GRUE-50	1/2"	4-1/2" (114)	2-3/8" (60)	3-1/2" (89)	11/16" (17)	3-1/2" (89)	25
GRUE-75	3/4"	4-1/2" (114)	2-3/8" (60)	3-1/2" (89)	11/16" (17)	3-1/2" (89)	25
GRUE-100	1"	4-1/2" (114)	2-3/8" (60)	3-1/2" (89)	15/16" (24)	3-1/2" (89)	25
GRUC-SC	N/A	SEALING COVER				N/A	N/A

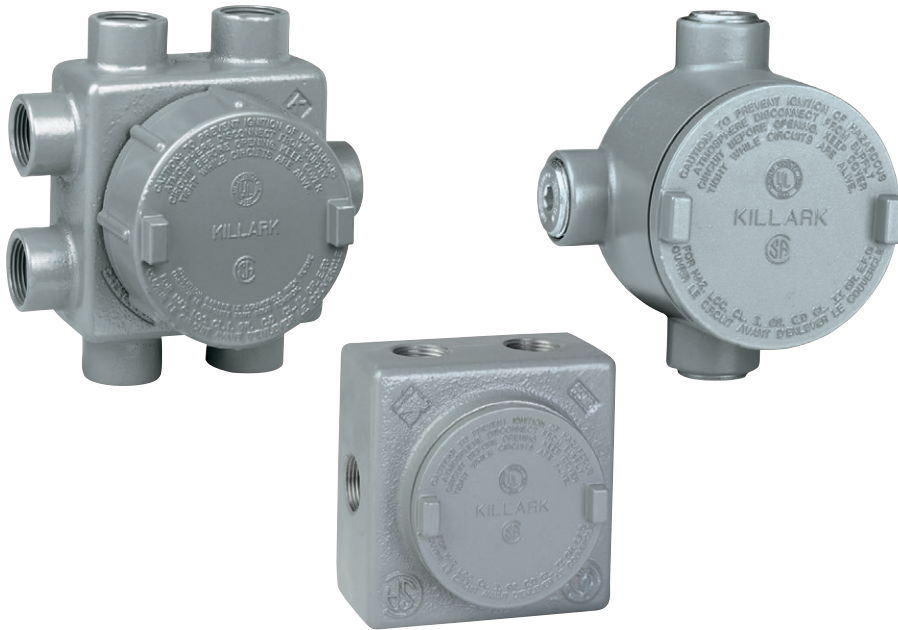
* For outlet body packaged with sealing cover add SC to catalog number, GRUE-50SC





FITTINGS
GR SERIES

OUTLET BODIES



Class I, Div. 1 & 2, Groups C, D
Class II, Div. 1 & 2, Groups E, F, G
Class III

LISTED - File E10514

Certified - File LR11716

FEATURES-SPECIFICATIONS

Features

GRSA

- Cast conduit hubs with integral bushings
- Cover included
- Replacement cover catalog number **GECBC**
- Five close-up plugs included
- Sealing, hub, dome covers and gaskets available

GRR

- Cast conduit hubs with integral bushings
- Blank cover included
- Replacement cover catalog number **GRRBC**
- Compact size
- Supplied with five hubs and three close-up plugs

GRSS/GRSSA

- Internal hubs
- Blank cover included (**CAT. NO. GRRBC**)
- Compact design and multiple hub configurations
- Furnished with internal ground screw
- Cast-in brackets on cover for use with breaker-bar tools

Materials

GRSA/GRR

- Copper-free aluminum (less than 4/10 of 1%)
- Electrostatically applied powder coating

GRSS Type

Furnished with seven internal hubs, two hubs are on the top and bottom, one each on the two sides and one hub in the back. Four close-up plugs supplied. Series GUM unions can be used.

Note: for mounting lugs on GRSS series, contact factory.

- Mounting lug slot 7/16"

GRSSA Type

Furnished with 13 hubs, two on each side and five in back. Five close-up plugs are supplied.

Aluminum Body/GR Series Cover

- Copper-free aluminum (less than 4/10 of 1%)
- Electrostatically applied powder coating

Duraloy Iron Body

- Duraloy iron alloy
- Tri-Coat finish of Electro zinc, Chromate Sealant and electrostatically applied powder coating



OUTLET BODIES



GRSA



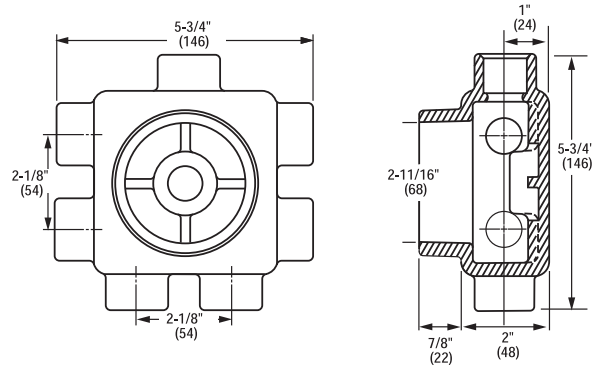
GRR



GRCEX-0
(For GRR & GRSS only)

GRSA W/BLANK COVER		
CATALOG NUMBER	HUBS	VOLUME CU. IN.
GRSA	Furnished with eight 3/4" hubs including one 3/4" flush hub in back center	26.5

DIMENSIONS

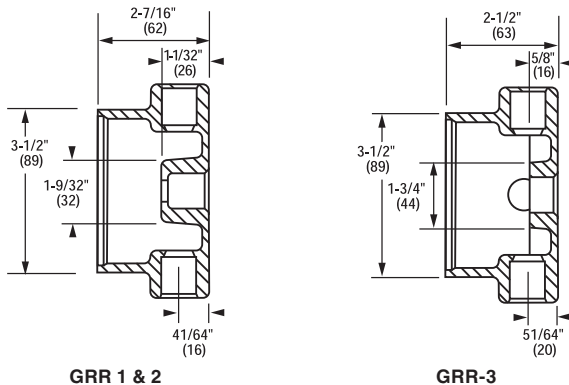


GRR W/ BLANK COVER		
CATALOG NUMBER	HUB SIZE	VOLUME CU. IN.
GRR-1	1/2"	13.0
GRR-2	3/4"	13.0
GRR-3	1"	14.0

GASKET (RUBBER)
CATALOG NUMBER
GEC-RG

EXTENSION*
CATALOG NUMBER
GRCEX-0

Blank Cover-only-GRRBC



* Adds 2-7/8" to body depth and 16.48 cu. in.



FITTINGS GR SERIES

OUTLET BODIES



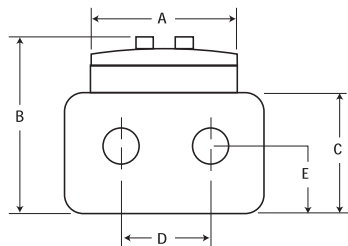
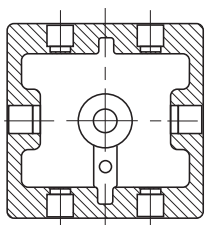
GRSS				
CATALOG NUMBER		HUB SIZE	NUMBER OF OPENINGS	NUMBER OF CLOSE-UP PLUGS FURNISHED
KILLARK ALUM.	DURALOY IRON			
GRSS-1	GRSS-1M	1/2"	7	4
GRSS-2	GRSS-2M	3/4"	7	4
GRSS-3	GRSS-3M	1"	7	4
GRSS WITH LUGS				
GRSS-1L	-	1/2"	7	4
GRSS-2L	-	3/4"	7	4
GRSS-3L	-	1"	7	4
GRSSA				
GRSSA-1	-	1/2"	13	5
GRSSA-2	-	3/4"	13	5

GASKET (RUBBER)
CATALOG NUMBER
GEC-RG

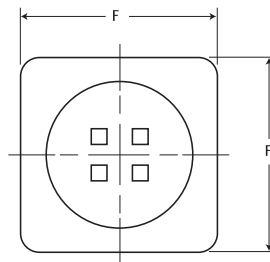
EXTENSION*
CATALOG NUMBER
GRCEX-0

* Adds 2-7/8" to bod depth and 16.48 cu. in.

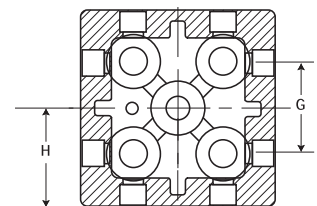
GRSS/GRSSA DIMENSIONS													
CATALOG NUMBER	HUB SIZE	NO. OF OPENINGS	CLOSE-UP PLUGS FURNISHED	DIMENSIONS IN INCHES								COVER OPENINGS	VOLUME CU. IN.
				A	B	C	D	E	F	G	H		
GRSS-1	1/2"	7	4	3-1/2"	3-1/2"	2-3/8"	2-1/8"	1-3/16"	4-5/8"	N/A	1-1/4"	3-1/8"	29
GRSS-2	3/4"	7	4	3-1/2"	3-1/2"	2-3/8"	2-1/8"	1-3/16"	4-5/8"	N/A	1-1/4"	3-1/8"	29
GRSS-3	1"	7	4	3-1/2"	3-1/2"	2-3/8"	2-1/8"	1-3/16"	4-5/8"	N/A	1-1/4"	3-1/8"	29
GRSSA-1	1/2"	13	5	3-1/2"	3-1/2"	2-3/8"	2-1/8"	1-3/16"	4-5/8"	2-1/8"	1-1/4"	3-1/8"	20
GRSSA-2	3/4"	13	5	3-1/2"	3-1/2"	2-3/8"	2-1/8"	1-3/16"	4-5/8"	2-1/8"	1-1/4"	3-1/8"	20



GRSS Dimensions

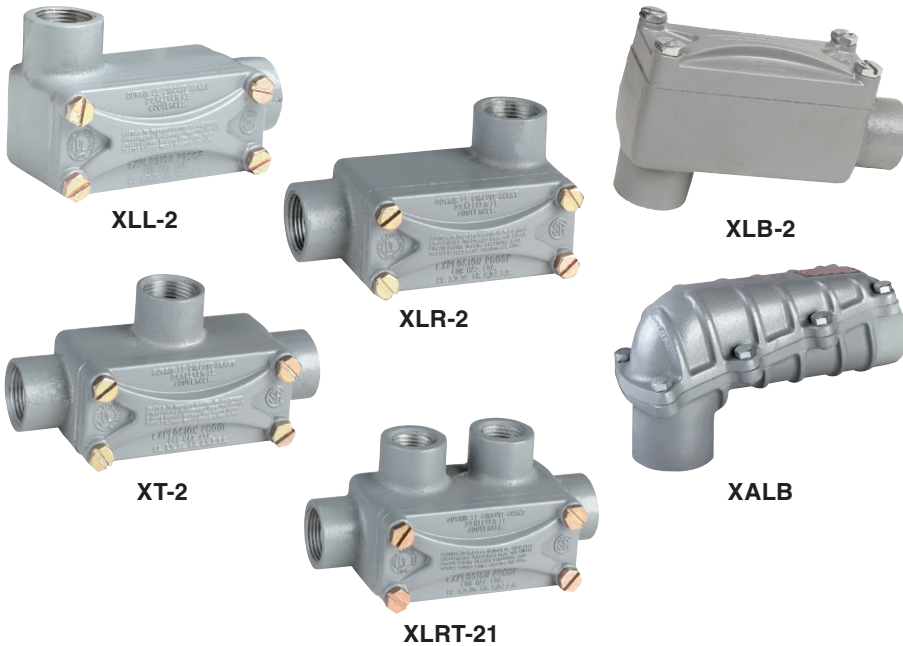


GRSSA Dimensions





CONDUIT BODIES



X Series
 Class I, Div. 1 & 2, Groups C, D[Ⓢ]
 Class II, Div. 1 & 2, Groups E, F, G
 Class III
 Type 3 & 3R with use of Duct Seal DS-1*

XALB Series
 Class I, Div. 1 & 2, Group D
 Class II, Div. 1 & 2, Groups E, F, G
 Class III

LISTED - File E10514

Certified - File LR11716

[Ⓢ] X Series 1" hub size suitable for Class I, Group D

FEATURES-SPECIFICATIONS

Features

- X**
- Integral bushings
 - Easy access covers
 - Six hub styles
 - Sizes 1/2", 3/4", 1"

XALB

- Integral bushings
- Easy access covers
- Sizes 1-1/4" thru 3"

Materials

- Copper-free aluminum (less than 1/10 of 1%)
- Electrostatically applied powder coating



FITTINGS X/XALB SERIES

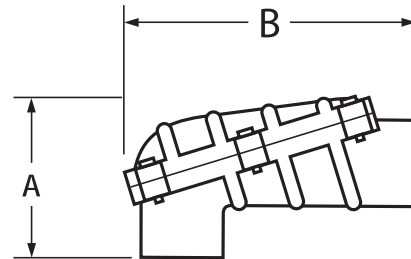
CONDUIT BODIES

X DIMENSIONS								
	CATALOG NUMBER	HUB SIZE	A LENGTH	B WIDTH	C HEIGHT	D	E	VOLUME CU. IN.
	XC-1	1/2"	5-9/16"	1-17/32"	2-1/8"	5/8"	—	4.3
	XC-2	3/4"	5-13/16"	1-3/4"	2-1/4"	11/16"	—	6.5
	XC-3	1"⊕	6-1/16"	2-3/8"	2-1/2"	7/8"	—	11.5
	XLL-1	1/2"	4-5/8"	2-7/16"	2-1/8"	5/8"	3/4"	4.3
	XLL-2	3/4"	4-29/32"	2-5/8"	2-1/4"	11/16"	7/8"	6.5
	XLL-3	1"⊕	5-9/16"	3-1/2"	2-1/2"	7/8"	7/8"	11.5
	XLB-1	1/2"	4-5/8"	1-17/32"	2-15/16"	5/8"	3/4"	4.3
	XLB-2	3/4"	4-29/32"	1-3/4"	3-1/8"	11/16"	11/16"	6.5
	XLB-3	1"⊕	5-17/32"	2-3/8"	3-5/8"	7/8"	7/8"	11.5
	XLR-1	1/2"	4-5/8"	2-7/16"	2-1/8"	5/8"	3/4"	4.3
	XLR-2	3/4"	4-29/32"	2-5/8"	2-1/4"	11/16"	7/8"	6.5
	XLR-3	1"⊕	5-9/16"	3-1/2"	2-1/2"	7/8"	7/8"	11.5
	XT-1	1/2"	5-9/16"	2-7/16"	2-1/8"	5/8"	—	4.3
	XT-2	3/4"	5-13/16"	2-5/8"	2-1/4"	11/16"	—	6.5
	XT-3	1"⊕	6-11/16"	3-1/2"	2-1/2"	7/8"	—	11.5
	XLRT-21	3/4" Ends 1/2" Side	5-3/4"	2-21/32"	2-1/2"	11/16"	—	7
	XLRT-22	3/4" End 3/4" Side	5-3/4"	2-21/32"	2-1/2"	11/16"	—	7

XALB CONDUIT BODIES		
CATALOG NUMBER	HUB SIZE	VOLUME CU. IN.
XALB-4	1-1/4"	27
XALB-5	1-1/2"	27
XALB-6	2"	70
XALB-7	2-1/2"	>100
XALB-8	3"	>100

XALB Series suitable for Class 1, Group D only.

XALB DIMENSIONS			
CONDUIT SIZE	A OVERALL DEPTH	B LENGTH OF BODY	WIDTH OF BODY
1-1/4"	4-1/16"(103)	7-3/4"(197)	3-15/16"(100)
1-1/2"	4-1/16"(103)	7-3/4"(197)	3-15/16"(100)
2"	5-7/8"(149)	11-1/8"(282)	4-3/4"(121)
2-1/2"	8-1/4"(209)	17-1/2"(444)	6-7/16"(163)
3"	8-1/4"(209)	17-1/2"(444)	6-7/16"(163)





OUTLET BODIES



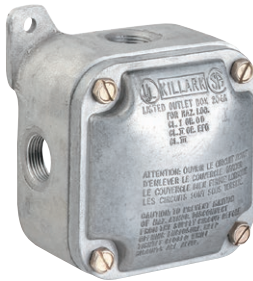
JLC-20



JLX-21



JCB



JALX-20



JALX-22



JAH-2

Class I, Div. 1 & 2, Groups C, D
Class II, Div. 1 & 2, Groups E, F, G
Class III

 LISTED - File E10514

 Certified - File LR11716

FEATURES-SPECIFICATIONS

Features

- Option of blank or hub covers
- Cast mounting lugs
- Large wiring area
- Furnished with internal ground screw
- Hub covers include set screws for locking to lighting fixture stems
- JL – Cast external hubs with integral bushings
- JAL – Four drilled and tapped conduit openings in an “x” configuration (three, close-up plugs included to allow five variations from one body)
- Option of blank or hub covers

Materials

- Copper-free aluminum (less than 1/10 of 1%)
- Natural Finish

Electrical Rating

- Push button stations, selector switches 600 VAC max. heavy duty.
- Pilot Light Electrical Ratings: 250 VAC max.



FITTINGS JL/JAL SERIES

OUTLET BODIES

JL OUTLET BODIES WITH COVER					
CATALOG NUMBER		BOX TYPE	CONDUIT SIZE		BOX ONLY VOL. CU. IN.
WITH BLANK COVER	WITH HUB COVER		BOX ^①	COVER	
JLC-10	JLC-11	C	1/2"	1/2"	12.5
—	JLC-12	C	1/2"	3/4"	12.5
JLC-20	JLC-21	C	3/4"	1/2"	12.5
—	JLC-22	C	3/4"	3/4"	12.5
JLX-10	JLX-11	X	1/2"	1/2"	12.5
—	JLX-12	X	1/2"	3/4"	12.5
JLX-20	JLX-21	X	3/4"	1/2"	12.5
—	JLX-22	X	3/4"	3/4"	12.5

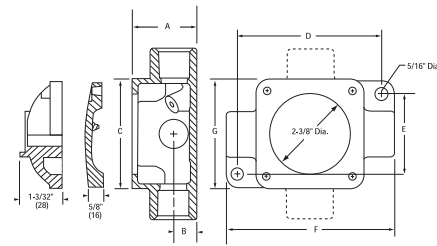
① To order box only omit last digit of catalog number.

JAL OUTLET BODIES WITH COVER					
CATALOG NUMBER		TYPE	CONDUIT SIZE		BOX ONLY VOL. CU. IN.
WITH BLANK COVER	WITH HUB COVER		BOX ^①	COVER	
JALX-10	JALX-11	X	1/2"	1/2"	26.5
—	JALX-12	X	1/2"	3/4"	26.5
JALX-20	JALX-21	X	3/4"	1/2"	26.5
—	JALX-22	X	3/4"	3/4"	26.5
JALX-30	JALX-31	X	1"	1/2"	26.5
—	JALX-32	X	1"	3/4"	26.5
JALX-40	—	X	1-1/4" ^②	1/2"	39

① To order box only omit last digit of catalog number.

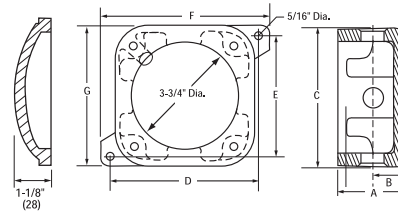
② 1-1/4" for Class I, Group D.

REPLACEMENT HUB COVER				
CATALOG NUMBER	SERIES	HUB SIZE	DEPTH	VOLUME CU. IN.
JH-1	JL	1/2"	1-3/32"	1.5
JH-2	JL	3/4"	1-3/32"	1.5
JAH-1	JAL	1/2"	1-1/8"	6.5
JAH-2	JAL	3/4"	1-1/8"	6.5



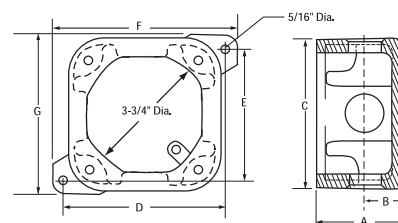
JL 1-2

REPLACEMENT BLANK COVER			
CATALOG NUMBER	SERIES	DEPTH	VOLUME CU. IN.
JCB	JL	5/8"	1.0
JABC	JAL	1-1/8"	7.5



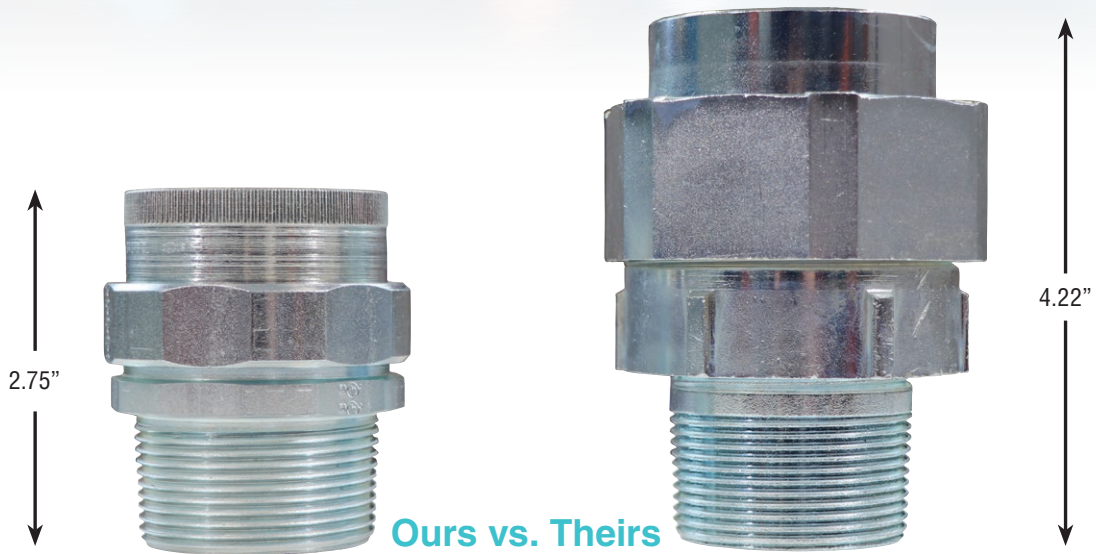
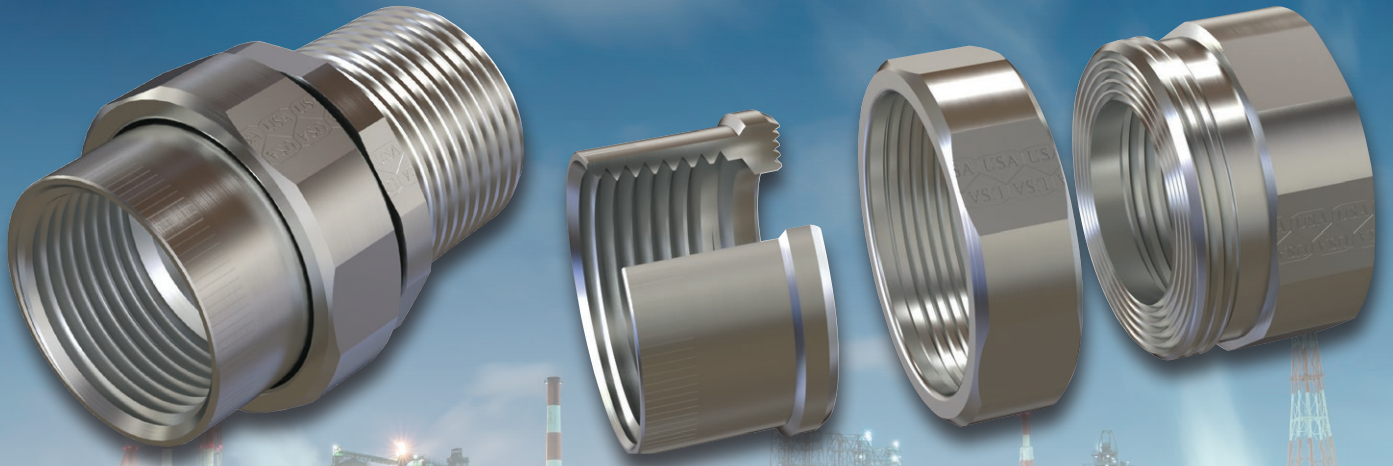
JAL 1-3

DIMENSIONS							
SERIES	A	B	C	D	E	F	G
JL 1/2", 3/4"	1-15/16"	11/16"	3-1/4"	4-7/32"	2-3/8"	5-1/8"	3-1/4"
JAL 1/2", 3/4", 1"	2-3/8"	1-5/32"	4-3/4"	5-1/4"	4-1/8"	5-7/8"	4-3/4"
JAL 1-1/4"	3-3/16"	1-17/32"	4-5/8"	5-1/4"	4-1/8"	5-7/8"	4-13/16"



JAL 4

FITTINGS
UNF/UNY UNIONS



Side by Side comparison of UNY 1-1/2" vs Competition UNY 1-1/2"

**STEEL:** $\frac{1}{2}$ " – 1- $\frac{1}{4}$ "Class I, Div. 1 & 2, Groups A, B, C, D
1- $\frac{1}{2}$ ", 3", 3- $\frac{1}{2}$ ", 4"Class I, Div. 1 & 2, Groups B, C, D
2", 2- $\frac{1}{2}$ "

Class I, Div. 1 & 2, Groups C, D

Class II, Div. 1 & 2, Groups E, F, G
Class III**ALUMINUM:** $\frac{1}{2}$ " – 1"Class I, Div. 1 & 2, Groups A, B, C, D
3" – 4"Class I, Div. 1 & 2, Groups B, C, D
1- $\frac{1}{4}$ " – 2- $\frac{1}{2}$ "

Class I, Div. 1 & 2, Groups C, D

Class II, Div. 1 & 2 Groups E, F, G
Class III

E10514

Type 3, 4

Tamb US -25°C to +60°C

Tamb Can. -50°C to +60°C

FEATURES-SPECIFICATIONS**Applications**

- UNF/UNY unions are used to connect two pieces of conduit or attach conduit to junction boxes, fittings, or devices
- Permits removal of equipment without turning or removal of conduit

Features

- Unique design offers a compact size for lighter weight and smaller profile for critical clearances with equipment
- Extruded bar stock construction provides superior threads over sand cast and provides twice the tensile strength
- Uniform design across all sizes for aesthetic and robust appeal
- Made in the USA
- Male to Female union has nonremovable nipple to ensure tight seal with union and pipe/equipment
- Lighter weight puts less stress on the conduit support system

Materials

- Copper-free Aluminum
 - » (less than $\frac{1}{10}$ of 1%)
- Steel
 - » Zinc electro plated



FEMALE TO FEMALE

CATALOG NUMBER ALUMINUM	HUB SIZE	DIMENSIONS			CATALOG NUMBER STEEL	HUB SIZE	DIMENSIONS		
		A LENGTH	B (HEX)	C DIAMETER			A LENGTH	B (HEX)	C DIAMETER
UNF50AL	1/2"	1-9/16" (39.7)	1-5/16" (33.3)	1-3/8" (34.9)	UNF50	1/2"	1-9/16" (39.7)	1-5/16" (33.3)	1-3/8" (34.9)
UNF75AL	3/4"	1-9/16" (39.7)	1-7/16" (36.5)	1-1/2" (38.1)	UNF75	3/4"	1-9/16" (39.7)	1-7/16" (36.5)	1-1/2" (38.1)
UNF100AL	1"	1-13/16" (45.9)	1-11/16" (42.9)	1-3/4" (44.5)	UNF100	1"	1-13/16" (45.9)	1-11/16" (42.9)	1-3/4" (44.5)
UNF125AL	1-1/4"	1-15/16" (49.3)	2-1/16" (52.4)	2-3/16" (55.6)	UNF125	1-1/4"	1-15/16" (49.3)	2-1/16" (52.4)	2-3/16" (55.6)
UNF150AL	1-1/2"	1-15/16" (49.3)	2-5/16" (58.7)	2-3/8" (60.3)	UNF150	1-1/2"	1-15/16" (49.3)	2-5/16" (58.7)	2-3/8" (60.3)
UNF200AL	2"	1-15/16" (49.3)	2-13/16" (71.4)	2-7/8" (73)	UNF200	2"	1-15/16" (49.3)	2-13/16" (71.4)	2-7/8" (73)
UNF250AL	2-1/2"	2-13/16" (71.4)	3-15/16" (100)	4" (101.6)	UNF250	2-1/2"	2-13/16" (71.4)	3-1/4" (82.55)	3-3/8" (85.7)
UNF300AL	3"	2-13/16" (71.4)	4-7/16" (112.7)	4-9/16" (115.9)	UNF300	3"	2-13/16" (71.4)	3-15/16" (100)	4" (101.6)
UNF350AL	3-1/2"	3" (76.2)	4-15/16" (125.4)	5-1/16" (128.6)	UNF350	3-1/2"	3" (76.2)	4-7/16" (112.7)	4-9/16" (115.9)
UNF400AL	4"	3" (76.2)	4-15/16" (125.4)	5-1/8" (130.2)	UNF400	4"	3" (76.2)	4-15/16" (125.4)	5-1/16" (128.6)

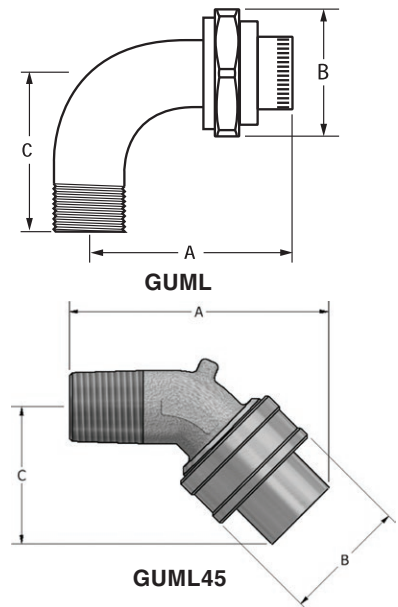
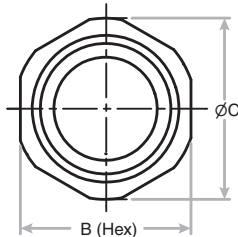
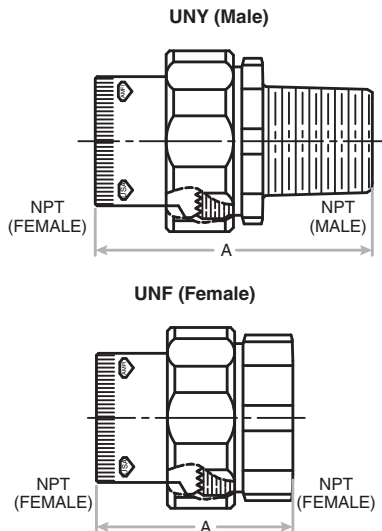
MALE TO FEMALE

UNY50AL	1/2"	2-1/16" (52.4)	1-5/16" (33.3)	1-3/8" (34.9)	UNY50	1/2"	2-1/16" (52.4)	1-5/16" (33.3)	1-3/8" (34.9)
UNY75AL	3/4"	2-1/8" (54)	1-7/16" (36.5)	1-1/2" (38.1)	UNY75	3/4"	2-1/8" (54)	1-7/16" (36.5)	1-1/2" (38.1)
UNY100AL	1"	2-7/16" (61.9)	1-11/16" (42.9)	1-3/4" (44.5)	UNY100	1"	2-7/16" (61.9)	1-11/16" (42.9)	1-3/4" (44.5)
UNY125AL	1-1/4"	2-9/16" (65.1)	2-1/16" (52.4)	2-3/16" (55.6)	UNY125	1-1/4"	2-9/16" (65.1)	2-1/16" (52.4)	2-3/16" (55.6)
UNY150AL	1-1/2"	2-3/4" (69.9)	2-5/16" (58.7)	2-3/8" (60.3)	UNY150	1-1/2"	2-3/4" (69.9)	2-5/16" (58.7)	2-3/8" (60.3)
UNY200AL	2"	2-7/8" (73)	2-13/16" (71.4)	2-7/8" (73)	UNY200	2"	2-7/8" (73)	2-13/16" (71.4)	2-7/8" (73)
UNY250AL	2-1/2"	4-1/16" (103.2)	3-15/16" (100)	4" (101.6)	UNY250	2-1/2"	4-1/16" (103.2)	3-1/4" (82.55)	3-3/8" (85.7)
UNY300AL	3"	4-1/16" (103.2)	4-7/16" (112.7)	4-9/16" (115.9)	UNY300	3"	4-1/16" (103.2)	3-15/16" (100)	4" (108)
UNY350AL	3-1/2"	4-1/4" (108)	4-15/16" (125.4)	5-1/16" (128.6)	UNY350	3-1/2"	4-1/4" (108)	4-7/16" (112.7)	4-9/16" (115.9)
UNY400AL	4"	4-1/4" (108)	4-15/16" (125.4)	5-1/8" (130.2)	UNY400	4"	4-1/4" (108)	4-15/16" (125.4)	5-1/16" (128.6)

90° AND 45° ANGLE UNIONS

CAT. NO. KILLARK ALUM.	HUB SIZE	DIMENSIONS			CAT. NO. STEEL/IRON	HUB SIZE	DIMENSIONS		
		A DIA.	B LENGTH	C			A DIA.	B LENGTH	C
GUML-1	1/2"	2-1/2" (64)	1-7/16" (37)	1-3/4" (44)	GUML-1M	1/2"	2-1/4" (32)	1-1/2" (38)	1-5/8" (42)
GUML-2	3/4"	2" (51)	1-5/8" (42)	1-5/8" (42)	GUML-2M	3/4"	2-1/4" (32)	1-3/4" (44)	2" (51)
GUML451	1/2"	3" (76)	1-7/16" (37)	1-9/16" (40)					
GUML452	3/4"	3-3/16" (81)	1-5/8" (41)	1-3/4" (45)					

DIMENSIONS





FITTINGS GU/UN SERIES

UNIONS - ATEX/IEC EX CERTIFIED



ATEX / IEC Ex Certified

File nos. CML 16ATEX 1325X

IECEX QPS16.0012X

Ex db IIC Gb

Ex tb IIIC Db IP65

UL LISTED E 10514

CS Certified LR11716



FEMALE TO FEMALE - QUAD LISTED

CAT. NO. KILLARK ALUM.	HUB SIZE	DIMENSIONS		CAT. NO. STEEL/IRON	HUB SIZE	DIMENSIONS	
		A DIAMETER	B LENGTH			A DIAMETER	B LENGTH
GUF-1-EX	1/2"	1-7/16"(37)	1-7/8"(48)	UNF1-EX	1/2"	1-1/2"(37)	1-55/64"(47)
GUF-2-EX	3/4"	1-5/8"(41)	1-15/16"(49)	UNF2-EX	3/4"	1-3/4"(45)	1-59/64"(49)
GUF-3-EX	1"	2"(51)	2-29/64"(62)	UNF3-EX	1"	2"(51)	2-7/16"(62)
GUF-4-EX	1-1/4"	2-3/8"(60)	2-1/2"(63)	UNF4-EX	1-1/4"	2-27/32"(72)	2-1/4"(57)
GUF-5-EX	1-1/2"	2-5/8"(67)	2-1/2"(63)	UNF5-EX	1-1/2"	3-3/32"(79)	2-7/16"(62)
GUF-6-EX	2"	3-1/4"(82)	2-5/8"(67)	UNF6-EX	2"	3-3/4"(95)	2-5/8"(67)
GUF-7-EX	2-1/2"	4-1/2"(114)	3"(76)	UNF7-EX	2-1/2"	4-1/2"(114)	3"(76)
GUF-8-EX	3"	5-3/8"(136)	3-1/16"(78)	UNF8-EX	3"	5-3/8"(136)	3-1/16"(78)
GUF-9-EX	3-1/2"	6-1/4"(159)	3-9/16"(90)	UNF9-EX	3-1/2"	6-1/4"(159)	3-9/16"(90)
GUF-0-EX	4"	6-1/4"(159)	3-9/16"(90)	UNF0-EX	4"	6-1/4"(159)	3-9/16"(90)

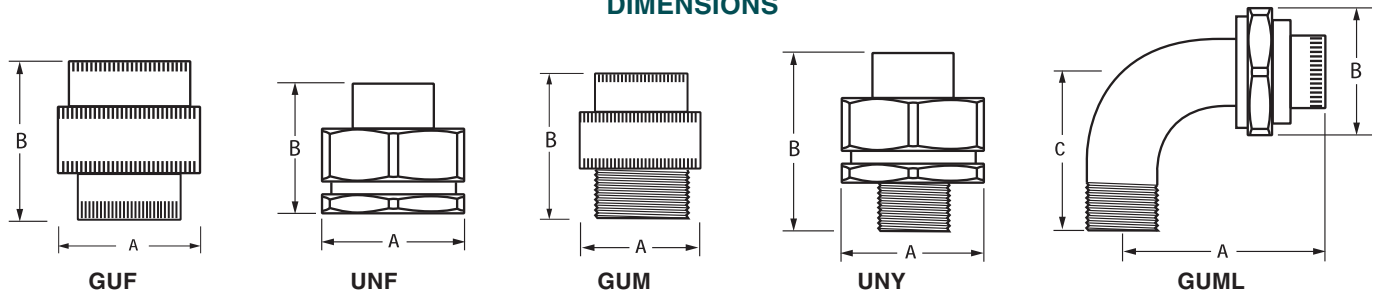
MALE TO FEMALE - QUAD LISTED

GUM-1-EX	1/2"	1-7/16"(37)	2-1/2"(64)	UNY1-EX	1/2"	1-1/2"(37)	2-9/16"(65)
GUM-2-EX	3/4"	1-5/8"(41)	2-9/16"(65)	UNY2-EX	3/4"	1-3/4"(45)	2-5/8"(67)
GUM-3-EX	1"	2"(51)	3-3/64"(77)	UNY3-EX	1"	2-1/32"(52)	3-5/64"(78)
GUM-4-EX	1-1/4"	2-3/8"(60)	3-1/4"(83)	UNY4-EX	1-1/4"	2-15/16"(75)	3-1/4"(83)
GUM-5-EX	1-1/2"	2-5/8"(67)	3-1/4"(83)	UNY5-EX	1-1/2"	3-3/16"(81)	3-1/2"(89)
GUM-6-EX	2"	3-1/4"(82)	3-5/8"(92)	UNY6-EX	2"	3-3/4"(95)	4"(102)
GUM-7-EX	2-1/2"	4-1/2"(114)	4-15/16"(125)	UNY7-EX	2-1/2"	4-1/2"(114)	4-15/16"(125)
GUM-8-EX	3"	5-3/8"(136)	5-7/32"(133)	UNY8-EX	3"	5-3/8"(133)	5-7/32"(133)
GUM-9-EX	3-1/2"	6-1/4"(159)	5-13/16"(148)	UNY9-EX	3-1/2"	6-1/4"(159)	5-13/16"(148)
GUM-0-EX	4"	6-1/4"(159)	5-13/16"(148)	UNY0-EX	4"	6-1/4"(159)	5-13/16"(148)

90° ANGLE UNION - QUAD LISTED

CAT. NO. KILLARK ALUM.	HUB SIZE	DIMENSIONS			CAT. NO. STEEL/IRON	HUB SIZE	DIMENSIONS		
		A DIA.	B LENGTH	C			A DIA.	B LENGTH	C
GUML-1-EX	1/2"	2-1/2" (64)	1-7/16" (37)	1-3/4" (44)	GUML-1M-EX	1/2"	2-1/4" (32)	1-1/2" (38)	1-5/8" (42)
GUML-2-EX	3/4"	2" (51)	1-5/8" (42)	1-5/8" (42)	GUML-2M-EX	3/4"	2-1/4" (32)	1-3/4" (44)	2" (51)

DIMENSIONS





EXPANSION CONDUIT UNIONS



UNFS Type Female/Female



UNFL Type Female/Female



UNYS Type Male/Female



UNYL Type Male/Female

Class I, Div. 1 & 2, Groups C,D
Class I, Zone 1, Groups IIB, IIA
Class II, Div. 1 & 2, Groups E,F,G
Class III

UL Standards 886 and 1203
CSA Standard C22.2 No. 30
Mil Spec: MIL-F28675

UL LISTED E 10514

SF LR11716

FEATURES-SPECIFICATIONS

UNFS & UNYS – Standard Length

UNFL & UNYL – Long Length

Features

- Tapered threaded hubs (NPT) for rigid conduit and IMC
- Telescoping components allows conduit to be inserted between fixed threaded hubs
- Internal zinc plated carbon steel spring with dichromate dip assures positive grounding
- Close tolerance of mating parts eliminates passage of flame
- Compact diameter allows use where conduit is closely spaced
- Available in standard and long style, male and female version

Materials

- **BODY/SLEEVE** – Steel/Zinc Electroplate
- **GROUNDING SPRING** – Zinc plated carbon steel spring/Natural Finish



FITTINGS

UNF/UNY SERIES

EXPANSION CONDUIT UNIONS

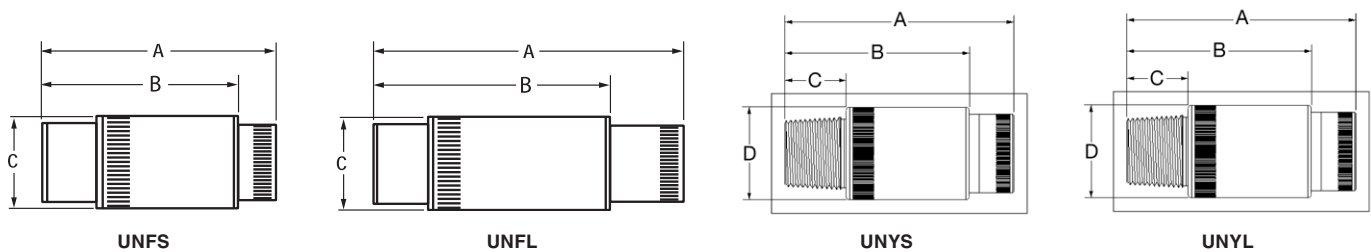
FEMALE – SHORT					
CATALOG NUMBER	HUB SIZE	DIMENSIONS			
		MAXIMUM LENGTH "A"	MAXIMUM LENGTH "B"	DIAMETER "C"	MALE THREAD LENGTH "D"
UNFS1	1/2"	3.34" (85)	2.84" (72)	1.19" (30)	—
UNFS2	3/4"	3.53" (90)	2.97" (75)	1.44" (37)	—
UNFS3	1"	3.69" (94)	3.08" (78)	1.69" (43)	—

FEMALE – LONG					
CATALOG NUMBER	HUB SIZE	DIMENSIONS			
		MAXIMUM LENGTH "A"	MAXIMUM LENGTH "B"	DIAMETER "C"	MALE THREAD LENGTH "D"
UNFL1	1/2"	4.34" (110)	3.34" (85)	1.19" (30)	—
UNFL2	3/4"	4.53" (115)	3.47" (88)	1.44" (37)	—
UNFL3	1"	4.69" (119)	3.58" (91)	1.69" (43)	—

MALE – SHORT					
CATALOG NUMBER	HUB SIZE	DIMENSIONS			
		MAXIMUM LENGTH "A"	MAXIMUM LENGTH "B"	DIAMETER "C"	MALE THREAD LENGTH "D"
UNYS1	1/2"	3.48" (88)	2.97" (75)	1.19" (30)	.875" (22)
UNYS2	3/4"	3.60" (91)	3.03" (77)	1.44" (37)	.875" (22)
UNYS3	1"	3.93" (100)	3.15" (80)	1.69" (43)	1.100" (28)

MALE – LONG					
CATALOG NUMBER	HUB SIZE	DIMENSIONS			
		MAXIMUM LENGTH "A"	MAXIMUM LENGTH "B"	DIAMETER "C"	MALE THREAD LENGTH "D"
UNYL1	1/2"	4.48" (114)	3.48" (88)	1.19" (30)	.875" (22)
UNYL2	3/4"	4.60" (117)	3.53" (90)	1.44" (37)	.875" (22)
UNYL3	1"	4.75" (121)	3.65" (93)	1.69" (43)	1.100" (28)

DIMENSIONS





THREADED INSERT PLUGS



NON-ATEX and IEC Ex certified
 Class I, Groups A, B, C, D
 Class I, Zone 1, Groups IIC, IIB, IA
 Class II, Groups E, F, G
 Class III
 UL Standards 886 and 1203
 CSA Standard: C22.2 No. 30



ATEX / IEC Ex Certified

File nos. SIRA 13ATEX1196U Issue: 1

Ex II 2 G D

Ex d IIC Gb

Ex e IIC Gb

Ex tb IIIC Db

Ta = -50°C to +60°C

File nos. IECEx SIR 13.0073U Issue: 1

Ex d IIC Gb

EX e IIC Gb

EX tb IIIC Db

Ta = -50°C to +60°C

UL LISTED E 10514

SP Certified LR11716

FEATURES-SPECIFICATIONS

Features

- Threaded hubs (NPT)
- Square head and recessed head available (square head only in AL)

Materials

RECESSED STYLE

COPPER-FREE ALUMINUM – 3/8" - 4"
 (less than 4/10 of 1%)

- Natural Finish

STEEL – 1/2" - 1"

- Zinc Plated

IRON – 1-1/4" - 4"

- Zinc Plated

SQUARE HEAD STYLE

COPPER-FREE ALUMINUM – 1/4" - 4"
 (less than 4/10 of 1%)

- Natural Finish



FITTINGS

CUP/PLUG SERIES

THREADED INSERT PLUGS RECESSED STYLE



Recessed Plug
Cup - 375 to 6
Plug 375 to 3



Recessed Plug
Cup - 7 to 8
Plug 7 to 10



Recessed Plug
Plug 4 to 6

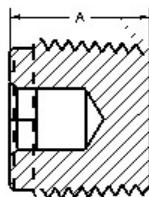


Recessed Plug
Plug - 9 to 0

RECESSED PLUG - KILLARK ALUMINUM				
CATALOG NUMBER	HUB SIZE	THREAD SPECIFICATION	PLUG LENGTH A	RECESS DRIVE SIZE
CUP-375	3/8"	3/8"- 18 NPT	37/64" (14.7)	1/4" Allen key
CUP-1	1/2"	1/2"- 14 NPT	19/32" (15.1)	3/8" Allen key
CUP-2	3/4"	3/4"- 14 NPT	19/32" (15.1)	3/8" Allen key
CUP-3	1"	1"- 11-1/2 NPT	5/8" (15.9)	3/8" Allen key
CUP-4	1-1/4"	1-1/4"- 11-1/2 NPT	1" (25.4)	1/2" Allen key
CUP-5	1-1/2"	1-1/2"- 11-1/2 NPT	1" (25.4)	1/2" Allen key
CUP-6	2"	2"- 11-1/2 NPT	1" (25.4)	1/2" Allen key
CUP-7	2-1/2"	2-1/2"- 8 NPT	1-5/32" (29.4)	1/4" Slot
CUP-8	3"	3"- 8 NPT	1-5/32" (29.4)	1/4" Slot
CUP-9	3-1/2"	3-1/2"- 8 NPT	1-5/16" (33.3)	Pry Tabs
CUP-0	4"	4"- 8 NPT	1-5/16" (33.3)	Pry Tabs

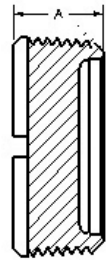
RECESSED PLUG - STEEL/IRON				
CATALOG NUMBER	HUB SIZE	THREAD SPECIFICATION	PLUG LENGTH A	RECESS DRIVE SIZE
PLUG375	3/8"	3/8"- 18 NPT	37/64" (14.7)	1/4" Allen key
PLUG1	1/2"	1/2"- 14 NPT	19/32" (15.1)	1/4" Allen key
PLUG2	3/4"	3/4"- 14 NPT	19/32" (15.1)	5/16" Allen key
PLUG3	1"	1"- 11-1/2 NPT	5/8" (15.9)	3/8" Allen key
PLUG4	1-1/4"	1-1/4"- 11-1/2 NPT	1" (25.4)	3/4" Square
PLUG5	1-1/2"	1-1/2"- 11-1/2 NPT	1" (25.4)	3/4" Square
PLUG6	2"	2"- 11-1/2 NPT	1" (25.4)	3/4" Square
PLUG7	2-1/2"	2-1/2"- 8 NPT	1-5/32" (29.4)	1/4" Slot
PLUG8	3"	3"- 8 NPT	1-5/32" (29.4)	1/4" Slot
PLUG9	3-1/2"	3-1/2"- 8 NPT	1-5/16" (33.3)	1/4" Slot
PLUG10	4"	4"- 8 NPT	1-5/16" (33.3)	1/4" Slot

Recessed Plug



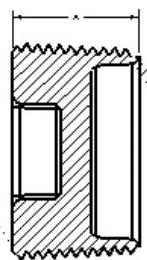
CUP-375 to 6
PLUG 375 to 3

Recessed Plug



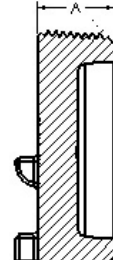
CUP-7 to 8
PLUG 7 to 10

Recessed Plug



PLUG 4 to 6

Recessed Plug



CUP-9 to 0



THREADED INSERT PLUGS RECESSED STYLE - ATEX/IEC EX CERTIFIED



**Recessed Plug
 Cup - 375 to 6
 Plug 375 to 3**



**Recessed Plug
 Cup - 7 to 8
 Plug 7 to 10**



**Recessed Plug
 Plug 4 to 6**

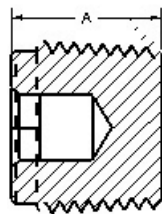
RECESSED PLUG - KILLARK ALUMINUM

CATALOG NUMBER	HUB SIZE	THREAD SPECIFICATION	PLUG LENGTH A	RECESS DRIVE SIZE
CUP-1-EX	1/2"	1/2"- 14 NPT	19/32" (15.1)	3/8" Allen key
CUP-2-EX	3/4"	3/4"- 14 NPT	19/32" (15.1)	3/8" Allen key
CUP-3-EX	1"	1"- 11-1/2 NPT	5/8" (15.9)	3/8" Allen key
CUP-4-EX	1-1/4"	1-1/4"- 11-1/2 NPT	1" (25.4)	1/2" Allen key
CUP-5-EX	1-1/2"	1-1/2"- 11-1/2 NPT	1" (25.4)	1/2" Allen key
CUP-6-EX	2"	2"- 11-1/2 NPT	1" (25.4)	1/2" Allen key
CUP-7-EX	2-1/2"	2-1/2"- 8 NPT	1-5/32" (29.4)	1/4" Slot
CUP-8-EX	3"	3"- 8 NPT	1-5/32" (29.4)	1/4" Slot

RECESSED PLUG - STEEL/IRON

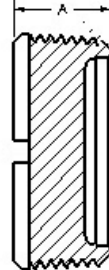
CATALOG NUMBER	HUB SIZE	THREAD SPECIFICATION	PLUG LENGTH A	RECESS DRIVE SIZE
PLUG1-EX	1/2"	1/2"- 14 NPT	19/32" (15.1)	1/4" Allen key
PLUG2-EX	3/4"	3/4"- 14 NPT	19/32" (15.1)	5/16" Allen key
PLUG3-EX	1"	1"- 11-1/2 NPT	5/8" (15.9)	3/8" Allen key
PLUG4-EX	1-1/4"	1-1/4"- 11-1/2 NPT	1" (25.4)	3/4" Square
PLUG5-EX	1-1/2"	1-1/2"- 11-1/2 NPT	1" (25.4)	3/4" Square
PLUG6-EX	2"	2"- 11-1/2 NPT	1" (25.4)	3/4" Square
PLUG7-EX	2-1/2"	2-1/2"- 8 NPT	1-5/32" (29.4)	1/4" Slot
PLUG8-EX	3"	3"- 8 NPT	1-5/32" (29.4)	1/4" Slot
PLUG9-EX	3-1/2"	3-1/2"- 8 NPT	1-5/16" (33.3)	1/4" Slot
PLUG10-EX	4"	4"- 8 NPT	1-5/16" (33.3)	1/4" Slot

Recessed Plug



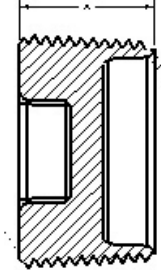
**CUP-375 to 6
 PLUG 375 to 3**

Recessed Plug



**CUP-7 to 8
 PLUG 7 to 10**

Recessed Plug



PLUG 4 to 6



FITTINGS

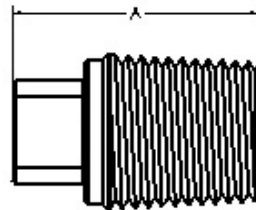
CUP/PLUG SERIES

THREADED INSERT PLUGS SQUARE HEAD STYLE



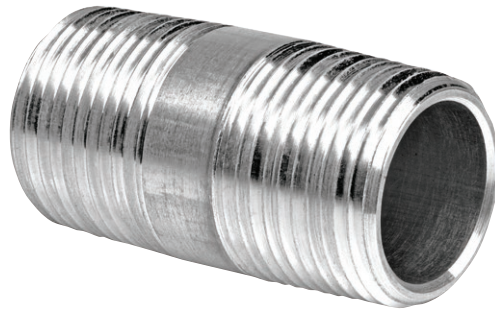
Square Head Plug
Cup-250 to 0

SQUARE HEAD PLUG (EXTERNAL HEAD) - KILLARK ALUMINUM				
CATALOG NUMBER	HUB SIZE	THREAD SPECIFICATION	PLUG LENGTH A	HEAD SIZE
CUPX-250	1/4"	1/4"- 18 NPT	51/64" (20.2)	3/8" (9.5)
CUPX-1	1/2"	1/2"- 14 NPT	1/64" (25.8)	1/2" (12.7)
CUPX-2	3/4"	3/4"- 14 NPT	1-5/32" (29.4)	5/8" (15.9)
CUPX-3	1"	1"- 11-1/2 NPT	21/64" (33.7)	13/16" (20.6)
CUPX-4	1-1/4"	1-1/4"- 11-1/2 NPT	1-3/8" (34.9)	15/16" (23.8)
CUPX-5	1-1/2"	1-1/2"- 11-1/2 NPT	1-13/16" (46.0)	1-1/8" (28.6)
CUPX-6	2"	2"- 11-1/2 NPT	1-49/64" (44.8)	1-5/16" (33.3)
CUPX-7	2-1/2"	2-1/2"- 8 NPT	1-27/32" (46.8)	1-5/8" (41.3)
CUPX-8	3"	3"- 8 NPT	1-27/32" (46.8)	2" (50.8)
CUPX-9	3-1/2"	3-1/2"- 8 NPT	2" (50.8)	2-1/2" (63.5)
CUPX-0	4"	4"- 8 NPT	2" (50.8)	2-1/2" (63.5)





RIGID CONDUIT NIPPLES



AN - 2B



AN-1 to 0

NON-ATEX and IEC Ex certified

Suitable for use in hazardous location applications when installed according to NEC Articles 501.10 (Class I, Div. I & 2 Groups A,B,C,D), NEC 502.10 (Class II, Div. I & 2, Groups EFG) and NEC 503.10 (Class III).

UL Standards 886 and 1203

File No. E 311892



ATEX / IEC Ex Certified

SIRA 13ATEX1196U

Ex II 2 G D

Ex d IIC Gb

Ex e IIC Gb

Ex tb IIIC Db

Ta = -50°C to +60°C

IECEX SIR 13.0073U

Ex d IIC Gb

EX e IIC Gb

EX tb IIIC Db

Ta = -50°C to +60°C

Suitable for use in hazardous location applications when installed according to NEC Articles 501.10 (Class I, Div. I & 2 Groups A,B,C,D), NEC 502.10 (Class II, Div. I & 2, Groups EFG) and NEC 503.10 (Class III).

UL Standard 1203

File No. E 348606 (steel)

File No. E 311892 (aluminum)

FEATURES-SPECIFICATIONS

Features

- Tapered threads (NPT) meet latest UL 1203 requirements

Materials

Copper-free Aluminum
(less than 4/10 of 1%)

Steel – ½"– 6"

- Zinc Plated



FITTINGS
AN SERIES

RIGID CONDUIT NIPPLES

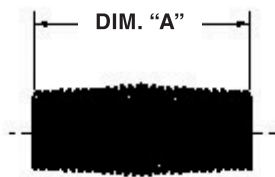
RIGID CONDUIT NIPPLES - ALUMINUM				
CATALOG NUMBER	CONDUIT SIZE	THREAD SPECIFICATION	BODY LENGTH DIMENSION A	FIG.#
AN-1	1/2"	1/2"- 14 NPT	1-9/16" (39.7)	1
AN-2	3/4"	3/4"- 14 NPT	1-37/64" (40.1)	1
AN-3	1"	1"- 11-1/2 NPT	1-31/32" (50.0)	1
AN-4	1-1/4"	1"- 11-1/2 NPT	2-1/64" (51.2)	1
AN-5	1-1/2"	1"- 11-1/2 NPT	2-1/16" (52.4)	1
AN-6	2"	1"- 11-1/2 NPT	2-1/8" (54.0)	1
AN-7	2-1/2"	2-1/2"- 8 NPT	3-9/64" (79.8)	1
AN-8	3"	3"- 8 NPT	3-1/4" (82.6)	1
AN-9	3-1/2"	3-1/2"- 8 NPT	3-23/64" (85.3)	1
AN-10	4"	4"- 8 NPT	3-15/32" (88.1)	1
AN-11	5"	5"- 8 NPT	3-1/2" (88.9)	1
AN-12	6"	6"- 8 NPT	3-1/2" (88.9)	1
AN-1B	1/2"	1/2"- 14 NPT	2" (50.8)	2
AN-2B	3/4"	3/4"- 14 NPT	2" (50.8)	2

RIGID CONDUIT NIPPLES - ALUMINUM - QUAD LISTED				
CATALOG NUMBER	CONDUIT SIZE	THREAD SPECIFICATION	BODY LENGTH DIMENSION A	FIG.#
AN-1-EX	1/2"	1/2"- 14 NPT	1-9/16" (39.7)	1
AN-2-EX	3/4"	3/4"- 14 NPT	1-37/64" (40.1)	1
AN-3-EX	1"	1"- 11-1/2 NPT	1-31/32" (50.0)	1
AN-4-EX	1-1/4"	1"- 11-1/2 NPT	2-1/64" (51.2)	1
AN-5-EX	1-1/2"	1"- 11-1/2 NPT	2-1/16" (52.4)	1
AN-6-EX	2"	1"- 11-1/2 NPT	2-1/8" (54.0)	1
AN-7-EX	2-1/2"	2-1/2"- 8 NPT	3-9/64" (79.8)	1
AN-8-EX	3"	3"- 8 NPT	3-1/4" (82.6)	1
AN-9-EX	3-1/2"	3-1/2"- 8 NPT	3-23/64" (85.3)	1
AN-10-EX	4"	4"- 8 NPT	3-15/32" (88.1)	1
AN-1B-EX	1/2"	1/2"- 14 NPT	2" (50.8)	2
AN-2B-EX	3/4"	3/4"- 14 NPT	2" (50.8)	2

RIGID CONDUIT NIPPLES - STEEL				
CATALOG NUMBER	CONDUIT SIZE	THREAD SPECIFICATION	BODY LENGTH DIMENSION A	FIG.#
AN-1S	1/2"	1/2"- 14 NPT	1-9/16" (39.7)	1
AN-2S	3/4"	3/4"- 14 NPT	1-37/64" (40.1)	1
AN-3S	1"	1"- 11-1/2 NPT	1-31/32" (50.0)	1
AN-4S	1-1/4"	1"- 11-1/2 NPT	2-1/64" (51.2)	1
AN-5S	1-1/2"	1"- 11-1/2 NPT	2-1/16" (52.4)	1
AN-6S	2"	1"- 11-1/2 NPT	2-1/8" (54.0)	1
AN-7S	2-1/2"	2-1/2"- 8 NPT	3-9/64" (79.8)	1
AN-8S	3"	3"- 8 NPT	3-1/4" (82.6)	1
AN-9S	3-1/2"	3-1/2"- 8 NPT	3-23/64" (85.3)	1
AN-10S	4"	4"- 8 NPT	3-15/32" (88.1)	1
AN-11S	5"	5"- 8 NPT	3-1/2" (88.9)	1
AN-12S	6"	6"- 8 NPT	3-1/2" (88.9)	1
AN-1BS	1/2"	1/2"- 14 NPT	2" (50.8)	2
AN-2BS	3/4"	3/4"- 14 NPT	2" (50.8)	2

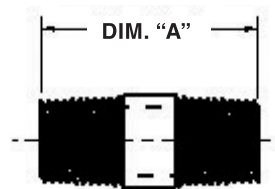
RIGID CONDUIT NIPPLES - STEEL - QUAD LISTED				
CATALOG NUMBER	CONDUIT SIZE	THREAD SPECIFICATION	BODY LENGTH DIMENSION A	FIG.#
AN-1S-EX	1/2"	1/2"- 14 NPT	1-9/16" (39.7)	1
AN-2S-EX	3/4"	3/4"- 14 NPT	1-37/64" (40.1)	1
AN-3S-EX	1"	1"- 11-1/2 NPT	1-31/32" (50.0)	1
AN-4S-EX	1-1/4"	1"- 11-1/2 NPT	2-1/64" (51.2)	1
AN-5S-EX	1-1/2"	1"- 11-1/2 NPT	2-1/16" (52.4)	1
AN-6S-EX	2"	1"- 11-1/2 NPT	2-1/8" (54.0)	1
AN-7S-EX	2-1/2"	2-1/2"- 8 NPT	3-9/64" (79.8)	1
AN-8S-EX	3"	3"- 8 NPT	3-1/4" (82.6)	1
AN-9S-EX	3-1/2"	3-1/2"- 8 NPT	3-23/64" (85.3)	1
AN-10S-EX	4"	4"- 8 NPT	3-15/32" (88.1)	1
AN-1BS-EX	1/2"	1/2"- 14 NPT	2" (50.8)	2
AN-2BS-EX	3/4"	3/4"- 14 NPT	2" (50.8)	2

FIGURE 1

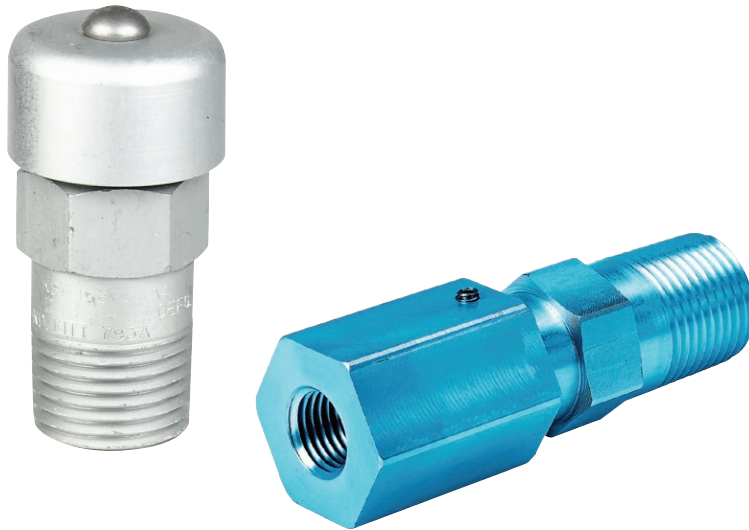


AN-1 to 0

FIGURE 2



AN-2B



KB/KD SERIES DRAIN & BREATHERS

NON-ATEX and IEC Ex certified

Class I, Div. 1 & 2, Groups B[Ⓢ], C, D

Class I, Zones 1 & 2, Groups IIB +

H2[Ⓢ]

Class II, Div. 1 & 2, Groups E, F, G

Class III, Type 3

II 2G Ex db IIB+H2[Ⓢ] T226C Gb IP44

Ta = -50°C to +60°C



LISTED - File E10514



Certified - File LR11716



Certified File 25215

IEC Ex CSA 10.0007U

SIRA 10ATEX1351U

KB SERIES FLAME ARRESTOR

ATEX/IEC Ex Certified

Class I, Div. 1 & 2, Groups B[Ⓢ], C, D

Class I, Zones 1 & 2, Groups IIB +

H2[Ⓢ]

Class II, Div. 1 & 2, Groups E, F, G

Class III, Type 3, 4[Ⓢ]

II 2G Ex db IIB+H2 T4A Gb tb IIIC Db

IP66

Ta = -50°C to +60°C



Certified - File LR11716

IEC Ex CSA 10.0007U

SIRA 10ATEX1351U

[Ⓢ] See chart on next page for suitability

FEATURES-SPECIFICATIONS

The KB flame arrester provides a means to connect gas analysis equipment and electro pneumatic devices' piping or tubing through the wall of an explosion proof or flame proof enclosure with volume up to 160 liters

KB/KD SERIES DRAIN & BREATHERS

Body Material

- Aluminum with optional stainless steel or brass available for special orders.

Volume

- For use in enclosures with a maximum internal volume to 9526 cubic inches or 160 liters.

KB SERIES FLAME ARRESTOR

BODY MATERIAL

- 6061-T6 series aluminum provided as standard. Optional stainless steel or brass for special orders.

Specifications

- Air flow = 83 + 15 / -25 SCFH at 5PSI
- Pressure drop = 1.3 PSI at 100 PSI
- Maximum flow pressure = 800 PSI
- Volume = For use in enclosures with a maximum internal volume of 9526 cubic inches or 160 liters.



FITTINGS KDB/KB SERIES

DRAINS / BREATHERS / FLAME ARRESTORS



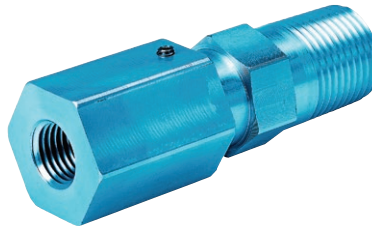
KDB-1

KB1B

KB1D

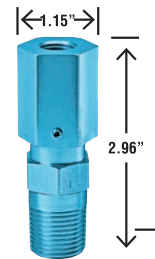
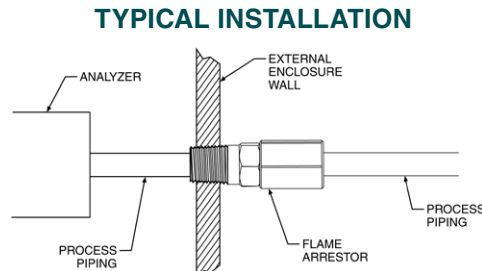
KB/KD SERIES DRAIN & BREATHERS								
CATALOG NUMBER	THREAD SIZE	BODY MATERIAL	THIRD PARTY	SUITABILITY USA	THIRD PARTY	SUITABILITY CANADA	THIRD PARTY	SUITABILITY ATEX/IEC Ex
KB1B BREATHER KB1D DRAIN KB1BCEN BREATHER KB1DCEN DRAIN KBM20BCEN BREATHER KBM20DCEN DRAIN	1/2 NPT 1/2 NPT 1/2 NPT 1/2 NPT M20 M20	ALUMINUM ALUMINUM ALUMINUM ALUMINUM ALUMINUM ALUMINUM	UL, FM & CSAus UL, FM & CSAus CSAus CSAus CSAus CSAus	CLASS I GROUPS B, C & D CLASS I, ZONES 1 & 2 GR IIB+H ₂ CLASS II GROUPS E, F, & G CLASS III ENCL TYPE 3	c CSA c CSA c CSA c CSA c CSA c CSA	CLASS I GROUPS C & D CLASS I, ZONES 1 & 2 GR IIB CLASS II GROUPS E, F & G CLASS III ENCL TYPE 3	SIRA/CSA SIRA/CSA SIRA/CSA SIRA/CSA	II 2 G Ex d IIC T226C Gb IP44
KDB-1 DRAIN / BREATHER KDB-250 DRAIN / BREATHER KDB-375 DRAIN / BREATHER KDB-250CEN DRAIN / BREATHER KDB-375CEN DRAIN / BREATHER KDB-M16CEN DRAIN / BREATHER	1/2 NPT 1/4 NPT 3/8 NPT 1/4 NPT 3/8 NPT M16	STAINLESS STEEL ALUMINUM ALUMINUM ALUMINUM ALUMINUM ALUMINUM	UL, FM & CSAus CSAus CSAus CSAus CSAus CSAus	CLASS I GROUPS C & D CLASS I, ZONES 1 & 2 GR IIB CLASS II GROUPS E, F & G CLASS III ENCL TYPE 3	c CSA c CSA c CSA c CSA c CSA c CSA	CLASS I GROUPS C & D CLASS I, ZONES 1 & 2 GR IIB CLASS II GROUPS E, F & G CLASS III ENCL TYPE 3	SIRA/CSA SIRA/CSA SIRA/CSA	II 2 G Ex d IIB T3 Gb IP44

© Warning – not for use in acetylene atmosphere



KB SERIES FLAME ARRESTOR								
CATALOG NUMBER	EXTERNAL HUB THREAD SIZE	INTERNAL & EXTERNAL PROCESS PIPING THREAD SIZE	THIRD PARTY	SUITABILITY USA	THIRD PARTY	SUITABILITY CANADA	THIRD PARTY	SUITABILITY ATEX/IEC Ex
KB1FA25 KB1FA25SS6	1/2 NPT 1/2 NPT	1/4 NPT 1/4 NPT	CSAus CSAus	CLASS I GROUPS B, C & D CLASS I, ZONES 1 & 2 GR IIB+H ₂ CLASS II GROUPS E, F, & G CLASS III TYPE 3 & 4	c CSA c CSA	CLASS I GROUPS C & D CLASS I, ZONES 1 & 2 GR IIB CLASS II GROUPS E, F & G CLASS III TYPE 3 & 4	SIRA/CSA	II 2 G Ex d IIC T3 Gb IP66
KB1FAM16 KBM20FA25 KBM20FA25SS6 KBM20FAM16 KBM20FAM16SS6	1/2 NPT M20 M20 M20 M20	M16 1/4" NPT 1/4" NPT M16 M16	CSAus CSAus CSAus	CLASS I GROUPS B, C & D CLASS I, ZONES 1 & 2 GR IIB+H ₂ CLASS II GROUPS E, F & G CLASS III TYPE 3	c CSA c CSA c CSA	CLASS I GROUPS C & D CLASS I, ZONES 1 & 2 GR IIB CLASS II GROUPS E, F & G CLASS III TYPE 3	SIRA/CSA SIRA/CSA SIRA/CSA	II 2 G Ex d IIC T3 Gb IP65

© Warning – not for use in acetylene atmosphere





KB DRAINS / BREATHERS



DRAINS / BREATHERS

When installed in the top or side wall of the enclosure it acts as a breather. When installed in the bottom of the enclosure the fitting allows moisture to drain out of the enclosure.

Features

Made of 6061 Aluminium or 316 stainless steel with internal nickel plated brass sinter flame arrestor.

Volume

For use in enclosures with a maximum internal volume to 9526 cubic inches (160 liters). See note for additional restriction.



KB1-4X



KB1B



KB1D



KBQA

CAT. NO.	TYPE	BODY MATERIAL	THREAD SIZE	USA	USA SUITABILITY	ENVIRO- MENTAL	CANADA	CANADA SUITABILITY	ENVIRO- MENTAL	IEC Ex / ATEX	IEC Ex ATEX SUITABILITY	ENVIRO- MENTAL
KB1B	Drain	Aluminum	1/2" NPT	UL, FM, CSAus	Class I Groups BCD Class I Zone 1 & 2 IIB+H2 Class II Groups EFG Class III Service Temperature -25°C to +40°C (KBQA see note for Group B Applications)	Type 3	CSA	Class I Groups CD Class I Zone 1 & 2 IIB Class II Groups EFG Class III Service Temperature -50°C to +40°C (KBQA = -50°C to +60°C. See note for Group B Applications)	Type 3	CSA / SIRA	Ex db IIB+H2 Gb Ex db IIB Gb Ex tb IIIC Db Ambient Temperature -50°C to +60°C (KBQA = -60°C to +200°C. See note for IIB+H2 limitation)	IP44
KB1D	Drain											
KB1BCEN	Breather											
KB1DCEN	Drain	316 SS	M20	CSAus								
KB1DSS6CEN	Drain											
KBM20BCEN	Breather											
KBM20DCEN	Drain	Aluminum	1/2" NPT	CSAus		Type 3, 4 & 4X			Type 3, 4 & 4X	N/A	N/A	N/A
KBM20BSS6CEN	Breather											
KBM20DSS6CEN	Drain											
KBQAAL0050*	Drain / Breather	Aluminum	1/2" NPT	CSAus								
KBQAS60050*	Drain / Breather	316 SS	1/2" NPT	CSAus								
KB1-4X	Drain / Breather	Aluminum	1/2" NPT	UL, CSAus								
KB1-4XS6	Drain / Breather	316 SS	1/2" NPT	UL, CSAus								

*The KBQA is for use in Class I Group B and Ex db IIB+H2 areas for enclosures with maximum volumes of 1709 in³ (28 liters). In larger enclosures the KBQA is suitable for Class I Group C and Ex db IIB areas.



FITTINGS
KDE SERIES

KDE SERIES DRAIN BREATHER



KDES60M20



KDEGF0M20



Class I, Div. 2, Groups A, B, C, D
Class I, Zone 1 & 2, Ex e / AEx e IIC,
A/Ex tb
Class II, Div. 1[Ⓛ] & 2, Groups E, F, G
Class III, Ambient Temperature Range
-55°C to +80°C
Enclosure Type 3, 4 & 4X IP66

UL 2714851

Ex II 2 G D CE 0518

Ex e IIC Gb

Ex tb IIIC Db IP66

Ta = -55°C to +80°C



IEEx 15.0154X

CML 15ATEX3028X

IECEX QPS 15.0002X

[Ⓛ] Class II Div. 1 Canada only, Div. 2 in the U.S.

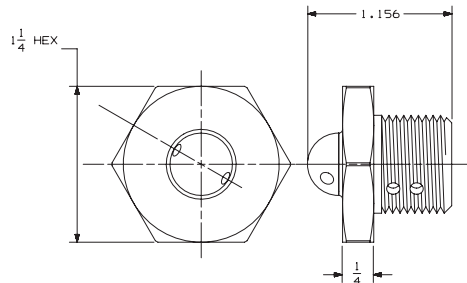
FEATURES-SPECIFICATIONS

Features

- Silicone o-ring supplied as standard and suitable for use in a -55°C to +80°C temperature range.
- Variety of thread sizes ½ & ¾ NPT, ½ & ¾ NPSM, M20 & M25.
- Available in 316 stainless steel, aluminum and 30% glass filled nylon.
- Internal 316 stainless steel locknut supplied as standard. When tightened to the proper torque the joint makes a hose down tight seal for type 4, 4X & IP66 application.

Materials

- 316 stainless steel, brass, aluminum or 30% glass filled nylon.
- Internal locknut 316 stainless steel.
- High temp silicone o-ring



KDE pairs well with
USF/SJIC Enclosures

MATERIAL / CATALOG NUMBER					
ENTRY THREAD SIZE & TYPE	GLASS FILLED PA6 NYLON	ALUMINUM	316 STAINLESS STEEL	BRASS	NICKEL PLATED BRASS
M20	KDEGF0M20	KDEAL0M20	KDES60M20	KDEBR0M20	KDEBR1M20
M25	KDEGF0M25	KDEAL0M25	KDES60M25	KDEBR0M25	KDEBR1M25
1/2" NPT	KDEGF0050	KDEAL0050	KDES60050	KDEBR0050	KDEBR1050
3/4" NPT	KDEGF0075	KDEAL0075	KDES60075	KDEBR0075	KDEBR1075

Note: Other thread forms and materials available upon request.



KBQA SERIES DRAIN BREATHER



Class I, Div. 1 and 2, Groups B, C, D
Class I, Div. 1 and 2, Groups B*, C, D
Class I, Zone 1, AEx d IIB+H2 Gb
Class II, Div. 1 and 2, Groups E, F, G
Zone 22, AEx tb IIIC Db, IP66
Class III

Ambient Temperature Range -50°C to +60°C

Enclosure Type 3,4 4X and IP66

File LR11716



II 2 G D

Ex db IIB+H2 Gb

Ex tb IIIC Db IP66

Service Temperature Range -50°C to +60°C

SIRA 10ATEX1351U

IECEX CSA 10.0007U

** Enclosures having a maximum volume of 28L*

FEATURES-SPECIFICATIONS

A drain fitting provides the valuable means to prevent the water produced from condensation from building up inside of an enclosure. When installed in the bottom of an enclosure the KBQA allows water to drain continuously out of the enclosure. The KBQA when installed in the top or sides of the enclosure acts as a breather allowing air to flow in. The air flow prevents a vacuum from forming inside the enclosure which can impede the flow of the built up water through the drain.

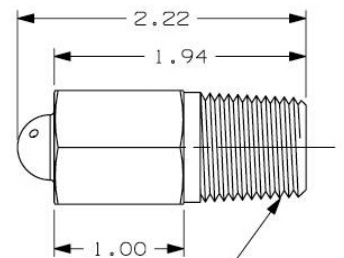
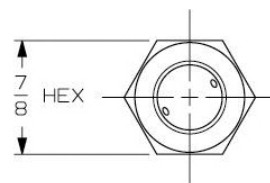
Features

- Supplied standard with a 1/2" NPT thread.

Materials

- The external body is offered in two materials, 6061-T6 aluminum and 316 stainless steel for the Type 4X rating.
- The internal sintered arrester is nickel plated brass.

CATALOG NUMBER	MATERIAL
KBQAAL0050	6061-T6 Aluminum
KBQAS60050	316 Stainless Steel



1/2-14 NPT
 THREAD SPEC.
 PER ANSI B1.20.1



FITTINGS

R/RE/ADUP SERIES

REDUCING BUSHINGS AND ADAPTERS



RE/R Series



ADUP

NON-ATEX and IEC Ex certified

**Class I, Div. 1 & 2, Groups A,B,C,D
Class I, Zone 1, Groups IIC, IIB, IIA
Class II, Div. 1 & 2, Groups E,F,G**

UL Standard: 1203

CSA Standard: C22.2 No. 30



ATEX/IEC Ex Certified

File nos. SIRA 13ATEX1196U Issue: 1

Ex II 2 G D

Ex d IIC Gb

Ex e IIC Gb

Ex tb IIIC Db

Ta = -50°C to +60°C

File nos. IECEx SIR 13.0073U Issue: 1

Ex d IIC Gb

EX e IIC Gb

EX tb IIIC Db

Ta = -50°C to +60°C



FEATURES-SPECIFICATIONS

Features

Reducer Features

- Tapered threads (NPT)
- Smooth internal bushing protects conductors
- Threaded for Rigid Conduit or IMC

ADUP Features

- Tapered threads (NPT)
- Enlarged drilled and tapped hole openings by an NPT size

Materials

Copper-free Aluminum

(less than 1/10 of 1%)
(R-10 through R-109)

- Natural Finish

Steel/Zinc Plated

(RE20S through RE109S)

ADUP

Copper-free Aluminum

(less than 1/10 of 1%)

- Natural Finish



REDUCING BUSHINGS AND ADAPTERS



R-31



R-65

REDUCING BUSHINGS

CATALOG NUMBER		HUB SIZE	DIMENSIONS	
KILLARK ALUM.	STEEL		BODY LENGTH	
R-10	—	1/2" — 3/8"	3/4"(19)	
R-20	RE20S	3/4" — 3/8"	11/16"(18)	
R-21	RE21S	3/4" — 1/2"	13/16"(21)	
R-30	RE30S	1" — 3/8"	11/16"(18)	
R-31	RE31S	1" — 1/2"	13/16"(21)	
R-32	RE32S	1" — 3/4"	13/16"(21)	
R-41	RE41S	1-1/4" — 1/2"	13/16"(21)	
R-42	RE42S	1-1/4" — 3/4"	13/16"(21)	
R-43	RE43S	1-1/4" — 1"	1"(25)	
R-51	RE51S	1-1/2" — 1/2"	13/16"(21)	
R-52	RE52S	1-1/2" — 3/4"	13/16"(21)	
R-53	RE53S	1-1/2" — 1"	1"(25)	
R-54	RE54S	1-1/2" — 1-1/4"	1-1/64"(28)	
R-61	RE61S	2" — 1/2"	13/16"(21)	
R-62	RE62S	2" — 3/4"	13/16"(21)	
R-63	RE63S	2" — 1"	1"(25)	
R-64	RE64S	2" — 1-1/4"	1/64"(28)	
R-65	RE65S	2" — 1-1/2"	1/32"(31)	
R-73	RE73S	2-1/2" — 1"	1"(25)	
R-74	RE74S	2-1/2" — 1-1/4"	1" (25)	
R-75	RE75S	2-1/2" — 1-1/2"	1"(25)	
R-76	RE76S	2-1/2" — 2"	1"(25)	
R-84	RE84S	3" — 1-1/4"	1" (25)	
R-85	RE85S	3" — 1-1/2"	1-1/4"(32)	
R-86	RE86S	3" — 2"	1-1/4"(32)	
R-87	RE87S	3" — 2-1/2"	1-1/4"(32)	
R-96	RE96S	3-1/2" — 2"	1-3/8"(35)	
R-97	RE97S	3-1/2" — 2-1/2"	1-3/8"(35)	
R-98	RE98S	3-1/2" — 3"	1-3/8"(35)	
R-106	RE106S	4" — 2"	1-1/2"(38)	
R-107	RE107S	4" — 2-1/2"	1-1/2"(38)	
R-108	RE108S	4" — 3"	1-1/2"(38)	
R-109	RE109S	4" — 3-1/2"	1-1/2"(38)	

REDUCING BUSHINGS - QUAD LISTED

CATALOG NUMBER		HUB SIZE	DIMENSIONS	
KILLARK ALUM.	STEEL		BODY LENGTH	
R-10-EX	—	1/2" — 3/8"	3/4"(19)	
R-20-EX	—	3/4" — 3/8"	11/16"(18)	
R-21-EX	RE21S-EX	3/4" — 1/2"	13/16"(21)	
R-30-EX	—	1" — 3/8"	11/16"(18)	
R-31-EX	RE31S-EX	1" — 1/2"	13/16"(21)	
R-32-EX	RE32S-EX	1" — 3/4"	13/16"(21)	
R-41-EX	RE41S-EX	1-1/4" — 1/2"	13/16"(21)	
R-42-EX	RE42S-EX	1-1/4" — 3/4"	13/16"(21)	
R-43-EX	RE43S-EX	1-1/4" — 1"	1"(25)	
R-51-EX	RE51S-EX	1-1/2" — 1/2"	13/16"(21)	
R-52-EX	RE52S-EX	1-1/2" — 3/4"	13/16"(21)	
R-53-EX	RE53S-EX	1-1/2" — 1"	1"(25)	
R-54-EX	RE54S-EX	1-1/2" — 1-1/4"	1-1/64"(28)	
R-61-EX	RE61S-EX	2" — 1/2"	13/16"(21)	
R-62-EX	RE62S-EX	2" — 3/4"	13/16"(21)	
R-63-EX	RE63S-EX	2" — 1"	1"(25)	
R-64-EX	RE64S-EX	2" — 1-1/4"	1/64"(28)	
R-65-EX	RE65S-EX	2" — 1-1/2"	1/32"(31)	
R-73-EX	—	2-1/2" — 1"	1"(25)	
R-74-EX	—	—	—	
R-75-EX	—	2-1/2" — 1-1/2"	1"(25)	
R-76-EX	—	2-1/2" — 2"	1"(25)	
R-84-EX	—	—	—	
R-85-EX	—	3" — 1-1/2"	1-1/4"(32)	
R-86-EX	—	3" — 2"	1-1/4"(32)	
R-87-EX	—	3" — 2-1/2"	1-1/4"(32)	
R-96-EX	—	3-1/2" — 2-1/2"	1-3/8"(35)	
R-97-EX	—	3-1/2" — 2-1/2"	1-3/8"(35)	
R-98-EX	—	3-1/2" — 3"	1-3/8"(35)	
R-106-EX	—	4" — 2"	1-1/2"(38)	
R-107-EX	—	4" — 2-1/2"	1-1/2"(38)	
R-108-EX	—	4" — 3"	1-1/2"(38)	
R-109-EX	—	4" — 3-1/2"	1-1/2"(38)	

ADUP ADAPTERS

CATALOG NUMBER	DESCRIPTION	
ADUP-01	Male 3/8"	Female 1/2"
ADUP-12	Male 1/2"	Female 3/4"
ADUP-23	Male 3/4"	Female 1"



ADUP-12



FITTINGS

FF/MF/MM/BL/GUFS/Y/EYMF SERIES

ELBOWS



90°

FF
Female/Female



45°



90°

MF
Male/Female



45°



90°

MM
Male/Male



Y



90°

BL
Male/Female



GUFS



EYMF

Class I, Div. 1 & 2, Groups C, D
Class II, Div. 1 & 2, Groups E, F, G
Class III



ATEX / IEC Ex Certified

File nos. CML 16ATEX 1325X

IECEX QPS16.0012X

Ex db IIC Gb

or Ex db IIB Gb

Ex tb IIIC Db IP65/IP66



UL LISTED - File E10514



SP Certified - File LR11716

FEATURES-SPECIFICATIONS

Features

- Threaded for rigid conduit or IMC
- Smooth integral bushings to prevent damage to wires

Materials

Copper-free Aluminum

(less than 1/10 of 1%)

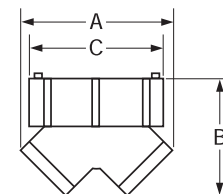
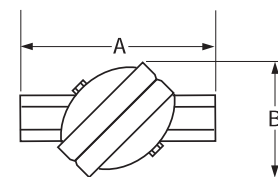
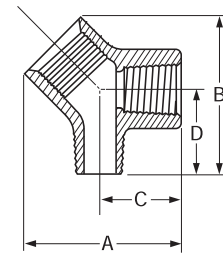
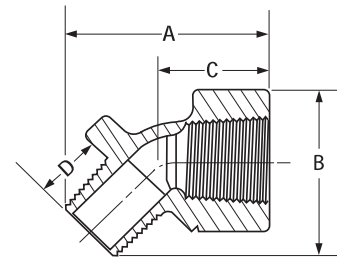
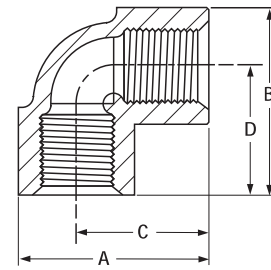
- Electrostatically applied powder coating

Iron Zinc electro-plate



ELBOWS

ELBOWS							
CATALOG NUMBER		HUB SIZE	TYPE	A	B	C	D
ALUMINUM	IRON						
FF-90-1 ^①	FF-90-1M ^③	1/2"	FF 90°	2"	2"	1-3/8"	1-3/8"
FF-90-2 ^①	FF-90-2M ^③	3/4"	FF 90°	2-1/4"	2-1/4"	1-1/2"	1-1/2"
FF-90-3 ^①	FF-90-3M ^③	1"	FF 90°	2-15/16"	2-15/16"	2"	2"
FF-45-1 ^①	FF-45-1M ^③	1/2"	FF 45°	2-3/8"	2"	1-1/8"	—
FF-45-2 ^①	FF-45-2M ^③	3/4"	FF 45°	2-11/16"	2-3/16"	1-1/4"	—
FF-45-3 ^①	FF-45-3M ^③	1"	FF 45°	3-3/8"	2-11/16"	1-5/8"	—
FF-45-6 ^①	FF-45-6M ^③	2"	FF 45°	4-3/4"	3-7/8"	2-1/4"	—
FF-45-8 ^①	FF-45-8M ^③	3"	FF 45°	5-1/4"	5-17/64"	2-17/64"	—
MF-90-1 ^①	MF-90-1M ^③	1/2"	MF 90°	2-7/32"	2"	1-3/8"	1-1/16"
MF-90-2 ^①	MF-90-2M ^③	3/4"	MF 90°	2-1/2"	2-1/4"	1-1/2"	1-1/16"
MF-45-1 ^①	MF-45-1M ^③	1/2"	MF 45°	2-35/64"	1-55/64"	1-1/8"	1-1/16"
MF-45-2 ^①	MF-45-2M ^③	3/4"	MF 45°	2-3/4"	2"	1-9/32"	1-1/16"
MM-90-1 ^①	MM-90-1M ^③	1/2"	MM 90°	2-15/32"	2-15/32"	1-49/64"	1-1/16"
MM-90-2 ^①	MM-90-2M ^③	3/4"	MM 90°	2-5/8"	2-5/8"	1-57/64"	1-1/16"
BL-90-1 ^①	BL-90-1M ^③	1/2"	BL 90°	2-1/4"	2-3/8"	1-7/8"	1-3/4"
BL-90-2 ^①	BL-90-2M ^③	3/4"	BL 90°	2-5/8"	3"	2-1/8"	2-1/4"
BL-90-3 ^①	BL-90-3M ^③	1"	BL 90°	2-1/4"	3-7/16"	2-5/8"	2-1/2"



CAPPED ELBOWS							
CATALOG NUMBER		HUB SIZE	TYPE	A	B	C	D
ALUMINUM	IRON						
Y-1 ^①	Y-1M ^③	1/2"	90°	2-7/8"	2-3/4"	1-7/8"	—
Y-2 ^①	Y-2M ^③	3/4"	90°	3-1/16"	3-3/4"	2-1/8"	—
Y-3 ^①	Y-3M ^③	1"	90°	4"	3-1/4"	2-5/8"	—
Y-4 ^①	Y-4M ^③	1-1/4"	90°	5-1/16"	4-1/8"	3-7/8"	—
Y-5 ^①	Y-5M ^③	1-1/2"	90°	5-1/16"	4-1/4"	3-7/8"	—

SWIVEL ELBOWS							
CATALOG NUMBER		HUB SIZE	TYPE	A	B	C	D
ALUMINUM	IRON						
GUFS-1 ^②	GUFS-1M ^③	1/2"	180°	4-1/2"	2-1/4"	—	—
GUFS-2 ^②	GUFS-2M ^③	3/4"	180°	4-1/2"	2-1/4"	—	—
GUMFS-1 ^②	GUMFS-1M ^③	1/2"	180°	5-1/8"	2-1/4"	—	—
GUMFS-2 ^②	GUMFS-2M ^③	3/4"	180°	5-1/4"	2-1/4"	—	—

90° PLUGGED ELBOWS							
CATALOG NUMBER		HUB SIZE	TYPE	A	B	C	D
ALUMINUM	IRON						
EYMF-1 ^④	—	1/2"	90°	2-5/8"	2-5/8"	1-3/8"	1-3/8"
EYMF-2 ^④	—	3/4"	90°	2-3/4"	2-3/4"	1-1/2"	1-1/2"

- ① Copper-free aluminum - Electrostatically applied powder coating
- ② Aluminum - Natural finish
- ③ Iron - Zinc electroplate
- ④ Iron - Duraloy finish
- ⑤ Furnished with 1" close-up plug in top.

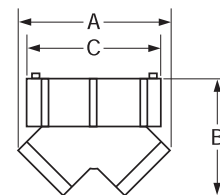
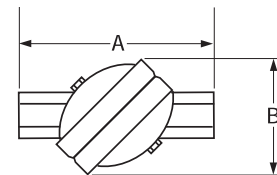
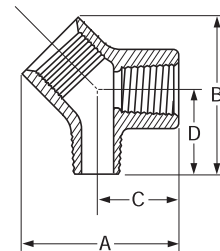
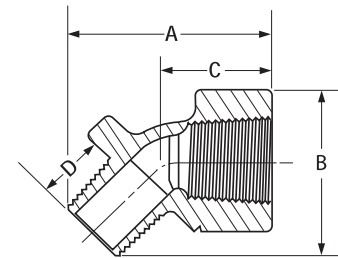
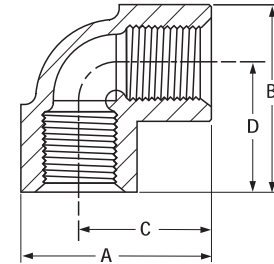
For ATEX and IEC Ex certified Elbows, see following page.



FITTINGS

FF/MF/MM/BL/GUFS/Y/EYMF SERIES

ELBOWS – ATEX/IEC Ex CERTIFIED



ELBOWS - QUAD LISTED							
CATALOG NUMBER		HUB SIZE	TYPE	A	B	C	D
ALUMINUM	IRON						
FF-90-1-EX①	FF-90-1M-EX③	1/2"	FF 90°	2"	2"	1-3/8"	1-3/8"
FF-90-2-EX①	FF-90-2M-EX③	3/4"	FF 90°	2-1/4"	2-1/4"	1-1/2"	1-1/2"
FF-90-3-EX①	FF-90-3M-EX③	1"	FF 90°	2-15/16"	2-15/16"	2"	2"
FF-45-1-EX①	FF-45-1M-EX③	1/2"	FF 45°	2-3/8"	2"	1-1/8"	—
FF-45-2-EX①	FF-45-2M-EX③	3/4"	FF 45°	2-11/16"	2-3/16"	1-1/4"	—
FF-45-3-EX①	FF-45-3M-EX③	1"	FF 45°	3-3/8"	2-11/16"	1-5/8"	—
FF-45-6-EX①	FF-45-6M-EX③	2"	FF 45°	4-3/4"	3-7/8"	2-1/4"	—
FF-45-8-EX①	FF-45-8M-EX③	3"	FF 45°	5-1/4"	5-17/64"	2-17/64"	—
MF-90-1-EX①	MF-90-1M-EX③	1/2"	MF 90°	2-7/32"	2"	1-3/8"	1-1/16"
MF-90-2-EX①	MF-90-2M-EX③	3/4"	MF 90°	2-1/2"	2-1/4"	1-1/2"	1-1/16"
MF-45-1-EX①	MF-45-1M-EX③	1/2"	MF 45°	2-35/64"	1-55/64"	1-1/8"	1-1/16"
MF-45-2-EX①	MF-45-2M-EX③	3/4"	MF 45°	2-3/4"	2"	1-9/32"	1-1/16"
MM-90-1-EX①	MM-90-1M-EX③	1/2"	MM 90°	2-15/32"	2-15/32"	1-49/64"	1-1/16"
MM-90-2-EX①	MM-90-2M-EX③	3/4"	MM 90°	2-5/8"	2-5/8"	1-57/64"	1-1/16"
BL-90-1-EX①	BL-90-1M-EX③	1/2"	BL 90°	2-1/4"	2-3/8"	1-7/8"	1-3/4"
BL-90-2-EX①	BL-90-2M-EX③	3/4"	BL 90°	2-5/8"	3"	2-1/8"	2-1/4"
BL-90-3-EX①	BL-90-3M-EX③	1"	BL 90°	2-1/4"	3-7/16"	2-5/8"	2-1/2"

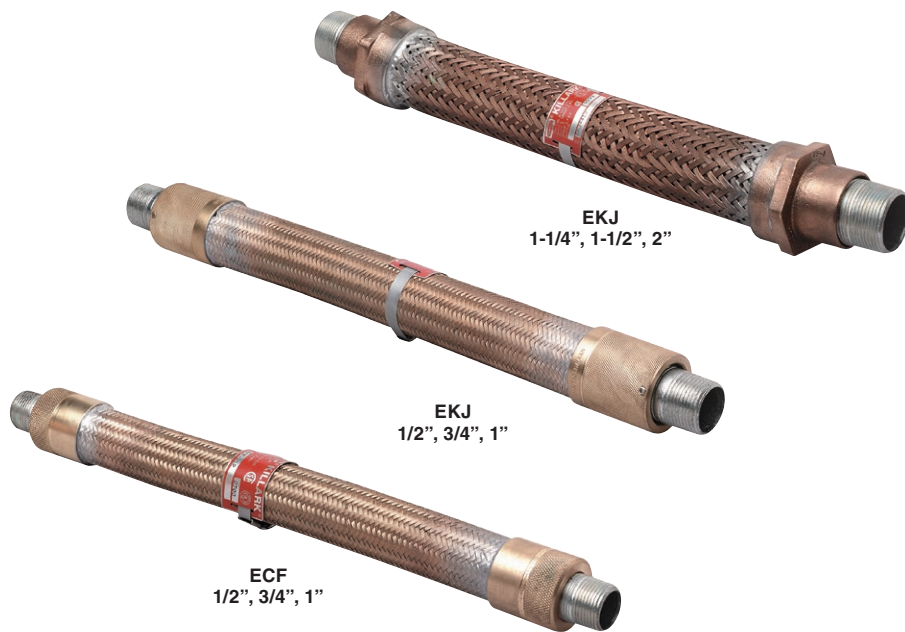
CAPPED ELBOWS							
CATALOG NUMBER		HUB SIZE	TYPE	A	B	C	D
ALUMINUM	IRON						
Y-1-EX①	Y-1M-EX④	1/2"	90°	2-7/8"	2-3/4"	1-7/8"	—
Y-2-EX①	Y-2M-EX④	3/4"	90°	3-1/16"	3-3/4"	2-1/8"	—
Y-3-EX①	Y-3M-EX④	1"	90°	4"	3-1/4"	2-5/8"	—
Y-4-EX①	Y-4M-EX④	1-1/4"	90°	5-1/16"	4-1/8"	3-7/8"	—
Y-5-EX①	Y-5M-EX④	1-1/2"	90°	5-1/16"	4-1/4"	3-7/8"	—

SWIVEL ELBOWS							
CATALOG NUMBER		HUB SIZE	TYPE	A	B	C	D
ALUMINUM	IRON						
GUFS-1-EX①	GUFS-1M-EX④	1/2"	180°	4-1/2"	2-1/4"	—	—
GUFS-2-EX①	GUFS-2M-EX④	3/4"	180°	4-1/2"	2-1/4"	—	—
GUMFS-1-EX①	GUMFS-1M-EX④	1/2"	180°	5-1/8"	2-1/4"	—	—
GUMFS-2-EX①	GUMFS-2M-EX④	3/4"	180°	5-1/4"	2-1/4"	—	—

90° PLUGGED ELBOWS							
CATALOG NUMBER		HUB SIZE	TYPE	A	B	C	D
ALUMINUM	IRON						
EYMF-1-EX②	—	1/2"	90°	2-5/8"	2-5/8"	1-3/8"	1-3/8"
EYMF-2-EX②	—	3/4"	90°	2-3/4"	2-3/4"	1-1/2"	1-1/2"



BRONZE FLEXIBLE COUPLINGS



Class I, Div. 1 & 2, Groups A,B,C,D^①
Class I, Zone 1, Groups IIC, IIB, IIA
Class II, Div. 1 & 2, Groups E,F,G
Class III
Raintight

 Certified - File LR11716

^① ECF & EKF 1/2" and 3/4" couplings suitable for Class I, Groups A, B, C, D Class I, Zone 1, Groups IIC, IIB, IIA EKF 1" thru 2" and ECF 1" couplings suitable for Class I, Groups C, D. Class I, Zone 1, Groups IIB, IIA All ECF and EKF are suitable for Class II and III.

FEATURES-SPECIFICATIONS

Features

- Bronze flexible metal construction
- An inner insulating silicone tubing to protect conductors
- Female ends with removable zinc plated steel nipples standard on all couplings
- Union type couplings may be assembled by adding a GUF and UNF Series union to the nipple
- Special lengths available-consult factory
- All 1/2", 3/4" & 1" EKF couplings are furnished with a setscrew (for use as a fixture hanging coupling)



FITTINGS

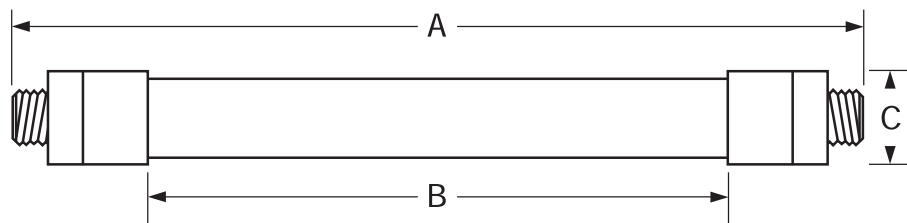
ECF/EKJ SERIES

BRONZE FLEXIBLE COUPLINGS

ECF/EKJ FLEXIBLE COUPLINGS					
CATALOG NUMBER		DESCRIPTION			
ECF SERIES	EKJ SERIES	CONDUIT SIZE	A OVERALL LENGTH	B FLEX. LENGTH	C DIA.
ECF-14	EKJ-14	1/2"	8-13/16"	4"	1-5/16"
ECF-16	EKJ-16	1/2"	10-13/16"	6"	1-5/16"
ECF-18	EKJ-18	1/2"	12-13/16"	8"	1-5/16"
ECF-110	EKJ-110	1/2"	14-13/16"	10"	1-5/16"
ECF-112	EKJ-112	1/2"	16-13/16"	12"	1-5/16"
ECF-115	EKJ-115	1/2"	19-13/16"	15"	1-5/16"
ECF-118	EKJ-118	1/2"	22-13/16"	18"	1-5/16"
ECF-121	—	1/2"	25-13/16"	21"	1-5/16"
ECF-124	—	1/2"	28-13/16"	24"	1-5/16"
ECF-130	—	1/2"	34-13/16"	30"	1-5/16"
ECF-136	—	1/2"	40-13/16"	36"	1-5/16"
ECF-24	EKJ-24	3/4"	8-3/4"	4"	1-5/8"
ECF-26	EKJ-26	3/4"	10-3/4"	6"	1-5/8"
ECF-28	EKJ-28	3/4"	12-3/4"	8"	1-5/8"
ECF-210	EKJ-210	3/4"	14-3/4"	10"	1-5/8"
ECF-212	EKJ-212	3/4"	16-3/4"	12"	1-5/8"
ECF-215	EKJ-215	3/4"	19-3/4"	15"	1-5/8"
ECF-218	EKJ-218	3/4"	22-3/4"	18"	1-5/8"
ECF-221	—	3/4"	25-3/4"	21"	1-5/8"
ECF-224	—	3/4"	28-3/4"	24"	1-5/8"
ECF-230	—	3/4"	34-3/4"	30"	1-5/8"
ECF-236	—	3/4"	40-3/4"	36"	1-5/8"
ECF-36	EKJ-36	1"	11-3/4"	6"	1-15/16"
ECF-38	EKJ-38	1"	13-3/4"	8"	1-15/16"
ECF-310	EKJ-310	1"	15-3/4"	10"	1-15/16"
ECF-312	EKJ-312	1"	17-3/4"	12"	1-15/16"
ECF-315	EKJ-315	1"	20-3/4"	15"	1-15/16"
ECF-318	EKJ-318	1"	23-3/4"	18"	1-15/16"
ECF-321	EKJ-321	1"	26-3/4"	21"	1-15/16"
ECF-324	EKJ-324	1"	29-3/4"	24"	1-15/16"
ECF-330	EKJ-330	1"	35-3/4"	30"	1-15/16"
ECF-336	EKJ-336	1"	41-3/4"	36"	1-15/16"

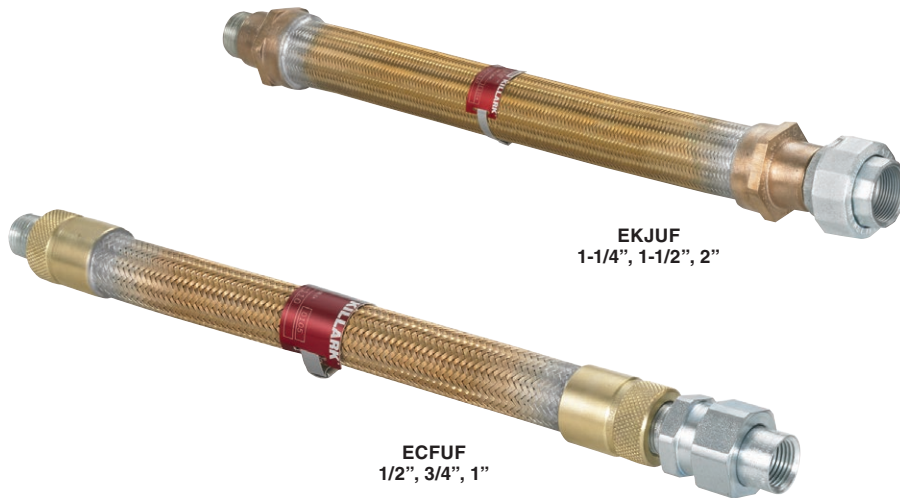
ECF/EKJ FLEXIBLE COUPLINGS				
CAT. NO.	DESCRIPTION			
EKJ SERIES	CONDUIT SIZE	A OVERALL LENGTH	B FLEX. LENGTH	C DIA.
EKJ-412	1-1/4"	18-5/8"	12"	2-15/16"
EKJ-415	1-1/4"	21-5/8"	15"	2-15/16"
EKJ-418	1-1/4"	24-5/8"	18"	2-15/16"
EKJ-421	1-1/4"	27-5/8"	21"	2-15/16"
EKJ-424	1-1/4"	30-5/8"	24"	2-15/16"
EKJ-430	1-1/4"	36-5/8"	30"	2-15/16"
EKJ-436	1-1/4"	42-5/8"	36"	2-15/16"
EKJ-512	1-1/2"	18-15/16"	12"	3-21/32"
EKJ-515	1-1/2"	21-15/16"	15"	3-21/32"
EKJ-518	1-1/2"	24-15/16"	18"	3-21/32"
EKJ-521	1-1/2"	27-15/16"	21"	3-21/32"
EKJ-524	1-1/2"	30-15/16"	24"	3-21/32"
EKJ-530	1-1/2"	36-15/16"	30"	3-21/32"
EKJ-536	1-1/2"	42-15/16"	36"	3-21/32"
EKJ-612	2"	19-5/16"	12"	4-9/64"
EKJ-615	2"	22-5/16"	15"	4-9/64"
EKJ-618	2"	25-5/16"	18"	4-9/64"
EKJ-624	2"	31-5/16"	24"	4-9/64"
EKJ-630	2"	37-5/16"	30"	4-9/64"
EKJ-636	2"	43-5/16"	36"	4-9/64"

MINIMUM BEND RADIUS						
SERIES	1/2"	3/4"	1"	1-1/4"	1-1/2"	2"
ECF	10"	12"	14"	—	—	—
EKJ	10"	12"	14"	14"	16"	18"





BRONZE FLEXIBLE COUPLINGS WITH FEMALE STEEL UNION



EKJUF
 1-1/4", 1-1/2", 2"

ECFUF
 1/2", 3/4", 1"

Class I, Div. 1 & 2, Groups A,B,C,D
 Class I, Zone 1, Groups IIC, IIB, IIA
 Class II, Div. 1 & 2, Groups E,F,G
 Class III
Raintight

 Certified - File LR11716

1/2" and 3/4" couplings suitable for:
Class I, Groups A,B,C,D Class I, Zone 1, Groups IIC, IIB, IIA.
 1" couplings suitable for:
Class I, Groups C,D. Class I, Zone 1, Groups IIB, IIA

FEATURES-SPECIFICATIONS

Features

- Bronze flexible metal construction
- An inner insulating silicone tubing to protect conductors
- Provided with one zinc plated steel nipple and one zinc plated steel female union
- Special lengths available – consult factory



FITTINGS

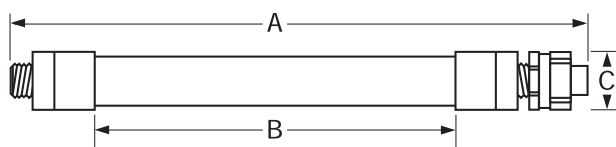
ECF/EKJ SERIES

BRONZE FLEXIBLE COUPLINGS WITH FEMALE STEEL UNION

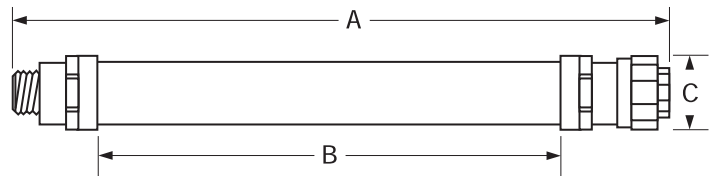
ECF/EKJ FLEXIBLE COUPLINGS				
CAT. NO.	DESCRIPTION			
	CONDUIT SIZE	A OVERALL LENGTH	B FLEX. LENGTH	C DIA.
ECFUF-14	1/2"	10-1/8" (257)	4" (102)	1-1/2" (38)
ECFUF-16	1/2"	12-1/8" (310)	6" (152)	1-1/2" (38)
ECFUF-18	1/2"	14-1/8" (359)	8" (203)	1-1/2" (38)
ECFUF-110	1/2"	16-1/8" (410)	10" (254)	1-1/2" (38)
ECFUF-112	1/2"	18-1/8" (460)	12" (305)	1-1/2" (38)
ECFUF-115	1/2"	21-1/8" (537)	15" (381)	1-1/2" (38)
ECFUF-118	1/2"	24-1/8" (613)	18" (457)	1-1/2" (38)
ECFUF-121	1/2"	27-1/8" (689)	21" (533)	1-1/2" (38)
ECFUF-124	1/2"	30-1/8" (765)	24" (610)	1-1/2" (38)
ECFUF-130	1/2"	36-1/8" (918)	30" (762)	1-1/2" (38)
ECFUF-136	1/2"	42-1/8" (1070)	36" (914)	1-1/2" (38)
ECFUF-24	3/4"	10-1/4" (260)	4" (102)	1-3/4" (44)
ECFUF-26	3/4"	12-1/4" (311)	6" (152)	1-3/4" (44)
ECFUF-28	3/4"	14-1/4" (362)	8" (203)	1-3/4" (44)
ECFUF-210	3/4"	16-1/4" (413)	10" (254)	1-3/4" (44)
ECFUF-212	3/4"	18-1/4" (464)	12" (305)	1-3/4" (44)
ECFUF-215	3/4"	21-1/4" (540)	15" (381)	1-3/4" (44)
ECFUF-218	3/4"	24-1/4" (616)	18" (457)	1-3/4" (44)
ECFUF-221	3/4"	27-1/4" (692)	21" (533)	1-3/4" (44)
ECFUF-224	3/4"	30-1/4" (768)	24" (610)	1-3/4" (44)
ECFUF-230	3/4"	36-1/4" (921)	30" (762)	1-3/4" (44)
ECFUF-236	3/4"	42-1/4" (1073)	36" (914)	1-3/4" (44)
ECFUF-36	1"	13-3/16" (335)	6" (102)	2" (51)
ECFUF-38	1"	15-3/16" (386)	8" (152)	2" (51)
ECFUF-310	1"	17-3/16" (437)	10" (254)	2" (51)
ECFUF-312	1"	19-3/16" (487)	12" (305)	2" (51)
ECFUF-315	1"	22-3/16" (564)	15" (381)	2" (51)
ECFUF-318	1"	25-3/16" (640)	18" (457)	2" (51)
ECFUF-321	1"	28-3/16" (716)	21" (533)	2" (51)
ECFUF-324	1"	31-3/16" (792)	24" (610)	2" (51)
ECFUF-330	1"	37-3/16" (945)	30" (762)	2" (51)
ECFUF-336	1"	43-3/16" (1097)	36" (914)	2" (51)

ECF/EKJ FLEXIBLE COUPLINGS				
CAT. NO.	DESCRIPTION			
	CONDUIT SIZE	A OVERALL LENGTH	B FLEX. LENGTH	C DIA.
EKJUF-412	1-1/4"	20-1/4" (514)	12" (305)	2-7/8" (73)
EKJUF-415	1-1/4"	21-1/4" (591)	15" (381)	2-7/8" (73)
EKJUF-418	1-1/4"	24-1/4" (667)	18" (457)	2-7/8" (73)
EKJUF-421	1-1/4"	27-1/4" (743)	21" (533)	2-7/8" (73)
EKJUF-424	1-1/4"	30-1/4" (819)	24" (610)	2-7/8" (73)
EKJUF-430	1-1/4"	36-1/4" (972)	30" (762)	2-7/8" (73)
EKJUF-436	1-1/4"	42-1/4" (1124)	36" (914)	2-7/8" (73)
EKJUF-512	1-1/2"	21-15/16" (557)	12" (305)	3-21/32" (93)
EKJUF-515	1-1/2"	24-15/16" (633)	15" (381)	3-21/32" (93)
EKJUF-518	1-1/2"	27-15/16" (710)	18" (457)	3-21/32" (93)
EKJUF-521	1-1/2"	30-15/16" (786)	21" (533)	3-21/32" (93)
EKJUF-524	1-1/2"	33-15/16" (862)	24" (610)	3-21/32" (93)
EKJUF-530	1-1/2"	39-15/16" (1014)	30" (762)	3-21/32" (93)
EKJUF-536	1-1/2"	45-15/16" (1167)	36" (914)	3-21/32" (93)
EKJUF-612	2"	21-9/16" (548)	12" (305)	4-9/64" (105)
EKJUF-615	2"	24-9/16" (624)	15" (381)	4-9/64" (105)
EKJUF-618	2"	27-9/16" (700)	18" (457)	4-9/64" (105)
EKJUF-624	2"	33-9/16" (852)	24" (610)	4-9/64" (105)
EKJUF-630	2"	39-9/16" (1005)	30" (762)	4-9/64" (105)
EKJUF-636	2"	45-9/16" (1157)	36" (914)	4-9/64" (105)

MINIMUM BEND RADIUS						
SERIES	1/2"	3/4"	1"	1-1/4"	1-1/2"	2"
ECF	10"	12"	14"	-	-	-
EKJ	10"	12"	14"	14"	16"	18"



ECFUF 1/2", 3/4", 1"



EKJUF 1-1/4", 1-1/2", 2"



STAINLESS STEEL FLEXIBLE COUPLINGS



EKK
 2-1/2"-4"

Class I, Div. 1 & 2, Groups D
 Class I, Zone 1, Group IIA
 Class II, Div. 1 & 2, Groups E, F, G
 Class III



size 7 Groups A, B, C, D
 sizes 8 & 10 Groups C, D



sizes 7, 8 & 10 Group D

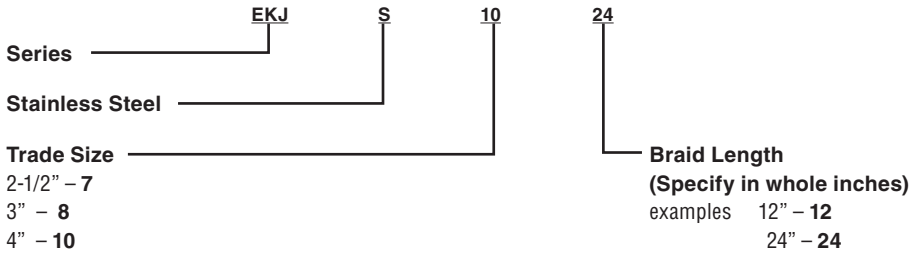
FEATURES-SPECIFICATIONS

Features

- Available in custom lengths. See catalog logic to order
- Stainless steel wirebraid construction
- Annular corrugated seamless hose
- Cast in ribs for easy installation
- 2-1/2" – 4" sizes furnished with two aluminum nipples

CATALOG NUMBER LOGIC

Sizes 2-1/2" Thru 4"



ORDERING EXAMPLE - EKJS-1024
 (4" trade size, 24" length)



FITTINGS
EKJ SERIES

STAINLESS STEEL FLEXIBLE COUPLINGS – ATEX/IEC Ex CERTIFIED



EKJ-211SS-EX



ATEX / IEC Ex Certified

IECEX SIR 10.0057U

SIRA 10ATEX11068U 0539

Ex II 2GD

Ex db IIC Gb, Ex tb IIIC Db IP66

Class I, Div. 1 & 2, Groups A,B,C, D

Class I, Zone 1, Groups IIB, IIA

Class II, Div. 1 & 2, Groups E, F, G

Class III



FEATURES-SPECIFICATIONS

Features

- Stainless Steel flexible metal construction
- NPT male fitting (316SS) welded to each end
- Outer Braid (304SS) with inner flex hose of 321SS
- Inner liner of silicone coated fabric

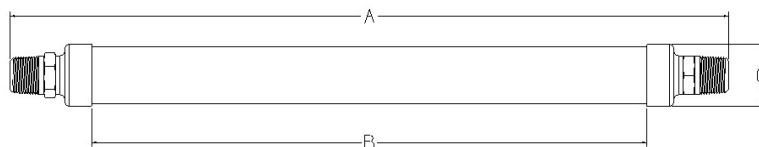
No Max Length Restrictions, Contact Factory for Custom Lengths

SERIES	MINIMUM BEND RADIUS					
	1/2"	3/4"	1"	1-1/4"	1-1/2"	2"
EKJ	10"	12"	14"	14"	16"	18"



STAINLESS STEEL FLEXIBLE COUPLINGS – ATEX/IEC Ex CERTIFIED

EKJ FLEXIBLE COUPLINGS - QUAD LISTED				
CATALOG NUMBER	CONDUIT SIZE	A OVERALL LENGTH	B FLEXIBLE LENGTH	C DIAMETER
EKJ-14SS-EX	1/2"	8-9/64" (207)	4" (102)	1-1/8" (34)
EKJ-18SS-EX	1/2"	12-9/64" (308)	8" (203)	1-1/8" (34)
EKJ-112SS-EX	1/2"	16-9/64" (410)	12" (305)	1-1/8" (34)
EKJ-116SS-EX	1/2"	20-9/64" (512)	16" (406)	1-1/8" (34)
EKJ-120SS-EX	1/2"	24-9/64" (613)	20" (508)	1-1/8" (34)
EKJ-124SS-EX	1/2"	28-9/64" (715)	24" (610)	1-1/8" (34)
EKJ-128SS-EX	1/2"	32-9/64" (816)	28" (711)	1-1/8" (34)
EKJ-132SS-EX	1/2"	36-9/64" (918)	32" (813)	1-1/8" (34)
EKJ-136SS-EX	1/2"	40-9/64" (1020)	36" (914)	1-1/8" (34)
EKJ-27SS-EX	3/4"	11-1/2" (292)	7" (178)	1-11/16" (43)
EKJ-211SS-EX	3/4"	15-1/2" (394)	11" (279)	1-11/16" (43)
EKJ-215SS-EX	3/4"	19-1/2" (495)	15" (381)	1-11/16" (43)
EKJ-219SS-EX	3/4"	23-1/2" (597)	19" (483)	1-11/16" (43)
EKJ-223SS-EX	3/4"	27-1/2" (699)	23" (584)	1-11/16" (43)
EKJ-227SS-EX	3/4"	31-1/2" (800)	27" (686)	1-11/16" (43)
EKJ-231SS-EX	3/4"	35-1/2" (902)	31" (788)	1-11/16" (43)
EKJ-235SS-EX	3/4"	39-1/2" (1003)	35" (889)	1-11/16" (43)
EKJ-37SS-EX	1"	12" (305)	7" (178)	2" (50)
EKJ-311SS-EX	1"	16" (406)	11" (279)	2" (50)
EKJ-315SS-EX	1"	20" (508)	15" (381)	2" (50)
EKJ-319SS-EX	1"	24" (610)	19" (483)	2" (50)
EKJ-323SS-EX	1"	28" (711)	23" (584)	2" (50)
EKJ-327SS-EX	1"	32" (813)	27" (686)	2" (50)
EKJ-331SS-EX	1"	36" (914)	31" (788)	2" (50)
EKJ-335SS-EX	1"	40" (1016)	35" (889)	2" (50)
EKJ-513SS-EX	1-1/2"	18-1/8" (460)	13" (330)	2-25/32" (71)
EKJ-517SS-EX	1-1/2"	23-1/8" (587)	17" (432)	2-25/32" (71)
EKJ-521SS-EX	1-1/2"	27-1/8" (689)	21" (533)	2-25/32" (71)
EKJ-525SS-EX	1-1/2"	31-1/8" (791)	25" (635)	2-25/32" (71)
EKJ-529SS-EX	1-1/2"	35-1/8" (892)	29" (737)	2-25/32" (71)
EKJ-533SS-EX	1-1/2"	39-1/8" (994)	33" (838)	2-25/32" (71)
EKJ-614SS-EX	2"	21-17/64" (540)	14" (356)	3-19/32" (91)
EKJ-618SS-EX	2"	25-17/64" (642)	18" (457)	3-19/32" (91)
EKJ-622SS-EX	2"	29-17/64" (743)	22" (559)	3-19/32" (91)
EKJ-626SS-EX	2"	33-17/64" (845)	26" (660)	3-19/32" (91)
EKJ-630SS-EX	2"	37-17/64" (947)	30" (762)	3-19/32" (91)
EKJ-634SS-EX	2"	41-17/64" (1048)	34" (864)	3-19/32" (91)





FITTINGS K SERIES

LIQUIDTIGHT CONNECTORS

LIQUIDTIGHT®



Suitable for use in hazardous location applications when installed according to NEC Articles 501.10(b), Class I, Div. 2, (Suitable for use in Class I, Zone 2 applications) 502.10 and 503.10.

 LISTED - File E22699

 Certified - File LR70873

FEATURES-SPECIFICATIONS

Features

- Split nylon gland ring – split for easy installation and greater compression
- Digging locknut
- Sealing 'O'-rings included
- Reusable

Materials

- Steel/malleable iron
- Zinc electro-plated

Mesh Grips

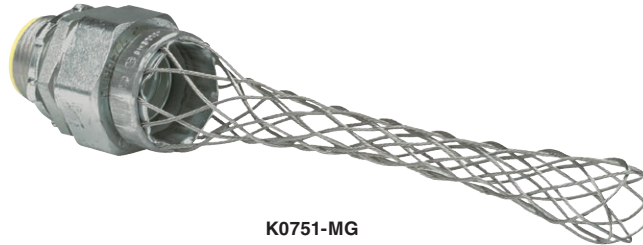
- Stainless steel mesh grips are corrosion resistant and prevent conduit pull-out in high stress installations



LIQUIDTIGHT CONNECTORS



K2001



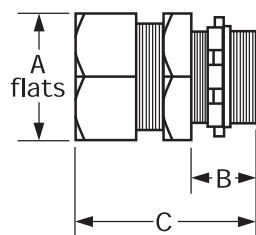
K0751-MG

K LIQUIDTIGHT CONNECTORS – STRAIGHT

CATALOG NUMBER	NPT SIZE	CONNECTOR STYLE	DIMENSIONS		
			A	B	C
K038	3/8"	Straight non-insulated	1-7/16"	19/32"	1-1/16"
K050	1/2"	Straight non-insulated	1-7/16"	19/32"	1-13/16"
K075	3/4"	Straight non-insulated	1-9/16"	19/32"	1-3/8"
K100	1"	Straight non-insulated	1-11/16"	21/32"	1-11/16"
K125	1-1/4"	Straight non-insulated	2-1/32"	11/16"	2-1/16"
K150	1-1/2"	Straight non-insulated	2-7/32"	11/16"	2-3/8"
K200	2"	Straight non-insulated	2-9/32"	23/32"	2-7/8"
K250	2-1/2"	Straight non-insulated	3-1/2"	1"	3-5/8"
K300	3"	Straight non-insulated	3-3/4"	1"	4-5/16"
K350	3-1/2"	Straight non-insulated	3-3/4"	1"	4-3/4"
K400	4"	Straight non-insulated	3-3/4"	1"	5-5/16"
K0381*	3/8"	Straight insulated	1-7/16"	21/32"	1-1/16"
K0501*	1/2"	Straight insulated	1-7/16"	21/32"	1-3/16"
K0751*	3/4"	Straight insulated	1-5/8"	21/32"	1-3/8"
K1001*	1"	Straight insulated	1-3/4"	23/32"	1-11/16"
K1251*	1-1/4"	Straight insulated	2-3/32"	3/4"	2-1/16"
K1501*	1-1/2"	Straight insulated	2-9/32"	3/4"	2-3/8"
K2001*	2"	Straight insulated	2-11/32"	25/32"	2-7/8"
K2501*	2-1/2"	Straight insulated	3-1/2"	1"	3-5/8"
K3001*	3"	Straight insulated	3-3/4"	1"	4-5/16"
K3501	3-1/2"	Straight insulated	3-3/4"	1"	4-3/4"
K4001*	4"	Straight insulated	3-3/4"	1"	5-5/16"

* For mesh grip, add - **MG** to Catalog Number. Example **K0381-MG**.

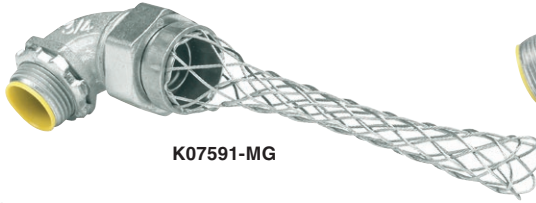
DIMENSIONS





FITTINGS K SERIES

LIQUIDTIGHT CONNECTORS



K07591-MG



K20041-MG



K0759
90° Non-Insulated



K07591
90° Insulated



K2004
45° Non-Insulated



K20041
45° Insulated

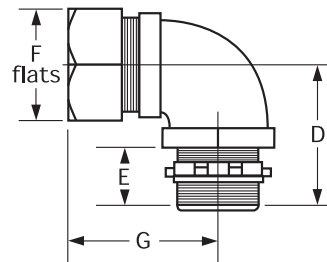
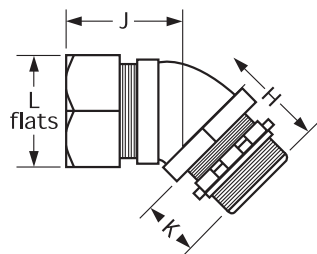
K LIQUIDTIGHT CONNECTORS – 90° BEND						
CATALOG NUMBER	NPT SIZE	CONNECTOR STYLE	DIMENSIONS			
			D	E	F	G
K0389	3/8"	90° non-insulated	1-1/2"	5/8"	1"	1-3/4"
K0509	1/2"	90° non-insulated	1-1/2"	5/8"	1-1/8"	1-3/4"
K0759	3/4"	90° non-insulated	1-19/32"	5/8"	1-3/8"	1-15/16"
K1009	1"	90° non-insulated	1-3/16"	5/8"	1-5/8"	2-3/16"
K1259	1-1/4"	90° non-insulated	2"	11/16"	2-1/16"	2-9/16"
K1509	1-1/2"	90° non-insulated	2-3/16"	11/16"	2-3/8"	3"
K2009	2"	90° non-insulated	2-17/32"	23/32"	2-7/8"	3-5/8"
K2509**	2-1/2"	90° non-insulated	3-3/8"	1"	3-5/8"	4-1/4"
K3009	3"	90° non-insulated	3-11/16"	1"	4-5/16"	4-7/8"
K4009	4"	90° non-insulated	4-3/16"	1"	5-5/16"	5-5/8"
K03891*	3/8"	90° Insulated	1-9/16"	11/16"	1"	1-3/4"
K05091*	1/2"	90° Insulated	1-9/16"	11/16"	1-1/8"	1-3/4"
K07591*	3/4"	90° Insulated	1-21/32"	11/16"	1-3/8"	1-15/16"
K10091*	1"	90° Insulated	1-7/8"	11/16"	1-5/8"	2-3/16"
K12591*	1-1/4"	90° Insulated	2-1/16"	3/4"	2-1/16"	2-9/16"
K15091*	1-1/2"	90° Insulated	2-1/4"	3/4"	2-3/8"	3"
K20091*	2"	90° Insulated	2-19/32"	25/32"	2-7/8"	3-5/8"
K25091*	2-1/2"	90° Insulated	3-3/8"	1"	3-5/8"	4-1/4"
K30091*	3"	90° Insulated	3-11/16"	1"	4-5/16"	4-7/8"
K40091*	4"	90° Insulated	4-3/16"	1"	5-5/16"	5-5/8"

K LIQUIDTIGHT CONNECTORS – 45° BEND						
CATALOG NUMBER	NPT SIZE	CONNECTOR STYLE	DIMENSIONS			
			H	J	K	L
K0384	3/8"	45° non-insulated	1-5/32"	1-9/32"	19/32"	1"
K0504	1/2"	45° non-insulated	1-5/32"	1-9/32"	19/32"	1-1/8"
K0754	3/4"	45° non-insulated	1-11/64"	1-7/16"	19/32"	1-3/8"
K1004	1"	45° non-insulated	1-13/32"	1-23/32"	21/32"	1-5/8"
K1254	1-1/4"	45° non-insulated	1-27/64"	2-1/32"	5/8"	2-1/16"
K1504	1-1/2"	45° non-insulated	1-21/32"	1-15/16"	21/32"	2-3/8"
K2004	2"	45° non-insulated	1-11/16"	2-7/16"	21/32"	2-7/8"
K03841*	3/8"	45° Insulated	1-7/32"	1-9/32"	21/32"	1"
K05041*	1/2"	45° Insulated	1-7/32"	1-9/32"	21/32"	1-1/8"
K07541*	3/4"	45° Insulated	1-15/64"	1-7/16"	21/32"	1-3/8"
K10041*	1"	45° Insulated	1-15/32"	1-23/32"	23/32"	1-5/8"
K12541*	1-1/4"	45° Insulated	1-31/64"	2-1/32"	11/16"	2-1/16"
K15041*	1-1/2"	45° Insulated	1-23/32"	1-15/16"	23/32"	2-3/8"
K20041*	2"	45° Insulated	1-3/4"	2-7/16"	23/32"	2-7/8"

* For mesh grip, add **-MG** to Catalog Number. Example **K03891-MG**.

** Use K25091 insulated.

DIMENSIONS





GROUNDED LIQUIDTIGHT CONNECTORS

LIQUIDTIGHT®



90°



Straight



45°

UL LISTED - File E152165, E22699

CSA Certified - File LR70873

FEATURES-SPECIFICATIONS

K GROUNDING STYLE

Features

- Lay-in grounding lug
- Fittings are plated steel for excellent durability
- Insulated throat fittings protect conductors from insulation damage

Materials

- Steel/malleable iron
- Zinc electro-plated



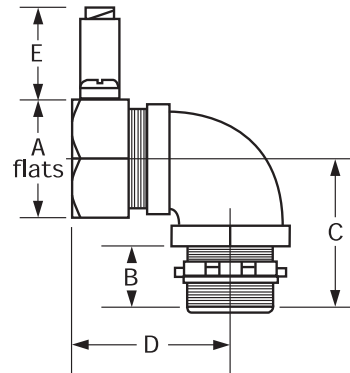
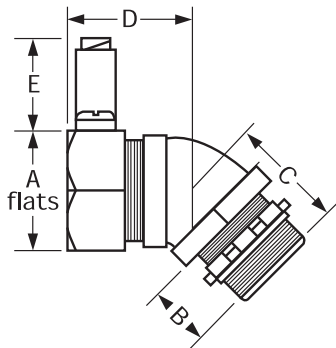
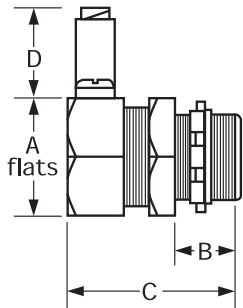
FITTINGS
K SERIES

GROUNDED LIQUIDTIGHT CONNECTORS

K LIQUIDTIGHT GROUNDING STYLE & MESH GRIPS								
CATALOG NUMBER CONNECTOR ONLY	NPT SIZE	DESC.	DIMENSIONS					
			A	B	C	D	E	
K0381-G	3/8"	Straight Insulated	1-1/16"	19/32"	1-7/16"	25/32"	-	
K0501-G	1/2"		1-3/16"	19/32"	1-7/16"	25/32"	-	
K0751-G	3/4"		1-3/8"	19/32"	1-9/16"	25/32"	-	
K1001-G	1"		1-11/16"	21/32"	1-11/16"	25/32"	-	
K1251-G	1-1/4"		2-1/16"	5/8"	2-1/32"	25/32"	-	
K1501-G	1-1/2"		2-3/8"	5/8"	2-7/32"	25/32"	-	
K2001-G	2"		2-7/8"	21/32"	2-9/32"	25/32"	-	
K2501-G	2-1/2"		3-5/8"	1"	3-1/2"	1-11/64"	-	
K3001-G	3"		4-15/16"	1"	3-3/4"	1-11/64"	-	
K3501-G	3-1/2"		4-3/4"	1"	3-3/4"	1-57/64"	-	
K4001-G	4"		5-5/16"	1"	3-3/4"	1-57/64"	-	
K03891-G	3/8"		90° Insulated	1-1/16"	19/32"	1-5/16"	1-7/16"	25/32"
K05091-G	1/2"	1-3/16"		19/32"	1-5/16"	1-7/16"	25/32"	
K07591-G	3/4"	1-3/8"		19/32"	1-7/16"	1-5/8"	25/32"	
K10091-G	1"	1-11/16"		21/32"	1-25/32"	2-3/16"	25/32"	
K12591-G	1-1/4"	2-1/16"		5/8"	1-31/32"	2-1/2"	25/32"	
K15091-G	1-1/2"	2-3/8"		5/8"	2-3/16"	2-11/16"	25/32"	
K20091-G	2"	2-7/8"		21/32"	2-17/32"	3-1/4"	25/32"	
K25091-G	2-1/2"	3-5/8"		1"	3-3/8"	4-1/4"	1-11/64"	
K30091-G	3"	4-15/16"		1"	3-11/16"	4-7/8"	1-11/64"	
K40091-G	4"	5-5/16"		1"	4-3/16"	5-5/8"	1-57/64"	
K03841-G	3/8"	45° Insulated		1-1/16"	19/32"	1-3/16"	1-9/32"	25/32"
K05041-G	1/2"			1-3/16"	19/32"	1-3/16"	1-9/32"	25/32"
K07541-G	3/4"		1-3/8"	19/32"	1-3/16"	1-7/16"	25/32"	
K10041-G	1"		1-11/16"	21/32"	1-3/8"	1-17/32"	25/32"	
K12541-G	1-1/4"		2-1/16"	5/8"	1-27/64"	1-11/16"	25/32"	
K15041-G	1-1/2"		2-3/8"	5/8"	1-21/32"	2"	25/32"	
K20041-G	2"		2-7/8"	21/32"	1-11/16"	2-1/4"	25/32"	

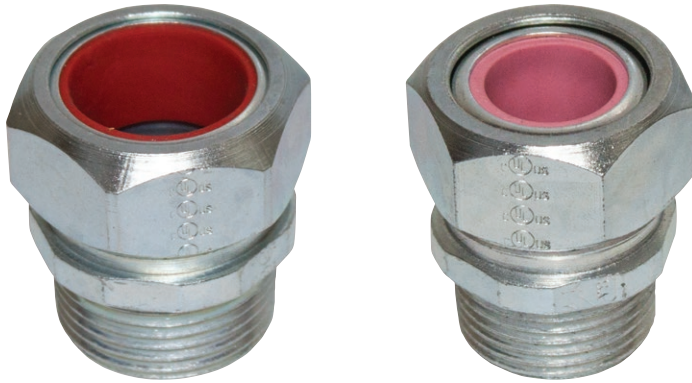
GROUNDING STYLE Wire Capacity

3/8" to 2" #14 solid to #4 Stranded
 2-1/2" to 3" #14 solid to #1/0 Stranded
 3-1/2" to 4" #6 stranded to #250 MCM



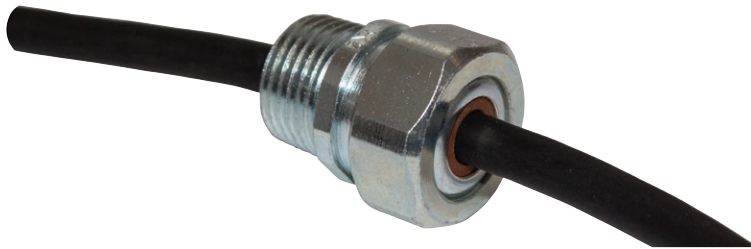


STRAIGHT STEEL CORD GRIPS



Suitable for use in Hazardous Locations
Class I, Division 2, Class II, Divisions
1 & 2, Class III, Divisions 1 & 2 per the
NEC 501-4(b), 505-4(a), 503-3(a)
UL514B
NEMA FB-1
Type Ratings: 4, 4X, 5, 6, 6P, 12, 12K, 13

 - File E22698



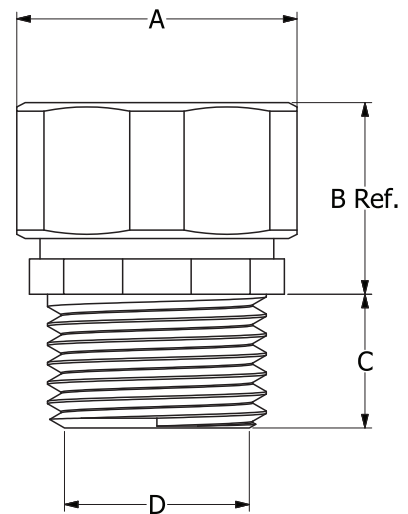
FEATURES-SPECIFICATIONS

Features

- Neoprene grommet seals out oil and moisture
- Unique color-coded grommets for easy cord range identification
- Provides a liquid tight and strain relief termination for flexible type, neoprene, vinyl, or PVC control cord and cable
- Wider and more compression cable ranges to encompass and accommodate specification projects
- Smaller overall profile for the most compact installation
- Cord and Cable Type
 - » S, SO, ST & STO
- Made in the USA

Materials

- Steel/malleable iron
- Zinc electro-plated
- Natural Finish





FITTINGS
CG SERIES

STRAIGHT STEEL CORD GRIPS

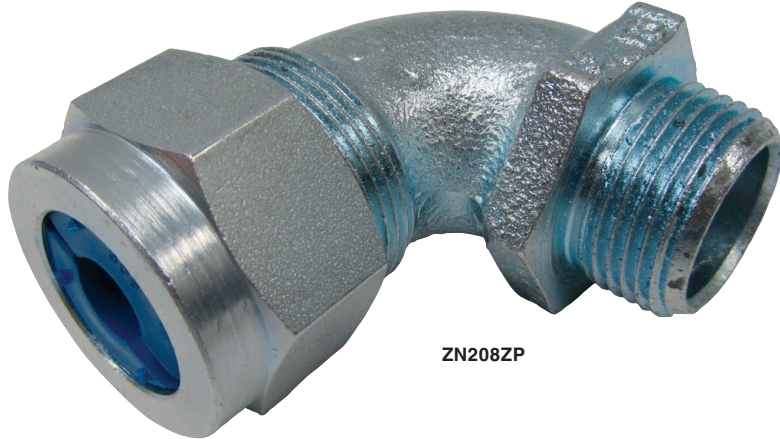
CG CORD CONNECTORS - STRAIGHT								
CATALOG NUMBER	NPT SIZE	CORD RANGES INCHES (MM)	COLOR CODE	DIMENSIONS INCHES (MM)				
				A		B	C	D
				A/C	A/F			
CG1238S	3/8"	.125"-.187" (3.175-4.75)	Red	.94" (23.8)	.875" (22.2)	.88" (22.4)	.44" (11.2)	.44" (11.2)
CG1838S	3/8"	.187"-.312" (4.75-7.92)	Brown	.94" (23.8)	.875" (22.2)	.88" (22.4)	.44" (11.2)	.44" (11.2)
CG3138S	3/8"	.312"-.437" (7.92-12.01)	Yellow	.94" (23.8)	.875" (22.2)	.88" (22.4)	.44" (11.2)	.44" (11.2)
CG31501S	1/2"	.312"-.473" (7.92-12.01)	Yellow	.94" (23.8)	.875" (22.2)	.88" (22.4)	.50" (12.7)	.44" (11.2)
CG1250S	1/2"	.125"-.187" (3.175-4.75)	Red	1.09" (27.8)	1.03" (26.2)	.81" (20.6)	.50" (12.7)	.44" (11.2)
CG1850S	1/2"	.187"-.312" (4.75-7.92)	Brown	1.09" (27.8)	1.03" (26.2)	.81" (20.6)	.50" (12.7)	.63" (15.9)
CG3150S	1/2"	.312"-.437" (7.92-12.01)	Yellow	1.09" (27.8)	1.03" (26.2)	.81" (20.6)	.50" (12.7)	.63" (15.9)
CG3750S	1/2"	.375"-.500" (9.525-12.7)	Purple	1.09" (27.8)	1.03" (26.2)	.81" (20.6)	.50" (12.7)	.63" (15.9)
CG5050S	1/2"	.500"-.625" (12.7-15.88)	Pink	1.09" (27.8)	1.03" (26.2)	.81" (20.6)	.50" (12.7)	.63" (15.9)
CG6250S	1/2"	.625"-.750" (15.88-19.05)	Orange	1.09" (27.8)	1.03" (26.2)	.81" (20.6)	.50" (12.7)	.56" (14.3)
CG1275S	3/4"	.125"-.250" (3.175-6.35)	Blue	1.31" (33.3)	1.28" (32.5)	1.09" (27.7)	.53" (13.5)	.75" (19.1)
CG2575S	3/4"	.250"-.375" (6.35-9.525)	Green	1.31" (33.3)	1.28" (32.5)	1.09" (27.7)	.53" (13.5)	.75" (19.1)
CG3775S	3/4"	.375"-.500" (9.525-12.7)	Purple	1.31" (33.3)	1.28" (32.5)	1.09" (27.7)	.53" (13.5)	.75" (19.1)
CG5075S	3/4"	.500"-.625" (12.7-15.88)	Pink	1.31" (33.3)	1.28" (32.5)	1.09" (27.7)	.53" (13.5)	.75" (19.1)
CG6275S	3/4"	.625"-.750" (15.88-19.05)	Orange	1.31" (33.3)	1.28" (32.5)	1.09" (27.7)	.53" (13.5)	.75" (19.1)
CG7575S	3/4"	.750"-.875" (19.05-22.23)	Gray	1.31" (33.3)	1.28" (32.5)	1.09" (27.7)	.53" (13.5)	.75" (19.1)
CG37100S	1"	.375"-.500" (9.525-12.7)	Purple	1.31" (33.3)	1.28" (32.5)	1.06" (26.9)	.69" (17.5)	.88" (22.4)
CG50100S	1"	.500"-.625" (12.7-15.88)	Pink	1.31" (33.3)	1.28" (32.5)	1.06" (26.9)	.69" (17.5)	.88" (22.4)
CG62100S	1"	.625"-.750" (15.88-19.05)	Orange	1.31" (33.3)	1.28" (32.5)	1.06" (26.9)	.69" (17.5)	.88" (22.4)
CG75100S	1"	.750"-.875" (19.05-22.23)	Gray	1.31" (33.3)	1.28" (32.5)	1.06" (26.9)	.69" (17.5)	1.00" (25.4)
CG87100S	1"	.875"-1.000" (22.23-25.4)	Red	1.63" (41.3)	1.56" (39.6)	1.19" (30.2)	.69" (17.5)	1.00" (25.4)
CG100100S	1"	1.000"-1.125" (25.4-28.58)	Blue	1.63" (41.3)	1.56" (39.6)	1.19" (30.2)	.69" (17.5)	1.00" (25.4)
CG75125S	1-1/4"	.750"-.875" (19.05-22.23)	Gray	1.63" (41.3)	1.56" (39.6)	1.19" (30.2)	.69" (17.5)	1.06" (26.9)
CG87125S	1-1/4"	.875"-1.000" (22.23-25.4)	Red	1.63" (41.3)	1.56" (39.6)	1.19" (30.2)	.69" (17.5)	1.06" (26.9)
CG100125S	1-1/4"	1.000"-1.125" (25.4-28.58)	Blue	1.63" (41.3)	1.56" (39.6)	1.19" (30.2)	.69" (17.5)	1.31" (33.3)
CG112125S	1-1/4"	1.125"-1.250" (28.58-31.75)	Brown	2.03" (51.6)	1.94" (49.3)	1.19" (30.2)	.69" (17.5)	1.31" (33.3)
CG125125S	1-1/4"	1.250"-1.375" (31.75-34.93)	Green	2.03" (51.6)	1.94" (49.3)	1.25" (31.8)	.69" (17.5)	1.31" (33.3)
CG137125S	1-1/4"	1.375"-1.500" (34.93-38.10)	Yellow	2.03" (51.6)	1.94" (49.3)	1.25" (31.8)	.69" (17.5)	1.31" (33.3)
CG115150S	1-1/2"	1.156"-1.312" (29.36-33.32)	Purple	2.38" (60.3)	2.28" (57.9)	1.53" (38.9)	.72" (18.3)	1.62" (41.3)
CG128150S	1-1/2"	1.281"-1.531" (32.54-38.89)	Pink	2.38" (60.3)	2.28" (57.9)	1.53" (38.9)	.72" (18.3)	1.62" (41.3)
CG153200S	2"	1.531"-1.780" (38.89-45.21)	Orange	2.38" (60.3)	2.28" (57.9)	1.78" (45.2)	.72" (18.3)	1.94" (49.3)
CG2060200S	2"	1.940"-2.060" (49.28-52.32)	Orange	2.38" (60.3)	2.28" (57.9)	1.78" (45.2)	.72" (18.3)	1.94" (49.3)
CG1965250S	2-1/2"	1.750"-1.965" (44.45-49.91)	White	3.375 (85.73)	3.25 (82.55)	1.875 (47.63)	1.125 (28.58)	2.438 (61.93)
CG2187250S	2-1/2"	1.937"-2.187 (49.92-55.55)	Orange	3.375 (85.73)	3.25 (82.55)	1.875 (47.63)	1.125 (28.58)	2.438 (61.93)
CG2360250S	2-1/2"	2.156"-2.360 (54.76-59.94)	Brown	3.375 (85.73)	3.25 (82.55)	1.875 (47.63)	1.125 (28.58)	2.438 (61.93)
CG2565250S	2-1/2"	2.350"-2.565 (59.69-65.15)	Green	3.375 (85.73)	3.25 (82.55)	1.875 (47.63)	1.125 (28.58)	2.438 (61.93)
CG2365300S	3"	2.150"-2.365 (54.61-60.07)	Brown	4" (101.6)	3.938" (101.17)	2.188 (55.56)	1.125 (28.58)	2.938" (74.63)
CG2755300S	3"	2.350"-2.565 (59.69-65.15)	Blue	4" (101.6)	3.938" (101.17)	2.188 (55.56)	1.125 (28.58)	2.938" (74.63)
CG2985300S	3"	2.540"-2.985 (64.51-75.82)	Gray	4" (101.6)	3.938" (101.17)	2.188 (55.56)	1.125 (28.58)	2.938" (74.63)
CG3220300S	3"	2.995"-3.220 (76.07-81.79)	Yellow	4" (101.6)	3.938" (101.17)	2.188 (55.56)	1.125 (28.58)	2.938" (74.63)

- Locknuts sold separately





90° STEEL CORD CONNECTORS



ZN208ZP

Type 4, 4X, 12 & 13
 Ta - -30°F to +225°F (-34°C to +107°C)
 Used in hazardous locations per Class I
 Div. 2, Class II Div. 1 & 2, Class III Div. 1
 & 2 in accordance with the NEC 501.

 LISTED - File E22698

 Certified - File LR73478

FEATURES-SPECIFICATIONS

Features

- Neoprene grommet seals out oil and moisture
- Nylon retention ring incorporates a split hinge design to prevent friction and provide strain relief, also color-coded for sizing identification
- These heavy-duty connectors hold up to most manufacturing chemicals including acid solutions, solvents, and other corrosive materials
- Machined steel nut and malleable iron body allows for tightening the compression nut and NPT hub without worrying about stripping the threads
- Wide range of sizes and configurations

Materials

- Steel/malleable iron
- Zinc electro-plated
- Natural Finish



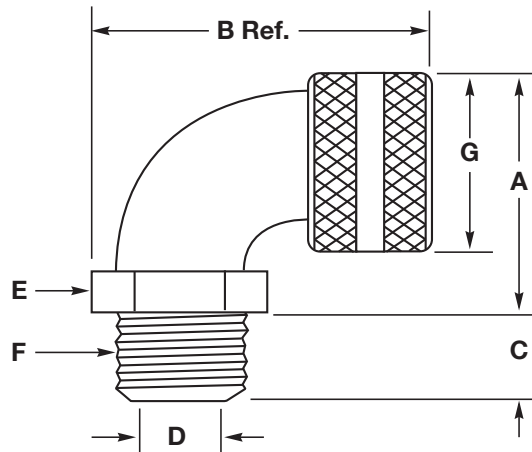
FITTINGS
Z SERIES STD

90° STEEL CORD CONNECTORS

Z CORD CONNECTORS - 90° ^Δ											
CATLOG NUMBER ^Δ	NPT SIZE	CORD RANGES INCHES (MM)	COLOR CODE	DIMENSIONS INCHES (MM)							
				A	B	C	D	E		G	
								A/C	A/F	A/C	A/F
ZN103ZP	1/2"	.187"-.250" (4.75-6.35)	Red	1.65" (41.9)	2.38" (60.5)	.55" (14.0)	.55" (13.8)	1.29" (32.8)	1.13" (28.7)	1.27" (32.3)	1.13" (28.6)
ZN105ZP	1/2"	.250"-.375" (6.35-9.525)	White	1.65" (41.9)	2.38" (60.5)	.55" (14.0)	.55" (13.8)	1.29" (32.8)	1.13" (28.7)	1.27" (32.3)	1.13" (28.6)
ZN108ZP	1/2"	.375"-.500" (9.525-12.7)	Blue	1.65" (41.9)	2.38" (60.5)	.55" (14.0)	.55" (13.8)	1.29" (32.8)	1.13" (28.7)	1.27" (32.3)	1.13" (28.6)
ZN109ZP*	1/2"	.500"-.625" (12.7-15.88)	Brown	1.65" (41.9)	2.38" (60.5)	.55" (14.0)	.55" (13.8)	1.29" (32.8)	1.13" (28.7)	1.27" (32.3)	1.13" (28.6)
ZN208ZP	3/4"	.375"-.500" (9.525-12.7)	Blue	1.88" (47.8)	2.90" (73.7)	.56" (14.2)	.77" (19.4)	1.52" (38.6)	1.33" (33.8)	1.55" (39.2)	1.38" (34.9)
ZN209ZP	3/4"	.500"-.625" (12.7-15.88)	Brown	1.88" (47.8)	2.90" (73.7)	.56" (14.2)	.77" (19.4)	1.52" (38.6)	1.33" (33.8)	1.55" (39.2)	1.38" (34.9)
ZN210ZP	3/4"	.625"-.750" (15.88-19.05)	Yellow	1.88" (47.8)	2.90" (73.7)	.56" (14.2)	.77" (19.4)	1.52" (38.6)	1.33" (33.8)	1.55" (39.2)	1.38" (34.9)
ZN211ZP	3/4"	.750"-.875" (19.05-22.23)	Purple	1.88" (47.8)	2.90" (73.7)	.56" (14.2)	.77" (19.4)	1.52" (38.6)	1.33" (33.8)	1.55" (39.2)	1.38" (34.9)
ZN310ZP	1"	.625"-.750" (15.88-19.05)	Yellow	2.16" (54.9)	3.20" (81.3)	.70" (17.8)	1.00" (25.4)	1.72" (43.7)	1.50" (38.1)	1.92" (48.8)	1.69" (42.8)

^Δ Compression nuts are machined zinc-plated steel and bodies are zinc-plated malleable iron

* Cable jacket may have to be stripped to pass through connector body





ALUMINUM CORD CONNECTORS



ZS108



Locknut

Type 4, 4X, 12 & 13
 Ta -30°F to +225°F (-34°C to +107°C)
 Used in hazardous locations per Class I
 Div. 2, Class II Div. 1 & 2, Class III Div. 1
 & 2 in accordance with the NEC 501

LISTED - File E22698

Certified - File LR73478

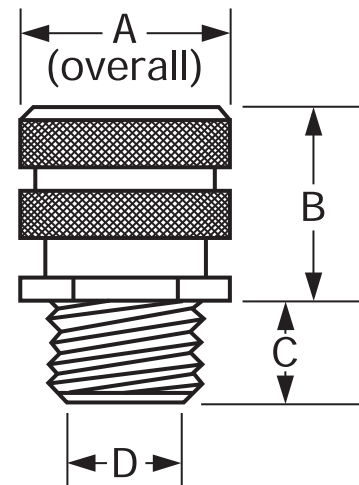
FEATURES-SPECIFICATIONS

Features

- Aluminum construction resists corrosion
- Neoprene grommet seals out oil and moisture
- Nylon retention ring ensures superior holding power
- Wide range of sizes and configurations

Materials

- Copper-free aluminum (less than 1/10 of 1%)
- Natural finish





FITTINGS
Z SERIES

ALUMINUM CORD CONNECTORS

Z CORD CONNECTORS – STRAIGHT							
CATALOG NUMBER	NPT SIZE	CORD RANGES	COLOR CODE	DIMENSIONS			
				A	B	C	D
ZS001	3/8"	.062-.125	Green	.99	.425	.90	.453
ZS002	3/8"	.125-.187	Orange	.99	.425	.90	.453
ZS003	3/8"	.187-.250	Red	.99	.425	.90	.453
ZS004	3/8"	.250-.312	Black	.99	.425	.90	.453
ZS006	3/8"	.312-.375	White	.99	.425	.90	.453
ZS007	3/8"	.375-.437	Blue	.99	.425	.90	.453
ZS101	1/2"	.062-.125	Green	1.13	1.10	.55	.635
ZS102	1/2"	.125-.187	Orange	1.13	1.10	.55	.635
ZS103	1/2"	.187-.250	Red	1.13	1.10	.55	.635
ZS105	1/2"	.250-.375	White	1.13	1.10	.55	.635
ZS108	1/2"	.375-.500	Blue	1.13	1.10	.55	.635
ZS109	1/2"	.500-.625	Brown	1.13	1.10	.55	.635
ZS110*	1/2"	.625-.750	Yellow	1.40	1.50	.55	.635
ZS111*	1/2"	.750-.875	Purple	1.40	1.50	.55	.635
ZS201	3/4"	.062-.125	Green	1.29	1.10	.55	.635
ZS202	3/4"	.125-.187	Orange	1.29	1.10	.55	.635
ZS203	3/4"	.187-.250	Red	1.29	1.10	.55	.635
ZS205	3/4"	.250-.375	White	1.29	1.10	.55	.635
ZS208	3/4"	.375-.500	Blue	1.29	1.10	.55	.635
ZS209	3/4"	.500-.625	Brown	1.29	1.10	.55	.635
ZS210	3/4"	.625-.750	Yellow	1.40	1.50	.55	.815
ZS211*	3/4"	.750-.875	Purple	1.40	1.50	.55	.815
ZS308	1"	.375-.500	Blue	1.81	1.60	.71	1.015
ZS309	1"	.500-.625	Brown	1.81	1.60	.71	1.015
ZS310	1"	.625-.750	Yellow	1.81	1.60	.71	1.015
ZS311	1"	.750-.875	Purple	1.81	1.60	.71	1.015
ZS312	1"	.875-1.000	Gray	1.81	1.60	.71	1.015
ZS313*	1"	1.000-1.125	Pink	2.31	1.70	.66	1.015
ZS314*	1"	1.125-1.250	—	2.31	1.70	.66	1.015
ZS315*	1"	1.250-1.375	—	2.31	1.70	.66	1.015
ZS411	1-1/4"	.750-.875	—	2.31	1.70	.74	1.255
ZS412	1-1/4"	.875-1.000	—	2.31	1.70	.74	1.255
ZS413	1-1/4"	1.000-1.125	—	2.31	1.70	.74	1.255
ZS414	1-1/4"	1.125-1.250	—	2.31	1.70	.74	1.255
ZS415*	1-1/4"	1.250-1.375	—	2.31	1.70	.74	1.255

Z CORD CONNECTORS – STRAIGHT							
CATALOG NUMBER	NPT SIZE	CORD RANGES	DIMENSIONS				
			A	B	C	D	
ZS511	1-1/2"	.750-.875	2.31	1.70	.75	1.38	
ZS512	1-1/2"	.875-1.000	2.31	1.70	.75	1.38	
ZS513	1-1/2"	1.000-1.125	2.31	1.70	.75	1.38	
ZS514	1-1/2"	1.125-1.250	2.31	1.70	.75	1.38	
ZS515	1-1/2"	1.250-1.375	2.31	1.70	.75	1.38	
ZS516	1-1/2"	1.375-1.500	3.00	2.20	.75	1.50	
ZS517*	1-1/2"	1.500-1.625	3.00	2.20	.75	1.50	
ZS518	1-1/2"	1.625-1.750	3.00	2.20	.75	1.50	
ZS520*	1-1/2"	1.750-1.875	3.00	2.20	.75	1.50	
ZS615	2"	1.250-1.375	3.25	2.20	.80	1.92	
ZS616	2"	1.375-1.500	3.25	2.20	.80	1.92	
ZS617	2"	1.500-1.625	3.25	2.20	.80	1.92	
ZS618	2"	1.625-1.750	3.25	2.20	.80	1.92	
ZS620	2"	1.750-1.875	3.25	2.20	.80	1.92	
ZS619	2"	1.688-1.812	4.06	2.70	1.27	1.94	
ZS621	2"	1.812-1.937	4.06	2.70	1.27	1.94	
ZS622*	2"	1.937-2.062	4.06	2.70	1.27	1.94	
ZS623*	2"	2.062-2.188	4.06	2.70	1.27	1.94	
ZS624*	2"	2.188-2.312	4.06	2.70	1.27	1.94	
ZS719	2-1/2"	1.688-1.812	4.33	2.70	1.27	2.34	
ZS721	2-1/2"	1.812-1.937	4.33	2.70	1.27	2.34	
ZS722	2-1/2"	1.937-2.062	4.33	2.70	1.27	2.34	
ZS723	2-1/2"	2.062-2.188	4.33	2.70	1.27	2.34	
ZS724	2-1/2"	2.188-2.312	4.33	2.70	1.27	2.34	
ZS725*	2-1/2"	2.312-2.437	4.33	2.70	1.27	2.34	
ZS819	3"	1.688-1.812	4.33	2.70	1.30	2.54	
ZS822	3"	1.937-2.062	4.33	2.70	1.30	2.54	
ZS823	3"	2.062-2.188	4.33	2.70	1.30	2.54	
ZS824	3"	2.188-2.312	4.33	2.70	1.30	2.54	
ZS825	3"	2.312-2.437	4.33	2.70	1.30	2.54	
ZS826	3"	2.437-2.625	4.87	2.70	1.38	3.00	
ZS827	3"	2.625-2.812	4.87	2.70	1.38	3.00	
ZS828	3"	2.812-3.000	4.87	2.70	1.38	3.00	
ZS829*	3"	3.000-3.250	4.87	2.70	1.38	3.00	

* Cable jacket may have to be stripped to pass through connector body on all sizes.





ALUMINUM CORD CONNECTORS



ZN310



Locknut

Type 4, 4X, 12 & 13
 Ta --30°F to +225°F (-34°C to +107°C)
 Used in hazardous locations per Class I
 Div. 2, Class II Div. 1 & 2, Class III Div. 1
 & 2 in accordance with the NEC 501.

 LISTED - File E22698

 Certified - File LR73478

FEATURES-SPECIFICATIONS

Features

- Aluminum construction resists corrosion
- Neoprene grommet seals out oil and moisture
- Nylon retention ring ensures superior holding power
- Wide range of sizes and configurations

Materials

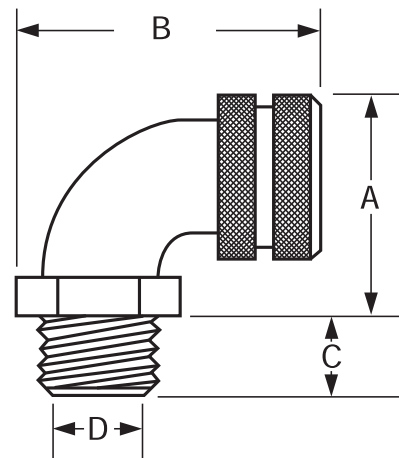
- Copper-free aluminum (less than 1/10 of 1%)
- Natural finish



FITTINGS Z SERIES

ALUMINUM CORD CONNECTORS

Z CORD CONNECTORS – 90°							
CATALOG NUMBER	NPT SIZE	CORD RANGES	COLOR CODE	DIMENSIONS			
				A	B	C	D
ZN102	1/2"	.125-.187	Orange	1.56	2.30	.50	.546
ZN103	1/2"	.187-.250	Red	1.56	2.30	.50	.546
ZN105	1/2"	.250-.375	White	1.56	2.30	.50	.546
ZN108	1/2"	.375-.500	Blue	1.56	2.30	.50	.546
ZN109*	1/2"	.500-.625	Brown	1.56	2.30	.50	.546
ZN208	3/4"	.375-.500	Blue	1.79	2.80	.562	.765
ZN209	3/4"	.500-.625	Brown	1.79	2.80	.562	.765
ZN210*	3/4"	.625-.750	Yellow	1.79	2.80	.562	.765
ZN211*	3/4"	.750-.875	Purple	1.79	2.80	.562	.765
ZN309	1"	.500-.625	Brown	2.08	3.20	.703	1.00
ZN310	1"	.625-.750	Yellow	2.08	3.20	.703	1.00
ZN311	1"	.750-.875	Purple	2.08	3.20	.703	1.00
ZN312*	1"	.875-1.000	Gray	2.08	3.20	.703	1.00
ZN313*	1"	1.000-1.125	Pink	2.08	3.20	.703	1.00
ZN412	1-1/4"	.875-1.000	—	3.18	4.30	.73	1.26
ZN413	1-1/4"	1.000-1.125	—	3.18	4.30	.73	1.26
ZN414*	1-1/4"	1.125-1.250	—	3.18	4.30	.73	1.26
ZN415*	1-1/4"	1.250-1.375	—	3.18	4.30	.73	1.26
ZN515	1-1/2"	1.000-1.125	—	3.18	4.30	.75	1.50
ZN515	1-1/2"	1.250-1.375	—	3.18	4.30	.75	1.50
ZN616	2"	1.375-1.500	—	3.50	5.50	.80	1.92



* Cable jacket may have to be stripped to pass through connector body.

OPTIONAL LOCKNUTS AND SEALING WASHERS		
CATALOG NUMBER		NPT SIZES
STEEL LOCKNUTS ^①	SEALING WASHERS ^②	
KILLN375	—	3/8"
KILLN1	KOR-1	1/2"
KILLN2	KOR-2	3/4"
KILLN3	KOR-3	1"
KILLN4	KOR-4	1-1/4"
KILLN5	KOR-5	1-1/2"
KILLN6	KOR-6	2"
KILLN7	—	2-1/2"
KILLN8	—	3"

① 2-1/2" through 3" are malleable, with hexhead flats.

② Neoprene washers are mounted on steel reinforcing bands.



ALUMINUM CORD CONNECTORS WITH MESH GRIP



ZS310-MG

ZN210-MG

Locknut

 LISTED - File E22698

 Certified - File LR73478

FEATURES-SPECIFICATIONS

Features

- Aluminum fittings are strong, durable, and corrosion resistant
- Internal grommet provides liquidtight seal
- Stainless steel mesh grips resist corrosion, prevent cord pull-out, and control arc-of-bend

Materials

- Copper-free aluminum (less than 1/10 of 1%)
- Natural finish
- Stainless steel mesh grip



FITTINGS Z SERIES

ALUMINUM CORD CONNECTORS WITH MESH GRIP

Z CORD CONNECTORS — STRAIGHT

CATALOG NUMBER	NPT SIZE	CORD RANGES	COLOR CODE	DIMENSIONS			
				A	B	C	D
ZS004-MG	3/8"	.250-.312	Black	.99	.90	.425	.453
ZS006-MG	3/8"	.312-.375	White	.99	.90	.425	.453
ZS007-MG	3/8"	.375-.437	Blue	.99	.90	.425	.453
ZS103-MG	1/2"	.187-.250	Red	1.13	1.10	.55	.635
ZS105-MG	1/2"	.250-.375	White	1.13	1.10	.55	.635
ZS108-MG	1/2"	.375-.500	Blue	1.13	1.10	.55	.635
ZS109-MG	1/2"	.500-.625	Brown	1.13	1.10	.55	.635
ZS110-MG	1/2"	.625-.750	Yellow	1.40	1.50	.55	.635
ZS111-MG	1/2"	.750-.875	Purple	1.40	1.50	.55	.635
ZS203-MG	3/4"	.187-.250	Red	1.29	1.10	.55	.635
ZS205-MG	3/4"	.250-.375	White	1.29	1.10	.55	.635
ZS208-MG	3/4"	.375-.500	Blue	1.29	1.10	.55	.635
ZS209-MG	3/4"	.500-.625	Brown	1.29	1.10	.55	.635
ZS210-MG	3/4"	.625-.750	Yellow	1.40	1.50	.55	.815
ZS211-MG	3/4"	.750-.875	Purple	1.40	1.50	.55	.815
ZS308-MG	1"	.375-.500	Blue	1.81	1.60	.71	1.015
ZS309-MG	1"	.500-.625	Brown	1.81	1.60	.71	1.015
ZS310-MG	1"	.625-.750	Yellow	1.81	1.60	.71	1.015
ZS311-MG	1"	.750-.875	Purple	1.81	1.60	.71	1.015
ZS312-MG	1"	.875-1.00	Gray	1.81	1.60	.71	1.015
ZS313-MG	1"	1.00-1.125	Pink	2.31	1.70	.66	1.015

Z CORD CONNECTORS — 90°

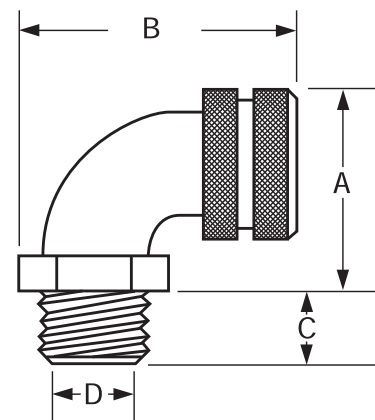
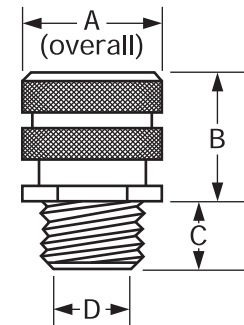
CATALOG NUMBER	NPT SIZE	CORD RANGES	COLOR CODE	DIMENSIONS			
				A	B	C	D
ZN103-MG	1/2"	.187-.250	Red	1.56	2.30	.50	.546
ZN105-MG	1/2"	.250-.375	White	1.56	2.30	.50	.546
ZN108-MG	1/2"	.375-.500	Blue	1.56	2.30	.50	.546
ZN109-MG	1/2"	.500-.625	Brown	1.56	2.30	.50	.546
ZN208-MG	3/4"	.375-.500	Blue	1.79	2.80	.562	.765
ZN209-MG	3/4"	.500-.625	Brown	1.79	2.80	.562	.765
ZN210-MG	3/4"	.625-.750	Yellow	1.79	2.80	.562	.765
ZN211-MG	3/4"	.750-.875	Purple	1.79	2.80	.562	.765

OPTIONAL LOCKNUTS AND SEALING WASHERS

CATALOG NUMBER		NPT SIZES
STEEL LOCKNUTS ^①	SEALING WASHERS ^②	
KILLN375	—	3/8"
KILLN1	KOR-1	1/2"
KILLN2	KOR-2	3/4"
KILLN3	KOR-3	1"
KILLN4	KOR-4	1-1/4"
KILLN5	KOR-5	1-1/2"
KILLN6	KOR-6	2"
KILLN7	—	2-1/2"
KILLN8	—	3"

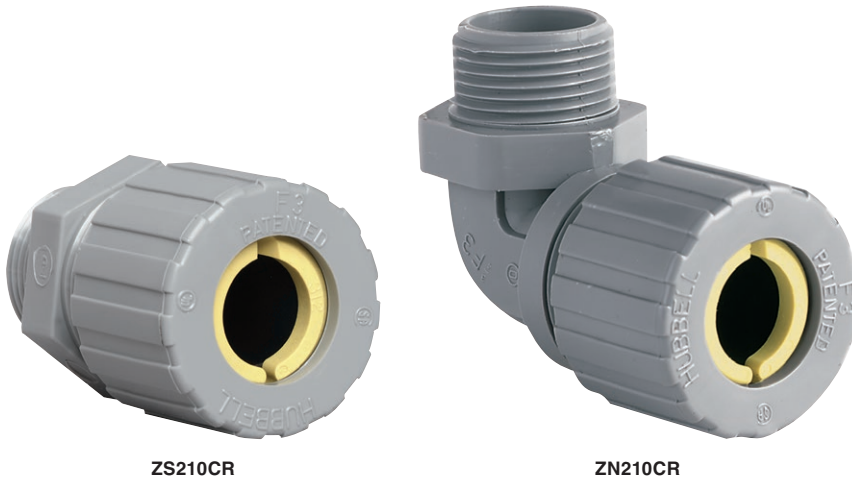
① 2-1/2" through 3" are malleable, with hexhead flats.

② Neoprene washers are mounted on steel reinforcing bands.





CORROSION RESISTANT NYLON CORD CONNECTORS



ZS210CR

ZN210CR

Type 4, 4X, 12, 13
 Ta - -30°F to +225°F (-34°C to +107°C)
 Used in hazardous locations per Class I
 Div. 2, Class II Div. 1 & 2, Class III Div. 1
 & 2 in accordance with the NEC 501.

 LISTED - File E22698

 Certified - File LR73478

FEATURES-SPECIFICATIONS

Features

- Nylon retention ring for increased holding power
- Neoprene bushing seals against moisture
- Nylon connectors obtain approximately the same cord retention values with hand tightening that can be produced only by wrench tightening of metal cord connectors

Materials

- Nylon



FITTINGS Z SERIES

CORROSION RESISTANT NYLON CORD CONNECTORS

Z NYLON CORD CONNECTORS – STRAIGHT			
CATALOG NUMBER*	NPT SIZE	CORD RANGES	COLOR CODE
ZS002CR	3/8"	.125-.187	Orange
ZS003CR	3/8"	.187-.250	Red
ZS004CR	3/8"	.250-.312	Black
ZS006CR	3/8"	.312-.375	White
ZS007CR	3/8"	.375-.437	Blue
ZS101CR	1/2"	.062-.125	Green
ZS102CR	1/2"	.125-.187	Orange
ZS103CR	1/2"	.187-.250	Red
ZS105CR	1/2"	.250-.375	White
ZS108CR	1/2"	.375-.500	Blue
ZS109CR	1/2"	.500-.625	Brown
ZS208CR	3/4"	.375-.500	Blue
ZS209CR	3/4"	.500-.625	Brown
ZS210CR	3/4"	.625-.750	Yellow
ZS211CR*	3/4"	.750-.875	Purple
ZS308CR	1"	.375-.500	Blue
ZS309CR	1"	.500-.625	Brown
ZS310CR	1"	.625-.750	Yellow
ZS311CR	1"	.750-.875	Purple
ZS312CR	1"	.875-1.000	Gray
ZS313CR*	1"	1.000-1.125	Pink

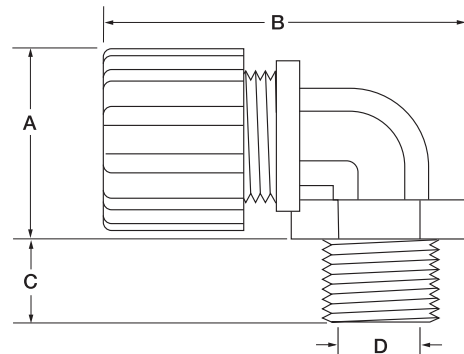
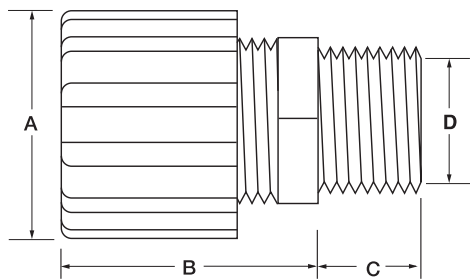
* Cable Jacket may have to be stripped to pass through connector body.

Z NYLON CORD CONNECTORS – 90°			
CATALOG NUMBER*	NPT SIZE	CORD RANGES	COLOR CODE
ZN102CR	1/2"	.125-.187	Orange
ZN103CR	1/2"	.187-.250	Red
ZN105CR	1/2"	.250-.375	White
ZN108CR	1/2"	.375-.500	Blue
ZN109CR	1/2"	.500-.625	Brown
ZN208CR	3/4"	.375-.500	Blue
ZN209CR	3/4"	.500-.625	Brown
ZN210CR*	3/4"	.625-.750	Yellow
ZN211CR*	3/4"	.750-.875	Purple
ZN310CR	1"	.625-.750	Yellow
ZN311CR	1"	.750-.875	Purple
ZN312CR*	1"	.875-1.000	Gray

OPTIONAL LOCKNUTS	
CATALOG NUMBER	NPT SIZE
LN-375CR	3/8"
LN-1CR	1/2"
LN-2CR	3/4"
LN-3CR	1"

Z STRAIGHT DIMENSIONS				
NPT SIZE	DIMENSIONS			
	A	B	C	D
3/8"	63/64"	1-3/32"	7/16"	7/16"
1/2"	1-1/4"	1-1/2"	17/32"	37/64"
3/4"	1-31/64"	1-5/8"	35/64"	49/64"
1"	1-27/32"	1-3/4"	11/16"	1-1/16"

Z 90° DIMENSIONS				
NPT SIZE	DIMENSIONS			
	A	B	C	D
1/2"	1-13/32"	2-1/2"	17/32"	1-1/2"
3/4"	1-21/32"	2-51/64"	35/64"	49/64"
1"	1-63/64"	3-19/64"	11/16"	1-1/64"





INCREASED SAFETY ALUMINUM CORD CONNECTORS



ZS108-EX



Locknut

 **AEx (Class I, Zone 1) Ex e II†**
Type 4**

 LISTED - File E22698

 Certified - File LR73478

† Listed by CSA for Class I, Zone 1 in Canada. Listed by CSA as a Nationally recognized test lab (NRTL) for Class I, Div. 2, Class I, Zone 2 in the United States.

** Type 4 when installed with a proper gasket.

FEATURES-SPECIFICATIONS

Features

- Aluminum construction resists corrosion
- Neoprene grommet seals out oil and moisture
- Nylon retention ring ensures superior holding power
- Wide range of sizes and configurations

Materials

- Copper-free aluminum (less than 1/10 of 1%)
- Natural finish



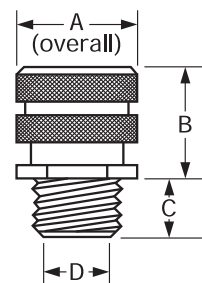
FITTINGS
Z SERIES

INCREASED SAFETY ALUMINUM CORD CONNECTORS

Z CORD CONNECTORS – STRAIGHT							
CATALOG NUMBER	NPT SIZE	CORD RANGES	COLOR CODE	DIMENSIONS			
				A	B	C	D
ZS001-EX	3/8"	.062-.125	Green	.99	.425	.90	.453
ZS002-EX	3/8"	.125-.187	Orange	.99	.425	.90	.453
ZS003-EX	3/8"	.187-.250	Red	.99	.425	.90	.453
ZS004-EX	3/8"	.250-.312	Black	.99	.425	.90	.453
ZS006-EX	3/8"	.312-.375	White	.99	.425	.90	.453
ZS007-EX	3/8"	.375-.437	Blue	.99	.425	.90	.453
ZS101-EX	1/2"	.062-.125	Green	1.13	1.10	.55	.635
ZS102-EX	1/2"	.125-.187	Orange	1.13	1.10	.55	.635
ZS103-EX	1/2"	.187-.250	Red	1.13	1.10	.55	.635
ZS105-EX	1/2"	.250-.375	White	1.13	1.10	.55	.635
ZS108-EX	1/2"	.375-.500	Blue	1.13	1.10	.55	.635
ZS109-EX	1/2"	.500-.625	Brown	1.13	1.10	.55	.635
ZS110-EX*	1/2"	.625-.750	Yellow	1.40	1.50	.55	.635
ZS111-EX*	1/2"	.750-.875	Purple	1.40	1.50	.55	.635
ZS201-EX	3/4"	.062-.125	Green	1.29	1.10	.55	.635
ZS202-EX	3/4"	.125-.187	Orange	1.29	1.10	.55	.635
ZS203-EX	3/4"	.187-.250	Red	1.29	1.10	.55	.635
ZS205-EX	3/4"	.250-.375	White	1.29	1.10	.55	.635
ZS208-EX	3/4"	.375-.500	Blue	1.29	1.10	.55	.635
ZS209-EX	3/4"	.500-.625	Brown	1.29	1.10	.55	.635
ZS210-EX	3/4"	.625-.750	Yellow	1.40	1.50	.55	.815
ZS211-EX*	3/4"	.750-.875	Purple	1.40	1.50	.55	.815
ZS308-EX	1"	.375-.500	Blue	1.81	1.60	.71	1.015
ZS309-EX	1"	.500-.625	Brown	1.81	1.60	.71	1.015
ZS310-EX	1"	.625-.750	Yellow	1.81	1.60	.71	1.015
ZS311-EX	1"	.750-.875	Purple	1.81	1.60	.71	1.015
ZS312-EX	1"	.875-1.000	Gray	1.81	1.60	.71	1.015
ZS313-EX*	1"	1.000-1.125	Pink	2.31	1.70	.66	1.015
ZS314-EX*	1"	1.125-1.250	-	2.31	1.70	.66	1.015
ZS315-EX*	1"	1.250-1.375	-	2.31	1.70	.66	1.015
ZS411-EX	1-1/4"	.750-.875	-	2.31	1.70	.74	1.255
ZS412-EX	1-1/4"	.875-1.000	-	2.31	1.70	.74	1.255
ZS413-EX	1-1/4"	1.000-1.125	-	2.31	1.70	.74	1.255
ZS414-EX	1-1/4"	1.125-1.250	-	2.31	1.70	.74	1.255
ZS415-EX*	1-1/4"	1.250-1.375	-	2.31	1.70	.74	1.255

* Cable jacket may have to be stripped to pass through connector body on all sizes.

Z CORD CONNECTORS — STRAIGHT							
CATALOG NUMBER	NPT SIZE	CORD RANGES	DIMENSIONS				
			A	B	C	D	
ZS511-EX	1-1/2"	.750-.875	2.31	1.70	.75	1.38	
ZS512-EX	1-1/2"	.875-1.000	2.31	1.70	.75	1.38	
ZS513-EX	1-1/2"	1.000-1.125	2.31	1.70	.75	1.38	
ZS514-EX	1-1/2"	1.125-1.250	2.31	1.70	.75	1.38	
ZS515-EX	1-1/2"	1.250-1.375	2.31	1.70	.75	1.38	
ZS516-EX	1-1/2"	1.375-1.500	3.00	2.20	.75	1.50	
ZS517-EX*	1-1/2"	1.500-1.625	3.00	2.20	.75	1.50	
ZS518-EX*	1-1/2"	1.625-1.750	3.00	2.20	.75	1.50	
ZS520-EX*	1-1/2"	1.750-1.875	3.00	2.20	.75	1.50	
ZS615-EX	2"	1.250-1.375	3.25	2.20	.80	1.92	
ZS616-EX	2"	1.375-1.500	3.25	2.20	.80	1.92	
ZS617-EX	2"	1.500-1.625	3.25	2.20	.80	1.92	
ZS618-EX	2"	1.625-1.750	3.25	2.20	.80	1.92	
ZS620-EX	2"	1.750-1.875	3.25	2.20	.80	1.92	
ZS619-EX	2"	1.688-1.812	4.06	2.70	1.27	1.94	
ZS621-EX	2"	1.812-1.937	4.06	2.70	1.27	1.94	
ZS622-EX*	2"	1.937-2.062	4.06	2.70	1.27	1.94	
ZS623-EX*	2"	2.062-2.188	4.06	2.70	1.27	1.94	
ZS624-EX*	2"	2.188-2.312	4.06	2.70	1.27	1.94	
ZS719-EX	2-1/2"	1.688-1.812	4.33	2.70	1.27	2.34	
ZS721-EX	2-1/2"	1.812-1.937	4.33	2.70	1.27	2.34	
ZS722-EX	2-1/2"	1.937-2.062	4.33	2.70	1.27	2.34	
ZS723-EX	2-1/2"	2.062-2.188	4.33	2.70	1.27	2.34	
ZS724-EX	2-1/2"	2.188-2.312	4.33	2.70	1.27	2.34	
ZS725-EX*	2-1/2"	2.312-2.437	4.33	2.70	1.27	2.34	
ZS819-EX	3"	1.688-1.812	4.33	2.70	1.30	2.54	
ZS822-EX	3"	1.937-2.062	4.33	2.70	1.30	2.54	
ZS823-EX	3"	2.062-2.188	4.33	2.70	1.30	2.54	
ZS824-EX	3"	2.188-2.312	4.33	2.70	1.30	2.54	
ZS825-EX	3"	2.312-2.437	4.33	2.70	1.30	2.54	
ZS826-EX	3"	2.437-2.625	4.87	2.70	1.38	3.00	
ZS827-EX	3"	2.625-2.812	4.87	2.70	1.38	3.00	
ZS828-EX	3"	2.812-3.000	4.87	2.70	1.38	3.00	
ZS829-EX*	3"	3.000-3.250	4.87	2.70	1.38	3.00	





INCREASED SAFETY ALUMINUM CORD CONNECTORS



ZN310-EX



Locknut

 **AEx (Class I, Zone 1) Ex e II†**
Type 4**

 **LISTED** - File E22698

 **Certified** - File LR73478

† Listed by CSA for Class I, Zone 1 in Canada. Listed by CSA as a Nationally recognized test lab (NRTL) for Class I, Div. 2, Class I, Zone 2 in the United States.

** Type 4 when installed with a proper gasket.

FEATURES-SPECIFICATIONS

Features

- Aluminum construction resists corrosion
- Neoprene grommet seals out oil and moisture
- Nylon retention ring ensures superior holding power
- Wide range of sizes and configurations

Materials

- Copper-free aluminum (less than 1/10 of 1%)
- Natural finish

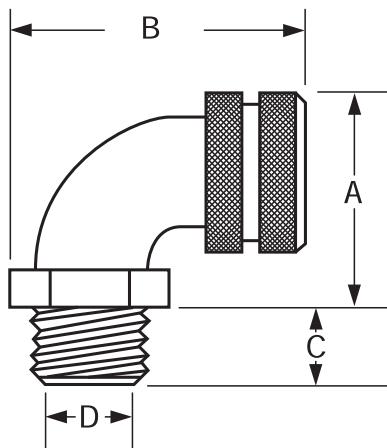


FITTINGS Z SERIES

INCREASED SAFETY ALUMINUM CORD CONNECTORS

Z CORD CONNECTORS – 90°							
CATALOG NUMBER	NPT SIZE	CORD RANGES	COLOR CODE	DIMENSIONS			
				A	B	C	D
ZN102-EX	1/2"	.125-.187	Orange	1.56	2.30	.50	.546
ZN103-EX	1/2"	.187-.250	Red	1.56	2.30	.50	.546
ZN105-EX	1/2"	.250-.375	White	1.56	2.30	.50	.546
ZN108-EX	1/2"	.375-.500	Blue	1.56	2.30	.50	.546
ZN109-EX*	1/2"	.500-.625	Brown	1.56	2.30	.50	.546
ZN208-EX	3/4"	.375-.500	Blue	1.79	2.80	.562	.765
ZN209-EX	3/4"	.500-.625	Brown	1.79	2.80	.562	.765
ZN210-EX*	3/4"	.625-.750	Yellow	1.79	2.80	.562	.765
ZN211-EX*	3/4"	.750-.875	Purple	1.79	2.80	.562	.765
ZN309-EX	1"	.500-.625	Brown	2.08	3.20	.703	1.00
ZN310-EX	1"	.625-.750	Yellow	2.08	3.20	.703	1.00
ZN311-EX	1"	.750-.875	Purple	2.08	3.20	.703	1.00
ZN312-EX*	1"	.875-1.000	Gray	2.08	3.20	.703	1.00
ZN313-EX*	1"	1.000-1.125	Pink	2.08	3.20	.703	1.00
ZN412-EX	1-1/4"	.875-1.000	—	3.18	4.30	.73	1.26
ZN413-EX	1-1/4"	1.000-1.125	—	3.18	4.30	.73	1.26
ZN414-EX*	1-1/4"	1.125-1.250	—	3.18	4.30	.73	1.26
ZN415-EX*	1-1/4"	1.250-1.375	—	3.18	4.30	.73	1.26
ZN513-EX	1-1/2"	1.000-1.125	—	3.18	4.30	.75	1.50
ZN515-EX	1-1/2"	1.250-1.375	—	3.18	4.30	.75	1.50
ZN616-EX	2"	1.375-1.500	—	3.50	5.50	.80	1.92

* Cable jacket may have to be stripped to pass through connector body.



OPTIONAL LOCKNUTS AND SEALING WASHERS		
CATALOG NUMBER		NPT SIZES
STEEL LOCKNUTS ^①	SEALING WASHERS ^②	
KILLN375	—	3/8"
KILLN1	KOR-1	1/2"
KILLN2	KOR-2	3/4"
KILLN3	KOR-3	1"
KILLN4	KOR-4	1-1/4"
KILLN5	KOR-5	1-1/2"
KILLN6	KOR-6	2"
KILLN7	—	2-1/2"
KILLN8	—	3"

① 2-1/2" through 3" are malleable, with hexhead flats.

② Neoprene washers are mounted on steel reinforcing bands.



INCREASED SAFETY ALUMINUM CORD CONNECTOR WITH MESH GRIP



 **AEx (Class I, Zone 1) Ex e II†**
Type 4**

 **LISTED** - File E22698

 **Certified** - File LR73478
See files for details or call Killark.

† Listed by CSA for Class I, Zone 1 in Canada. Listed by CSA as a Nationally recognized test lab (NRTL) for Class I, Div. 2, Class I, Zone 2 in the United States.

** Type 4 when installed with a proper gasket.

FEATURES-SPECIFICATIONS

Features

- Aluminum fittings are strong, durable and corrosion resistant
- Internal grommet provides liquidtight seal
- Stainless steel mesh grips resist corrosion, prevent cord pull-out and control arc-of-bend

Materials

- Copper-free aluminum (less than 1/10 of 1%)
- Natural finish
- Stainless steel mesh grip



FITTINGS Z SERIES

INCREASED SAFETY ALUMINUM CORD CONNECTOR WITH MESH GRIP

Z CORD CONNECTORS – STRAIGHT

CATALOG NUMBER	NPT SIZE	CORD RANGES	COLOR CODE	DIMENSIONS			
				A	B	C	D
ZS004-EX-MG	3/8"	.250-.312	Black	.99	.90	.425	.453
ZS006-EX-MG	3/8"	.312-.375	White	.99	.90	.425	.453
ZS007-EX-MG	3/8"	.375-.437	Blue	.99	.90	.425	.453
ZS103-EX-MG	1/2"	.187-.250	Red	1.13	1.10	.55	.635
ZS105-EX-MG	1/2"	.250-.375	White	1.13	1.10	.55	.635
ZS108-EX-MG	1/2"	.375-.500	Blue	1.13	1.10	.55	.635
ZS109-EX-MG	1/2"	.500-.625	Brown	1.13	1.10	.55	.635
ZS110-EX-MG*	1/2"	.625-.750	Yellow	1.40	1.50	.55	.635
ZS111-EX-MG*	1/2"	.750-.875	Purple	1.40	1.50	.55	.635
ZS203-EX-MG	3/4"	.187-.250	Red	1.29	1.10	.55	.635
ZS205-EX-MG	3/4"	.250-.375	White	1.29	1.10	.55	.635
ZS208-EX-MG	3/4"	.375-.500	Blue	1.29	1.10	.55	.635
ZS209-EX-MG	3/4"	.500-.625	Brown	1.29	1.10	.55	.635
ZS210-EX-MG	3/4"	.625-.750	Yellow	1.40	1.50	.55	.815
ZS211-EX-MG*	3/4"	.750-.875	Purple	1.40	1.50	.55	.815
ZS308-EX-MG	1"	.375-.500	Blue	1.81	1.60	.71	1.015
ZS309-EX-MG	1"	.500-.625	Brown	1.81	1.60	.71	1.015
ZS310-EX-MG	1"	.625-.750	Yellow	1.81	1.60	.71	1.015
ZS311-EX-MG	1"	.750-.875	Purple	1.81	1.60	.71	1.015
ZS312-EX-MG*	1"	.875-1.00	Gray	1.81	1.60	.71	1.015
ZS313-EX-MG*	1"	1.00-1.125	Pink	2.31	1.70	.66	1.015

Z CORD CONNECTORS – 90°

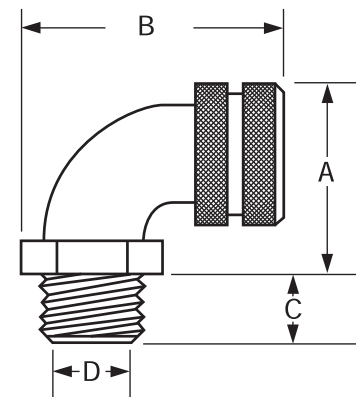
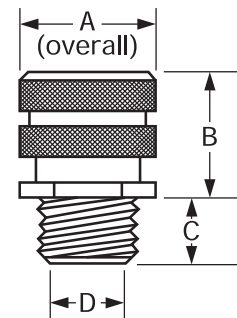
CATALOG NUMBER	NPT SIZE	CORD RANGES	COLOR CODE	DIMENSIONS			
				A	B	C	D
ZN103-EX-MG	1/2"	.187-.250	Red	1.56	2.30	.50	.546
ZN105-EX-MG	1/2"	.250-.375	White	1.56	2.30	.50	.546
ZN108-EX-MG	1/2"	.375-.500	Blue	1.56	2.30	.50	.546
ZN109-EX-MG*	1/2"	.500-.625	Brown	1.56	2.30	.50	.546
ZN208-EX-MG	3/4"	.375-.500	Blue	1.79	2.80	.562	.765
ZN209-EX-MG	3/4"	.500-.625	Brown	1.79	2.80	.562	.765
ZN210-EX-MG*	3/4"	.625-.750	Yellow	1.79	2.80	.562	.765
ZN211-EX-MG*	3/4"	.750-.875	Purple	1.79	2.80	.562	.765

OPTIONAL LOCKNUTS AND SEALING WASHERS

CATALOG NUMBER		NPT SIZES
STEEL LOCKNUTS ^①	SEALING WASHERS ^②	
KILLN375	—	3/8"
KILLN1	KOR-1	1/2"
KILLN2	KOR-2	3/4"
KILLN3	KOR-3	1"
KILLN4	KOR-4	1-1/4"
KILLN5	KOR-5	1-1/2"
KILLN6	KOR-6	2"
KILLN7	—	2-1/2"
KILLN8	—	3"

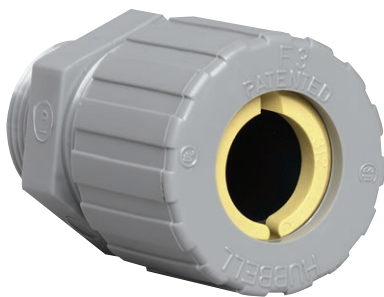
① 2-1/2" through 3" are malleable, with hexhead flats.

② Neoprene washers are mounted on steel reinforcing bands.





INCREASED SAFETY CORROSION RESISTANT NYLON CORD CONNECTORS



ZS210CR-EX



ZN210CR-EX

 **AEx (Class I, Zone 1) Ex e II†**
Type 4**

 LISTED - File E22698

 Certified - File LR73478

† Listed by CSA for Class I, Zone 1 in Canada. Listed by CSA as a Nationally recognized test lab (NRTL) for Class I, Div. 2, Class I, Zone 2 in the United States.

** Type 4 when installed with a proper gasket.

FEATURES-SPECIFICATIONS

Features

- Nylon retention ring for increased holding power
- Neoprene bushing seals against moisture
- Nylon connectors obtain approximately the same cord retention values with hand tightening that can be produced only by wrench tightening of metal cord connectors

Materials

- Nylon



FITTINGS Z SERIES

INCREASED SAFETY CORROSION RESISTANT NYLON CORD CONNECTORS

Z NYLON CORD CONNECTORS – STRAIGHT			
CATALOG NUMBER*	NPT SIZE	CORD RANGES	COLOR CODE
ZS002CR-EX	3/8"	.125-.187	Orange
ZS003CR-EX	3/8"	.187-.250	Red
ZS004CR-EX	3/8"	.250-.312	Black
ZS006CR-EX	3/8"	.312-.375	White
ZS007CR-EX	3/8"	.375-.437	Blue
ZS101CR-EX	1/2"	.062-.125	Green
ZS102CR-EX	1/2"	.125-.187	Orange
ZS103CR-EX	1/2"	.187-.250	Red
ZS105CR-EX	1/2"	.250-.375	White
ZS108CR-EX	1/2"	.375-.500	Blue
ZS109CR-EX	1/2"	.500-.625	Brown
ZS208CR-EX	3/4"	.375-.500	Blue
ZS209CR-EX	3/4"	.500-.625	Brown
ZS210CR-EX	3/4"	.625-.750	Yellow
ZS211CR-EX*	3/4"	.750-.875	Purple
ZS308CR-EX	1"	.375-.500	Blue
ZS309CR-EX	1"	.500-.625	Brown
ZS310CR-EX	1"	.625-.750	Yellow
ZS311CR-EX	1"	.750-.875	Purple
ZS312CR-EX	1"	.875-1.000	Gray
ZS313CR-EX*	1"	1.000-1.125	Pink

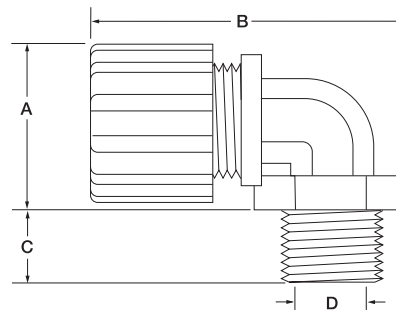
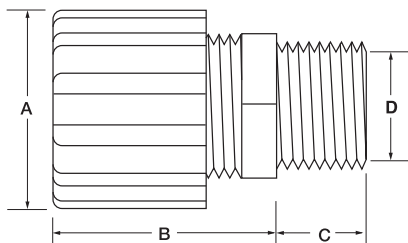
* Cable Jacket may have to be stripped to pass through connector body.

Z NYLON CORD CONNECTORS – 90°			
CATALOG NUMBER*	NPT SIZE	CORD RANGES	COLOR CODE
ZN102CR-EX	1/2"	.125-.187	Orange
ZN103CR-EX	1/2"	.187-.250	Red
ZN105CR-EX	1/2"	.250-.375	White
ZN108CR-EX	1/2"	.375-.500	Blue
ZN109CR-EX	1/2"	.500-.625	Brown
ZN208CR-EX	3/4"	.375-.500	Blue
ZN209CR-EX	3/4"	.500-.625	Brown
ZN210CR-EX*	3/4"	.625-.750	Yellow
ZN211CR-EX*	3/4"	.750-.875	Purple
ZN310CR-EX	1"	.625-.750	Yellow
ZN311CR-EX	1"	.750-.875	Purple
ZN312CR-EX*	1"	.875-1.000	Gray

OPTIONAL LOCKNUTS	
CATALOG NUMBER	NPT SIZE
LN-375CR	3/8"
LN-1CR	1/2"
LN-2CR	3/4"
LN-3CR	1"

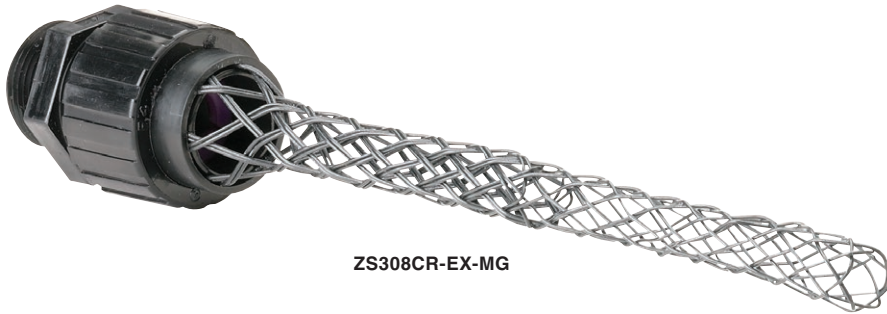
Z STRAIGHT DIMENSIONS				
NPT SIZE	DIMENSIONS			
	A	B	C	D
3/8"	63/64"	1-3/32"	7/16"	7/16"
1/2"	1-1/4"	1-1/2"	17/32"	37/64"
3/4"	1-31/64"	1-5/8"	35/64"	49/64"
1"	1-27/32"	1-3/4"	11/16"	1-1/16"

Z 90° DIMENSIONS				
NPT SIZE	DIMENSIONS			
	A	B	C	D
1/2"	1-13/32"	2-1/2"	17/32"	1-1/2"
3/4"	1-21/32"	2-51/64"	35/64"	49/64"
1"	1-63/64"	3-19/64"	11/16"	1-1/64"





INCREASED SAFETY CORROSION RESISTANT NYLON CORD CONNECTORS



ZS308CR-EX-MG

 **AEx (Class I, Zone 1) Ex e II†**
Type 4**

 LISTED - File E22698

 Certified - File LR73478

† Listed by CSA for Class I, Zone 1 in Canada. Listed by CSA as a Nationally recognized test lab (NRTL) for Class I, Div. 2, Class I, Zone 2 in the United States.

** Type 4 when installed with a proper gasket.

FEATURES-SPECIFICATIONS

Features

- Nylon retention ring for increased holding power
- Neoprene bushing seals against moisture
- Nylon connectors obtain approximately the same cord retention values with hand tightening that can be produced only by wrench tightening of metal cord connectors

Materials

- Nylon
- Kevlar mesh grip

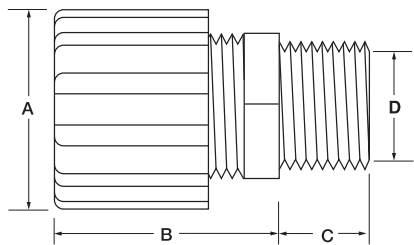


FITTINGS Z SERIES

INCREASED SAFETY CORROSION RESISTANT NYLON CORD CONNECTORS

Z NYLON CORD CONNECTORS – STRAIGHT			
CATALOG NUMBER*	NPT SIZE	CORD RANGES	COLOR CODE
ZS003CR-EX-MG	3/8"	.187-.250	Red
ZS004CR-EX-MG	3/8"	.250-.312	Black
ZS006CR-EX-MG	3/8"	.312-.375	White
ZS103CR-EX-MG	1/2"	.187-.250	Red
ZS105CR-EX-MG	1/2"	.250-.375	White
ZS108CR-EX-MG	1/2"	.375-.500	Blue
ZS208CR-EX-MG	3/4"	.375-.500	Blue
ZS209CR-EX-MG	3/4"	.500-.625	Brown
ZS210CR-EX-MG	3/4"	.625-.750	Yellow
ZS309CR-EX-MG	1"	.500-.625	Brown
ZS310CR-EX-MG	1"	.625-.750	Yellow
ZS311CR-EX-MG	1"	.750-.875	Purple
ZS312CR-EX-MG	1"	.875-1.000	Gray

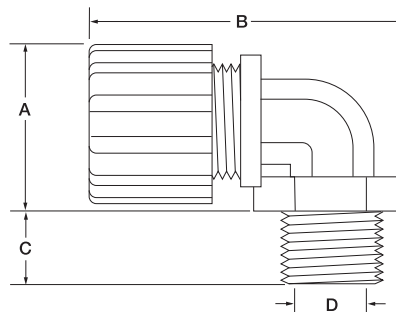
Z STRAIGHT DIMENSIONS				
NPT SIZE	DIMENSIONS			
	A	B	C	D
3/8"	63/64"	1-3/32"	7/16"	7/16"
1/2"	1-1/4"	1-1/2"	17/32"	37/64"
3/4"	1-31/64"	1-5/8"	35/64"	49/64"
1"	1-27/32"	1-3/4"	11/16"	1-1/16"



Z NYLON CORD CONNECTORS – 90°			
CATALOG NUMBER*	NPT SIZE	CORD RANGES	COLOR CODE
ZN105CR-EX-MG	1/2"	.250-.375	White
ZN108CR-EX-MG	1/2"	.375-.500	Blue
ZN208CR-EX-MG	3/4"	.375-.500	Blue
ZN209CR-EX-MG	3/4"	.500-.625	Brown
ZN210CR-EX-MG	3/4"	.625-.750	Yellow
ZN310CR-EX-MG	1"	.625-.750	Yellow
ZN311CR-EX-MG	1"	.750-.875	Purple

OPTIONAL LOCKNUTS	
CATALOG NUMBER	NPT SIZE
LN-375CR	3/8"
LN-1CR	1/2"
LN-2CR	3/4"
LN-3CR	1"

Z 90° DIMENSIONS				
NPT SIZE	DIMENSIONS			
	A	B	C	D
1/2"	1-13/32"	2-1/2"	17/32"	1-1/2"
3/4"	1-21/32"	2-51/64"	35/64"	49/64"
1"	1-63/64"	3-19/64"	11/16"	1-1/64"





SEALING WASHERS AND LOCKNUTS



SWZ60-050NPT



LNZ10-050NPT



ZHLN-170

FEATURES-SPECIFICATIONS

SEALING (IP) WASHERS

Sealing washers are commonly used with cable glands or similar fittings entering an enclosure. While these products are not threaded, they are available with clearance holes to accommodate NPT threads. Sealing washers are available in nylon.

SWZ NYLON WASHERS	
NPT	
SIZE	CATALOG NUMBER
1/2"	SWZ60-050NPT
3/4"	SWZ60-075NPT
1"	SWZ60-100NPT
1-1/4"	SWZ60-125NPT
1-1/2"	SWZ60-150NPT
2"	SWZ60-200NPT
2-1/2"	SWZ60-250NPT
3"	SWZ60-300NPT
3-1/2"	SWZ60-350NPT

LOCKNUTS

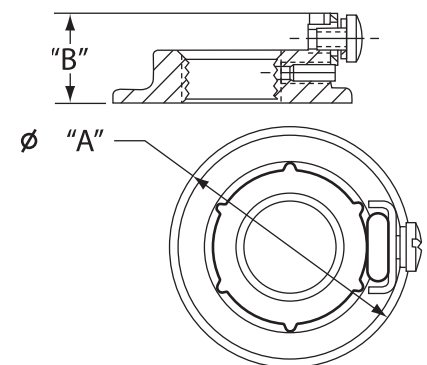
These fittings are commonly used to secure cable glands or similar products entering an enclosure. These products are available in NPT threads. These products are available in nickel plated brass.

LNZ BRASS LOCKNUTS	
NPT	
SIZE	CATALOG NUMBER
1/2"	LNZ10-050NPT
3/4"	LNZ10-075NPT
1"	LNZ10-100NPT
1-1/4"	LNZ10-125NPT
1-1/2"	LNZ10-150NPT
2"	LNZ10-200NPT
2-1/2"	LNZ10-250NPT
3"	LNZ10-300NPT

INCREASED SAFETY LOCKNUTS

Used to secure conduit hubs or similar products entering an enclosure, these zinc locknuts have an increased safety terminal for grounding purposes.

ZHLN ZINC LOCKNUTS			
NPT		DIMENSIONS	
SIZE	CATALOG NUMBER	DIAMETER A	HEIGHT B
1/2"	ZHLN-170	1.5"	11/16"
3/4"	ZHLN-270	1.7"	3/4"
1"	ZHLN-370	2.0"	3/4"
1-1/4"	ZHLN-470	2.4"	53/64"
1-1/2"	ZHLN-570	2.8"	31/32"
2"	ZHLN-670	3.3"	31/32"
2-1/2"	ZHLN-770	3.7"	1-1/4"
3"	ZHLN-870	4.4"	1-1/4"
3-1/2"	ZHLN-970	5.0"	1-5/16"

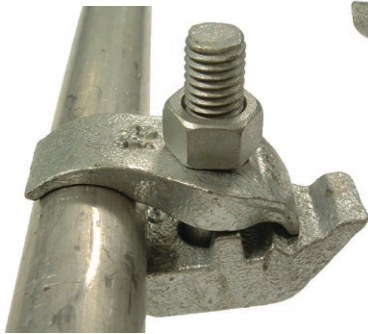




FITTINGS

PCC/ECC/RACC SERIES

CONDUIT CLAMPS



PARALLEL TYPE



EDGE TYPE



RIGHT ANGLE TYPE



Listed - File E213669

FEATURES-SPECIFICATIONS

Features

- Three styles meet every installation need
- Heavy duty U-bolts, hex bolts and hex nuts
- Capable of supporting heavy loads

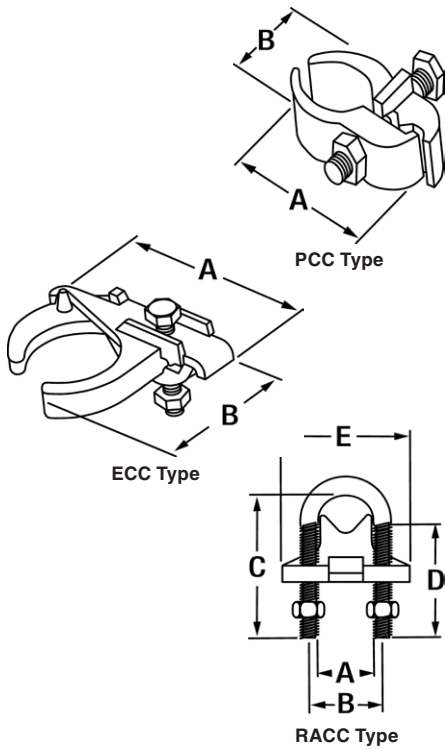
Materials

- Malleable iron (hot dipped galvanized) with steel U-bolts and nuts (mechanically galvanized).



CONDUIT CLAMPS

DIMENSIONS



PCC PARALLEL TYPE CLAMPS			
CATALOG NUMBER	CONDUIT SIZE	A	B
PCC050	1/2"	2-7/8" (73)	1-7/16" (36)
PCC075	3/4"	3-1/16" (78)	1-11/16" (43)
PCC100	1"	3-1/4" (83)	2" (51)
PCC125	1-1/4"	3-5/8" (92)	2-1/8" (53)
PCC150	1-1/2"	3-7/8" (98)	2-3/16" (56)
PCC200	2"	4-5/8" (117)	2-7/8" (73)
PCC250	2-1/2"	5-1/4" (133)	3-1/4" (83)
PCC300	3"	5-1/8" (149)	3-1/8" (98)
PCC350	3-1/2"	6-5/16" (160)	4-5/16" (110)
PCC400	4"	6-13/16" (173)	4-13/16" (122)

ECC EDGE TYPE CLAMPS			
CATALOG NUMBER	CONDUIT SIZE	A	B
ECC050	1/2"	2-13/16" (71)	2-1/8" (54)
ECC075	3/4"	2-15/16" (75)	2-3/8" (60)
ECC100	1"	3-1/16" (78)	2-5/8" (67)
ECC125	1-1/4"	3-1/16" (78)	3-1/16" (78)
ECC150	1-1/2"	3-15/16" (100)	3-1/4" (83)
ECC200	2"	4-1/2" (114)	4-1/16" (103)
ECC250	2-1/2"	5-1/8" (130)	4-5/8" (117)
ECC300	3"	5-3/4" (146)	5-1/4" (133)

RACC RIGHT ANGLE TYPE CLAMPS						
CATALOG NUMBER	CONDUIT SIZE	A	B	C	D	E
RACC050	1/2"	1" (25)	1-1/4" (32)	2-1/2" (64)	1-13/16" (46)	2-1/16" (52)
RACC075	3/4"	1-1/8" (29)	1-3/8" (35)	2-13/16" (72)	1-13/16" (46)	2-1/4" (57)
RACC100	1"	1-3/8" (35)	1-5/8" (41)	3-1/16" (78)	1-13/16" (46)	2-9/16" (65)
RACC125	1-1/4"	1-3/4" (44)	2" (51)	3-3/16" (81)	1-13/16" (46)	2-7/8" (73)
RACC150	1-1/2"	2" (51)	2-3/8" (60)	3-1/2" (89)	1-13/16" (46)	3-1/4" (83)
RACC200	2"	2-1/2" (64)	2-1/2" (64)	4-1/2" (114)	2-5/8" (67)	4-1/16" (103)
RACC250	2-1/2"	2-1/2" (64)	3" (76)	3-1/4" (83)	4-7/8" (124)	2-5/8" (67)
RACC300	3"	3-5/8" (92)	3-7/8" (98)	5-3/8" (137)	2-5/8" (67)	5-1/8" (130)
RACC350	3-1/2"	4-1/16" (103)	4-9/16" (116)	5-7/8" (149)	2-5/8" (67)	5-5/8" (143)
RACC400	4"	4-11/16" (119)	5-1/16" (129)	6-11/16" (170)	2-5/8" (67)	6-1/8" (156)



FITTINGS
CGB SERIES

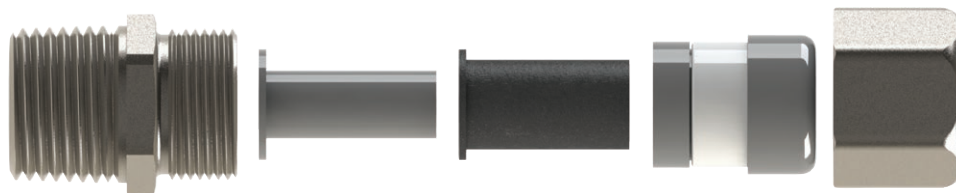


Suitable for use in Class 1 Div. 2 locations when installed in accordance with NEC 501.10b

TYPE 1, 3, 3R, 4, 4X, 12

IP66

Ta -40°C +100°C



On-site removable grommets

FEATURES-SPECIFICATIONS

Features

- Revolutionary design accepts a broader range of cable diameters
- Sealing grommets are field removable to adjust to multiple cable ranges and cable diameter variances
- Eliminates carrying numerous amounts of different CGB type connectors for job sites
- Robust design for superior seal and strain relief
- Available in sizes ranging from ½" to 4" NPT
- No slip rings needed

Materials/Finishes

- Nut/Body – Steel, Aluminum, Nickel plated Brass, 316 stainless steel
- Seals – Chloroprene
- Sealing Ring – Nylon
- Ordering Logic – add suffix - SA (aluminum) NB (nickel plated brass) SS (316L stainless steel) to ending of logic

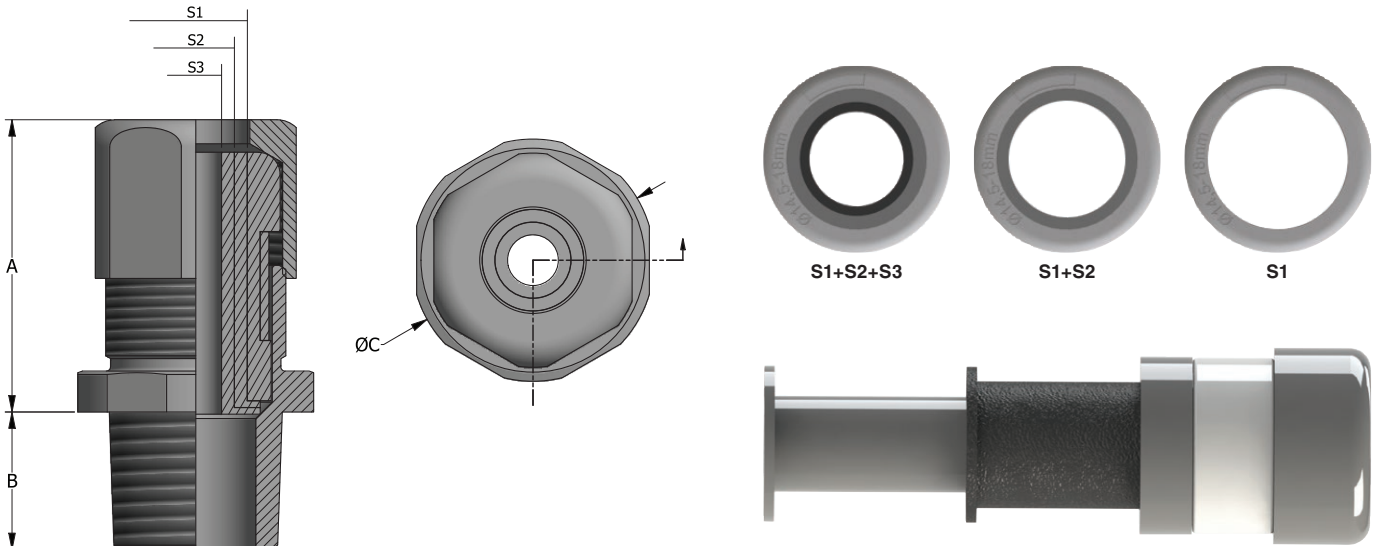
Cable Types

- Flexible cord Types: S, SO, STO, SJ, SJT, SJTO, and SVO
- Tray Cables Types: TC, TC-ER, TC-ER-HL, ITC, ITC-ER, ITC-HL, PLTC- PLTC-ER



PART NUMBER	HUB SIZE	CABLE TYPE	DIMENSIONS			(D) CLAMPING RANGE Ø MIN-MAX	S1+S2+S3	S1+S2	S1
			(A) MAX.	(B) MIN.	ACROSS THE CORNERS				
CGB115	1/2"	Flexible & Tray	1.34" (34)	.63" (16)	.964" (24.5)	.157"-.472" (4-12)	.157"-.236" (4-6)	.236"-.354" (6-9)	.354"-.472" (9-12)
CGB139	1/2"	Flexible & Tray	1.67" (42.5)	.63" (16)	1.28" (32.6)	.394"-.630" (10-16)	.394"-.472" (10-12)	.472"-.571" (12-14,5)	.571"-.630" (14,5-16)
CGB215	3/4"	Flexible & Tray	1.34" (34)	.63" (16)	1.28" (32.6)	1.57"-.472" (4-12)	.157"-.236" (4-6)	.236"-.354" (6-9)	.354"-.472" (9-12)
CGB239	3/4"	Flexible & Tray	1.67" (42.5)	.63" (16)	1.28" (32.6)	.394"-.709" (10-18)	.394"-.472" (10-12)	.472"-.571" (12-14,5)	.571"-.709" (14,5-18)
CGB255	3/4"	Flexible & Tray	1.77" (45)	.79" (20)	1.57" (40)	.551"-.945" (14-20)	.551"-.669" (14-17)	.669"-.945" (17-20)	—
CGB339	1"	Flexible & Tray	1.69" (43)	.79" (20)	1.57" (40)	.394"-.709" (10-18)	.394"-.472" (10-12)	.472"-.571" (12-14,5)	.571"-.709" (14,5-18)
CGB355	1"	Flexible & Tray	1.77" (45)	.79" (20)	1.57" (40)	.551"-.945" (14-24)	.551"-.669" (14-17)	.669"-.945" (17-20)	.787"-.945" (20-24)
CGB386	1"	Flexible & Tray	1.97" (50)	.79" (20)	2" (51)	.866"-.1.02" (22-26)	.866"-.945" (22-24)	.945"-.1.02" (24-26)	—
CGB455	1-1/4"	Flexible & Tray	1.77" (45)	.79" (20)	2" (51)	.551"-.945" (14-24)	.551"-.669" (14-17)	.669"-.945" (17-20)	.787"-.945" (20-24)
CGB486	1-1/4"	Flexible & Tray	1.89" (48.5)	.79" (20)	2" (51)	.866"-.1.26" (22-32)	.866"-.945" (22-24)	.945"-.1.06" (24-27)	1.06"-.1.26" (27-32)
CGB4102	1-1/4"	Flexible & Tray	1.89" 48.5	.79" (20)	2.20" (56)	1.02"-.1.34" (26-34)	1.02"-.1.10" (26-28)	1.10"-.1.22" (28-31)	1.22"-.1.34" (31-34)
CGB586	1-1/2"	Flexible & Tray	1.89" (48.5)	.79" (20)	2.40" (61)	.866"-.1.26" (22-32)	.866"-.945" (22-24)	.945"-.1.06" (24-27)	1.06"-.1.26" (27-32)
CGB5102	1-1/2"	Flexible & Tray	1.95" (49.5)	.79" (20)	2.40" (61)	1.02"-.1.378" (26-35)	1.02"-.1.10" (26-28)	1.10"-.1.22" (28-31)	1.22"-.1.378" (31-35)
CGB5138	1-1/2"	Flexible & Tray	1.89" (48.5)	.79" (20)	2.75" (70)	1.378"-.1.614" (35-41)	1.378"-.1.50" (35-38)	1.50"-.1.61" (38-41)	—
CGB6102	2"	Flexible & Tray	1.95" (49.5)	.79" (20)	2.95" (75)	1.02"-.1.378" (26-35)	1.02"-.1.10" (26-28)	1.10"-.1.22" (28-31)	1.22"-.1.378" (31-35)
CGB6138	2"	Flexible & Tray	1.89" (48.5)	.79" (20)	2.95" (75)	1.378"-.1.772" (35-45)	1.378"-.1.50" (35-38)	1.50"-.1.61" (38-41)	1.61"-.1.772" (41-45)
CGB6181	2"	Flexible & Tray	2.24" (57)	.79" (20)	3.27" (83)	1.811"-.2.047" (46-52)	1.811"-.1.89" (46-48)	1.89"-.2.047" (48-52)	—
CGB7138	2-1/2"	Flexible & Tray	1.89" (48.5)	.83" (21)	3.50" (89)	1.378"-.1.772" (35-45)	1.378"-.1.50" (35-38)	1.50"-.1.61" (38-41)	1.61"-.1.772" (41-45)
CGB7181	2-1/2"	Tray	2.11" (53.5)	.83" (21)	3.50" (89)	1.811"-.2.441" (46-62)	1.811"-.2.01" (46-51)	2.01"-.2.20" (51-56)	2.20"-.2.441" (56-62)
CGB7236	2-1/2"	Tray	2.24" (57)	.83" (21)	4.13" (105)	2.362"-.2.52" (60-64)	2.362"-.2.52" (60-64)	—	—
CGB8181	3"	Tray	2.11" (53.5)	.83" (21)	4.13" (105)	1.811"-.2.441" (46-62)	1.811"-.2.01" (46-51)	2.01"-.2.20" (51-56)	2.20"-.2.441" (56-62)
CGB8236	3"	Tray	2.24" (57)	.83" (21)	4.13" (105)	2.362"-.2.953" (60-75)	2.362"-.2.56" (60-65)	2.56"-.2.756" (65-70)	2.756"-.2.953" (70-75)
CGB8295	3"	Tray	2.20" (56)	.83" (21)	4.61" (117)	2.953"-.3.13" (75-79)	2.953"-.3.07" (75-78)	3.07"-.3.13" (78-79)	—
CGB0236	4"	Tray	2.24" (57)	.83" (21)	5.04" (128)	2.362"-.2.953" (60-75)	2.362"-.2.56" (60-65)	2.56"-.2.756" (65-70)	2.756"-.2.953" (70-75)
CGB0295	4"	Tray	2.20" (56)	.83" (21)	5.04" (128)	2.953"-.3.346" (75-85)	2.953"-.3.07" (75-78)	3.13"-.3.19" (78-81)	3.19"-.3.346" (81-85)
CGB0334	4"	Tray	2.28" (58)	.83" (21)	5.04" (128)	3.346"-.3.74" (85-95)	3.346"-.3.464" (85-88)	3.464"-.3.58" (88-91)	3.58"-.3.74" (91-95)

Add to the end of the catalog logic SA for aluminum SS for stainless steel NB for nickel plated brass*





FITTINGS MC SERIES

ALUMINUM CABLE CONNECTORS



MC

Class II, Div. 1 & 2, Groups E, F, G
Class III
Class I, Zone 2†, Group IIC, Zone 20
Suitable for wet locations
Types 3, 4X IP66
IPX8 6ft 1hr
Suitable for use in Class I, Div. 2
locations when installed
according to NEC Articles 501.10
Ta -50°C to 60°C



FEATURES-SPECIFICATIONS

Features

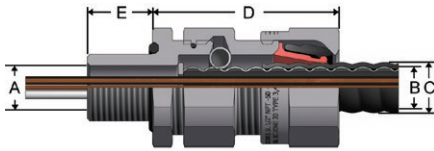
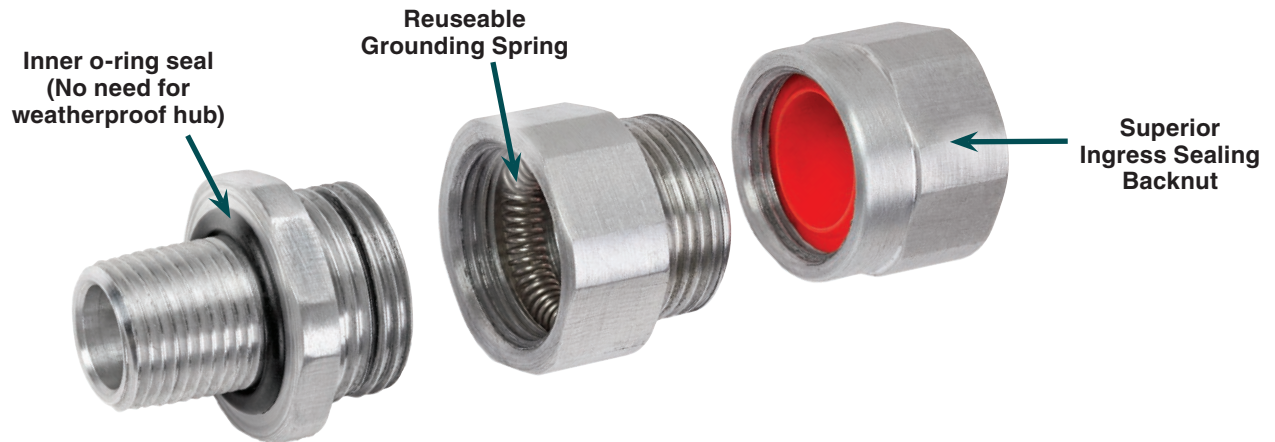
- Used exclusively for armored and unarmored cable types
- Entry component grommet prevents the need for weatherproof hubs in sheet metal enclosures
- Superior and robust design for ingress protection
- Robust threads and world class seal enables easy installation

Materials

- Body – Copper free aluminum (less than 1/10 of 1%)
- Ground Spring – Stainless Steel
- Backnut Seal – Thermoplastic elastomer (silicone)
- Backnut Clamp – Nylon
- Inner and Outer O-rings – Nitrile



Construction Details



SUITABLE ARMORED & UNARMORED CABLE TYPES	
AC-	AC90, ACWU90, AC90-HL, ACWU90-HL, ACG90, ACGWU90
MC-	MCC, MCI, MCI-A, MC-HL
RA-	RA90, RA90-HL
TECK-	TECK90, TECK90-HL
TRAY-	TC, TC-ER, TC-ER-HL, PLTC-ER, ITC, ITC-ER, MV, TYPE P

CATALOG NUMBER	ENTRY THREAD SIZE (NPT)	CABLE ACCEPTANCE DETAILS						MAX LENGTH 'D'	NPT LENGTH 'E'	HEXAGON DIMENSIONS	
		MAX NUMBER OF CORES	THROUGH DIAMETER 'A'	ARMOR DIAMETER 'B'		DIAMETER 'C'				ACROSS FLATS	ACROSS CORNERS
				MIN.	MAX.	MIN.	MAX.				
MC1B	1/2"	6	.47" (11.9)	0.43" (10.9)	0.55" (14.0)	0.51" (13.0)	0.63" (16.0)	1.7" (43)	0.83" (21.1)	1.06" (26.9)	1.12" (28.4)
MC1C	1/2"	10	0.56" (14.2)	0.52" (13.2)	0.74" (18.8)	0.60" (15.2)	0.82" (20.8)	2.3" (58)	0.83" (21.1)	1.42" (36)	1.50" (38.1)
MC2	3/4"	21	0.80" (20.3)	0.65" (16.5)	0.95" (24.1)	0.73" (18.5)	1.03" (26.2)	2.5" (64)	0.84" (21.3)	1.61" (41)	1.69" (42.9)
MC3	1"	42	1.04" (26.4)	0.89" (22.6)	1.23" (31.2)	0.97" (24.6)	1.31" (33.3)	2.6" (66)	1.03" (26.2)	1.97" (50)	2.13" (54.1)
MC4	1 1/4"	73	1.28" (32.5)	1.15" (29.2)	1.48" (37.6)	1.23" (31.2)	1.56" (39.6)	3.1" (79)	1.05" (26.7)	2.36" (60)	2.50" (63.5)
MC5	1 1/2"	80	1.66" (42.2)	1.39" (35.3)	1.62" (41.1)	1.47" (37.3)	1.78" (45.2)	4.5" (114.3)	1.07" (27.2)	2.95" (74.9)	3.06" (77.7)
MC6	2"	80	1.98" (50.3)	1.39" (35.3)	1.89" (48)	1.47" (37.3)	2.04" (51.8)	4.5" (114.3)	1.10" (27.9)	2.95" (74.9)	3.06" (77.7)
MC7	2 1/2"	100	2.46" (62.5)	1.85" (47)	2.36" (60)	1.93" (49)	2.51" (63.8)	4.7" (119.4)	1.62" (41.1)	3.54" (89.1)	3.65" (92.7)
MC8	3"	120	2.93" (74.4)	2.19" (55.6)	2.81" (71.4)	2.27" (57.7)	3.01" (76.5)	4.8" (121.9)	1.68" (42.7)	4.06" (103.1)	4.22" (107.2)
MC9	3 1/2"	120	3.40" (86.4)	2.69" (68.3)	3.28" (83.3)	2.77" (70.4)	3.46" (87.9)	4.8" (121.9)	1.73" (43.9)	4.53" (115.1)	4.69" (119.1)
MC0	4"	120	3.92" (99.6)	3.28" (83.3)	3.82" (97)	3.46" (87.9)	4.07" (103.4)	5.1" (129.5)	1.78" (45.2)	5.12" (130)	5.33" (135.4)

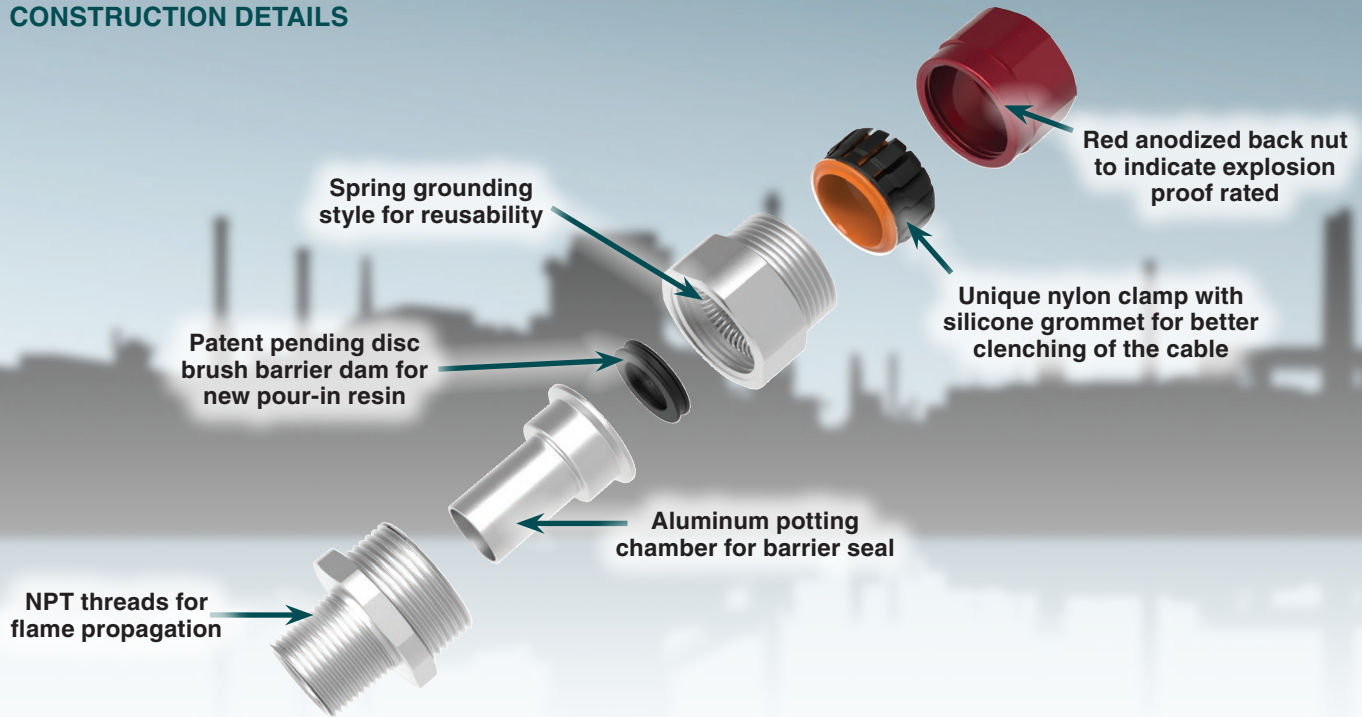
Cable armor diameter and cable jacket diameter refer to the dimensions across the crest.

† Where explosion proof/flameproof enclosures are being used the MC must be installed in conjunction with an approved sealing fitting. In Division 2 areas the MC can be fitted directly to an enclosure which has no source of ignition.

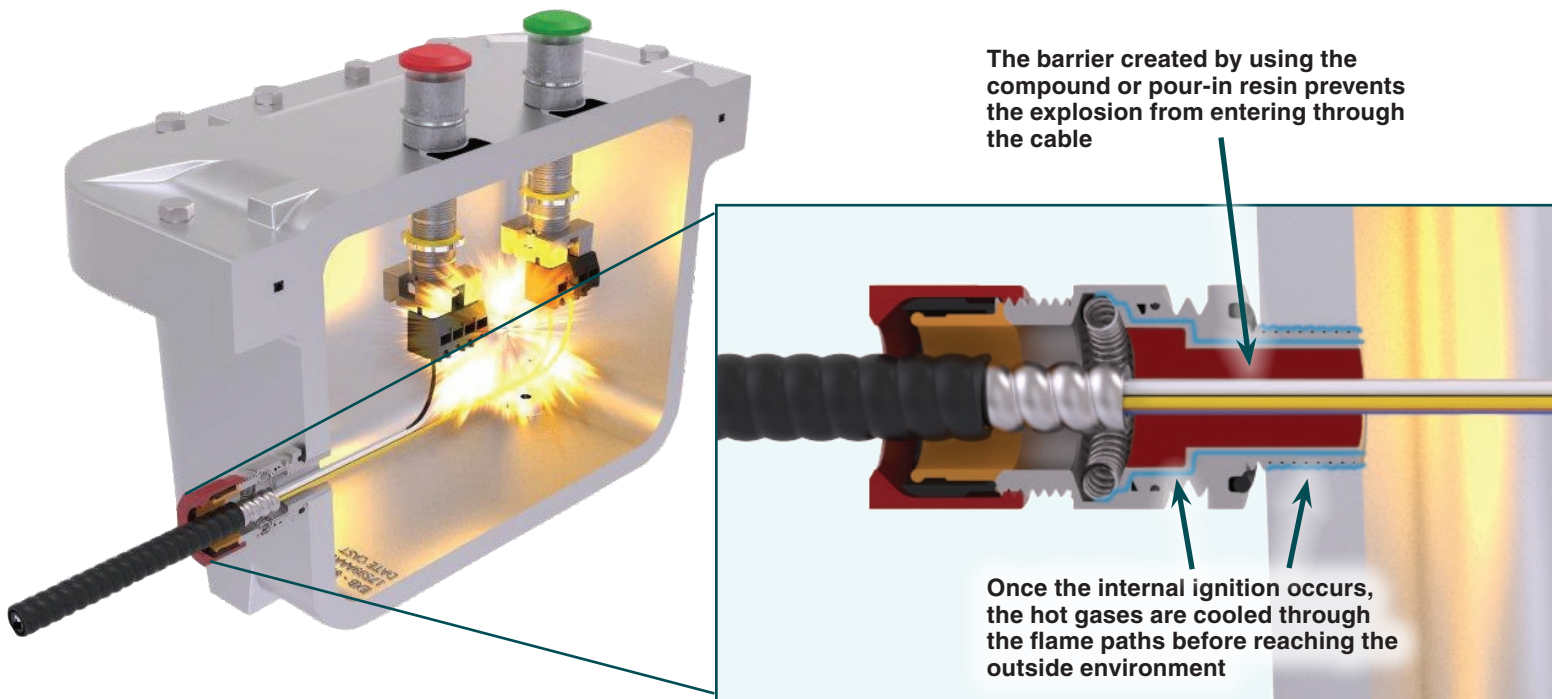


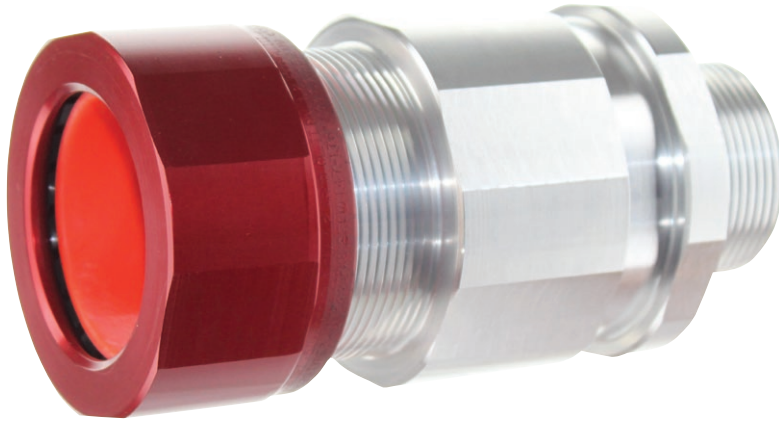
FITTINGS MC2X SERIES

CONSTRUCTION DETAILS



WHEN AN INTERNAL EXPLOSION OCCURS...





Class I, Div. 1 & 2, Groups A, B, C, D
Class II, Div. 1 & 2, Groups E, F, G
Class III
Class I, Zone 1, Groups IIC, Zone 20
Type 3, 4, 4X, 6, IP66, IPX8 6ft/1hr
-50°C to 60°C



FEATURES-SPECIFICATIONS

Features

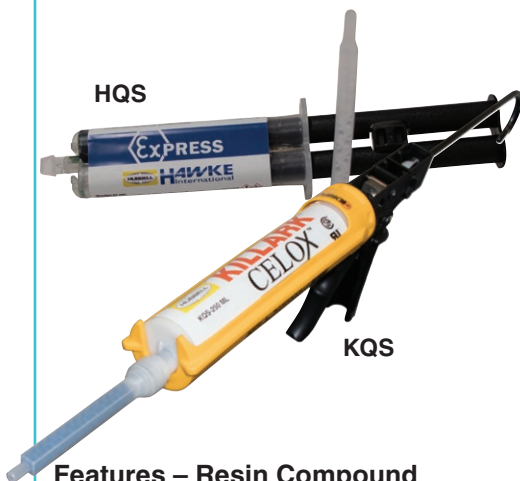
- Used exclusively as a barrier gland for armored and unarmored cable
- New patented disc brush dam allows for Hawke EXpress and CELOX resin as a barrier solution
- Uses a stainless steel grounding spring for reusability
- Red anodized backnut to indicate it is for hazardous explosive areas
- Enhanced middle nut design to allow for better ingress protection and non-exposed threads
- Hand putty comes standard for barrier solution
- Liquid resin barrier solution is sold separately. For more information, see feature page about the resin.

Materials

- Body – Copper-free aluminum
- O-ring – silicone
- Sealing Clamp – nylon
- Sealing Grommet – silicone
- Disc brush – steel channel/nylon fibers
- Disc Grommet – neoprene
- Spring – stainless steel



FITTINGS MC2X SERIES



Features – Resin Compound

- Two-part epoxy resin that is self-mixed through a static nozzle
- Easy to use syringe and caulk style dispensers that eliminates any hand mixing and prepping
- Eliminates excess waste as each tube is reusable and comes with additional nozzles
- Fast curing formula that allows for same day installation and energization of equipment
- Various resin sizes available for multiple gland installs



SEALING METHOD	
CATALOG NUMBER	SIZE PACKAGE
HQS-014 ML	14ml (.47oz)
HQS-024 ML	24ml (81oz)
HQS-050 ML	50ml (1.70oz)
KQS-250 ML	250ml (8.45oz)

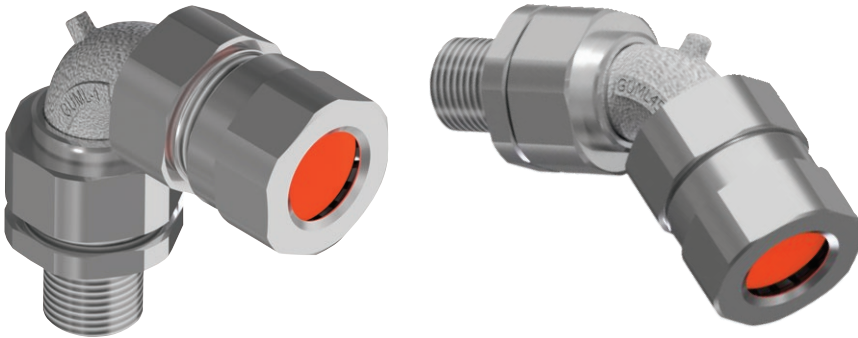
SUITABLE ARMORED & UNARMORED CABLE TYPES	
AC-	AC90, ACWU90, AC90-HL, ACWU90-HL, ACG90, ACGWU90
MC-	MCC, MCI, MCI-A, MC-HL
RA-	RA90, RA90-HL
TECK-	TECK90, TECK90-HL
TRAY-	TC, TC-ER, TC-ER-HL, PLTC, PLTC-ER, ITC, ITC-ER, MV, TYPE P

CATALOG NUMBER	ENTRY THREAD SIZE (NPT)	CABLE ACCEPTANCE DETAILS						MAX LENGTH 'D'	NPT LENGTH 'E'	HEXAGON DIMENSIONS	
		MAX NUMBER OF CORES	THROUGH DIAMETER 'A'	ARMOR DIAMETER 'B'		DIAMETER 'C'				ACROSS FLATS	ACROSS CORNERS
				MIN.	MAX.	MIN.	MAX.				
MC2X1B	1/2"	6	0.39" (9.9)	0.43" (10.9)	0.55" (14.0)	0.51" (13.0)	0.63" (16.0)	2.6" (66)	0.83" (21.1)	1.06" (26.9)	1.12" (28.4)
MC2X1C	1/2"	10	0.48" (12.2)	0.52" (13.2)	0.74" (18.8)	0.60" (15.2)	0.79" (20)	2.9" (73.6)	0.83" (21.1)	1.42" (36)	1.50" (38.1)
MC2X2	3/4"	21	0.71" (18.1)	0.65" (16.5)	0.95" (24.1)	0.73" (18.5)	1.00" (25.4)	3.1" (78.7)	0.84" (21.3)	1.61" (41)	1.69" (42.9)
MC2X3	1"	42	0.96" (26.4)	0.89" (22.6)	1.23" (31.2)	0.97" (24.6)	1.31" (33.3)	3.2" (81.3)	1.03" (26.2)	1.97" (50)	2.13" (54.1)
MC2X4	1-1/4"	73	1.16" (29.5)	1.15" (29.5)	1.48" (37.6)	1.23" (31.2)	1.56" (39.6)	3.6" (91.4)	1.05" (26.7)	2.36" (60)	2.50" (63.5)
MC2X5	1-1/2"	80	1.35" (34.3)	1.39" (35.3)	1.62" (41.1)	1.47" (37.3)	1.78" (45.2)	4.5" (114.3)	1.07" (27.2)	2.95" (75)	3.06" (77.8)
MC2X6	2"	80	1.62" (41.1)	1.39" (35.3)	1.89" (48.0)	1.47" (37.3)	2.04" (51.8)	4.5" (114.3)	1.10" (27.9)	2.95" (75)	3.06" (77.8)
MC2X7	2-1/2"	100	2.09" (53.1)	1.85" (47.0)	2.36" (59.9)	1.93" (49.0)	2.51" (63.8)	4.7" (119.4)	1.62" (41.1)	3.54" (90)	3.65" (92.8)
MC2X8	3"	120	2.52" (64.0)	2.19" (55.6)	2.81" (71.4)	2.27" (57.7)	3.01" (76.5)	4.8" (121.9)	1.68" (42.7)	4.06" (103)	4.22" (107.2)
MC2X9	3-1/2"	120	3.01" (76.5)	2.69" (68.3)	3.28" (83.3)	2.77" (70.4)	3.46" (87.9)	4.8" (121.9)	1.73" (43.9)	4.53" (115)	4.69" (119.2)
MC2X0	4"	120	3.50" (88.9)	3.28" (83.3)	3.82" (97.0)	3.46" (87.9)	4.07" (103.4)	5.1" (129.5)	1.78" (45.2)	5.12" (130)	5.33" (135.3)

Cable armor diameter and cable jacket diameter refer to the dimensions across the crest.



ALUMINUM CABLE CONNECTORS



Class II, Div. 1, Groups E, F, G
Class III,
Zone 20, IP66,
Types 3, 4X
Suitable for use in Class I, Div. 2 locations
when installed according to NEC
Articles 501.10
Ta -50°C to +60°C



FEATURES-SPECIFICATIONS

Features

- 360° armor grounding spring is reusable
- Provides sealing backnut plus inner O-ring seal to prevent moisture ingress to the cable armor and enclosure
- Copper-free aluminum construction for harsh, corrosive and hazardous duty
- Patented combination union elbow that allows proper 360° alignment where space is limited
- Compact 45° and 90° bends for optimized wiring configurations
- Armor is terminated prior to bend allowing for minimal bending radius

Materials

- Body: Copper-free aluminum (less than 1/10 of 1%)
- Backnut Seal: Thermoplastic elastomer (silicone)
- Backnut Clamp: Nylon
- Inner and Outer O-rings: Nitrile

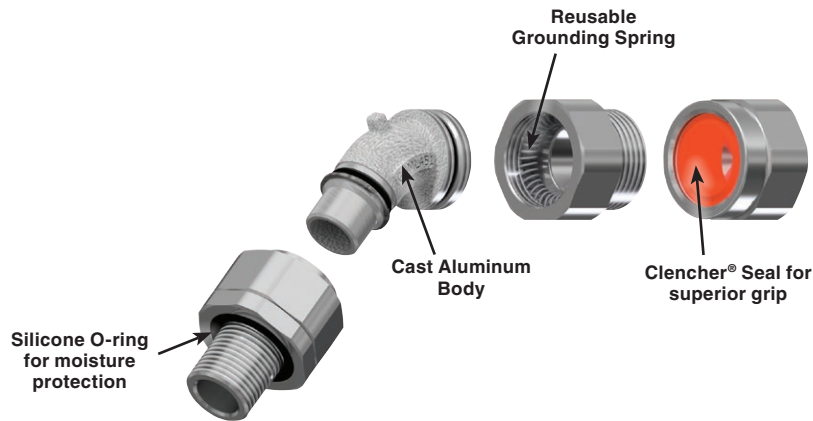
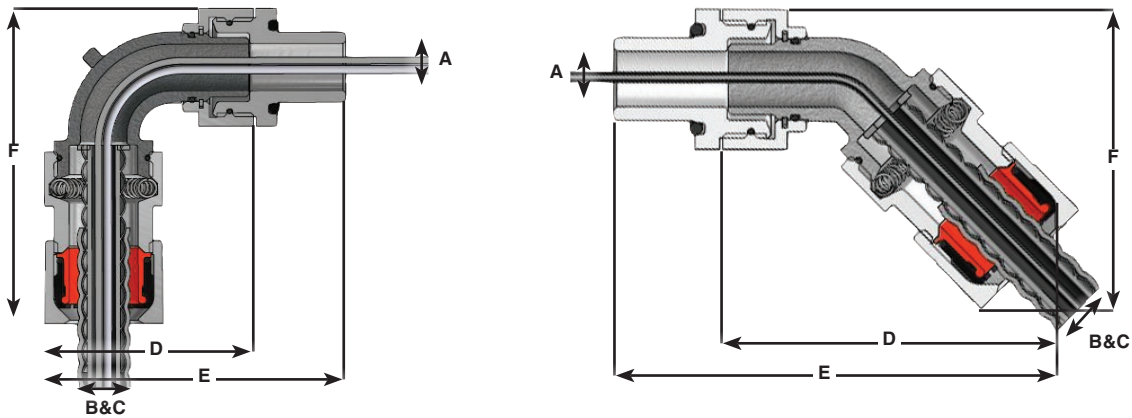


FITTINGS

MC 45°/90° SERIES

ALUMINUM CABLE CONNECTORS

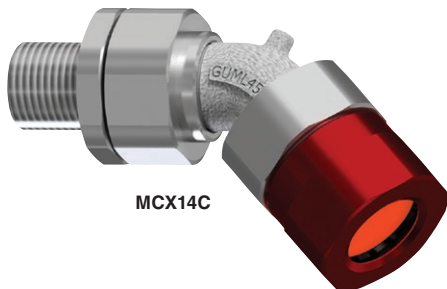
CATALOG NUMBER	ENTRY THREAD SIZE (NPT)	BEND	CABLE ACCEPTANCE DETAILS						MAX LENGTH 'D'	MAX LENGTH 'E'	MAX LENGTH 'F'
			MAX NUMBER OF CORES	THROUGH DIAMETER 'A'	ARMOR DIAMETER 'B'		DIAMETER 'C'				
					MIN.	MAX.	MIN.	MAX.			
MC14C	1/2"	45°	10	.48" (12.2)	.52" (13.2)	.74" (18.8)	.60" (15.2)	.82" (20.8)	3.25" (82.6)	4.35" (110.5)	2.05" (52)
MC24C	3/4"	45°	21	.71" (18)	.65" (16.5)	.95" (24.1)	.73" (18.5)	1.03" (26.2)	3.43" (87.1)	4.55" (115.6)	2.19" (55.6)
MC19C	1/2"	90°	10	.48" (12.2)	.52" (13.2)	.74" (18.8)	.60" (15.2)	.82" (20.8)	2.51" (63.8)	3.62" (91.9)	3.51" (89.2)
MC29	3/4"	90°	21	.71" (18)	.65" (16.5)	.95" (24.1)	.73" (18.5)	1.03" (26.2)	2.61" (66.3)	3.73" (94.7)	3.60" (91.4)



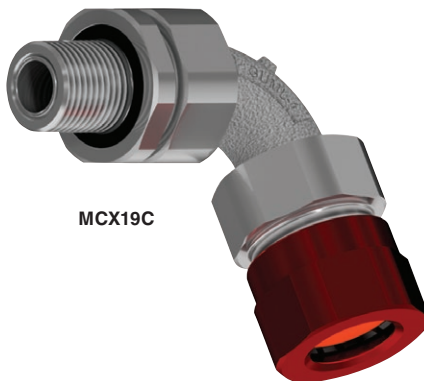
SUITABLE ARMORED & UNARMORED CABLE TYPES	
AC-	AC90, ACWU90, AC90-HL, ACWU90-HL, ACG90, ACGWU90
MC-	MCC, MCI, MCI-A, MC-HL
RA-	RA90, RA90-HL
TECK-	TECK90, TECK90-HL
TRAY-	TC, TC-ER, TC-ER-HL, PLTC, PLTC-ER, ITC, ITC-ER, MV, TYPE P



ALUMINUM CABLE CONNECTORS



MCX14C



MCX19C

Class I, Div. 1, Groups A, B, C, D
 Class II, Div. 1, Groups E, F, G
 Class III,
 CL. I Zone 1 GR. IIC. Zone 20
 Types 3, 4X
 Ta -50°C to +60°C



FEATURES-SPECIFICATIONS

Features

- 360° armor grounding spring is reusable
- Provides a barrier seal between the individual insulated cores within the cable
- Assembly of the cable gland compresses and distributes the compound evenly to create a barrier seal at the point of entry into the enclosure.
- Provides a cable retention and low smoke fume, zero halogen seal onto the cables outer sheath
- Copper-free aluminum construction for harsh, corrosive and hazardous areas
- Patented combination union elbow that allows proper 360° alignment where space is limited
- Compact 45° and 90° bends for optimized wiring configurations
- Armor is terminated prior to bend allowing for minimal bending radius
- Backnut is anodized RED to indicate HAZARDOUS area product

Materials

- Body: Copper-free aluminum (less than 1/10 of 1%)
- Backnut Seal: Thermoplastic elastomer (silicone)
- Backnut Clamp: Nylon
- Inner and Outer O-rings: Nitrile

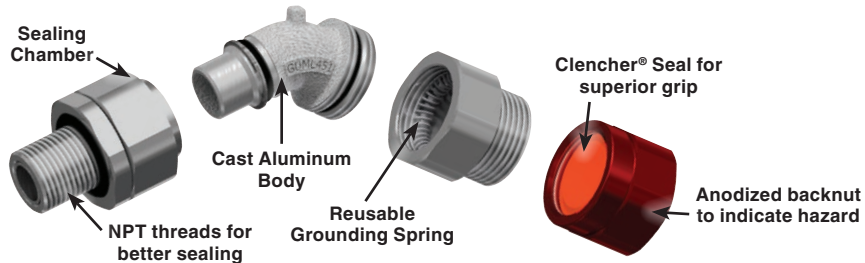
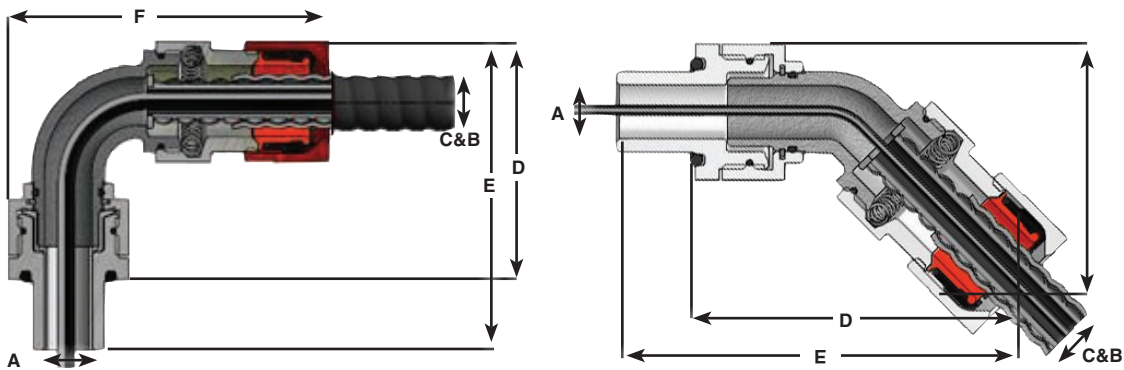


FITTINGS

MCX 45°/90° SERIES

ALUMINUM CABLE CONNECTORS

CATALOG #	ENTRY THREAD SIZE (NPT)	BEND	CABLE ACCEPTANCE DETAILS						MAX LENGTH 'D'	MAX LENGTH 'E'	MAX LENGTH 'F'
			MAX NUMBER OF CORES	THROUGH DIAMETER 'A'	ARMOR DIAMETER 'B'		DIAMETER 'C'				
					MIN.	MAX.	MIN.	MAX.			
MCX14C	1/2"	45°	10	.48" (12.2)	.52" (13.2)	.74" (18.8)	.60" (15.2)	.82" (20.8)	3.25" (82.6)	4.35" (110.5)	2.05" (52)
MCX24	3/4"	45°	21	.71" (18)	.65" (16.5)	.95" (24.1)	.73" (18.5)	1.03" (26.2)	3.43" (87.1)	4.55" (115.6)	2.19" (55.6)
MCX19C	1/2"	90°	10	.48" (12.2)	.52" (13.2)	.74" (18.8)	.60" (15.2)	.82" (20.8)	2.51" (63.8)	3.62" (91.9)	3.51" (89.2)
MCX29	3/4"	90°	21	.71" (18)	.65" (16.5)	.95" (24.1)	.73" (18.5)	1.03" (26.2)	2.61" (66.3)	3.73" (94.7)	3.60" (91.4)



SUITABLE ARMORED & UNARMORED CABLE TYPES	
AC-	AC90, ACWU90, AC90-HL, ACWU90-HL, ACG90, ACGWU90
MC-	MCC, MCI, MCI-A, MC-HL
RA-	RA90, RA90-HL
TECK-	TECK90, TECK90-HL
TRAY-	TC, TC-ER, TC-ER-HL, PLTC, PLTC-ER, ITC, ITC-ER, MV, TYPE P



What is a cable gland?

A Cable Gland provides strain relief and can include a provision for making a connection to the armor, braid, lead or aluminum sheath of the cable.

For unarmored and braided cables, this strain relief is provided by the seal only. For armored cables the armor and clamp can also provide pull out resistance. In hazardous areas, cable glands are also used to maintain the protection concept of the equipment or enclosure into which they are being terminated.

Hawke and Killark have been in the connector business for over 70 years. With the trust and reputation of Hawke's quality and engineering, Killark and Hawke have combined design and innovation input to develop the best-in-class glands in today's market. From markets ranging from the harshest environment to light industrial, Killark and Hawke have the gland to meet any application needs.





The First Globally Certified, Fully Inspectable, Elastomeric Compound Pot

Why a silicone compound pot?

At Hawke, we prioritize complete inspectability of all seals and explosion protection features within our products. The search for inspectability pushed us toward the unique transparent silicone compound pot in which the compound is visible both as it is being installed and once installation is complete.

How does it work?

A traditional metallic compound pot uses a flamepath to dissipate the energy of an ignition. The flamepath is a tightly controlled clearance between the pot and the gland housing. If this clearance is too large there is a risk of ignition.

If this clearance is too small the pot won't fit into the gland. Any scratches or damage renders the gland useless. Our silicone pot works by being compressed when installed so the flamepath gap is always zero.

How was the silicone compound pot tested and certified?

The compound pot and resin have been certified in accordance with ATEX/IECEX 60079 and UL2225. They have been through rigorous testing processes including and not limited to; chemical exposure, hydrostatic pressure, thermal aging and explosion testing.

What are the benefits of the silicone compound pot over a brass compound pot?

- When terminating the barrier gland the resin is visible to the installer, so the process is much more controlled and visible. Any issues such as voids or underfilling can be immediately addressed before the compound cures.
- The resin is visible through the compound pot and as such can be inspected without the product being destroyed. Traditional metallic compound pots must be cut off to inspect, discarded and then remade with a new gland.
- If the flamepath surface of a metallic pot is damaged, the whole assembly must be cut off the cable and replaced. If damage occurs to the silicone compound pot, it can be replaced.



The Difference is Clear

100% visibility.
Inspect installed glands with zero destruction.

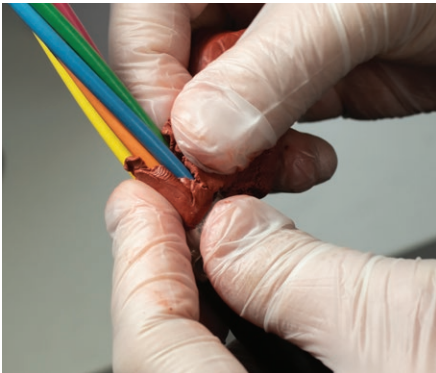




Sealing Methods

Our Glands now offer a quick liquid resin as a solution to create a barrier dam but still allow the traditional putty to be used

TRADITIONAL



NEW



VS



Cable Gland **Tightening Guide**

Whilst Hawke International goes to great lengths to ensure products are designed to be as simple to install, inspect and maintain as is possible, differing levels of competency, training and understanding can lead to glands being incorrectly installed. With hazardous area products, any poor installation issues can not only lead to expensive equipment failure, but also potential explosion risks and associated risk to life.

To help address issues with the overtightening of cable glands and the resultant damage to cables and seals, Hawke International has developed the patented **INBUILT TIGHTENING GUIDE**.

Without the need for fiddly measuring systems, the guide provides a permanent visual indication of the gland tightness through installation, inspection and maintenance.

How it works

The gland is permanently marked with various lines/numbers indicating the correct tightening level related to the cable diameter. Following the relevant cable gland Installation Instructions, the back seal should be tightened until a seal is formed on the cable outer sheath and then tightened one further turn.



Step 1
Follow cable gland installation instructions until final stage – tightening of rear seal



Step 2
Tighten backnut until a seal is formed onto the cable, then tighten one further turn



Step 3
The backnut should be level with the marking guide corresponding to its diameter – this can be visually inspected and adjusted as necessary

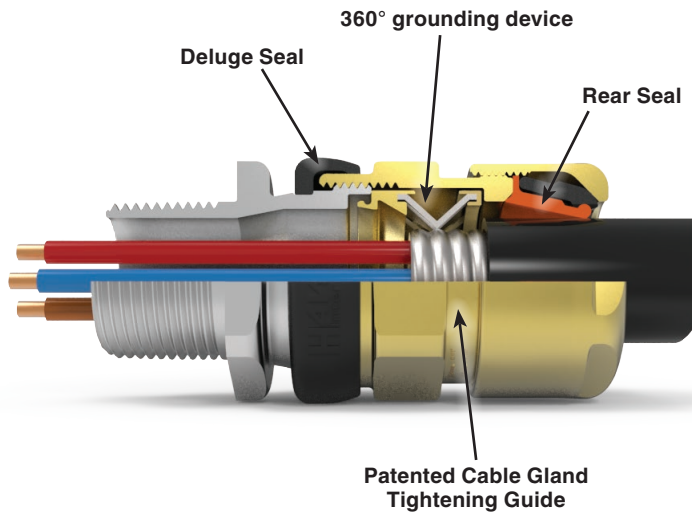
ALTERNATIVE REVERSIBLE ARMOUR CLAMPING RING SIZE SELECTION		
SIZE REF	ORIENTATION 1	ORIENTATION 2
B	0.0354" - 0.0492"	0.0197" - 0.0354"
C	0.0472" - 0.063"	0.0236" - 0.0472"
C2	0.0472" - 0.063"	0.0236" - 0.0472"
D	0.0571" - 0.0709"	0.0394" - 0.0571"
E	0.0571" - 0.0709"	0.0394" - 0.0571"
F	0.0571" - 0.0709"	0.0394" - 0.0571"

ORDERING INFORMATION			
Format for ordering is as follows: Alternative Clamping Ring (AR), add suffix AR to ordering information			
CABLE GLAND TYPE	SIZE	THREAD	MATERIAL
753	C	M23	Brass
753	C	1" NPT	Stainless Steel

Example Code: 753 C M32 EP Stainless Steel



INCREASED SAFETY EXE FOR ZONES NORTH AMERICAN CABLE GLAND



Technical Data

Ingress Protection: IP66, IP67, IP68* (30 metres for 7 days; special conditions may apply), IP69 to IEC/EN 60529 and TYPE 4X

Deluge Protection: to DTS01
 Ta -50°C to +80°C

NEC / CEC Certifications

Class Class I, Zone I, AEx e IIC Gb;

Zone 21, AEx tb IIIC Db

Ex eb IIC Gb; Ex tb IIIC Db

Cable Types: MC, MC-HL

UL E84940

Construction & Test Standards: UL2225, UL514B, CSA C22.2 NO. 18.3-12, CSA C22.2 60079-0, CSA C22.2 60079-1, CSA 22.2 60079-7 and CSA 22.2 60079-31



International Approvals

FEATURES-SPECIFICATIONS

The NEC® Compliant 701 gland certified Exe for zones is suitable for use with continuous corrugated Aluminum Metal Clad (MC-HL; MC) cable. Features a fully inspectable 360° grounding device which remains in contact with the cable when disassembled for inspection.

Features

- **INSPECTABLE DELUGE SEAL** – Offering IP66, IP67, IP68 & IP69 Ingress Protection
- Fully inspectable **360° GROUNDING DEVICE** which remains in contact with the cable when disassembled for inspection.
- **PATENTED CABLE GLAND TIGHTENING GUIDE** – Helps prevent damage caused by over tightening
- **UNIQUE REAR SEAL** – Offering ultimate sealing over an extremely wide cable acceptance range.



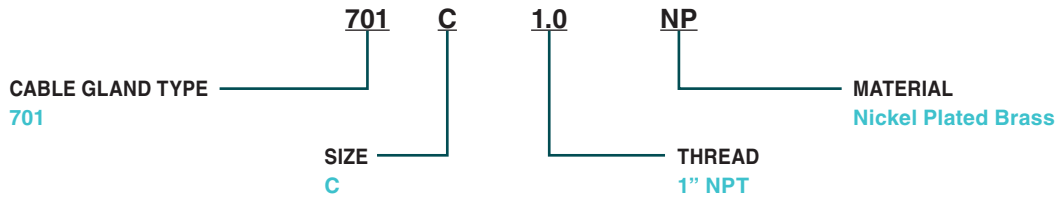
FITTINGS

701 - CABLE GLAND

CATALOG LOGIC / ORDERING INFORMATION

CATALOG LOGIC

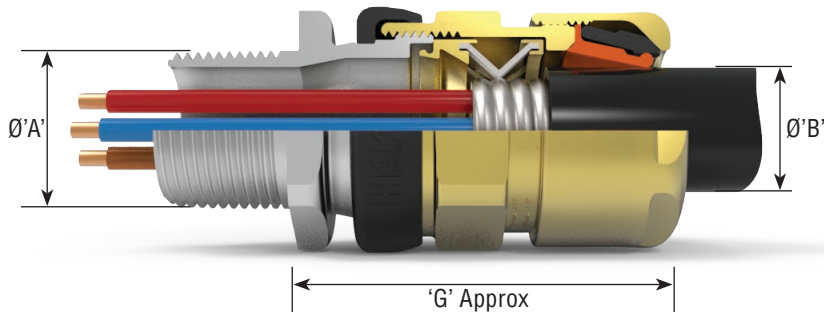
Format for ordering is as follows:



Order Example: 701 C 1.0 NP

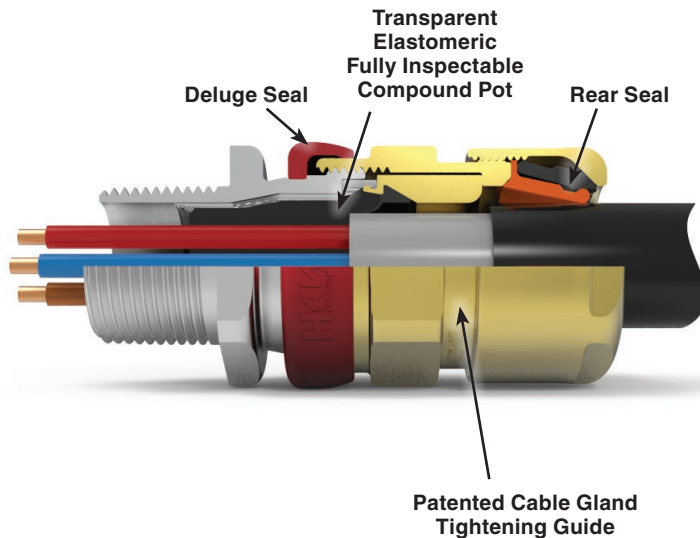
CABLE GLAND SELECTION TABLE									
SIZE REF.	ENTRY THREAD SIZE 'A'		CABLE ACCEPTANCE DETAILS				'G'	HEXAGON DIMENSIONS	
	METRIC	NPT* STANDARD	ARMOUR JACKET 'E'		OUTER JACKET 'B'			ACROSS FLATS	ACROSS CORNERS
			MIN	MAX	MIN	MAX			
A	M20	½" or ¾"	0.41"	0.64"	0.49"	0.81"	2.5"	1.18"	1.28"
B	M25	¾" or 1"	0.55"	0.93"	0.67"	1.02"	2.59"	1.42"	1.56"
C	M32	1" or 1¼"	0.85"	1.23"	0.87"	1.30"	2.93"	1.81"	1.99"
C2	M40	1¼" or 1½"	1.17"	1.59"	1.10"	1.61"	3.03"	2.17"	2.39"
D	M50	2" or 1½"	1.37"	1.96"	1.42"	2.07"	3.90"	2.56"	2.79"
E	M63	2½" or 2"	1.81"	2.55"	1.81"	2.57"	3.66"	3.15"	3.46"
F	M75	3" or 2½"	2.37"	2.98"	2.24"	3.07"	3.93"	3.74"	4.09"

Metric entry threads are 1.5mm pitch as standard, 15mm length of thread.
 Oversize glands are available for Wet Locations. Please contact Hawke for more details.





INCREASED SAFETY EXE FOR ZONES NORTH AMERICAN CABLE GLAND



Technical Data

Ingress Protection: IP66, IP67, IP68* (30 metres for 7 days; special conditions may apply), IP69 to IEC/EN 60529 and NEMA 4X

Deluge Protection: to DTS01
Ta -50°C to +80°C

NEC / CEC Certifications

Class I Div 1 ABCD; Class II Div 1 EFG; Class III
Class I Div 2 ABCD, Class II Div 2 FG and Class III Div 2 Class I, Zone 1, AEx d IIC; AEx e IIC; Zone 21, AEx tb IIC
Class I Div 1 ABCD; Class II Div 1 EFG; Class III
Class I Div 2 ABCD, Class II Div 2 FG and Class III Div 2 Ex db IIC Gb; Ex eb IIC Gb; Ex tb IIC Dc
Cable Types: TC-ER-HL, ITC-HL, TC, TC-ER, PLTC, PLTC-ER, ITC, ITC-ER
UL US E84940
Construction & Test Standards: UL2225, UL514B, CSA C22.2 NO. 18.3-12, CSA 22.2 60079-0, CSA 22.2 60079-1, CSA 22.2 60079-7 and CSA 22.2 60079-31

ATEX/IECEX Certifications

ATEX/IECEX Protection Class: Ex II 2GD
Ex db IIC Gb; Ex eb IIC Gb; Ex tb IIC Db
ATEX Certificate No: CML 18ATEX1268X
IECEX Certificate No: CML 18.0131X
Construction & Test Standards: IEC/EN 60079-0, IEC/EN 60079-1, IEC/EN 60079-7 and IEC/EN 60079-31
Additional Certifications:
EAC: TC RU C-GB HA91 B 0046 19
Inmetro: IEx 14.0272X
PESO: P450038



International Approvals

FEATURES-SPECIFICATIONS

The NEC® Compliant 710 dual certified Exe/Exd cable gland is suitable for use with the following cable types: TC-ER-HL, TC-ER, PLTC, PLTC-ER, ITC, ITC-HL & ITC-ER (see technical data for more information). The gland provides a barrier seal around the individual cores within the cable and prevents entry of the products of an explosion into the cable. The gland features the worlds only NEC® compliant transparent elastomeric fully inspectable compound chamber.

Features

- **INSPECTABLE DELUGE SEAL** – Offering IP66, IP67, IP68 & IP69 Ingress Protection
- **TRANSPARENT ELASTOMERIC FULLY INSPECTABLE COMPOUND POT** – compatible with both injectable resin and 2 part compound
- **PATENTED CABLE GLAND TIGHTENING GUIDE** – Helps prevent damage caused by over tightening
- **UNIQUE REAR SEAL** – Offering ultimate sealing over an extremely wide cable acceptance range.



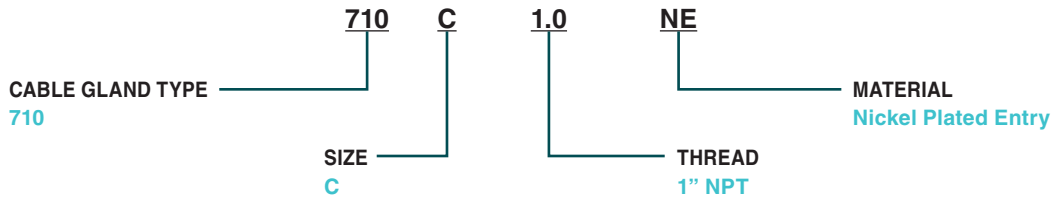
FITTINGS

710 - CABLE GLAND

CATALOG LOGIC / ORDERING INFORMATION

CATALOG LOGIC

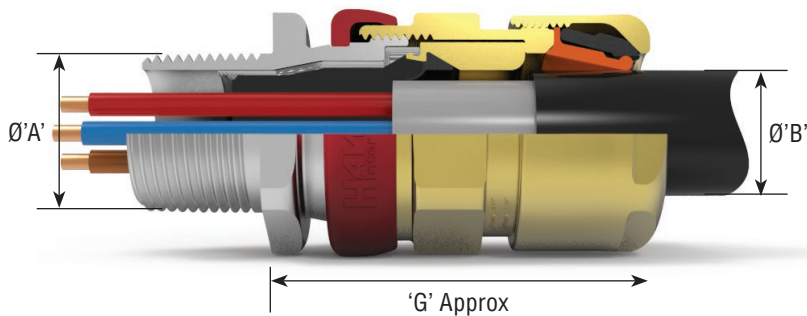
Format for ordering is as follows:



Order Example: 710 C 1.0 NE

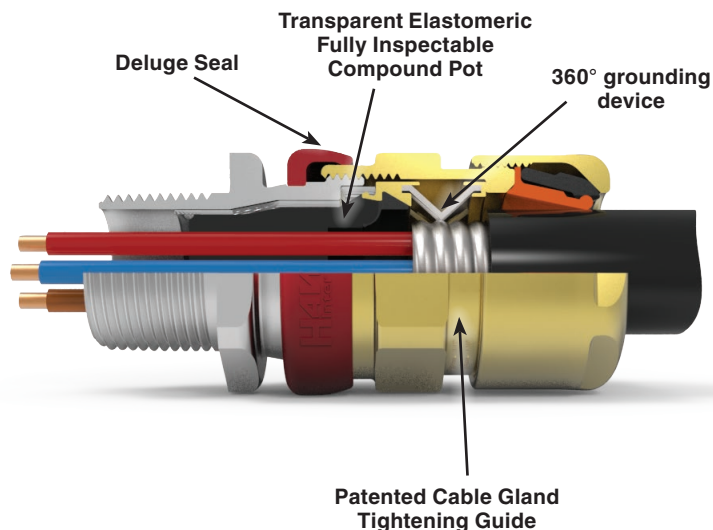
CABLE GLAND SELECTION TABLE											
SIZE REF.	ENTRY THREAD SIZE 'A'		CABLE ACCEPTANCE DETAILS						'G'	HEXAGON DIMENSIONS	
	METRIC	NPT1 STANDARD	INNER JACKET CORES 'ØA'				OUTER JACKET 'ØB'			ACROSS FLATS	CORNERS ACROSS
			MAX OVER CORES 'D'	MIN INNER JACKET 'E'	MAX INNER JACKET 'E'	MAX NO OF CORES	MIN	MAX			
Os	M20	½"	0.31"	0.14"	0.32"	12	0.22"	0.47"	2.30"	0.94"	1.04"
O	M20	½"	0.35"	0.26"	0.46"	12	0.37"	0.63"	2.30"	0.94"	1.04"
A	M20	¾" or ½"	0.43"	0.33"	0.55"	15	0.49"	0.81"	2.39"	1.18"	1.28"
B	M25	1" or ¾"	0.63"	0.44"	0.78"	30	0.66"	1.02"	2.65"	1.42"	1.56"
C	M32	1¼" or 1"	0.86"	0.69"	1.03"	42	0.87"	1.30"	2.88"	1.81"	1.99"
C2	M40	1½" or 1¼"	1.05"	0.91"	1.27"	60	1.10"	1.61"	3.08"	2.17"	2.39"
D	M50	2"	1.48"	1.14"	1.74"	80	1.42"	2.07"	3.84"	2.56"	2.79"
E	M63	2½"	1.93"	1.57"	2.20"	100	1.81"	2.57"	3.68"	3.15"	3.46"
F	M75	3"	2.35"	1.99"	2.68"	120	2.24"	3.07"	4.11"	3.74"	4.09"

Os-F size metric entry threads are 1.5mm pitch as standard, 15mm length of thread.





EXPLOSION PROOF, IECEX AND ATEX APPROVED FLAMEPROOF EXD,
INCREASED SAFETY EXE (DUAL MARKED UL & ATEX AS STANDARD)



FEATURES-SPECIFICATIONS

The NEC® Compliant 711 dual certified Exe/Exd gland is suitable for use with continuous corrugated Aluminum Metal Clad (MC-HL) cable and provides a barrier seal around the individual cores within the cable and prevents entry of the products of an explosion into the cable.

The gland features the worlds only NEC® compliant transparent elastomeric fully inspectable compound chamber

Features

- **INSPECTABLE DELUGE SEAL** – Offering IP66, IP67, IP68 & IP69 Ingress Protection
- **TRANSPARENT ELASTOMERIC FULLY INSPECTABLE COMPOUND POT** – compatible with both injectable resin and 2 part compound
- Fully inspectable **360° GROUNDING DEVICE** which remains in contact with the cable when disassembled for inspection.
- **PATENTED CABLE GLAND TIGHTENING GUIDE** – Helps prevent damage caused by over tightening
- **UNIQUE REAR SEAL** – Offering ultimate sealing over an extremely wide cable acceptance range.

Technical Data

Ingress Protection: IP66, IP67, IP68* (30 metres for 7 days; special conditions may apply), IP69 to IEC/EN 60529 and TYPE 4X

Deluge Protection: to DTS01
Ta -50°C to +80°C

NEC / CEC Certifications

Class I Div 1 ABCD;

Class II Div 1 EFG; Class III

Class I Div 2 ABCD, Class II Div 2 FG and Class III Div 2

Class I, Zone 1, AEx d IIC; AEx e IIC; Zone 21, AEx tb IIIC

Ex db IIC Gb; Ex eb IIC Gb; Ex tb IIIC Db

Cable Types: ITC-HL, MC, MC-HL

UL^{us} E84940

Construction & Test Standards: UL2225, UL514B, CSA C22.2 NO. 18.3-12, CSA 22.2 60079-0, CSA 22.2 60079-1, CSA 22.2 60079-7 and CSA 22.2 60079-31

ATEX/IECEX Certifications

ATEX/IECEX Protection Class: Ex II 2GD

Ex db IIC Gb; Ex eb IIC Gb; Ex tb IIIC Db

ATEX Certificate No: CML 18ATEX1268X

IECEX Certificate No: CML 18.0131X

Construction & Test Standards:

IEC/EN 60079-0, IEC/EN 60079-1,

IEC/EN 60079-7 and IEC/EN 60079-31

Additional Certifications:

EAC: TC RU C-GB HA91 B 0046 19

Inmetro: IEx 14.0272X

PESO: P450038



International Approvals



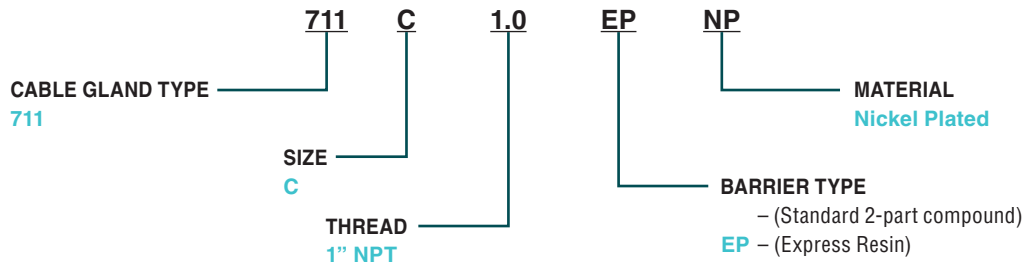
FITTINGS

711 - CABLE GLAND

CATALOG LOGIC / ORDERING INFORMATION

CATALOG LOGIC

Format for ordering is as follows:

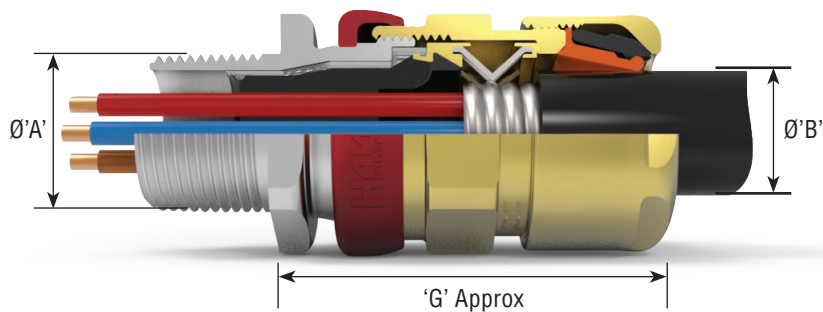


Order Example: 711 C 1.0 EP NP

Two part sealing compound and assembly instructions are supplied with the cable gland

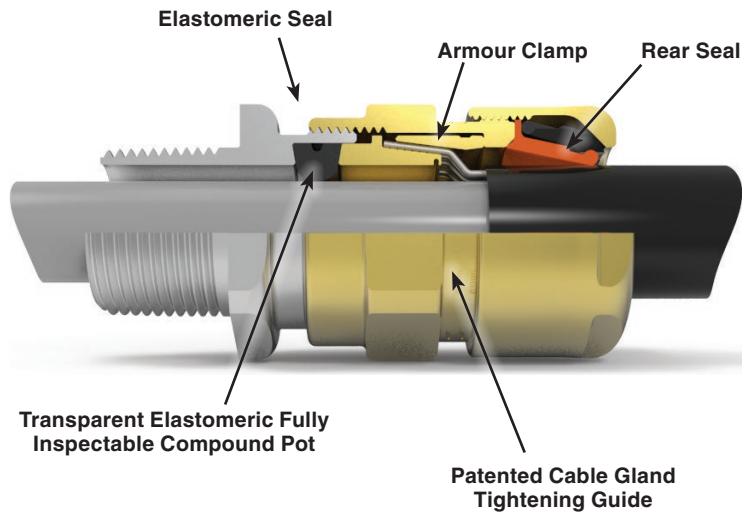
CABLE GLAND SELECTION TABLE											
SIZE REF.	ENTRY THREAD SIZE 'A'		CABLE ACCEPTANCE DETAILS						'G'	HEXAGON DIMENSIONS	
	METRIC	NPT* STANDARD	INNER JACKET/CORES 'ØA'			OUTER JACKET 'ØB'		ACROSS FLATS		ACROSS CORNERS	
			MAX OVER CORES	ARMOUR JACKET		MAX NO OF CORES	MIN				MAX
				MIN	MAX						
A	M20	¾" or ½"	0.43"	0.41"	0.64"	15	0.49"	0.81"	2.5"	1.18"	1.28"
B	M25	1" or ¾"	0.63"	0.55"	0.93"	30	0.67"	1.02"	2.59"	1.42"	1.56"
C	M32	1¼" or 1"	0.86"	0.85"	1.23"	42	0.87"	1.30"	2.93"	1.81"	1.99"
C2	M40	1½" or 1¼"	1.05"	1.17"	1.59"	60	1.10"	1.61"	3.03"	2.17"	2.39"
D	M50	2"	1.48"	1.37"	1.96"	80	1.42"	2.07"	3.9"	2.56"	2.79"
E	M63	2½"	1.93"	1.81"	2.55"	100	1.81"	2.57"	3.66"	3.15"	3.46"
F	M75	3"	2.35"	2.37"	2.98"	120	2.24"	3.07"	3.93"	3.74"	4.09"

A - F size metric entry threads are 1.5mm pitch as standard, 15mm length of thread.





NORTH AMERICAN GENERAL PURPOSE

**Technical Data**

**Area Classification: UL listed for use
Wet Locations**

UL E218332

**Construction & Test Standards: UL 514B
Ingress Protection: IP66, IP67, IP68 (30
metres for 7 days) to IEC/EN 60529 and
TYPE 4X**

**Deluge Protection: DTS01
Ta -50°C to +60°C**



International Approvals

FEATURES-SPECIFICATIONS

The 153/X Cable Gland is general purpose cable gland for use with wire braid, steel wire armour, elastomer and plastic insulated cables. The gland provides an elastomeric seal on the cable inner sheath, and a low smoke, zero halogen IP and retention seal onto the cable outer sheath.

Features

- **ELASTOMERIC SEAL** on cable inner sheath
- **FULLY INSPECTABLE ARMOUR CLAMP**
- **PATENTED CABLE GLAND TIGHTENING GUIDE** – Helps prevent damage caused by over tightening
- **UNIQUE REAR SEAL** – Offering ultimate sealing over an extremely wide cable acceptance range.

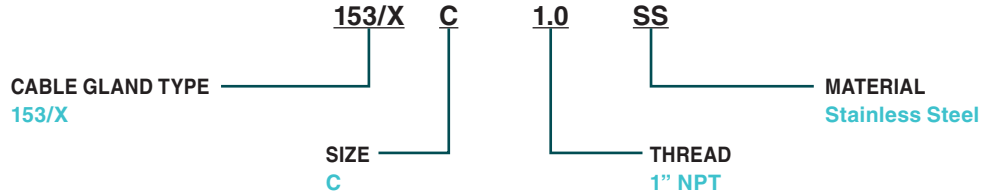


153 X - CABLE GLAND

CATALOG LOGIC / ORDERING INFORMATION

CATALOG LOGIC

Format for ordering is as follows:



Order Example: 153/X C 1.0 SS

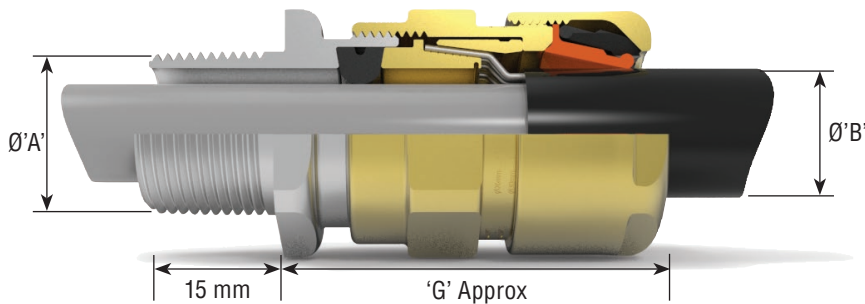
CABLE GLAND SELECTION TABLE													
SIZE REF.	ENTRY THREAD SIZE 'A'		CABLE ACCEPTANCE DETAILS								'G'	HEXAGON DIMS	
	METRIC	NPT* STANDARD OR OPTION	STANDARD SEAL		ALTERNATIVE SEAL (S)		OUTER JACKET 'B'		ARMOUR / BRAID 'C'			ACROSS FLATS	ACROSS CORNERS
			MIN	MAX	MIN	MAX	MIN	MAX	ORIENTATION 1	ORIENTATION 2			
Os	M202	½"	0.13"	0.31"	—	—	0.22"	0.47"	0.0315"/0.0492"	0"/0.0315"	2.05"	0.94"	1.04"
O	M202	½"	0.26"	0.47"	—	—	0.41"	0.63"	0.0315"/0.0492"	0"/0.0315"	2.05"	0.94"	1.04"
A	M20	¾" or ½"	0.39"	0.58"	0.35"	0.53"	0.50"	0.81"	0.0315"/0.0492"	0"/0.0315"	2.09"	1.18"	1.28"
B	M25	1" or ¾"	0.51"	0.79"	0.37"	0.61"	0.67"	1.02"	0.0492"/0.063"	0"/0.0276"	2.34"	1.42"	1.56"
C	M32	1¼" or 1"	0.77"	1.04"	0.61"	0.83"	0.98"	1.30"	0.063"/0.0787"	0"/0.0276"	2.52"	1.81"	1.99"
C2	M40	1½" or 1¼"	0.98"	1.28"	0.87"	1.10"	1.30"	1.61"	0.063"/0.0787"	0"/0.0276"	2.69"	2.17"	2.39"
D	M50	2" or 1½"	1.24"	1.75"/1.66" ¹	1.08"	1.37"	1.56"	2.07"	0.0709"/0.0984"	0"/0.0394"	3.11"	2.56"	2.79"
E	M63	2½" or 2"	1.67"	2.22"/2.14" ¹	1.54"	1.83"	2.05"	2.57"	0.0709"/0.0984"	0"/0.0394"	3.09"	3.15"	3.46"
F	M75	3" or 2½"	2.15"	2.69"/2.57" ¹	1.95"	2.3"	2.52"	3.07"	0.0709"/0.0984"	0"/0.0394"	3.30"	3.74"	4.09"
H	M90	3" or 3½"	2.64"	3.06"	—	—	2.96"	3.52"	0.0787"/0.1378"	0"/0.0394"	3.76"	4.53"	5.12"

Os-F size metric entry threads are 1.5mm pitch as standard, 15mm length of thread.

For H size glands, a 2mm pitch is supplied as standard, 20mm length of thread (1.5mm pitch with 15mm length of thread can be supplied) please specify when ordering

1 Smaller value is applicable when selecting reduced NPT entry option.

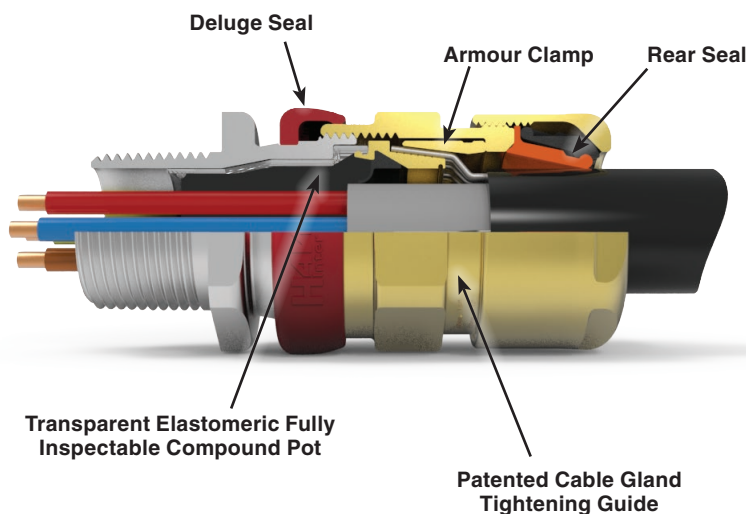
2 Sizes Os and O are available with an M16 thread size. For O size with M16 thread, the maximum cable inner jacket diameter is 0.43"



ALTERNATIVE REVERSIBLE ARMOUR CLAMPING RING SIZE SELECTION		
SIZE REF	ORIENTATION 1	ORIENTATION 2
B	0.0354" - 0.0492"	0.0197" - 0.0354"
C	0.0472" - 0.063"	0.0236" - 0.0472"
C2	0.0472" - 0.063"	0.0236" - 0.0472"
D	0.0571" - 0.0709"	0.0394" - 0.0571"
E	0.0571" - 0.0709"	0.0394" - 0.0571"
F	0.0571" - 0.0709"	0.0394" - 0.0571"



NORTH AMERICAN
EXPLOSION PROOF, IECEX AND ATEX APPROVED FLAMEPROOF EXD,
INCREASED SAFETY EXE (DUAL MARKED UL & ATEX AS STANDARD)



Technical Data

Ingress Protection: IP66, IP67, IP68*
(30 metres for 7 days; special conditions may apply), IP69 to IEC/EN 60529 and TYPE 4X
Deluge Protection: to DTS01
Operating Temperature: -50°C to +80°C

NEC / CEC Certifications

Class I Div 1 ABCD, Class II Div 1 EFG and Class III
Class I Div 2 ABCD, Class II Div 2 FG and Class III Div 2
Class I, Zone I, AEx d IIC; AEx e IIC; Zone 21, AEx tb IIIC
Ex db IIC Gb; Ex eb IIC Gb; Ex tb IIIC Db
Cable Types: ITC, PLT
UL E84940

Construction & Test Standards: UL2225, UL514B, CSA C22.2 NO. 18.3-12, CSA 22.2 60079-0, CSA 22.2 60079-1, CSA 22.2 60079-7 and CSA 22.2 60079-31

ATEX/IECEX Certifications

ATEX/IECEX Protection Class: Ex II 2GD
Ex db IIC Gb; Ex eb IIC Gb; Ex tb IIIC Db
ATEX Certificate No: CML 18ATEX1268X
IECEX Certificate No: CML 18.0131X
Construction & Test Standards: IEC/EN 60079-0, IEC/EN 60079-1, IEC/EN 60079-7 and IEC/EN 60079-31
Additional Certifications: EAC: TC RU C-GB HA91 B 0046 19
Inmetro: IEx 14.0272X
PESO: P450038



FEATURES-SPECIFICATIONS

The NEC® Compliant 753 dual certified Exe/Exd gland is now suitable for use with single wire armour 'W', wire braid 'X', steel tape armour 'Z' and provides a barrier seal to the individual cores within the cable and prevents entry of the products of an explosion into the cable. The gland features the worlds only NEC® compliant transparent elastomeric fully inspectable compound chamber. The 753 is available with either ExPress liquid barrier resin or QSP 2-part hand mix compound, both with a cure time of 30 minutes.

Features

- **INSPECTABLE DELUGE SEAL** – Offering IP66, IP67, IP68 & IP69 Ingress Protection
- **TRANSPARENT ELASTOMERIC FULLY INSPECTABLE COMPOUND POT** – compatible with both injectable resin and 2 part compound
- **REVERSIBLE ARMOUR CLAMP** – For all types of armour and braid.
- **PATENTED CABLE GLAND TIGHTENING GUIDE** – Helps prevent damage caused by over tightening
- **UNIQUE REAR SEAL** – Offering ultimate sealing over an extremely wide cable acceptance range.



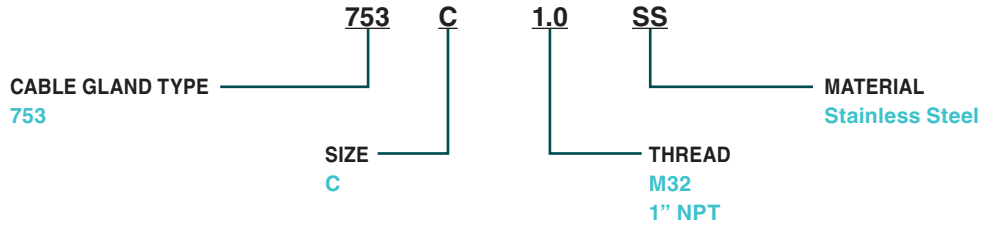
FITTINGS

753 - CABLE GLAND

CATALOG LOGIC / ORDERING INFORMATION

CATALOG LOGIC

Format for ordering is as follows: Alternative Clamping Ring (AR), add suffix AR to ordering information

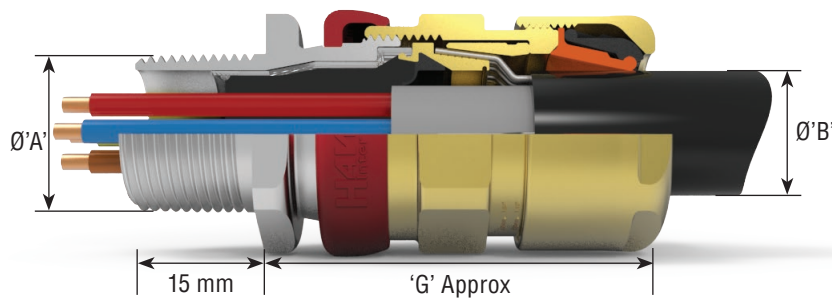


Example Code: 753 C 1.0 SS

CABLE GLAND SELECTION TABLE												
SIZE REF.	ENTRY THREAD SIZE		CABLE ACCEPTANCE DETAILS							HEXAGON DIMENSIONS		
	METRIC	NPT* STANDARD	INNER JACKET CORES 'ØA'			OUTER JACKET 'ØB'		ARMOUR / BRAID 'ØC'		'G'	ACROSS FLATS	ACROSS CORNERS
			MAX OVER CORES	MAX INNER JACKET	MAX NO CORES	MIN	MAX	ORIENTATION 1	ORIENTATION 2			
Os	M20	½"	0.31"	0.32"***	12	0.22"	0.47"	0.0315"/0.0492"	0"/0.0315"	2.3"	0.94"	1.04"
O	M20	½"	0.35"	0.46"	12	0.37"	0.63"	0.0315"/0.0492"	0"/0.0315"	2.3"	0.94"	1.04"
A	M20	¾" or ½"	0.43"	0.55"	15	0.49"	0.81"	0.0315"/0.0492"	0"/0.0315"	2.39"	1.18"	1.28"
B	M25	1" or ¾"	0.63"	0.78"	30	0.67"	1.02"	0.0492"/0.063"	0"/0.0276"	2.65"	1.42"	1.56"
C	M32	1¼" or 1"	0.86"	1.03"	42	0.87"	1.30"	0.063"/0.0787"	0"/0.0276"	2.88"	1.81"	1.99"
C2	M40	1½" or 1¼"	1.05"	1.27"	60	1.10"	1.61"	0.063"/0.0787"	0"/0.0276"	3.08"	2.17"	2.39"
D	M50	2"	1.48"	1.74"	80	1.42"	2.07"	0.0709"/0.0984"	0"/0.0394"	3.84"	2.56"	2.79"
E	M63	2½"	1.93"	2.20"	100	1.81"	2.57"	0.0709"/0.0984"	0"/0.0394"	3.68"	3.15"	3.46"
F	M75	3"	2.35"	2.68"	120	2.24"	3.07"	0.0709"/0.0984"	0"/0.0394"	4.11"	3.74"	4.09"

Os-F size metric entry threads are 1.5mm pitch as standard, 15mm length of thread. Oversize glands are available. Please contact Hawke for more details

***Recommended value to suit integrated Express resin stop. May be increased to 0.39" if QSP compound or alternative Express resin stop method are used.



ALTERNATIVE REVERSIBLE ARMOUR CLAMPING RING SIZE SELECTION		
SIZE REF	ORIENTATION 1	ORIENTATION 2
B	0.0354" - 0.0492"	0.0197" - 0.0354"
C	0.0472" - 0.063"	0.0236" - 0.0472"
C2	0.0472" - 0.063"	0.0236" - 0.0472"
D	0.0571" - 0.0709"	0.0394" - 0.0571"
E	0.0571" - 0.0709"	0.0394" - 0.0571"
F	0.0571" - 0.0709"	0.0394" - 0.0571"



LIGHTING TABLE OF CONTENTS

LED LIGHTING SECTION



LAL Series 2-7



LALFP Series 8-12



L1L 13-17



MBL Series 19-22



VMLX Series 23-30



EML Series 31-33



EZL Series 34-36



EAC/EACH Series 37



KFL-X Series 39-42



KFLH Series 43-44



KFL2H Series 45-46



KF1L Series 47-48



KWPL Series 49-50



EBS Series 52-57



NVL Series 58-59



VTR & WTR Series 60-62



VSL SERIES 63-67













DVL Series 68-69






LIGHTING
SECTION L

LIGHTING TABLE OF CONTENTS

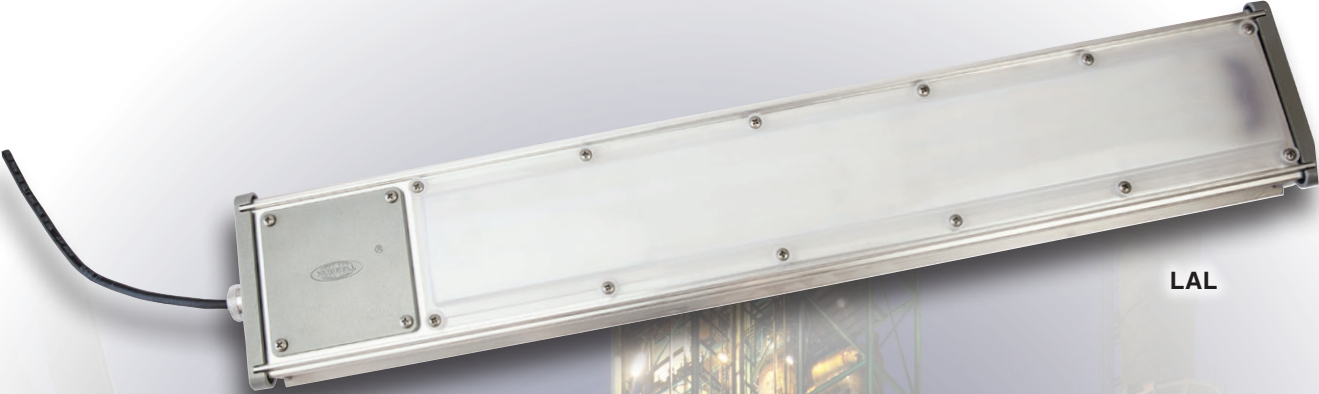
	NV2 70-73
	NVPI & NVPF 74-75
	V Series 76-84
	DV/XHL/XHLF 85-86
	DV..... 85
	XHL..... 86
	XHLF..... 86
	EM & EQ 87-94
	Replacement Parts/Accessories..... 93
	EEQ 91-94
	EBB 95-98
	ESX 99
	NVS Series 100-102
	Fixture Hangers 103-109
	FKZ/FM HOOK/LOOP 103
	FH/VX..... 104-105
	HXB/XFH/EKJ..... 106-107
	JL/JAL/ENY..... 108-109

CHALMIT LIGHTING SECTION

	Evolution X Series 110-113
	Pendant 112-113
	HDL Series 114-122
	HDL106N 114-116
	HDL106NE 117-118
	HDL206N..... 119-120
	HDL206NE..... 121-122
	Protecta X Series 123-128
	Protecta X 123-125
	Protecta X Z1 126-128



LINEAR LIGHTING



LAL



LALxE



LALFP



L1L



LIGHTING

LAL/LALXE/LALC SERIES

LOW PROFILE LINEAR ALUMINUM LED • EXCLUSIVE DESIGN FEATURES

High temperature rated silicone gasketing provides Type 4X & IP66 sealing.



Diffused



Clear

2 Lens Choices:

- Clear for maximum lumens
- Diffused for glare control

Looping Terminal Blocks under Wiring Access Plate(s).

Optional Through Wiring

2 Access Plates for feed through wiring

Battery

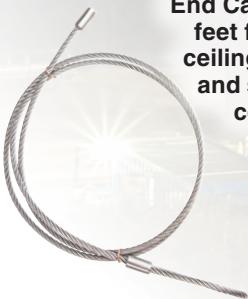
E5, E13 and E26 models include internal Emergency battery systems to 50°C suitability

Surge

Standard with internal 20kA/10kA Supplemental Surge Protection

Endcaps standard with 1 x 3/4" hub. 1/2" NPT and M20 available.

End Caps include feet for direct ceiling mounting and safety cable connection



Shown with LAL-SB Height adjustable Swivel Brackets



Mounting Slots on back and at 45°

Earth

External Earth Ground for IECEx requirement

LIGHTING

LAL/LALXE/LALC SERIES



LINEAR^{ITE}™*

* R marca registrada MEXICO



Class I, Div. 2, Groups A, B, C, D
Class I, Zone 2, Groups IIC, IIB, IIA
Class II, Div. 1 & 2, Groups E, F, G
AEx nAll, Ex nAll
Wet Locations
Type 4X
IP66
Marine Rated (US only)



Certified - File LR11713

IECEx Rated
Zone 2 and Zone 21 areas
Ex nA IIC T6 to T3, Gc
Ex tb IIC T95°C Db
Tamb -50°C < Tz < +65°C, IP66

IECEx Certificate
QPS 15.0010

ATEX Certificate
CML 15ATEX3082X Iss 2
CML 15ATEX4081X Iss 2



FEATURES-SPECIFICATIONS

Features

LAL & LALxE Product Features

- LALxE models have “built-in” battery backup for 90 or 180 minute emergency exit
- Shallow design minimizes profile in work areas with low ceiling heights
- Diffuse Lens Standard to minimize glare; Clear Lens available
- Polycarbonate Single Lens 18W to 60W; Double Lens model 80W & 120W
- Slot Back Design allows multiple mounting access points across length – slots can also be used with 5/16” or 8mm bolts & nuts, 3 housing slots, 1 center back and 2 at 45°.
- Variety of mounting options including swivel brackets, wall, ceiling brackets, or beam clamps
- End Caps each have 2 mounting feet built-in plus a safety strap attachment point
- Standard unit End Caps each have single a 3/4” NPT hub, and fixture is furnished with one 3/4” close-up plug and two 3/4” to 1/2” reducers – provides out of the box 1/2” dead-end to 3/4” feed-through flexibility. Metric openings are available.
- Standard LALs have one wiring Access Plate for easy access to driver leads.

LED Features

- Many Midpower LEDs blend light to simulate fluorescent tubes
- Chromaticity outputs:
 standard – 5000K 70 CRI
 3590 option – 3500K 90 CRI
 3070 option – 3000K 70 CRI
- 3590 option is not available on the LALC
- 3070 option is only available on the LALC 15-45 watt.
- Energy Savings – High lumens per watt
- LED Array Life – 100,000+ hours with 70% initial lumens
- Long Fixture Life – 50,000 - 55,000 maintenance free hours

Materials

- Housing – one piece natural finish < .1% copper-free aluminum extrusion
- Endcaps & wiring – Access covers are copper-free (< .4%) aluminum with gray baked powder epoxy-polyester finish, electrostatically applied for complete uniform corrosion resistance.
- External screws are 316 stainless steel
- Lens – Impact resistant polycarbonate lens available in diffuse or clear

Electrical Ratings

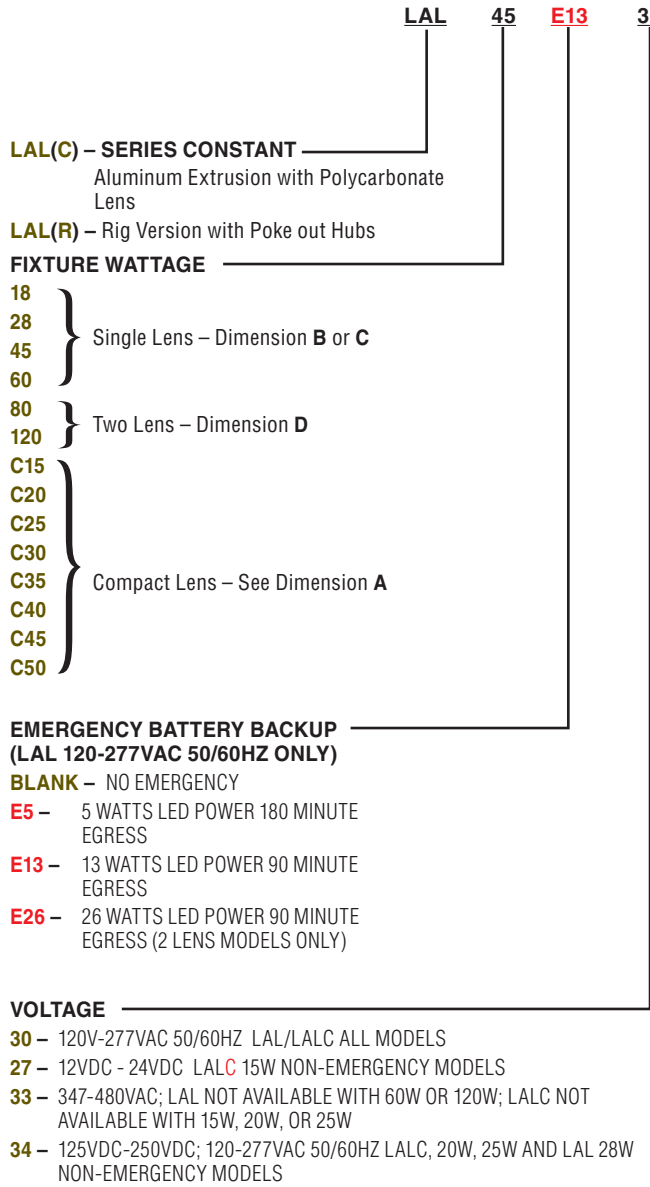
- Ambient suitability -40°C to 65°C (see tables). -20°C to 50°C Ambient suitability for Emergency models.
- Instant On – Including after power interruption
- World Voltage 120 - 277VAC 50/60Hz
- Solder-LESS LED Board Connections – Vibration Resistant
- Supplemental 20KA/10KV Surge Protection is standard (for 120-277 VAC models) 10KA/10KV Surge Protection (for 347-480 VAC)



LIGHTING

LAL/LALXE/LALC SERIES

CATALOG LOGIC



- Example**
= 45W 4PCB WITH 13W EMERGENCY 120 - 277VAC WITH DIFFUSE LENS, 2 FUSES, 2 ACCESS PLATES DIMENSION "B"
- OPTIONS**
- L4-2AP** – APPROX. 4 FOOT WITH 2 ACCESS COVERS (DIMENSION C)
 - F** – SINGLE FUSE (1 POLE)
 - FF** – TWO FUSES (2 POLE - 2 HOT LEGS)
 - S52** – 1 ENDCAP WITH 1X1/2" NPT AND 1XM20 ENTRIES (3/4" NPT PLUGGED)
 - D52** – 2 ENDCAPS WITH 1X1/2" NPT AND 1XM20 ENTRIES (3/4" NPT PLUGGED)
 - D50** – 2X1/2" NPT ENTRIES 1 END CAP, 3/4" PLUGGED; 2ND END CAP STD. 1X3/4" NPT
 - D502** – 2X1/2" ENTRIES 2 END CAPS, 3/4" NPTS PLUGGED
 - D20** – 2XM20 ENTRIES 1 END CAP, 3/4" PLUGGED; 2ND END CAP STD. 1X3/4" NPT
 - D202** – 2XM20 ENTRIES 2 END CAPS, 3/4" NPTS PLUGGED
 - LSP** – LESS SURGE PROTECTOR
 - GH** – GRAY HOUSING
 - RH** – RED HOUSING
 - 2AP** – DUAL ACCESS PLATES (INCREASES LENGTH BY 4.2" [102])
 - TBL** – TERMINAL BLOCKS **LOOPING THROUGH WIRING**
 - CAH** – CLEAR ANODIZED HOUSING
 - 3590** – 3500K (CCT) AND 90 CRI LEDS
 - 3070** – 3000K (CCT) AND 70 CRI LEDS

SPECIALS – CONTACT FACTORY FOR CUSTOM CONFIGURATIONS AND OPTIONS

- LENS**
- D** – DIFFUSE POLYCARBONATE
 - C** – CLEAR POLYCARBONATE
- *Clear Polycarbonate lens not available in compact "C" fixture sizes.*

Energy Savings

LED VS FLUORESCENT WATTAGE & DELIVERED LUMENS						
CATALOG NUMBER	LUMENS	L/W	FLUORESCENT		LUMENS	L/W
LAL1830C	2479	138	40W	1x40W BX	2471	63
LAL2830C	3624	129	55W	1x55W BX	3766	65
LAL4530C	5515	122	56W	2x28T5	4676	71
			64W	2x32T8	4772	80
LAL6030C	7709	128	108W	2x54T5HO	8088	67
			120W	2x60T12HO	6965	56
LAL8030C	11032	138	162W	3x54T5HO	11619	65



LIGHTING LAL/LALXE/LALC SERIES



ORDERING INFORMATION

ORDERING INFORMATION AND AMBIENT SUITABILITY							C1D2 ABCD/ ZONE 2 IIC, IIB, IIA			C1D2 GRPS. EFG SIMULTANEOUS			C2D1 GRPS. EFG			IEC ZONE 2			IEC ZONE 21				
CATALOG NUMBER W/ DIFFUSE LENS	WEIGHT LBS./KG	WATTS STD. POWER	LENGTH STYLE - INCHES (MM)	VOLTAGE	AMPS	DELIVERED LUMENS DIFFUSE/ CLEAR	40°C	55°C	65°C	40°C	55°C	65°C	40°C	55°C	65°C	40°C	55°C	65°C	40°C	55°C	65°C		
LAL1830D	17.9 / 8.1	18	B-32.6 (828)	120-277VAC	0.15 - 0.06	2272 / 2479	T6	T6	T5	T4A	T4A	T4A	T4A	T4A	T4A	T6	T6	T5	T4	T4	T4		
LAL2830D	17.9 / 8.1	28	B-32.6 (828)				0.23 - 0.10	3321 / 3624	T6	T6	T5	T4A	T4A	T4A	T4A	T4A	T4A	T6	T6	T5	T4	T4	T4
LAL4530D	17.9 / 8.1	45	B-32.6 (828)				0.38 - 0.16	5054 / 5515	T6	T5	—	T4A	T4A	T4A	T4A	T4A	T4A	T6	T5	T5	T4	T4	T4
LAL6030D	18.9 / 8.6	60	B-32.6 (828)				0.50 - 0.22	7064 / 7709	T6	T5	—	T4A	T4A	—	T4A	T4A	—	T6	T5	—	T4	T4	—
LAL8030D	34.5 / 15.6	80	D-57.9 (1471)	120-277VAC	0.67 - 0.29	10110 / 11032	T6	T5	—	T4A	T4A	—	T4A	T4A	—	T6	T5	—	T4	T4	—		
LAL12030D	36.5 / 16.6	120	D-57.9 (1471)	120-277VAC	1.00 - 0.43	15090 / 16467	T6	T5	—	T4A	T4A	—	T4A	T4A	—	T6	T5	—	T4	T4	—		
LALC1527D	12.03 / 4.49	15	12-24VDC	1.3-0.6	1503 (Diffuse)	T5	T4A	—	T4A	T4A	—	T4A	T4A	—	T5	T4	—	T4	T4	—			
LALC1530D			120-277VAC	0.15-0.06																			
LALC1534D			120-250VDC	0.2-0.1																			
LALC2027D		20	12-24VDC	1.7-0.8	2337 (Diffuse)	T5	T5	—	T4A	T4A	—	T4A	T4A	—	T5	T5	—	T4	T4	—			
LALC2030D			120-277VAC	0.17-0.08																			
LALC2034D			120-250VDC	0.2-0.1																			
LALC2527D		25	12-24VDC	2.1-1.0	3019 (Diffuse)	T5	T4A	—	T4A	T4A	—	T4A	T4A	—	T5	T4	—	T4	T4	—			
LALC2530D			120-277VAC	0.18-0.08																			
LALC2534D			120-250VDC	0.2-0.1																			
LALC3030D		30	A-18.73 (476)	120-277VAC	0.26-0.11	2726 (Diffuse)	T5	T4A	—	T4A	T4A	—	T4A	T4A	—	T5	T4	—	T4	T4	—		
LALC3530D			A-18.73 (476)		0.30-0.13	3261 (Diffuse)	T5	T4A	—	T4A	T4A	—	T4A	T4A	—	T5	T4	—	T4	T4	—		
LALC4030D			A-18.73 (476)		0.34-0.15	4152 (Diffuse)	T5	T5	—	T4A	T4A	—	T4A	T4A	—	T5	T5	—	T4	T4	—		
LALC4530D			A-18.73 (476)		0.38-0.17	5136 (Diffuse)	T5	T5	—	T4A	T4A	—	T4A	T4A	—	T5	T5	—	T4	T4	—		
LALC5030D			A-18.73 (476)		0.42-0.18	6039 (Diffuse)	T5	—	—	T4A	—	—	T4A	—	—	T5	—	—	T4	—	—		

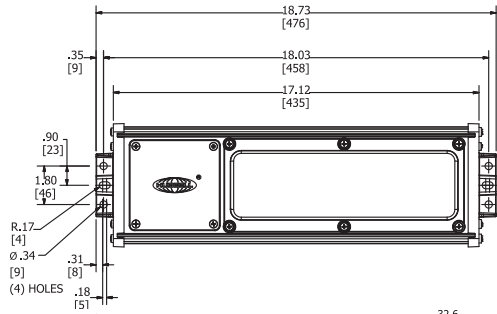
CATALOG NUMBER	WEIGHT	WATTS	LENGTH IN / MM	VOLTAGE	AMPS	LUMENS DIFFUSE/ CLEAR	C1D2 ABCD/ ZONE 2 IIC, IIB, IIA		C1D2 GRPS. EFG SIMULTANEOUS		C2D1 GRPS. EFG		IEC ZONE 2		IEC ZONE 21			
							40°C	50°C	40°C	50°C	40°C	50°C	40°C	50°C	40°C	50°C		
LAL18E1330D	21.9 / 9.9	18	B-32.6 (828)	120-277VAC	0.15 - 0.06	2272 / 2479	T6	T6	T4A	T4A	T4A	T4A	T6	T6	T4	T4		
LAL28E1330D	21.9 / 9.10	28	B-32.6 (828)				0.23 - 0.10	3321 / 3624	T6	T6	T4A	T4A	T4A	T4A	T6	T6	T4	T4
LAL45E1330D	21.9 / 9.11	45	B-32.6 (828)				0.38 - 0.16	5054 / 5515	T6	T5	T4A	T4A	T4A	T4A	T6	T5	T4	T4
LAL60E1330D	21.9 / 9.12	60	B-32.6 (828)				0.50 - 0.22	7064 / 7709	T6	T5	T4A	T4A	T4A	T4A	T6	T5	T4	T4
LAL80E1330D	34.5 / 15.6	80	D-57.9 (1471)	120-277VAC	0.67 - 0.29	10110 / 11032	T6	T5	T4A	T4A	T4A	T4A	T6	T5	T4	T4		
LAL80E2630D	44.5 / 20.2																	
LAL120E1330D	34.5 / 15.7	120	D-57.9 (1471)	120-277VAC	1.00 - 0.43	15090 / 16467	T6	T5	T4A	T4A	T4A	T4A	T6	T5	T4	T4		
LAL120E2630D	44.5 / 20.3																	
LALC15E1330D	12.03 / 4.49	15	A-18.73 (476)	120-277VAC	0.15-0.06	1503 (Diffuse)	T5	T4A	T4A	T4A	T4A	T4A	T5	T4	T4	T4		
LALC20E1330D		20	A-18.73 (476)		0.17-0.08	2337 (Diffuse)	T5	T5	T4A	T4A	T4A	T4A	T5	T4	T4	T4		
LALC30E1330D		30	A-18.73 (476)		0.26-0.11	2726 (Diffuse)	T5	T4A	T4A	T4A	T4A	T4A	T5	T5	T4	T4		
LALC40E1330D		40	A-18.73 (476)		0.34-0.15	4152 (Diffuse)	T5	T5	T4A	T4A	T4A	T4A	T5	T5	T4	T4		



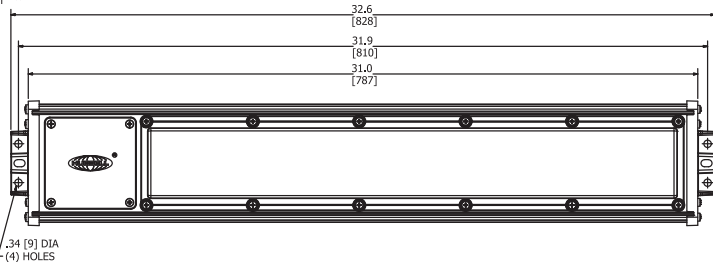
LIGHTING

LAL/LALXE/LALC SERIES

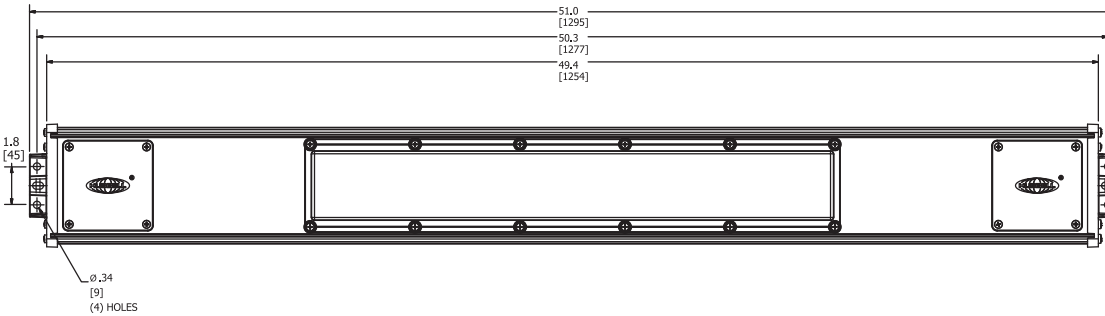
DIMENSIONS AND ACCESSORIES



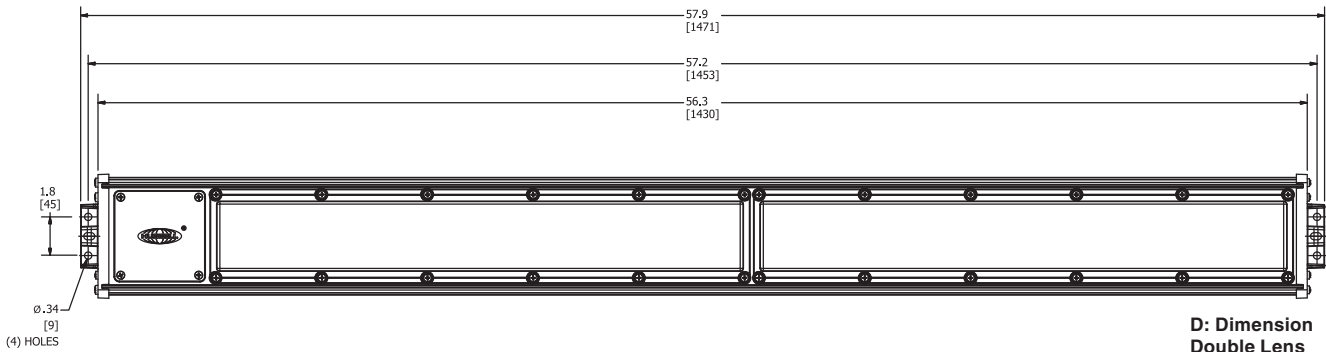
A: Dimensions for LALC



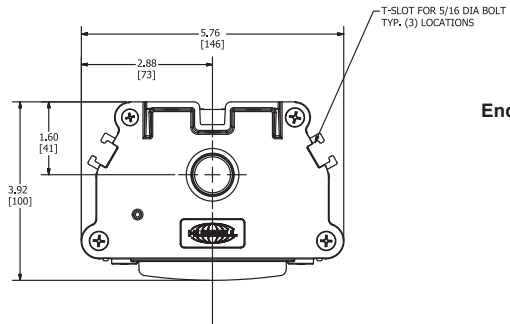
B: Dimension for Single Lens



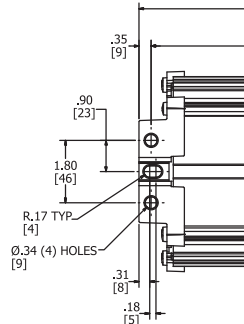
C: Dimension Single Lens with approx. 4 foot length and 2 access covers



D: Dimension Double Lens



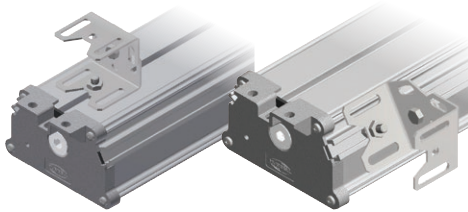
End Views





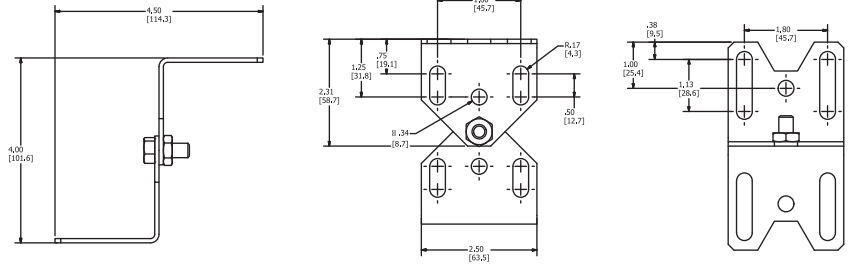
ACCESSORIES AND REPLACEMENT PARTS

ACCESSORIES AND REPLACEMENT PARTS	
LAL-SB	Swivel Bracket Set w/ Adjustable Height; includes 5/16" bolts/nuts/lock-washers for attachment to LAL(C) "slots"; can also be attached to end cap mounting feet with FBO bolts.
LZCB	Ceiling Bracket Set with Stainless Steel Bolts to attach to LAL(C) "slots"
LZWB	Wall Bracket Set with Stainless Steel Bolts to attach to LAL(C) "slots"
LAL-BC	Steel/malleable Iron with Zinc electroplate for corrosion resistance; includes Stainless Steel Bolts to attach to LAL(C) "slots"
LAL-EB	Eyebolt Set with Stainless Steel Bolts to attach to LAL(C) "slots"
VMSC10	10' Stainless Steel Safety Cable with loop grip
LALG	Stainless Guard for 1 LAL Lens, order two for 2 lens models
LALCG	LALC Stainless Guard
LAL-LENSCLR	Single Clear Lens with Gasket for LAL Series
LAL-LENSDIF	Single Diffuse Lens with Gasket for LAL Series
LALC-LENSDIF	Single Diffuse Lens with Gasket for LALC Series

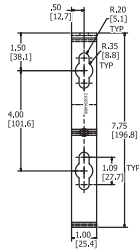
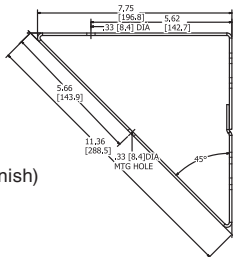


LAL-SB on Center Slot

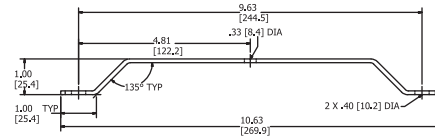
LAL-SB on 45° Slot



Wall Bracket Set
Part Number LZWB
Stainless Steel (natural finish)



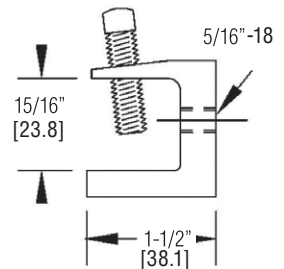
Ceiling Bracket Set
Part Number LZCB
Stainless Steel (natural finish)



VMSC10 Safety Cable



LAL-BC Beam Clamp





LIGHTING
LALFP SERIES

LALFP

Linear LED Food Processing Fixture

Maintenance free
long-lasting LEDs

NSF Certified with
Impact Resistant
polycarbonate lens

All exterior
stainless steel
hardware

Large wiring
access for ease
of installation

Extremely durable copper-free
aluminum mounting feet and
access plate with anodized
aluminum housing

90 or 180 minute emergency
with Self-diagnostics in
accordance with
NFPA 101® Life Safety Code



LINEAR LED TECHNOLOGY

LINEAR*LITE*TM*
* R marca registrada MEXICO



Class I, Div. 2, Groups A, B, C, D
Class I, Zone 2, Groups IIC, IIB, IIA
Class II, Div. 1 & 2, Groups E, F, G
AEx nAll, Ex nAll

Wet Locations

Type 4X

IP66/IP67

Marine Rated (US only)

ABS Type Approval

NSF Food Handling (2022)

 Certified - File LR11713

IECEX Rated

Zone 2 and Zone 21 areas

Ex nA IIC T6 to T3, Gc

Ex tb IIC T95°C Db

Tamb -50°C < Tz < +65°C, IP66

IECEX Certificate

QPS 15.0010

ATEX Certificate

CML 15ATEX3082X Iss 2

CML 15ATEX4081X Iss 2

FEATURES-SPECIFICATIONS

Features

LALFP & LALFPxiE

- LALFPxiE models have “built-in” battery backup for 90 or 180 minute battery backup
- Shallow design minimizes profile in work areas with low ceiling heights
- Diffuse Lens Standard to minimize glare; Clear Lens available
- Polycarbonate Single Lens L1 & L3; Double Lens model L5
- Variety of mounting options including swivel brackets, wall, ceiling brackets, or beam clamps
- End Caps each have 2 mounting feet built-in plus a safety strap attachment point
- Standard unit End Caps each have single a 3/4” NPT hub, and fixture is furnished with one 3/4” close-up plug and two 3/4” to 1/2” reducers – provides out of the box 1/2” dead-end to 3/4” feed-through flexibility. Metric openings are available.
- Standard LALFPs have one wiring Access Plate for easy access to terminal block.

LED Features

- Many Midpower LEDs blend light to simulate fluorescent tubes
- Chromaticity outputs:
standard – 5000K 70 CRI
3590 option – 3500K 90 CRI
3070 option – 3000K 70 CRI
- 3590 option is not available with the L1 length
- 3070 option is only available on L1 length and the 2 & 4 lumen outputs
- LED Array Life – 100,000+ hours with 70% initial lumens
- Long Fixture Life – 50,000 - 55,000 maintenance free hours

Materials

- Housing – one piece clear anodized < .1% copper-free aluminum extrusion
- Endcaps & wiring – Access covers are copper-free (< .4%) aluminum with natural finish.
- External screws are 316 stainless steel
- Lens – Impact resistant polycarbonate lens available in diffuse or clear

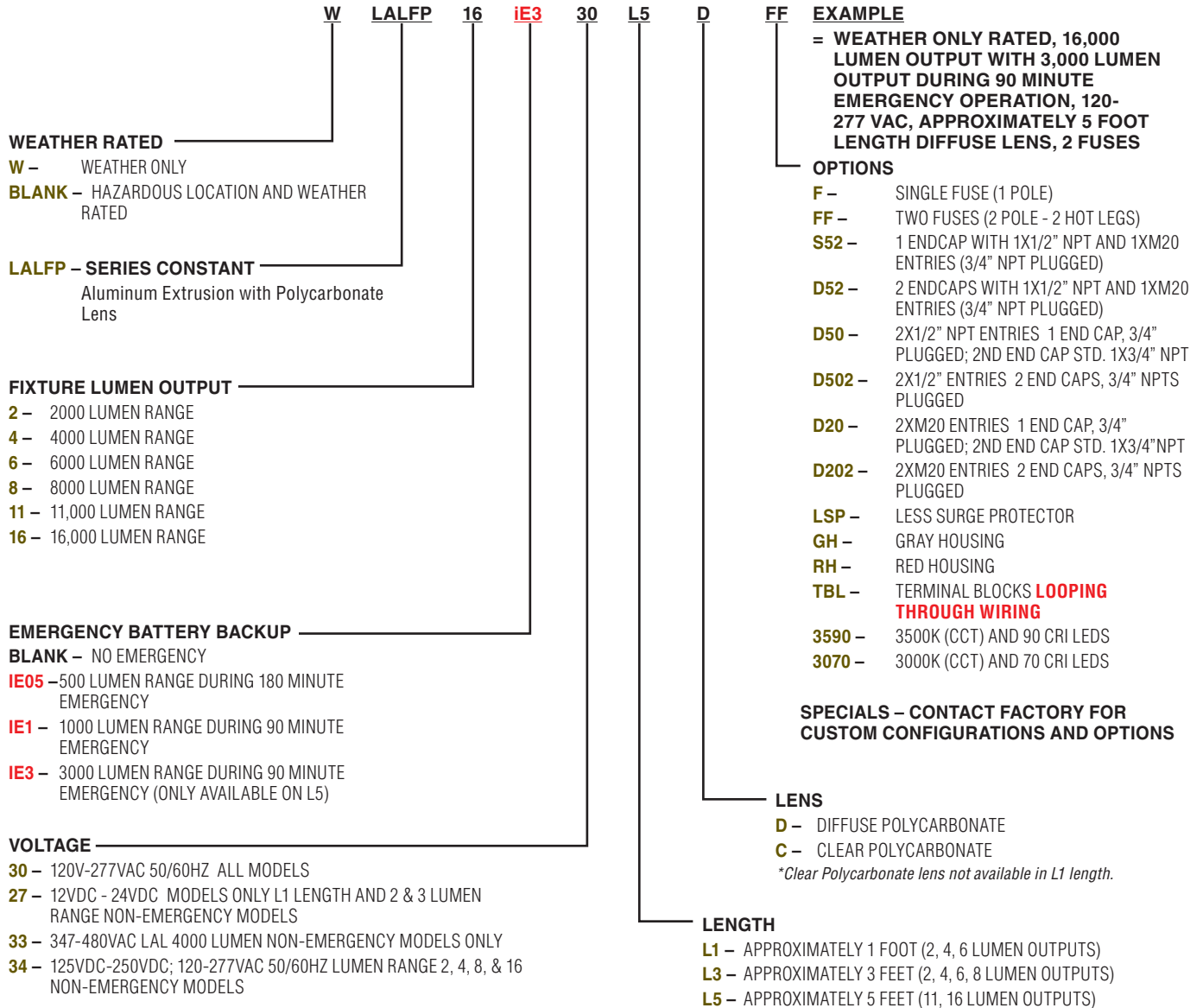
Electrical Ratings

- Ambient suitability -40°C to 65°C (see tables). **-20°C to 50°C Ambient suitability for Emergency models.**
- Instant On – Including after power interruption
- World Voltage 120 - 277VAC 50/60Hz
- Solder-LESS LED Board Connections – Vibration Resistant
- Supplemental 20KA/10KV Surge Protection is standard (for 120-277 VAC models) 10KA/10KV Surge Protection (for 347-480 VAC)



LIGHTING LALFP SERIES

CATALOG LOGIC



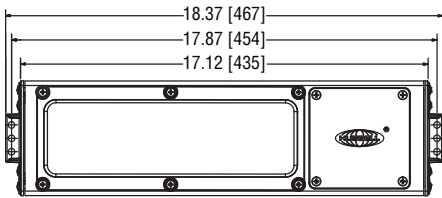
ENERGY SAVINGS

LED VS FLUORESCENT WATTAGE & DELIVERED LUMENS					
CATALOG NUMBER	LUMENS	L/W	FLUORESCENT	LUMENS	L/W
LALFP230L3C	2479	138	40W 1x40W BX	2471	63
LALFP430L3C	3624	129	55W 1x55W BX	3766	65
LALFP830L3C	7709	128	120W 2x60T12HO	6965	56
LALFP1130L5C	11032	138	162W 3x54T5HO	11619	65

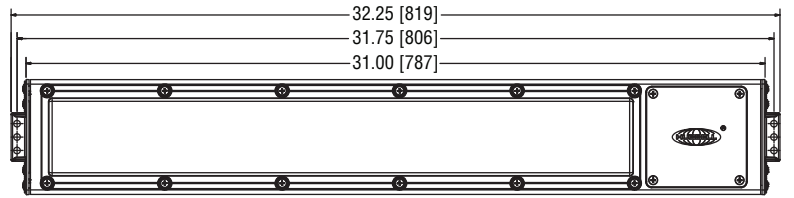


ORDERING INFORMATION / DIMENSIONS

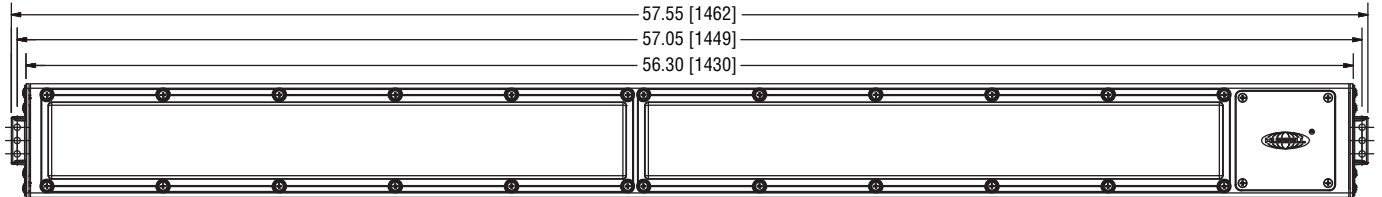
ORDERING INFORMATION AND AMBIENT SUITABILITY							C1D2 A,B,C,D/ ZONE 2 IIC, IIB, IIA			C1D2 E, F, G SIMULTANEOUS			C2D1 E, F, G			IEC ZONE 2			IEC ZONE 21	
CATALOG NUMBER	WEIGHT LBS./KG	WATTS	LENGTH IN / MM	VOLTAGE	AMPS	LUMENS DIFFUSE/CLEAR	40°C	55°C	65°C	40°C	55°C	65°C	40°C	55°C	65°C	40°C	55°C	65°C	40°C	65°C
LALFP230L1D	12.03 / 4.49	15	18.73 / 476	120/277 VAC 50/60 Hz	0.15-0.06	1503 (Diffuse)	T5	T4A	—	T4A	T4A	—	T4A	T4A	—	T5	T4	—	T4	—
LALFP230L3D	17.90 / 8.1	18	32.6 / 828		0.15 - 0.06	2272 / 2479	T6	T6	T6	T4A	T4A	T4A	T4A	T4A	T4A	T6	T6	T5	T4	T4
LALFP230L4D	12.90 / 9.9		51 / 1295		T6		T6	T6	T4A	T4A	T4A	T4A	T4A	T4A	T4A	T4A	T6	T6	T5	T4
LALFP430L1D	12.03 / 4.49	35	18.73 / 476		0.30-0.13	3261 (Diffuse)	T5	T4A	—	T4A	T4A	—	T4A	T4A	—	T5	T4	—	T4	—
LALFP430L3D	17.90 / 8.1	28	32.6 / 828		0.23 - 0.10	3321 / 3624	T6	T6	T5	T4A	T4A	T4A	T4A	T4A	T4A	T6	T6	T5	T4	T4
LALFP430L4D	12.90 / 9.9		51 / 1295		T6		T6	T5	T4A	T4A	T4A	T4A	T4A	T4A	T4A	T4A	T6	T6	T5	T4
LALFP630L1D	12.03 / 4.49	45	18.73 / 476		0.38-0.17	5136 (Diffuse)	T5	T4A	—	T4A	T4A	—	T4A	T4A	—	T5	T5	—	T4	—
LALFP630L3D	17.90 / 8.1	45	32.6 / 828		0.38 - 0.16	5054 / 5515	T6	T5	—	T4A	T4A	—	T4A	T4A	—	T6	T5	T5	T4	T4
LALFP630L4D	12.90 / 9.9		51 / 1295		T6		T5	—	T4A	T4A	—	T4A	T4A	—	T4A	T4A	—	T6	T5	T5
LALFP830L3D	17.90 / 8.1	60	32.6 / 828		0.50 - 0.22	7064 / 7709	T6	T5	—	T4A	T4A	—	T4A	T4A	—	T6	T5	—	T4	—
LALFP830L4D	12.90 / 9.9		51 / 1295		T6		T5	—	T4A	T4A	—	T4A	T4A	—	T4A	T4A	—	T6	T5	—
LALFP1130L5D	36.50 / 16.6	80	57.9 / 1471		0.67 - 0.29	10110 / 11032	T6	T5	—	T4A	T4A	—	T4A	T4A	—	T6	T5	—	T4	—
LALFP1630L5D	36.50 / 16.6	120	57.9 / 1471	1.00 - 0.43	15090 / 16467	T6	T5	—	T4A	T4A	—	T4A	T4A	—	T6	T5	—	T4	—	



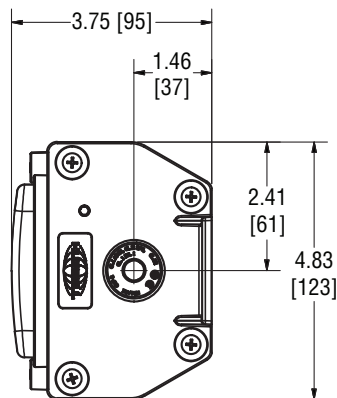
LALFP-L1 Single Access Panel



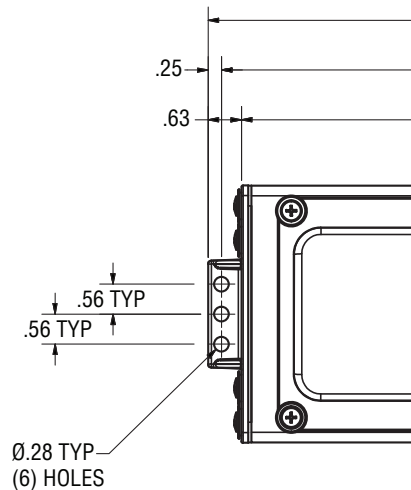
LALFP-L3 Single Access Panel



LALFP-L5 Single Access Panel



End View

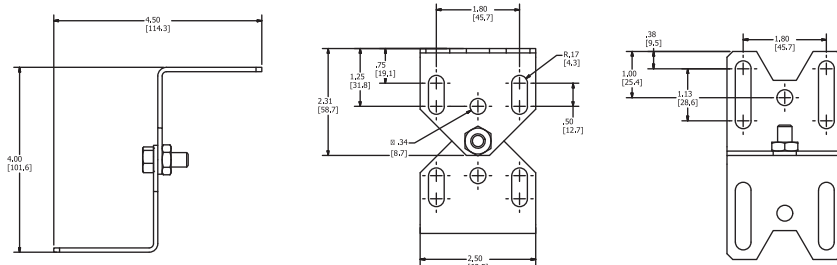




LIGHTING LALFP SERIES

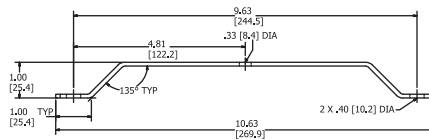
ACCESSORIES AND REPLACEMENT PARTS

ACCESSORIES AND REPLACEMENT PARTS	
LAL-SB	Swivel Bracket Set w/ Adjustable Height; includes 5/16" bolts/nuts/lock-washers for attachment to LAL(C) "slots"; can also be attached to end cap mounting feet with FBO bolts.
LZCB	Ceiling Bracket Set with Stainless Steel Bolts
LZWB	Wall Bracket Set with Stainless Steel Bol
LAL-BC	Steel/malleable Iron with Zinc electroplate for corrosion resistance; includes Stainless Steel Bolts to attach to LAL(C) "slots"
LAL-EB	Eyebolt Set with Stainless Steel Bolts
VMSC10	10' Stainless Steel Safety Cable with loop grip
LALG	Stainless Guard for 1 LAL Lens, order two for 2 lens models
LALCG	LALC Stainless Guard
LAL-LENSCLR	Single Clear Lens with Gasket for L3 & L5 Lengths
LAL-LENSDIF	Single Diffuse Lens with Gasket for L3 & L5 Lengths
LALC-LENSDIF	Single Diffuse Lens with Gasket for L1 Length

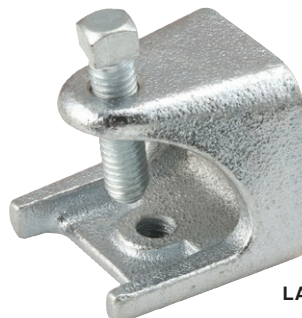


LAL-SB Dimensions – extended shown

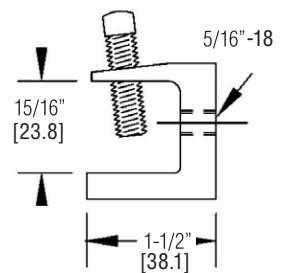
Ceiling Bracket Set Part Number LZCB Stainless Steel (natural finish)

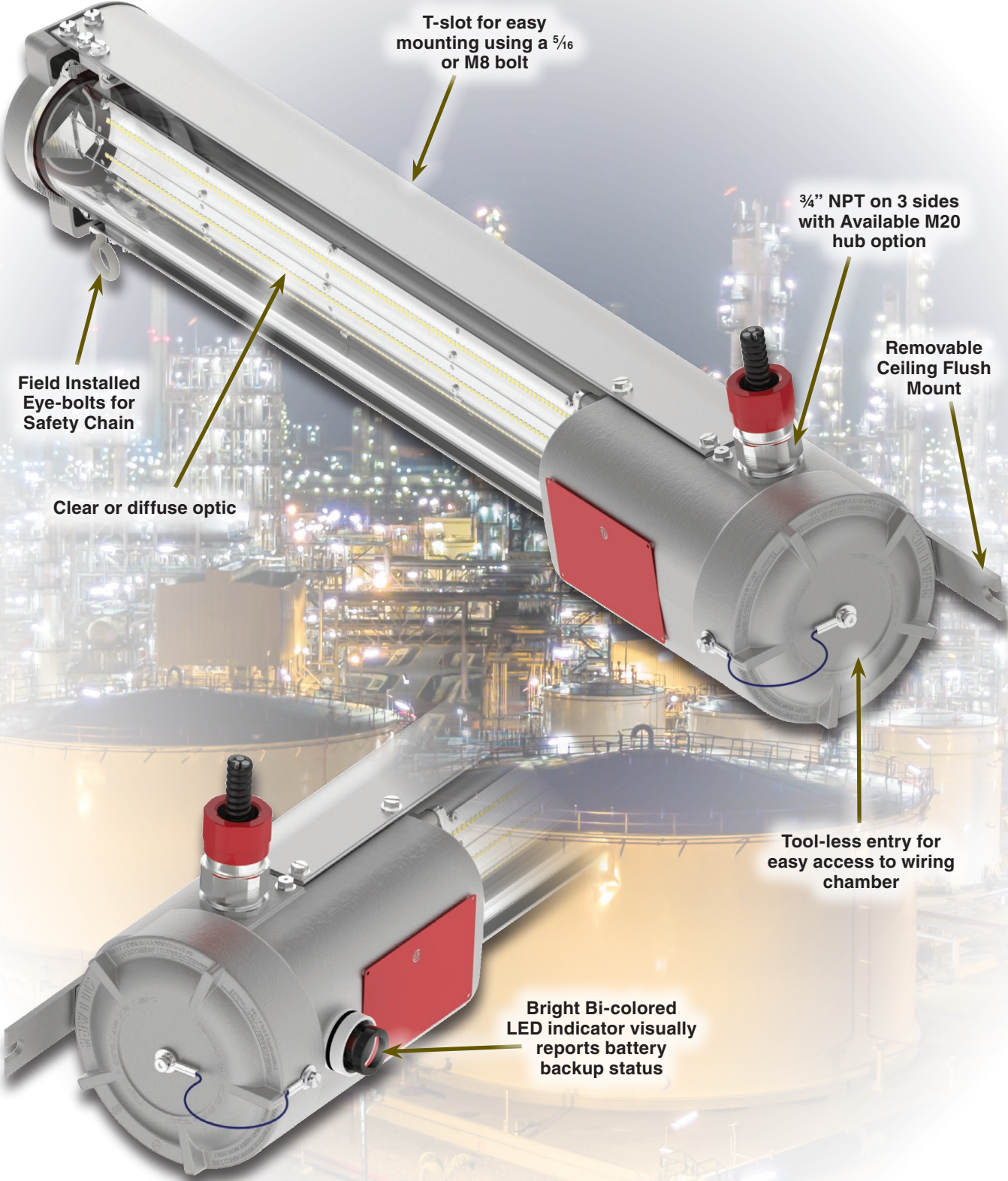


VMSC10 Safety Cable



LAL-BC Beam Clamp





T-slot for easy mounting using a $\frac{5}{16}$ or M8 bolt

$\frac{3}{4}$ " NPT on 3 sides with Available M20 hub option

Removable Ceiling Flush Mount

Field Installed Eye-bolts for Safety Chain

Clear or diffuse optic

Tool-less entry for easy access to wiring chamber

Bright Bi-colored LED indicator visually reports battery backup status



LIGHTING
L1L SERIES

LED FIXTURES

LINEARLITE™*

* R marca registrada MEXICO



Class I, Div. 1 & 2, Groups B, C, D
Class I, Zones 1 & 2, Groups IIB, IIA
Class II, Div. 1 & 2, Groups E, F, G
Class III, Div. 1 & 2

IP66

Suitable for wet locations

Suitable for paint spray booths



File – LR11713



Zone 1, Zone 21

Ex db op is IIB+H2 T6 Gb

Ex tb op is IIIC T85°C Db, IP66

Tamb:

-20°C to +55°C (7-12K Standard)

-20°C to +50°C (7-12K Battery

Backup)

-20°C to +40°C (14K Battery Backup and Standard)



IECEx Certificate

QPS 19.0005X

ATEX Certificate

CML 19ATEX1289X

FEATURES-SPECIFICATIONS

Features

- Industry-Leading efficacy: up to 153 LPW
- Standard 5000K CCT @ 70 CRI minimum
- Option 3500K CCT @ 90 CRI minimum
- 20kV / 10kA surge protection on standard fixture
- T-slot mounting for the ultimate in easy mounting
- Self-testing and self-diagnostics on battery backup fixtures
- Angled LED boards for wider mounting distances
- Terminal blocks standard
- Low Profile
- Tool-less access to wiring chamber
- Diffuser option available
- 5 year fixture warranty

Material:

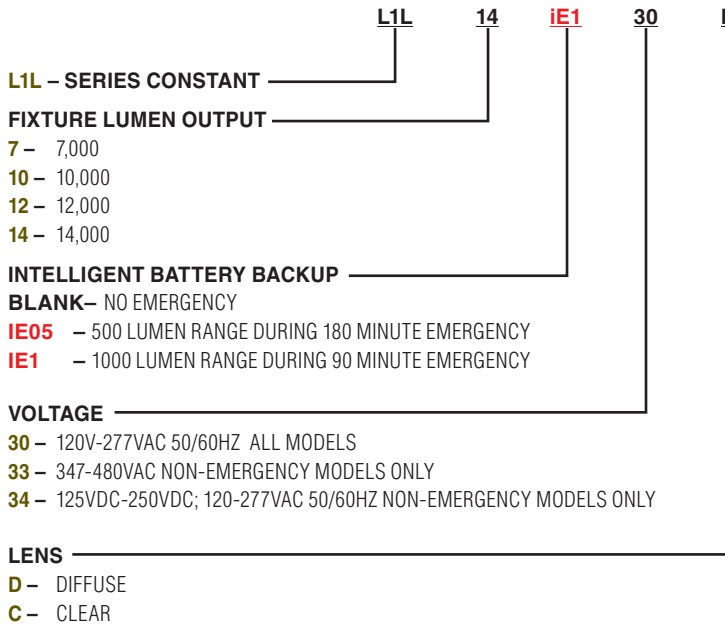
- Construction is strong lightweight corrosion-resistant copper-free aluminum alloy, less than 4% of 1%
- All external hardware is corrosion resistant 316 stainless steel

Electrical Ratings:

- 125 thru 250 VDC
- 120 thru 277 VAC, 50/60Hz
- 347 thru 480 VAC, 50/60Hz
- 20kV / 10kA surge protection on standard fixture
- Battery Duration: 90mins 10W, 180 mins 5W
- Terminal Size: 10AWG



CATALOG LOGIC / ORDERING INFORMATION



EXAMPLE

= L1L 14,000 LUMEN OUTPUT WITH 1,000 LUMEN OUTPUT DURING 90 MINUTE EMERGENCY OPERATION, 120-277VAC, DIFFUSE LENS, 2 FUSES

OPTIONS

- F** – SINGLE FUSE (1 POLE)
- FF** – TWO FUSES (2 POLE - 2 HOT LEGS)
- LSP** – LESS SURGE PROTECTOR
- GH** – GRAY HOUSING
- RH** – RED HOUSING
- WH** – WHITE HOUSING
- TBL** – TERMINAL BLOCKS **LOOPING THROUGH WIRING**
- YH** – YELLOW HOUSING
- 3590** – 3500K LED @ 90 CRI
- D20** – (3) M20 ENTRIES
- D25** – (3) M25 ENTRIES

SPECIALS – CONTACT FACTORY FOR CUSTOM CONFIGURATIONS AND OPTIONS

QUAD - IECEX, ATEX, NEC, & CEC CERTIFIED

ORDERING INFORMATION AND AMBIENT SUITABILITY						C1D1		C2D1	
CATALOG NUMBER	WEIGHT LBS./KG	WATTS	VOLTAGE	AMPS	DELIVERED LUMENS CLEAR/DIFFUSE	40°C	55°C	40°C	55°C
L1L730D	26/11.8	46	120-277	0.4-0.2	7,147 / 5,598	T6	T6	T6	T5
L1L7IE0530D	28/12.7								
L1L7IE130D	26/11.8		347-480	0.13-0.10					
L1L733D			105-250	0.4-0.2					
L1L734D	26/11.8	75	120-277	0.6-0.3	10,109 / 7,926	T6	T6	T6	T5
L1L1030D	28/12.7								
L1L10IE0530D	26/11.8		347-480	0.22-0.16					
L1L1033D			105-250	0.7-0.3					
L1L1034D	26/11.8	88	120-277	0.7-0.3	11,500 / 8,919	T6	T6	T6	T5
L1L1230D	28/12.7								
L1L12IE0530D	26/11.8		347-480	0.3-0.2					
L1L1233D			105-250	0.8-0.4					
L1L1234D	26/11.8	93	120-277	0.8-0.3	13,800 / 10,649	T6	-	T6	-
L1L1430D	28/12.7								
L1L14IE0530D	26/11.8		347-480	0.3-0.2					
L1L1433D			105-250	0.9-0.4					
L1L1434D	26/11.8								



LIGHTING
L1L SERIES

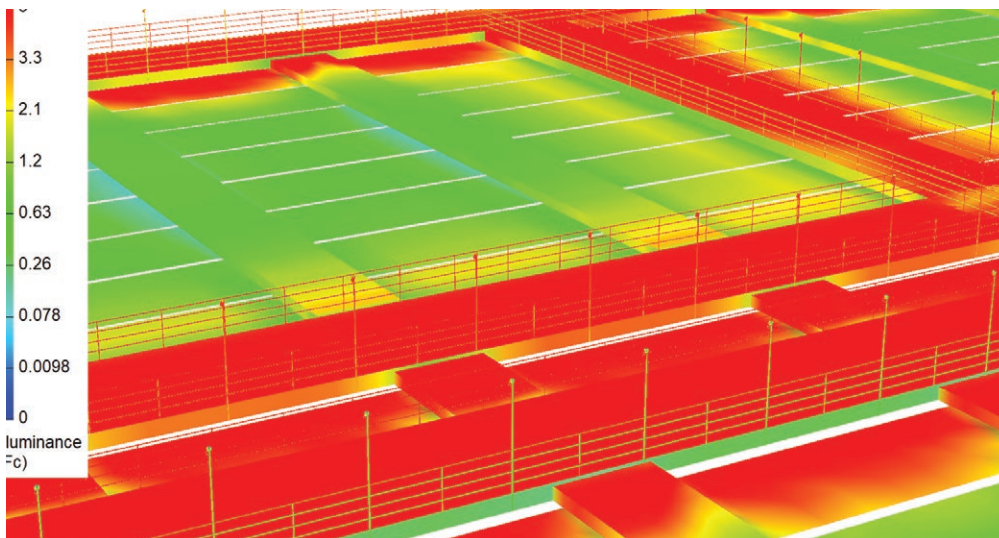
HIGH WATTAGE SELF-TESTING BATTERY BACKUP

Electronics Includes:

- Self-diagnostics monitors LED status, LED driver circuit, battery capacity and charger function and displays any fault detection by means of a flashing code
- Self-Test feature automatically runs a 1 minute test once a month and an alternating 30-60 minute test once every 6 months. LED indicator provides visible fault detection and charging status
- 15 minute re-transfer delay
- Automatic unit transfer in brown-out conditions (below 80% of nominal AC input voltage)

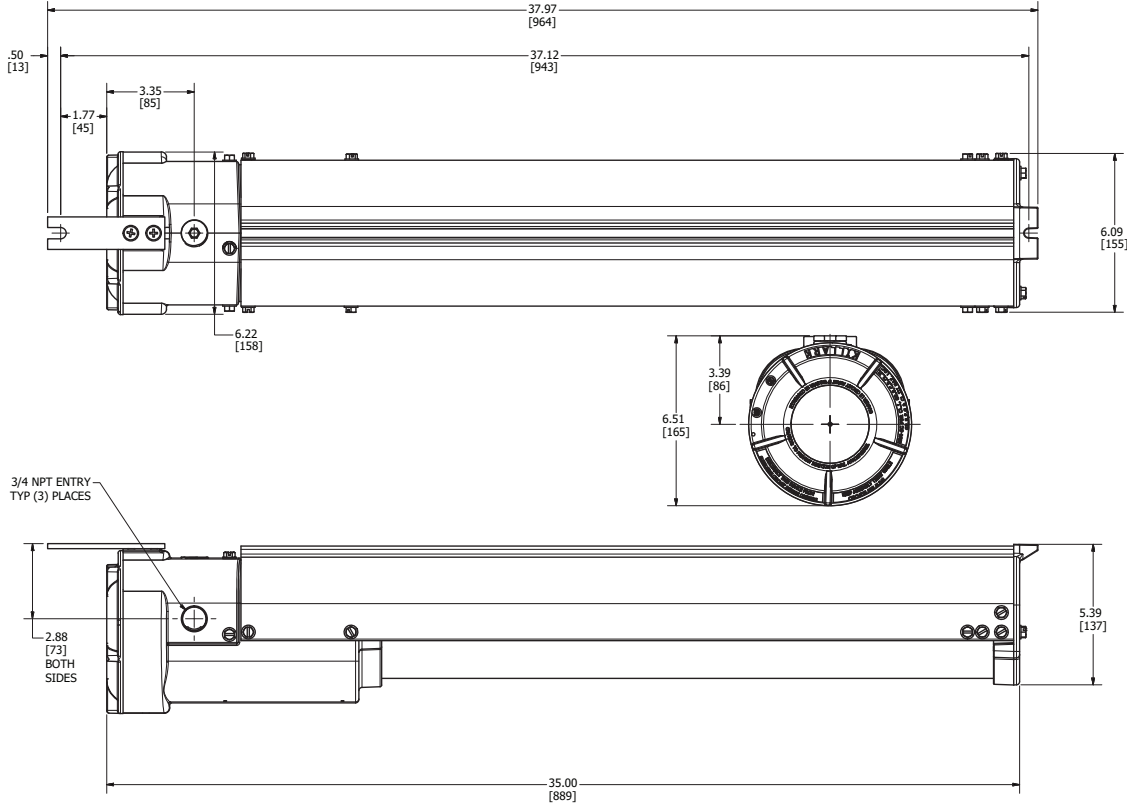
TEST SWITCH INDICATOR STATUS	
LED INDICATORS STATUS	EM DRIVER STATUS/MODE
Solid Green	System OK/AC OK (Self-diagnostic Enabled or Disabled).
Slow Flashing Red, 4s on/1s off	Battery not detected, check battery switch or connection.
Flashing Red, 1s on/1s off	Battery Failure, replace battery.
Flashing Green, 1s on/1s off	Self Diagnostic test underway.
Fast Flashing Red, 0.1s on/0.1s off	Abnormal driver performance, replace driver.
Very Slow Flashing Red, 4s on/4s off	Over temperature.
None. Both LEDs OFF	Normal working in EM mode.
Green/Red alternative flashing, 1s green/1s red	No load or output over voltage protection triggered.

LED BATTERY BACKUP LIGHTING DESIGN

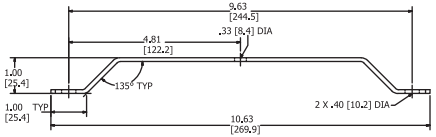




DIMENSIONS



Ceiling Bracket Set
Part Number LZCB
Stainless Steel (natural finish)

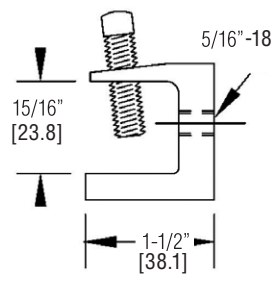


L1L-GUARD



VMSC10 Safety Cable

ACCESSORIES



LAL-BC Beam Clamp

Class I, Div. 1 & 2, Groups B, C, D
Class III, Div. 1 & 2, Groups E, F, G
Class III
Type 3, 4X
IP66

FACTORY SEALED



HKB - GL PHOTO CELLS	
CATALOG NUMBER ①	VOLTS
VMHKXPC1	120VAC
VMHKXPC2	208-277VAC
VMHKXPC3	347VAC

① 40°C ambient, T3 Rated



LIGHTING

LOWBAY & Highbay LIGHTING





COMPACT SIZE – INTRODUCTION

LINEAR[®]LITE™*

* R marca registrada MEXICO



Class I, Div. 2, Groups A,B,C,D
Class I, Zone 2, Groups IIC,IIB,IIA
Class II, Div. 1 & 2, Groups E,F,G
Class III
Suitable for wet locations
Marine Rated (US only)
Type 3, 4X

 Certified - File LR11713

FEATURES-SPECIFICATIONS

Features

- Compact in Size with Traditional Industrial Appearance and Suitability
- Wide variety of optics including globes, globes with reflectors, all-glass refractors, and spin-top refractors
- Optional Mounting arrangements including Pendant, Wall, Ceiling, and Stanchion
- MBL LED Housings can be retrofitted to existing MB splice boxes; upgrade from Fluorescent or HID
- Warm LED color option available with 3070 option
- Energy Savings – Less than 50 Watts of Power
- LED Array Life – 100,000+ hours with 70% initial lumens

Materials

- Housing, splice box and guards (MBAG, VMAG) corrosion resistant copper-free aluminum alloy
- Baked powder epoxy/polyester finish, electrostatically applied for complete, uniform corrosion protection
- All external hardware - stainless steel
- Reflectors - Polyester reinforced fiberglass

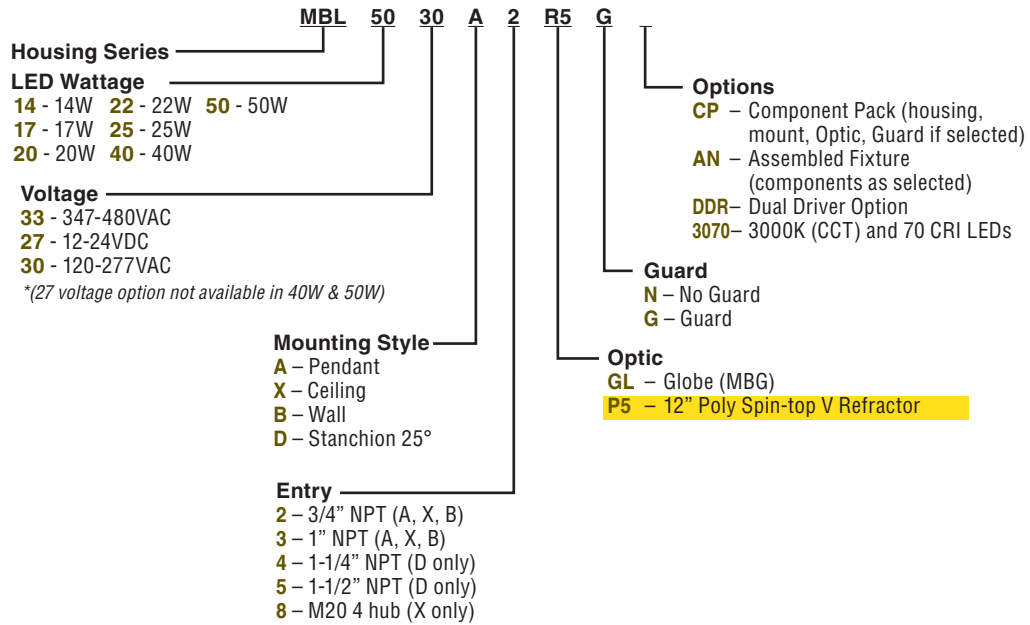
Electrical Ratings

- Long Fixture Life – 50,000 - 55,000 maintenance free hours
- Crisp White Light for Excellent Color Rendering - Chromaticity 5000°K (CCT); 70 CRI
- Ambient suitability -40°C to 40°C (to 55°C for 14W to 22W)
- Instant on – Including after power interruption
- “World Voltage” 120-277VAC 50/60Hz
- Solder-LESS LED Board Connections – Vibration Resistant
- Supplemental 20KA/10KV Surge Protection is standard (for 120-277 VAC models) 10KA/10KV Surge Protection (for 347-480 VAC)



LIGHTING
MBL SERIES

CATALOG LOGIC



COMPACT SIZE – RATINGS, SPECIAL AIMING ANGLES

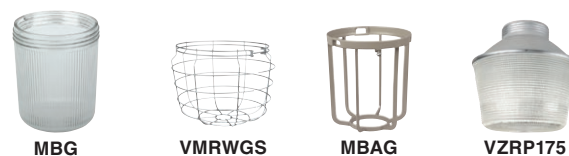
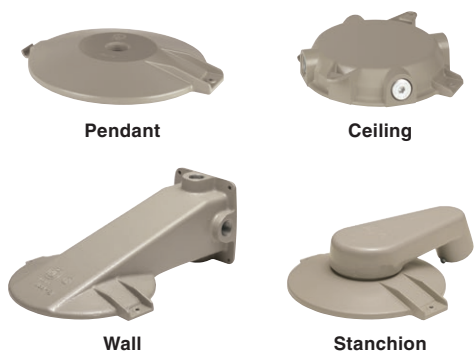
ORDERING INFORMATION AND AMBIENT SUITABILITY					C1D2 OPTIC ONLY		ABCD W/ REFLECTOR		C2D1 OPTIC ONLY		EFG W/ REFLECTOR	
CATALOG NO.	WEIGHT LBS./KG	WATTS	VOLTAGE	AMPS	40°C	55°C	40°C	55°C	40°C	55°C	40°C	55°C
MBL1427	10.00 / 4.54	14	12-24VDC	1.17-0.58	T5	T4A	T4	T3B	T4A	T4A	T4A	T4A
MBL1430			120-277VAC	0.12-0.05								
MBL1434			120-250VDC	0.12-0.04								
MBL1727		17	12-24VDC	1.42-0.71	T5	T5	T5	T5	T4	T4	T4	T4
MBL1730			120-277VAC	0.14-0.06								
MBL1734			120-250VDC	0.14-0.06								
MBL2027		20	12-24VDC	1.67-0.83	T5	T5	T5	T5	T4	T4	T4	T4
MBL2030			120-277VAC	0.17-0.07								
MBL2034			120-250VDC	0.17-0.06								
MBL2227		22	12-24VDC	1.83-0.92	T4A	T4	T4A	T4	T4	T4	T4	T4
MBL2230			120-277VAC	0.18-0.08								
MBL2234			120-250VDC	0.18-0.07								
MBL2527		25	12-24VDC	2.08-1.04	T5	T5	T5	T5	T4	T4	T4	T4
MBL2530			120-277VAC	0.21-0.09								
MBL2534			120-250VDC	0.21-0.08								
MBL4030		15.5 / 7.03	40	120-277VAC	0.33-0.14	T5	—	T5	—	T4	—	T4
MBL5030	50		120-277VAC	0.42-0.18	T5	—	T5	—	T4	—	T4	—



COMPACT SIZE – COMPONENTS

MB MOUNTING BRACKETS				
PENDANT	CATALOG NUMBER			HUB SIZE
	CEILING	WALL	STANCHION	
MBA-2	MBX-2	MBB-2	—	3/4"
MBA-3	MBX-3	MBB-3	—	1"
—	MBX-8	—	—	M20
—	—	—	MBD-4	1-1/4"
—	—	—	MBD-5	1-1/2"

MBL LED OPTICS AND ACCESSORIES		
DESCRIPTION	OPTIC LOGIC	GUARD
Globe (glass)	MBG (GL)	MBAG
Refractor polycarbonate (spin -top) 12" Type V	VZRP175 (P5)	VMRWGS
Reflector for MBG Globe - DOME	VMPSD-17	NA
Reflector for MBG Globe - ANGLE	VMPA-17	NA
120VAC Photocell with FS Style Cover	VMFSPC1	NA
208-277VAC Photocell with FS Style Cover	VMFSPC2	NA
3-sided EXIT Accessory (use without guard)	VEXA100B	NA



Non-Glass Polycarbonate
8" Flat Lens or Spin-top



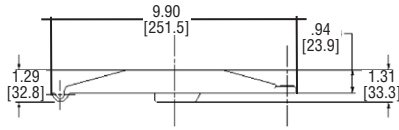
TYPICAL WEIGHTS (LBS.) W/STANDARD GLOBE AND GUARD - MBL SERIES				
14-25W	Pendant 14.96	Ceiling 15.96	Wall 19.30	Stanchion 16.83
40-50W	Pendant 20.96	Ceiling 21.69	Wall 25.30	Stanchion 22.83

DELIVERED LUMENS	
WATTS	MBL + MBG
14	910
20	1785
22	1365
25	2485
40	3625
50	5824

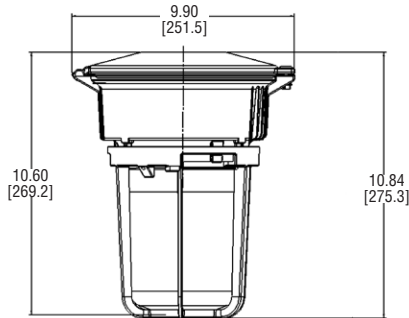


LIGHTING
MBL SERIES

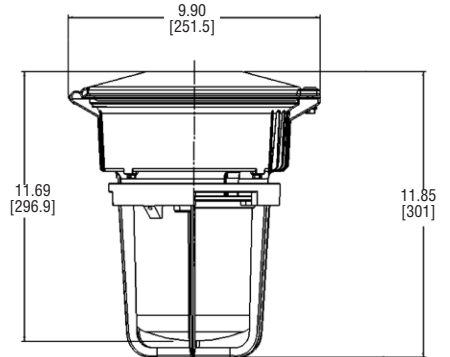
COMPACT SIZE – DIMENSIONS & WEIGHTS



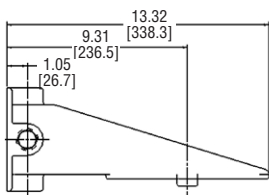
MBA Pendant



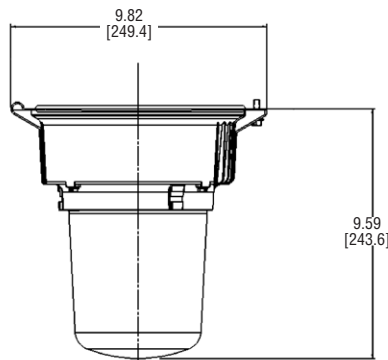
MBL Pendant, Globe, Guard



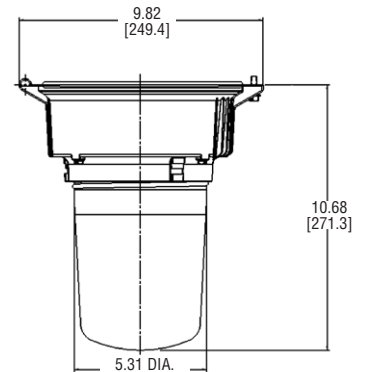
MBL Pendant, Refractor, Guard



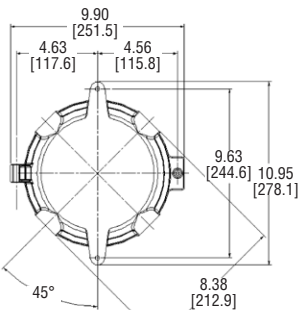
MBB Wall Mount



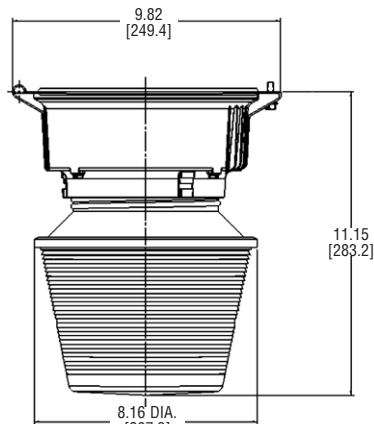
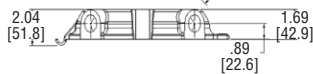
MBL & MBG Globe Only



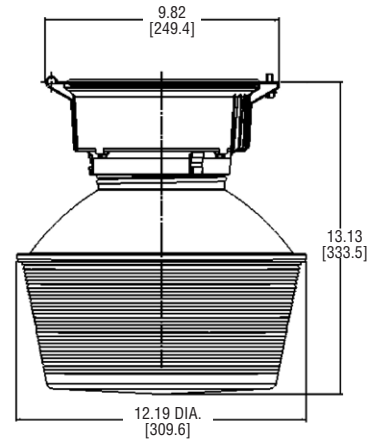
MBL & VMR Refractor



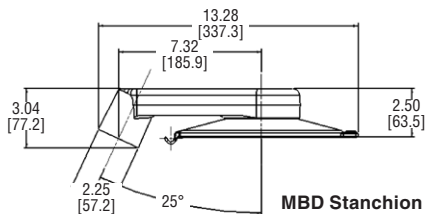
MBX Ceiling



MBL & 8" Type V Spin-top



MBL & 12" Type V Spin-top



MBD Stanchion



Same mounts as the legacy Killark VM Series for ease of retrofitting



Barrel nut for easy one hand installation

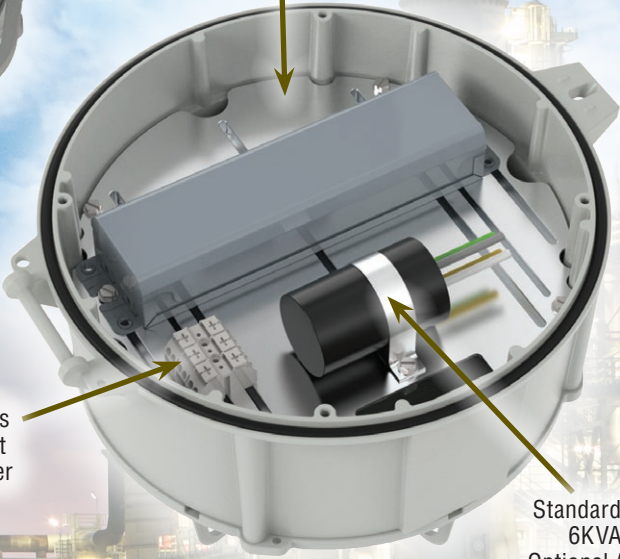


Separate driver plate for thermal separation for improved driver life

Globe and guard already installed, reducing installation costs

Optional self-testing emergency battery backup

Cage clamp terminals with loop in-loop out functionality for faster installation



Standard surge of 6KVA/6KA
 Optional Additional Surge protector

OPTIC PATTERN ▼

Type I Optic Pattern



5000K – Noon Day Sun Light

Type III Optic pattern



Green – for Migratory Birds

Type V Optic Pattern



Amber – for Marine Life

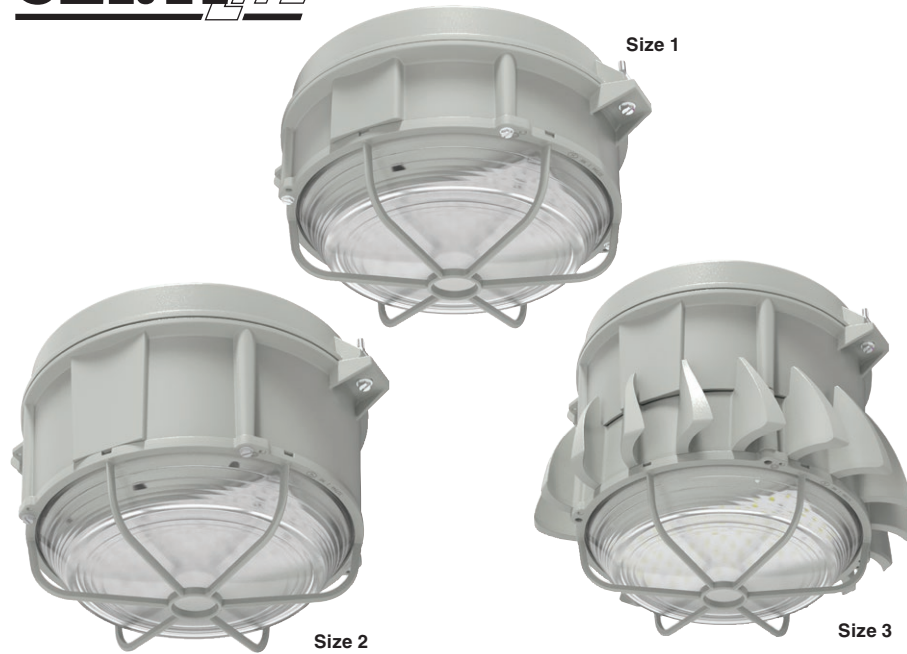
▲ LED COLOR OPTIONS



LIGHTING
VMLX SERIES

INTRODUCTION

CERTILITE®



Class I, Div. 2, Groups A,B,C,D
Class I, Zone 2, Groups IIC, IIB, IIA
Class II, Div. 1 & 2, Groups E,F,G
Class III
Suitable for wet locations
Type 3, 4X
IP66
Marine Rated (US only)

IECEX Rated (Zone 2)
Ex ec IIC T4/T3 Gc
Ex tb IIIC T4/T3 Db

Ambient Suitability -40°C to 65°C
(see tables). -20°C to 50°C for
Emergency models



IECEX Certificate
QPS 15.0006



ATEX Certificate
QPS22ATEX7000

FEATURES-SPECIFICATIONS

Features

- Traditional Photometric Performance
- Refractor options for Type I, III, and V
- VML-X Housing can be retrofitted to existing VM splice boxes for easy installation
- Retro fit adapters for various manufacturers mounts
- LED Array Life – 100,000+ hours with 70% initial lumens
- Chromaticity outputs:
 - » 5000K 70CRI Cool CCT
 - » 3000K 95CRI Warm CCT
- Wildlife Friendly color options
 - » Amber – Helps protect marine wildlife
 - » PC Amber – Phosphate coated Amber
 - » Green – Helps protect migratory birds
- Surge Protection
- Globe and guard are supplied assembled to the tank
- Self-testing and Self-diagnostics on battery back up fixtures
- Terminal blocks fitted as standard
- Reduced Storage Footprint

Materials

- Housing, Splice box and Guards corrosion resistant copper-free aluminum alloy
- Baked Powder epoxy/polyester finish, electrostatically applied for complete, uniform corrosion protection
- All external hardware - stainless steel
- Reflectors – White Polycarbonate
- Standard Glass Globe
- Optional Polycarbonate Globe

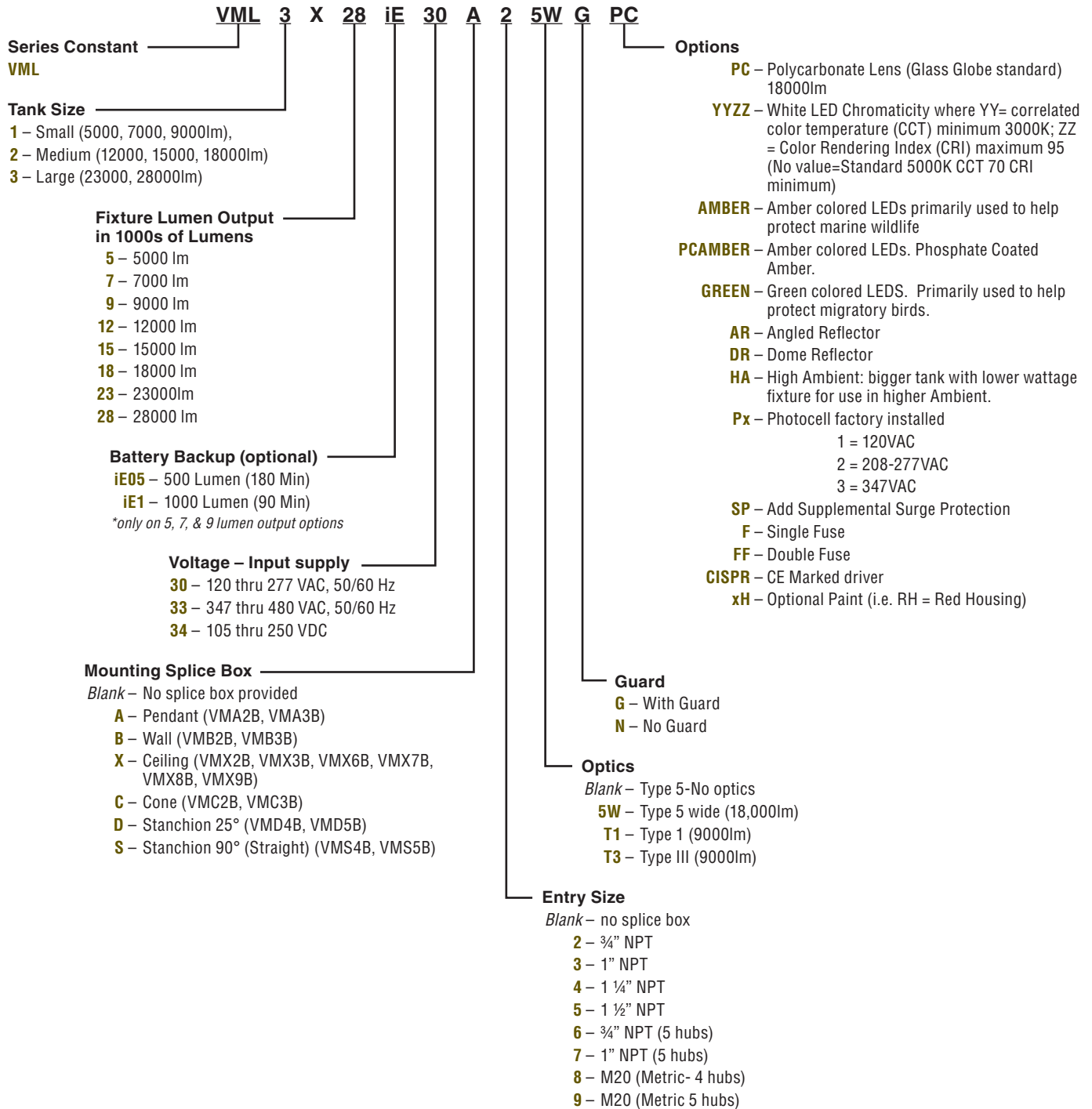
Electrical Ratings

- 110 thru 250 VDC
- 120 thru 277 VAC, 50/60Hz
- 347 thru 480 VAC, 50/60Hz
- Surge Protection: 6KV/6KA surge protection as standard.
- Optional supplementary 20KA/10KV (120-277 VAC), 10KA/10KV (347-480 VAC) Surge Protection
- Battery Duration: 90mins 10W, 180 mins 5W
- Terminal Size: 12AWG /4mm (Loop In-Loop Out)



CATALOG LOGIC

The complete luminaire catalog number is as follows:





LIGHTING

VMLX SERIES

VML-X TEMPERATURES										
CATALOG NUMBER	WEIGHT	WATTAGE	VOLTAGE	AMPS	CLASS I, DIV. 2 GROUPS A,B,C & D; (ZONE 2, GROUPS IIC, IIB, IIA)2			CLASS II, DIV. 1		
					40°C (75°C WIRE)	55°C (90°C WIRE)	65°C (90°C WIRE)	40°C (75°C WIRE)	55°C (90°C WIRE)	65°C (90°C WIRE)
VML1X530	10.8	40	120-277 VAC	0.33-0.14	T4A	T4A	—	EFG	EFG	—
VML1X533			347-480 VAC	0.12-0.08						
VML1X534			120-250 VDC	0.33-0.16						
VML1X730	10.8	55	120-277 VAC	0.46-0.20	T4A	T4A	—	EFG	EFG	—
VML1X733			347-480 VAC	0.16-0.11						
VML1X734			120-250 VDC	0.46-0.22						
VML1X930	10.8	75	120-277 VAC	0.63-0.27	T4A	T4A	—	EFG	EFG	—
VML1X933			347-480 VAC	0.22-0.16						
VML1X934			120-250 VDC	0.36-0.30						
VML2X1230	13.4	100	120-277 VAC	0.83-0.36	T4	T4	—	EFG	EFG	—
VML2X1233			347-480 VAC	0.29-0.21						
VML2X1234			120-250 VDC	0.83-0.40						
VML2X1530	13.4	120	120-277 VAC	1.00-0.43	T4	T4	—	EFG	EFG	—
VML2X1533			347-480 VAC	0.35-0.25						
VML2X1534			120-250 VDC	1.00-0.48						
VML2X1830	13.4	140	120-277 VAC	1.17-0.51	T4	T4	—	EFG	EFG	—
VML2X1833			347-480 VAC	0.40-0.29						
VML2X1834			120-250 VDC	1.17-0.56						
VML3X2330	25.3	200	120-277 VAC	1.67-0.72	T3C	T4A	—	EFG	EFG	—
VML3X2333			347-480 VAC	0.58-0.42						
VML3X2334			120-250 VDC	1.67-0.80						
VML3X2830	25.3	250	120-277 VAC	2.08-0.90	T3C	T4A	—	EFG	EFG	—
VML3X2833			347-480 VAC	0.72-0.52						
VML3X2834			120-250 VDC	2.08-1.00						
VML2X530 HA	13.4	40	120-277 VAC	0.33-0.14	T4A	T4A	T4A	EFG	EFG	EFG
VML2X533 HA			347-480 VAC	0.12-0.08						
VML2X534 HA			120-250 VDC	0.33-0.16						
VML2X730 HA	13.4	55	120-277 VAC	0.46-0.20	T4A	T4A	T4A	EFG	EFG	EFG
VML2X733 HA			347-480 VAC	0.16-0.11						
VML2X734 HA			120-250 VDC	0.46-0.22						
VML2X930 HA	13.4	75	120-277 VAC	0.63-0.27	T4A	T4A	T4A	EFG	EFG	EFG
VML2X933 HA			347-480 VAC	0.22-0.16						
VML2X934 HA			120-250 VDC	0.63-0.30						
VML3X1230 HA	25.3	100	120-277 VAC	0.83-0.36	T4A	T4A	T4A	EFG	EFG	EFG
VML3X1233 HA			347-480 VAC	0.29-0.21						
VML3X1234 HA			120-250 VDC	0.83-0.40						
VML3X1530 HA	25.3	120	120-277 VAC	1.00-0.43	T4A	T4A	T4A	EFG	EFG	EFG
VML3X1533 HA			347-480 VAC	0.35-0.25						
VML3X1534 HA			120-250 VDC	1.00-0.48						
VML3X1830 HA	25.3	140	120-277 VAC	1.17-0.51	T4A	T4A	T4A	EFG	EFG	EFG
VML3X1833 HA			347-480 VAC	0.40-0.29						
VML3X1834 HA			120-250 VDC	1.17-0.56						

DELIVERED LUMENS										
CATALOG NUMBER	GLASS GLOBE									POLYCARBONATE
	5000K 70CRI LEDS	TYPE 5 WIDE OPTIC	TYPE 3 OPTIC	TYPE 1 OPTIC	ANGLED REFLECTOR	DOME REFLECTOR	GREEN LED	AMBER LED	3000K 80CRI LEDS	CLEAR GLOBE
VML1X5(XX)(YY)	5295	5002	4803	4868	4560	4802	3694	—	4871	5353
VML1X7(XX)(YY)	7101	6708	6441	6528	6116	6440	4030	1890	6532	7179
VML1X9(XX)(YY)	9884	9338	8966	9087	8513	8964	4368	—	9093	9992
VML2X12(XX)(YY)	14046	13305	—	—	12049	12645	7005	2859	12922	14200
VML2X15(XX)(YY)	16359	15496	—	—	14033	14727	7642	—	15050	16538
VML2X18(XX)(YY)	18733	17745	—	—	16070	16865	—	—	17234	18939
VML3X23(XX)(YY)	23090	—	—	—	19807	20787	—	—	21242	—
VML3X28(XX)(YY)	28275	—	—	—	24424	25446	—	—	26013	—





ACCESSORIES



CERTILITE® VM MOUNTING SPLICE BOXES

HUB SIZE	CATALOG NUMBER							
	PENDANT	FLEXIBLE PENDANT	CEILING 4 HUB	CEILING 5 HUB	WALL	CONE TOP	25 DEGREE STANCHION	90 DEGREE STANCHION
3/4"	VMA2B	VMF2B	VMX2B	VMX6B	VMB2B	VMC2B	—	—
1"	VMA3B	VMF3B	VMX3B	VMX7B	VMB3B	VMC3B	—	—
1-1/4"	—	—	—	—	—	—	VMD4B	VMS4B
1-1/2"	—	—	—	—	—	—	VMD5B	VMS5B
M-20	—	—	VMX8B**	VMX9B	—	—	—	—

*VMEZA is used between a ballast tank and an EZ mount-ordered separately.

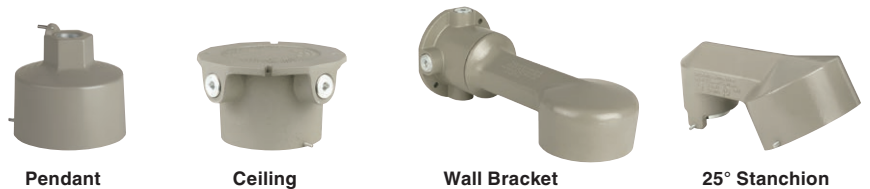
**VMX8B furnished with 3 non-metallic (EEX) plugs.



“EZ” Mount Adapter

For easy fixture relocation or to repair fixture on 'bench top'.

VMEZA adapter is used between a driver tank and EZ mount ordered separately.



MOUNTING BOXES

CATALOG NUMBER				HUB SIZE
PENDANT	CEILING	BRACKET	STANCHION	
EZA2	EZX2	EZB3	—	3/4"
EZA3	EZX3	EZB3	—	1"
—	—	—	EZD4A	1-1/4" / 1/2"*

*1-1/2" furnished with 1-1/2"-1-1/4" reducer and extension.

Competitive Adapters

Designed to ease upgrading of other manufacturer's fixtures to KILLARK LEDs where removal of existing mounting screws and conduit would be difficult and time consuming.

ACCESSORIES

CATALOG NUMBER	DESCRIPTION
VMLXGL	Globe (glass)
VMLXPC	Globe (polycarbonate)
VMLXGRD	Guard
VMLXDR	Dome Reflector
VMLXAR	Angle Reflector
VMFSPC1	120VAC Photocell with FS Style Cover
VMFSPC2	208-277VAC Photocell with FS Style Cover
VMSC10	10ft Stainless Steel Safety Cable with loop grip
HUB2PC120	Field Installed 120VAC Photocell
HUB2PC227	Field Installed 208-277VAC Photocell
HUB2PC347	Field Installed 347VAC Photocell





LIGHTING
VMLX SERIES

HIGH WATTAGE SELF-TESTING BATTERY BACKUP



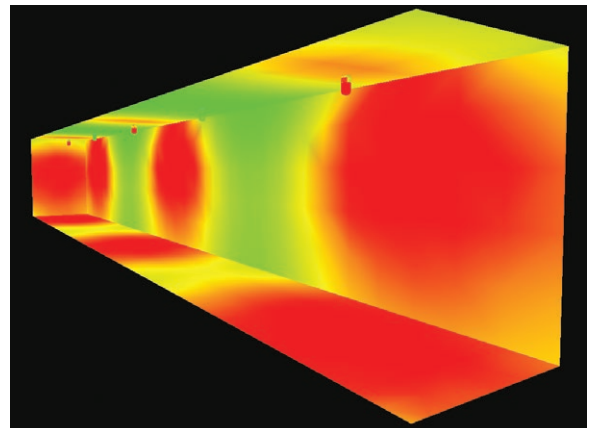
Optional self-testing
emergency battery backup

Electronics Includes:

- Self-diagnostics monitors LED status, LED driver circuit, battery capacity and charger function and displays any fault detection by means of a flashing code
- Self-Test feature automatically runs a 1 minute test once a month and an alternating 30-60 minute test once every 6 months. LED indicator provides visible fault detection and charging status
- User initiated 1, or 90-minute system test feature
- 15 minute re-transfer delay
- Automatic unit transfer in brown-out conditions (below 80% of nominal AC input voltage)
- 90 or 180 minute run time options.

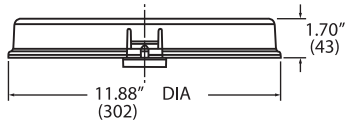
TEST SWITCH INDICATOR STATUS	
LED INDICATORS STATUS	EM DRIVER STATUS/MODE
Solid Green	System OK/AC OK (Self-diagnostic Enabled or Disabled).
Slow Flashing Red, 4s on/1s off	Battery not detected, check battery switch or connection.
Flashing Red, 1s on/1s off	Battery Failure, replace battery.
Flashing Green, 1s on/1s off	Self Diagnostic test underway.
Fast Flashing Red, 0.1s on/0.1s off	Abnormal driver performance, replace driver.
Very Slow Flashing Red, 4s on/4s off	Over temperature.
None. Both LEDs OFF	Normal working in EM mode.
Green/Red alternative flashing, 1s green/1s red	No load or output over voltage protection triggered.

LED Battery Backup Lighting Design

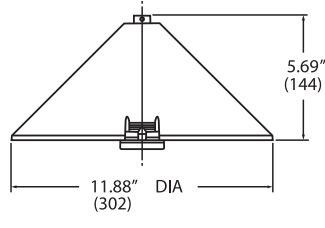




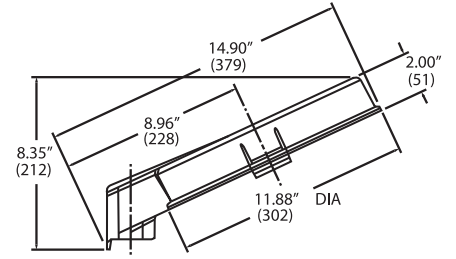
DIMENSIONS



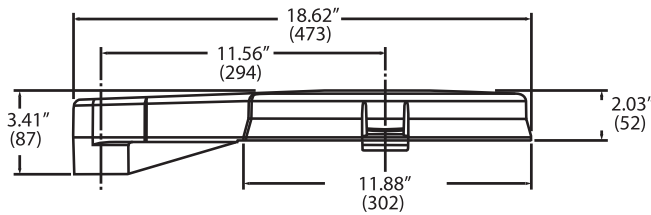
Pendant Mount



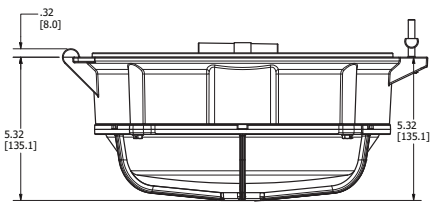
Cone Mount



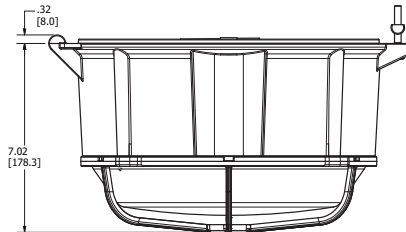
Stanchion(25°) Mount



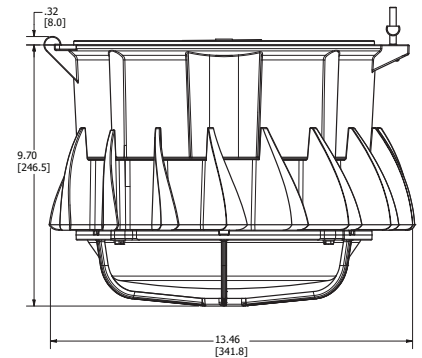
Stanchion(0°) Mount



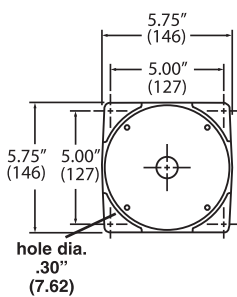
Size 1



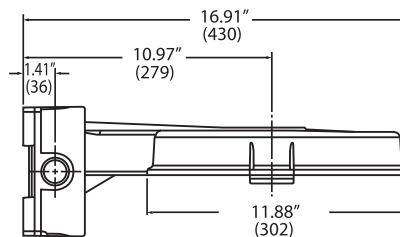
Size 2



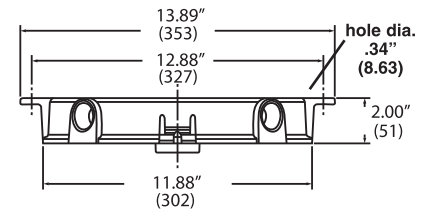
Size 3



Wall Bracket Mount



Ceiling Mount





LIGHTING
VMLX SERIES

CERTiTE V LED

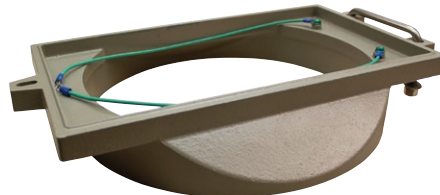
FIXTURE ADAPTERS



VMCHVM-DEEP



VMCHVM



VMGEH2

Class I, Div. 2, Groups A, B, C, D
Class II, Div. 1, Groups E, F, G
Class III
Type 4X



FEATURES-SPECIFICATIONS

Applications

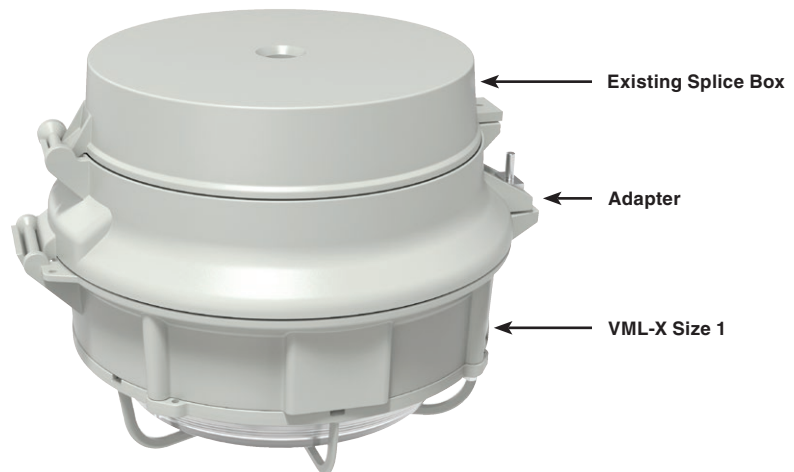
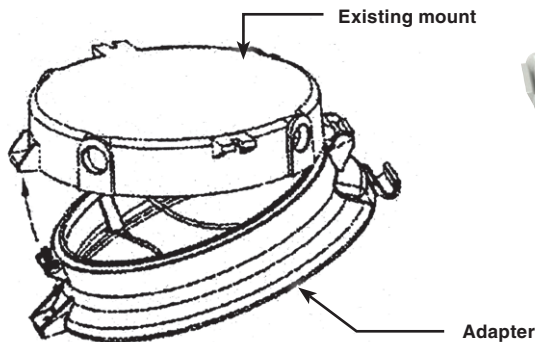
The Killark VM adapters are designed to ease upgrading of other manufacturer's fixtures to KILLARK LEDs where removal of existing mounting screws and conduit would be difficult and time consuming.

Adapters are used with the Killark VML-X fixture and the competitive splice box. The Killark fixtures, when used with the Killark adapters and appropriate competitive splice box, will maintain all hazardous and environmental ratings.

VM SERIES COMPETATIVE ADAPTERS		
CATALOG NUMBER	DESCRIPTION	EXAMPLE OF MODEL UTILIZED OR REPLACED
VMCHVM	Tank adapter to Crouse-Hinds® VM Series mounts	VMV S2 C 050 R5
VMCHVM-DEEP	Tank adapter to CH (70's era wall mount with deep box)	VMV S2 TW 050 R5
VMM2LP	Tank adapter to Appleton® MERCMaster II mounts	LPCL 50 75 J
VMM3KP	Tank adapter to Appleton® MERCMaster III mounts	KPCL 50 75 J5 MT
VMHLDS	Tank adapter to Hazlux®3 mounts	DS015 H040-TGL-P2 E1 F
VMHPP2	Tank adapter mount to Holophane® Petrolux™	PETL 250HP 27 S25 CD
VMGEH2	Tank adapter H2 mount to GE® H2 Filtr-gard™	H2 4 05L 3C GG

Features

- Fixture and competitive mount are certified together
- Baked powder epoxy/polyester finish, electrostatically applied to match the Killark VM tank
- All external hardware – Stainless Steel





EXPLOSION-PROOF – INTRODUCTION & LOGIC

HOSTILE/TE® LED



Class I, Div. 1 & 2, Groups C,D
 Class I, Zones 1 & 2, Groups IIB, IIA
 Class II, Div. 1 & 2, Groups E,F,G
 Class III, Div. 1 & 2
 Suitable for wet locations
 Suitable for Paint Spray Booth
 Marine Rated (US only)
 Type 3, 4, 4X
 Factory Sealed



Certified - File LR11713

FEATURES-SPECIFICATIONS

Features

- Compact Explosion-proof with Traditional Industrial Appearance and Suitability
- Fluted; Dome or Angle Reflectors
- Optional Mounting arrangements including Pendant, Wall, Ceiling, and Stanchion
- EML LED Housings can be retrofitted to existing EZ splice boxes; upgrade from Incandescent, Fluorescent or HID
- Energy Savings – Less than 55 Watts of Power
- LED Array Life – 100,000+ hours with 70% initial lumens
- Long Fixture Life – 50,000 - 55,000 maintenance free hours
- Crisp White Light for Excellent Color Rendering – Chromaticity 5000K (CCT range; approx. 70 CRI)
- Instant on – Including after power interruption
- Solder-LESS LED Board Connections – Vibration Resistant
- Factory Sealed Construction – No external seal required, simply wire mouting cap and thread-in fixture to install
- **Warm LED color option available with 3070**

Materials

- Housing, splice box and guards corrosion resistant copper-free aluminum alloy
- Baked powder epoxy/polyester finish, electorstatically applied for complete, uniform corrosion protection
- All external hardware – Stainless Steel
- Reflectors are aluminum with white finish

Electrical Ratings

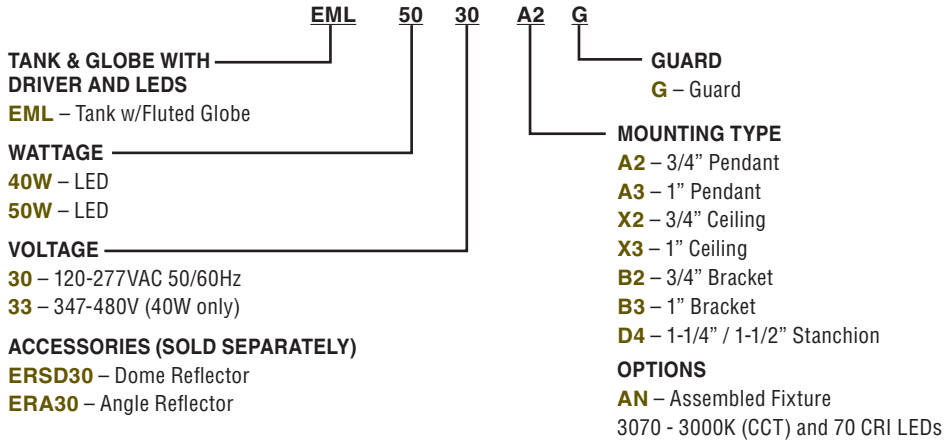
- Ambient suitability -40°C to 55°C
- “World Voltage” 120-277VAC 50/60Hz

Suitable for Paint Spray Booth Applications

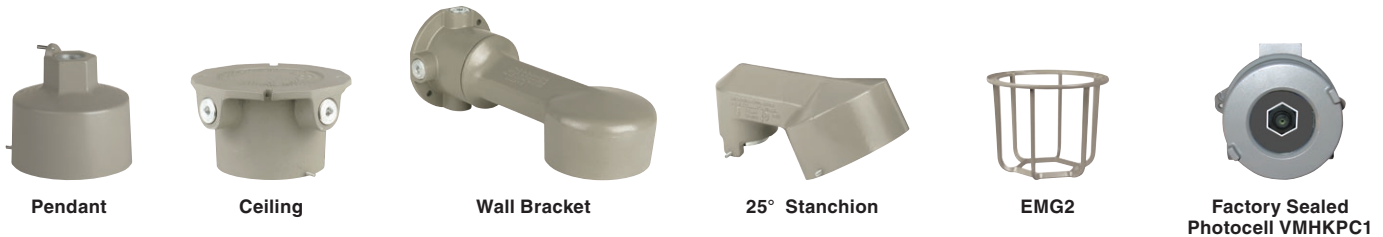


LIGHTING
EML SERIES

EXPLOSION-PROOF – LOGIC, COMPONENTS, AND RATINGS



ORDERING INFORMATION AND AMBIENT SUITABILITY										
CATALOG NO.	WEIGHT LBS./KG	WATTS	VOLTAGE	AMPS	EML FLUTED LUMENS	EMLC CLEAR LUMENS	C1D1/C1Z1		C2D1	
							40°C	55°C	40°C	55°C
EML4030	26.00 / 11.79	40	120-277VAC	0.46-0.16	3479	3750	T6	T6	T4A (EFG)	T4 (EFG)
EML4033			347-480VAC	0.14-0.10						
EML5030		50	120-277VAC	0.43-0.18	5740	5741	T6	T6	T4A (EFG)	T4 (EFG)
TYPICAL WEIGHTS (LBS.) W/STANDARD GLOBE AND GUARD - EML (C) SERIES										
Pendant 29.33			Ceiling 31.79			Wall 33.25		Stanchion 30.94		



EZ MOUNTING BRACKETS				
CATALOG NUMBER				HUB SIZE
PENDANT	CEILING	WALL	STANCHION	
EZA2	EZX2	EZB2	—	3/4"
EZA3	EZX3	EZB3	—	1"
—	—	—	EZD4*	1-1/4" / 1-1/2"*

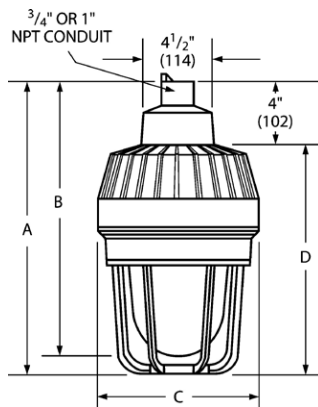
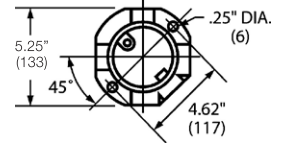
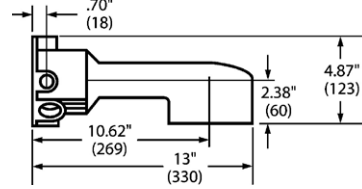
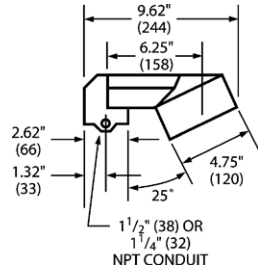
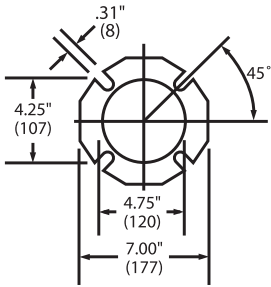
* 1-1/2" furnished with 1-1/2" - 1-1/4" reducer

EML - EMLC LED ACCESSORIES	
DESCRIPTION	CATALOG NUMBER
Guard	EMG2
Dome Reflector	ERSD30
Angle Reflector	ERA30
C1D1 C2D1 N4X Photocell 120VAC	VMHKPC1
C1D1 C2D1 N4X Photocell 208-277VAC	VMHKPC2
Replacement Fluted Globe & Support	EMGS3
Replacement Clear Globe & Support	EMGS2
Adapter to old Killark "H" Series or Crouse Hinds®	EAC/EACH

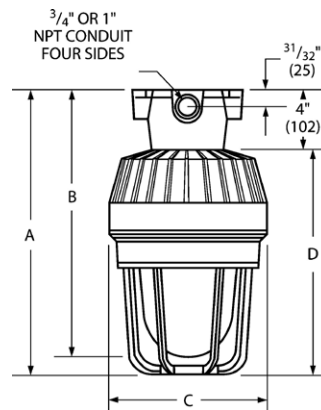




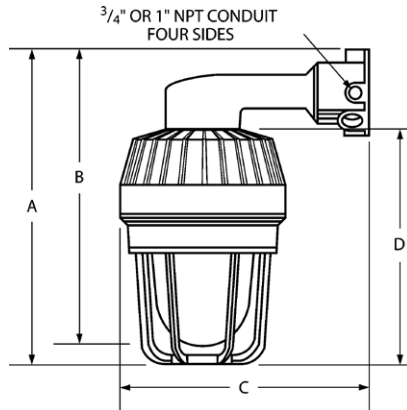
EXPLOSION-PROOF – DIMENSIONS & WEIGHTS



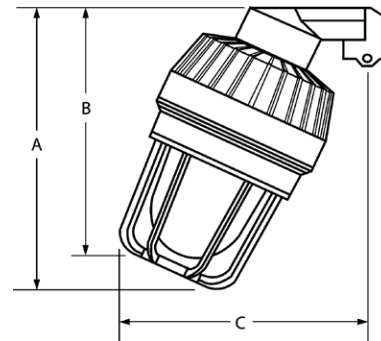
Pendant



Ceiling



Wall



25° Stanchion

EML(C) DIMENSIONS

TYPE	A	B	C	D
PENDANT	15-15/16" (404)	15-1/16" (382)	8-13/16" (224)	11-15/16" (303)
CEILING	15-15/16" (404)	15-1/16" (382)	8-13/16" (224)	11-15/16" (303)
WALL	16-13/16" (426)	15-15/16" (404)	15" (379)	11-15/16" (303)
STANCHION	15-1/8" (384)	14" (356)	13-1/2" (343)	



LIGHTING
EZL SERIES

EXPLOSION-PROOF – INTRODUCTION & LOGIC

HOSTILE^{ELITE} LED



Class I, Div. 1 & 2, Groups C,D
Class I, Zones 1 & 2, Groups IIB, IIA
Class II, Div. 1 & 2, Groups E,F,G
Class III, Div. 1 & 2
Suitable for wet locations
Suitable for Paint Spray Booth
Marine Rated (US only)
Type 3, 4, 4X
Factory Sealed

 Certified - File LR11713

FEATURES-SPECIFICATIONS

Features

- Explosion-proof with Traditional Industrial Appearance and Suitability
- Mounting choice – Pendant, ceiling, 25° stanchion or 90° wall mount, all with “wireless” design that allows fast, easy fixture installation or removal for maintenance.
- Accessories – Available with or without guard, standard dome or angle reflector
- EZL LED Housings can be retrofitted to existing EZ splice boxes; upgrade from Incandescent, Fluorescent or HID
- Energy Savings – Less than 130 Watts of Power
- LED Array Life – 100,000+ hours with 70% initial lumens
- Long Fixture Life – 50,000 - 55,000 maintenance free hours
- Crisp White Light for Excellent Color Rendering – Chromaticity 5000K (CCT range; approx. 70 CRI)
- Instant on – Including after power interruption
- Solder-LESS LED Board Connections – Vibration Resistant
- Factory Sealed Construction – No external seal required, simply wire mouting cap and thread-in fixture to install
- **Warm LED color option available with 3070**

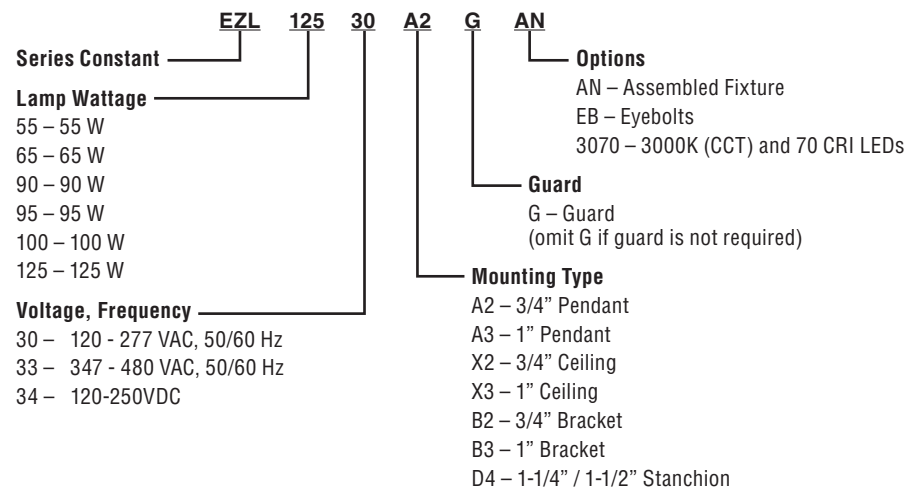
Materials

- Housing, splice box, and guards corrosion resistant copper-free aluminum alloy
- Baked powder epoxy/polyester finish, electorstatically applied for complete, uniform corrosion protection
- All external hardware – Stainless Steel
- Reflectors are aluminum with white finish

Electrical Ratings

- Ambient suitability -40°C to 55°C
- “World Voltage” 120-277VAC 50/60Hz

CATALOG NUMBER LOGIC





EXPLOSION PROOF – ORDERING INFORMATION, COMPONENTS & RATINGS



ORDERING INFORMATION AND AMBIENT SUITABILITY

CATALOG NO.	WEIGHT LBS./KG	WATTS	VOLTAGE	AMPS	DELIVERED LUMENS	C1D1/C1Z1		C2D1	
						40°C	55°C	40°C	55°C
EZL5530	36 / 16.33	55	120-277VAC	0.46/0.20	5596	T6	T6	EFG	EFG
EZL6530		65	120-277VAC	0.54/0.23	6515	T6	T6	EFG	EFG
EZL9030		90	120-277VAC	0.75/0.32	7818	T6	T6	EFG	EFG
EZL9530		95	120-277VAC	0.79/0.34	9121	T6	T6	EFG	EFG
EZL10030		100	120-277VAC	0.83/0.36	10903	T6	XXX	EFG	XXX
EZL12530		125	120-277VAC	1.04/0.45	12720	T6	XXX	EFG	XXX

MOUNTING BOXES

HUB SIZE	CATALOG NUMBER			
	PENDANT	CEILING	BRACKET	STANCHION
3/4"	EZA2	EZX2	EZB2	—
1"	EZA3	EZX3	EZB3	—
1-1/4"/1-1/2"	—	—	—	EZD4



REFLECTORS

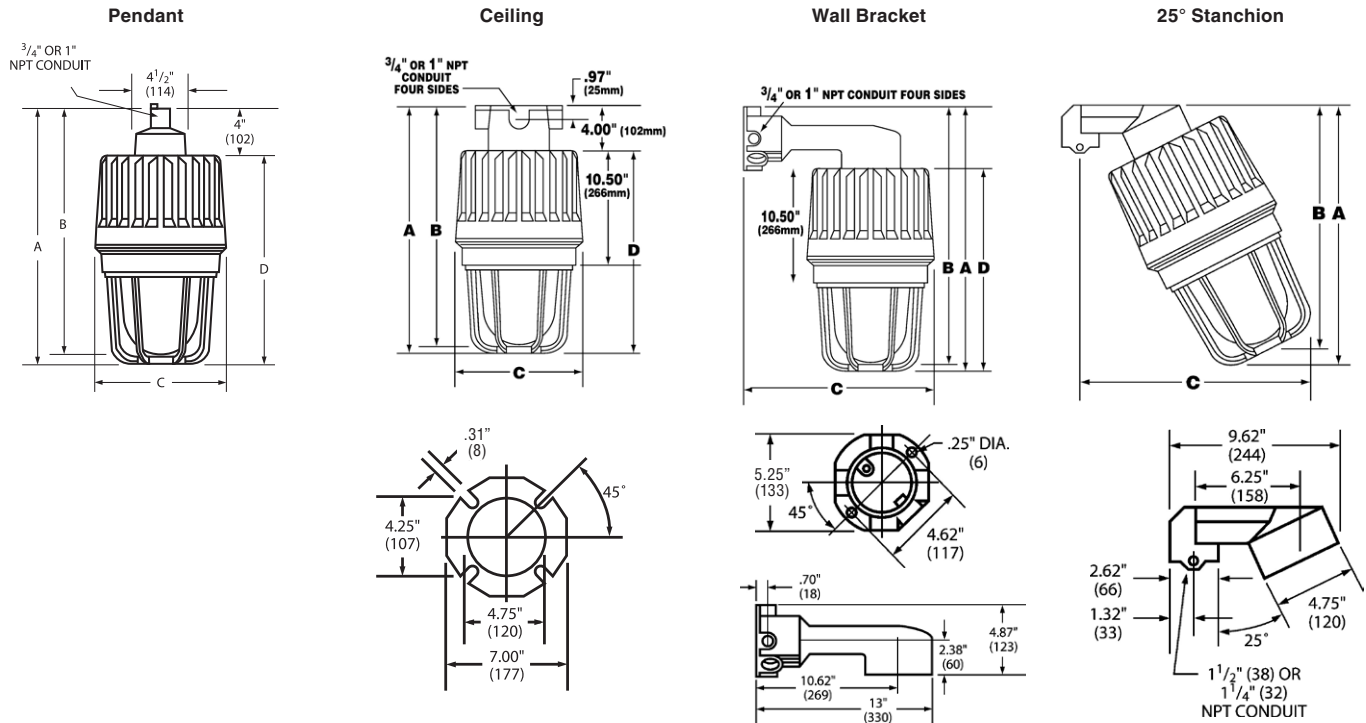
CATALOG NUMBER	DESCRIPTION
VMPSD40	Standard dome. fiberglass reinforced polyester
VMPA40	30° Angle fiberglass reinforced polyester
HRD400	Deep dome. Aluminum with white finish
HRD400ALZ	Deep dome with specular anaodized finish





LIGHTING EZ SERIES

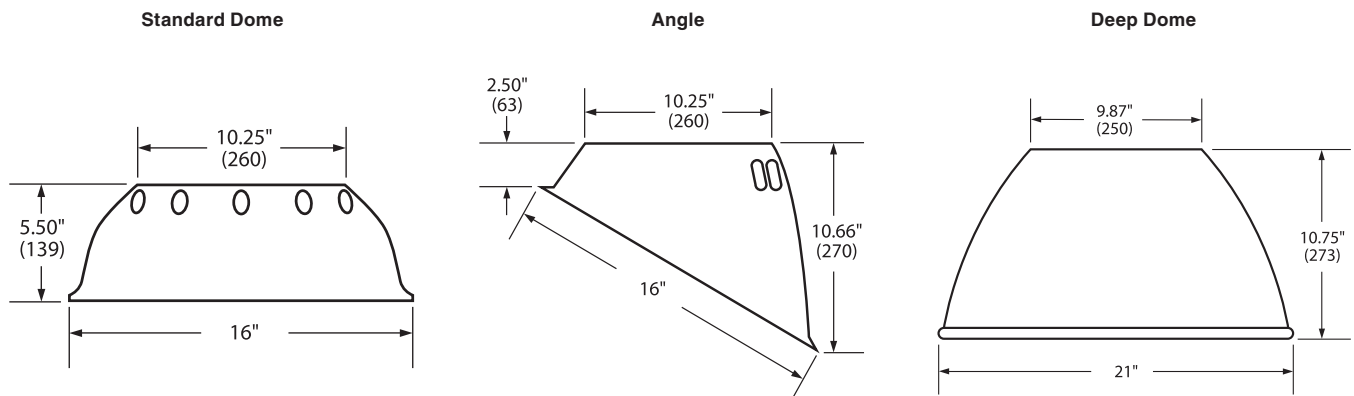
DIMENSIONS



MOUNTING DIMENSIONS

PENDANT				CEILING				BRACKET				STANCHION		
A	B	C	D	A	B	C	D	A	B	C	D	A	B	C
22"	21-1/4"	11-1/4"	18"	22"	21-1/4"	11-1/4"	18"	22-7/8"	22-1/8"	16-3/4"	18"	24-7/8"	24"	19-13/16"
(558)	(539)	(285)	(457)	(558)	(539)	(285)	(457)	(580)	(561)	(425)	(457)	(631)	(609)	(503)

Reflector Dimensions





FIXTURE ADAPTERS

HOSTILE/ITE® LED



Class I, Div. 1 & 2, Group D
Class I, Zones 1 & 2, Groups IIA
Class II, Div. 1 & 2, Groups E,F,G
Class III

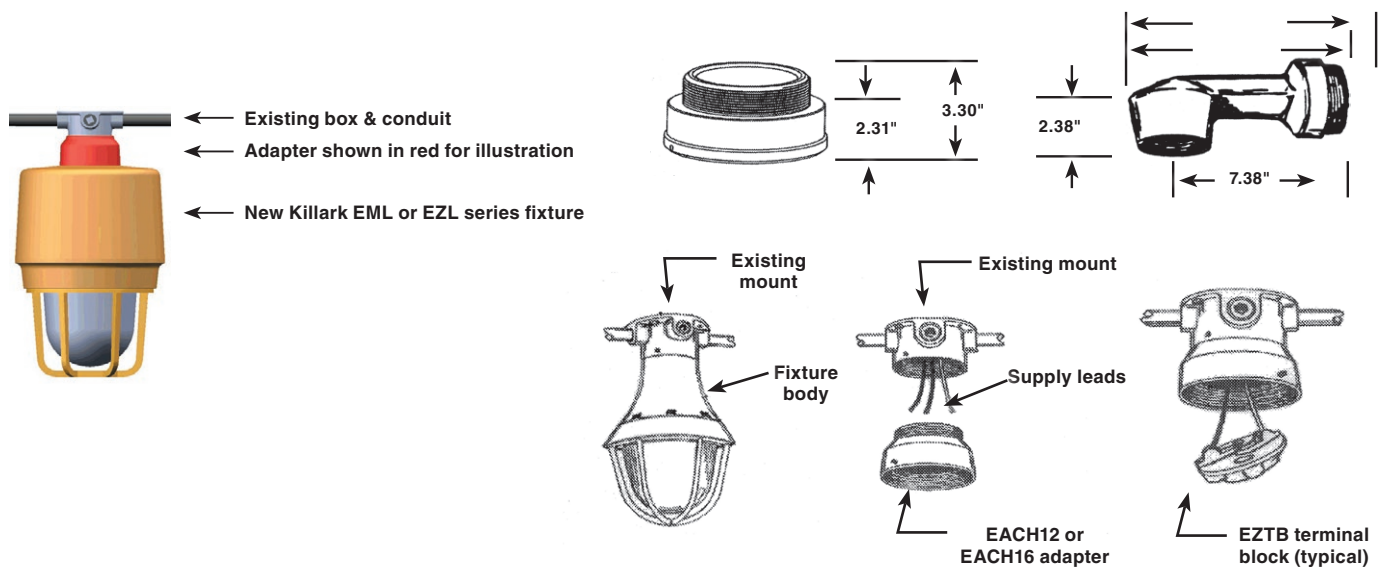
Certified E10514

FEATURES-SPECIFICATIONS

Features

- Setscrews permit secure adapter attachment into old mounting box and to new fixture
- Converted fixtures may be easily removed for service using the Killark EZ mounting system. Wire terminals are included in the adapter (EZTB Terminal Block)

EAC / EZBA FIXTURE ADAPTERS		
CATALOG NUMBER	DESCRIPTION	EXAMPLE OF MODEL UTILIZED OR REPLACED
EAC	Killark H series Ceiling or Wall	HXG-2-125 Fixture
EACH12	Crouse old style Ceiling Mount with lamp socket in adapter ring between fixture body and a GUF 12 pitch box	GUF box w/Set Screw
EZBA12	Crouse old style Wall Mount, old style Arm with integral lamp socket (socket in fixture in newer models) attached to GUF 12 pitch mounting box. EZBA12 includes arm	GUF box w/Set Screw
EACH16	Crouse newer style ceiling or wall fixtures w/lamp socket in fixture body; mounted to EV series 16 pitch threaded box; adapter fits in ceiling box or existing arm attached to wall fixture	EVA26/EV22 Box; EVBX240
EAAP-C2	Appleton Code-Master 2	CLC5075





LIGHTING
FLOOD LIGHTING





PETROBRIGHT® LED



**Class I, Div. 2, Groups A,B,C,D
Class II, Div. 1&2, Groups EFG
Class III**

**Suitable for wet locations
Marine Rated (US Only)**



Type 3, 4X



IP66

Tamb -50°C to +65°C



Zone 2 and Zone 21 areas

Ex ec IIC T5/T4 Gc

Ex tb IIIC T95°C Db, IP66



STANDARD VERSION

-40°C<Tamb<+65°C<120W

-40°C<Tamb<+40°C/+55°C>120W

BATTERY BACKUP VERSION

-20°C<Tamb<+50°C



Certified File No: 80004509

ATEX Certificate No: QPS 21 ATEX

7002X and QPS 21ATEX 5004X

IECEx Certificate No: IECEx QPS

19.0031X

FEATURES-SPECIFICATIONS

Features

- Global Certifications with Quad Approvals for NEC / CEC / IECEx / ATEX
- Easy Install with clamshell splice box for unimpeded wiring access
- Vast range of optics including spot, wide, and perimeter options available
- Intelligent battery backup with built in self-monitoring and testing
- 5000K color temperature is standard with options for 3000K, Amber, and Green
- Light weight at 25lbs / 11.2kgs

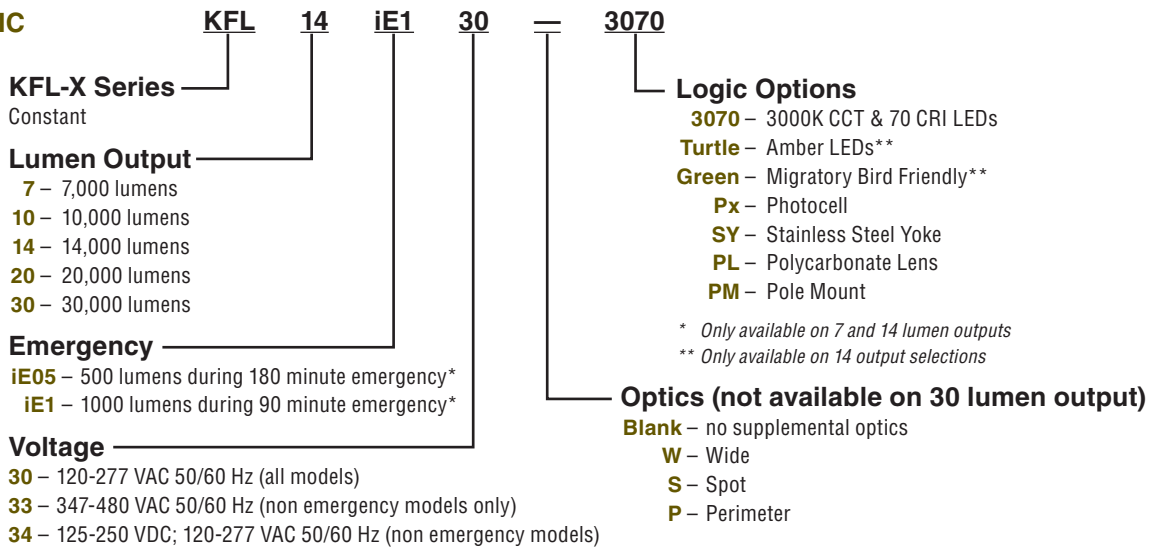
Materials

- Housing: Copper-Free Aluminum
- Lens: Standard glass with polycarbonate available as option
- External Hardware: 316 Stainless Steel
- Trunnion: Standard Copper-Free Aluminum with Stainless steel available as an option
- Gasket: High temperature rated solid silicon
- Paint: Powder epoxy / polyester

Electrical Ratings:

- 125 thru 250 VDC
- 120 thru 277 VAC, 50/60Hz
- 347 thru 480 VAC, 50/60Hz
- Supplemental 20KA/10KV Surge Protection is standard (for 120-277 VAC models)
- 10KA/10KV Surge Protection (for 347-480 VAC)
- Battery Duration: 90mins 10W, 180 mins 5W
- Terminal Size: 8AWG

CATALOG LOGIC





LIGHTING
KFL-X SERIES

OPTIONS

LED COLOR OPTIONS



5000K

Crisp white light maximizes the output of the LEDs with a color that is equivalent to noontime sun.



3000K

Warm white light that is similar in color to a soft white incandescent.



AMBER

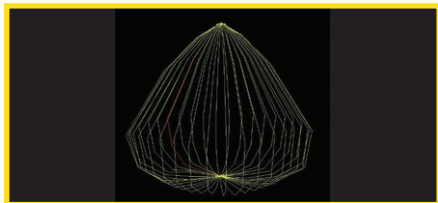
Pure Amber LEDs have zero energy in the blue light spectrum that is designed as a marine life friendly option for coastal regions.



GREEN

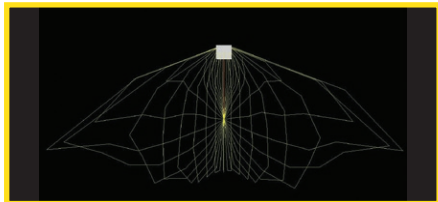
Pure Green LEDs are designed to avoid using wavelengths that disorientate and sometimes attract nocturnal migrating birds.

OPTIC OPTIONS



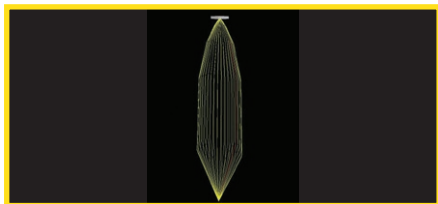
Normal

Delivers evenly distributed light, perfect for a general area lighting with normal mounting heights.



Perimeter

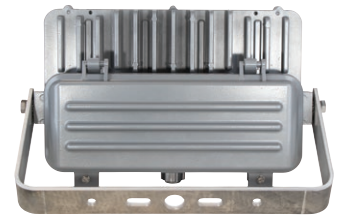
This optic was designed specifically for the needs of perimeter lighting. This asymmetric beam pattern offers a low and wide distribution that is perfect for illuminating fence lines



Spot

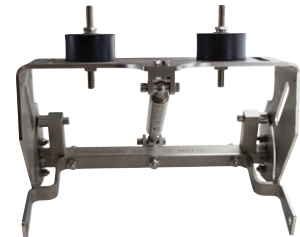
Offers high lumen density at taller mounting heights, perfect for focused lighting areas.

MOUNTING OPTIONS



Yoke

Standard mounting for KFL-X floodlight



Jib Crane

Auto-leveling with shock-absorber, and vibration isolators designed for the demands of luminaires mounted to jib cranes

INTELLIGENT BATTERY BACKUP

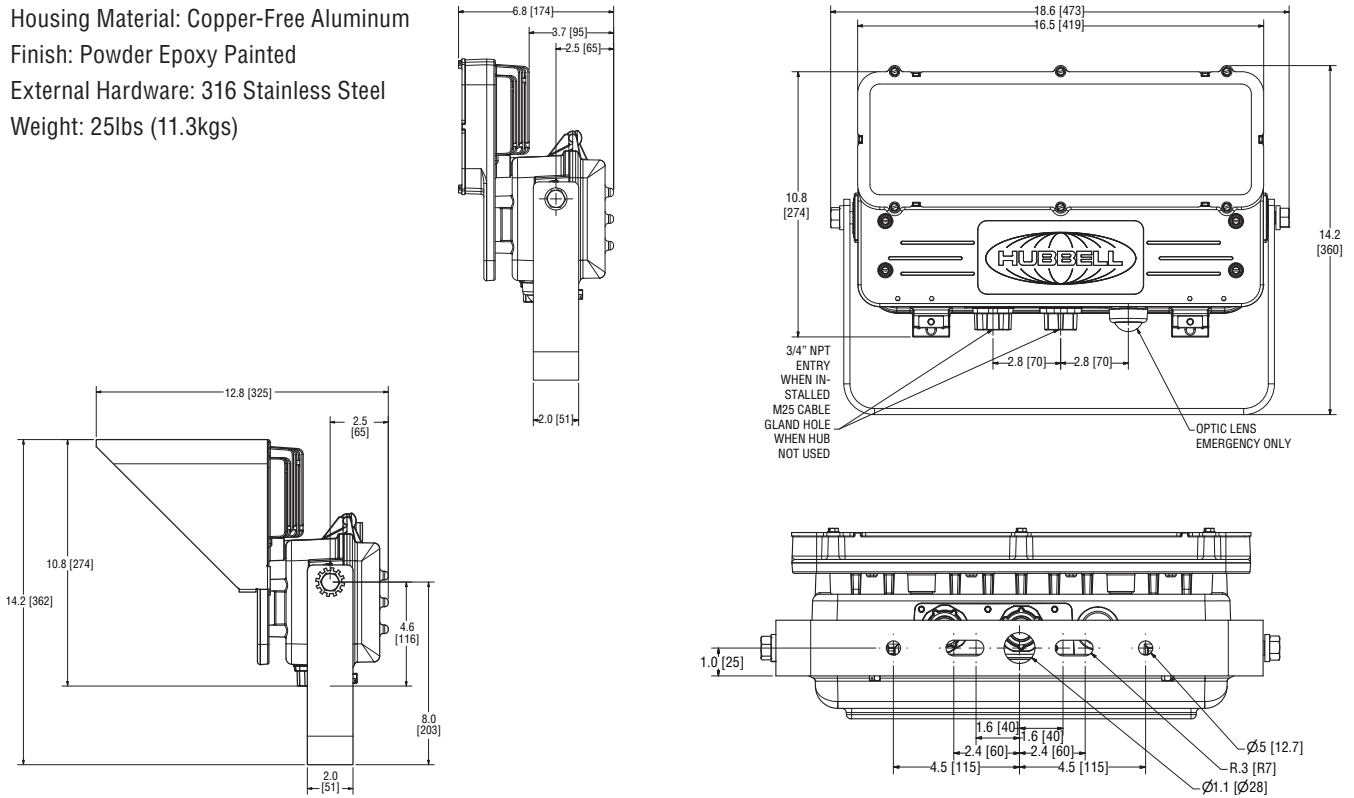
- Self-diagnostics monitors LED luminaire status
- Self-Test feature automatically runs a 1 month and bi-yearly functional test
- LED indicator provides visible fault detection and charging status
- User initiated 1, or 90-minute system test feature
- 15 minute re-transfer delay
- Automatic unit transfer in brown-out conditions (below 80% of nominal AC input voltage)





DIMENSIONS

- Housing Material: Copper-Free Aluminum
- Finish: Powder Epoxy Painted
- External Hardware: 316 Stainless Steel
- Weight: 25lbs (11.3kgs)



ORDERING INFORMATION AND AMBIENT SUITABILITY						C1D2			C1D2 SIMULTANEOUS			C2D1			IEC ZONE 2			IEC ZONE 21		
CATALOG NO.	WEIGHT LBS./KG	WATTS	VOLTAGE	AMPS	DELIVERED LUMENS	40°C	55°C	65°C	40°C	55°C	65°C	40°C	55°C	65°C	40°C	55°C	65°C	40°C	55°C	65°C
KFL730	25 lbs / 11.3 kg	60	120-277	0.50-0.21	7948	T5	T4A	T4	T3C	T3C	T4	T3C	T3C	T3C	T5	T4	T3	160°C	160°C	160°C
KFL1030		90	120-277	0.8-0.3	10210	T5	T4A	T4	T3C	T3C	T4	T3C	T3C	T3C	T5	T4	T3	160°C	160°C	160°C
KFL1430-TURTLE		104	120-277	0.9-0.4	4401	T4A	T4A	—	T4A	T4A	—	T4A	T4A	—	T4	T4	—	160°C	160°C	—
KFL1430-GREEN		137		1.1-0.5	9702	T4A	T4A	—	T4A	T4A	—	T4A	T4A	—	T4	T4	—	160°C	160°C	—
KFL1430		120	120-277	1.0-0.4	15140	T5	T4A	T4	T3C	T3C	T4	T3C	T3C	T3C	T5	T4	T3	160°C	160°C	160°C
KFL2030		180	120-277	1.5-0.7	21370	T4	T3C	—	T3C	T3C	—	T3C	T3C	—	T4	T3	—	160°C	160°C	—
KFL3030		280	120-277	2.3-1.0	28940	T4	T3C	—	T3B	—	—	T3B	—	—	T4	T3	—	165°C	—	—

ORDERING INFORMATION AND AMBIENT SUITABILITY					DELIVERED LUMENS		C1D2		C1D2 SIMULTANEOUS		C2D1		IEC ZONE 2		IEC ZONE 21	
CATALOG NO.	WEIGHT LBS./KG	WATTS	VOLTAGE	AMPS	NORMAL OPERATION	DURING BATTERY BACKUP	40°C	50°C	40°C	50°C	40°C	50°C	40°C	50°C	40°C	50°C
KFL7IE130	25 lbs / 11.3 kg	60	120-277	0.50-0.21	7948	1000	T5	T4A	T3C	T3C	T3C	T3C	T5	T4	160°C	160°C
KFL7IE0530		60	120-278	0.50-0.22	7948	500	T6	T4A	T3C	T3C	T3C	T3C	T5	T4	160°C	160°C
KFL14IE130		120	120-277	0.8-0.3	15140	1000	T5	T4A	T3C	T3C	T3C	T3C	T5	T4	160°C	160°C
KFL14IE0530		120	120-278	0.8-0.4	15140	500	T6	T4A	T3C	T3C	T3C	T3C	T5	T4	160°C	160°C



FEATURES

- Steel construction
- Available for 2, 3, or 4 luminaires
- Works with 2" pole tenon (2.38"/60.5mm O.D.)
- Painted with textured dark bronze



KFS-6
Slipfitter



KFCB
Cross Arm Mount



4041
Tenon Fitting



KFWB
Wall/Pipe Bracket



VMSC10
Safety Cable

KFL MOUNTS AND ACCESSORIES	
CATALOG NUMBER	DESCRIPTION
KFS-6	Steel Slipfitter for 2" Pipe (2-3/8" o.d.) Tenon. Slips 3.75" Over Pipe
KFCB	Heavy Duty Cast-Iron Crossarm Fitting for Horizontal Trunnion
KFWB	Heavy Duty Wall Mount and/or Pipe Clamp Fitting Clamps 2" Pipe (2-3/8" o.d.) Through 2-1/2"
K4040	Heavy Duty Steel Wall Bracket. (Must be with KFCB Crossarm Fitting)
4041	Heavy Duty Steel Wall Bracket 2" Pipe (2-3/8" o.d.) Tenon Fitting. Uses with KFS-6
VMSC10	10' Stainless Steel Safety Cable with loop grip
KFLX-DARK	Visor that blocks vertical light when mounting at an angle is at or below 45°
KFLX-GUARD	Wire Guard, 316 Stainless Steel
SSC01-000009	Swinging Jib Crane Assembly



C1D2 FLOOD – INTRODUCTION & LOGIC

PETROBRIGHT® LED



Class I, Div. 2, Groups A, B, C, D
Class I, Zone 2, IIC, IIB, IIA
Class II, Div. 1 & 2, Groups E, F, G
Class III
 Suitable for wet locations
 Marine Rated (US only)
 Type 3, 4X
 IP66



IEC Ex Rated Model
Zone 2 and Zone 21 areas
Ex nA IIC T6...T3, Gc
Ex tb IIC T105°C, Db
Tamb -50°C < Ta < +55°C, IP66



IECEx Certificate
QPS 15.0011

ATEX Certificate
CML 15ATEX4079X (nA) &
CML 15ATEX3080X (tb)



File No: LR11713

FEATURES-SPECIFICATIONS

Features

- Crisp White Light for Excellent Color Rendering – Chromaticity 5000K (CCT); approx. 70 CRI
- Energy Savings – High lumens per watt
- LED Array Life – 100,000+ hours with 70% initial lumens
- Long Fixture Life – 50,000 - 55,000 maintenance free hours
- Instant On – Including after power interruption
- Solder-LESS LED Board Connections – Vibration Resistant
- Standard fixture is supplied with dual M20 slip holes with 3/4" NPT hub adapters with one plugged
- **Warm LED color option available with 3070**

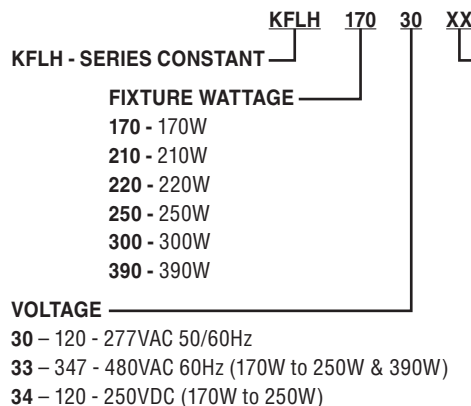
Materials

- Body and lens frame corrosion resistant copper-free aluminum alloy with baked powder epoxy/polyester finish, electrostatically applied for complete, uniform corrosion protection
- All external hardware – stainless steel
- Thermal shock and impact resistant glass lens (Polycarbonate available)
- High temperature silicone gasketing
- Trunion heavy gauge 316 stainless steel

Electrical Ratings

- Ambient suitability -40°C to 55°C up to 250W to -50°C for non-hazardous applications
- World Voltage 120 – 277VAC 50/60Hz

CATALOG NUMBER LOGIC



- OPTIONS**
- PL - Polycarbonate Lens**
 - F - Single Fuse** (Not for use in Canada)
 - FF - Double Fuse** (Not for use in Canada)
 - TBL - Terminal Blocks** **LOOPING**
 - 3070 - 3000K (CCT) and 70 CRI LEDs**
 - TURTLE - Wildlife Friendly Amber LEDs**
 - AMBER - PC Amber (Phosphor Converted) LEDs**

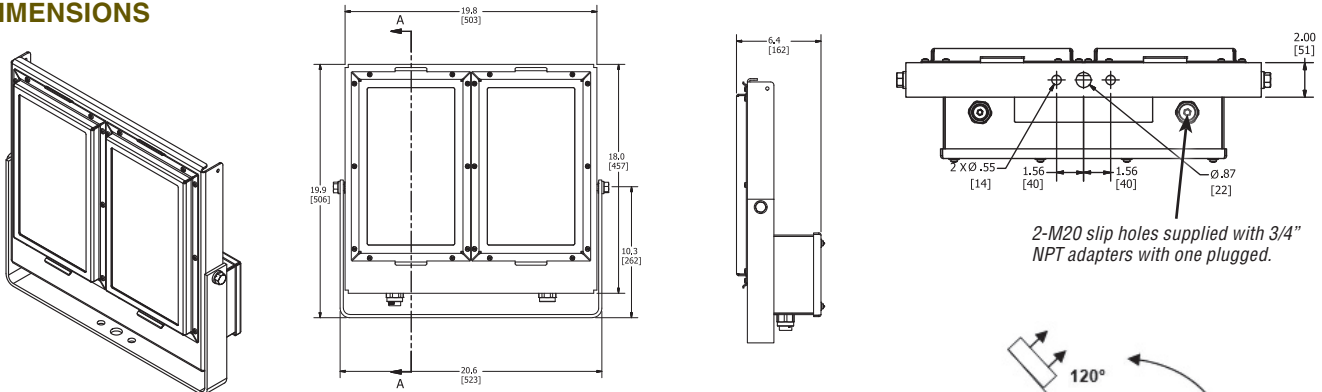


LIGHTING KFLH SERIES

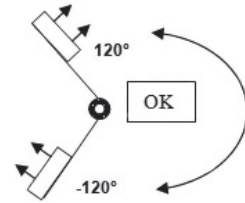
C1D2 FLOOD – ORDERING INFORMATION & TECHNICAL DATA

ORDERING INFORMATION AND AMBIENT SUITABILITY						C1D2		C1D2 SIMULTANEOUS		C2D1		IEC ZONE 2		IEC ZONE 21	
CATALOG NO.	WEIGHT LBS./KG	WATTS	VOLTAGE	AMPS	LUMENS	40°C	55°C	40°C	55°C	40°C	55°C	40°C	55°C	40°C	55°C
KFLH17030	25.00 / 11.3	170	120-277VAC	1.46-0.63	21620	T4A	T4	T4	T3C	T4	T3C	T4	T4	T100°C	T100°C
KFLH17033			347-480VAC	0.51-0.36											
KFLH17034			120-250VDC	1.46-0.56											
KFLH21030		210	120-277VAC	1.75-0.75	21220	T4A	T4	T4	T3C	T4	T3C	T4	T4	T100°C	T100°C
KFLH21033			347-480VAC	0.61-0.43											
KFLH21034			120-250VDC	1.75-0.68											
KFLH22030		220	120-277VAC	1.88-0.81	26970	T4A	T4	T4	T3C	T4	T3C	T4	T4	T100°C	T100°C
KFLH22033			347-480VAC	0.65-0.47											
KFLH22034			120-250VDC	1.88-0.73											
KFLH25030		250	120-277VAC	2.17-0.94	30950	T4A	T4	T4	T3C	T4	T3C	T4	T4	T100°C	T100°C
KFLH25033			347-480VAC	0.75-0.54											
KFLH25034			120-250VDC	2.17-0.85											
KFLH30030		300	120-277VAC	2.48-1.07	37030	T4A	—	—	—	—	—	T4	—	T110°C	—
KFLH39030		390	120-277VAC	3.30-1.43	40410	T3C	—	—	—	—	—	T3	—	T110°C	—

DIMENSIONS



2-M20 slip holes supplied with 3/4" NPT adapters with one plugged.



KFLH MOUNTS AND ACCESSORIES

CATALOG NUMBER	DESCRIPTION
KFS-6	Steel Slipfitter for 2" Pipe (2-3/8" o.d.) Tenon. Slips 3.75" Over Pipe.
KFCB	Heavy Duty Cast-Iron Crossarm Fitting for Horizontal Trunnion
KFWB	Heavy Duty Wall Mount and/or Pipe Clamp Fitting Clamps 2" Pipe (2-3/8" o.d.) Through 2-1/2" Pipe (2-7/8" o.d.)
K4040	Heavy Duty Steel Wall Bracket. (Must be with KFCB Crossarm Fitting)
4041	Heavy Duty Steel Wall Bracket 2" Pipe (2-3/8" o.d.) Tenon Fitting. Use with KFS-6
KFLG	Wire Guard, 316 Stainless Steel (order 2 per fixture)
VMSC10	10' Stainless Steel Safety Cable with loop grip
KFLH-DARK	Dark Sky Visor, White Painted Aluminum
KFLH-DOOR	Replacement Internal Reflector and Lens Assembly (order 2 per fixture as required)



KFS-6 Slipfitter



KFCB Cross Arm Mount



4041 Tenon Fitting

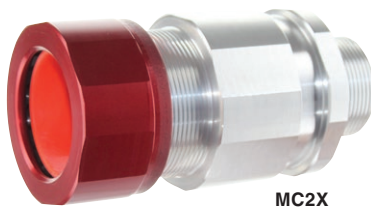


K4040 Wall Bracket



KFWB Wall/Pipe Bracket

CABLE GLAND ORDERING OPTIONS



MC2X

CATALOG NUMBER	ENTRY THREAD SIZE (NPT)	CABLE ACCEPTANCE DETAILS	
		DIAMETER 'C'	
		MIN.	MAX.
MC2X1B	1/2"	0.51" (13.0)	0.63" (16.0)
MC2X1C	1/2"	0.60" (15.2)	0.79" (20)
MC2X2	3/4"	0.73" (18.5)	1.00" (25.4)

For entire series, please see Section F.



C1D2 FLOOD – INTRODUCTION & LOGIC

PETROBRIGHT® LED



Class I, Div. 2, Groups A, B, C, D
Class I, Zone 2, IIC, IIB, IIA
Class II, Div. 1 & 2, Groups E, F, G
Class III
Suitable for wet locations
Marine Rated (US only)
Type 3, 4X
IP66



cCSAus File No: LR11713



IEC Ex Rated Model (w/ IEX suffix)
Zone 2 and Zone 21 areas
Ex nA IIC T6...T3, Gc
Ex tb IIC T105°C Db
Tamb -50°C < Ta < +55°C, IP66



IECEX Certificate
QPS 15.0011

ATEX Certificate
CML 15ATEX4079X (nA) &
CML 15ATEX3080X (tb)

FEATURES-SPECIFICATIONS

Features

- Crisp White Light for Excellent Color Rendering – Chromaticity 5000K (CCT); approx. 70 CRI
- Energy Savings – High lumens per watt
- LED Array Life – 100,000+ hours with 70% initial lumens
- Long Fixture Life – 50,000 - 55,000 maintenance free hours
- Instant On – Including after power interruption
- **Warm LED color option available with 3070**
- Solder-LESS LED Board Connections – Vibration Resistant
- Standard fixture is supplied with dual M20 slip holes with 3/4" NPT hub adapters with one plugged

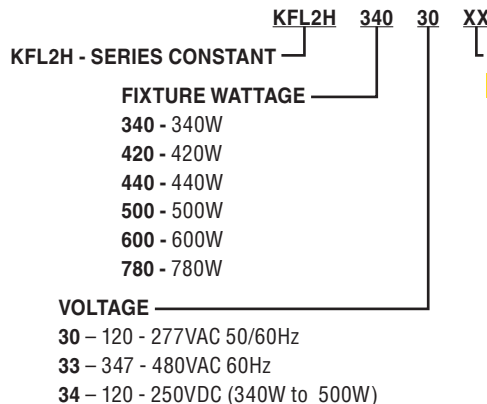
Materials

- Body and lens frame corrosion resistant copper-free aluminum alloy with baked powder epoxy/polyester finish, electrostatically applied for complete, uniform corrosion protection
- All external hardware – stainless steel
- Thermal shock and impact resistant glass lens (Polycarbonate available)
- High temperature silicone gasketing
- Trunnion heavy gauge 316 stainless steel

Electrical Ratings

- Ambient suitability -40°C to 55°C up to 500W to -50°C for non-hazardous applications
- World Voltage 120 – 277VAC 50/60Hz

CATALOG NUMBER LOGIC



OPTIONS

- PL - Polycarbonate Lens**
- F - Single Fuse (Not for use in Canada)**
- FF - Double Fuse (Not for use in Canada)**
- TBL - Terminal Blocks LOOPING**
- IEX - IEXEx includes TBL & External ground**
- 3070 - 3000K (CCT) and 70 CRI LEDs**
- TURTLE - Wildlife Friendly Amber LEDs**
- AMBER - PC Amber (Phosphor Converted) LEDs**



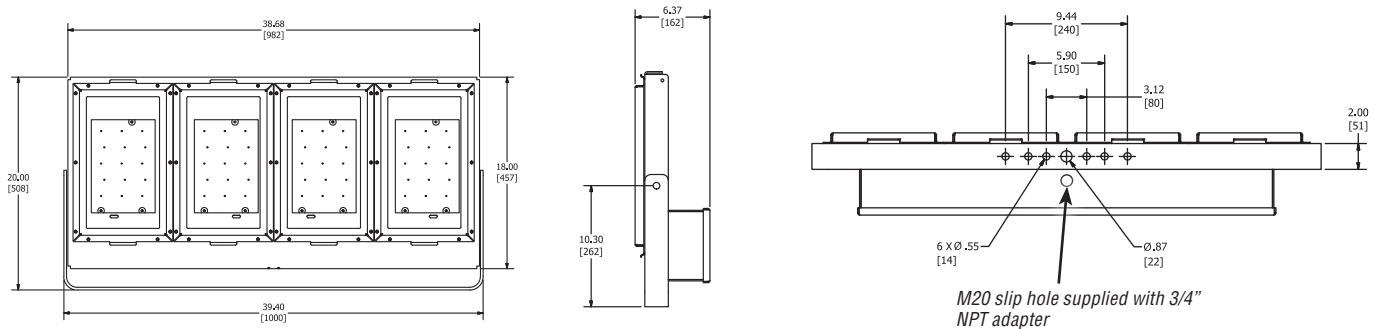
LIGHTING

KFL2H SERIES

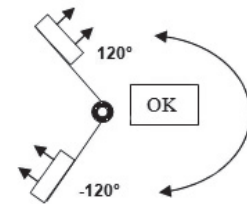
C1D2 FLOOD – ORDERING INFORMATION & TECHNICAL DATA

ORDERING INFORMATION AND AMBIENT SUITABILITY					C1D2		C1D2 SIMULTANEOUS		C2D1		IEC ZONE 2		IEC ZONE 21			
CATALOG NO.	WEIGHT LBS./KG	WATTS	VOLTAGE	AMPS	LUMENS	40°C	55°C	40°C	55°C	40°C	55°C	40°C	55°C	40°C	55°C	
KFL2H34030	50.00 / 22.6	340	120-277VAC	2.92-1.26	43240	T4A	T4	T4	T3C	T4	T3C	T4	T4	T85°C	T100°C	
KFL2H34033			347-480VAC	1.02-0.72												
KFL2H34034			120-250VDC	2.92-1.12												
KFL2H42030		420	420	120-277VAC	3.50-1.50	42440	T4A	T4	T4	T3C	T4	T3C	T4	T4	T85°C	T100°C
KFL2H42033				347-480VAC	1.22-0.86											
KFL2H42034				120-250VDC	3.50-1.36											
KFL2H44030		440	440	120-277VAC	3.76-1.62	53940	T4A	T4	T4	T3C	T4	T3C	T4	T4	T85°C	T100°C
KFL2H44033				347-480VAC	1.30-0.94											
KFL2H44034				120-250VDC	3.76-1.46											
KFL2H50030		500	500	120-277VAC	4.34-1.88	61900	T4A	T4	T4	T3C	T4	T3C	T4	T4	T85°C	T100°C
KFL2H50033				347-480VAC	1.50-1.08											
KFL2H50034				120-250VDC	4.34-1.70											
KFL2H60030	600	600	120-277VAC	4.96-2.14	74060	T4A	T4	—	—	—	—	T4	T4	T85°C	T100°C	
KFL2H78030	780	780	120-277VAC	6.60-2.86	80820	T4	—	—	—	—	—	T4	—	T100°C	—	

DIMENSIONS



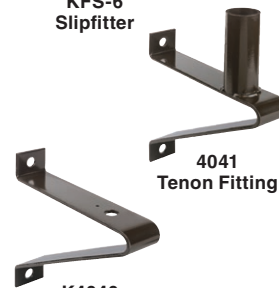
KFL2H MOUNTS AND ACCESSORIES	
CATALOG NUMBER	DESCRIPTION
KFS-6	Steel Slipfitter for 2" Pipe (2-3/8" o.d.) Tenon. Slips 3.75" Over Pipe
KFCB	Heavy Duty Cast-Iron Crossarm Fitting for Horizontal Trunnion
KFWB	Heavy Duty Wall Mount and/or Pipe Clamp Fitting Clamps 2" Pipe (2-3/8" o.d.) Through 2-1/2" Pipe (2-7/8" o.d.)
K4040	Heavy Duty Steel Wall Bracket. (Must be with KFCB Crossarm Fitting)
4041	Heavy Duty Steel Wall Bracket 2" Pipe (2-3/8" o.d.) Tenon Fitting. Use with KFS-6
KFLG	Wire Guard, 316 Stainless Steel (order 4 per fixture)
VMSC10	10' Stainless Steel Safety Cable with loop grip
KFLH-DARK	Dark Sky Visor, White Painted Aluminum
KFLH-DOOR	Replacement Internal Reflector and Lens Assembly (order 4 per fixture as required)



KFS-6 Slipfitter



KFCB Cross Arm Mount



4041 Tenon Fitting

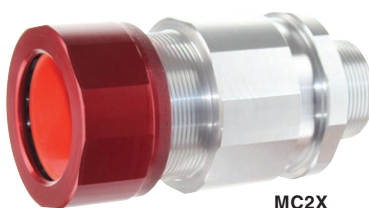


K4040 Wall Bracket



KFWB Wall/Pipe Bracket

CABLE GLAND ORDERING OPTIONS



MC2X

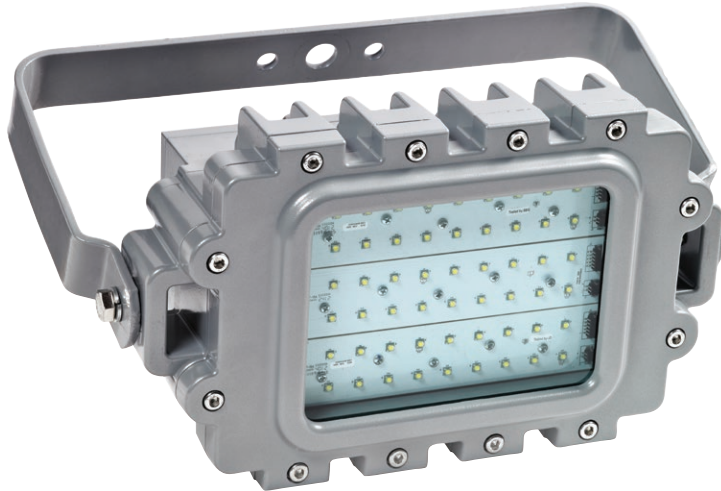
CATALOG NUMBER	ENTRY THREAD SIZE (NPT)	CABLE ACCEPTANCE DETAILS	
		DIAMETER 'C'	
		MIN.	MAX.
MC2X1B	1/2"	0.51" (13.0)	0.63" (16.0)
MC2X1C	1/2"	0.60" (15.2)	0.79" (20)
MC2X2	3/4"	0.73" (18.5)	1.00" (25.4)

For entire series, please see Section F.



C1D1 FLOOD – INTRODUCTION & LOGIC

PETROBRIGHT® LED



Class I, Div. 1&2, Groups B,C,D
Class I, Zone 1&2, Groups IIB+H2, IIA
Class II, Div. 1&2, Groups EFG, Class III
Enclosure Type 4X, IP66 (-50°C to +55°C)



File LR11713



IEC Ex Ratings

Zone 1, Zone 21

Ex db eb IIB (+H₂ Option) T* Gb
Ex tb III C T°C Db IP66**

(STD Version) Ta=-20°C to xx°C

(LT Version) Ta=-50°C to xx°C

See tables in full Description in Annex for T class and Ta



IECEx Certificate

CML 14.0034X

ATEX Certificate

CML 14ATEX1086X

FEATURES-SPECIFICATIONS

Features

- **Factory Sealed Construction**
- One 3/4" NPT & one M20 entry standard (see logic for other choices)
- Crisp White Light for Excellent Color Rendering – Chromaticity 5000 K (CCT); approx. 70 CRI
- Energy Savings – High lumens per watt
- LED Array Life – 100,000+ hours with 70% initial lumens
- Long Fixture Life – 50,000 - 55,000 maintenance free hours
- Instant On – Including after power interruption
- Solder-LESS LED Board Connections – Vibration Resistant

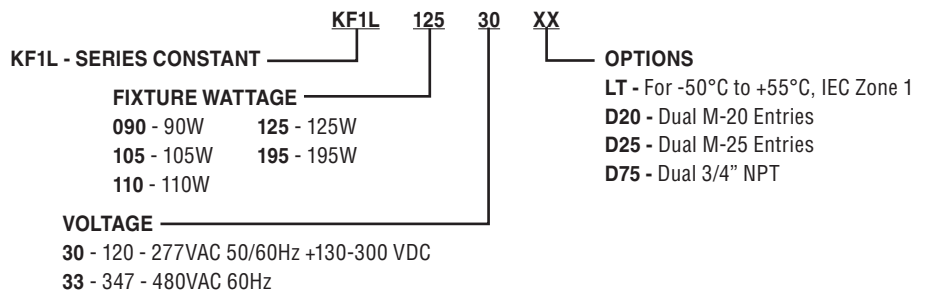
Materials

- Body, end caps and lens frame corrosion resistant copper-free aluminum alloy with baked powder epoxy/polyester finish, electrostatically applied for complete, uniform corrosion protection
- All external hardware - stainless steel
- Thermal shock and impact resistant extra heavy-duty glass lens
- High temperature silicone gasketing
- Trunnion heavy gauge 316 SS

Electrical Ratings

- World Voltage 120 – 277VAC 50/60Hz
- LT option for models needing IECEx, Zone 1, -50°C to +55°C suitability for hydrogen

CATALOG NUMBER LOGIC





LIGHTING KF1L SERIES

C1D1 FLOOD – ORDERING & TECHNICAL DATA

ORDERING INFORMATION AND AMBIENT SUITABILITY						C1D1		C2D1		IEC ZONE 1		IEC ZONE 21	
CATALOG NO.	WEIGHT LBS./KG	WATTS	VOLTAGE	AMPS	DELIVERED LUMENS	40°C	55°C	40°C	55°C	40°C	55°C	40°C	55°C
KF1L09030	46.00 / 20.87	90	120-277VAC	0.72-0.31	7182	T6	T6	(EFG)	Limited Aiming B	T6	T5	160-75	175-90
KF1L09033			347-480VAC	0.25-0.18									
KF1L09034			120-250VDC	0.72-0.28									
KF1L10530	46.00 / 20.87	105	120-277VAC	0.85-0.37	8362	T6	T6	(EFG)	Limited Aiming B	T6	T5	160-76	175-91
KF1L10533			347-480VAC	0.29-0.21									
KF1L10534			120-250VDC	0.85-0.33									
KF1L11030	46.00 / 20.87	110	120-277VAC	0.95-0.41	10590	T6	T6	(EFG)	Limited Aiming B	T6	T5	160-77	175-92
KF1L11033			347-480VAC	0.33-0.24									
KF1L11034			120-250VDC	0.95-0.37									
KF1L12530	46.00 / 20.87	125	120-277VAC	1.10-0.48	11590	T6	T6	(EFG)	Limited Aiming B	T6	T5	160-78	175-93
KF1L12533			347-480VAC	0.38-0.28									
KF1L12534			120-250VDC	1.10-0.43									
KF1L19530	46.00 / 20.87	195	120-277VAC	1.63-0.70	15707	T5	—	—	—	T5	—	—	—

DIMENSIONS

Front

Side

Trunnion Mounting Detail

Aiming Notes

Diagram A shows a 0° aiming angle with a 180° rotation range.

Diagram B shows a 135° aiming angle with a 0° rotation range.

KFL MOUNTS AND ACCESSORIES	
CATALOG NUMBER	DESCRIPTION
KFS-6	Steel Slipfitter for 2" Pipe (2-3/8" o.d.) Tenon. Slips 3.75" Over Pipe
KFCB	Heavy Duty Cast-Iron Crossarm Fitting for Horizontal Trunnion
KFWB	Heavy Duty Wall Mount and/or Pipe Clamp Fitting Clamps 2" Pipe (2-3/8" o.d.) Through 2-1/2" Pipe (2-7/8" o.d.)
K4040	Heavy Duty Steel Wall Bracket. (Must be with KFCB Crossarm Fitting)
4041	Heavy Duty Steel Wall Bracket 2" Pipe (2-3/8" o.d.) Tenon Fitting
KFLG	Wire Guard, 316 Stainless Steel
VMSC10	10' Stainless Steel Safety Cable with loop grip
KF1L-DARK	Dark Sky Visor, White Painted Aluminum
KF1L-DOOR	Replacement Door and Lens Assembly

CABLE GLAND ORDERING OPTIONS

CATALOG NUMBER	ENTRY THREAD SIZE (NPT)	CABLE ACCEPTANCE DETAILS	
		DIAMETER 'C'	
		MIN.	MAX.
MC2X1B	1/2"	0.51" (13.0)	0.63" (16.0)
MC2X1C	1/2"	0.60" (15.2)	0.79" (20)
MC2X2	3/4"	0.73" (18.5)	1.00" (25.4)

For entire series, please see Section F.





WALLPACK

CERTILITE®



Class I, Div. 2, Groups A,B,C,D
Class I, Zone 2, Groups IIC, IIB, IIA
Type 4X

 Certified

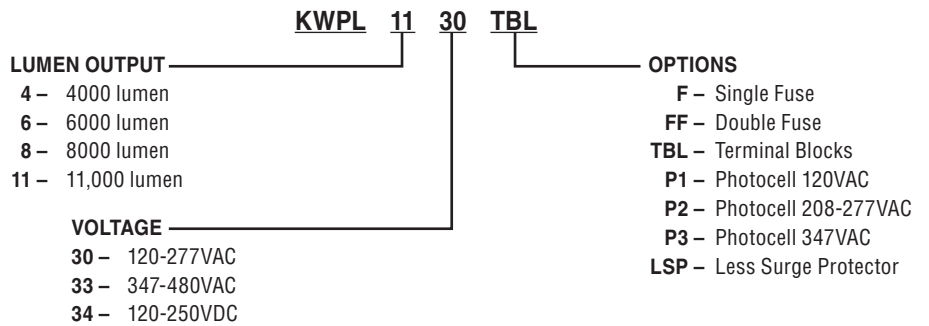
 cCSAus File No: LR11713

FEATURES-SPECIFICATIONS

Features

- Aluminum with Bronze finish ½” hub on either side for conduit entry
- Suitability for 55°C ambient, 90°C supply wire required (see table)
- Lens thermal shock and impact resistant prismatic borosilicate glass
- Two Hubbell Guard® Corrosion resistant hex head fasteners provide water-tight seal for door gasket
- Options include: factory installed photo cells, fusing

CATALOG LOGIC





LIGHTING KWPL SERIES

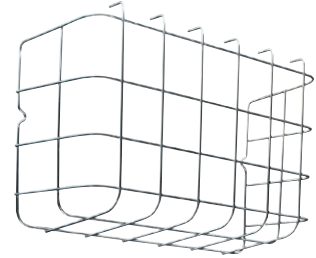
WALLPACK



Glare Shield



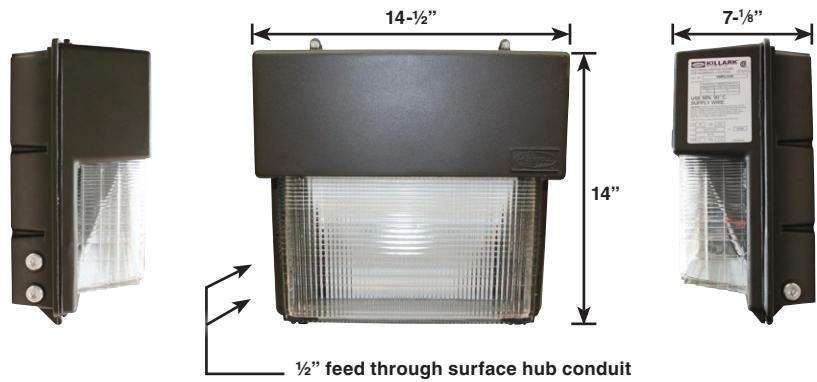
Clear Shield



Wire Guard

ORDERING INFORMATION

ORDERING INFORMATION AND AMBIENT SUITABILITY						C1D2		
CATALOG NO.	WEIGHT LBS./KG	WATTS	VOLTAGE	AMPS	LUMENS	40°C	55°C	
KWPL430	14.00 / 6.35	34	120-277VAC	0.12 - 0.28	4436	T5	T4A	
KWPL433			347-480VAC	0.07 - 0.10		T5	T4A	
KWPL434			120-250VDC	0.14 - 0.28		T5	T4A	
KWPL630		46	46	120-277VAC	0.17 - 0.38	5636	T4A	T4
KWPL633				347-480VAC	0.10 - 0.13			
KWPL634				120-250VDC	0.18 - 0.38			
KWPL830		68	68	120-277VAC	0.25 - 0.57	8404	T4A	T4
KWPL833				347-480VAC	0.14 - 0.20			
KWPL834				120-250VDC	0.27 - 0.57			
KWPL1130		90	90	120-277VAC	0.32 - 0.75	10914	T4	—
KWPL1133				347-480VAC	0.19 - 0.26			
KWPL1134				120-250VDC	0.36 - 0.75			



CS[®] US
FACTORY
SEALED

Photo Cell Field Kits for Harsh Type 4X and Class I, Div. 2 Locations

PHOTO CELL FIELD KITS	
CATALOG NUMBER	VOLTS
VMFSPC1	120VAC
VMFSPC2	208-277VAC
VMFSPC3	347VAC

KWP ACCESSORIES	
CATALOG NUMBER	DESCRIPTION
PGPS	Clear Shield (Polycarbonate) for Protecting Lens
PGWG	Wire Guard, Cadmium Plated Steel
PVLV	Glare Shield Full Cutoff Visor – Formed Bronze Aluminum Forces light to Walkway
KWPLENS	Replacement Door and Lens

LIGHTING
EMERGENCY & UTILITY LIGHTING





LIGHTING
EBS SERIES

EMERGENCY BATTERY SYSTEM – INTRODUCTION

HOSTILE/ITE® EBS
EMERGENCY



**EBS Unit with HK
Type Heads and
Integral Push-To-Test**

Class I, Div. 1&2, Groups B,C,D
Class I, Zone 1&2, Groups IIB+H2, IIA
Class II, Div. 1&2, Groups EFG
Class III
Enclosure Type 4 (Type 4, 7B CD, 9EFG)

 File LR11713

FEATURES-SPECIFICATIONS

Exclusive Features

- LED Heads provide clear crisp illumination at 5000° Kelvin
- LED Head L70 value 100,000 hours for minimal maintenance
- Two head models up to 500% brighter than competitive non-LED units
- Enclosure Type 4 (Type 4) for wet and harsh locations
- Group B is standard when using EBSHK type heads
- Automatic Safety Disconnect – Removing main cover disconnects battery power
- Ambient Suitability 0°C to 45°C Battery Unit; Heads to 55°
- Compact unit requires only two mounting points
- World Voltage 120-277 VAC 50/60Hz input

Other Features

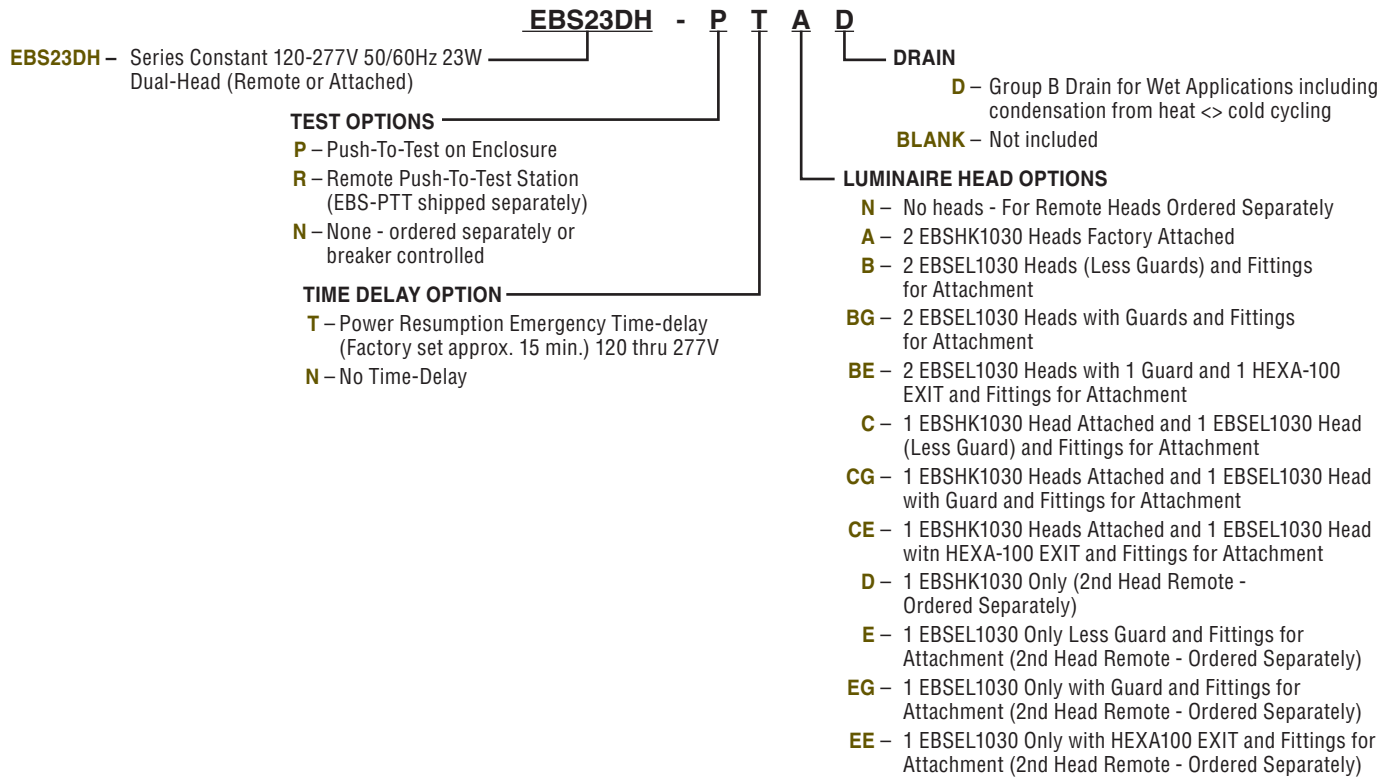
- High % of lumens maintained during 90 minute egress cycle
- EBSHK type heads are fully adjustable on unit or remote when ordered with RFSL Factory Sealed mounting kits
- EBSEL type heads are factory sealed on their EZ type mounting boxes
- Heads can be remote mounted over 300' from battery unit
- Ni-Cad sealed batteries provide 90 minutes of illumination
- Integral base unit LED pilot light indicates AC power is present
- Choice of Integral or Remote Push-To-Test station to verify system operation
- Vapor Capsule to inhibit corrosion is standard with main enclosure unit
- Terminal Blocks identified for incoming and outgoing connections

Materials

- Main Enclosure and Heads Copper Free Aluminum alloy with Baked Powder epoxy/polyester finish, electrostatically applied for complete, uniform corrosion protection
- Attachment fittings copper-free aluminum
- External hardware 316 Stainless Steel
- EBSEL reflectors EXIT accessory aluminum with white paint



EMERGENCY BATTERY SYSTEM – LOGIC & COMPONENTS



Factory Sealed Remote LED Spot Light - Bottom Feed



Factory Sealed Remote LED Spot Light - Side Feed



Remote Push-To-Test Station



EBS UNIT - BOTTOM DETAIL



- A** Optional Push-To-Test
- B** Optional Group B Drain
- C** Standard Pilot Light
- D** Entry for Remote P-T Station
- E** Power Entry (also on top)

The EBS23 System is designed to power 2 Heads for operation (total attached or remote); each Head is approximately 10 Watts.



LIGHTING
EBS SERIES

EMERGENCY BATTERY SYSTEM – PRE-CONFIGURED UNITS

ORDERING INFORMATION



INTEGRAL PUSH-TO-TEST		REMOTE PUSH-TO-TEST		
EBS SYSTEM WITH TWO EBSHK HEADS				CID1BCD
Integral PTT, Two EBSHK	Integral PTT, TDR , Two EBSHK	Remote PTT, Two EBSHK	Remote PTT, TDR , Two EBSHK	
EBS23DH-PNA	EBS23DH-PTA	EBS23DH-RNA	EBS23DH-RTA	
EBS SYSTEM WITH TWO EBSEL HEADS WITH GUARDS				CID1CD
Integral PTT, Two EBSEL Heads w/ Guards	Integral PTT, TDR , Two EBSEL Heads w/ Guards	Remote PTT, Two EBSEL Heads w/ Guards	Remote PTT, TDR , Two EBSEL Heads w/ Guards	
EBS23DH-PNBG	EBS23DH-PTBG	EBS23DH-RNBG	EBS23DH-RTBG	
EBS SYSTEM WITH ONE EBSHK HEAD & 1 EBSEL HEAD WITH GUARD				CID1CD
Integral PTT, One EBSHK & One EBSEL Head w/ Guard	Integral PTT, TDR , One EBSHK & One EBSEL Head w/ Guard	Remote PTT, One EBSHK & One EBSEL Head w/ Guard	Remote PTT, TDR , One EBSHK & One EBSEL Head w/ Guard	
EBS23DH-PNCG	EBS23DH-PTCG	EBS23DH-RNCG	EBS23DH-RTCG	
EBS SYSTEM WITH TWO EBSEL HEADS ONE WITH EXIT				CID1CD
Integral PTT, Two EBSEL Heads, One w/ EXIT, One w/ Guard	Integral PTT, TDR , Two EBSEL Heads One w/ EXIT, One w/ Guard	Remote PTT, Two EBSEL Heads, One w/ EXIT, One w/ Guard	Remote PTT, Two EBSEL Heads, One w/ EXIT, One w/ Guard	
EBS23DH-PNBE	EBS23DH-PTBE	EBS23DH-RNBE	EBS23DH-RTBE	
EBS SYSTEM WITH ONE EBSHK HEAD & ONE EBSEL HEAD WITH EXIT				CID1CD
Integral PTT, One EBSHK Head, One EBSEL w/ EXIT	Integral PTT, TDR , One EBSHK Head, One EBSEL w/ EXIT	Remote PTT, One EBSHK Head, One EBSEL w/ EXIT	Remote PTT, TDR , One EBSHK Head, One EBSEL w/ EXIT	
EBS23DH-PNCE	EBS23DH-PTCE	EBS23DH-RNCE	EBS23DH-RTCE	
EBS SYSTEM ONLY FOR REMOTE HEADS (ORDER TWO SEPARATELY)				CID1BCD
Integral PTT, No Heads	Integral PTT, TDR , No Heads	Remote PTT, No Heads	Remote PTT, TDR , No Heads	
EBS23DH-PNN	EBS23DH-PTN	EBS23DH-RNN	EBS23DH-RTN	



EMERGENCY BATTERY SYSTEM – REMOTE HEADS & ACCESSORIES



EBSEL
Shown with
Exit Accessory

EBSEL1030 COMPONENTS & ACCESSORIES – DESCRIPTION	CATALOG NUMBER
EBSEL 10W Head Only with LED's, Less Mount and Guard ①	EBSEL1030
Guard	EMG1
Red Guard – used to signify remote fixture is for Emergency	EMG1-R
EXIT Accessory – 3-sided white painted aluminum	HEXA-100
Dome Reflector	ERSD15
Angle Reflector	ERA15
Sealed Fittings Set for attachment of Pendant EBSEL to EBS23HD-xxx	EBS-AHFS
Replacement Globe and Support Assembly	EMGS1

① Cannot be used as a stand alone product and is not certified unless used with EBS23DH unit.



EBSEL1030



EMG1



EMG1-R



EMGS1



ERSD15



ERA15



MOUNTING BOXES				
CATALOG NUMBER				HUB SIZE
PENDANT	CEILING	BRACKET	STANCHION	
EZA2	EZX2	EZB2	–	3/4"
EZA3	EZX3	EZB3	–	1"
–	–	–	EZD4	1-1/4" / 1-1/2"



EBSHK1030



EBSHK1030-RFSL



EBSHK1030-RFSC



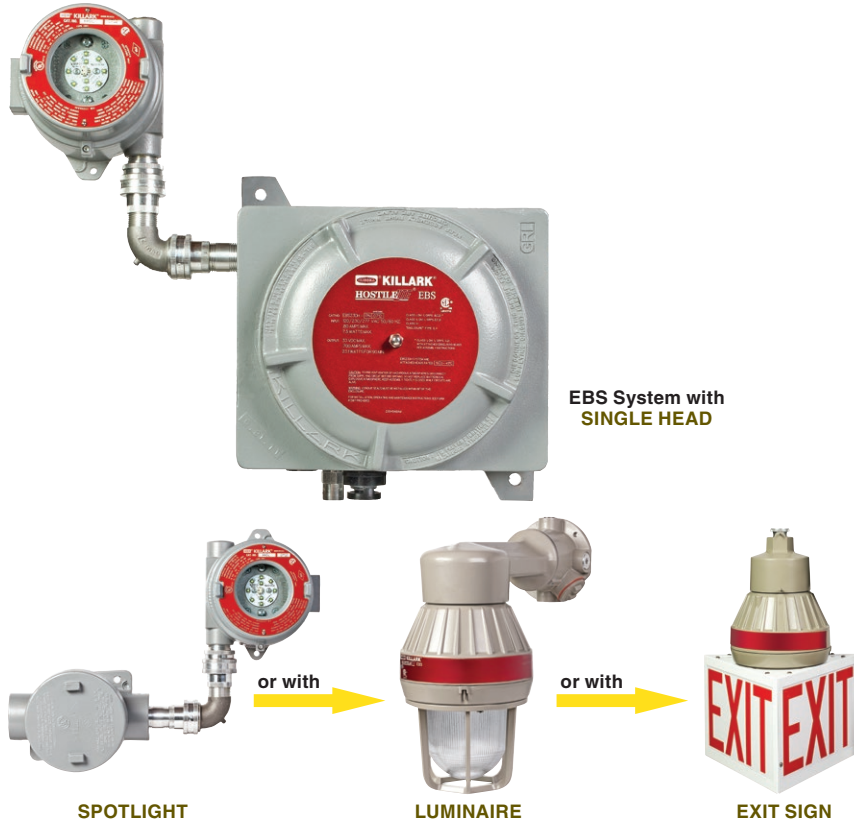
EBS-PTT

EBS23DH SERIES ACCESSORIES – DESCRIPTION	CATALOG NUMBER
Remote Push-To-Test Station Group B 3/4" Feed-Thru w/Close Up Plug	EBS-PTT
Remote Push-To-Test Station with Lock Off, Group B 3/4" Feed-Thru	EBS-PTT-LO
Lock-Off for Integral Push-To-Test	G010502
Sealed Fittings Set for attachment of EBSHK to GEBC-2 or GEBL-2	EBS-AHFS
Replacement Battery Pack and Electronics	KLBP01
Replacement Vapor Capsule for corrosion protection	EBS-VC



LIGHTING EBS SERIES

EMERGENCY BATTERY SYSTEM – ELECTRICAL & TEMPERATURE DATA



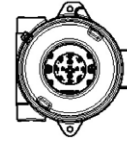
EBS System with SINGLE HEAD

SPOTLIGHT

LUMINAIRE

EXIT SIGN

LED 10W EBSHK1030



ZONAL LUMEN SUMMARY

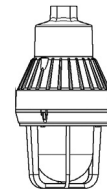
ZONE	LUMENS	FIXT%
0-30	254	27.9%
0-40	423	46.3%
0-60	781	85.5%
0-90	913	100.0%
90-120	0	0.0%
90-130	0	0.0%
90-150	0	0.0%
90-180	0	0.0%
0-180	913	100.0%

Absolute Photometry
Total Luminaire Efficiency = N.A.%
Spacing to Mounting Height Ratio 2.1

EMERGENCY MODE LUMENS

5 Min.	99.1%	905 Lumens
45 Min.	99.4%	871 Lumens
90 Min.	95.3%	871 Lumens

LED 10W EBSEL1030



ZONAL LUMEN SUMMARY

ZONE	LUMENS	FIXT%
0-30	180	16.7%
0-40	344	31.8%
0-60	758	70.1%
0-90	1067	98.7%
90-120	11	1.0%
90-130	13	1.2%
90-150	14	1.3%
90-180	14	1.3%
0-180	1081	100%

Absolute Photometry
Total Luminaire Efficiency = N.A.%
Spacing to Mounting Height Ratio 2.1

EMERGENCY MODE LUMENS

5 Min.	94.4%	102 Lumens
45 Min.	91.3%	987 Lumens
90 Min.	89.3%	966 Lumens

EBS23DH ELECTRICAL DATA

CATALOG NUMBER	INPUT**			OUTPUT**		
	VOLTAGE	WATTS	CURRENT	VOLTAGE	WATTS	CURRENT
EBS23DH	120-277VAC	7.5	.1 A	33VDC	23	700mA

** Figures nominal. Current is 350mA to each of 2 heads (2 heads are required for proper operation, remote or attached).

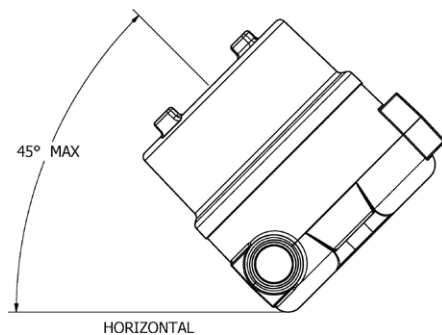
THERMAL PERFORMANCE DATA

CATALOG NUMBER	AMBIENT	CID1	CIID1	SUITABILITY	SUPPLY WIRE
EBS23DH	45°C	T6	EFG	0-45°C	75°C
EBSEL1030	55°C	T6	EFG	-40 to 40°C	75°C
EBSHK1030	55°C	T6	EFG	-40 to 40°C	75°C

* Heads are NOT certified for use without EBS Battery Unit

4 Head EBS option:

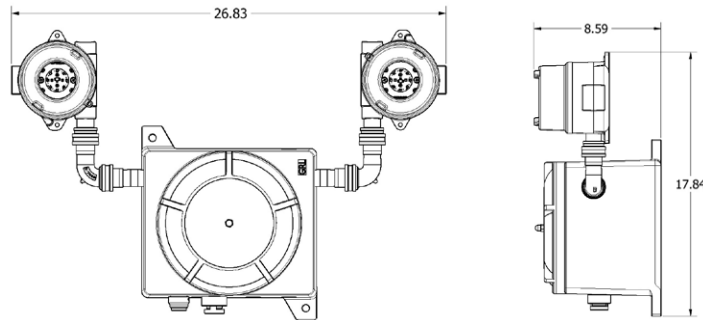
EBS units are designed for 2 head operation and will provide the lumens noted at right. However, 4 heads can be connected and will operate for 90 minutes at half the published lumen values. The EBSHK1030 would provide 456 lumens; the EVSEL1030 540 lumens. Instructions for wiring are included with the main EBS unit.



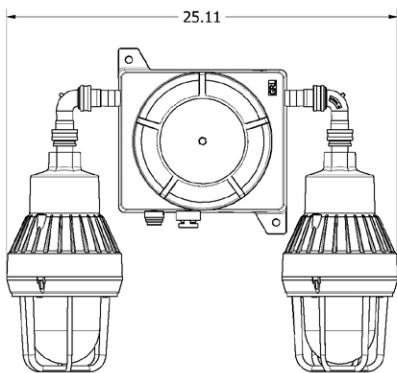
EBSHK Heads can be aimed up to 45 above horizontal – if flush on wall will require spacing out.



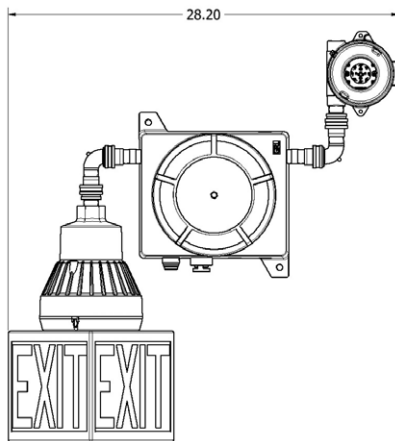
EMERGENCY BATTERY SYSTEM – DIMENSIONS & WEIGHTS



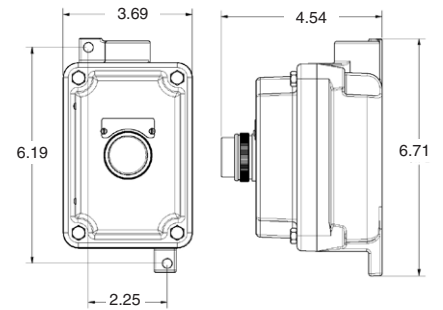
Dimensions - EBS with HK Heads



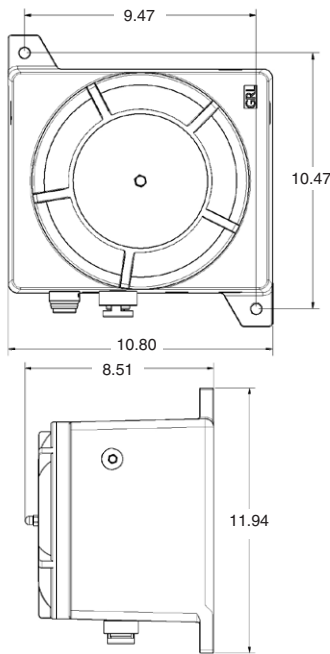
Dimensions - EBS with EL Heads



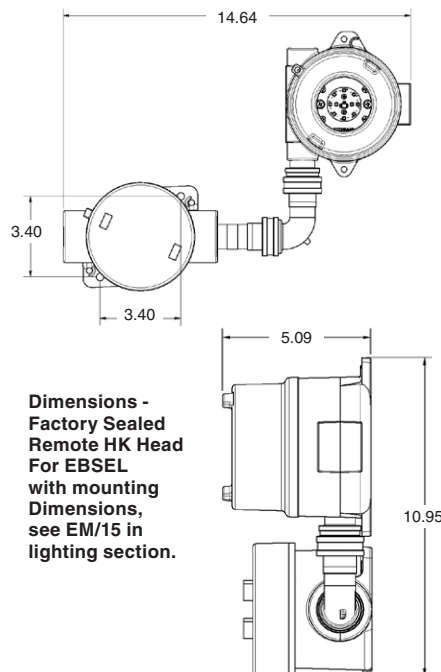
Dimensions - EBS with EL-EXIT & HK Heads



Dimensions - Remote Test Station



Dimensions - EBS Main Unit



Dimensions -
Factory Sealed
Remote HK Head
For EBSEL
with mounting
Dimensions,
see EM/15 in
lighting section.

WEIGHTS (SHIPPING) INDIVIDUAL AND COMBINATIONS	LBS.
EGS23DH Main Unit Only	36.6
EBSEL1030 Pendant Head Only w/ Fittings Set	12.3
EBSHK1030 Head Only w/ Fittings Set	5.0
EBSHK1030-RFSC (or RFSL)	11.0
EBS-PTT	3.0
EBS-AHFS Factory Sealed Fittings Set	0.6
EBS23DH & 1 EBSHK w/ Fittings	41.6
EBS23DH & 2 EBSHK w/ Fittings	46.6
EBS23DH & 1 EBSEL w/ Fittings	48.9
EBS23DH & 2 EBSEL w/ Fittings	61.2
EBS23DH & 1 EBSEL & 1 EBSHK w/ Fittings	53.9



LIGHTING
NVL SERIES

NON-METALLIC CORROSION RESISTANT HAZARDOUS FIXTURES

ENVIRO*RITE*® II



Class I, Div. 2, Groups A,B,C,D
Class I, Zone 2, Groups IIC,IIB,IIA
Class II, Div. 2, Groups F,G
Class III
UL Marine Rated (US only)
Type 3, 4, 4X, IP66

Certified - File LR11713

ABS Type Approval

to the following standards:
UL 1598 Standard for luminaires
UL 1598A Marine type luminaires
UL 844 Standard for lighting fixtures
for hazardous locations
CSA C22.2 no. 137-M1981
electric luminaires for use in
hazardous locations
Enclosed and gasketed

FEATURES-SPECIFICATIONS

Features

- Corrosive resistant body molded from 30% glass-filled thermoset polyester
- Energy and labor-saving LED
- High Efficacy (lumens per watt)
- Compact Size
- Diffuse polycarbonate globe that softens the light while providing impact protection
- Accessories include polycarbonate dome reflectors and wall extension
- Type 3, 4, & 4X Rated
- IP66
- Marine Rated
- ABS Approved

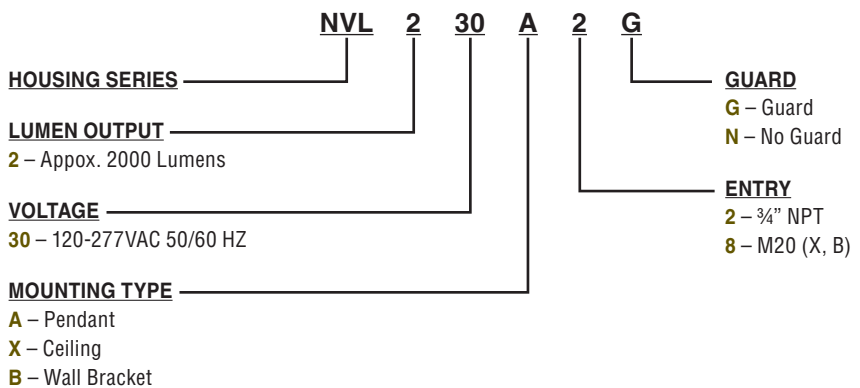
Materials

- Molded from 30% glass-filled thermoset polyester for high strength

Electrical Ratings

- Rated 120-277VAC 50/60 HZ
- -25°C to 40°C ambient rated

CATALOG NUMBER LOGIC





NON-METALLIC CORROSION RESISTANT HAZARDOUS FIXTURES

NVL COMPONENTS AND ACCESSORIES			
CATALOG NUMBER	DESCRIPTION		
NV2AG	Pendant	3/4" NPT	Pendant splice box with 316 stainless steel set screw at the conduit connection
NV2XG	Ceiling Box	3/4" NPT	Ceiling box vol. 24 cu. inches
NV2MG		M20	
NV2BG	Wall Bracket		Use with NV2XG or NV2MG for wall mount
NVPSD12	Reflector		White Polycarbonate Reflector (secured by guard)
NVEXTG	Extension		Extension for wall mount fixture with reflector
NV2GG-S	Compact Guard		Low Profile Non-Metallic Guard that is also used to secure reflector

COMPONENT PARTS



Pendant



Ceiling/Wall
(Interior Detail)



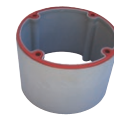
Ceiling/Wall



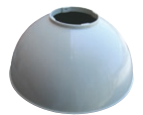
Wall Elbow



NV2GG-S
Compact Guard

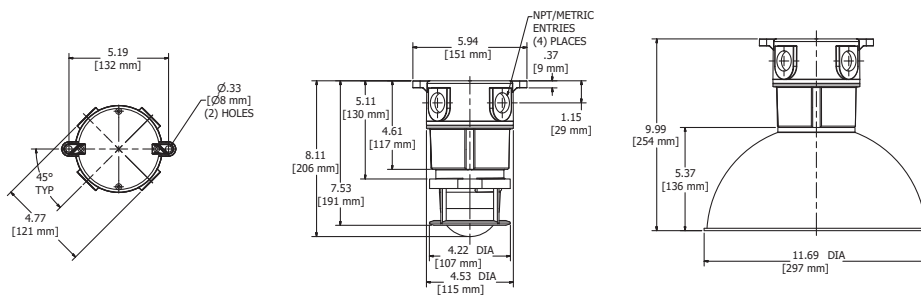


Extension

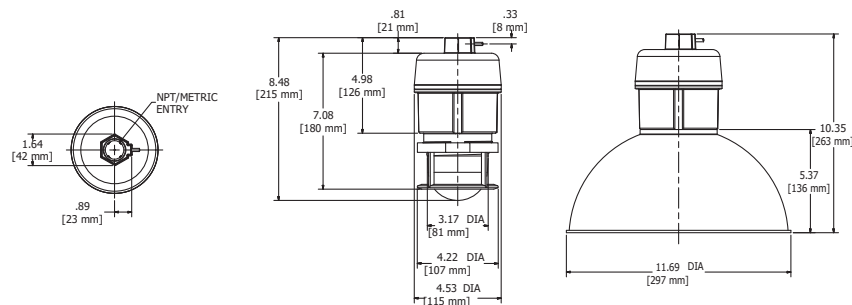


Reflector

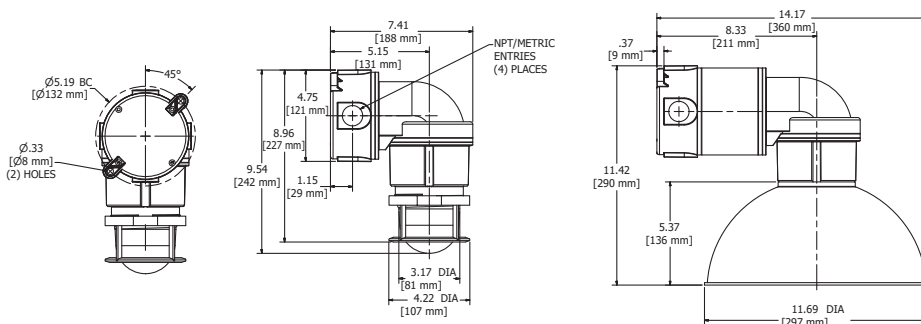
CEILING MOUNT



PENDANT MOUNT



WALL MOUNT





LIGHTING
VTR & WTR SERIES

Easy as...

OLD NEW



1 remove



2 connect



3 enjoy





VTR

Vapor Tight LED Retrofit



VTR-1



VTR-2

Class I, Division 2, Groups A, B, C, D
Class I, Zone 2, Groups IIC, IIB, IIA
Class II, Division 2, Groups F, G
Class III
Suitable for wet locations
Type 4

Certificate No: E509951

FEATURES-SPECIFICATIONS

Features

- High efficacy upto 120 lumens/watt
- UL 1598C and CSA C22.2 No 250.1-16 compliant
- 5000k crisp white LEDs

Materials

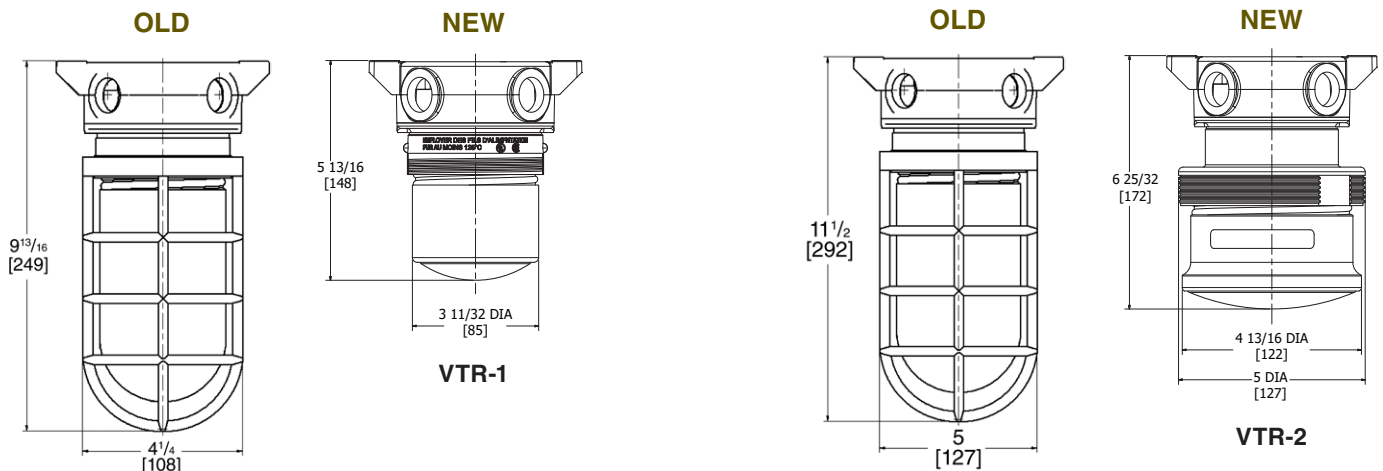
- Housing: Aluminum
- Lens: Polycarbonate

Adaptability

- Appleton V-51 Series
- Killark V Series

ORDERING INFORMATION AND SUITABILITY						C1D2		C2D2	
	WEIGHT LBS / KG	WATTS	VOLTAGE	AMPS	LUMENS	40°C	55°C	40°C	55°C
VTR-1	0.80 / 0.36	9	120V 60Hz	0.05	1085	T6	T6	T3B	T3B
VTR-2	1.25 / 0.57	18	120V 60Hz	0.1	2100	T6	T5	T3B	T3B

DIMENSIONS





LIGHTING
WTR SERIES

WTR

Water Tight LED Retrofit



WTR-1



WTR-2

Suitable for wet locations
Type 3, 3R, 4

Certificate No: E505038

FEATURES-SPECIFICATIONS

Features

- High efficacy upto 120 lumens/watt
- UL 1598C and CSA C22.2 No 250.1-16 compliant
- 5000k crisp white LEDs

Materials

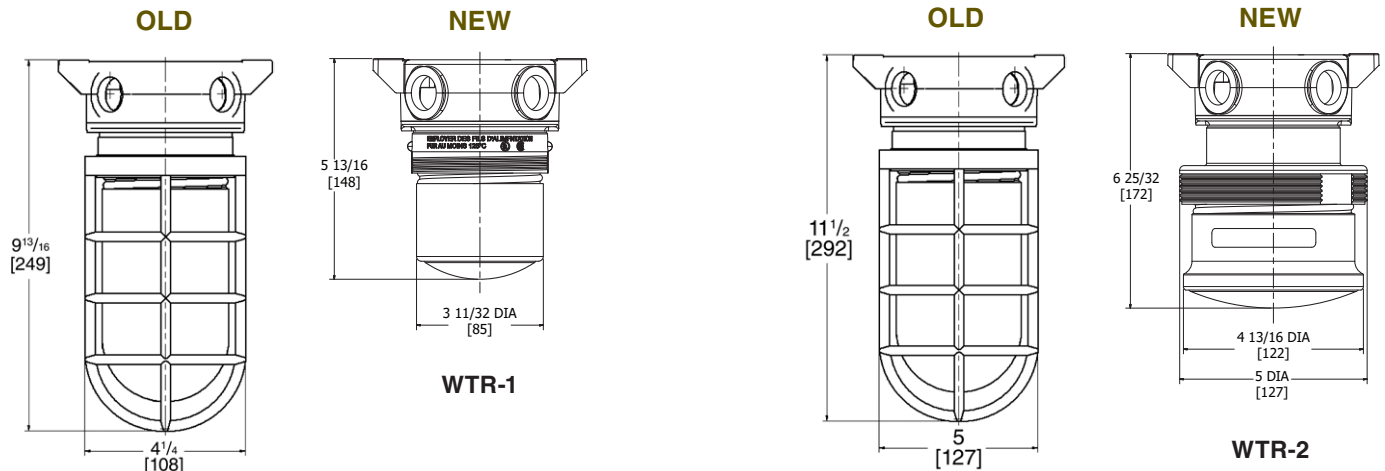
- Housing: Aluminum
- Lens: Polycarbonate

Adaptability

- Appleton V-51 Series
- Killark V Series
- Cooper Crouse-Hinds V-Series
- Thomas & Betts Red-dot V

ORDERING INFORMATION AND SUITABILITY					
	WEIGHT LBS / KG	WATTS	VOLTAGE	AMPS	LUMENS
WTR-1	0.80 / 0.36	9	120V 60Hz	0.05	1085
WTR-2	1.25 / 0.57	18	120V 60Hz	0.1	2100

DIMENSIONS





UTILITY LIGHT – INTRODUCTION

V SERIES LED



Class I, Div. 2, Groups A,B,C,D
Class I, Zone 2, Groups IIC,IIB,IIA
Class II, Div. 2, Groups F,G
Class III
Suitable for wet locations
Enclosure Type 4

 Certified - File LR11713

FEATURES-SPECIFICATIONS

Features

- Compact in Size with Traditional Industrial Appearance and Suitability
- Wide variety of optics including glass globes (tempered and color) plus polycarbonate globes in clear and colors (Polycarbonate globes are suitable to 40°C.)
- Optional Mounting arrangements including Pendant, Wall, Ceiling, Stanchion and Adapters
- Fixtures available unit packed, order option CP
- VSL LED Housings can be retrofitted to existing V Series splice boxes; upgrade from CFL or incandescent
- Energy Savings – less than 13 Watts of Power; less than 16 Watts for VSL1630. Replaces 75W or higher incandescent
- Long Fixture Life – 50,000 - 55,000 maintenance free hours
- Crisp White Light for Excellent Color Rendering – Chromaticity 5000°K (CCT); 70 CRI
- Integral driver – maintains fixture's compact profile to fit in existing spaces
- Instant on – including after power interruption
- Solder-LESS LED Board Connections – Vibration Resistant

Materials

- Body, splice box and guards are corrosion resistant copper-free aluminum alloy
- Baked powder epoxy/polyester finish, electrostatically applied for complete, uniform corrosion protection
- Reflectors – Polypropylene for pendant or ceiling applications
- Heavy-duty silicone gasketing for Type 4 requirements

Electrical Ratings

- Ambient suitability -40°C to 55°C
- “World Voltage” 120-277VAC 50/60Hz



LIGHTING
VSL SERIES

UTILITY LIGHT – CATALOG LOGIC



Clear Glass
w/Guard



White Glass
w/Guard



Blue Glass

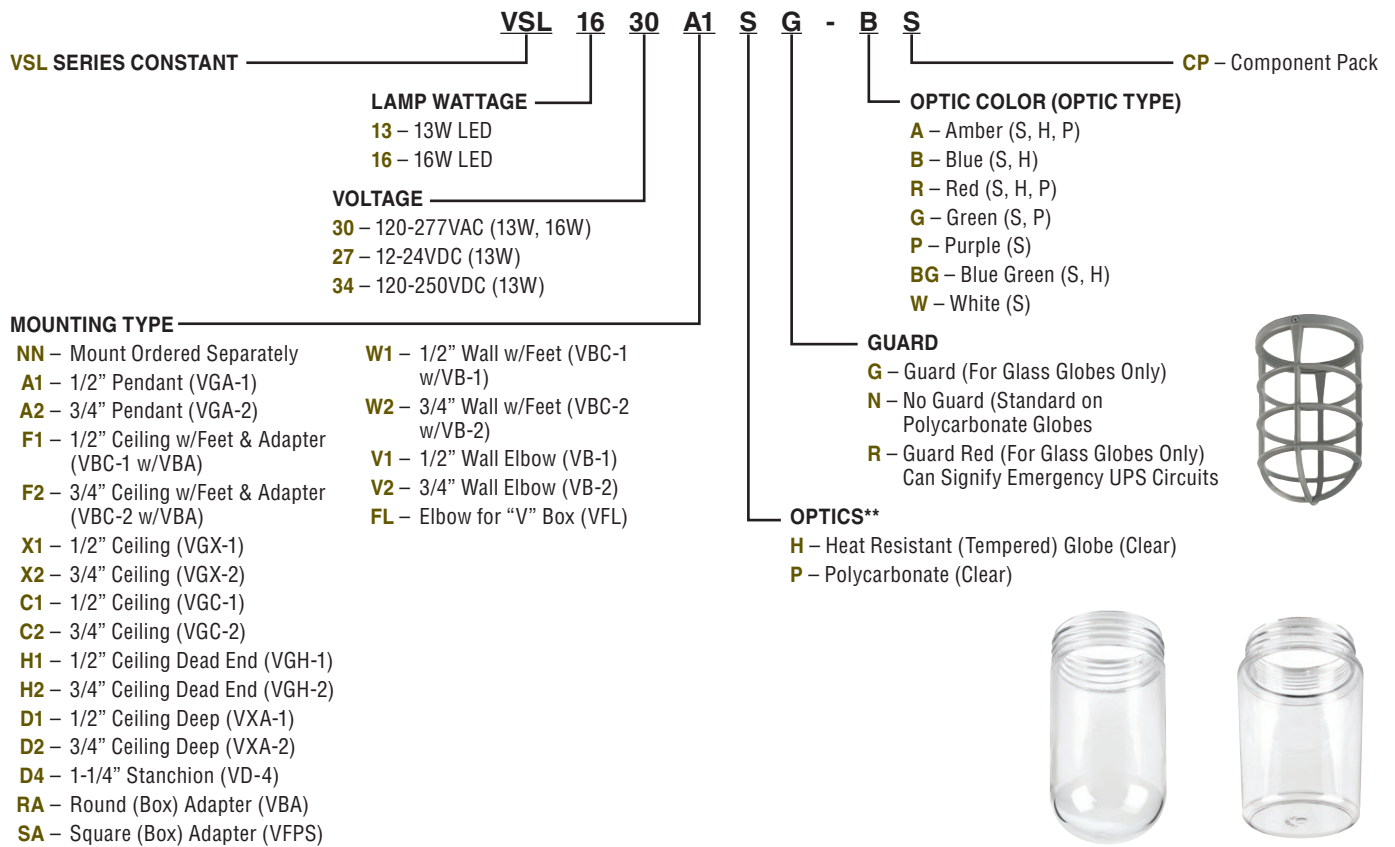


Clear
Polycarbonate



Red
Polycarbonate

V SERIES LED Catalog Number Logic



COLORED GLOBE OPTIONS** EXAMPLE VSL1330A1SG-A		
SUFFIX AND AVAILABLE COMBINATIONS		
COLOR NUMBER	TEMPERED GLOBE	POLYCARBONATE
AMBER	A	A
BLUE	B	—
RUBY	R	R
GREEN	—	G
PURPLE	—	—
BLUE-GREEN	BG	—
WHITE	W	W

** Use tempered glass or poly globe for wet location applications.



UTILITY LIGHT – COMPONENTS



VSL Body

**RETROFIT
FOR ENERGY
SAVINGS**

VSL FIXTURE BODIES ONLY

Fixture bodies contain the LED driver and array, heat sink plus gaskets, and are threaded to accept globes, guards and reflectors. Users with KILLARK “V” Series vapor tight fixtures from the 1960’s onward can up-grade to the latest technology and, in many cases, reuse existing mounts, globes and guards. VSL bodies are designed for metallic boxes and mount directly to V Series splice boxes or adapters as indicated.

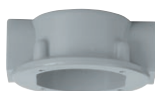
VSL FIXTURE BODIES	
CATALOG NUMBER	DESCRIPTION
VSL1330	13W 120-277VAC 50/60Hz Body with LEDs and Driver
VSL1630	16W 120-277VAC 50/60Hz Body with LEDs and Driver



VGA



VGH



VGC



VGX



VXA



VBC



VBA



VFPS

VSL SPLICE BOXES

For use with VSL Series fixture bodies.

VSL SPLICE BOXES				
CATALOG NUMBER	HUB SIZE	QTY.	LOGIC CODE	DESCRIPTION
VGA-1	1/2"	1	A1	Pendant mount
VGA-2	3/4"	1	A2	
VGH-1	1/2"	1	H1	Ceiling mount
VGH-2	3/4"	1	H2	
VGC-1	1/2"	2	C1	Ceiling mount
VGC-2	3/4"	2	C2	
VGX-1	1/2"	4	X1	Ceiling mount
VGX-2	3/4"	4	X2	
VXA-1	1/2"	5	D1	Ceiling mount, deep box
VXA-2	3/4"	5	D2	
VBC-1	1/2"	4	F1	Ceiling mount, with 3 close-up plugs (requires VBA Adapter) or wall mount with VB elbow
VBC-2	3/4"	4	F2	
VXAB	-	-	-	Blank close-up plate (less gasket)

VSL ADAPTERS

VSL ADAPTER MOUNTING PLATES	
CATALOG NUMBER	DESCRIPTION
VBA	Adapts fixture body to VB, VJ or steel 3-1/2" & 4" splice boxes. Supplied with gasket.
VFPS	Adapts fixture body to steel 4" square outlet boxes or 3-1/2" or 4" octagon boxes

VSL WALL/STANCHION MOUNTS

VSL MOUNTING BRACKETS			
CATALOG NUMBER	HUB SIZE	QTY.	DESCRIPTION
VB-1	1/2"	1	Wall mount to VJ or VB boxes
VB-2	3/4"	1	Wall mount to VJ or VB boxes
VFL	-	-	Wall mount to V boxes directly or to VJ, VB boxes with VBA adapter
VD-4	1-1/4"	1	Stanchion mount



VB



VFL



VD



LIGHTING VSL SERIES

UTILITY LIGHT – COMPONENTS, RATINGS & WEIGHTS



VSL GLOBES

VSL GLOBES – ORDERING INFORMATION AND SUFFIX GRID*				
COLOR	TEMPERED GLASS	OPTIC LOGIC	POLYCARBONATE	OPTIC LOGIC
Clear	VCGP-100	H*	VPLCG-100	P*
Amber	VAMGP-100	A	VPLCG-100A	A
Blue	VBGP-100	B	–	–
Ruby (Red)	VRGP-100	R	VPLCG-100R	R
Green	–	–	VPLCG-100G	G
Blue-Green	VGGP-100	BG	–	–
White	VWGP-100	W	VPLCG-100W	W

* Use tempered glass or polycarbonate globes for wet location applications.



VSL COMPONENTS

VSL COMPONENT PARTS AND ACCESSORIES	
CATALOG NUMBER	DESCRIPTION
VAG-100	Aluminum Guard for use with Glass Globe
VAG-100R	Red Aluminum Guard for use with Glass Globe
VTG-S	Body to Splice Box Gasket – Silicone
VTGG1-S	Globe Gasket – Silicone

Typical Weights (lbs.) w/Standard Globe and Guard – VSL Series

Pendant 7.03	Ceiling 7.51	Wall 8.09	Stanchion 7.61
--------------	--------------	-----------	----------------

VSL THERMAL RATINGS

VSL THERMAL PERFORMANCE DATA INCLUDING VPRSD-100 REFLECTOR						
CATALOG NUMBER	AMBIENT	C1D2		C2D2		SUPPLY WIRE
		GLASS GLOBE	POLY GLOBE	GLASS GLOBE	POLY GLOBE	
VSL1330	40°C	T6	T5	T5 (F,G)	T5 (F,G)	90°
VSL1330	55°C	T5	–	–	–	90°
VSL1630	40°C	T5	–	T5 (F,G)	–	90°

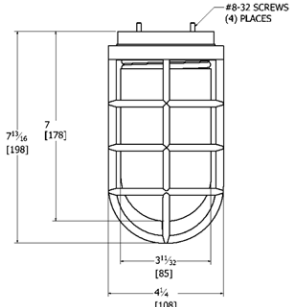
VSL ELECTRICAL RATINGS

VSL LED BODY WITH DRIVERS AND LEDS – ELECTRICAL RATINGS					
CATALOG NUMBER	VOLTAGE 50/60HZ	WATTS	AMPS 120/277	LUMENS	WEIGHT LBS.
VSL1330	120-277VAC	12.42	.108/.047	1300	5.0
VSL1630	120-277VAC	15.64	.156/.067	1625	5.0

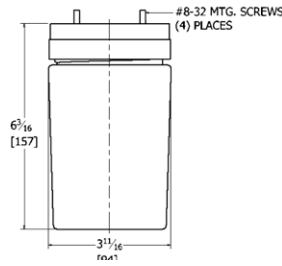
DELIVERED LUMENS			
WATTS	W/ GLOBE VCGP-100	W/GLOBE VPLCG-100	W/GLOBE VWGP-100
13W	1211	1104	905
16W	1328	1308	1072



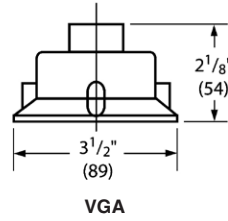
UTILITY LIGHT – DIMENSIONS



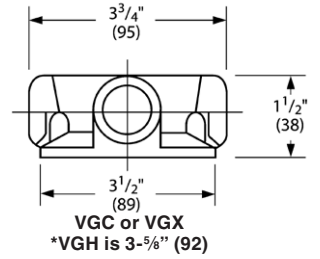
VSL Body w/Globe & Guard, No Splice Box



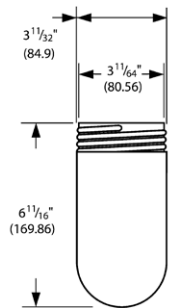
VSL Body w/Polycarbonate Globe, No Splice Box



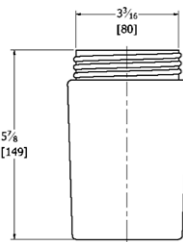
VGA



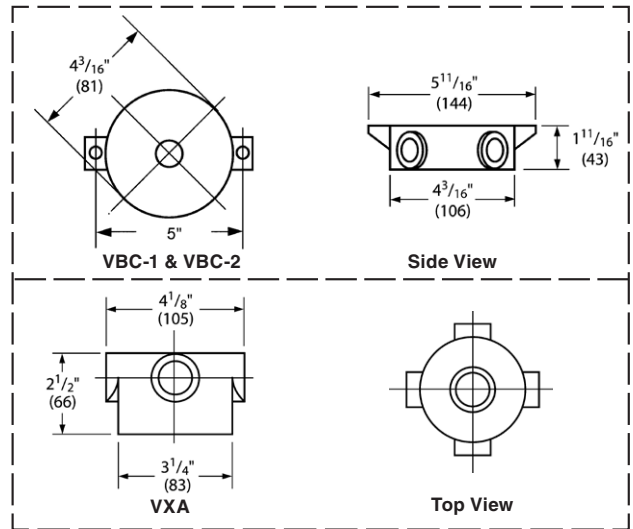
**VGC or VGX
*VGH is 3-9/8 [92]**



Glass Globe



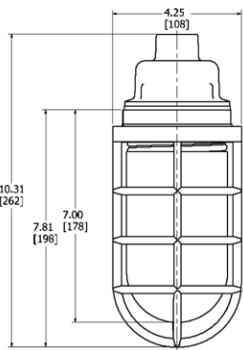
Polycarbonate Globe



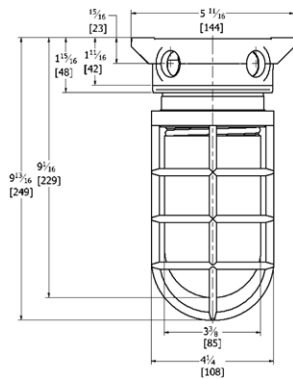
VBC-1 & VBC-2

Side View

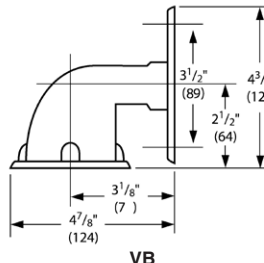
Top View



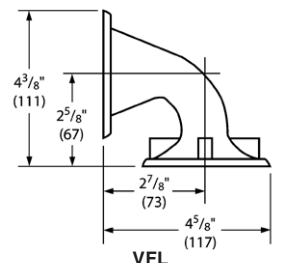
VSL Pendant Fixture w/Globe & Guard



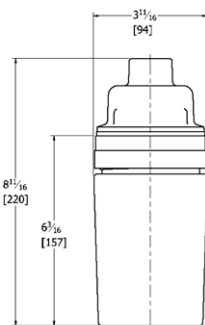
VSL Ceiling Fixture w/Globe & Guard



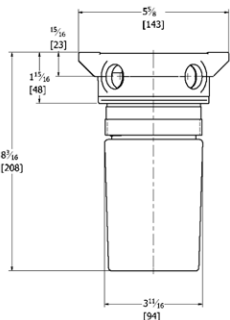
VB



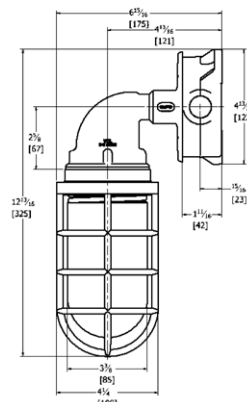
VFL



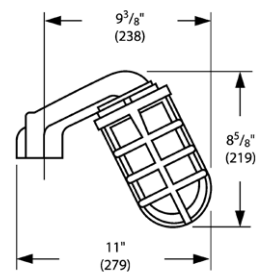
VSL Pendant Fixture w/ Polycarbonate Globe



VSL Ceiling Fixture w/Polycarbonate Globe



VSL Wall Mounted Fixture w/Globe & Guard



VSL Stanchion Fixture w/Globe & Guard



LIGHTING DVL SERIES

CLASS II UTILITY LIGHT – INTRODUCTION



Class II, Div. 1 & 2, Groups E, F, G
Class III
Class I, Div. 2, Groups A, B, C, D

 Certified - File LR11713

FEATURES-SPECIFICATIONS

Features

- Compact in Size with Traditional Industrial Appearance and Suitability
- DVL LED Housings can be retrofitted to existing DV Series splice boxes; upgrade from incandescent housing 100 Series components
- Long Fixture Life – 50,000 - 55,000 maintenance free hours
- Crisp White Light for Excellent Color Rendering – Chromaticity 5000°K (CCT); 70 CRI
- Integral driver – maintains fixture's compact profile to fit in existing spaces
- Instant on – including after power interruption
- Solder-LESS LED Board Connections – Vibration Resistant

Materials

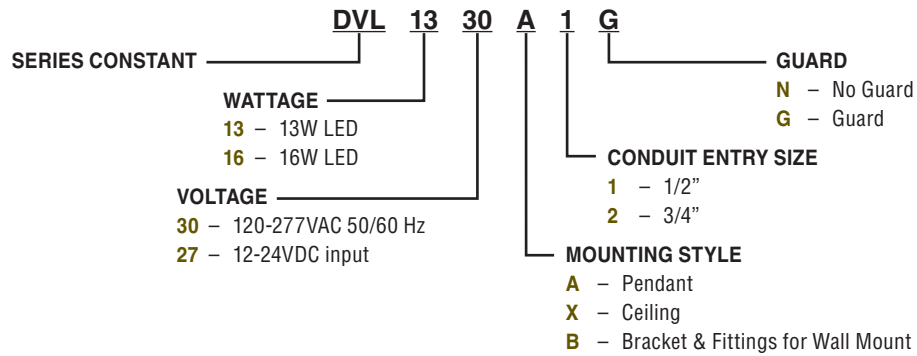
- Body and splice box are corrosion resistant copper-free aluminum alloy. Steel guard.
- Baked powder epoxy/polyester finish, electrostatically applied for complete, uniform corrosion protection

Electrical Ratings

- "World Voltage" 120-277VAC 50/60Hz



CLASS II UTILITY LIGHT – ORDERING INFORMATION

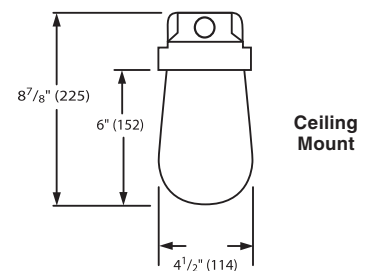
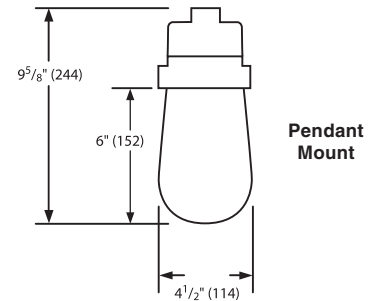


ACCESSORIES/COMPONENTS			
BODIES		MOUNTS	
DVL 1330	LED 13W	DVA1	1/2" Pendant Mount
DVL 1327	LED 13W	DVA2	3/4" Pendant Mount
DVL 1630	LED 16W	DVX1	1/2" Ceiling Mount
DVL 1627	LED 16W	DVX2	3/4" Ceiling Mount
		DVB1	1/2" Wall Mount
		DVB2	3/4" Wall Mount
GLOBE		GUARD	
DCGE-10		DAG-100	

DVL 100 SERIES						
MODEL	LAMP	HUB	PENDANT	CEILING	WALL	DELIVERED LUMENS
Type 100 13Watt	Included	1/2"	DVL1330A1G	DVL1330X1G	DVL1330B1G	1144
		3/4"	DVL1330A2G	DVL1330X2G	DVL1330B2G	
Type 100 16Watt	Included	1/2"	DVL1630A1G	DVL1630X1G	DVL1630B1G	1355
		3/4"	DVL1630A2G	DVL1630X2G	DVL1630B2G	

DVL THERMAL RATINGS					
CAT. NO.	AMBIENT	WATTS	C2D1 EFG	C1D2 ABCD	SUPPLY WIRE
DVL1330	40°C	13	T3B	T6	90°C
DVL1630	40°C	16	T3B	T6	90°C
DVL1330	55°C	13	—	T5	90°C
DVL1630	55°C	16	—	T5	90°C

DIMENSIONS



Wall Mount overall dimensions
Height = 13.125" (333mm)
Outward from wall = 7.4" (188mm)



LIGHTING
NV2 SERIES

NON-METALLIC CORROSION RESISTANT HAZARDOUS FIXTURES

ENVIRO*RITE*® II



Pendant
Incandescent



Pendant
Fluorescent



Ceiling
Incandescent



Ceiling
Fluorescent

Class I, Div. 2, Groups A,B,C,D
Class I, Zone 2, Groups IIC,IIB,IIA
Class II, Div. 2, Groups F,G
Class III
UL Marine Rated (US only)
Type 3, 4, 4X, IP66

UL Certified - File LR11713

ABS Type Approval

UL to the following standards:
UL 1598 Standard for luminaires
UL 1598A Marine type luminaires
UL 844 Standard for lighting
fixtures for hazardous locations
CSA C22.2 no. 137-M1981
electric luminaires for use in
hazardous locations
Enclosed and gasketed
NEMA 3, 4X, IP66

FEATURES-SPECIFICATIONS

Features

- NV2 Series non-metallic light fixtures combine an outstanding balance of strength, stiffness, toughness and electrical properties
- Energy and labor saving fluorescent or incandescent models
- Accessories include polycarbonate dome reflectors and wall extension
- Molded from 30% glass-filled thermoset polyester for high strength
- Resists corrosive effects of most chemicals, hydrocarbons and solvents
- Designed for indoor and outdoor, globe down applications.

Materials:

- Molded from 30% glass-filled thermoset polyester for high strength



NON-METALLIC CORROSION RESISTANT HAZARDOUS FIXTURES

PENDANT 3/4" FIXTURE W/ GLOBE & GUARD	
TYPE	TEMPERED GLOBE
15 W Incan.	NV2IG15AHG
13 W Fluor.	NV2FG13AHG
18 W Fluor.	NV2FG18AHG
26 W Fluor.	NV2FG26AHG
32 W Fluor.	NV2FG32AHG
42 W Fluor.	NV2FG42AHG

CEILING 3/4" FIXTURE W/ GLOBE & GUARD*	
TYPE	TEMPERED GLOBE
150 W Incan.	NV2IG15XHG
13 W Fluor.	NV2FG13XHG
18 W Fluor.	NV2FG18XHG
26 W Fluor.	NV2FG26XHG
32 W Fluor.	NV2FG32XHG
42 W Fluor.	NV2FG42XHG

WALL 3/4" FIXTURE W/ GLOBE & GUARD*	
TYPE	TEMPERED GLOBE
150 W Incan.	NV2IG15BHG
13 W Fluor.	NV2FG13BHG
18 W Fluor.	NV2FG18BHG
26 W Fluor.	NV2FG26BHG
32 W Fluor.	NV2FG32BHG
42 W Fluor.	NV2FG42BHG

***Notes:**

Tempered Globes are required for Wet Location applications

All assemblies are unit packed with required components (not assembled)

Fluorescent unit pack models (only) include the lamp

Reflector is sold separately. For wall mounting with reflector, the NVEXTG extension is required and sold separately

Fluorescent models use "world voltage" ballasts for 120VAC through 277VAC 50/60Hz applications

Incandescent models 277VAC max.

For M20 ceiling units change "X" in part # to "M". For wall units change "B" to "W".

M20 Pendant not available.

* Incandescent lamp bulb size A

Colored Globe Options**

Example: NV2IG15AHG-R for Ruby Tempered Globe

SUFFIX AND AVAILABLE COMBINATIONS	
COLOR	TEMPERED GLOBE
Amber	A
Blue	BG
Ruby	R
Green	NA
Purple	NA
Blue-Green	BG

**Tempered globes are required for wet locations.

T-CODES @ 40°C MAX; WITH OR WITHOUT REFLECTOR						
GLOBE TYPE	CLASS II DIV.2		CLASS II DIV.2		MINIMUM START	
	CLEAR	COLOR	CLEAR	COLOR	°C	°F
75 W	T2C	T2B	T3C	-	-	-
100 W	T2A	T2	T3C	-	-	-
150 W	T2B	T2	-	-	-	-
13 Fluor	T3C	T3C	T4A	T4A	-20	-4
18 Fluor	T3C	T3C	T4A	T4A	-20	-4
26 Fluor	T3B	T3A	T4A	T4A	-20	-4
32 Fluor	T3B	T3A	T4A	T4A	-20	-4
42 Fluor	T2D	T2C	T4A	T4A	-20	-4

Min. supply wire Fluor. 60°C, Incan. 90°C

FLUORESCENT OPERATING MAX. AMPS		
TYPE	120 VAC	277 VAC
13W Fluor	0.144	0.067
18W Fluor	0.158	0.073
26W Fluor	0.22	0.097
32W Fluor	0.285	0.128
42W Fluor	0.38	0.166



LIGHTING
NV2 SERIES

NON-METALLIC CORROSION RESISTANT HAZARDOUS FIXTURES



Wall Mount
Incandescent



Wall Mount
Fluorescent



Wall Mount with
Extension and Dome
Reflector accessories

COMPONENT PARTS



Pendant



Ceiling/Wall



Wall Elbow



Ceiling/Wall
(Interior Detail)



Incandescent



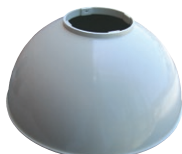
Fluorescent



Globe



Guard



Reflector



Extension

NV2 SPLICE BOXES - INCLUDES SILICONE GASKETS & BRASS SCREWS

CATALOG NUMBER	DESCRIPTION		
NV2AG	Pendant	3/4" NPT	Pendant splice box includes a 316 stainless steel set screw at the conduit connection
NV2XG ^①	Ceiling Box	3/4" NPT	Ceiling box vol. 24 cu. inches
NV2MG ^①		M20	
NV2BG	Wall Bracket		Use with NV2XG or NV2MG for wall mount

NV2 BODIES

CATALOG NUMBER	DESCRIPTION
NV2IG15	Incandescent Body with E-26 medium base socket; fixture rated voltage 277VAC max.
NV2FG13	13 W Fluorescent Body World Voltage 120V - 277V 50/60Hz
NV2FG18	18 W Fluorescent Body World Voltage 120V - 277V 50/60Hz
NV2FG26	26 W Fluorescent Body World Voltage 120V - 277V 50/60Hz
NV2FG32	32 W Fluorescent Body World Voltage 120V - 277V 50/60Hz
NV2FG42	42 W Fluorescent Body World Voltage 120V - 277V 50/60Hz

NV2 GLASS GLOBES & GUARDS ^②

CATALOG NUMBER	DESCRIPTION	
VCGP-100	Clear, Tempered	150 watt Lamp size A-21 max.
NV2GG		Guard

NV2 REFLECTORS AND EXTENSION

CATALOG NUMBER	DESCRIPTION
NVPSD12	White Polycarbonate Reflector (secured by guard)
NVEXTG	Extension (for wall mount fixture with reflector)

NV2 F FLUORESCENT REPLACEMENT LAMPS AND BALLASTS

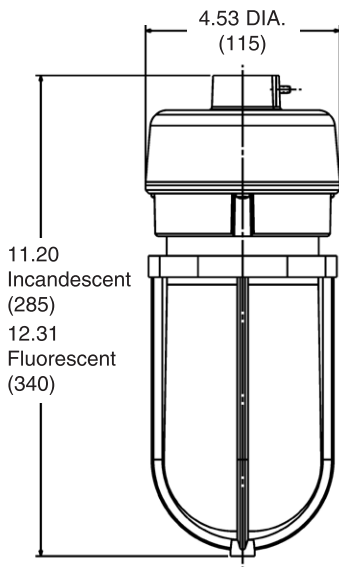
CATALOG NUMBER	LAMP DESCRIPTION	BALLAST DESCRIPTION
MLQ13	13 W Quad-Pin Lamp 900 Lumens	BKF131830 13/18 WATT REP. BALLAST
MLQ18	18 W Quad-Pin Lamp 1200 Lumens	
MLQ26	26 W Quad-Pin Lamp 1800 Lumens	
MLQ32	32 W Quad-Pin Lamp 2400 Lumens	BKF26324230 26/32/42 WATT REP. BALLAST
MLQ42	42 W Quad-Pin Lamp 3200 Lumens	

^① NV2 ceiling (wall) boxes have 4 10-32 brass inserts with 2 ground screws. May be used for wet locations, as terminal/junction, boxes, or instruments using 'clear' blank cover.

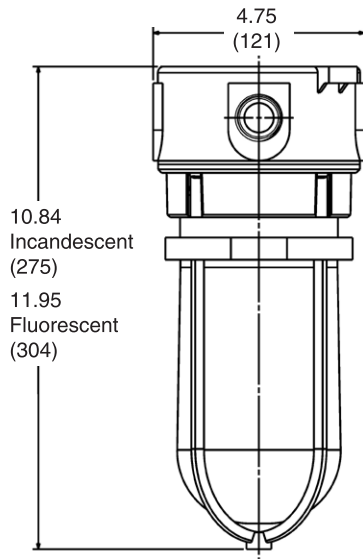
^② Use tempered globes for wet locations.



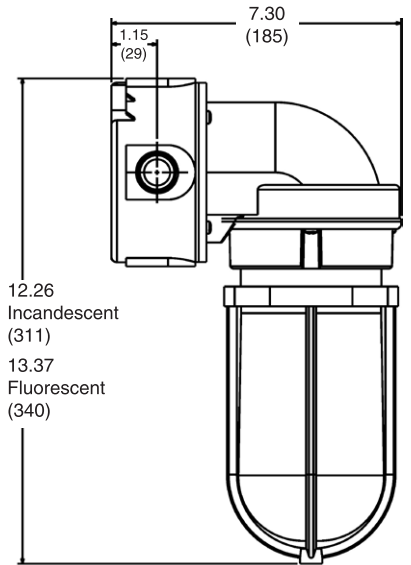
DIMENSIONS



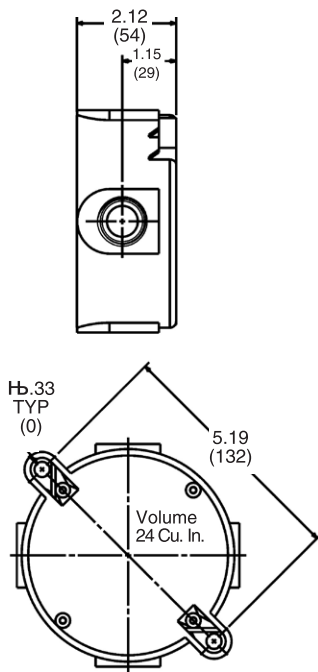
Pendant



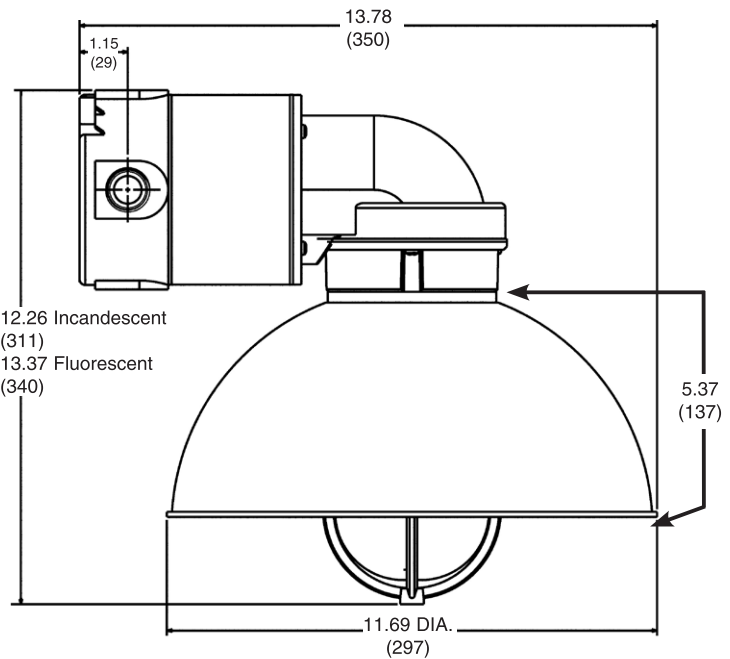
Ceiling



Wall



NV2XG



Wall mount with optional reflector and with extension.
 Extension required only for wall mount units using reflector.
 * NOTE: Dimensional diagrams show incandescent models, but include height also for fluorescent.



LIGHTING
NVPI/NVPF SERIES

NON-METALLIC/NON-GLASS FIXTURES

ENVIRO*RITE*[®] II



Pendant Fluorescent



Ceiling Incandescent



Wall Mount Fluorescent

**Class II, Div. 2, Groups F,G
Type 3, 4, 4X**

Certified* - File LR11713

to the following standards:

**UL 1598 Standard for luminaires
UL 844 Standard for lighting
fixtures for hazardous locations
CSA C22.2 no. 137-M1981
electric luminaires for use in
hazardous locations
Enclosed and gasketed
Type 3, 4X**

FEATURES-SPECIFICATIONS

Features

- NVP Series non-metallic light fixtures combine an outstanding balance of strength, stiffness, toughness and electrical properties
- Polycarbonate lens
- Energy and labor saving fluorescent or incandescent models
- Molded from 30% glass-filled thermoset polyester for high strength
- Resists corrosive effects of most chemicals, hydrocarbons and solvents
- Designed for indoor and outdoor globe down applications
- All assemblies are unit packed with required components (not assembled)
- Fluorescent unit pack models (only) include the lamp
- Fluorescent models use "world voltage" ballasts for 120VAC through 277VAC 50/60Hz applications
- For M20 ceiling units change "X" in part # to "M". For wall units change "B" to "W". M20 Pendant not available

Materials:

- Molded from 30% glass-filled thermoset polyester for high strength



NON-METALLIC/NON-GLASS FIXTURES

PENDANT 3/4" CLEAR POLYCARBONATE GLOBE & GUARD*

40W Incan. ①	NVPIG40AG
13 W Fluor.	NVPFG13AG
18 W Fluor.	NVPFG18AG
26 W Fluor.	NVPFG26AG

CEILING 3/4" CLEAR POLYCARBONATE GLOBE & GUARD*

40W Incan. ①	NVPIG40XG
13 W Fluor.	NVPFG13XG
18 W Fluor.	NVPFG18XG
26 W Fluor.	NVPFG26XG

WALL 3/4" CLEAR POLYCARBONATE GLOBE & GUARD*

40W Incan. ①	NVPIG40BG
13 W Fluor.	NVPFG13BG
18 W Fluor.	NVPFG18BG
26 W Fluor.	NVPFG26BG

Self-ballasted CFL's for 26W①

APPLICATION DATA ①

WATTAGE & TYPE	CLASS II DIV.2 CLEAR OR COLOR	MIN. START		CURRENT FLUOR. VAC	
		C°	F°	120V	277V
40W ①	F, G	—	—	—	—
13 Fluor	F, G	-20°C	-4°F	0.144	0.067
18 Fluor	F, G	-20°C	-4°F	0.158	0.073
26 Fluor	F, G	-20°C	-4°F	0.22	0.097

① Incandescent models w/medium base socket marked for 40W 277V Max or self-ballasted CFL's to 26W max, lamps F.O.B

POLYCARBONATE GLOBE OPTIONS FOR ASSEMBLIES: RED OR GREEN

For RED polycarbonate add -R e.g. NVPIG75AG-R

For GREEN polycarbonate add -G e.g. NVPIG75AG-G

COMPONENTS **

CATALOG NUMBER	DESCRIPTION
NVPIG40 ①	Incandescent Body with E26 socket; 40W Max ①
NVPFG13	13W Fluor Body & 120 - 277VAC 50/60Hz Ballast (less lamp)
NVPFG18	18W Fluor Body & 120 - 277VAC 50/60Hz Ballast (less lamp)
NVPFG26	26W Fluor Body & 120 - 277VAC 50/60Hz Ballast (less lamp)
NV2AG	3/4" Pendant splice box
NV2XG	3/4" Ceiling splice box
NV2BG	Elbow (used between NV2XG and Fixture Body)
NV2GG	Guard
VPLCG100	Clear Poly Globe 40W "A" MAX
VPLCG100R	Red Poly Globe 40W "A" MAX
VPLCG100G	Green Poly Globe 40W "A" MAX

* Reflectors are not recommended - globe taper prevents guard from holding reflector securely.



LIGHTING

V SERIES • WEATHERPROOF

INCANDESCENT COPPER-FREE ALUMINUM FIXTURES - INTRODUCTION



Enclosed & Gasketed

 LISTED - File E27731

 Certified - File LR11851

FEATURES-SPECIFICATIONS

V Series

Enclosed & Gasketed

Features

- Electrostatically applied epoxy/polyester finish
- Modular design
- Hubs are threaded for attachment to conduit
- Set screws in pendant fixture
- Copper-free aluminum (less than .004%)

Materials

- Body, splice box and guards are corrosion resistant copper-free aluminum alloy
- Baked powder epoxy/polyester finish, electrostatically applied for complete, uniform corrosion protection



INCANDESCENT COPPER-FREE ALUMINUM FIXTURES



PENDANT MOUNT WITH VGA SPLICE BOX DANT

FITTURE TYPE	LAMP WATT	HUB SIZE	CATALOG NUMBER		CONSISTS OF			
			FIXTURE W/ GLOBE	FIXTURE W/ GLOBE & GUARD	MOUNTING BOX	FIXTURE BODY	TEMPERED GLOBE*	GUARD (if selected)
100	150	1/2"	VUAG-1-100Ⓞ	VUAGG-1-100ⓐ	VGA-1	VFC-100	VCGP-100	VAG-100
		3/4"	VUAG-2-100Ⓞ	VUAGG-2-100ⓐ	VGA-2	VFC-100	VCGP-100	VAG-100
200	300	1/2"	VUAG-1-200Ⓞ	VUAGG-1-200ⓐ	VGA-1	VFC-200	VCGP-200	VAG-200
		3/4"	VUAG-2-200Ⓞ	VUAGG-2-200ⓐ	VGA-2	VFC-200	VCGP-200	VAG-200

CEILING MOUNT WITH FEET USING VBC SPLICE BOX AND VBA ADAPTER

FITTURE TYPE	LAMP WATT	HUB SIZE	CATALOG NUMBER		CONSISTS OF			
			FIXTURE W/ GLOBE	FIXTURE W/ GLOBE & GUARD	MOUNTING BOX/ADAPTER	FIXTURE BODY	TEMPERED GLOBE*	GUARD (if selected)
100	150	1/2"	VUXG-1-100ⓐ	VUXGG-1-100ⓐ	VBC-1 + VBA	VFC-100	VCGP-100	VAG-100
		3/4"	VUXG-2-100ⓐ	VUXGG-2-100ⓐ	VBC-2 + VBA	VFC-100	VCGP-100	VAG-100
200	300	1/2"	VUXG-1-200Ⓞ	VUXGG-1-200Ⓞ	VBC-1 + VBA	VFC-200	VCGP-200	VAG-200
		3/4"	VUXG-2-200Ⓞ	VUXGG-2-200Ⓞ	VBC-2 + VBA	VFC-200	VCGP-200	VAG-200

CEILING MOUNT WITH VGX SPLICE BOX

FITTURE TYPE	LAMP WATT	HUB SIZE	CATALOG NUMBER		CONSISTS OF			
			FIXTURE W/ GLOBE	FIXTURE W/ GLOBE & GUARD	MOUNTING BOX	FIXTURE BODY	TEMPERED GLOBE*	GUARD (if selected)
100	150	1/2"	VUXG-1-100Ⓞ	VUXGG-1-100Ⓞ	VGX-1	VFC-100	VCGP-100	VAG-100
		3/4"	VUXG-2-100Ⓞ	VUXGG-2-100Ⓞ	VGX-2	VFC-100	VCGP-100	VAG-100
200	300	1/2"	VUXG-1-200Ⓞ	VUXGG-1-200Ⓞ	VGX-1	VFC-200	VCGP-200	VAG-200
		3/4"	VUXG-2-200Ⓞ	VUXGG-2-200Ⓞ	VGX-2	VFC-200	VCGP-200	VAG-200

CEILING MOUNT WITH VGC SPLICE BOX - FEED THROUGH

FITTURE TYPE	LAMP WATT	HUB SIZE	CATALOG NUMBER		CONSISTS OF			
			FIXTURE W/ GLOBE	FIXTURE W/ GLOBE & GUARD	MOUNTING BOX	FIXTURE BODY	TEMPERED GLOBE*	GUARD (if selected)
100	150	1/2"	VUXG-1-100Ⓞ	VUXGG-1-100Ⓞ	VGC-1	VFC-100	VCGP-100	VAG-100
		3/4"	VUXG-2-100Ⓞ	VUXGG-2-100Ⓞ	VGC-2	VFC-100	VCGP-100	VAG-100
200	300	1/2"	VUXG-1-200Ⓞ	VUXGG-1-200Ⓞ	VGC-1	VFC-200	VCGP-200	VAG-200
		3/4"	VUXG-2-200Ⓞ	VUXGG-2-200Ⓞ	VGC-2	VFC-200	VCGP-200	VAG-200

* For other colors, order globes and fixture components separately.

ⓐ Fixture supplied as component unit pack when ordered by this catalog number.

Ⓞ Catalog number for ordering convenience; fixture is shipped as components as listed in catalog number table.



LIGHTING

V SERIES • WEATHERPROOF

INCANDESCENT COPPER-FREE ALUMINUM FIXTURES



CEILING MOUNT WITH VGH SPlice BOX - DEAD END								
FIXTURE TYPE	LAMP WATT	HUB SIZE	CATALOG NUMBER		CONSISTS OF			
			FIXTURE W/ GLOBE	FIXTURE W/ GLOBE & GUARD	MOUNTING BOX	FIXTURE BODY	TEMPERED GLOBE*	GUARD (if selected)
100	150	1/2"	VUHG-1-100 [ⓐ]	VUHGG-1-100 [ⓐ]	VGH-1	VFC-100	VCGP-100	VAG-100
		3/4"	VUHG-2-100 [ⓐ]	VUHGG-2-100 [ⓐ]	VGH-2	VFC-100	VCGP-100	VAG-100
200	300	1/2"	VUHG-1-200 [ⓐ]	VUHGG-1-200 [ⓐ]	VGH-1	VFC-200	VCGP-200	VAG-200
		3/4"	VUHG-2-200 [ⓐ]	VUHGG-2-200 [ⓐ]	VGH-2	VFC-200	VCGP-200	VAG-200

CEILING MOUNT WITH VXA DEEP 5 - HUB SPlice BOX								
FIXTURE TYPE	LAMP WATT	HUB SIZE	CATALOG NUMBER		CONSISTS OF			
			FIXTURE W/ GLOBE	FIXTURE W/ GLOBE & GUARD	MOUNTING BOX	FIXTURE BODY	TEMPERED GLOBE*	GUARD (if selected)
100	150	1/2"	VXAG-110 [ⓐ]	VXAGG-110 [ⓑ]	VXA-1	VFC-100	VCGP-100	VAG-100
		3/4"	VXAG-210 [ⓐ]	VXAGG-210 [ⓐ]	VXA-2	VFC-100	VCGP-100	VAG-100
200	300	1/2"	VXAG-120 [ⓐ]	VXAGG-120 [ⓐ]	VXA-1	VFC-200	VCGP-200	VAG-200
		3/4"	VXAG-220 [ⓐ]	VXAGG-220 [ⓐ]	VXA-2	VFC-200	VCGP-200	VAG-200

CEILING MOUNT WITH VBA ADAPTER FOR ROUND OUTLET BOX								
FIXTURE TYPE	LAMP WATT	HUB SIZE	CATALOG NUMBER		CONSISTS OF			
			FIXTURE W/ GLOBE	FIXTURE W/ GLOBE & GUARD	BOX ADAPTER	FIXTURE BODY	TEMPERED GLOBE*	GUARD (if selected)
100	150	1/2"	VOB-100 [ⓑ]	VOBG-100 [ⓑ]	VBA	VFC-100	VCGP-100	VAG-100
200	300	3/4"	VOB-200 [ⓐ]	VOBG-200 [ⓑ]	VBA	VFC-200	VCGP-200	VAG-200

CEILING MOUNT WITH VFPS ADAPTER FOR SQUARE OR OCTAGON OUTLET BOX								
FIXTURE TYPE	LAMP WATT	HUB SIZE	CATALOG NUMBER		CONSISTS OF			
			FIXTURE W/ GLOBE	FIXTURE W/ GLOBE & GUARD	BOX ADAPTER	FIXTURE BODY	TEMPERED GLOBE*	GUARD (if selected)
100	150	1/2"	VFCA-100 [ⓑ]	VFCAG-100 [ⓐ]	VFPS	VFC-100	VCGP-100	VAG-100
200	300	3/4"	VFCA-200 [ⓐ]	VFCAG-200 [ⓐ]	VFPS	VFC-200	VCGP-200	VAG-200

NOTES: Mounts directly to steel 4" square and 3-1/2" or 4" octagon outlet box. Supplied with gasket.

* For other colors, order globe and fixture components separately.

ⓑ Fixture supplied as component unit pack when ordered by this catalog number.

ⓐ Catalog number for ordering convenience; fixture is shipped as components as listed in catalog number table.



INCANDESCENT COPPER-FREE ALUMINUM FIXTURES



WALL MOUNT WITH FEET USING VBC SPLICE BOX AND VB ELBOW

FITTURE TYPE	LAMP WATT	HUB SIZE	CATALOG NUMBER		CONSISTS OF			
			FIXTURE W/ GLOBE	FIXTURE W/ GLOBE & GUARD	MOUNTING BOX/ELBOW	FIXTURE BODY	TEMPERED GLOBE*	GUARD (if selected)
100	150	1/2"	VFBG-1-100 ^①	VFBGG-1-100 ^①	VBC-1+VB-1	VFC-100	VCGP-100	VAG-100
		3/4"	VFBG-2-100 ^①	VFBGG-2-100 ^①	VBC-2+VB-2	VFC-100	VCGP-100	VAG-100
200	300	1/2"	VFBG-1-200 ^②	VFBGG-1-200 ^②	VBC-1+VB-1	VFC-200	VCGP-200	VAG-200
		3/4"	VFBG-2-200 ^②	VFBGG-2-200 ^②	VBC-2+VB-2	VFC-200	VCGP-200	VAG-200

WALL MOUNT WITH VB ELBOW TO MOUNT TO 4" OUTLET BOX

FITTURE TYPE	LAMP WATT	HUB SIZE	CATALOG NUMBER		CONSISTS OF			
			FIXTURE W/ GLOBE	FIXTURE W/ GLOBE & GUARD	MOUNTING ELBOW	FIXTURE BODY	TEMPERED GLOBE*	GUARD (if selected)
100	150	1/2"	VFBG-110 ^②	VFBGG-110 ^①	VB-1	VFC-100	VCGP-100	VAG-100
		3/4"	VFBG-210 ^②	VFBGG-210 ^①	VB-2	VFC-100	VCGP-100	VAG-100
200	300	1/2"	VFBG-120 ^②	VFBGG-120 ^②	VB-1	VFC-200	VCGP-200	VAG-200
		3/4"	VFBG-220 ^②	VFBGG-220 ^②	VB-2	VFC-200	VCGP-200	VAG-200

Mounts directly to VJ or VB Series or 4" steel outlet boxes. One hub in back, supplied with gasket.

WALL MOUNT-WITH VFL ELBOW FOR DIRECT MOUNT TO V SERIES SPLICE BOXES

FITTURE TYPE	LAMP WATT	HUB SIZE	CATALOG NUMBER		CONSISTS OF			
			FIXTURE W/ GLOBE	FIXTURE W/ GLOBE & GUARD	MOUNTING ELBOW	FIXTURE BODY	TEMPERED GLOBE*	GUARD (if selected)
100	150	—	VOBL-100 ^②	VOBLG-100 ^①	VFL	VFC-100	VCGP-100	VAG-100
200	300	—	VOBL-200 ^②	VOBLG-200 ^②	VFL	VFC-200	VCGP-200	VAG-200

STANCHION MOUNT FOR 1 - 1/4" THREADED PIPE

FITTURE TYPE	LAMP WATT	HUB SIZE	CATALOG NUMBER		CONSISTS OF			
			FIXTURE W/ GLOBE	FIXTURE W/ GLOBE & GUARD	MOUNTING ELBOW	FIXTURE BODY	TEMPERED GLOBE*	GUARD (if selected)
100	150	1-1/4"	VD-410G ^①	VD-410GG ^①	VD-4	VFC-100	VCGP-100	VAG-100
200	300	1-1/4"	VD-420G ^②	VD-420GG ^②	VD-4	VFC-200	VCGP-200	VAG-200

*For other colors, order globe and fixture components separately.

① Fixture supplied as component unit pack when ordered by this catalog number.

② Catalog number for ordering convenience; fixture is shipped as components as listed in catalog number table.



LIGHTING
V SERIES

INCANDESCENT NEMA 4 - CLASS I, DIV. 2 ALUMINUM FIXTURES



Pendant



Ceiling

Class I, Div. 2, Groups A,B,C,D
Class I, Zone 2, Groups IIC,IIB,IIA
Type 3, 4*



- File E10514

UL-1571 Standard for incandescent fixtures

UL-844 Standard for hazardous location fixtures



Certified - File LR11713

FEATURES-SPECIFICATIONS

Features

Killark Vaportight assemblies using VXFC bodies and tempered glass have all the features and advantages of “V” Enclosed and Gasketed” models plus:

- Heavy-duty silicone gasketing for NEMA 4 requirements
- Third party tested and labeled for use in C1D2 areas
- Modular design permits selection of splice box, fixture body, globe, guard and reflector for specific or custom applications
- Existing V Series mounting boxes may be retrofitted to upgrade to NEMA 4; C1D2 suitability
- Copper-free aluminum construction with electrostatically applied epoxy/polyester finish resists corrosion

Materials:

- Body, splice box and guards are corrosion resistant copper-free aluminum alloy
- Baked powder epoxy/polyester finish, electrostatically applied for complete, uniform corrosion protection
- Heavy-duty silicone gasketing for Type 4 requirements

APPLICATION DATA ①			
FIXTURE TYPE	LAMP SIZE	GLOBE TYPE	TEMPERATURE CODE @ 40°C
100	A-19 60W	colored and clear	T2C (230°C)
100	A-19 70W	colored and clear	T2D (215°C)
100	A-19 100W	colored and clear	T2A (280°C)
100	A-21 100W	colored and clear	T2B (260°C)
100	A-21 150W	colored and clear	T2 (300°C)
200	A-23 150W	colored and clear	T2A (280°C)
200	PS-25 150W	colored and clear	T2B (260°C)
200	A-23 200W	colored and clear	T2 (300°C)
200	PS-25 200W	colored and clear	T2A (280°C)
200	PS-25 300W	colored and clear	(350°C)

① Suitability based on base up installation



INCANDESCENT NEMA 4 - CLASS I, DIV. 2 ALUMINUM FIXTURES



PENDANT MOUNT WITH VGA SPLICE BOX

FITTURE TYPE	LAMP WATT	HUB SIZE	CATALOG NUMBER	CONSISTS OF			
			FITTURE W/ GLOBE & GUARD	MOUNTING BOX	FITTURE BODY	TEMPERED GLOBE*	GUARD
100	150	1/2"	VUAGG-1-100PX ①	VGA-1	VXFC-100 N34	VCGP-100	VAG-100
		3/4"	VUAGG-2-100PX ①	VGA-2	VXFC-100 N34	VCGP-100	VAG-100
200	300	1/2"	VUAGG-1-200PX ①	VGA-1	VXFC-200 N34	VCGP-200	VAG-200
		3/4"	VUAGG-2-200PX ①	VGA-2	VXFC-200 N34	VCGP-200	VAG-200

CEILING FIXTURE WITH VGX SPLICE BOX

FITTURE TYPE	LAMP WATT	HUB SIZE	CATALOG NUMBER	CONSISTS OF			
			FITTURE W/ GLOBE & GUARD	MOUNTING BOX	FITTURE BODY	TEMPERED GLOBE*	GUARD
100	150	1/2"	VUXGG-1-100PX ①	VGX-1	VXFC-100 N34	VCGP-100	VAG-100
		3/4"	VUXGG-2-100PX ①	VGX-2	VXFC-100 N34	VCGP-100	VAG-100
200	300	1/2"	VUXGG-1-200PX ②	VGX-1	VXFC-200 N34	VCGP-200	VAG-200
		3/4"	VUXGG-2-200PX ②	VGX-2	VXFC-200 N34	VCGP-200	VAG-200

CEILING FIXTURE WITH MOUNTING FEET USING VBC SPLICE BOX & VBA ADAPTER

FITTURE TYPE	LAMP WATT	HUB SIZE	CATALOG NUMBER	CONSISTS OF			
			FITTURE W/ GLOBE & GUARD	MOUNTING BOX/ADAPTER	FITTURE BODY	TEMPERED GLOBE*	GUARD
100	150	1/2"	VUXBGG-1-100PX ①	VBC-1+VBA	VXFC-100 N34	VCGP-100	VAG-100
		3/4"	VUXBGG-2-100PX ①	VBC-2+VBA	VXFC-100 N34	VCGP-100	VAG-100
200	300	1/2"	VUXBGG-1-200PX ①	VBC-1+VBA	VXFC-200 N34	VCGP-200	VAG-200
		3/4"	VUXBGG-2-200PX ①	VBC-2+VBA	VXFC-200 N34	VCGP-200	VAG-200

STANCHION MOUNT FOR 1 - 1/4" THREADED PIPE

FITTURE TYPE	LAMP WATT	HUB SIZE	CATALOG NUMBER	CONSISTS OF			
			FITTURE W/ GLOBE & GUARD	MOUNTING BOX/ADAPTER	FITTURE BODY	TEMPERED GLOBE*	GUARD
100	150	1-1/4"	VD-410GGPX ①	VD-4	VXFC-100 N34	VCGP-100	VAG-100
200	300	1-1/4"	VD-420GGPX ①	VD-4	VXFC-200 N34	VCGP-200	VAG-200

WALL FIXTURE WITH MOUNTING FEET USING VBC SPLICE BOX & VB ELBOW

FITTURE TYPE	LAMP WATT	HUB SIZE	CATALOG NUMBER	CONSISTS OF			
			FITTURE W/ GLOBE & GUARD	MOUNTING BOX/ELBOW	FITTURE BODY	TEMPERED GLOBE*	GUARD
100	150	1/2"	VFBGG-1-100PX ①	VBC-1 + VB-1	VXFC-100 N34	VCGP-100	VAG-100
		3/4"	VFBGG-2-100PX ①	VBC-2 + VB-2	VXFC-100 N34	VCGP-100	VAG-100
200	300	1/2"	VFBGG-1-200PX ①	VBC-1 + VB-1	VXFC-200 N34	VCGP-200	VAG-200
		3/4"	VFBGG-2-200PX ①	VBC-2 + VB-2	VXFC-200 N34	VCGP-200	VAG-200

* For other colors, order globes and mounting components separately.

① Fixture supplied as component unit pack when ordered by this catalog number.

② NEMA 3, 4 when used with tempered glass.



LIGHTING
V SERIES

COMPONENT PARTS/ACCESSORIES • INCANDESCENT FIXTURES

VFC Fixture Bodies

Fixture bodies contain lamp receptacle and are threaded to accept globes, guards and reflectors. These fixture bodies are designed for metallic boxes and mount directly to V Series splice boxes. They may also be mounted to VJ Series, VB Series or other 4" outlet boxes with the use of the appropriate adapter plate. Each fixture body is supplied with gaskets.



VFC-100
VXFC-100 N34 ①



VFC-200
VXFC-200 N34 ①

V FIXTURE BODIES	
CATALOG NUMBER	DESCRIPTION
VFC-100	150W max. Enclosed and Gasketed Fixture Body
VFC-200	300W max. Enclosed and Gasketed Fixture Body
VXFC-100 N34	150W max. NEMA 3,4 - Class I, Div. 2 Fixture Body ①
VXFC-200 N34	300W max. NEMA 3,4 - Class I, Div. 2 Fixture Body ①

① Use VXFC body with tempered globe for NEMA 3, 4 - Class I, Div. 2 applications. VXFC body is Class I, Div. 2 only (not N3, N4) when used with standard globes. Consult temperature table for suitability.

V Splice Boxes

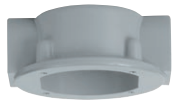
For use with types 100 and 200 fixture bodies



VGA



VGH



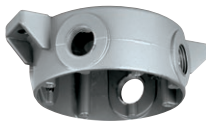
VGC



VGX



VXA



VBC



VBA



VFPS



VB



VFL



VD

V SPLICE BOXES			
CATALOG NUMBER	HUB SIZE & QTY.		DESCRIPTION
VGA-1	1/2" 1		Pendant mount
VGA-2	3/4" 1		
VGH-1	1/2" 1		Ceiling mount
VGH-2	3/4" 1		
VGC-1	1/2" 2		Ceiling mount
VGC-2	3/4" 2		
VGX-1	1/2" 4		Ceiling mount
VGX-2	3/4" 4		
VXA-1	1/2" 5		Ceiling mount , deep box
VXA-2	3/4" 5		
VBC-1*	1/2" 4		Ceiling mount, with 3 close-up plugs (requires VBA Adapter)
VBC-2*	3/4" 4		
VXAB	-	-	Blank close-up plate (less gasket)

* Volume cu. in. is 18.

V ADAPTER MOUNTING PLATES	
CATALOG NUMBER	DESCRIPTION
VBA	Adapts fixture body to VB, VJ or steel 3-1/2" & 4" splice boxes. Supplied with gasket.
VFPS	Adapts fixture body to steel 4" square outlet boxes or 3-1/2" or 4" octagon boxes

V MOUNTING BRACKETS			
CATALOG NUMBER	HUB SIZE	QTY.	DESCRIPTION
VB-1	1/2"	1	Wall mount to VJ or VB boxes
VB-2	3/4"	1	Wall mount to VJ or VB boxes
VFL	—	—	Wall mount to V boxes directly or to VJ, VB boxes with VBA adapter
VD-4	1-1/4"	1	Stanchion mount



COMPONENT PARTS/ACCESSORIES • INCANDESCENT FIXTURES



150 W Max.
Lamp Size A-21



300 W Max.
Lamp Size PS-25



Polycarbonate



Poly Color Globe

V GLASS GLOBES		
CATALOG NUMBER		DESCRIPTION
150 W A-21 LAMP	300 W PS-25 LAMP	
VCGP-100	VCGP-200	Clear Tempered. Thermal and shock resistant ①
VCGPT-100	—	Clear Tempered with silicone coating ②
VAMGP-100	—	Amber Tempered ①
VGGP-100	VGGP-200	Blue Green Tempered ①
VBGP-100	—	Blue Tempered ①
VRGP-100	VRGP-200	Ruby Tempered ①
VWGP-100	—	White Tempered Glass
75 W A-19 LAMP	150 W A-21 LAMP	Polycarbonate. Cannot be used with guard or in high ambient temperature locations (40°C/104°F max.) Not UL Listed.
VPLCG-100	VPLCG-200	

① Recommended for use with VXFC fixture base.

② TM Thomas Manufacturing.



Body To Splice Box
Gasket
100 or 200 Series
VTG Standard
VTG-S Silicone (pictured)



Globe Gasket
100 Series Standard - 15871AABB
200 Series Standard - VTGG (pictured)
100 Series Silicone - VTGG1-S
200 Series Silicone - VTGG2-S

V GUARDS	
CATALOG NUMBER	DESCRIPTION
VAG-100	100 Series Vaportite guard
VAG-200	200 Series Vaportite guard

V REFLECTORS		
CATALOG NUMBER	DESCRIPTION	
VPRSD-100	100 Series Vaportite Reflector	16 3/8" Dia. 5 5/8" High. White polypropylene for pendant & ceiling applications. Not for use with wall or stanchion models.
VPRSD-200	200 Series Vaportite Reflector	

V SERIES GASKET			
CATALOG NUMBER		TYPE	DESCRIPTION
100 SERIES	200 SERIES		
VTG		VFC	Fixture body to splice box
VTG-S		VXFC	Silicone, Fixture body to splice box
VBNB		—	Replacement Gaskets for VB-1/VB-2 and VBA
15871AABB	VTGG	VFC	Globe gasket
VTGG1-S	VTGG2-S	VFC	Silicone, globe gasket

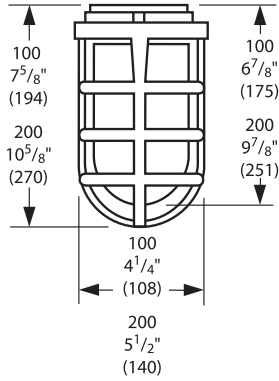


V LAMP SOCKET	
CATALOG NUMBER	DESCRIPTION
VRME	For fixture types 100 and 200

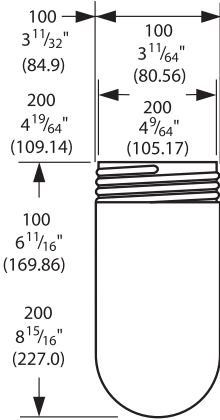


LIGHTING
V SERIES

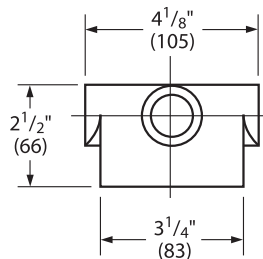
DIMENSIONS



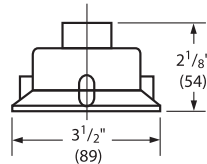
**V Fixture
w/o Splice Box**



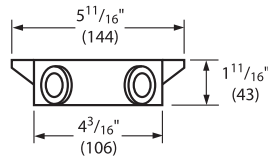
**V Fixture
Globes**



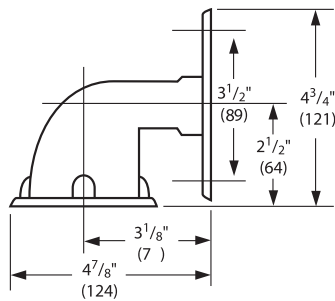
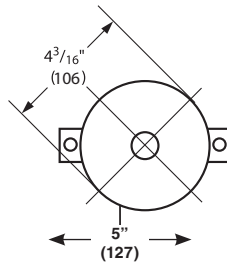
VXA



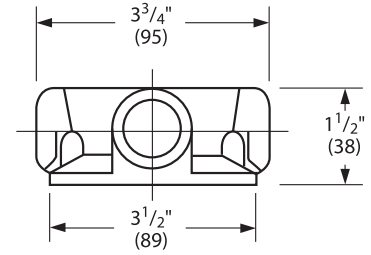
VGA



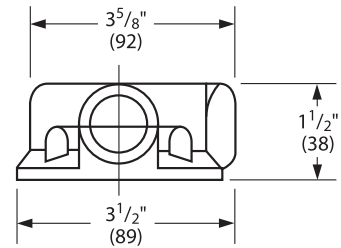
VBC-1 & VBC-2



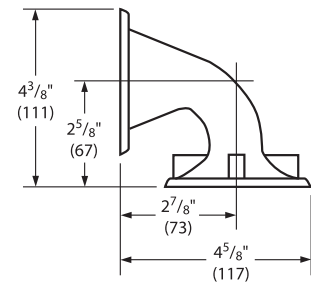
VB



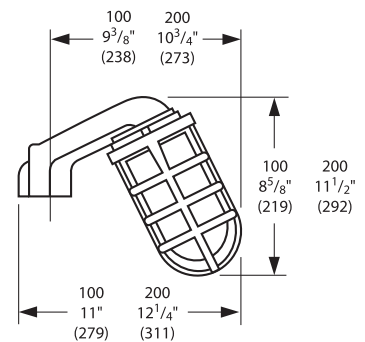
VGC VGX



VGH



VFL



V Stanchion



SPECIAL APPLICATION INCANDESCENT FIXTURES AND HAND LAMPS



DAG Guard

Class II, Div. 1 & 2 Groups E,F,G^①
Class III

LISTED - File E12976

Certified - File LR11713

FEATURES-SPECIFICATIONS

DV DUST-IGNITION PROOF

Features

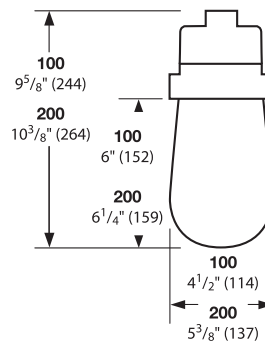
- Cast of corrosion resistant aluminum alloy with electrostatically applied epoxy/ polyester finish
- Ceiling mounted units supplied with 4 hubs.

DV 100/200				
MODEL SIZE	LAMP SIZE	HUB	CATALOG NUMBER	
			PENDANT	CEILING
TYPE 100	100 Watt A-21	1/2"	DVA-110	DVX-110
	150 Watt A-23	3/4"	DVA-210	DVX-210
TYPE 200	150 Watt PS-25	1/2"	DVA-120	DVX-120
	200 Watt PS-25	3/4"	DVA-220	DVX-220

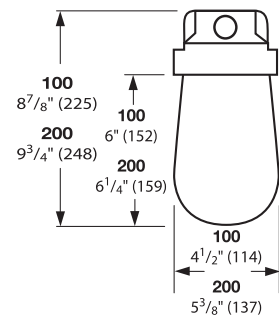
FITTURE TYPE	ACCESSORIES/REPLACEMENT PARTS		
	CATALOG NUMBER		
	GLASS GLOBE	WIRE GUARD	REPLACEMENT SOCKET
100	DCGE-10	DAG-100	VRME
200	DCGE-20	DAG-200	VRME

^① Temperature code T3B, use supply wire suitable for 150° C.

Dimensions



Pendant 100-200



Ceiling 100-200



LIGHTING

XHL/XHLF SERIES

SPECIAL APPLICATION INCANDESCENT FIXTURES AND HAND LAMPS



XHL



XHLF

XHL Incandescent
Class I, Div. 1 & 2, Groups C, D
Class I, Zones 1 & 2, Groups IIB,IIA

File No. E97760

File No. LR10019

XHLF Fluorescent
Class I, Div. 1 & 2, Groups C,D
Class I, Zones 1 & 2, Groups IIB,IIA
Class II, Div. 1 & 2, Groups F,G

Listed File No. E97760

FEATURES-SPECIFICATIONS

XHL SERIES HAND LAMPS

Features XHL Incandescent

- Phenolic handle for long service in rugged conditions
- Aluminum guard
- Heat and impact resistant globe
- Supplied with an A-21 100 Watt (100A/RS) Rough Service lamp
- Supplied with 2 grommets for use with either 14/3 or 16/3 user furnished SO cable

Features XHLF Fluorescent (120 VAC)

- No exposed metal parts
- Furnished with 26 watt 1800 Lumen fluorescent lamp and light shield
- Supplied with grommet for use with 16/3 user furnished SO cable

CATALOG NUMBER	DESCRIPTION
XHL-100	Handlamp
XHL-GL	Replacement Globe
XHLG	Replacement Guard
XHLS	Replacement Socket

CATALOG NUMBER	DESCRIPTION
XHLF26	Fluorescent hand lamp
XHLF26-50KP	Fluorescent hand lamp with 50' of 16/3 SOW cord and 15A Acceptor plug



INCANDESCENT / COMPACT FLUORESCENT

HOSTILE/LITE®



Class I, Div. 1 & 2, Groups C,D
Class I, Zones 1 & 2, Groups IIB, IIA
Class II, Div. 1 & 2, Groups E,F,G
Class III, Div. 1 & 2
Suitable for wet locations
UL Marine Rated (US Only)
Type 3, 4, 4X
Factory Sealed

LISTED - Files E10514 and E91793 (Marine)
 Certified - File LR11713

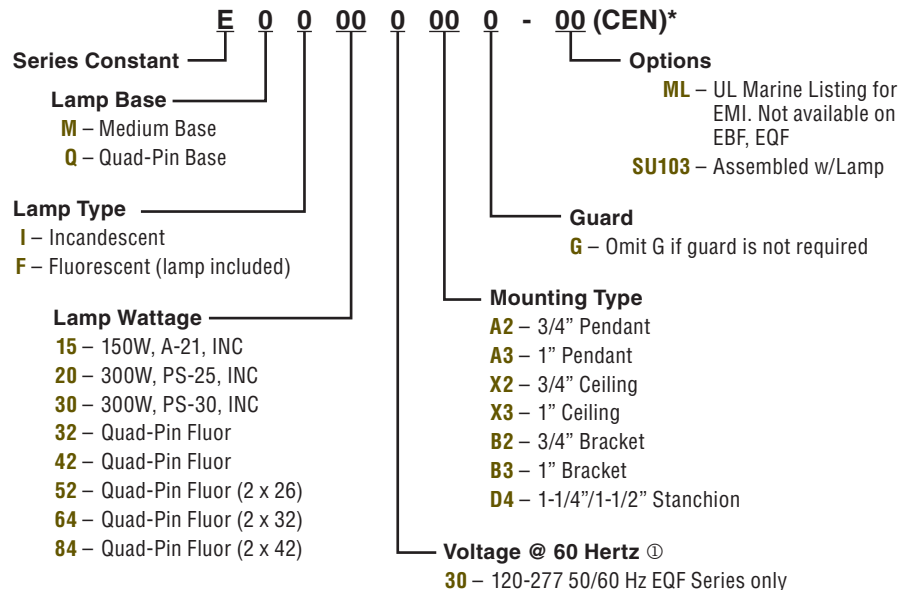
FEATURES-SPECIFICATIONS

Features

- Two light sources – Incandescent, compact fluorescent
- Mounting choice – Pendant, ceiling, 25° stanchion or 90° wall mount, all with “wireless” design that allows fast, easy fixture installation
- Factory sealed – No external seal needed. Simply wire mounting cap and thread on fixture to install
- Compact size – Medium base incandescent, plus PL fluorescent lamps allow smaller fixture design
- Corrosion resistant – Copper-free aluminum die-cast construction. Baked powder epoxy finish, electrostatically applied. Exposed hardware is 316 grade stainless steel

Accessories

- Available with or without guard, standard dome or 25° angle reflector, exit sign and inner colored globes



* CEN (CENELEC) approval option available on certain models.
① Consult factory for available lamp and voltage combinations.



LIGHTING EM/EQ SERIES

COMPONENT PARTS/ACCESSORIES



EMI15/20/EBF



EMI30

HOUSING, GLOBE AND GLOBE SUPPORT ASSEMBLIES^①

INCANDESCENT			
CATALOG NUMBER	LAMP TYPE	WATTS	VOLTS ^③
EMI15	A-19	60, 75	250 MAX. VAC
	A-19, A-21	100	
	A-21	150	
EMI20	A-23, PS-25	150	250 MAX. VAC
	A-23, PS-25	200	
	PS-25	300	
EMI30	PS-25	200	250 MAX. VAC
	PS-30	300	

FLUORESCENT WITH LAMP(S)*			
CATALOG NUMBER	ANSI LAMP TYPE	WATTS	VOLTS
EQF2630	Quad Pin Fluorescent	26	120-277 VAC 50-60Hz
EQF3230		32	
EQF4230		42	
EQF5230		52 (2X26)	
EQF6430		64 (2X32)	
EQF8430		84 (2X42)	



Pendant



Ceiling



Wall Bracket



25° Stanchion

MOUNTING BOXES				
CATALOG NUMBER				HUB SIZE
PENDANT	CEILING	BRACKET	STANCHION	
EZA2	EZX2	EZB2	—	3/4"
EZA3	EZX3	EZB3	—	1"
—	—	—	EZD4*	1-1/4"/1-1/2"*

*1-1/2" furnished with 1-1/2"-1-1/4" reducer



HIC-BEIGE
replacement
wiring plug
for EZBx
Wall Bracket



EZCUP

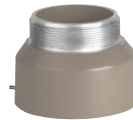
Close up plug for EZ mounting boxes. Used for maintenance when fixture is removed for service.



EMG1



EMG2



EAC^②



Standard Dome



Angle Dome

GUARDS		
CATALOG NUMBER	SERIES	LAMP TYPE
EMG1	EMI15	INC
	EMI20	INC
	EQF (26, 32, 42)	Quad-Pin
EMG2	EMI30	INC
	EQF (52, 64, 84)	Quad-Pin

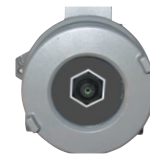
Guards are cast of copper-free aluminum with electrostatically applied epoxy/polyester finish.

* Consult factory for 52, 64 and 84 Watt availability.

- ① Assemblies may be ordered with the CEN (CENELEC) suffix.
- ② Adapters for discontinued Killark "H" Series and Crouse Hinds[®] available.
- ③ UL fixture rating; socket rated 600V.

REFLECTORS		
CATALOG NUMBER		SERIES
STANDARD DOME	ANGLE	
ERSD15	ERA15	EMI15/EMI20
		EQF
ERSD30	ERA30	EMI30
		EQF (52, 64, 84)

Reflectors are aluminum with white finish.



FACTORY SEALED
Class I, DIV. 1 BCD
Class II, DIV. 1&2 EFG
CLASS III
NEMA 3, 4X IP66
*40°C ambient T3 Rated

PHOTO CELL FIELD KITS WITH HKB - GL BOX AND COVER	
CATALOG NUMBER	VOLTS
VMHKPC1	120VAC
VMHKPC2	208-277VAC
VMHKPC3	347VAC



APPLICATION DATA

EM/EB/EQ HAZARDOUS LOCATION DATA – CLASS I, DIV. 1 & 2 ①②							
FIXTURE SERIES	LAMP TYPE/SIZE MAX.	LAMP WATTS	RATED AMBIENT °C	SUPPLY WIRE SUITABLE FOR °C MIN.	CLASS I, DIVISIONS 1 & 2 MAXIMUM SURFACE TEMPERATURE °C		
					UL/CSA		
					WITH OR WITHOUT REFLECTOR		
					TEMP. I.D.	ACTUAL TEMP.	UL/CSA GROUPS
EMI15	INC A-19	60	40	75	T6	79	C,D
			55	75	T6		C,D
			65	75	T4A		C,D
EMI15	INC A-19	75	40	75	T4A	103	C,D
			55	90	T4A		C,D
			65	90	T4		C,D
EMI15	INC A-19	100	40	75	T4A	103	C,D
			55	90	T4A		C,D
			65	90	T4		C,D
EMI15	INC A-21	100	40	75	T4A	101	C,D
			55	90	T4A		C,D
			65	90	T4		C,D
EMI15	INC A-21	150	40	75	T4	123	C,D
			55	90	T3C		C,D
			65	90	T3C		C,D
EMI20	INC A-23	100	40	90	T4A	107	C,D
			55	90	T4		C,D
			65	90	T4		C,D
EMI20	INC A-23	150	40	90	T4	132	C,D
			55	90	T3C		C,D
			65	125	T3C		C,D
EMI20	INC PS-25	150	40	90	T4	126	C,D
			55	125	T3C		C,D
			65	125	T3C		C,D
EMI20	INC A-23	200	40	90	T3C	146	C,D
			55	90	T3B		C,D
			65	125	T3A		C,D
EMI20	INC PS-25	200	40	90	T3C	154	C,D
			55	90	T3A		C,D
			65	125	T3A		C,D
EMI20	INC PS-25	300	40	90	T3	190	C,D
			55	125	T2D		C,D
			65				C,D
EMI30	INC PS-25	200	40	125	T3C	146	C,D
			55	125	T3B		C,D
			65	125	T3A		C,D
EMI30	INC PS-25	300	40	125	T3C	143	C,D
			55	125	T3B		C,D
			65	125	T3A		C,D
EMI30	INC PS-30	200	40	125	T3C	146	C,D
			55	125	T3B		C,D
			65	125	T3A		C,D
EMI30	INC PS-30	300	40	125	T3C	146	C,D
			55	125	T3B		C,D
			65	125	T3A		C,D
EQF26	1 26W Quad-Pin	26	40	75	T6	75	C,D
EQF32	1 32W Quad-Pin	32	40	75	T6	75	C,D
EQF42	1 42W Quad-Pin	42	40	75	T6	75	C,D
EQF52	2 26W Quad-Pin	52	40	75	T6	85	C,D
EQF64	2 32W Quad-Pin	64	40	75	T6	85	C,D
EQF84	2 42W Quad-Pin	84	40	75	T6	85	C,D

HOSTILEITE®

CEN Option

Applications

Killark EM/EB/ESX series fixtures are available with a European “Certificate of Conformity” from PTB (Physikalisch-Technische Bundesanstalt), the approval agency based in Germany. Fixtures with this rating will be useful for Original Equipment Manufacturers and others who build and ship apparatus into European markets.

This approval is granted by PTB with the use of a special ground lug and label. Fixtures carrying an EEx d IIB approval are automatically granted an IP54 (ingress protection) rating. See Temperature Code chart below for PTB certified ratings. Killark EM/EB/ESX fixtures with the PTB rating and labels still carry all UL & CSA ratings.

Fixture housing/globe/globe support assemblies (e.g. EM120 CEN) may be ordered with the CEN suffix. Complete fixture numbers, with the CEN suffix, will be shipped with the mounting boxes, guards and accessories as component parts. Reflectors and other accessory parts may be used. Killark fixtures are NPT tapped and plugged with at least one conduit hole open.

Compliances

EN 50014:1992

EN 50018:1994

EEx d IIB T6 (or T5-T2)

PTB No. Ex-98.E.1076



MAXIMUM AMBIENT TEMPERATURE RANGE
-20°C TO 40°C

TYPE OF LUMINAIRE	TYPE OF ENCLOSURE	FORM OF THE LAMP	MAXIMUM WATTAGE	TEMP. CLASS
EMI15	EMX20	A-19/A-21	150W	T4
EMI20	EMX20	A-23/PS-25	300W	T3
EMI30	EMX30	PS-25/PS-30	300W	T2

① Do not install where marked operating temperature exceeds ignition temperature of hazardous atmosphere.

② See Class II table for simultaneous presence ratings.



LIGHTING
EM/EQ SERIES

APPLICATION DATA

EM/EB/EQ HAZARDOUS LOCATION DATA – CLASS II, III, DIVISIONS 1 & 2 ^{①②}														
FIXTURE SERIES	LAMP TYPE/SIZE MAX.	LAMP WATTS	RATED AMBIENT °C	SUPPLY WIRE SUITABLE FOR °C HOSEMIN.	CLASS II, DIV. 1 & 2 MAXIMUM SURFACE TEMPERATURE °C				UL/CSA GROUPS	CLASS III DIV. 1 & 2 UL/CSA SUITABILITY	UL MARINE LISTED	U.L. PAINT SPRAY SUITABILITY	UL/CSA TYPE (RAIN-TIGHT)	UL/CSA TYPE 4 (HOSE-DOWN) ^③
					UL/CSA WITHOUT REFLECTOR		UL/CSA WITH REFLECTOR							
					TEMP. I.D.	ACTUAL TEMP. °C	TEMP. I.D.	ACTUAL TEMP. °C						
EMI15	INC A-19	60	40	75	T3C	132	T3C	132	E,F,G	YES	YES	NO	YES	YES
			55	75	T3A				E,F	NO	YES	NO	YES	YES
			65	75	T3A				E,F					
EMI15	INC A-19	75	40	75	T3A	163	T3A	162	E,F	NO	YES	NO	YES	YES
			55	90	T3A				E,F	NO	YES	NO	YES	YES
			65	90	T3A				E,F	NO	YES	NO	YES	YES
EMI15	INC A-19	100	40	75	T3A	163	T3A	162	E,F	NO	YES	NO	YES	YES
			55	90	T3A				E,F	NO	YES	NO	YES	YES
			65	90	T3A				E,F	NO	YES	NO	YES	YES
EMI15	INC A-21	100	40	75	T3A	172	T3A	172	E,F	NO	YES	NO	YES	YES
			55	90	T3				E,F	NO	YES	NO	YES	YES
			65	90	T3				E,F	NO	YES	NO	YES	YES
EMI15	INC A-21	150	40	75	N/A	192	T3	192	E,F	NO	YES	NO	YES	YES
			55		N/A									
			65		N/A									
EMI20	INC A-23	100	40	90	T3A	166	T3A	166	E,F	NO	YES	NO	YES	YES
			55	90	T3				E,F	NO	YES	NO	YES	YES
			65		N/A									
EMI20	INC A-23	150	40	90	T3	196	T3A	178	E,F	NO	YES	NO	YES	YES
			55	90	T3				E,F	NO	YES	NO	YES	YES
			65		N/A									
EMI20	INC PS-25	150	40	90	N/A	N/A	N/A	N/A	NO	NO	YES	NO	YES	YES
			55		N/A									
			65		N/A									
EMI20	INC A-23	200	40	90	N/A	N/A	N/A	N/A	NO	NO	YES	NO	YES	YES
			55		N/A									
			65		N/A									
EMI20	INC PS-25	200	40	90	N/A	N/A	N/A	N/A	NO	NO	YES	NO	YES	YES
			55		N/A									
			65		N/A									
EMI20	INC PS-25	300	40	90	N/A	N/A	N/A	N/A	NO	NO	YES	NO	YES	YES
			55		N/A									
			65		N/A									
EMI30	INC PS-25	200	40	110	N/A	N/A	N/A	N/A	NO	NO	YES	NO	YES	YES
			55		N/A									
			65		N/A									
EMI30	INC PS-25	300	40	110	N/A	N/A	N/A	N/A	NO	NO	YES	NO	YES	YES
			55		N/A									
			65		N/A									
EMI30	INC PS-30	200	40	110	N/A	N/A	N/A	N/A	NO	NO	YES	NO	YES	YES
			55		N/A									
			65		N/A									
EMI30	INC PS-30	300	40	110	N/A	N/A	N/A	N/A	NO	NO	YES	NO	YES	YES
			55		N/A									
			65		N/A									
EQF26	1 26W Quad-Pin	26	40	75	T4	135	T4	135	E,F,G	YES	NO	YES	YES	YES
EQF32	1 32W Quad-Pin	32	40	75	T4	135	T4	135	E,F,G	YES	NO	YES	YES	YES
EQF42	1 42W Quad-Pin	42	40	75	T4	135	T4	135	E,F,G	YES	NO	YES	YES	YES
EQF52	2 26W Quad-Pin	52	40	75	T4	135	T4	135	E,F,G	YES	NO	YES	YES	YES
EQF64	2 32W Quad-Pin	64	40	75	T4	135	T4	135	E,F,G	YES	NO	YES	YES	YES
EQF84	2 42W Quad-Pin	84	40	75	T4	135	T4	135	E,F,G	YES	NO	YES	YES	YES

① Do not install where marked operating temperature exceeds ignition temperature of hazardous atmosphere.
 ② Fixtures rated for simultaneous presence as shown in Class II table (unless marked with N/A).
 ③ For UL-Marine and UL/CSA Type 4 listing add suffix "ML" to "EMI" Series fixture catalog number. Not available on "EQF" series.







COMPACT FLUORESCENT EMERGENCY LIGHTING

HOSTILE/LITE® E
EMERGENCY



Class I, Div. 1 & 2, Groups C,D
Class I, Zones 1 & 2, Groups IIB, IIA
Class II, Div. 1 & 2, Groups E,F,G
Class III
Type 3

-  Compliances: UL 844; UL 1570, UL924 (File E162407)
UL Wet Location Listed (Indoor & Outdoor)
Rated for 40C° ambient. Minimum start 0° C
Temperature codes:
Class I C,D T6;
Class II E,F,G T4;
Suitable for Class III
-  Certified File LR11713

FEATURES-SPECIFICATIONS

Applications

HOSTILE/LITE® EEQ Emergency Lighting fixtures provide continuous illumination under normal power and switch to emergency battery backup during power outages. Emergency Units ONLY are available that operate only when normal power fails.

Units contain battery unit that provides the OSHA required 90 minutes of illumination (same lamp) for egress.

Units are designed for general and task lighting indoors or outdoors where flammable gases or vapors or combustible dusts exist and create a hazardous location, as defined by the NEC.

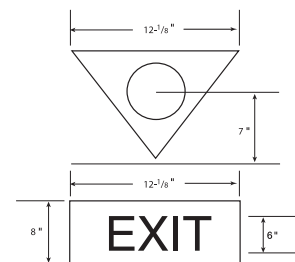
Features

- Quad-Pin long-life triple-tube compact fluorescent lamps included
- Choice of Pendant, Ceiling, Wall or Stanchion mount
- Factory Sealed - No external seal required
- Corrosion resistant-Copper-free aluminum (less than 1/10 of 1%) die-cast construction w/Baked-on epoxy/polyester powder finish
- Exposed hardware is 316 grade stainless steel
- LED charging indicator light visible through lens

Accessories

Exit sign: Model **HEXA-100** (note omit 2nd "G" in catalog number for globe-only fixture).

Reflectors: Use standard dome **ERSD15** or angle model **ERA15**.





LIGHTING
EEQ SERIES

COMPACT FLUORESCENT EMERGENCY LIGHTING

EEQ 26 , 32 & 42 WATT EMERGENCY- ONLY MODE FIXTURES

QUAD-PIN FLUOR. LAMP INCLUDED	LINE VOLTAGE @ 50/60 HZ	CATALOG NUMBER ③④⑥			
		PENDANT 3/4" ①	CEILING 3/4" ①	BRACKET 3/4" ①	STANCHION 1-1/4" ②
26Watt	120 - 277VAC⑤	EEQ0026E30A2G	EEQ0026E30X2G	EEQ0026E30B2G	EEQ0026E30D4G
32Watt	120 - 277VAC⑤	EEQ0032E30A2G	EEQ0032E30X2G	EEQ0032E30B2G	EEQ0032E30D4G
42Watt	120 - 277VAC⑤	EEQ0042E30A2G	EEQ0042E30X2G	EEQ0042E30B2G	EEQ0042E30D4G

EEQ 26 , 32 & 42 WATT NORMAL & EMERGENCY MODE FIXTURES

QUAD-PIN FLUOR. LAMP INCLUDED	LINE VOLTAGE @ 50/60 HZ	CATALOG NUMBER ③④⑥			
		PENDANT 3/4" ①	CEILING 3/4" ①	BRACKET 3/4" ①	STANCHION 1-1/4" ②
26Watt	120 - 277VAC ⑤	EEQ2626E30A2G	EEQ2626E30X2G	EEQ2626E30B2G	EEQ2626E30D4G
32Watt	120 - 277VAC ⑤	EEQ3232E30A2G	EEQ3232E30X2G	EEQ3232E30B2G	EEQ3232E30D4G
42Watt	120 - 277VAC ⑤	EEQ4242E30A2G	EEQ4242E30X2G	EEQ4242E30B2G	EEQ4242E30D4G

① Pendant, Ceiling & Bracket models may be changed to 1" hubs by changing the 12th character from 2 to 3; e.g. EEQ2626E10A3GG.

② Stanchion fixtures are 1-1/2" with a 1-1/2 to 1-1/4" reducer.

③ Omit 2nd "G" for globe-only fixture for use with HEXA-100 Exit Accessory.

④ Standard color for fixtures is Killark beige. Add -R for RED adder.

⑤ All EEQ fixtures are factory set to 120V and can be changed to 277V in field by following included instructions. Replacement battery pack kit KFBP9.

⑥ EEQ fixtures use a tank extension ring and are 2-1/2" taller than EBF fixtures.

⑦ Photometric characteristics similar to EBF26, except adjusted for lumen output.

LUMEN OUTPUT ⑦

LAMP SOURCE	NORMAL POWER	EMERG. POWER
26Watt	1800	450
32Watt	2400	575
42Watt	3200	750

BALLAST DATA

LAMP WATTS	VOLTAGE	OPERATING AMPS	INPUT WATTS	BALLAST CIRCUIT	REGULATION
26Watt (1x26)	120 / 277 VAC	.24@120V /.11 @277V	29	HPF	Electronic
32Watt (1x32)	120 / 277 VAC	.31@120V /.13 @277V	36	HPF	Electronic
42Watt (1x42)	122 / 277 VAC	.38@120V /.17 @277V	46	HPF	Electronic



REPLACEMENT PARTS/ACCESSORIES



Exit Sign Accessory

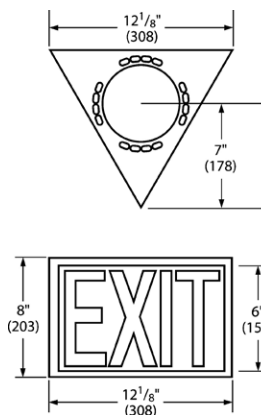
**HAZARDOUS LOCATIONS
EXIT SIGN**

Features

- Three sided illuminated sign visible from all three sides
- EXIT printed in 6" high red letters with 3/4" strokes as required by OSHA. Sign has open bottom providing light on exit area while illuminating the panel

EXIT SIGN	
CATALOG NUMBER	DESCRIPTION
HEXA-100	Fits EMI15, EMI20, EQF/EEQ Series without guard * (Fixture not included)

* EQF to 42W



REPLACEMENT FLUORESCENT LAMPS	
CATALOG NUMBER	SIZE & TYPE
MQL26	26W Quad-Pin
MQL32	32W Quad-Pin
MQL42	42W Quad-Pin



REPLACEMENT GLOBE & SUPPORT ASSEMBLIES

REPLACEMENT GLOBE AND GLOBE SUPPORTS			
CATALOG NUMBER ^①	SERIES	LAMP TYPE	MAX. WATTAGE
EMGS1	EMI15	INC	150
	EMI20	INC	300
	EQF	PL Quad-Pin Fluorescent	26, 32, 42
EMGS2 ^② EMGS3	EMI30	INC	300
	EMS	HPS	150
	EMH	MH	100
	EQF	PL Quad-Pin Fluorescent	52, 64, 84

① EMGS1, EMGS3 are internally fluted glass.

② EMGS2 is smooth clear glass used for ESX strobe.



EM Series



Female
EZTB



Male
EZCB

REPLACEMENT SOCKETS	
CATALOG NUMBER	DESCRIPTION
EMRS	EM Series E-26 Medium Base

REPLACEMENT CONNECTION BLOCKS	
CATALOG NUMBER	DESCRIPTION
EZTB	Female
EZCB	Male

COLORED GLOBE KITS FOR HAZARDOUS LOCATIONS ^③	
KIT NO.	GLOBE COLOR
KT-100SU41R	RED
KT-100SU41G	GREEN

Used to modify EMI20 Series only fixtures to accept a colored inner globe. The kit includes the globe plus an adapter assembly and mounting instructions.

③ Maximum lamp size A-21 150 Watt.



LIGHTING EM/EQ/ESX/EEQ SERIES

DIMENSIONS



Pendant



Ceiling

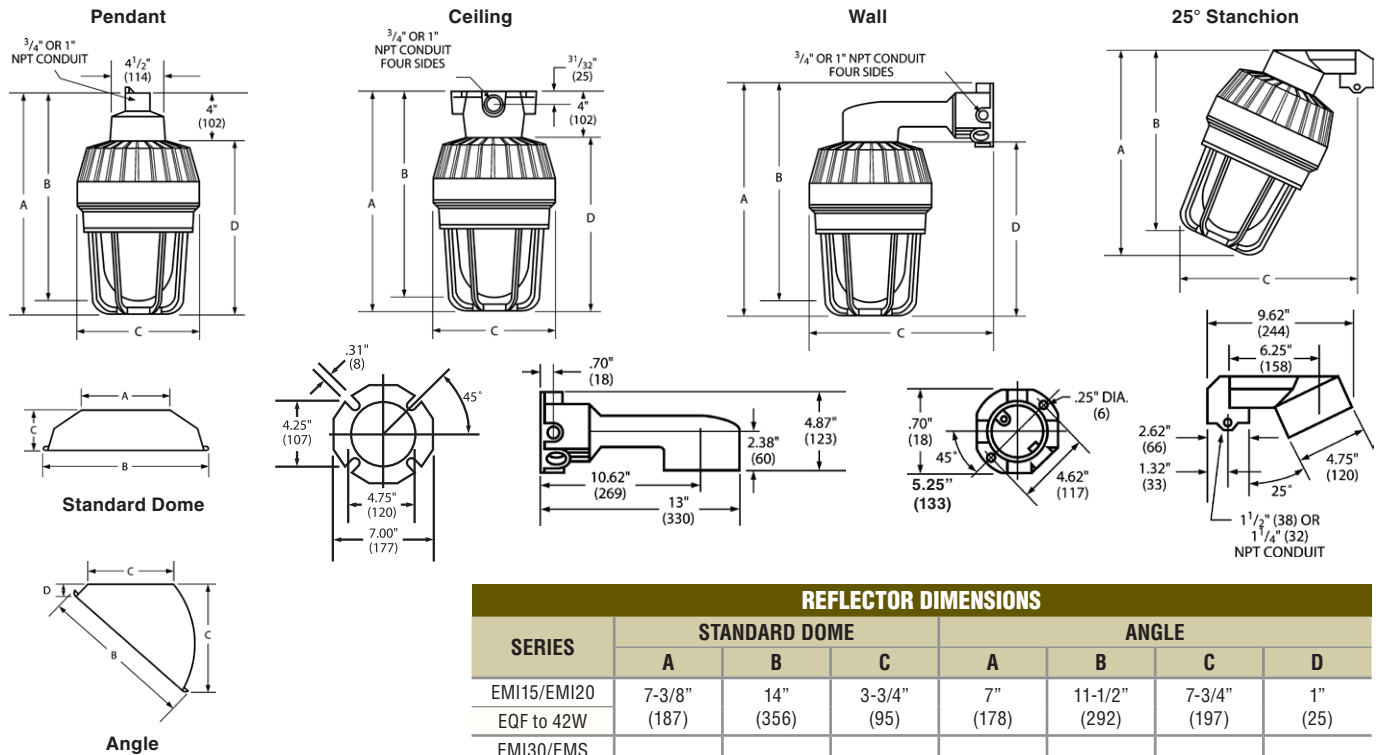


Wall



Stanchion

EM/ EMB /ESX DIMENSIONS															
SERIES	PENDANT				CEILING				WALL				STANCHION		
	A	B	C	D	A	B	C	D	A	B	C	D	A	B	C
EMI15	14-5/16" (363)	13-11/16" (346)	7-7/16" (188)	10-5/16" (261)	14-5/16" (363)	13-11/16" (347)	7-7/16" (188)	10-5/16" (261)	15-13/16" (385)	14-7/16" (366)	14-1/2" (369)	10-5/16" (26)	14" (256)	13-1/4" (337)	13" (330)
EQF to 42W EEQ	16-13/16" (427)	16-3/16" (411)	7-7/16" (188)	12-5/8" (321)	16-13/16" (427)	16-3/16" (411)	7-7/16" (188)	12-5/8" (321)	18-5/16" (465)	16-15/16" (430)	14-1/2" (368)	12-5/8" (321)	16-1/4" (413)	15-3/4" (400)	15-1/4" (387)
EMI30	15-15/16" (404)	15-1/16" (382)	8-13/16" (224)	11-15/16" (303)	15-15/16" (404)	15-1/16" (382)	8-13/16" (224)	11-15/16" (303)	16-13/16" (426)	15-13/16" (404)	15" (379)	11-15/16" (303)	15-1/8" (384)	14" (356)	13-1/2" (343)
EMH															
EMS															
ESX															
EQF 52, 64, 84															





HALOGEN LAMP EMERGENCY LIGHTING

HOSTILE[®]LITE[®] E
EMERGENCY

Class I, Div. 1 & 2, Groups C,D
Class I, Zones 1 & 2, Groups IIB, IIA
Class II, Div. 1 & 2 Groups E,F,G
Class III, Div. 1 & 2
Type 7CD, 9EFG

- UL Listed File E162407
UL-844 Electric Lighting Fixtures for use in Hazardous Locations
- UL-924 Emergency Lighting & Power Equipment
CS Certified File LR11713



Remote test station (included) allows "Push-To-Test" at a location convenient to the user. ©

FEATURES-SPECIFICATIONS

Features

- Patented design three high intensity lamps can be independently adjusted to provide custom emergency lighting to a specific area
- Three 20 watt MR16 lamps included
- Pendant, bracket and ceiling mounting styles for a mounting arrangement that suits any lighting layout
- Remote hazardous location test station (included) allows testing of fixture at a convenient ground level location
- Factory wired for 120V; can be field changed to 208/240/277V.
- Four tough, long life lead-acid batteries require no maintenance and have a 12 VDC output of 60 watts for 90 minutes
- Safety disconnect feature automatically disconnects lamps from battery if globe is removed
- Solid state battery charger has a low voltage disconnect feature
- Red pilot light, easily visible inside globe, indicates AC power is being supplied to batter charger
- Fixture housings are factory sealed by the electro-mechanical connection block
- The only wiring required is attaching supply wires to the integral female connection block in the mounting cap. Threading fixture onto mounting cap makes the electrical connection
- Electrical continuity is not made during assembly or disassembly without five or more threads secured to insure a flame path
- Suitable in ambients 0°C to 40°C
- Patented design

EBB ACCESSORIES	
CATALOG NUMBER	DESCRIPTION
EZG1	Guard (die cast aluminum)
VMPSD40	Reflector (standard dome)
EBB-L12	MR16 12 volt lamp
17505AAAB	MR16 lamp socket
EBB-RB	Rechargeable battery (4 used per unit)
EBB-BC	Battery charger (circuit board)
EBB-TRANS*	Transformer Kit 120, 208, 240, 277V
EBB-PL	LED pilot light

EBB HALOGEN EMERGENCY LIGHTING						
ANSI LAMP TYPE	WATTS	VOLTAGE ①	HUB SIZE	CATALOG NUMBER		
				PENDANT	WALL	CEILING
MR16	3x20W	120, 208, 240, 277V	3/4"	EBB32010A2	EBB32010B2	—
			1"	EBB32010A3	EBB32010B3	EBB32010X3

① Suitable for 220V/50Hz.

HAZARDOUS LOCATION APPLICATION DATA					
LAMP TYPE	LAMP WATTS	RATED AMBIENT DEGREES	MAX SURFACE TEMPERATURE		
			CLASS I	CLASS II	SIMULTANEOUS CLASS I & II
MR16 Halogen	60W Total	40°C	T6 (85°C)	T5 (100°C)	T5 (100°C)

Note: EBB Series fixtures should not be stored for extended periods before energizing.

* Replaces #17506AAAB.

© Furnished with 3/4" feed thru mounting box. For Push-To-Test N.C. momentary cover only. Use also with HFXE, VE3Q, EEQ, and LZ2NE. Cover only XCS-0B2-PTT. Order SWB back box separately.



LIGHTING
EBB SERIES

HALOGEN LAMP EMERGENCY LIGHTING



Pendant

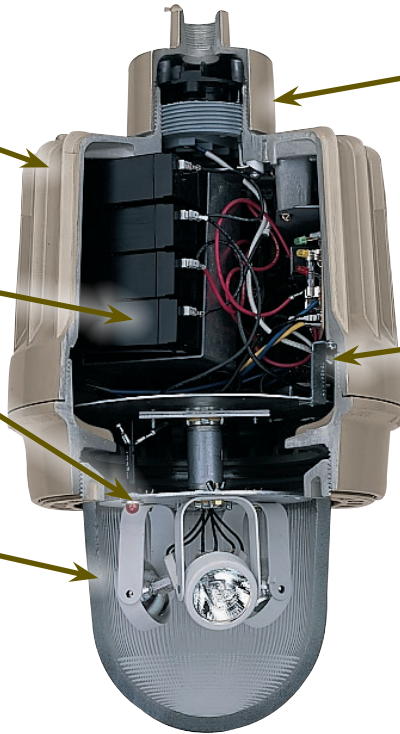


Ceiling



Wall Mount

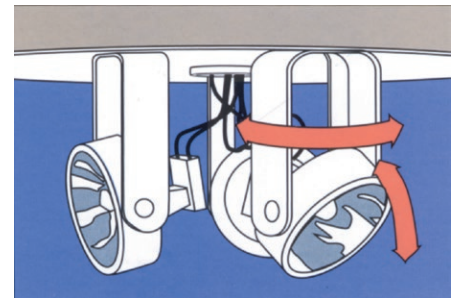
- Factory sealed; external seals not required
- Cast of copper-free Aluminum (Less than 0.4% copper)
- Electrostatically applied epoxy polyester finish is baked on for high density corrosion protection
- Four lead-acid batteries are maintenance free and provide 60 watts to the lamps for 90 minutes*
- Red pilot light indicates AC power flow to battery charger
- Lamps automatically disconnect from battery if globe is disengaged
- Glass globe prestressed for heat and impact resistance - Globe is internally fluted on sides and prismatic on bottom
- * EBB Series fixtures should not be stored for extended periods before energizing.



Wireless assembly of fixture tank to mounting cap — Electro-mechanical male/female block allows fast, easy installation and bench top servicing without disconnecting supply wires

Nameplate displays Third Party Certifications and ratings in English and French (large red plate identifies it as an emergency fixture)

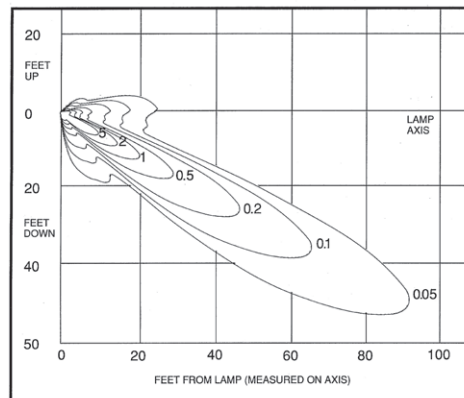
Acme double lead threads assure quick and trouble free assembly



Lamps adjustable on 2 axis for maximum aiming flexibility.

VEXA400 EXIT ACCESSORY

- White painted steel frame
- 8" Red Letters
- 5 Panes: 3 Exit and 2 Blank
- Fits EBB and VE4Q with globe only
- Dimensions: 14.57" x 9.22"
- Spanish Available
VEXA400-SALIDA



Photometrics

Typical vertical ISO foot candle distribution.

One 20 watt lamp aimed at 20° below horizontal.

Note: Some minor variations in light spread will occur as each lamp is rotated up/down within the glass globe.



COMPONENT PARTS/ACCESSORIES



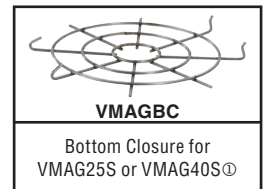
EZG1



VMAG40S

GUARDS

CATALOG NUMBER	SERIES	LAMP TYPE	WATTAGE	DESCRIPTION
EZG1	EZS	HPS	50-150	Painted cast aluminum
	EZH	MH	70-250	
	EZP	MHP	150, 175, 250	
VMAG40S	EZH	MH	400	Cadmium plated steel
	EZP	MHP	320-400	



^① For VMAG40S with bottom closure order part number VMAG40SBC.



VMPSD40



EZTB



VMPA40



HRD400
HRD400ALZ (pictured)



EZCB



EZMO

REFLECTORS

CATALOG NUMBER	DESCRIPTION
VMPSD40	Standard dome. fiberglass reinforced polyester
VMPA40	30° Angle fiberglass reinforced polyester
HRD400	Deep dome. Aluminum with white finish ^②
HRD400ALZ	Deep dome with specular anodized finish ^②

REPLACEMENT CONNECTION BLOCKS AND LAMP SOCKET

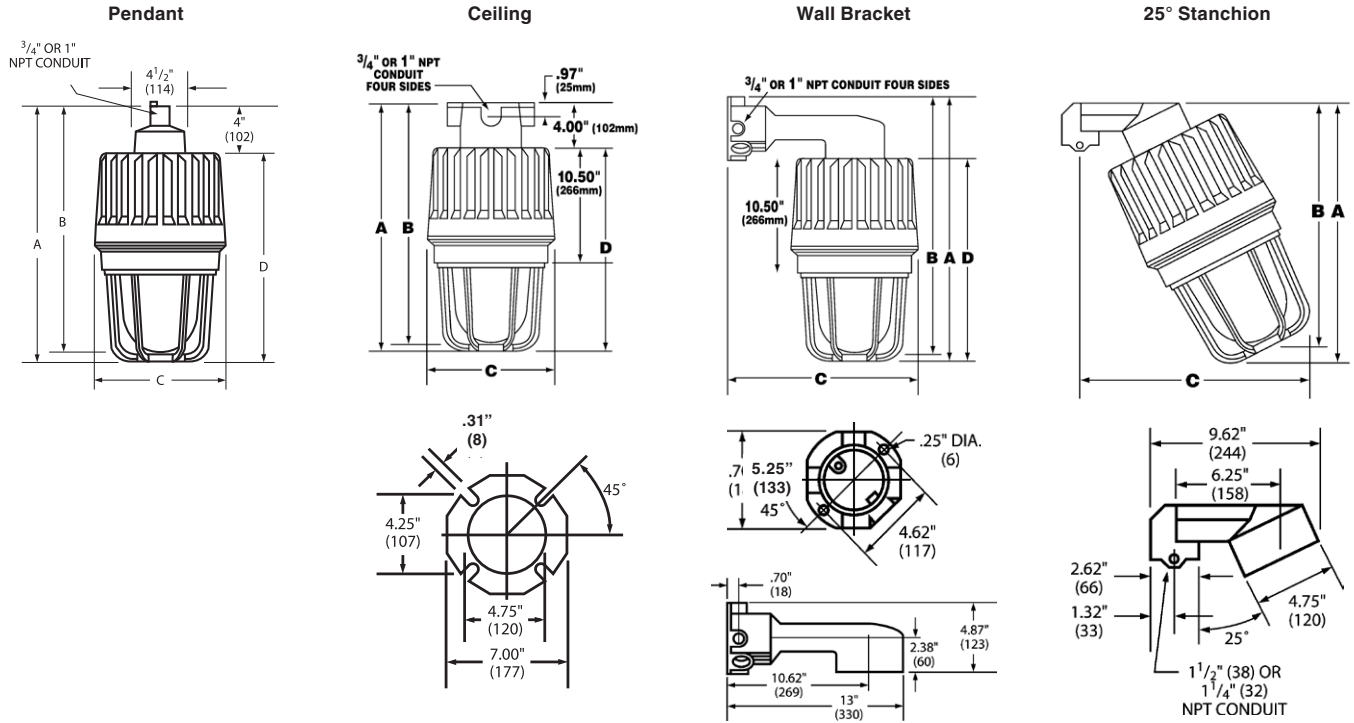
CATALOG NUMBER	DESCRIPTION
EZTB	Female (goes in splice box)
EZCB	Male (goes in top of fixture body)
EZMO	Replacement lamp socket with gasket

^② For clearance, wall mount models require standoff of 1/2" if not bottom feed; 1-1/2" if bottom feed.



LIGHTING EZ SERIES

DIMENSIONS

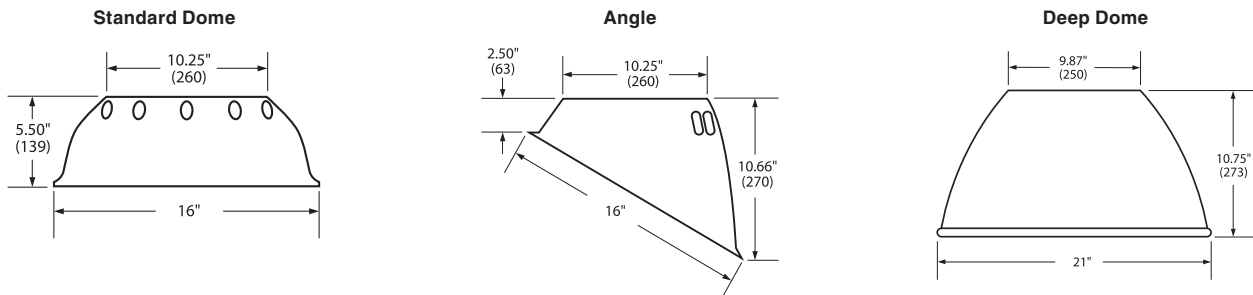


MOUNTING DIMENSIONS																
	PENDANT				CEILING				BRACKET				STANCHION			
	A	B	C	D	A	B	C	D	A	B	C	D	A	B	C	
50-250W* EZL LED	22" (558)	21-1/4" (539)	11-1/4" (285)	18" (457)	22" (558)	21-1/4" (539)	11-1/4" (285)	18" (457)	22-7/8" (580)	22-1/8" (561)	16-3/4" (425)	18" (457)	24-7/8" (631)	24" (609)	19-13/16" (503)	
250-400W**	26-1/4" (666)	24-1/4" (615)	11-1/4" (285)	22-1/4" (565)	26-1/4" (666)	24-1/4" (615)	11-1/4" (285)	22-1/4" (565)	26-7/8" (682)	24-7/8" (631)	16-3/4" (425)	22-1/4" (565)	28-1/2" (724)	26-11/16" (678)	21-1/2" (546)	

* 50, 70, 100, and 150W HPS; 70, 100, 175 and 250W MH; 150, 175, 250W MHP.

** 250 and 400W HPS, 400W MH; 320, 350, 400W MHP.

REFLECTOR DIMENSIONS





STROBE SIGNAL LIGHT

HOSTILE/ITE®



Class I, Div. 1 & 2, Groups C,D
Class I, Zones 1 & 2, Groups IIB, IIA
Class II, Div. 1 & 2 Groups E,F,G
Class III, Div. 1 & 2
Suitable for wet locations
UL Marine Rated (US only)
Type 3, 4X
Factory sealed

UL LISTED - File E84609

CS Certified - File LR11713

Compliances

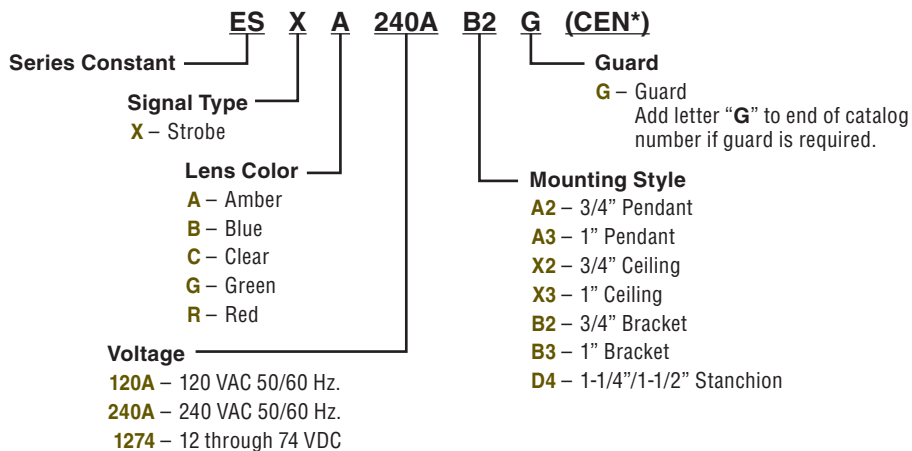
UL-1203 explosion-proof and dust ignition-proof electrical equipment for use in hazardous (classified) locations
UL-1638 visual signaling appliances
UL Marine-type electric lighting fixtures
NEMA 3, 4, 4X, 7CD, 9EFG

FEATURES-SPECIFICATIONS

Features

- Electronic component temperature range -40°C to +55°C
- NEC temperature code, T6 (<85°C)
- Flash rate—85 flashes per minute
- Xenon type lamp
- Voltage and amperage:
 - 12-74 VDC:**
Draws 1.25A avg. @ 12 VDC tapering to 0.2A avg. @ 74 VDC, .75A avg. @ 24 VDC
 - 120 VAC (50/60 HZ):**
Draws 0.30A avg.
 - 240 VAC (50/60 HZ):**
Draws 0.17A avg.
- Power supply output:
13 watts standard
11 watts for 12-74 VDC
- Intensity:

Clear 200 candela effective
Amber 170 candela effective
Blue 90 candela effective
Red 40 candela effective
Green 70 candela effective



*CEN (GENELEC) approved option available. ESX Series strobes with CENELEC labeling are rated T6 by PTB.

REPLACEMENT POWER SUPPLY	
CATALOG NUMBER	VOLTAGE
ESX120PS	120VAC, 50/60 HZ.
ESX240PS	220/240VAC, 50/60 HZ.
ESX1274PS	12-74 VDC

REPLACEMENT LENS & LAMP ASSEMBLY	
CATALOG NUMBER	DESCRIPTION
ESXAL	Amber
ESXBL	Blue
ESXCL	Clear
ESXGL	Green
ESXRL	Red
EMGS2	Rep globe support assembly



LIGHTING
NVS SERIES

NON-METALLIC CORROSION RESISTANT SIGNALS

ENVIRO*RITE*[®]



Pendant LED



Ceiling LED



Wall Xenon

Class I, Div. 2, Groups A,B,C,D
Class I, Zone 2, Groups IIC, IIB, IIA
Class II, Div. 1&2, Group F,G;
Class III
CSA Enclosure Type 4X, IP66
Type 4X, Marine Rated (US only)

Certified - File LBJ1085
 to the following standards:

UL 1598 Standard for luminaires
UL 1598A Marine type luminaires
UL 844 Standard for lighting fixtures for hazardous locations
UL 1638 Standard for visual signalling applications
CSA C22.2 no.137-M1981 electric luminaires for use in hazardous locations
Enclosed and gasketed, Type 3, 4X IP66

FEATURES-SPECIFICATIONS

NVS signals contain no exposed glass and carry Class II, F&G ratings required for many food processing areas.

Features

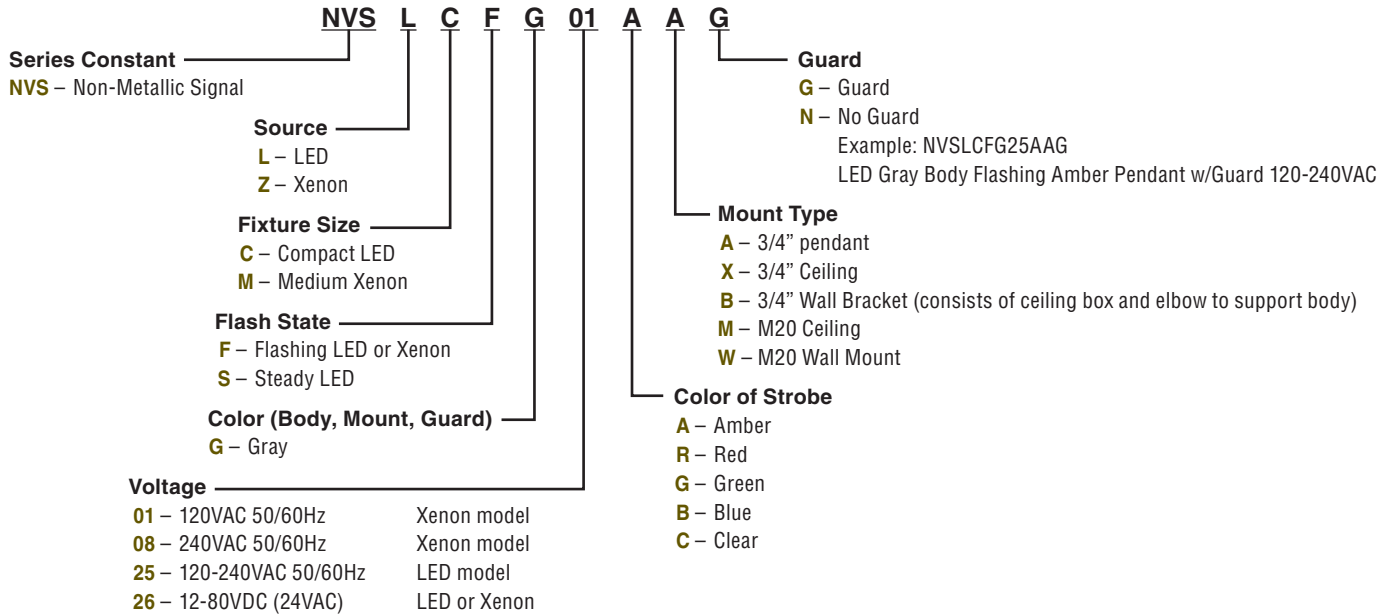
- NVSL Series LED with very compact profile and 50,000 hours expected life; steady - on or flashing.
- NVSZ Series Xenon with 10,000 hours expected life; flashing only.
- LED utilizes inverted cone design to provide full 360 degree coverage for more light projection.
- LED and Xenon available in five colors colors - red, green, amber, blue and clear.
- Flash rate for LED is 7 micro flashes approximately every second for increased visual perception.
- Xenon flash rate 60 to 80 per minute
- Can be mounted in any orientation including lens in the UP or SIDE positions.
- Materials: High strength 30% glass-filled thermoset polyester body with Lexan[®] * lens.
- Resists corrosive effects of most chemicals, hydrocarbons and solvents
- Designed for indoor and outdoor applications

* Lexan[®] is a registered trademark of General Electric.



NON-METALLIC CORROSION RESISTANT SIGNALS

CATALOG NUMERIC LOGIC



HAZARDOUS LOCATION SUITABILITY

SOURCE	SERIES	CL1 DIV.2	CL2 DIV.1	AMBIENT RANGE
		OPERATING TEMP. CODE	OPERATING TEMP. CODE	
LED	NVSLC	T6	F,G	-40°C to +40°C
Xenon	NVZSM	T2C	F,G	-40°C to +40°C

INTENSITY IN CANDELLAS

		FLASHING	STEADY
LED	Amber	4.3/7.4*	11.3
	Red	5.9/10.1*	15.4
	Green	4.5/7.8*	11.8
	Blue	2.5/4.3*	6.6
	Clear	4.8/8.2*	12.5
Xenon	Amber	40	-
	Red	10	-
	Green	20	-
	Blue	20	-
	Clear	50	-

ELECTRICAL RATINGS MAX.

LED	120VAC	040mA Flash
	240VAC	020mA Flash
	12VDC	400mA
	80VDC	60mA
	24VAC	198mA Flash
Xenon	120VAC	.04 Avg.
	240VAC	.02 Avg.
	12VDC	.40 Avg.
	80VDC	.05 Avg.
	24VAC	.35 Avg.

*CD-S/CD-Effective



LIGHTING NVS SERIES



NV2GG-S
Compact Guard

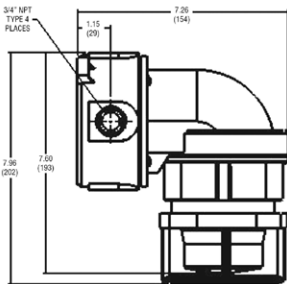


NV2GG
Medium Guard

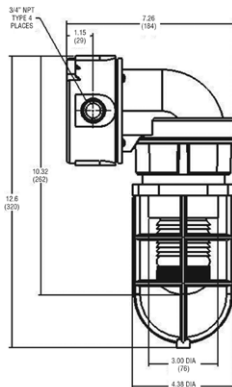
NVSZM XENON SERIES ②

NVSZMFG01	NVS XENON BODY with LAMP 120VAC
NVSZMFG08	NVS XENON BODY with LAMP 240VAC
NVSZMFG26	NVS XENON BODY with LAMP 12-80VDC; 24VAC
NVSZ-LAMP	NVS XENON REPLACEMENT LAMP
NVSMA	NVS AMBER LENS & GASKET
NVSMR	NVS RED LENS & GASKET
NVSMG	NVS GREEN LENS & GASKET
NVSMB	NVS BLUE LENS & GASKET
NVSMC	NVS CLEAR LENS & GASKET
NV2GG	NVSZM MEDIUM XENON GUARD

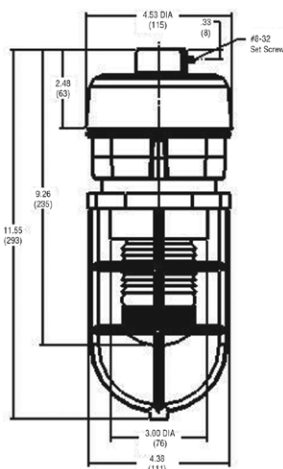
② Body and Power Supply w/ Lamp



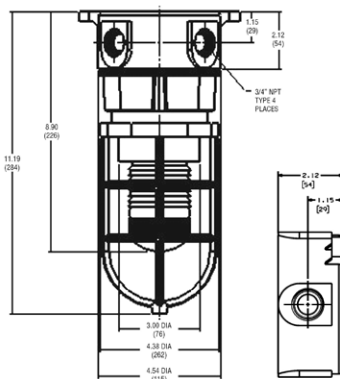
Wall
NVSL LED



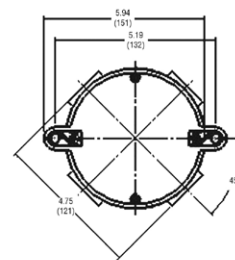
Wall
NVSZ Xenon



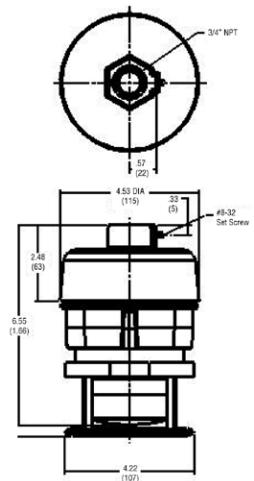
Pendant
NVSZ Xenon



Ceiling/Wall
NVSZ Xenon



Ceiling/Wall
NVSL LED



Pendant
NVSL LED

COMPONENT / REPLACEMENT PARTS

CATALOG NO.	DESCRIPTION
NVSLC LED SERIES ①	
NVSLCFG25A	LED BODY AMBR FLASH 120-240VAC
NVSLCFG25R	LED BODY RED FLASH 120-240VAC
NVSLCFG25G	LED BODY GRN FLASH 120-240VAC
NVSLCFG25B	LED BODY BLUE FLASH 120-240VAC
NVSLCFG25C	LED BODY CLR FLASH 120-240VAC
NVSLCSG25A	LED BODY AMBR STEADY 120-240VAC
NVSLCSG25R	LED BODY RED STEADY 120-240VAC
NVSLCSG25G	LED BODY GRN STEADY 120-240VAC
NVSLCSG25B	LED BODY BLUE STEADY 120-240VAC
NVSLCSG25C	LED BODY CLR STEADY 120-240VAC
NVSLCFG26A	LED BODY AMBR FLASH 12-80VDC; 24VAC
NVSLCFG26R	LED BODY RED FLASH 12-80VDC; 24VAC
NVSLCFG26G	LED BODY GRN FLASH 12-80VDC; 24VAC
NVSLCFG26B	LED BODY BLUE FLASH 12-80VDC; 24VAC
NVSLCFG26C	LED BODY CLR FLASH 12-80VDC; 24VAC
NVSLCSG26A	LED BODY AMBR STEADY 12-80VDC; 24VAC
NVSLCSG26R	LED BODY RED STEADY 12-80VDC; 24VAC
NVSLCSG26G	LED BODY GRN STEADY 12-80VDC; 24VAC
NVSLCSG26B	LED BODY BLUE STEADY 12-80VDC; 24VAC
NVSLCSG26C	LED BODY CLR STEADY 12-80VDC; 24VAC

NV2GG-S NVSLC Compact LED Guard

① Body and Lens w/o Mounting Box or Guard

NVS MOUNTING BOXES ③

NV2XG	NVS Ceiling/Wall Mtg Box
NV2AG	NVS Pendant Box
NV2BG	NVS Wall Elbow (use with NV2XG/NV2MG Box)
NV2MG	NVS M20 Ceiling/Wall Mtg Box

③ See NV2 series for additional information



FIXTURE HANGERS



FKA



HOOKLOOP

For replacement ball only
catalog number 00890545



Listed - File E27731



Certified - File LR11851
See files for details or call Killark.

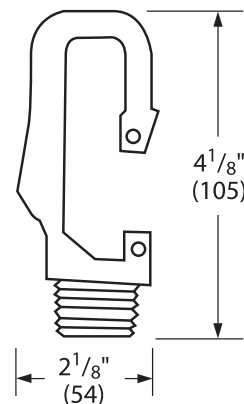
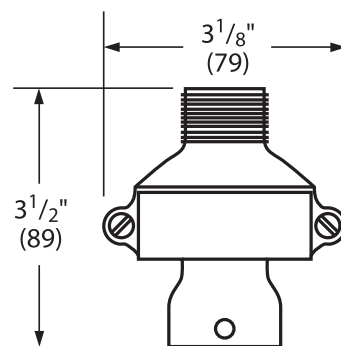
FEATURES-SPECIFICATIONS

FKA Features

- Ball joint permits fixture to hang plumb. Fixture may swing up to 20° from vertical in any direction
- Cast of aluminum alloy (copper-free aluminum; less than 1/10 of 1%)
- Set screw locks fixture stem in place. Cannot accidentally loosen – intended for use with threaded metal conduit
- Joint cannot twist conductor
- Suitable for fixtures up to 125 pounds

HOOKLOOP Features

- Pendant fixture hanger consists of a “HOOK” and safety bar which allows conversion to a “LOOP” configuration as necessary
- 3/4” male thread
- Maximum load 125 pounds



FKA		
CATALOG NUMBER	MALE THREAD	FIXTURE STEM SIZE
FKA-22	3/4"	3/4"

HOOKLOOP
CATALOG NUMBER
HOOKLOOP



LIGHTING
FH/VX SERIES

FIXTURE HANGERS

FH



Hook

V HANGER BOXES



VGA



VGC



VGH



VGX


COVERS



Flexible Hanger Covers



Hub Covers
(for Rigid Mounting)

 - File E27731 or E3397
See files for details or call Killark

 - File E27731 or E3397

FEATURES-SPECIFICATIONS

FH HOOK Features

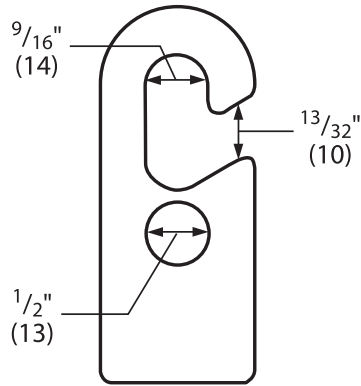
- Economical hanger for pendant fixtures
- Fixtures may absorb minor bumps and vibration through free swinging action
- Hub provided with a set screw to pre-vent accidental loosening of fixture stem
- A ½ inch hole in body is for flexible cable. Cord may be assembled with plug for quick removal of fixtures
- Cast of aluminum alloy (copper-free — less than ¼ of 1%)
- FH supports up to 125 pounds

V SERIES Features

- Flexible fixture hanger for threaded fixture stem. +120° from vertical
- Enclosed and gasketed, suitable for wet locations
- Permits angular displacement of fixture without twisting wires
- Cushioned—absorbs shock and vibration. Internal strap assures ground continuity
- Combines splice box and hanger in one unit. Splice box available in four configurations
- Cast of corrosion resistant aluminum alloy (copper-free—less than ¼ of 1%)
- Supports up to 125 pounds

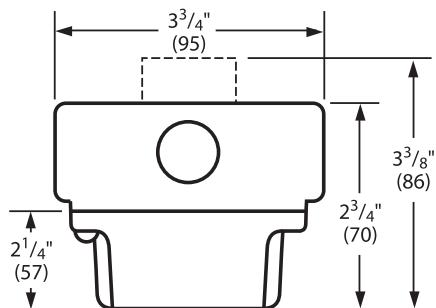


FIXTURE HANGERS



FH HOOK, LOOP		
CATALOG NUMBER	DESCRIPTION	FIXTURE STEM SIZE
FH-2	Hook	3/4"

FLEXIBLE HANGERS, V SERIES ENCLOSED AND GASKETED			
CATALOG NUMBER		HUB SIZE	FIXTURE STEM SIZE
HANGER W/SPLICE BOX	SPLICE BOX ONLY		
VPFHA-12	VGA-1	1/2"	3/4"
VPFHA-22	VGA-2	3/4"	3/4"
VPFHC-12	VGC-1	1/2"	3/4"
VPFHC-22	VGC-2	3/4"	3/4"
VPFHH-12	VGH-1	1/2"	3/4"
VPFHH-22	VGH-2	3/4"	3/4"
VPFHX-12	VGX-1	1/2"	3/4"
VPFHX-22	VGX-2	3/4"	3/4"



Flexible cover with box, dotted line is VGA pendant

FIXTURE HANGERS ONLY		
CATALOG NUMBER	DESCRIPTION	FIXTURE STEM SIZE
VPFH-2	Flexible hanger cover, maximum load 125 Lbs.	3/4"
VG-2	Hub cover for rigid mounting	3/4"



LIGHTING

HXB/XFH/EKJ SERIES

FIXTURE HANGERS



HXB

Class I, Div. 1 & 2, Groups C,D
Class I, Zones 1 & 2, Groups IIB, IIA
Class II, Div. 1 & 2, Groups E,F,G
Class III



- File E10514



- File LR11716



XFH

Class I, Div. 1 & 2, Groups C,D
Class I, Zones 1 & 2, Groups IIB, IIA
Class II, Div. 1 & 2, Groups E,F,G
Class III



- File E10514



- File LR11716



EKJ

Class I, Div. 1 & 2, Groups A,B,C,D
Class I, Zones 1 & 2, Groups IIC, IIB, IIA
Class II, Div. 1 & 2, Groups E,F,G
Class III



- File E10514



- File LR11716

FEATURES-SPECIFICATIONS

HXB Features

- Fixture hanger for hazardous locations combining splice box and hanger
- Set screws in female hub prevents accidental loosening of fixture stem; set screws in hub cover lock cover to the splice box
- Four hubs in "X" configuration up to 3/4"
- Flange mounting ring cast as integral part of box
- Splice box wiring hole with cover for access to box interior
- Cast of corrosion resistant aluminum alloy (copper-free aluminum; less than 4/10 of 1%)
- Supports to 125 pounds; vol. 16 cu."

XFH Features

- Fixture hanger for hazardous locations combining splice box and hanger
- Set screws in female hub prevents accidental loosening of fixture
- Straight through conduit hubs for through feed. 20 cu"
- Mounting lugs are standard
- Cast of corrosion resistant aluminum alloy (copper-free aluminum; less than 4/10 of 1%)
- Supports to 125 pounds

EKJ Features

- Fixture pendant hanger for hazardous locations
- Permits free swing and plumb hang
- Set screws in each hub prevents accidental loosening of fixture
- Constructed of seamless bronze hose with brass outer braid. Asphaltum impregnated jute inner insulates and protects wire from abrasion. Brass female end fittings are supplied with short nipples
- Electrical ground continuity without bonding jumper
- Suitable for wet locations as well as hazardous locations
- Flexible lengths 4 to 18 inches
- Supports to 125 pounds



FIXTURE HANGERS

HXB SPLICE BOX AND HANGER

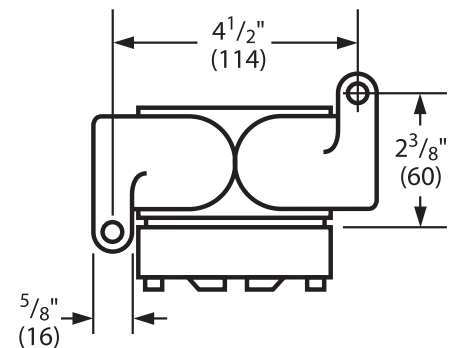
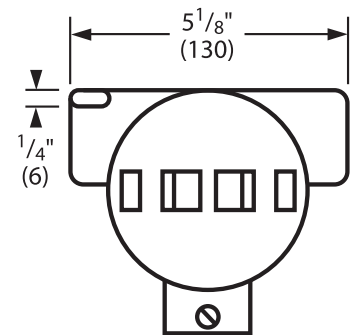
CATALOG NUMBER	CONDUIT HUB SIZE	FIXTURE STEM SIZE
HXB-11	1/2"	1/2"
HXB-12	1/2"	3/4"
HXB-21	3/4"	1/2"
HXB-22	3/4"	3/4"
HXBC	Blank Cover	
HIC-SILVER	Replacement Wiring Plug	

XFH SPLICE BOX AND HANGER

CATALOG NUMBER	CONDUIT HUB SIZE	FIXTURE STEM SIZE
XFH-21	3/4"	1/2"
XFH-22	3/4"	3/4"

EKJ FLEXIBLE PENDANT HANGER *

CATALOG NUMBER	CONDUIT HUB SIZE	FIXTURE STEM SIZE
EKJ-14	1/2"	4"
EKJ-24	3/4"	
EKJ-16	1/2"	6"
EKJ-26	3/4"	
EKJ-18	1/2"	8"
EKJ-28	3/4"	
EKJ-110	1/2"	10"
EKJ-210	3/4"	
EKJ-112	1/2"	12"
EKJ-212	3/4"	
EKJ-115	1/2"	15"
EKJ-215	3/4"	
EKJ-118	1/2"	18"
EKJ-218	3/4"	





LIGHTING

JL/JAL/ENY SERIES

FIXTURE HANGERS



JL



JAL



ENY Pendant Seal

Class I, Div. 1 & 2, Groups C,D
Class I, Zones 1 & 2, Group IIB
Class II, Div. 1 & 2, Groups E,F,G
Class III



LISTED - File E10514



Certified - File LR11716

Class I, Div. 1 & 2, Groups A,B,C,D
Class I, Zones 1 & 2, Groups IIC,IIB,IIA
Class II, Div. 1 & 2, Groups E,F,G
Class III

FEATURES-SPECIFICATIONS

JL/JAL Features



- Splice box and hub cover for mounting pendant fixtures in hazardous locations
- Conduit openings in two configurations
- Flange type cover. Set screw in hub prevents accidental loosening of fixture stem
- Integral lugs for mounting box to ceiling
- Cast of corrosion resistant aluminum alloy (copper-free aluminum; less than 4/10 of 1%)
- Supports up to 125 pounds

ENY PENDANT SEALS Features

- ENY Pendant Seals are designed for hazardous locations and meet code requirements for a safety set-screw when hanging fixtures. Common applications are for Class I Division I Group B or Class I Zone 2 Ex nR restricted breathing fixtures
- Cast of corrosion resistant aluminum alloy (copper-free aluminum; less than 4/10 of 1%)
- Supports up to 125 pounds

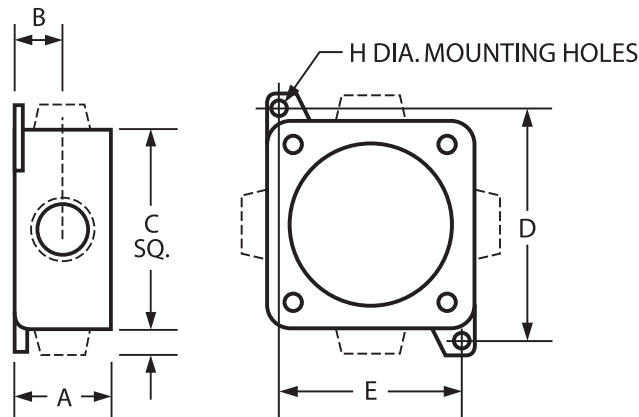


FIXTURE HANGERS

JL/JAL SPLICE BOX AND HUB COVER FIXTURE HANGER				
CATALOG NUMBER		CONDUIT BOX	COVER	TYPE
JL SERIES W/HUB COVER	JAL SERIES W/HUB COVER			
JLC-11	—	1/2"	1/2"	CS Straight Through 
JLC-12	—	1/2"	3/4"	
JLC-21	—	3/4"	1/2"	
JLC-22	—	3/4"	3/4"	
JLX-11	JALX-11	1/2"	1/2"	XF our Hubs 
JLX-12	JALX-12	1/2"	3/4"	
JLX-21	JALX-21	3/4"	1/2"	
JLX-22	JALX-22	3/4"	3/4"	
—	JALX-31	1"	1/2"	
—	JALX-32	1"	3/4"	

CATALOG NUMBER	SIZE
ENY-2SET	3/4"

JL/JAL DIMENSIONS						
SERIES	A	B	C	D	E	F
JL	1-15/16" (49)	11/16" (17)	3-1/4" (95)	4-7/32" (107)	2-3/8" (60)	5/16" (8)
JAL	2-3/8" (60)	15/32" (12)	4-5/8" (117)	5-1/4" (133)	4-1/8" (105)	5/16" (8)





LIGHTING EVOLUTION X



Evolution X Ex db eb LED Floodlight

**Type of Protection: Ex db eb (Flameproof, Increased Safety)
Ex tb (Dust Protected Enclosure)**

**ATEX Classification: Group II
Category 2 GD**

Area Classification: Zone 1 and 21 areas to EN 60079-10-1 and EN 60079-10-2 with installation to EN 60079-14

**Certificate: EU Type Examination Certificate CML20ATEX1114X
IECEX Certificate of Conformity IECEX CML 20.0073X**

**Coding: Ex db eb IIB+H2 T* Gb
Ex tb IIIC T**°C Db IP6X
Refer to table for T rating and Ambient**



FEATURES-SPECIFICATIONS

Features

- Highly Energy Efficient >109lm/W
- Slimline, sealed for life LED enclosure with no exposed flamepaths
- Available with asymmetric optic, minimizing light pollution.
- Easy access gearbox with captive screws.
- Optional remote gearbox with flying lead for ease of maintenance and installation.
- 120,000 maintenance free hours at 25°C
- Entry: 2 x M20 cable entries
- Termination: 3 core 6mm² max conductor with looping
- Installation: 3 x Ø13 mounting holes stirrup
- Control Gear: Electronic Driver
- Optical Distribution: Wide beam
- Color Temperature (CCT): 5000K (Cool White)
- Color Rendering Index (Ra): >80
- Maintenance: Front access to gearbox lid with 4x M6 captive screws

Materials

- Enclosure: LM6 Marine grade aluminium body with UV resistant glass diffuser. LED heatsink and gearbox with epoxy powder finish (RAL 7040)

Electrical Ratings

- LED Lifetime @ 60°C Ambient: L70 > 200,000hrs
- System Life @ Ambient: 120,000hrs @ 25°C
- Impact Protection: IK10
- Ingress Protection: IP66/67 to EN 60529
- Surge Protection: 6kV
- Electrical Supply: 110-277V AC, 50/60Hz 127-250V DC



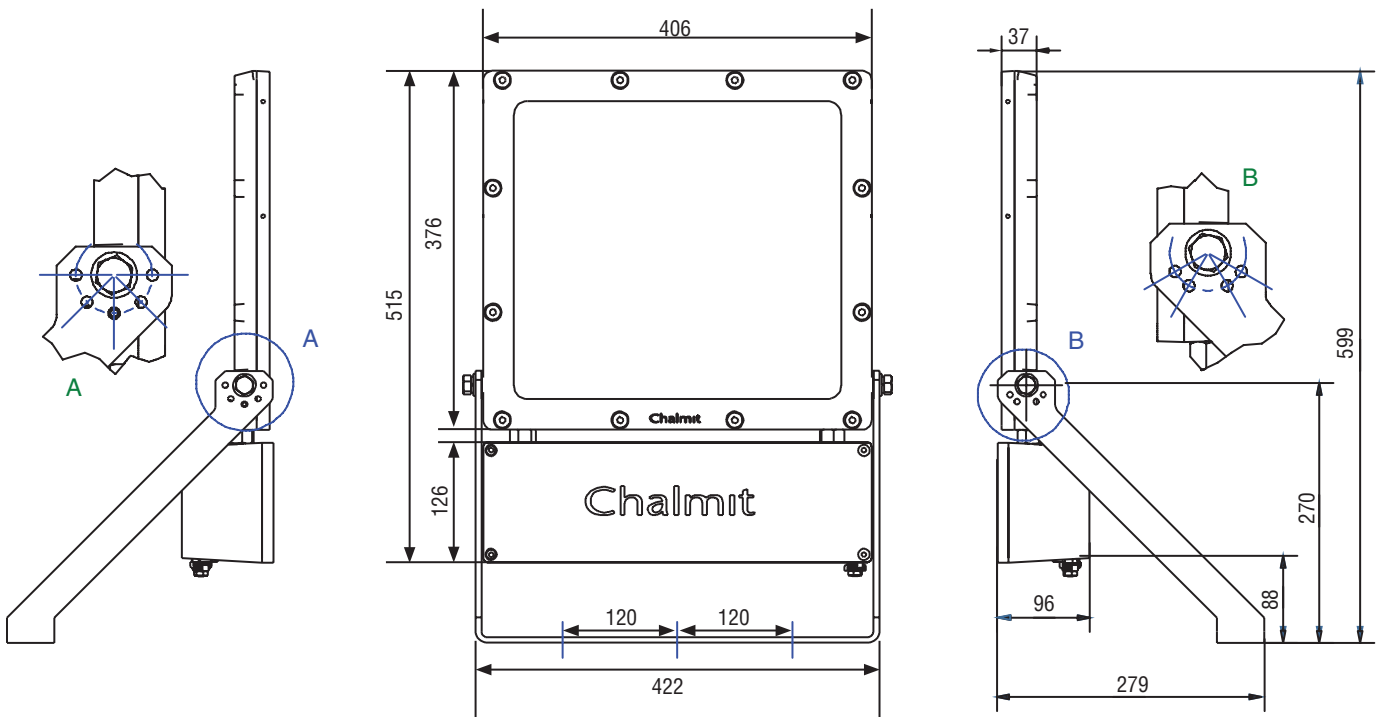
ORDERING INFORMATION

STD. CAT NO.	DELIVERED OUTPUT	POWER CONSUMPTION	TCLASS	T°C (DUST)	AMBIENT °C	WEIGHT
EVXB/20L/LE	20,980 lm	188W	T5 T4	T100 T135	-55 to +40 -55 to +60	15.5kg
EVXB/30L/LE	29,433 lm	253W	T5 T4	T100 T135	-55 to +40 -55 to +60	17kg
EVXB/40L/LE	40,052 lm	375W	T5 T4	T100 T135	-55 to +40 -55 to +60	17kg

OPTIONS - SUFFIX TO CATALOG NO.	
/M25	M25 Cable Entries
/N	Narrow Beam Distribution (≈5% reduction in output)
/AS	Asymmetric Distribution (≈11% reduction in output)
/DM	DALI Dimmable driver
/RG05	Remote Gearbox complete with 5m Cable to LED Enclosure (10 & 15m cable lengths also available**)
/4K	4000K (Neutral White) LEDs
/3K	3000K (Warm White) LEDs

ACCESSORIES (ORDER SEPARATELY)	
	ORDER CODE
Pole Mounting Bracket Assembly (48-70mm Pole Diameter)	SEV04-0001
Pendant Mounting kit	SEVX4-0003
Wire Guard	SEVX4-0002
Anti Glare Shield	SEVX4-0001

STIRRUP MOUNT





LIGHTING

EVOLUTION X PENDANT



Evolution X Ex db eb LED Floodlight

Type of Protection: Ex db eb
(Flameproof, Increased Safety)
Ex tb (Dust Protected Enclosure)

ATEX Classification: Group II
Category 2 GD

Area Classification: Zone 1 and 21 areas
to EN 60079-10-1 and EN 60079-10-2
with installation to EN 60079-14

Certificate: EU Type Examination
Certificate CML20ATEX1114X
IECEX Certificate of Conformity
IECEX CML 20.0073X
UK Type Examination Certificate
CML 21UKEX1510X

Coding: Ex db eb IIB+H2 T* Gb
Ex tb IIIC T**°C Db IP6X
Refer to table for T rating and Ambient



International Approvals

FEATURES-SPECIFICATIONS

Features

- Highly Energy Efficient >106lm/W
- Slimline, sealed for life LED enclosure with no exposed flamepaths
- Available with asymmetric optic, minimizing light pollution.
- Easy access gearbox with captive screws.
- Remote gearbox option with flying lead for ease of maintenance and installation.
- 120,000 maintenance free hours at 25°C
- Entry: 2 x M20 cable entries
- Termination: 3 core 6mm² max conductor with looping
- Installation: 3 x Ø13 mounting holes stirrup
- Control Gear: Electronic Driver
- Optical Distribution: Wide beam
- Color Temperature (CCT): 5000K (Cool White)
- Color Rendering Index (Ra): >80
- Maintenance: Front access to gearbox lid with 4x M6 captive screws

Materials

- Enclosure: LM6 Marine grade aluminium body with UV resistant glass diffuser. LED heatsink and gearbox with epoxy powder finish (RAL 7040)

Electrical Ratings

- LED Lifetime @ 60°C Ambient: L70 > 200,000hrs
- System Life @ Ambient: 120,000hrs @ 25°C
- Impact Protection: IK10
- Ingress Protection: IP66/67 to EN 60529
- Surge Protection: 6kV
- Electrical Supply: 110-277V AC, 50/60Hz 127-250V DC



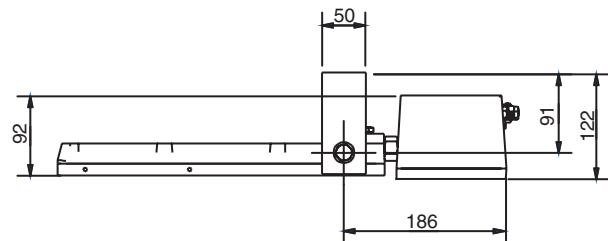
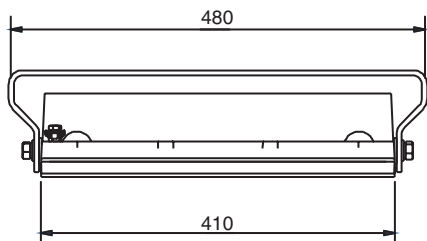
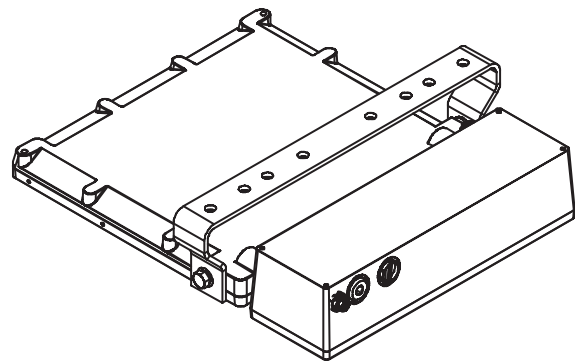
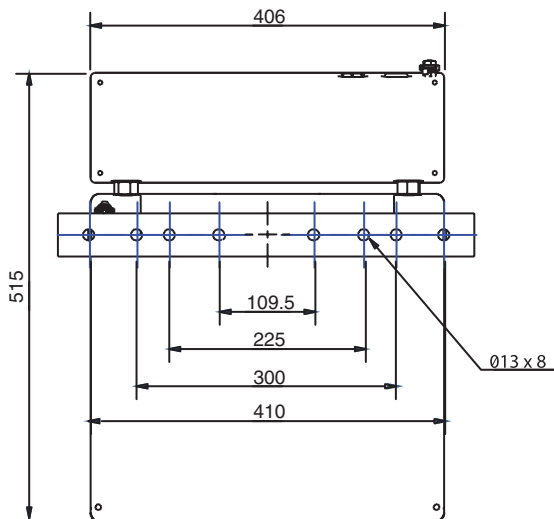
ORDERING INFORMATION

STD. CAT NO.	DELIVERED OUTPUT	POWER CONSUMPTION	TCLASS	T°C (DUST)	AMBIENT °C	WEIGHT
EVXB/20L/LE/PE	20,980 lm	188W	T5 T4	T100 T135	-55 to +40 -55 to +60	15.5kg
EVXB/30L/LE/PE	29,433 lm	253W	T5 T4	T100 T135	-55 to +40 -55 to +60	17kg
EVXB/40L/LE/PE	40,052 lm	375W	T5 T4	T100 T135	-55 to +40 -55 to +60	17kg

OPTIONS - SUFFIX TO CATALOG NO.	
/M25	M25 Cable Entries
/N	Narrow Beam Distribution (~5% reduction in output)
/AS	Asymmetric Distribution (~11% reduction in output)
/DM	DALI Dimmable driver
/RG05	Remote Gearbox complete with 5m Cable to LED Enclosure (0,10 & 15m cable lengths also available**)
/4K	4000K (Neutral White) LEDs
/3K	3000K (Warm White) LEDs

ACCESSORIES (ORDER SEPARATELY)	
	ORDER CODE
Pole Mounting Bracket Assembly (48-70mm Pole Diameter)	SEV04-0001
Pendant Mounting kit	SEVX4-0003
Wire Guard	SEVX4-0002
Anti Glare Shield	SEVX4-0001

PENDANT MOUNT





LIGHTING HDL106N



HDL106N Ex e LED Floodlight

Type of Protection: Ex e mb (Increased Safety, Encapsulation)

Ex tb (Dust Protected Enclosure)

ATEX Classification: Group II
Category 2 GD

Area Classification: Zone 1 and 21 areas
to EN 60079-10-1 and EN 60079-10-2
with installation to EN 60079-14

Certificate: EU Type Examination
Certificate Sira 09ATEX5159X
IECEX Certificate of Conformity
IECEX SIR 09.0064X

Coding: Ex e mb IIC T4/T3 Gb
Ex tb IIC T103°C Db

Ambient °C: -20 to +50 (T4) / +59.5 (T3)



International Approvals

FEATURES-SPECIFICATIONS

Features

- Highly Energy Efficient
- Instant on crisp white light output
- Modular design allowing up to four interlinked luminaires, each providing a delivered output >5500lm
- Lower power consumption than HID lamps
- Lightweight (6kg per module) lighting solution
- >150,000 maintenance free hours at 25°C (L70)
- Entry: 2 x M20 cable entries
- Termination: 3 core 6mm² max conductor with looping
- Installation: Stirrup mounting bracket
- Control Gear: Electronic Driver
- Color Temperature (CCT): Refer to Ordering Matrix
- Color Rendering Index (Ra): >70
- Maintenance: M8 Hex Head and M6 SKT Head

Materials

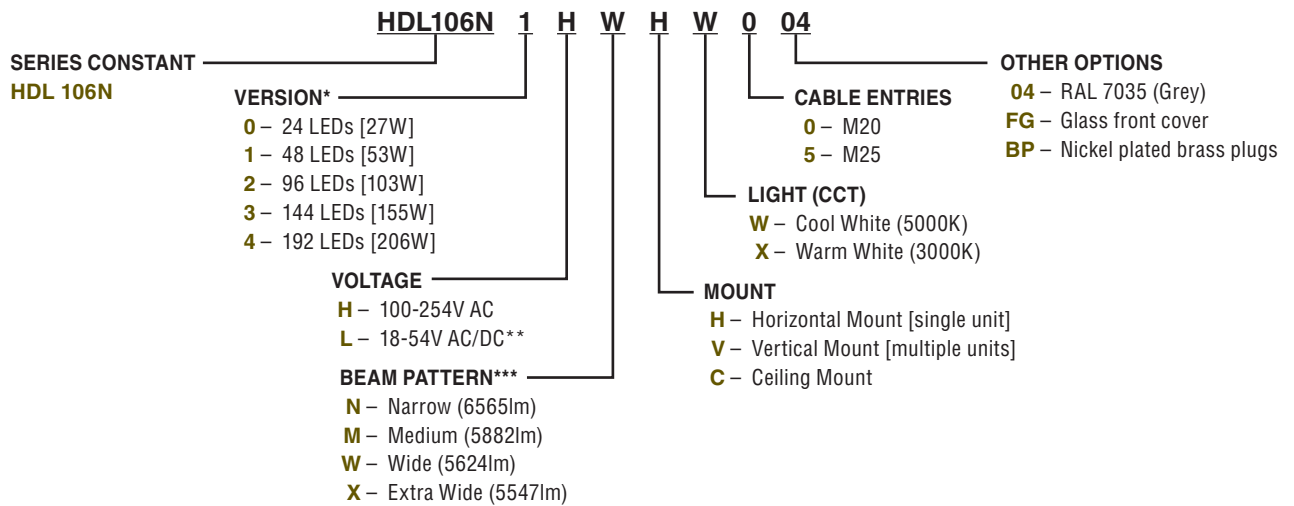
- Enclosure: LM6 Aluminium with epoxy powder finish (RAL 7035) and Polycarbonate diffuser

Electrical Ratings

- Ingress Protection: IP66/67 to EN 60529
- Surge Protection: 4kV line to line, 6kV line to earth
- Electrical Supply: Refer to Ordering Matrix



CATALOG LOGIC / ORDERING INFORMATION



Typical ordering reference: HDL106N1HWHW004

*Power consumption provided in square brackets

**Upper ambient becomes +55°C. Coding becomes 'Ex e mb IIC T4 Gb; Ex tb IIIC T87°C Db'

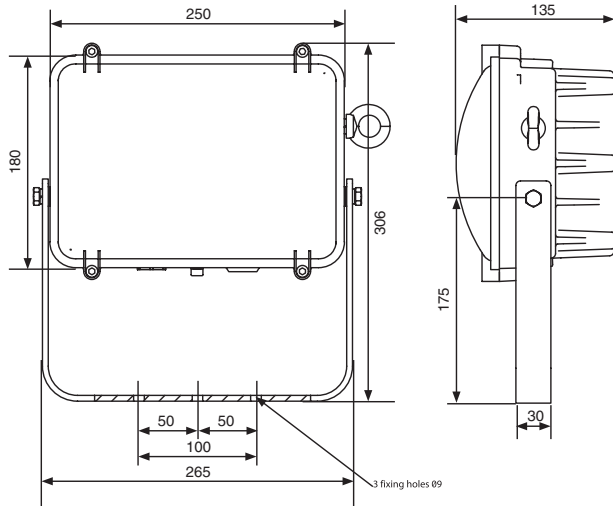
***Delivered outputs based on single module 48LED version

ACCESSORIES ORDER SEPARATELY	
	ORDER CODE
Crane Damper Bracket (96 LEDs Twin Module)	SHDL1-000002
Crane Damper Bracket (144 LEDs Triple Module)	SHDL1-000003

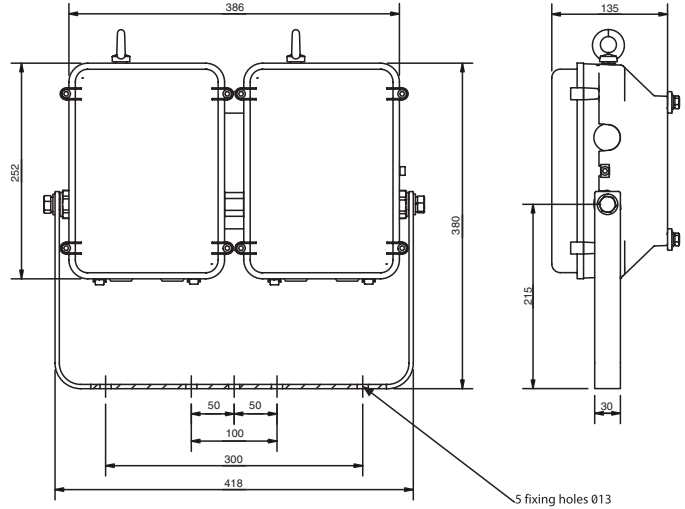


DIMENSIONS

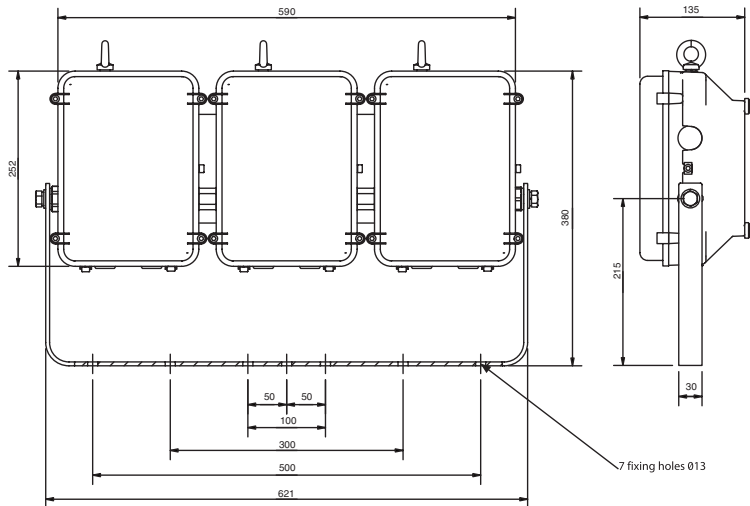
Single Unit (24/48 LEDs)



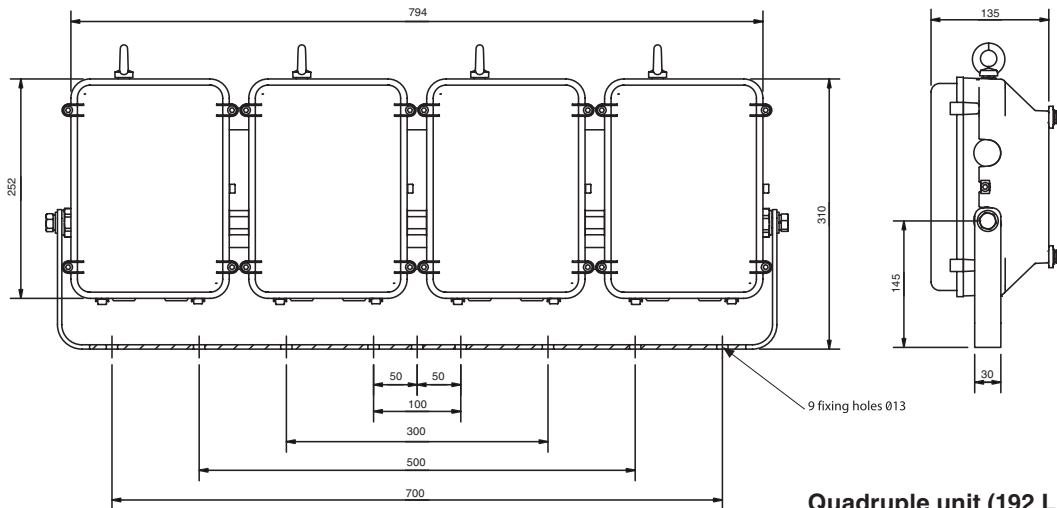
Double unit (96 LEDs)



Triple unit (144 LEDs)



Quadruple unit (192 LEDs)





HDL106NE Ex e LED Floodlight

Type of Protection: Ex e mb
(Increased Safety, Encapsulation)
Ex tb (Dust Protected Enclosure)

ATEX Classification: Group II
Category 2 GD

Area Classification: Zone 1 and 21 areas
to EN 60079-10-1 and EN 60079-10-2
with installation to EN 60079-14

Certificate: EU Type Examination
Certificate Sira 09ATEX5159X
IECEX Certificate of Conformity
IECEX SIR 09.0064X

Coding: Ex e mb IIC T4 Gb
Ex tb IIIC T103°C Db

Ambient °C: -20 to +50



FEATURES-SPECIFICATIONS

Features

- Highly Energy Efficient
- Instant on crisp white light output
- Modular design allowing up to three interlinked luminaires, each providing a delivered output >5500lm
- Lower power consumption than HID lamps
- Lightweight (9kg per module) lighting solution
- >150,000 maintenance free hours at 25°C (L70)
- Entry: 2 x M20 cable entries
- Termination: 3 core 4mm² max. conductor with looping
- Installation: Stirrup mounting bracket
- Control Gear: Electronic Driver
- Color Temperature (CCT): Refer to Ordering Matrix
- Color Rendering Index (Ra): >70
- Maintenance: M8 Hex Head and M6 SKT Head

Materials

- Enclosure: LM6 Aluminium with epoxy powder finish (RAL 7035) and Polycarbonate diffuser

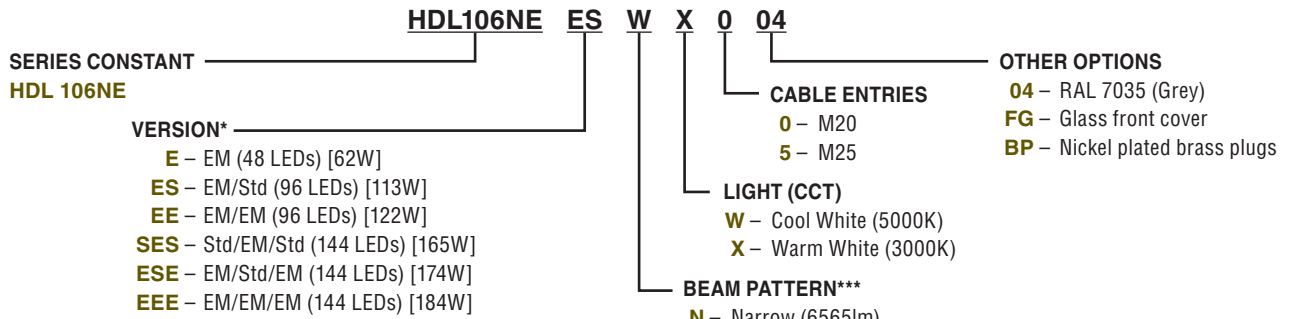
Electrical Ratings

- Emergency Duration: 90mins (75%) or 3hrs (37.5%)
- Ingress Protection: IP66/67 to EN 60529
- Surge Protection: 4kV line to line, 6kV line to earth
- Electrical Supply: 100-254V AC 50/60Hz



LIGHTING
HDL106NE

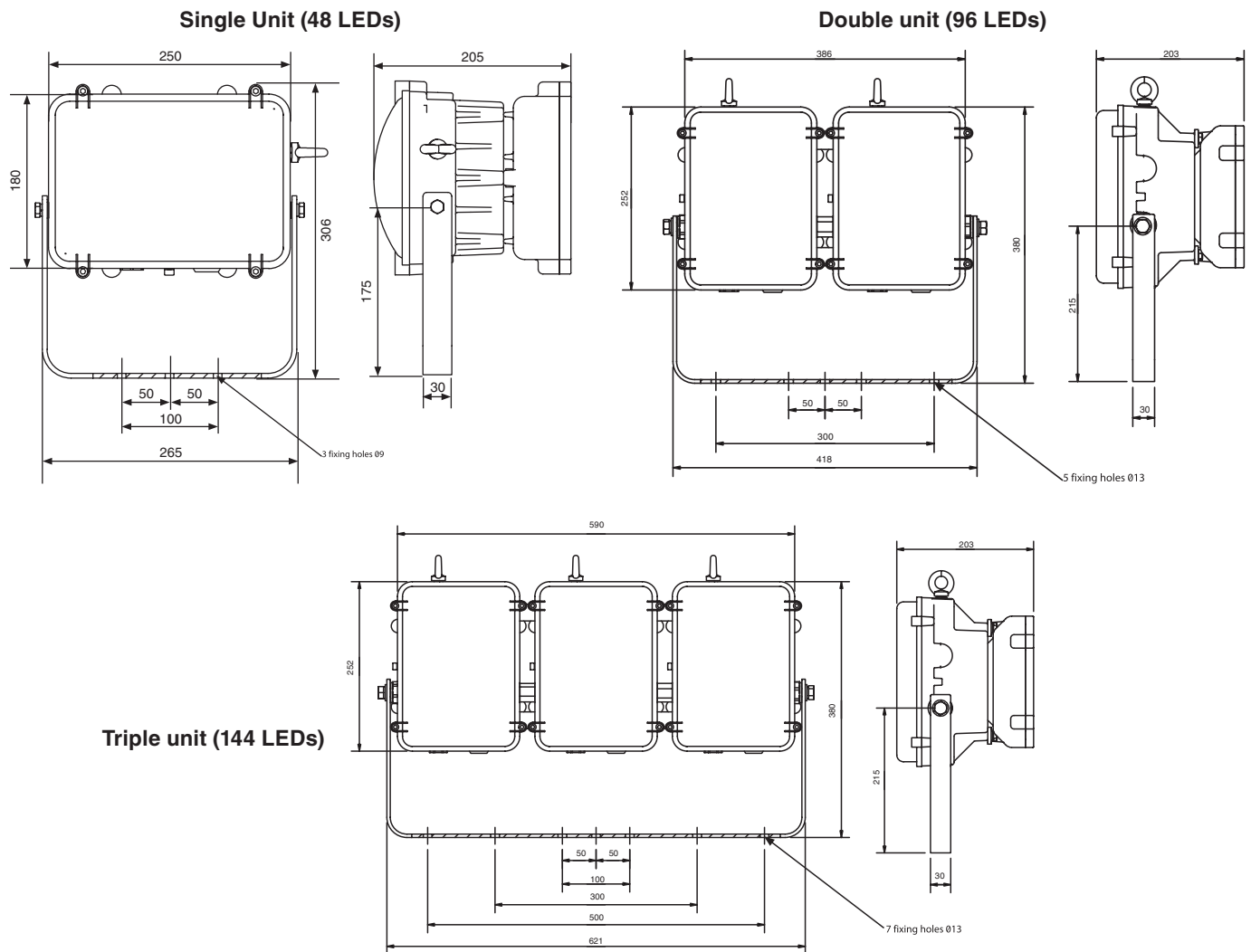
CATALOG LOGIC / DIMENSIONS



Typical ordering reference: HDL106NESWX04

*Power consumption provided in square brackets

**Delivered outputs based on single module 48LED version





HDL206N Ex e LED Floodlight

- Type of Protection: Ex e mb (Increased Safety, Encapsulation)
Ex tb (Dust Protected Enclosure)
- ATEX Classification: Group II
Category 2 GD
- Area Classification: Zone 1 and 21 areas to EN 60079-10-1 and EN 60079-10-2 with installation to EN 60079-14
- Certificate: EU Type Examination Certificate Sira 09ATEX5159X
IECEX Certificate of Conformity IECEX SIR 09.0064X
- Coding: Ex e mb IIC T4/T3 Gb
Ex tb IIIC T103°C Db
- Ambient °C: -20 to +50 (T4) / +59.5 (T3)



FEATURES-SPECIFICATIONS

Features

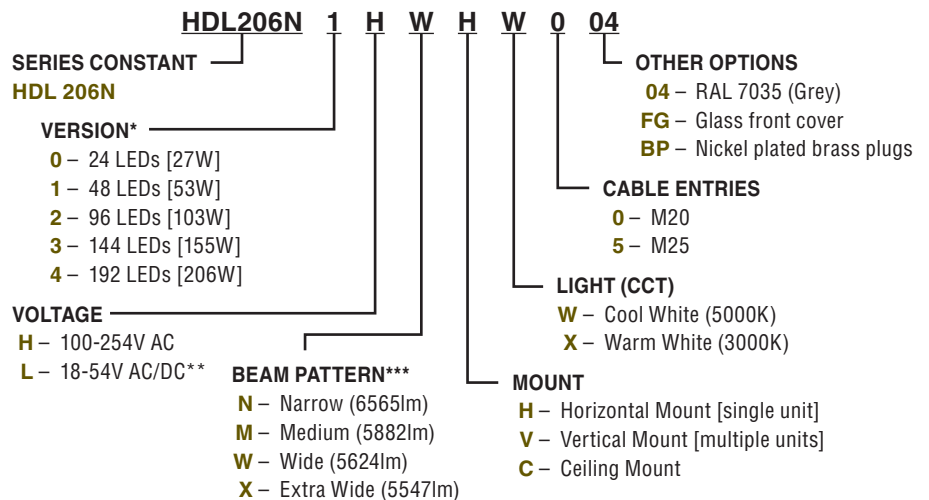
- Highly Energy Efficient
- Instant on crisp white light output
- Modular design allowing up to four interlinked luminaires, each providing a delivered output >5500lm
- Lower power consumption than HID lamps
- Lightweight (6kg per module) lighting solution
- >150,000 maintenance free hours at 25°C (L70)
- Entry: 2 x M20 cable entries
- Termination: 3 core 6mm² max conductor with looping
- Installation: Stirrup mounting bracket
- Control Gear: Electronic Driver
- Color Temperature (CCT): Refer to Ordering Matrix
- Color Rendering Index (Ra): >70
- Maintenance: M8 Hex Head and M6 SKT Head

Materials

- Enclosure: LM6 Aluminium with epoxy powder finish (RAL 7035) and Polycarbonate diffuser

Electrical Ratings

- Ingress Protection: IP66/67 to EN 60529
- Surge Protection: 4kV line to line, 6kV line to earth
- Electrical Supply: Refer to Ordering Matrix



Typical ordering reference: **HDL206N1HWHW004**

*Power consumption provided in square brackets

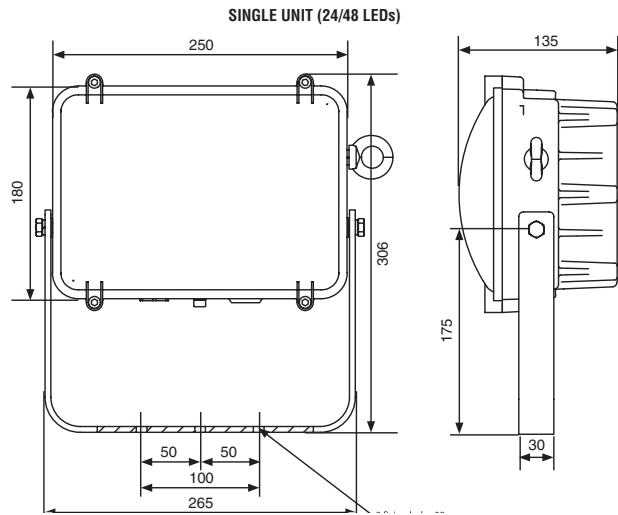
**Upper ambient becomes +55°C. Coding becomes 'Ex e mb IIC T4 Gb; Ex tb IIIC T87°C Db'

***Delivered outputs based on single module 48LED version

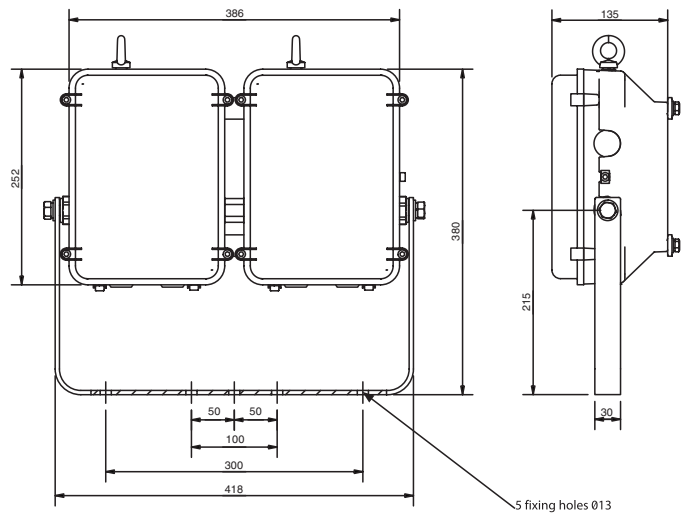


DIMENSIONS

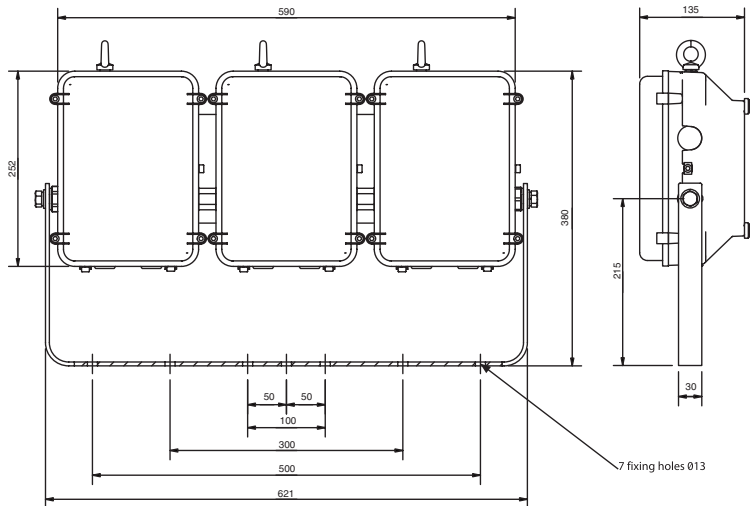
Single Unit (24/48 LEDs)



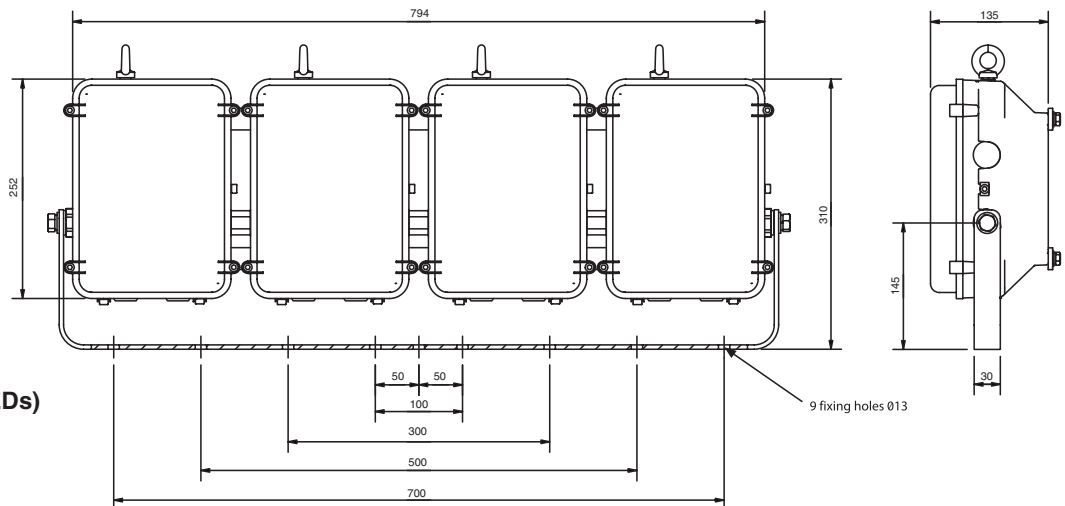
Double unit (96 LEDs)



Triple unit (144 LEDs)



Quadruple unit (192 LEDs)





HDN206NE Ex e LED Floodlight

Type of Protection: Ex e mb
(Increased Safety, Encapsulation)
Ex tb (Dust Protected Enclosure)

ATEX Classification: Group II
Category 2 GD

Area Classification: Zone 1 and 21 areas
to EN 60079-10-1 and EN 60079-10-2
with installation to EN 60079-14

Certificate: EU Type Examination
Certificate Sira 09ATEX5159X
IECEX Certificate of Conformity
IECEX SIR 09.0064X

Coding: Ex e mb IIC T4/T3 Gb
Ex tb IIC T103°C Db

Ambient °C: -20 to +50 (T4) / +59.5 (T3)



FEATURES-SPECIFICATIONS

Features

- Highly Energy Efficient
- Instant on crisp white light output
- Modular design allowing up to three interlinked luminaires, each providing a delivered output >5500lm
- Lower power consumption than HID lamps
- Lightweight (9kg per module) lighting solution
- >80,000 maintenance free hours at 25°C (L70)
- Entry: 2 x M20 cable entries
- Termination: 3 core 6mm² max conductor with looping
- Installation: Stirrup mounting bracket
- Control Gear: Electronic Driver
- Color Temperature (CCT): Refer to Ordering Matrix
- Color Rendering Index (Ra): >70
- Maintenance: M8 Hex Head and M6 SKT Head

Materials

- Enclosure: LM6 Aluminium with epoxy powder finish (RAL 7035) and Polycarbonate diffuser

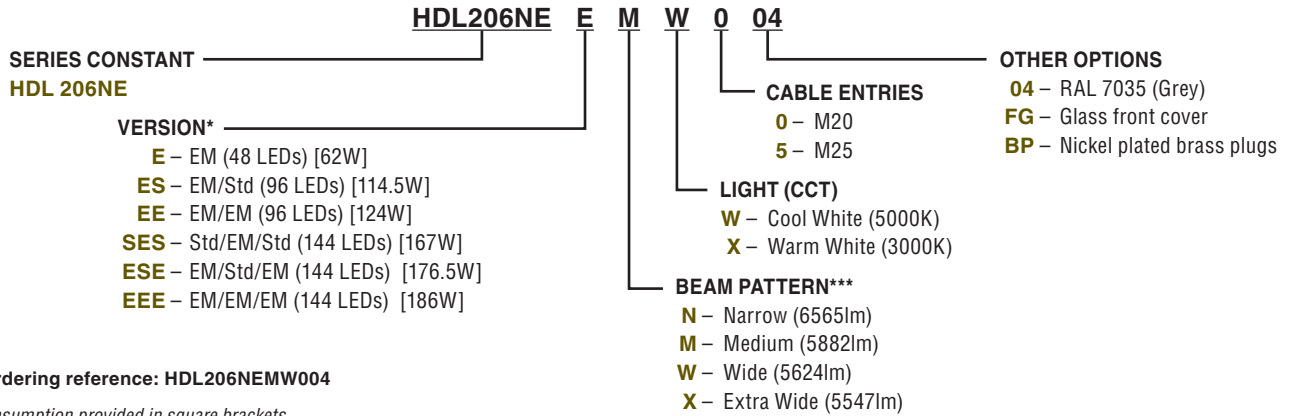
Electrical Ratings

- Ingress Protection: IP66/67 to EN 60529
- Surge Protection: 4kV line to line, 6kV line to earth
- Electrical Supply: Refer to Ordering Matrix



LIGHTING
HDL206NE

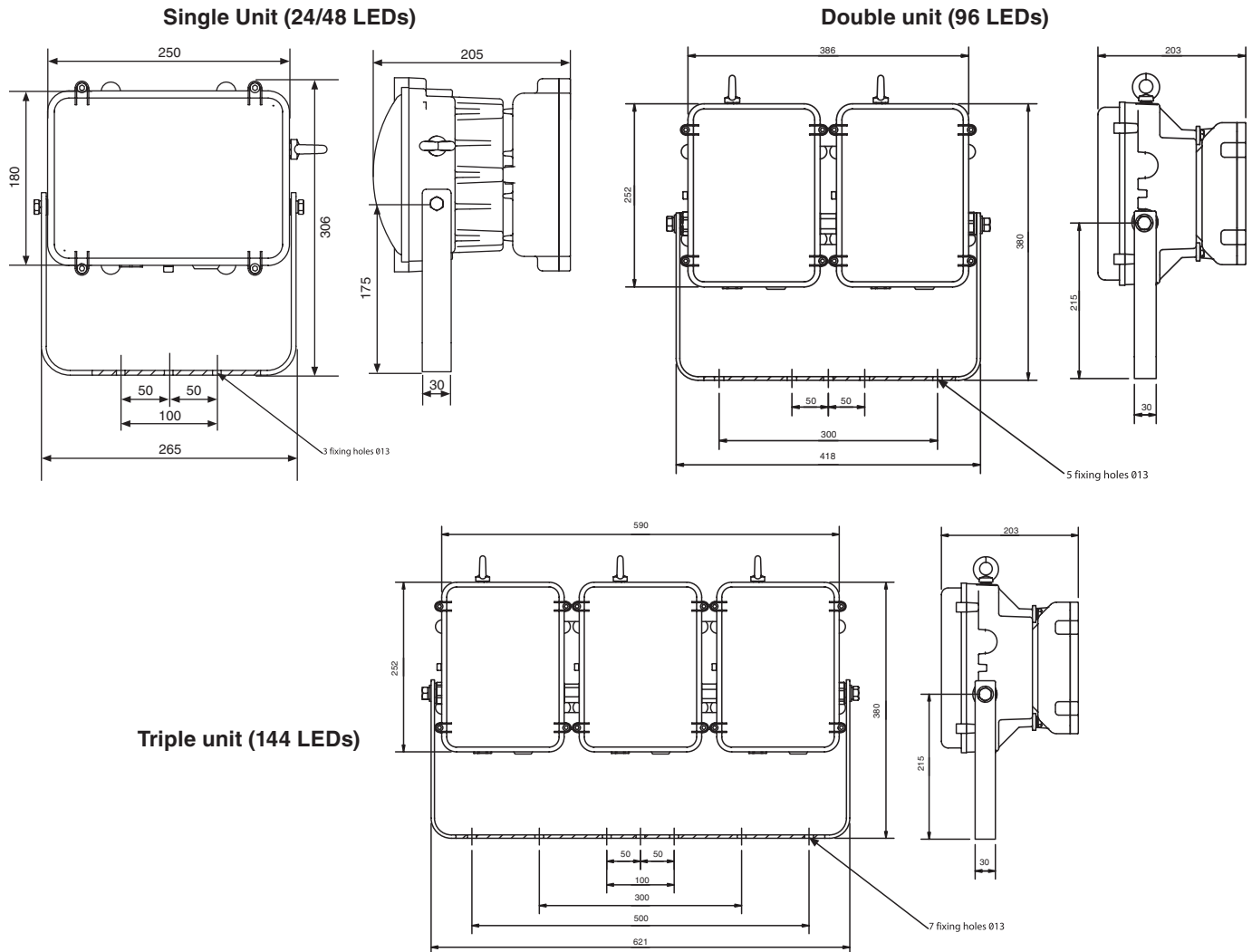
CATALOG LOGIC / DIMENSIONS



Typical ordering reference: HDL206NEMW004

*Power consumption provided in square brackets

**Delivered outputs based on single module 48LED version





Protecta X LED Linear



FEATURES-SPECIFICATIONS

Features

- Highly Energy Efficient >135lm/W
- Battery management and automatic self test
- Multiple beam distributions available
- Front access cover with screwless mains terminals for easy termination
- >90,000 maintenance free hours at 60°C
- Externally accessible battery stick for ease of maintenance
- Entry: 4 x M20 cable entries - 2 at each end [3 cable entries on Emergency with battery stick]
- Termination: 3 core 4mm² max conductor [4 core on Emergency] with looping one end and 16A rating through wiring
- Installation: 2 x M8 mounting points located on the rear of the body
- Control Gear: Electronic Driver
- Optical Distribution: Wide beam
- Color Temperature (CCT): 5000K (Cool White)
- Color Rendering Index (Ra): >70 (>80 option available)
- Maintenance: Front access panel with Torx screws

Materials

- Enclosure: Marine grade aluminium body with polycarbonate diffuser. Driver enclosure with epoxy powder finish (RAL 9005)
- Geartray: Aluminium

Electrical Ratings

- LED Lifetime @ 60°C Ambient: L70 > 200,000hrs
- System Life @ Ambient: 120,000hrs @ 25°C; 90,000hrs @ 60°C [excluding battery]
- Battery: Hot-Swappable Ni-MH (6V) battery stick - externally accessed [/EM version only]
- Emergency Duration: 90 mins (02L = 50% output; 05L = 25% output) [ASL/ASW Asymmetric versions - 3hours only]
- Impact Protection: IK10
- Ingress Protection: IP66/67 to EN 60529
- Surge Protection: 4kV
- Electrical Supply: 110-277V AC, 50/60Hz 127-250V DC



LIGHTING
PROTECTA X

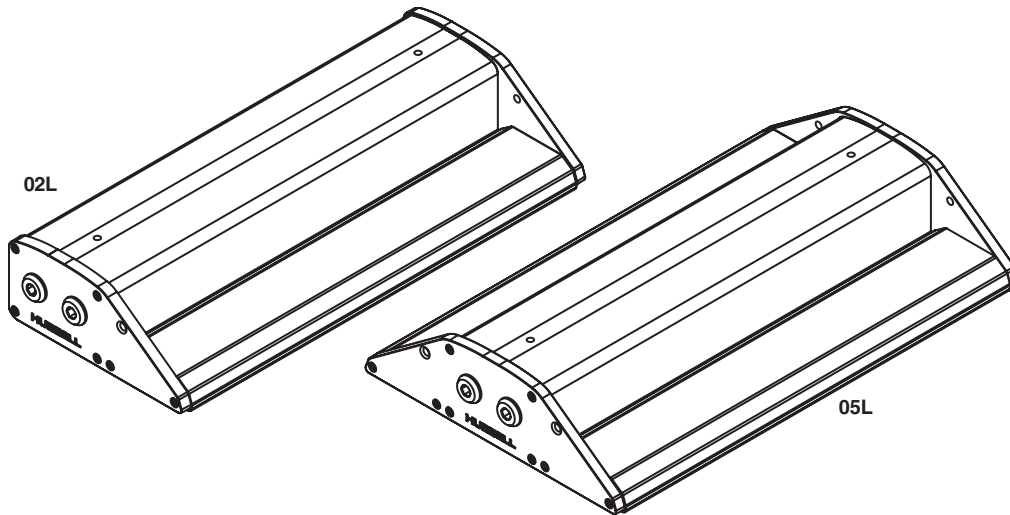
ORDERING INFORMATION

STD. CAT NO.	DELIVERED OUTPUT	POWER CONSUMPTION	AMBIENT °C	WEIGHT
PRXI/02L/LE	2696 lm	16W	-40 to +60	6.8kg
PRXI/05L/LE	5230 lm	35W	-40 to +60	8.8kg
PRXI/02L/LE/EM	2696 lm	19W	-25 to +60	7.3kg
PRXI/05L/LE/EM	5230 lm	38W	-25 to +60	9.3kg

ACCESSORIES ORDER SEPARATELY	
	ORDER CODE
Pole mounting bracket assembly (38-42mm diameter poles)	SPOL4-100001
Pole mounting bracket assembly (58-62mm diameter poles)	SPOL4-100002
Pole mounting bracket assembly (58-62mm diameter poles)	SPOL4-100003
Hook type ceiling bracket assembly	SPR04-0005
Flush mounted wall bracket assembly	SPR04-0006
Ceiling bracket assembly	SPR04-0002
Standard wall mounting outreach bracket (use with SPOL4-100001)	NPR04-0008
Eyebolt mounting assembly*	SPR05-0005
Protecta 4ft adaptor bracket	SPR05-0006

*Only available for the 05L option.

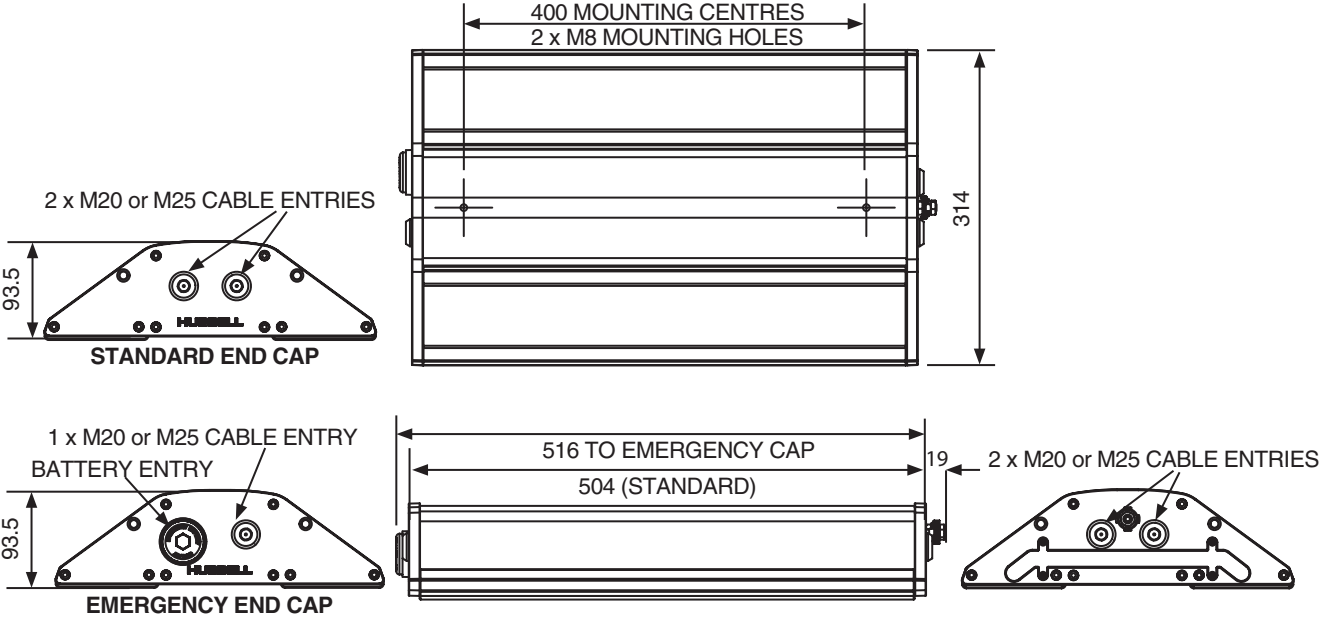
OPTIONS - SUFFIX TO CATALOG NO.	
/M25	M25 cable entries
/LBE	Looping both sides [Non Emergency only]
/EL	Extra live termination facility (to match emergency circuit) [Non Emergency only, Not available with /SC]
/EMI	Internal battery pack [replace /EM with /EMI]
/NST	Non Self Test [Emergency version only]
/ASL	Asymmetric along length optic
/ASW	Asymmetric along width optic [05L version only]
/80	80 CRI LEDs
/3H	3 hour battery duration (02L = 25% output; 05L = 12.5% output) [Standard on ASW or ASL versions]
/4K	4000K (Neutral White) LED Strips
/SC	Screwed connection terminal block (up to 6mm ² conductors) [Non Emergency only]
/BNI	Batteries not included [Emergency version only]
/DM	DALI Dimmable driver
/M	Medium beam optic
/BP	Nickel plated brass plugs
/OD	Opal diffuser (max. 30% reduction in output)



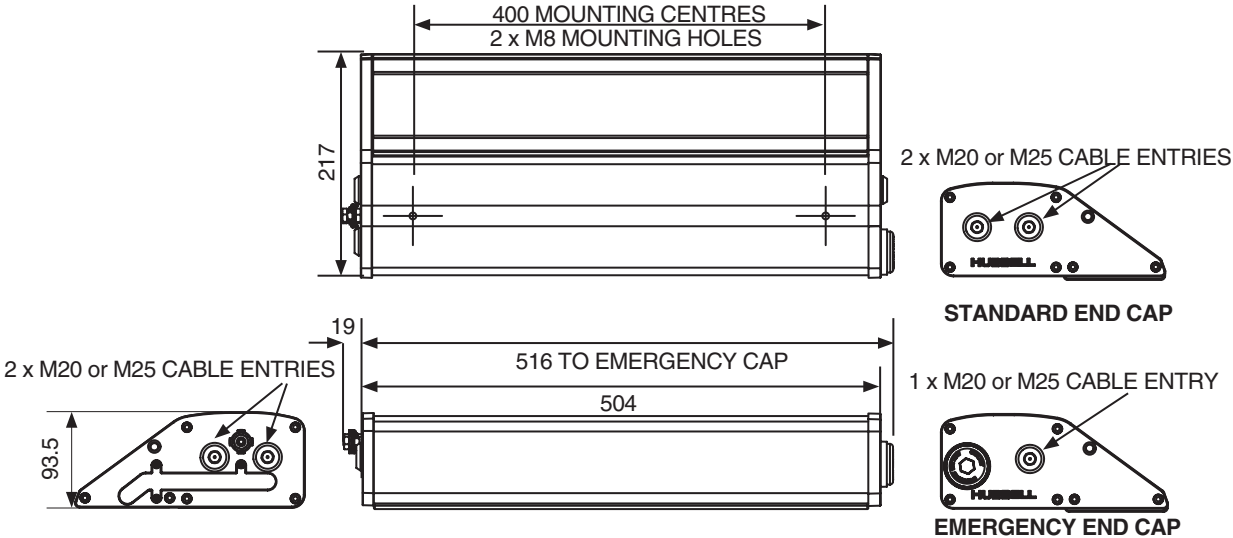


DIMENSIONS

PROTECTA X - 05L



PROTECTA X - 02L





LIGHTING

PROTECTA X Z1



Protecta X Ex eb LED Linear

Type of Protection: Ex db eb mb
(Flameproof, Increased Safety, Encapsulation)
Ex tb (Dust Protected Enclosure)

ATEX Classification: Group II
Category 2 GD

Area Classification: Zone 1 and 21 areas
to EN 60079-10-1 and EN 60079-10-2

Certificate: EU Type Examination
Certificate CML18ATEX3358X
IECEX Certificate of Conformity IECEX
CML 18.0167X
UK Type Examination Certificate CML
21UKEX1506X

Coding: Ex db eb mb IIC T5 Gb
Ex tb IIIC T85°C Db IP6X



International Approvals

FEATURES-SPECIFICATIONS

Features

- Highly Energy Efficient >135lm/W
- Battery management and automatic self test
- Multiple beam distributions available
- Front access cover with screwless mains terminals for easy termination
- >90,000 maintenance free hours at 60°C
- Externally accessible battery stick for ease of maintenance
- Entry: 4 x M20 cable entries - 2 at each end [3 cable entries on Emergency with battery stick]
- Termination: 3 core 4mm² max conductor [4 core on Emergency] with looping one end and 16A rating through wiring
- Installation: 2 x M8 mounting points located on the rear of the body
- Control Gear: Electronic Driver
- Optical Distribution: Wide beam
- Color Temperature (CCT): 5000K (Cool White)
- Color Rendering Index (Ra): >70 (>80 option available)
- Maintenance: Front access panel with Torx screws

Materials

- Enclosure: Marine grade aluminium body with polycarbonate diffuser.
Driver enclosure with epoxy powder finish (RAL 9005)
- Geartray: Aluminium

Electrical Ratings

- LED Lifetime @ 60°C Ambient: L70 > 200,000hrs
- System Life @ Ambient: 120,000hrs @ 25°C; 90,000hrs @ 60°C [excluding battery]
- Battery: Hot-Swappable Ni-MH (6V) battery stick - externally accessed [/EM version only]
- Emergency Duration: 90 mins (02L = 50% output; 05L = 25% output) [ASL/ASW Asymmetric versions - 3hours only]
- Impact Protection: IK10
- Ingress Protection: IP66/67 to EN 60529
- Surge Protection: 4kV
- Electrical Supply: 110-277V AC, 50/60Hz 127-250V DC



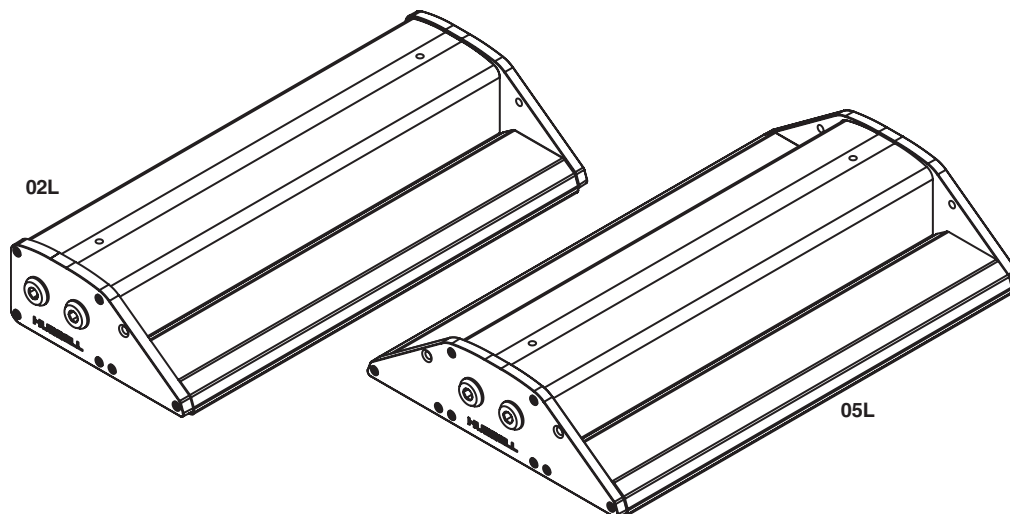
ORDERING INFORMATION

STD. CAT NO.	DELIVERED OUTPUT	POWER CONSUMPTION	TCLASS	T°C (DUST)	AMBIENT °C	WEIGHT
PRXB/02L/LE	2696 lm	16W	T5	85	-40 to +60	7.1kg
PRXB/05L/LE	5230 lm	35W	T5	85	-40 to +60	9.1kg
PRXB/02L/LE/EM	2696 lm	19W	T5	85	-25 to +60	7.6kg
PRXB/05L/LE/EM	5230 lm	38W	T5	85	-25 to +60	9.6kg

ACCESSORIES ORDER SEPARATELY	
	ORDER CODE
Pole mounting bracket assembly (38-42mm diameter poles)	SPOL4-100001
Pole mounting bracket assembly (58-62mm diameter poles)	SPOL4-100002
Pole mounting bracket assembly (58-62mm diameter poles)	SPOL4-100003
Hook type ceiling bracket assembly	SPR04-0005
Flush mounted wall bracket assembly	SPR04-0006
Ceiling bracket assembly	SPR04-0002
Standard wall mounting outreach bracket (use with SPOL4-100001)	NPR04-0008
Eyebolt mounting assembly*	SPR05-0005
Protecta 4ft adaptor bracket	SPR05-0006

*Only available for the 05L option.

OPTIONS - SUFFIX TO CATALOG NO.	
/M25	M25 cable entries
/LBE	Looping both sides [Non Emergency only]
/EL	Extra live termination facility (to match emergency circuit) [Non Emergency only, Not available with /SC]
/EMI	Internal battery pack [replace /EM with /EMI]
/NST	Non Self Test [Emergency version only]
/ASL	Asymmetric along length optic
/ASW	Asymmetric along width optic [05L version only]
/80	80 CRI LEDs
/3H	3 hour battery duration (02L = 25% output; 05L = 12.5% output) [Standard on ASW or ASL versions]
/4K	4000K (Neutral White) LED Strips
/SC	Screwed connection terminal block (up to 6mm ² conductors) [Non Emergency only]
/BNI	Batteries not included [Emergency version only]
/DM	DALI Dimmable driver
/M	Medium beam optic
/BP	Nickel plated brass plugs
/OD	Opal diffuser (max. 30% reduction in output)



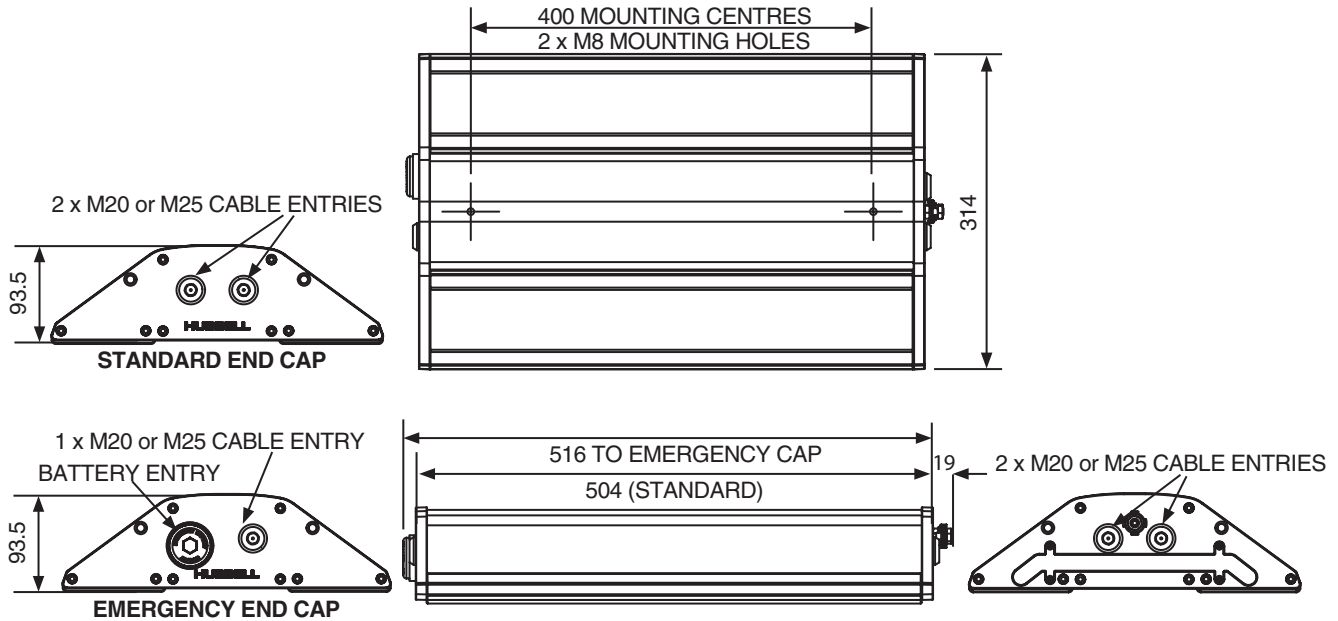


LIGHTING

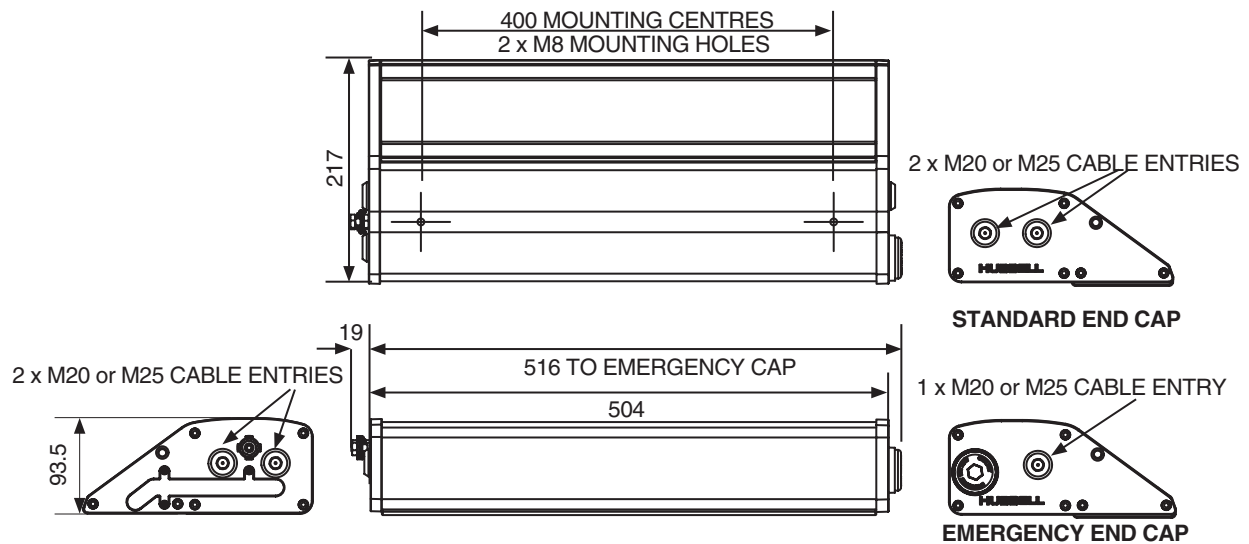
PROTECTA X Z1

DIMENSIONS

PROTECTA X - 05L



PROTECTA X - 02L





STARTERS TABLE OF CONTENTS



B7 Series
Prism Magnetic Motor Starters.....3

B7 Series
Catalog Logic4

B7AD Prism Combination Starter
Prism Combination Starters5

B7 Series
Overload heaters6

B7 Series
Dimensions7

B7 Series
B7AD0 Combination Starters.....8-9



B7MSN Series
Compact Manual NEMA Starters.....16-18



XMSW Series
Manual Line Starters..... 19-20



XSD/XSX/FXSD/FXSX Series
Manual Motor Starting Switches.....10-11

XSD/XSX/FXSD/FXSX Series
Heaters, Dimensions.....12



EXB70 IEC Magnetic Starter Series... 21-23



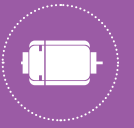
B7MS Series
Compact Manual IEC Starters.....13-15



STARTERS
SECTION S

STARTERS FOR HARSH & HAZARDOUS ENVIRONMENTS





Line Starter



Combination Starter

B70
Motor Starter

NEC / CEC Certifications

Class I, Groups B, C & D

Class I, Zone 1 IIB+H2 Gb

Class II, Groups E, F & G

Class III

Type 3, 4 & 4X

Ta=-25°C to +40°C

Ta=-50°C to +40°C



Files E83969

Certificate LR11716 - 51

FEATURES-SPECIFICATIONS

Features

- TYPE 4, 4X rated – providing protection from hose directed water and corrosion
- Universal mounting pan, pre-drilled to facilitate easy field installation of starters. Provision for grounding supplied as standard.
- More wiring room – meets latest NEC wire bend requirements
- Quick release, captivated cover bolts of 316 grade stainless steel
- Flange sealing gasket located to the inside of cover bolt – preventing water seepage into enclosure through bolt holes
- Hinged cover provided as standard for an extra measure of safety and convenience
- Breaker (MCP) handle can be padlocked in “ON” or “OFF” position
- Provisions provided for drain and breather plus conduit openings for power and control
- Reset button provided as standard
- Two control operator openings provided plugged as standard. Additional openings can be factory or field drilled.
- Copper-free (less than ¼ of 1% copper) enclosure
- Ductile mounting lugs

Materials

- **ENCLOSURE** – Copper-free aluminum
- **O-RING GASKET** – BUNA-N nitrile
- **COVER BOLTS** – 316 grade stainless steel
- **CB/MCP HANDLE** – Copper-free aluminum
- **RESET OPERATOR** – Thermoplastic polyester button molded onto stainless steel shaft. Aluminum shroud.
- **MOUNTING PAN** – Sheet aluminum
- **HINGE** – Aluminum with stainless steel pin
- **RESET SHROUD** – Black anodized

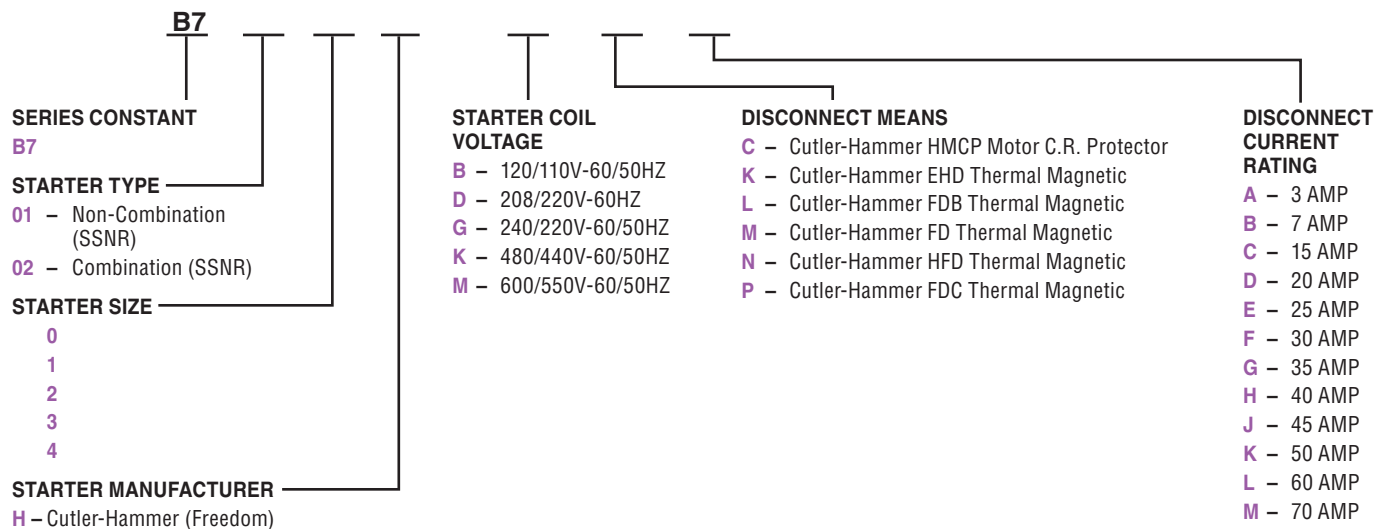
Electrical Rating

- Starters are 3 phase 50/60Hz
- 600VAC Single Speed Non-Reversing



STARTERS B7 SERIES

CATALOG LOGIC – B7 ENCLOSURES WITH CONTROLS



This Catalog Logic Chart is for reference only and is to be used for selection of special voltage and amperage requirements. Consult Factory since not all assemblies are available with complete list of options displayed.

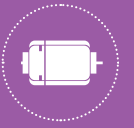
B7 MAGNETIC LINE STARTERS					
NEMA STARTER SIZE	MOTOR VOLTS	COIL VOLTS	MAX. HP	CATALOG NUMBER	ENCLOSURE ONLY NO INTERIORS
				CUTLER-HAMMER SERIES AN16	
0	SEP. CONTROL	120	—	B7010HB	B7011
0	230	240	3	B7010HG	
0	460	480	5	B7010HK	
0	575	600	5	B7010HM	
1	SEP. CONTROL	120	—	B7011HB	B7011
1	230	240	7-1/2	B7011HG	
1	460	480	10	B7011HK	
1	575	600	10	B7011HM	
2	SEP. CONTROL	120	—	B7012HB	B7012
2	230	240	15	B7012HG	
2	460	480	25	B7012HK	
2	575	600	25	B7012HM	
3	SEP. CONTROL	120	—	B7013HB	B7013
3	230	240	30	B7013HG	
3	460	480	50	B7013HK	
3	575	600	50	B7013HM	
4	SEP. CONTROL	120	—	B7014HB	B7014
4	230	240	50	B7014HG	
4	460	480	100	B7014HK	
4	575	600	100	B7014HM	



Line Starter

Magnetic Line Starters - 3 Pole 3Phase, Single Speed Non Reversing 600VAC 60Hz - Overload Heaters Required

- See catalog logic page for additional coil voltages
- Control transformers for use in combination starters only.
- Control transformers will not fit in the starter only below.
- Supplied without overload heaters unless heater value is specified.



Combination Starter

B7 COMBINATION MAGNETIC LINE STARTERS

NEMA STARTER SIZE	MOTOR VOLTS	COIL VOLTS	MAX. HP	DISCONNECT TRIP AMPS	CATALOG NUMBER	ENCLOSURE ONLY NO INTERIORS
					CUTLER-HAMMER SERIES AN16	
0	SEP. CONTROL	120	—	3	B7020HBCA	B7021
0	SEP. CONTROL	120	—	7	B7020HBCB	
0	SEP. CONTROL	120	—	15	B7020HBCC	
0	230	240	1	7	B7020HGCB	
0	230	240	3	15	B7020HGCC	
0	460	480	1	3	B7020HKCA	
0	460	480	2	7	B7020HKCB	
0	460	480	5	15	B7020HKCC	
0	575	600	1	3	B7020HMCA	
0	575	600	2	7	B7020HMCB	
0	575	600	5	15	B7020HMC	
1	SEP. CONTROL	120	—	15	B7021HBC	
1	SEP. CONTROL	120	—	30	B7021HBCF	
1	230	240	7-1/2	30	B7021HGCF	
1	460	480	10	30	B7021HKCF	
1	575	600	10	30	B7021HMCF	
2	SEP. CONTROL	120	—	50	B7022HBC	B7022
2	SEP. CONTROL	120	—	70	B7022HBCM	
2	230	240	15	50	B7022HGCK	
2	230	240	15	70	B7022HGCM	
2	460	480	25	50	B7022HKCK	
2	575	600	25	50	B7022HMCK	
3	SEP. CONTROL	120	—	100	B7023HBCQ	B7023
3	230	240	30	100	B7023HGQ	
3	460	480	50	100	B7023HKQ	
3	575	600	50	100	B7023HMCQ	
4	SEP. CONTROL	120	—	150	B7024HBCT	B7024
4	230	240	50	150	B7024HGCT	
4	460	480	100	150	B7024HKCT	
4	575	600	100	150	B7024HMCT	
5	SEP. CONTROL	120	—	250	B7025CBCMCPJ250	See chart below
5	SEP. CONTROL	120	—	400	B7025CBCMCPK400	
5	230	240	75	250	B7025CGCMCPJ250	
5	230	240	100	400	B7025CGCMCPK400	
5	460	480	150	250	B7025CKCMCPJ250	
5	460	480	200	400	B7025CKCMCPK400	
5	575	600	150	250	B7025CMCMCPJ250	
5	575	600	200	400	B7025CMCMCPK400	

Combination Starters - 3 Pole 3Phase, Single Speed Non Reversing 600VAC 60Hz - Overload Heaters Required

- See catalog logic page for additional coil voltages
- Control transformers for use in combination starters only.
- Supplied without overload heaters unless heater value is specified.
- Combination starter enclosures have sufficient space for factory or field mounting of a control transformer.
- Separate Control=Coil control voltage from a second supply source or from an internal control transformer



STARTERS B7 SERIES

SIZE 5 COMBINATION MOTOR STARTER ENCLOSURE ONLY					
STARTER MANUFACTURER	STARTER TYPE	CIRCUIT BREAKER FRAME			ENCLOSURE CAT. NUMBER
		C-H	GE	SQ-D	
Allen Bradley	Series 509	J	F-225	K	B7025A2
Allen Bradley	Series 509	K	J-600	L	B7025A4
Cutler Hammer	Freedom-AN16	J	F-225	K	B7025C2
Cutler Hammer	Freedom-AN16	K	J-600	L	B7025C4
General Electric	Series 306	J	F-225	K	B7025G2
General Electric	Series 306	K	J-600	L	B7025G4
Square D	Series 8536	J	F-225	K	B7025S2
Square D	Series 8536	K	J-600	L	B7025S4
Eaton	Freedom-AN19	J	F-225	K	B7025W2
Eaton	Freedom-AN19	K	J-600	L	B7025W4

OVERLOAD HEATERS

Overload heaters are not supplied as part of the starter assemblies and are to be ordered as separate items by catalog number and priced accordingly.

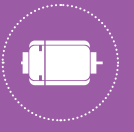
Heaters should be selected on the basis of the actual full-load current and service factor as shown on the motor nameplate or in the manufacturer's published literature.

When motor and overload relay are in the same ambient and the service factor of the motor is 1.15 to 1.25, select heaters from the heater selection chart. If the service factor of the motor is 1.0, or there is no service factor shown, or a maximum of 115% protection is desired, select one size smaller heater than indicated.

When motor and overload relay are in different ambients, select heaters from the chart using adjusted motor currents as follows: decrease rated motor current 1% for each °C motor ambient exceeds controller ambient; increase rated motor current 1% for each °C controller ambient exceeds motor ambient.

FOR SIZES 0-1				
KH2001B-3	.254	.306	.359	.411
KH2002B-3	.375	.452	.530	.607
KH2003B-3	.560	.676	.791	.907
KH2004B-3	.814	.983	1.15	1.32
KH2005B-3	1.20	1.45	1.71	1.96
KH2006B-3	1.79	2.16	2.53	2.90
KH2007B-3	2.15	2.60	3.04	3.49
KH2008B-3	3.23	3.90	4.56	5.23
KH2009B-3	4.55	5.50	6.45	7.40
KH2010B-3	6.75	8.17	9.58	11.0
KH2011B-3	9.14	10.8	12.4	14.0
KH2012B-3	14.0	16.9	19.9	22.8
KH2013B-3	18.7	22.7	26.7	30.7
KH2014B-3	23.5	28.5	33.5	38.5
FOR SIZE 2				
KH2015B-3	29.0	34.0	39.1	44.1
KH2016B-3	39.6	45.5	51.5	57.4
KH2017B-3	53.9	60.9	67.9	74.9
FOR SIZES 3-4				
KH2018-3	18.0	20.2	22.3	24.5
KH2019-3	24.6	27.6	30.5	33.4
KH2020-3	33.5	37.5	41.5	45.6
KH2021-3	45.7	51.2	56.7	62.1
KH2022-3	62.2	69.7	77.1	84.6
KH2023-3	84.7	95.0	105.0	115.0
KH2024-3	106.0	118.0	131.0	144.0
FOR SIZE 5				
KH2004B-3	49	59	69	79
KH2005B-3	72	87	103	118
KH2006B-3	107	130	152	174
KH2007B-3	129	156	182	209
KH2008B-3	194	234	274	—

OVERLOAD HEATERS/NON-REVERSING



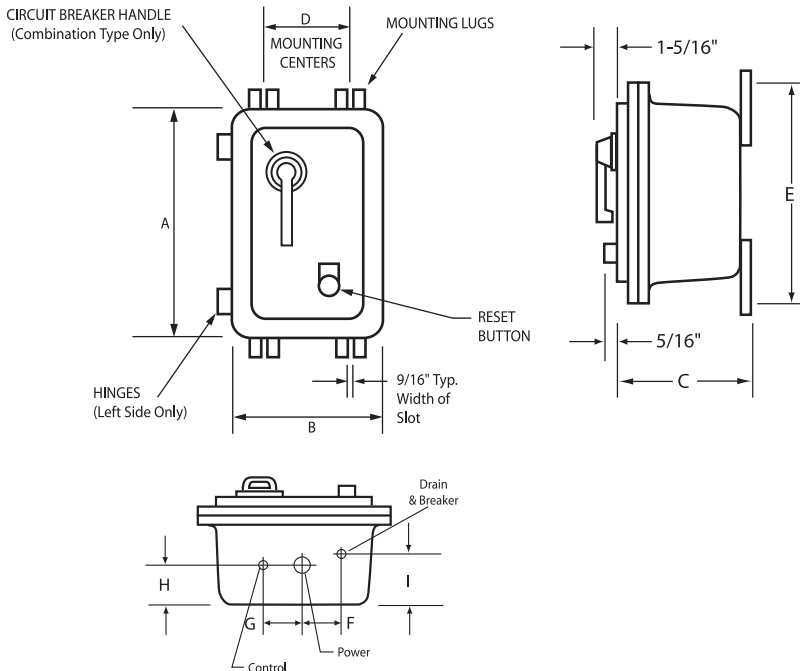
MOTOR STARTERS DIMENSIONS

B7 DIMENSIONS															
CATALOG NUMBER	NEMA SIZE	TYPE	DIMENSIONS IN (MM)									EST. ENCLOSURE WEIGH LBS. (KG)	CONDUIT OPENINGS TOP/BOTTOM (NPT) ①		
			A	B	C	D	E	F	G	H	I		POWER	CONTROL	DRAIN BREATHER
B7011	0,1	Starter Only	18" (457)	11" (280)	9-1/8" (232)	3-5/8" (92)	16-3/8" (416)	2-1/8" (54)	2-3/8" (60)	2-11/16" (68)	3-7/16" (87)	46 (21)	1-1/2"	3/4"	1/2"
B7012	2	Starter Only	20" (508)	12-1/2" (317)	9-1/8" (232)	5" (127)	18-3/8" (467)	2-1/2" (63)	2-1/2" (63)	2-11/16" (68)	3-3/16" (81)	56 (25)	1-1/2"	3/4"	1/2"
B7013	3	Starter Only	26-1/4" (667)	12-1/2" (317)	10-3/4" (276)	5" (127)	24-5/8" (625)	2-1/2" (63)	2-3/4" (70)	4-1/16" (103)	5-1/2" (140)	80 (36)	2"	1"	1/2"
B7014	4	Starter Only	34-1/4" (870)	16-1/2" (419)	11-1/2" (292)	9" (229)	32-5/8" (830)	3-3/4" (95)	4" (102)	4-7/16" (113)	6" (152)	155 (70)	3"	1"	1/2"
B7021	0,1	Combination Starter	23" (584)	14-1/2" (368)	9-1/8" (232)	7" (178)	21-3/8" (543)	2-1/8" (54)	2-1/2" (64)	2-11/16" (68)	3-7/16" (87)	78 (35)	1-1/2"	3/4"	1/2"
B7022	2	Combination Starter	25-1/2" (648)	14-1/2" (368)	9-1/8" (232)	7" (178)	23-7/8" (606)	2-1/8" (54)	2-1/2" (64)	2-11/16" (68)	3-7/16" (87)	88 (40)	1-1/2"	3/4"	1/2"
B7023	3	Combination Starter	27-1/4" (692)	17-7/8" (454)	11" (280)	10-3/8" (263)	25-5/8" (651)	3-1/2" (89)	3-1/2" (89)	4-3/16" (106)	5-1/2" (140)	143 (65)	2"	1"	1/2"
B7024	4	Combination Starter	34-1/4" (870)	21-1/2" (546)	11-7/8" (302)	14" (356)	32-5/8" (829)	4-3/4" (121)	5" (127)	4-9/16" (116)	6-3/16" (157)	235 (107)	3"	1"	1/2"

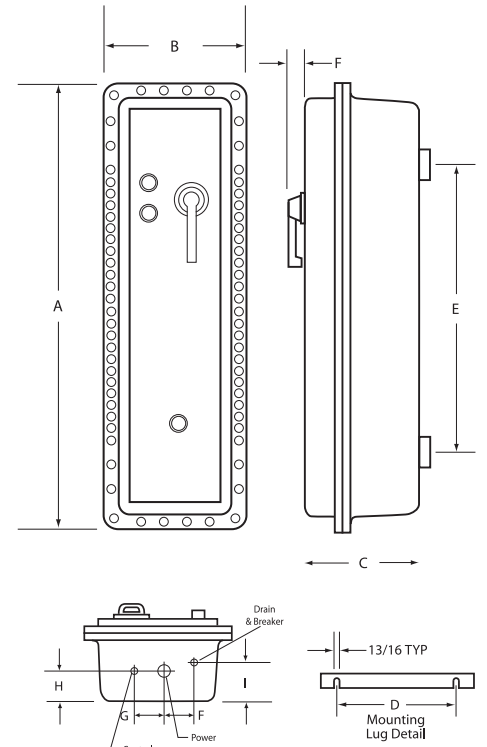
① 1/2" conduit openings may be used for drain and/or breather installation. Smaller conduit openings may be used by utilizing reducing bushings. Custom conduit sizes and locations are available upon request.

DIMENSIONS FOR SIZE 5 COMBINATION STARTER													
DIMENSIONS IN (MM)										CONDUIT TOP & BTM. (NPT)			ENCL. WT. LBS (KG)
A	B	C	D	E	F	G	H	I	J	K	L	M	
62-1/4" (1581)	20-1/4" (514)	15" (381)	18-1/2" (470)	43-1/2" (1105)	2-5/8" (67)	3-1/8" (79)	5-3/8" (137)	7-3/8" (187)	3-1/2" (89)	4" (102)	1/2" (13)	1" (25)	540 (245)

Dimensions B7 Size 0 Thru 4



Dimensions B7 Size 5





STARTERS
B7 SERIES



B7AD0 Combination Starter

B70

Motor Starter

NEC / CEC Certifications

Class I, Groups B, C & D

Class I, Zone 1 IIB+H2 Gb

Class II, Groups E, F & G

Class III

Type 3, 4 & 4X

Ta=-25°C to +40°C

Ta=-50°C to +40°C



Files E83969

Certificate LR11716 - 51

FEATURES-SPECIFICATIONS

Eaton Freedom AN19 Starters with C440 Electronic Overload Relays

Features AN19 Starter

- Solid State Overload Relays
- Brownout Protection
- Communications and user interface capabilities
- Overload Heaters not required
- Phase loss and a selectable (On/Off) phase unbalance protection
- Selectable automatic/manual reset
- Selectable Trip Class (10A, 10, 20, 30)
- Class II ground-fault protection – option add “GF” at end of catalog number
- Heaters are not required with the AN19 Starter. The Overload Module has trip current settings via DIP Switch between the amperage range shown.
- All AN19 Starters Coils are wired for separate control and supplied with 110V/50Hz - 120V/60Hz as standard.

Features Enclosure

- TYPE 4, 4X rated – providing protection from hose directed water and corrosion
- Mounting pan, pre-drilled to facilitate easy field installation of starters. Provision for grounding supplied as standard.

- More wiring room – meets latest NEC wire bend requirements
- Quick release, captivated cover bolts of 316 grade stainless steel
- Flange sealing gasket located to the inside of cover bolt – preventing water see page into enclosure through bolt holes
- Hinged cover provided as standard for an extra measure of safety and convenience
- Breaker (MCP) handle can be padlocked in “ON” or “OFF” position
- Provisions provided for drain and breather plus conduit openings for power and control
- Field replaceable reset button provided as standard with gold contact blocks
- Two control operator openings provided plugged as standard. Additional openings can be factory or field drilled
- Copper-free (less than ¼ of 1% copper) enclosure
- Ductile mounting lugs
- Select from B7 Modification Chart
- Transformers are multi-tap
 - » Size 0 50VA
 - » Size 1-2 100VA
 - » Size 3 150VA
 - » Size 4-5 200VA
- AN19 Starters Auxiliary Contacts available, B7HAC

Materials

- **ENCLOSURE** – Copper-free aluminum
- **O-RING GASKET** – BUNA-N nitrile
- **COVER BOLTS** – 316 grade stainless steel
- **MCCB/MCP HANDLE** – Copper-free aluminum
- **RESET OPERATOR** – Thermoplastic polyester polyester button molded onto stainless steel shaft. Aluminum shroud.
- **MOUNTING PAN** – Sheet aluminum
- **HINGE** – Aluminum with stainless steel pin
- **RESET SHROUD** – Black anodized

ELECTRICAL RATING

- Starters are 3 phase 50/60Hz 600VAC Single Speed Non-Reversing



B7AD COMBINATION STARTER

NEMA STARTER SIZE	MOTOR VOLTS	MAXIMUM HP	COIL VOLTS/ HZ	MCCB OR MCP AMP TRIP	CATALOG NUMBER			
					WITH MOTOR PROTECTOR AND STARTER	*ADD OLR CODE		ENCLOSURE ONLY
						OLR CODE	FLA RANGE	
0	230	3	110/50 120/60	3	B7AD020H6CA* B7AD020H6CB* B7AD020H6CC*	-1P6	0.33-1.62A	B7AD021
	460	5		7		-005	1.0-5.0A	
	575	5		15		-020	4.0-20A	
1	230	7-1/2	110/50 120/60	30	B7AD021H6CF*	-005	1.0-5.0A	B7AD021
	460	10				-020	4.0-20A	
	575	10				-045	0.9-45A	
2	230	15	110/50 120/60	50	B7AD022H6CK*	-20	4.0-20A	B7AD022
	460	25				-045	0.9-45A	
	575	25						
3	230	30	110/50 120/60	100	B7AD023H6CQ*	-100	20-100A	B7AD023
	460	50						
	575	50						
4	230	50	110/50 120/60	150	B7AD024H6CT*	-140	28-140A	B7AD024
	460	100						
	575	100						
5	230	100	110/50 120/60	400	B7AD025H6K400*	-300	60-300A	B7AD025K
	460	200						
	575	200						



STARTERS

XSD/XSX/FXSD/FXSX SERIES



XSD, XSX, Series
Non Factory Sealed



FXSD, FXSX Series
Factory Sealed

XS/FXS

Motor Starter

NEC / CEC Certifications

Class I, Groups C & D

Class I, Zone 1 IIB+H2 Gb

Class II, Groups E, F & G

Class III

Type 3 FXS Series Only

Ta=-25°C to +40°C (UL/FM)

Ta=-50°C to +40°C(CSA)

Files E83969

Certificate LR11714



Files 25219

FEATURES-SPECIFICATIONS

Features

- FXSX-FXSD Series require no external seals (factory sealed) and are TYPE 3 (rain-tight) rated
- Enclosures are cast copper-free aluminum alloy
- Operating shaft is stainless steel
- Multiple gang assemblies available in combination with pilot lights, pushbuttons and switches on request
- Ground flange joint between bolted cover and box provide required flame path
- Provisions for padlocking switch in either "ON" or "OFF" position is standard

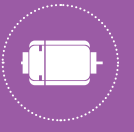
Materials

- Impact Resistant Non-Metallic PA6 Glass Reinforced Antistatic Material with f1 UV Protection against the most severe exposure to sunlight with a Flame Retardant rating of V-0.
- Silicone gasketing on all enclosures and operators throughout with Thermal Overload Relay.
- Brass gland plates available for metric size applications of plastic enclosures.

Electrical Rating

- Push button stations, selector switches 600 VAC max. heavy duty.
- Pilot Light Electrical Ratings: 250 VAC max.

STARTERS XSD/XSX/FXSD/FXSX SERIES



XSD/FXSD SERIES WITH OVERLOAD PROTECTION

Non-Factory Sealed:

Square D, Class 2510, Type F
 1-Pole, 1HP, 115-230 VAC
 2-Pole, 1HP, 115-230 VAC
 3/4 HP, 115-230 VDC

Factory Sealed:

Square D, Class 2510, Type F
 1-Pole, 1HP, 115-230 VAC
 2-Pole, 1HP, 115-230 VAC
 3/4 HP, 115-230 VDC

XSD SINGLE GANG			
CATALOG NUMBER		HUB STYLE	HUB SIZE
1-POLE SINGLE PHASE	2-POLE SINGLE PHASE		
XSD-11	XSD-12	Dead end	1/2"
XSD-21	XSD-22		3/4"
XSD-41	XSD-42	Feed thru	1/2"
XSD-51	XSD-52		3/4"
XSD-01	XSD-02	Cover and Switch assembly	

FXSD SINGLE GANG			
CATALOG NUMBER		HUB STYLE	HUB SIZE
1-POLE SINGLE PHASE	2-POLE SINGLE PHASE		
FXSD11	FXSD12	Dead end	1/2"
FXSD21	FXSD22		3/4"
FXSD41	FXSD42	Feed thru	1/2"
FXSD51	FXSD52		3/4"
FXSD01	FXSD02	Cover and Switch assembly	

Overload heaters are not supplied as part of the assembly. Heaters have to be ordered separately.

XSX/FXSX SERIES WITHOUT OVERLOAD PROTECTION

Non-Factory Sealed:

Square D, Class 2510, Type K
 2-Pole, 2 HP, 115 VAC
 2 HP, 200-230 VAC
 3 HP, 460-575 VAC
 3-Pole, 2 HP, 115 VAC
 7-1/2 HP, 200-230 VAC
 10 HP, 460-575 VAC

Factory Sealed:

Square D, Class 2510, Type K
 2-Pole, 2 HP, 115 VAC
 2 HP, 200-230 VAC
 3 HP, 460-575 VAC
 3-Pole, 2 HP, 115 VAC
 3 HP, 200-230 VAC
 5 HP, 460-575 VAC

XSX SINGLE GANG ²			
CATALOG NUMBER		HUB STYLE	HUB SIZE
2-POLE 600V 1-PHASE	3-POLE 600V 3-PHASE		
XSX-12	XSX-13	Dead end	1/2"
XSX-22	XSX-23		3/4"
XSX-42	XSX-43	Feed thru	1/2"
XSX-52	XSX-53		3/4"
XSX-2	XSX-3	Cover and Switch assembly	

FXSX SINGLE GANG			
CATALOG NUMBER		HUB STYLE	HUB SIZE
2-POLE 600V 1-PHASE	3-POLE 600V 3-PHASE		
FXSX12	FXSX13	Dead end	1/2"
FXSX22	FXSX23		3/4"
FXSX42	FXSX43	Feed thru	1/2"
FXSX52	FXSX53		3/4"
FXSX02	FXSX03	Cover and Switch assembly	

² © FM and CSA only



STARTERS

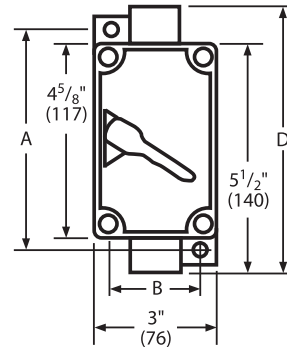
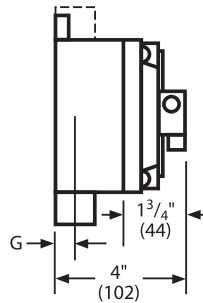
XSD/XSX/FXSD/FXSX SERIES

XSD/XSX/FXSD/FXSX SERIES

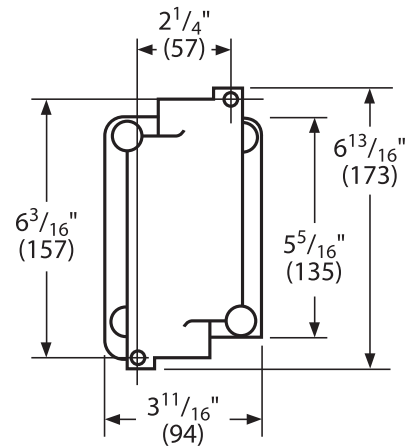
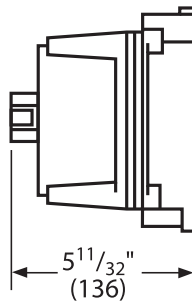
HEATER TABLE		
CATALOG NUMBER	FULL-LOAD MOTOR CURRENT	SQUARE D HEATER CATALOG NUMBER
YOSD-A.49	0.41-0.44	A.49
YOSD-A.54	0.45-0.49	A.54
YOSD-A.59	0.50-0.53	A.59
YOSD-A.65	0.54-0.58	A.65
YOSD-A.71	0.59-0.65	A.71
YOSD-A.78	0.66-0.71	A.78
YOSD-A.86	0.72-0.78	A.86
YOSD-A.95	0.79-0.85	A.95
YOSD-A1.02	0.86-0.96	A1.02
YOSD-A1.16	0.97-1.04	A1.16
YOSD-A1.25	1.05-1.16	A1.25
YOSD-A1.39	1.17-1.29	A1.39
YOSD-A1.54	1.30-1.37	A1.54
YOSD-A1.63	1.38-1.47	A1.63
YOSD-A1.75	1.48-1.56	A1.75
YOSD-A1.86	1.57-1.65	A1.86
YOSD-A1.99	1.66-1.79	A1.99
YOSD-A2.15	1.80-1.95	A2.15
YOSD-A2.31	1.96-2.15	A2.31
YOSD-A2.57	2.16-2.38	A2.57
YOSD-A2.81	2.39-2.75	A2.81
YOSD-A3.61	2.76-2.84	A3.61
YOSD-A3.95	2.85-3.06	A3.95
YOSD-A4.32	3.07-3.45	A4.32
YOSD-A4.79	3.46-3.70	A4.79
YOSD-A5.30	3.71-4.07	A5.30
YOSD-A5.78	4.08-4.32	A5.78
YOSD-A6.20	4.33-4.90	A6.20
YOSD-A6.99	4.91-5.35	A6.99
YOSD-A7.65	5.36-5.85	A7.65
YOSD-A8.38	5.86-6.41	A8.38
YOSD-A9.25	6.42-6.79	A9.25
YOSD-A9.85	6.80-7.57	A9.85
YOSD-A11.0	7.58-8.15	A11.0
YOSD-A11.9	8.16-8.98	A11.9
YOSD-A13.2	8.99-9.67	A13.2
YOSD-A14.1	9.68-9.95	A14.1
YOSD-A14.8	9.96-10.8	A14.8
YOSD-A16.2	10.9-12.1	A16.2
YOSD-A17.9	12.2-13.1	A17.9
YOSD-A19.8	13.2-13.9	A19.8
YOSD-A21.3	14.0-15.0	A21.3
YOSD-A25.2	15.1-16.0	A25.2

Overload heaters are not supplied as part of the assembly. Heaters have to be ordered separately.

XSD/XSX NON-FACTORY SEALED DIMENSIONS					
BOX STYLE	HUB SIZE	A	B	D	G
Single gang dead-end	1/2"	5-1/4"(133)	2-1/4"(57)	—	11/16"(17)
	3/4"	5-1/4"(133)	2-1/4"(57)	—	11/16"(17)
	1"	5-3/8"(136)	2-3/8"(60)	—	7/8"(22)
Single gang feed-thru	1/2"	5-1/4"(133)	2-1/4"(57)	6"(152)	11/16"(17)
	3/4"	5-1/4"(133)	2-1/4"(57)	6"(152)	11/16"(17)
	1"	5-3/8"(136)	2-3/8"(60)	6"(152)	7/8"(22)



Factory Sealed (FXSD/FXSX)





B7MS1P
 Push Button Style



B7MS2R
 Rotary Style

B7MS
 Motor Starter

NEC / CEC Certifications

Class I, Groups B, C & D

Class I, Zone 1 IIB+H2 Gb

Class II, Groups E, F & G

Class III

Type 3, 4, 4X

Ta=-25°C to +40°C (CSAus)

Ta=-50°C to +40°C (cCSA)



Certificate LR11714

FEATURES-SPECIFICATIONS

Features

- Compact size enclosures provide application flexibility with cost savings over industry standard sizes
- TYPE 4, 4X rated – providing protection from hose directed water and corrosion
- Pre-drilled to facilitate easy field installation of starters
- 2 operating styles, rotary or push button, including lock-out provision.
- Provisions for drain and breather
- Bolt on ductile mounting lugs
- Two NPT conduit openings provided as standard, with custom openings on request
- When ordered with starters, ABB or Square D supplied.

Materials

- Enclosures: Copper-free aluminum (less than 1/10 of 1% copper content)
- Cover Bolts: 316 Stainless Steel
- O-ring Gasket: Silicone
- Finish: Grey Powder Polyester painted exterior, electrostatically applied

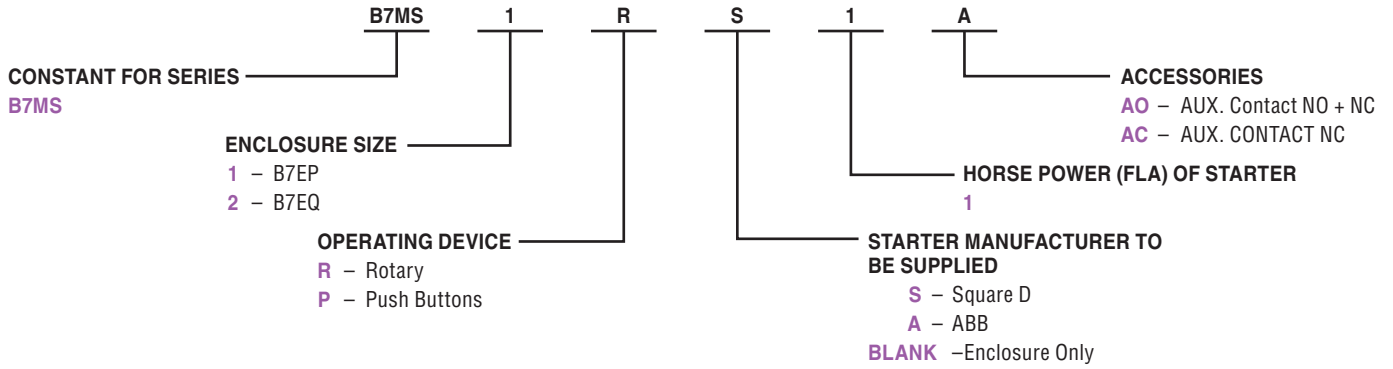
Electrical Rating

- Starters rated 600V, 3 phase up to 50HP

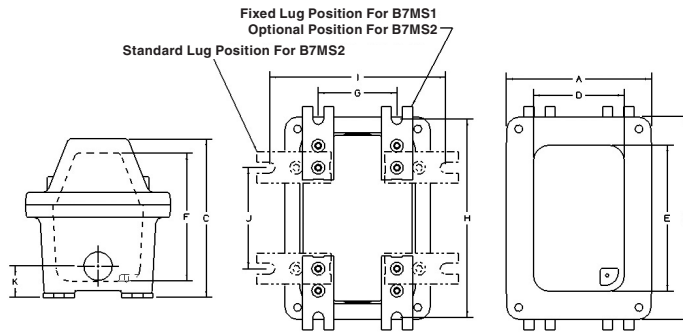


STARTERS B7MS SERIES

CATALOG LOGIC

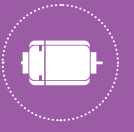


DIMENSIONS



ENCLOSURE	OUTSIDE BOX DIMENSIONS			NOMINAL INSIDE BOX			MOUNTING DIMENSIONS					CONDUIT SIZE	WEIGHT LBS(KG)
	A	B	C	D	E	F	G	H	I	J	K		
B7MS1	5-3/4 (146)	8-1/16 (205)	6-5/16 (160)	3-5/8 (92)	5-13/16 (148)	5-1/16 (129)	3-1/8 (79)	8-1/8 (206)	—	—	1-1/4 (32)	1	11.6 (5.3)
B7MS2	8-1/8 (79)	13-1/16 (345)	7-13/16 (198)	4-1/4 (108)	9-13/16 (249)	6-5/16 (160)	2-1/2 (63)	11-3/8 (289)	6-3/8 (162)	7-1/2 (191)	1-13/16 (46)	1-1/2	23.7 (10.8)

Dimension are shown in inches (mm)



COMPACT MANUAL IEC STARTERS

B7MS – ROTARY STYLE WITH ABB MS132 & MS450 SERIES								
	CATALOG NUMBER	ADJUSTMENT RANGE FLA	SINGLE PHASE HP		THREE PHASE HP			
			120V	230V	200V-208V	230V	480V	600V
ENCLOSURE WITHOUT STARTER	B7MS1RA-1	0.63 - 1.0					0.5	0.5
	B7MS1RA-2	1.0 - 1.6		0.1			0.75	0.75
	B7MS1RA-3	1.6 - 2.5		0.167		0.5	1	1.5
	B7MS1RA-4	2.5 - 4.0	0.125	0.33		1	2	3
	B7MS1RA-5	4.0 - 6.3	0.25	0.5		1.5	3	5
	B7MS1RA-6	6.3 - 9.0	0.33	1		2.5	5	7.5
	B7MS1RA-7	9.0 - 12.5	0.5	2		3	7.5	10
	B7MS1RA-8	12.5 - 16.0	1	2.5		5	10	10
	B7MS1RA-9	16.0 - 20.0	1.5	3		5	10	15
	B7MS1RA-10	20.0 - 25.0	2	3		7.5	15	20
ENCLOSURE WITHOUT STARTER	B7MS2RA-12	11 - 16	1	3	5	5	10	15
	B7MS2RA-13	14 - 20	1.5	3	5	7.5	15	20
	B7MS2RA-14	18 - 25	2	5	7.5	10	20	25
	B7MS2RA-15	22 - 32	3	5	10	10	25	30
	B7MS2RA-16	28 - 40	3	7.5	15	15	30	40
	B7MS2RA-17	36 - 45	5	7.5	15	15	30	40
	B7MS2RA-18	40 - 50	5	10	15	20	40	50
	B7MS2RA FOR USE WITH ABB ONLY							
B7MS – PUSH BUTTON STYLE SQUARE D GV2 SERIES								
ENCLOSURE WITHOUT STARTER	B7MS1PS-1	0.63 - 1.0					0.5	0.5
	B7MS1PS-2	1.0 - 1.6		0.1			0.75	1
	B7MS1PS-3	1.6 - 2.5		0.167		0.5	0.5	1
	B7MS1PS-4	2.5 - 4.0	0.125	0.33	0.75	1	2	3
	B7MS1PS-5	4.0 - 6.3	0.25	0.5	1.5	1.5	3	5
	B7MS1PS-6	6.0 - 10.0	0.5	1.5	2	3	5	7.5
	B7MS1PS-7	9.0 - 14.0	0.75	2	3	3	10	10
	B7MS1PS-8	13.0 - 18.0	1	3	5	5	10	15
	B7MS1PS-9	17.0 - 23.0	1.5	3	5	7.5	15	20
	B7MS1PS-10	20.0 - 25.0	2	3	5	7.5	15	20
	B7MS1PS-11	24.0 - 32.0	2	5	10	10	20	30
B7MS1PS* FOR USE WITH ABB ONLY								
B7MS – ROTARY STYLE WITH SQUARE D GV2 & GV3 SERIES								
ENCLOSURE WITHOUT STARTER	B7MS1RS-1	0.63 - 1.0					0.5	0.5
	B7MS1RS-2	1.0 - 1.6		0.1			0.75	1
	B7MS1RS-3	1.6 - 2.5		0.167		0.5	0.5	1
	B7MS1RS-4	2.5 - 4.0	0.125	0.33	0.75	1	2	3
	B7MS1RS-5	4.0 - 6.3	0.25	0.5	1.5	1.5	3	5
	B7MS1RS-6	6.0 - 10.0	0.5	1.5	2	3	5	7.5
	B7MS1RS-7	9.0 - 14.0	0.75	2	3	3	10	10
	B7MS1RS-8	13.0 - 18.0	1	3	5	5	10	15
	B7MS1RS-9	17.0 - 23.0	1.5	3	5	7.5	15	20
	B7MS1RS-10	20.0 - 25.0	2	3	5	7.5	15	20
	B7MS2RS-11	24.0 - 32.0	2	5	10	10	20	30
ENCLOSURE WITHOUT STARTER	B7MS2RS-12	9.0 - 13.0	1	2	3	3	7.5	10
	B7MS2RS-13	12.0 - 18.0	1	3	5	5	10	15
	B7MS2RS-14	17.0 - 25.0	2	3	7.5	7.5	15	20
	B7MS2RS-15	23.0 - 32.0	2	5	10	10	20	30
	B7MS2RS-16	30.0 - 40.0	3	5	10	10	30	30
	B7MS2RS-17	37.0 - 50.0	3	7.5	15	15	40	40
	B7MS2RS-18	48.0 - 65.0	5	10	20	20	50	50
B7MS2RS FOR USE WITH ABB ONLY								

B7MS1R – For use with ABB MS116, MS325, MS132 Automation Direct BM3 Cutler-Hammer XTPR Moeller PKZMO Seimens 3RV Sprecher + Schuh KTA7 SQ D Telemecanique GV2P WEG MPW25

B7MS2R – For use with Automation Direct BM3 SQ D Telemecanique GV3P

B7MS2RA – For use with ABB MS450

B7MS1P – For use with Cutler-Hammer XTPB Moeller PKZMO1 SQ D Telemecanique GV2ME WEG MPW25

B7MS2P – For use with Advance Control MMS25

*** B7MS1PRW** – (enclosure without starter) For use with Allen-Bradley 140 Sorecher + Schuh KT4



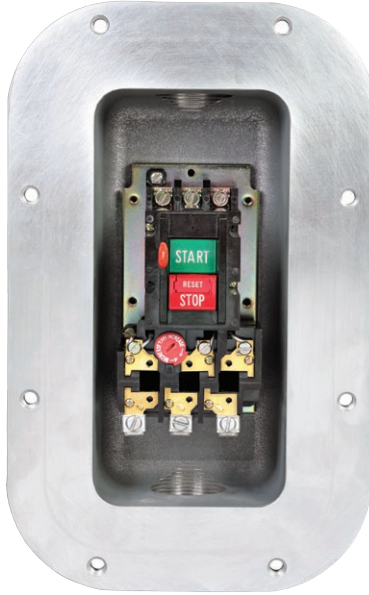
STARTERS

B7MSN SERIES

COMPACT SERIES NEMA STARTERS



B7MSN2P



Internal View

B7MSN

Motor Starter

NEC / CEC Certifications

Class I, Groups B, C & D

Class I, Zone 1 IIB+H2 Gb

Class II, Groups E, F & G

Class III

Type 3, 4, 4X

Ta=-25°C to +40°C (CSAus)

Ta=-50°C to +40°C (cCSA)



Certificate LR11714

FEATURES-SPECIFICATIONS

Features

- Allen-Bradley 609 Series
- Cutler-Hammer B100M Series
- GE CR106 Series
- Square D 2510M Series
- Compact size enclosures provide application flexibility with cost savings over industry standard sizes
- TYPE 4, 4X rated – providing protection from hose directed water and corrosion
- Pre-drilled to facilitate easy field installation of starters
- Large double green/red start-stop push buttons
- Can be pad locked in “OFF” position
- Provisions for drain and breather
- Bolt on ductile mounting lugs
- Two 1-½” NPT conduit openings provided as standard, with custom openings on request

Materials

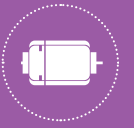
- Enclosures: Copper-free aluminum (less than ¼ of 1% copper content)
- Cover Bolts: 316 Stainless Steel
- O-ring Gasket: Silicone
- Finish: Grey Powder Polyester painted

Electrical Rating

NEMA starter sizes 0, 1, 1-½ FVNR;
 2 pole single phase = 230 VAC
 3 pole three phase = 600 VAC
 2 pole VDC = 230 VDC

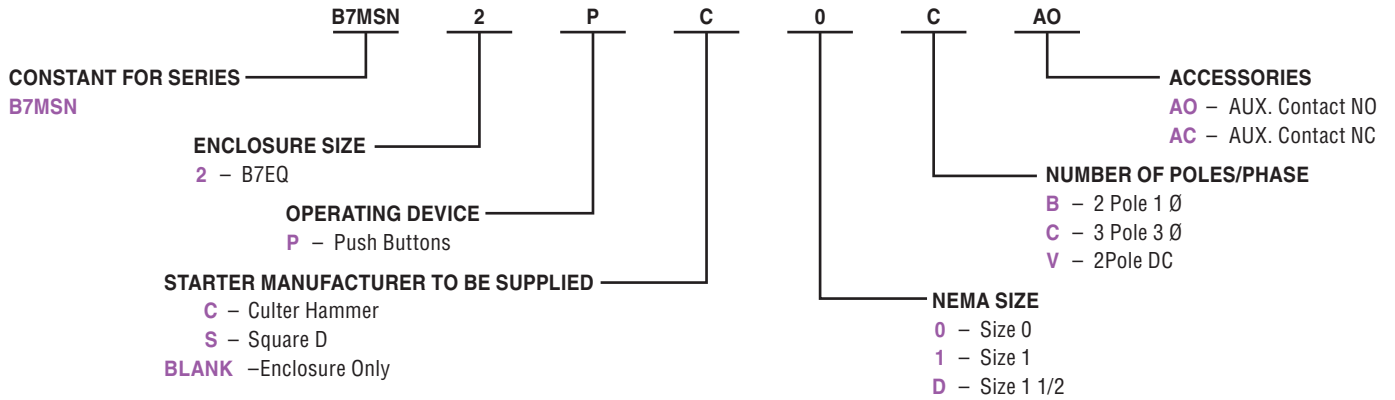
Overload Heaters

Heaters are not included, see next page.



COMPACT SERIES NEMA STARTERS

CATALOG LOGIC



CATALOG NUMBER			SIZE/ PHASE	SINGLE PHASE HP		THREE PHASE				DC HP	
ENCLOSURE	W/CUTLER-HAMMER	W/ SQUARE D		120 VAC	230 VAC	208 VAC	230 VAC	480 VAC	600 VAC	115 DC	230 VDC
B7MSN2P	B7MSN2PC0B	B7MSN2PS0B	M-0 2P	1	2					1 CH	1.5 CH
	B7MSN2PC1B	B7MSN2PS1B	M-1 2P	2	3					1.5 CH	2 CH
		B7MSN2PSDB	M-1P 2P	3	5						
	B7MSN2PC0C	B7MSN2PS0C	M-0 3P			3	3	5	5		
	B7MSN2PC1C	B7MSN2PS1C	M-1 3P			7.5	7.5	10	10		
		B7MSN2PS0V	M-0 2P VDC							1	1.5
		B7MSN2PS1V	M-1 2P VDC							1.5	2



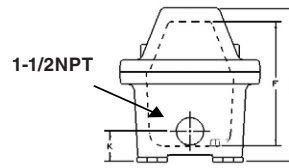
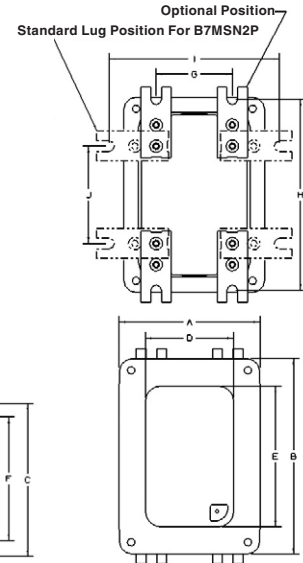
STARTERS

B7MSN SERIES

HEATERS, CATALOG LOGIC, DIMENSIONS

B7MSN HEATER SELECTION SQUARE D 2510M ONLY		
MOTOR FULL LOAD AMPS @ 40° C		
SIZE 0		
CATALOG NUMBER	SINGLE PHASE	THREE PHASE
KB044	0.33 - 0.36	0.29 - 0.32
KB051	0.37 - 0.40	0.33 - 0.36
KB057	0.41 - 0.45	0.37 - 0.39
KB063	0.46 - 0.52	0.40 - 0.47
KB071	0.53 - 0.59	0.48 - 0.56
KB081	0.60 - 0.66	0.57 - 0.63
KB092	0.67 - 0.73	0.64 - 0.69
KB103	0.74 - 0.81	0.70 - 0.77
KB116	0.82 - 0.91	0.78 - 0.86
KB130	0.92 - 1.02	0.87 - 0.96
KB145	1.03 - 1.14	0.97 - 1.11
KB167	1.15 - 1.29	1.12 - 1.23
KB188	1.20 - 1.42	1.24 - 1.37
KB210	1.43 - 1.64	1.38 - 1.55
KB240	1.65 - 1.80	1.56 - 1.75
KB265	1.81 - 2.10	1.76 - 1.92
KB300	2.11 - 2.30	1.93 - 2.16
KB330	2.31 - 2.61	2.17 - 2.50
KB370	2.62 - 2.99	2.51 - 2.81
KB415	3.00 - 3.37	2.82 - 3.16
KB485	3.38 - 3.94	3.17 - 3.40
KB550	3.95 - 4.24	3.41 - 3.76
KB625	4.25 - 4.54	3.77 - 4.00
KB690	4.55 - 5.29	4.01 - 4.68
KB770	5.30 - 5.73	4.69 - 5.18
KB820	5.74 - 6.35	5.19 - 5.51
KB910	6.36 - 7.08	5.52 - 6.19
KB102	7.09 - 7.83	6.20 - 7.12
KB115	7.84 - 8.47	7.13 - 8.15
KB128	8.48 - 9.83	8.16 - 8.60
KB014	9.84 - 10.5	8.61 - 9.21
KB155	10.6 - 11.4	9.22 - 10.1
KB175	11.5 - 12.8	10.2 - 11.2
KB195	12.9 - 13.9	11.3 - 12.0
KB022	14.0 - 16.1	—
KB025	16.2 - 18.0	—
SIZE 1 & 1P	SIZE 1 & 1P	SIZE 1 & 1P
KB195	—	11.3 - 12.1
KB022	—	12.2 - 13.6
KB025	16.2 - 17.6	13.7 - 15.3
KB280	17.7 - 20.6	15.4 - 17.3
KB032	20.7 - 23.1	17.4 - 19.1
KB036	23.2 - 26.0	19.2 - 21.7
KB040	—	21.8 - 24.2
KB045	—	24.3 - 26.0
SIZE 1P	SIZE 1P	SIZE 1P
KB036	23.2 - 27.1	—
KB040	27.2 - 29.2	—
KB045	29.3 - 33.0	—
KB050	33.1 - 36.0	—

MODIFICATIONS	
SUFFIX NUMBER	DESCRIPTION
KIT-251	100 amp ground lug
AO	Aux. contact NO only
AC	Aux. contact NC only
SU-2	Hinge-9 Installed
SU3B-4X	Drain & Breather installed TYPE 4X
SU3B-4XSS	Drain & Breather installed TYPE 4X SS
B7SPNPT	Change Std. conduit size and location
SU9	Special paint finish
SU14	Fungus proofing of enclosures



B7MSN HEATER SELECTIONS CUTLER-HAMMER							
CATALOG NUMBER	MOTOR FULL-LOAD AMPS @ 40°C		CUTLER-HAMMER CODEMARK	CATALOG NUMBER	MOTOR FULL-LOAD AMPS @ 40°C		CUTLER-HAMMER CODEMARK
	SINGLE PHASE	THREE PHASE			SINGLE PHASE	THREE PHASE	
YOWEA200-FH03	.28-.29	.25-.26	FH03	YOWEA200-FH31	4.41-4.81	3.87-4.22	FH31
YOWEA200-FH04	.30-.33	.27-.29	FH04	YOWEA200-FH32	4.82-5.26	4.23-4.61	FH32
YOWEA200-FH05	.34-.36	.30-.32	FH05	YOWEA200-FH33	5.27-5.74	4.62-5.03	FH33
YOWEA200-FH06	.37-.40	.33-.35	FH07	YOWEA200-FH34	5.75-6.25	5.04-5.49	FH34
YOWEA200-FH07	.41-.45	.36-.39	FH07	YOWEA200-FH35	6.27-6.83	5.50-5.99	FH35
YOWEA200-FH08	.46-.50	.40-.44	FH08	YOWEA200-FH36	6.84-7.45	6.00-6.53	FH36
YOWEA200-FH09	.51-.56	.45-.49	FH09	YOWEA200-FH37	7.46-8.11	6.54-7.11	FH37
YOWEA200-FH10	.57-.63	.50-.55	FH10	YOWEA200-FH38	8.12-8.81	7.12-7.73	FH38
YOWEA200-FH11	.64-.70	.56-.61	FH11	YOWEA200-FH39	8.82-9.58	7.74-8.40	FH39
YOWEA200-FH12	.71-.78	.62-.68	FH12	YOWEA200-FH40	9.59-10.40	8.41-9.12	FH40
YOWEA200-FH13	.79-.86	.69-.75	FH13	YOWEA200-FH41	10.41-11.3	9.13-9.89	FH41
YOWEA200-FH14	.87-.95	.76-.83	FH14	YOWEA200-FH42	11.4-12.2	9.9-10.7	FH42
YOWEA200-FH15	.96-1.04	.84-.91	FH15	YOWEA200-FH43	12.3-13.5	10.8-11.8	FH43
YOWEA200-FH16	1.05-1.14	.92-1.00	FH16	YOWEA200-FH44	13.6-14.9	11.9-13.0	FH44
YOWEA200-FH17	1.15-1.25	1.01-1.10	FH17	YOWEA200-FH45	15.0-16.0	13.1-14.0	FH45
YOWEA200-FH18	1.26-1.39	1.11-1.22	FH18	YOWEA200-FH46	16.1-17.1	14.1-15.0	FH46
YOWEA200-FH19	1.40-1.54	1.23-1.35	FH19	YOWEA200-FH47	17.2-18.3	15.1-16.1	FH47
YOWEA200-FH20	1.55-1.71	1.36-1.50	FH20	YOWEA200-FH48	18.4-19.7	16.2-17.3	FH48
YOWEA200-FH21	1.72-1.89	1.51-1.66	FH21	YOWEA200-FH49	19.8-21.2	17.4-18.6	FH49
YOWEA200-FH22	1.90-2.10	1.67-1.84	FH22	YOWEA200-FH50	21.3-22.8	18.7-20.0	FH50
YOWEA200-FH23	2.11-2.32	1.85-2.03	FH23	YOWEA200-FH51	22.9-24.5	20.1-21.5	FH51
YOWEA200-FH24	2.33-2.54	2.04-2.23	FH24	YOWEA200-FH52	24.6-26.4	21.6-23.2	FH52
YOWEA200-FH25	2.55-2.79	2.24-2.45	FH25	YOWEA200-FH53	26.5-28.5	23.2-25.0	FH53
YOWEA200-FH26	2.80-3.07	2.46-2.69	FH26	YOWEA200-FH54	28.6-30.8	25.1-26.8	FH54
YOWEA200-FH27	3.08-3.36	2.70-2.95	FH27	YOWEA200-FH55	30.9-33.3	—	FH55
YOWEA200-FH28	3.37-3.68	2.96-3.23	FH28	YOWEA200-FH56	33.4-36.0	—	FH56
YOWEA200-FH29	3.69-4.03	3.24-3.53	FH29	YOWEA200-FH57	36.1-38.9	—	FH57
YOWEA200-FH30	4.04-4.40	3.54-3.86	FH30				

Select heater element based on motor nameplate listed full load amps. Trip rating of element is 125% of motor minimum F.L.A. listed for the element



XMSW

Motor Starter

NEC / CEC Certifications

Class I, Groups C & D

Class I, Zone 1 IIB+H2 Gb

Class II, Groups E, F & G

Class III

Type 3R

Ta=-25°C to +40°C

UL File E12379

FEATURES-SPECIFICATIONS

CUTLER HAMMER/EATON B100 STARTERS FULL VOLTAGE, NON-REVERSING SINGLE AND POLYPHASE

Features

- Rectangular bolted cover design provides for attractive, compact, uniform installations
- Enclosure and external handle are diecast copper-free (less than 0.4%) aluminum alloy
- Cast "ON," "OFF," "TRIPPED" markings on cover align with external handle and provide clear indication of enclosed starter condition
- External handle is a vault type with standard provisions for locking in the "OFF" position with up to three pad-locks. Provision for locking in "ON" position is available as factory modification (add suffix SU-40 to catalog number).
- Two cast 1" NPT conduit hubs with integral pipe stop, one top and one bottom, are standard on all assemblies

Materials

- Enclosures: Copper-free aluminum (less than 1/10 of 1% copper content)
- Cover Bolts: 316 Stainless Steel

Electrical Rating

- Starter sizes 0, 1, 1½
- Two pole, single phase; three pole, polyphase
- Maximum 10 HP, 600 Volts AC



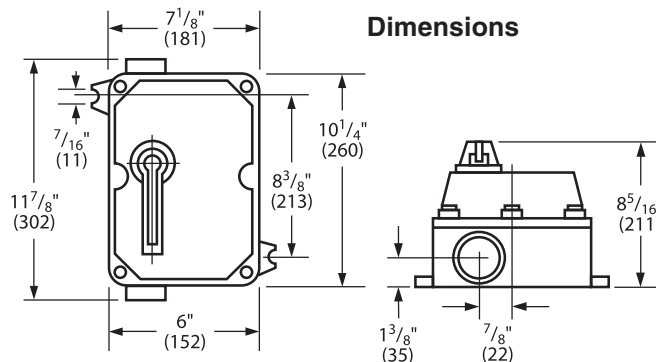
STARTERS

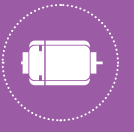
XMSW SERIES

XMSW MANUAL LINE STARTERS						
NEMA SIZE	NUMBER OF POLE SIZE	MAXIMUM HORSEPOWER			CATALOG NUMBER	
		120 VAC	208-240 VAC	480-600 VAC	WITH STARTER	ENCLOSURE ONLY
0	2-POLE; 1Ø, A C	1	2	—	XMSW-0BT	XMSW-00T
0	3-POLE; 3Ø, A C	2	3	5	XMSW-0CT	
1	2-POLE; 1Ø, A C	2	3	—	XMSW-1BT	
1	3-POLE; 3Ø, A C	3	7-1/2	10	XMSW-1CT	
1-1/2	2-POLE; 1Ø, A C	3	5	—	XMSW-DBT	

Heaters not included. If heaters are required order as separate item by catalog number, three phase starters require three heaters. Single phase starters require two heaters. Three pole starters may be used on two-phase four-wire circuits by running one wire direct to motor.

HEATER TABLE FOR XMSW SERIES MANUAL LINE STARTERS							
CATALOG NUMBER	MOTOR FULL-LOAD AMPS @ 40°C		CUTLER-HAMMER	CATALOG NUMBER	MOTOR FULL-LOAD AMPS @ 40°C		CUTLER-HAMMER
	SINGLE PHASE	THREE PHASE			SINGLE PHASE	THREE PHASE	
YOWEA200-FH03	.28-.29	.25-.26	FH03	YOWEA200-FH31	4.41-4.81	3.87-4.22	FH31
YOWEA200-FH04	.30-.33	.27-.29	FH04	YOWEA200-FH32	4.82-5.26	4.23-4.61	FH32
YOWEA200-FH05	.34-.36	.30-.32	FH05	YOWEA200-FH33	5.27-5.74	4.62-5.03	FH33
YOWEA200-FH06	.37-.40	.33-.35	FH07	YOWEA200-FH34	5.75-6.25	5.04-5.49	FH34
YOWEA200-FH07	.41-.45	.36-.39	FH07	YOWEA200-FH35	6.27-6.83	5.50-5.99	FH35
YOWEA200-FH08	.46-.50	.40-.44	FH08	YOWEA200-FH36	6.84-7.45	6.00-6.53	FH36
YOWEA200-FH09	.51-.56	.45-.49	FH09	YOWEA200-FH37	7.46-8.11	6.54-7.11	FH37
YOWEA200-FH10	.57-.63	.50-.55	FH10	YOWEA200-FH38	8.12-8.81	7.12-7.73	FH38
YOWEA200-FH11	.64-.70	.56-.61	FH11	YOWEA200-FH39	8.82-9.58	7.74-8.40	FH39
YOWEA200-FH12	.71-.78	.62-.68	FH12	YOWEA200-FH40	9.59-10.40	8.41-9.12	FH40
YOWEA200-FH13	.79-.86	.69-.75	FH13	YOWEA200-FH41	10.41-11.3	9.13-9.89	FH41
YOWEA200-FH14	.87-.95	.76-.83	FH14	YOWEA200-FH42	11.4-12.2	9.9-10.7	FH42
YOWEA200-FH15	.96-1.04	.84-.91	FH15	YOWEA200-FH43	12.3-13.5	10.8-11.8	FH43
YOWEA200-FH16	1.05-1.14	.92-1.00	FH16	YOWEA200-FH44	13.6-14.9	11.9-13.0	FH44
YOWEA200-FH17	1.15-1.25	1.01-1.10	FH17	YOWEA200-FH45	15.0-16.0	13.1-14.0	FH45
YOWEA200-FH18	1.26-1.39	1.11-1.22	FH18	YOWEA200-FH46	16.1-17.1	14.1-15.0	FH46
YOWEA200-FH19	1.40-1.54	1.23-1.35	FH19	YOWEA200-FH47	17.2-18.3	15.1-16.1	FH47
YOWEA200-FH20	1.55-1.71	1.36-1.50	FH20	YOWEA200-FH48	18.4-19.7	16.2-17.3	FH48
YOWEA200-FH21	1.72-1.89	1.51-1.66	FH21	YOWEA200-FH49	19.8-21.2	17.4-18.6	FH49
YOWEA200-FH22	1.90-2.10	1.67-1.84	FH22	YOWEA200-FH50	21.3-22.8	18.7-20.0	FH50
YOWEA200-FH23	2.11-2.32	1.85-2.03	FH23	YOWEA200-FH51	22.9-24.5	20.1-21.5	FH51
YOWEA200-FH24	2.33-2.54	2.04-2.23	FH24	YOWEA200-FH52	24.6-26.4	21.6-23.2	FH52
YOWEA200-FH25	2.55-2.79	2.24-2.45	FH25	YOWEA200-FH53	26.5-28.5	23.2-25.0	FH53
YOWEA200-FH26	2.80-3.07	2.46-2.69	FH26	YOWEA200-FH54	28.6-30.8	25.1-26.8	FH54
YOWEA200-FH27	3.08-3.36	2.70-2.95	FH27	YOWEA200-FH55	30.9-33.3	—	FH55
YOWEA200-FH28	3.37-3.68	2.96-3.23	FH28	YOWEA200-FH56	33.4-36.0	—	FH56
YOWEA200-FH29	3.69-4.03	3.24-3.53	FH29	YOWEA200-FH57	36.1-38.9	—	FH57
YOWEA200-FH30	4.04-4.40	3.54-3.86	FH30				





EXB70

Empty Enclosure

NEC / CEC Certifications

Class I, Groups B, C & D

Class I, Zone 1 IIB+H2

Class II, Groups E, F & G

Class III

Type 3, 4, 4X

Ta = -0°C to +50°C (UL & CSA)



Files E83969



File LR11716 - 1723354

ATEX Certificate



Ex d II+H2 T6

Ex tD A21 IP66 T80°C

Ta = -0°C to +50°C

PTB 07ATEX 1024

IEC Ex Certificate

Ex db IIB+H2 Gb

Ex tb IIIC Db IP66 T85°C

Ta = -0°C to +50°C

IECEX QPS 17.0014X

FEATURES-SPECIFICATIONS

The EXB70 Series is offered with the ABB brand AF contactor / TF overload relay, XT circuit breakers and motor circuit protectors.

Features

- Copper free cast aluminum construction. High in strength, lighter in weight, corrosion resistant
- Stainless steel metric cover bolts
- Cover o-ring supplied as standard for TYPE 4X and IP66 applications.
- Starters supplied with hinged covers as standard
- Bi-directional bolt on mounting lugs made from a ductile aluminum alloy which will adjust to irregular surfaces without causing damage to the casting.
- Starter only supplied as standard with a manual reset button and two future control operator openings with plugs.
- Combination starter supplied as standard with a manual reset button, through the door circuit breaker handle and two future control operator openings with plugs.
- Each starter comes with three NPT conduit openings in both the top and in the bottom allowing for power, control and drain/breathers.
- The EXB70 can be ordered with custom sizes and quantity of holes both in NPT and metric.
- Additional control operators can be supplied along with addition future operator openings.

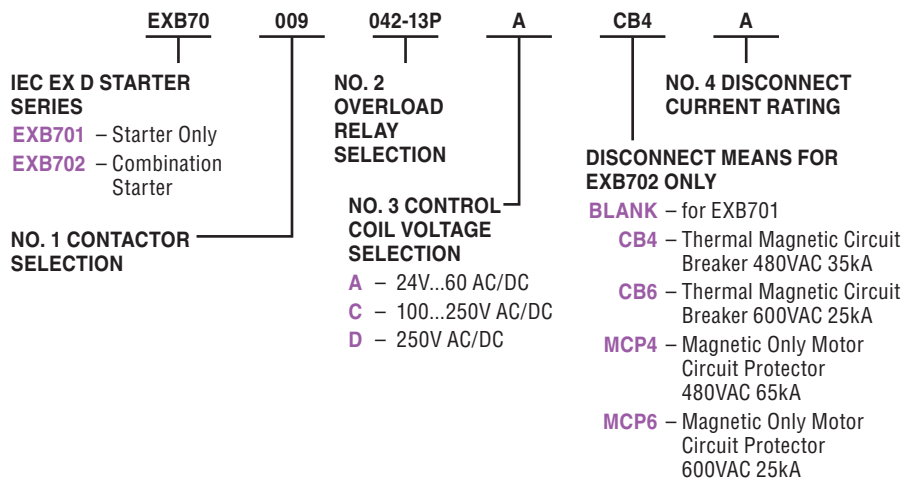
Materials

- **BOX & COVER:** Cooper free aluminum (less than 1/10 of 1%)
- **FINISH:** Aluminum lacquer paint – Grey
- **O-RING GASKET MATERIAL:** Nitrile (BUNA-N) compound
- Stainless steel, A2, cover screw.
- **CB/MCP HANDLE** – Copper free aluminum
- **RESET OPERATOR** – Thermoplastic polyester button molded onto stainless steel shaft. Aluminum shroud, black anodized.

Electrical Rating

- Single Speed Full Voltage Non-Reversing
- 3 Phase 600VAC/690VAC 50/60Hz Coil Voltage
- 24V AC/DC through 500V AC/DC

CATALOG LOGIC





STARTERS EXB70 SERIES

No. 1 – Contactor Selection

UL / CSA RATINGS	009		012		016		026		030		040		052		065		096		116		140	
	HP	AMPS	HP	AMPS	HP	AMPS	HP	AMPS	HP	AMPS	HP	AMPS	HP	AMPS	HP	AMPS	HP	AMPS	HP	AMPS	HP	AMPS
120 VAC - 1Phase	0.75	13.8	1	16	1.5	20	2	24	2	24	3	34										
240 VAC - 1Phase	1.5	10	2	12	3	17	3	17	5	28	7.5	40										
200 - 208 VAC - 3Phase	2	7.8	3	11	5	17.5	7.5	25.3	10	32.2	10	32.2	15	48.3	20	62.1	30	92	30	92	40	120
220 - 240 VAC - 3Phase	2	6.8	3	9.6	5	15.2	7.5	22	10	28	15	42	20	54	25	68	30	80	40	104	50	130
440 - 480 VAC - 3Phase	5	7.6	7.5	11	10	14	15	21	20	27	30	40	40	52	50	65	60	77	75	96	100	124
550 - 600 VAC - 3Phase	7.5	9	10	11	10	17	20	22	25	27	40	41	50	52	60	62	75	77	100	99	125	125
IEC RATINGS	KW	AMPS	KW	AMPS	KW	AMPS	KW	AMPS	KW	AMPS	KW	AMPS	KW	AMPS	KW	AMPS	KW	AMPS	KW	AMPS	KW	AMPS
220 - 240 VAC - 3Phase	2.2	9	3	12	4	18	6.5	26	9	33	11	40	15	53	18.5	65	25	96	30	116	37	140
380 - 400 VAC - 3Phase	4	9	5.5	12	7.5	18	11	26	15	32	18.5	40	22	53	30	65	45	96	55	116	75	140
415 VAC - 3Phase	4	9	5.5	12	9	18	11	26	15	32	22	40	30	53	37	65	55	96	55	116	75	140
440 VAC - 3Phase	4	9	5.5	12	9	18	15	26	18.5	32	22	40	30	53	37	65	55	96	75	116	90	140
500 VAC - 3Phase	5.5	9.5	7.5	12.5	9	15	15	23	18.5	28	22	35	30	45	37	55	55	80	75	110	90	130
690 VAC - 3Phase	5.5	7	7.5	9	9	10.5	15	17	18.5	21	22	25	30	35	37	39	55	57	55	65	75	80
See Overload Relay Selection Chart	042-										065-					096-			140-			

No. 2 – Overload Relay Selection

042-				065-			
SELECTION	AMP SETTING RANGE			SELECTION	AMP SETTING RANGE		
042- .13	0.10	to	0.13	065- 28	22.0	to	28.0
042- .17	0.13	to	0.17	065- 33	25.0	to	33.0
042- .23	0.17	to	0.23	065- 40	30.0	to	40.0
042- .31	0.23	to	0.31	065- 47	36.0	to	47.0
042- .41	0.31	to	0.41	065- 53	44.0	to	53.0
042- .55	0.41	to	0.55	065- 60	50.0	to	60.0
042- .74	0.55	to	0.74	065- 67	57.0	to	67.0
042- 1.0	0.74	to	1.00	096-			
042- 1.3	1.00	to	1.30				
042- 1.7	1.30	to	1.70	SELECTION	AMP SETTING RANGE		
042- 2.3	1.70	to	2.30	096- 51	40.0	to	51.0
042- 3.1	2.30	to	3.10	096- 60	48.0	to	60.0
042- 4.2	3.10	to	4.20	096- 68	57.0	to	68.0
042- 5.7	4.20	to	5.70	096- 78	65.0	to	78.0
042- 7.6	5.70	to	7.60	096- 87	75.0	to	87.0
042- 10	7.60	to	10.0	096- 96	84.0	to	96.0
042- 13.0	10.0	to	13.0	140-			
042- 16.0	13.0	to	16.0				
042- 20.0	16.0	to	20.0	SELECTION	AMP SETTING RANGE		
042- 24.0	20.0	to	24.0	140- 90.0	66.0	to	90.0
042- 29.0	24.0	to	29.0	140- 110.0	80.0	to	110.0
042- 35.0	29.0	to	35.0	140- 135.0	100.0	to	135.0
				140- 142.0	110.0	to	142.0

No. 3 – Coil Voltage Code

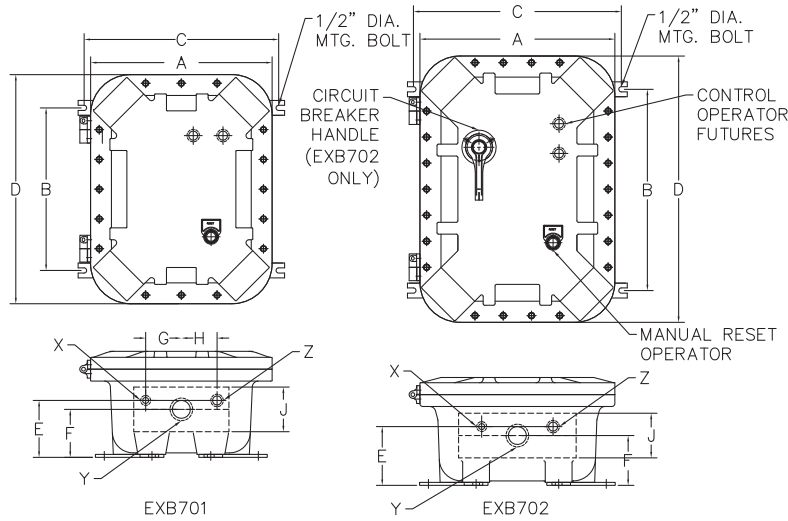
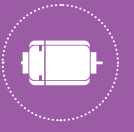
SELECTION	VAC	VDC
A	24 .. 60	24 .. 60
B	48 .. 130	48 .. 130
C	100 .. 250	100 .. 250
D	250 .. 500	250 .. 500

When contactors 009 through 030 are being used with a 24 to 60 VDC control supply voltage add suffix "-DC" to the end of the catalog logic.

No. 4 – BREAKER CODE – EXB702 ONLY

CIRCUIT BREAKER		MOTOR CIRCUIT PROTECTOR	
SELECTION	AMP	SELECTION	AMP
A	15	003	3
B	20	007	7
C	25	015	15
D	30	030	30
E	40	050	50
F	50	070	70
G	60	100	100
H	70	125	125
I	80	150	150
J	90	175	175
K	100	200	200
L	125	225	225
M	150	250	250
N	175		
O	200		
T	250		

STARTERS EXB70 SERIES



EXB70 DIMENSIONS

CATALOG NUMBER	TYPE	DIMENSIONS IN. (MM)										CONDUIT OPENINGS TOP & BOTTOM			WT. LBS (KG)
		A	B	C	D	E	F	G	H	J	X	Y	Z		
EXB701009 TO EXB701030	Starter Only	12.38 (314)	8 (203)	9.88 (251)	14.32 (364)	5.04 (128)	3.64 (92)	2.38 (60)	2.38 (60)	9.82 (249)	1/2 NPT	1-1/2 NPT	3/4 NPT	41 (18)	
EXB701040 TO EXB701096	Starter Only	15.25 (387)	8.94 (227)	12.94 (329)	19.25 (489)	4.92 (125)	4.04 (103)	3 (76)	3 (76)	10.4 (264)	1/2 NPT	2 NPT	3/4 NPT	88 (39)	
EXB701140	Starter Only	16.38 (416)	18.88 (479)	14.94 (379)	28.38 (721)	7.1 (180)	5.19 (132)	3.94 (100)	3.94 (100)	12.82 (325)	1/2 NPT	3 NPT	3/4 NPT	173 (78)	
EXB702009 TO EXB702030	Combination	15.25 (387)	8.94 (227)	12.94 (329)	19.25 (489)	4.92 (125)	4.04 (103)	3 (76)	3 (76)	10.9 (277)	1/2 NPT	1-1/2 NPT	3/4 NPT	88 (40)	
EXB702065	Combination	16.38 (416)	12.88 (327)	14.94 (379)	22.38 (568)	5 (127)	4.13 (105)	3.94 (100)	3.94 (100)	11.06 (280)	1/2 NPT	2 NPT	3/4 NPT	120 (54)	
EXB702096 TO EXB702140	Combination	21.25 (540)	19.38 (492)	19.38 (492)	29.25 (743)	7.34 (186)	5.47 (139)	6 (152)	6 (152)	14 (355)	1/2 NPT	3 NPT	3/4 NPT	273 (123)	

EXB70 MODIFICATION AND ACCESSORIES

OPTIONS	DESCRIPTIONS	OPTIONS	DESCRIPTIONS		
EXB7RPL-120	Pilot light 120V - Red	EXB7DBP	Double pushbutton Start - Stop	EXB7CT100-24	Control transformer 100VA 240/480VAC to 24VAC
EXB7GPL-120	Pilot light 120V - Green	EXB72SS	2 position selector switch On-Off	EXB7CT150-24	Control transformer 150VA 240/480VAC to 24VAC
EXB7APL-120	Pilot light 120V - Amber	EXB7SSHOA	3 position selector switch Hand-Off-Auto	EXB7CT200-24	Control transformer 200VA 240/480VAC to 24VAC
EXB7RPL-24	Pilot light 24V - Red	KB1BCEN	Breather installed	EXB7CT250-24	Control transformer 250VA 240/480VAC to 24VAC
EXB7GPL-24	Pilot light 24V - Green	KB1DCEN	Drain installed	EXB7CT300-24	Control transformer 300VA 240/480VAC to 24VAC
EXB7APL-24	Pilot light 24V - Amber	AUX	Auxiliary contact 1NO & 1NC	EXB72SH251	Space heater 25 watts 120 volts
EXB7LPBR	Illuminated pushbutton 120V - Red	EXB7TB	6 point terminal block	EXB72SH252	Space heater 25 watts 240 volts
EXB7LPBG	Illuminated pushbutton 120V - Green	EXB7SF	Epoxy powder paint	EXB72SH254	Space heater 25 watts 480 volts
EXB7LPBA	Illuminated pushbutton 120V - Amber	EXB7CT50	Control transformer 50 VA 240/480VAC to 120VAC	EXB72SH501	Space heater 50 watts 120 volts
EXB7LPBR-24	Illuminated pushbutton 24V - Red	EXB7CT75	Control transformer 75VA 240/480VAC to 120VAC	EXB72SH502	Space heater 50 watts 240 volts
EXB7LPBG-24	Illuminated pushbutton 24V - Green	EXB7CT100	Control transformer 100VA 240/480VAC to 120VAC	EXB72SH504	Space heater 50 watts 480 volts
EXB7LPBA-24	Illuminated pushbutton 24V - Amber	EXB7CT150	Control transformer 150VA 240/480VAC to 120VAC		
EXB7PLR220	Pilot light resistor 220/120V	EXB7CT200	Control transformer 200VA 240/480VAC to 120VAC		
EXB7PLR440	Pilot light resistor 440/120V	EXB7CT250	Control transformer 250VA 240/480VAC to 120VAC		
EXB7PLR550	Pilot light resistor 550/120V	EXB7CT300	Control transformer 300VA 240/480VAC to 120VAC		
EXB7PLXF220	Pilot transformer 220/120V	EXB7CT50-24	Control transformer 50 VA 240/480VAC to 24VAC		
EXB7PLXF440	Pilot transformer 440/120V	EXB7CT75-24	Control transformer 75VA 240/480VAC to 24VAC		



Hubbell Harsh & Hazardous Contact Details

United States

Killark / RigPower / Vantage Technology

2112 Fenton Logistics Park Blvd.
Fenton, Missouri 63026
Tel: (314) 531-0460
www.hubbell.com/killark
Email: killarkinfo@hubbell.com

Hawke International U.S.A.

2112 Fenton Logistics Park Blvd.
Fenton, Missouri 63026
Tel: (281) 445-7400 • Fax: (281) 445-7404
Email: killarkinfo@hubbell.com

Canada

Hubbell Canada LP

870 Brock Road South
Pickering, Ontario
Canada L1W 1Z8
Tel: (905) 839-1139 • Fax: (905) 839-9108
Email: infohclp@hubbell-canada.com

Mexico

Hubbell Products Mexico

Calle 5 Sur No. 105 Col. Parque
Ind. Toluca 2000
Toluca Edo. Mex. CP 50200
Tel: (01 52) 559-151-9999
Fax: (01 52) 559-151-9988/89
www.hubbell.com.mx
Email: info@hubbell.com.mx

United Kingdom

Hawke International

Oxford Street West, Ashton-under-Lyne
Lancashire OL7 0NA
Tel: +44 (0) 141 882 5555
Email: hhsales1@hubbell.com

Chalmit

388 Hillington Road
Glasgow G52 4BL Scotland
Tel: +44 (0) 141 882 5555
Email: hhsales1@hubbell.com

Middle East

Office #432, Bldg #6EB
Dubai Airport Free Zone (DAFZ) • PO Box 23529
Dubai UAE
Tel: +971 4 609 1222
Email: hhsales2@hubbell.com

Asia Pacific

130 Joo Seng Road, #03-02
Singapore 368357
Tel: +65 6282 2242 • Fax: +65 6284 4244
Email: hhsales2@hubbell.com

Korea

1212 (IS Biz. Tower), 427Bungil 57-2
Heungandae-Ro, Dongan-Gu
Anyang-Si, Kyunggi-Do
14059, Republic of Korea
Tel: +82 2 2063 3719 • Fax: +82 2 2603 7386
Email: hhsales2@hubbell.com

China

Room L, 18F, No. 720 Pudong Avenue,
Shanghai International Ocean and Finance Building,
Shanghai 200120 P.R. China
Tel: +86 (21) 3392 6550 ext. 317 • Fax +86 (21) 3392 6551
Email: hhsales2@hubbell.com

KILLARK®

© 2023 Hubbell Incorporated. All rights reserved.
2112 Fenton Logistics Park Blvd., Fenton, MO 63026 | 314-531-0460
www.hubbell.com/killark | killarkinfo@hubbell.com
LI_KIL_MULT_CAT_EN_00009



A proud member of the Hubbell family.



Hubbell Canada LP

870 Brock Road South
Pickering, Ontario L1W 1Z8
(905) 839-1138 | infohclp@hubbell-canada.com

Hubbell de Mexico

Av. Insurgentes Sur 1228, Piso 8
Col. Tlacoquemécatl Del Valle
C.P. 03200, Mexico D.F.
(01 52) 559-151-9999 | info@hubbell.com.mx